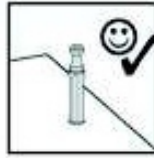
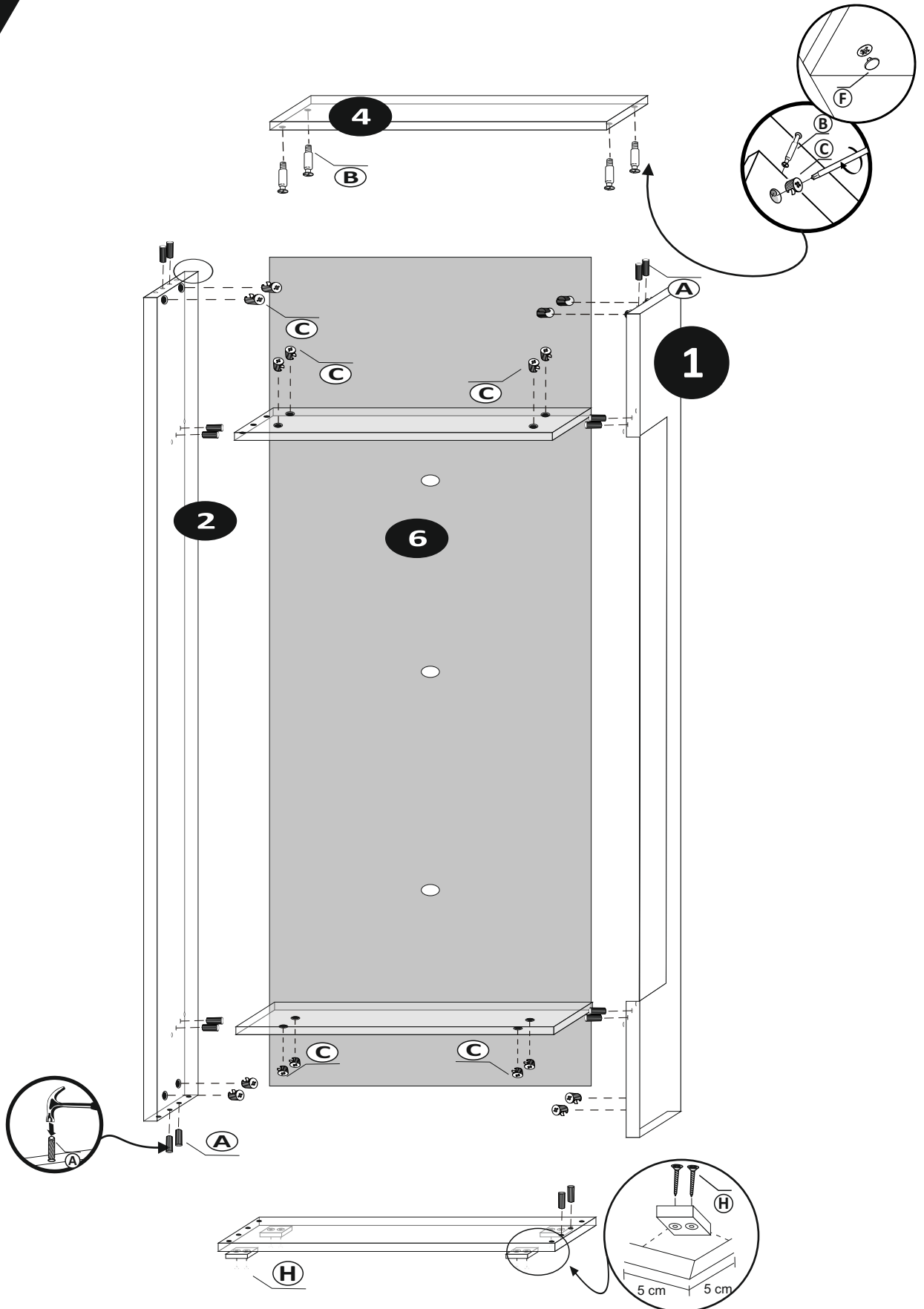
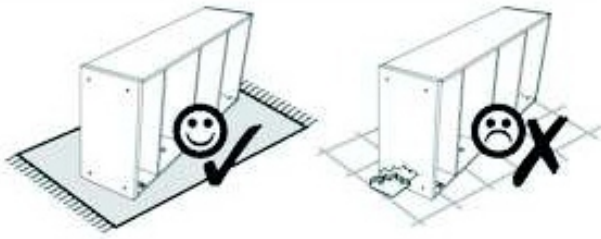


- | | | | | | | | | | | | | | |
|------|-----|------|-----|------|-----|------|-----|------|-----|------|-----|------|-----|
| x 8 | (H) | x 16 | (C) | x 16 | (B) | x 3 | (S) | x 10 | (M) | x 16 | (A) | x 12 | (E) |
| x 10 | (G) | x 16 | (F) | 3x16 | (N) | 4x30 | (L) | x 2 | (Y) | x 4 | (Z) | x 8 | (X) |
| | | | | x 4 | | x 2 | | x 2 | | x 4 | | x 1 | (L) |

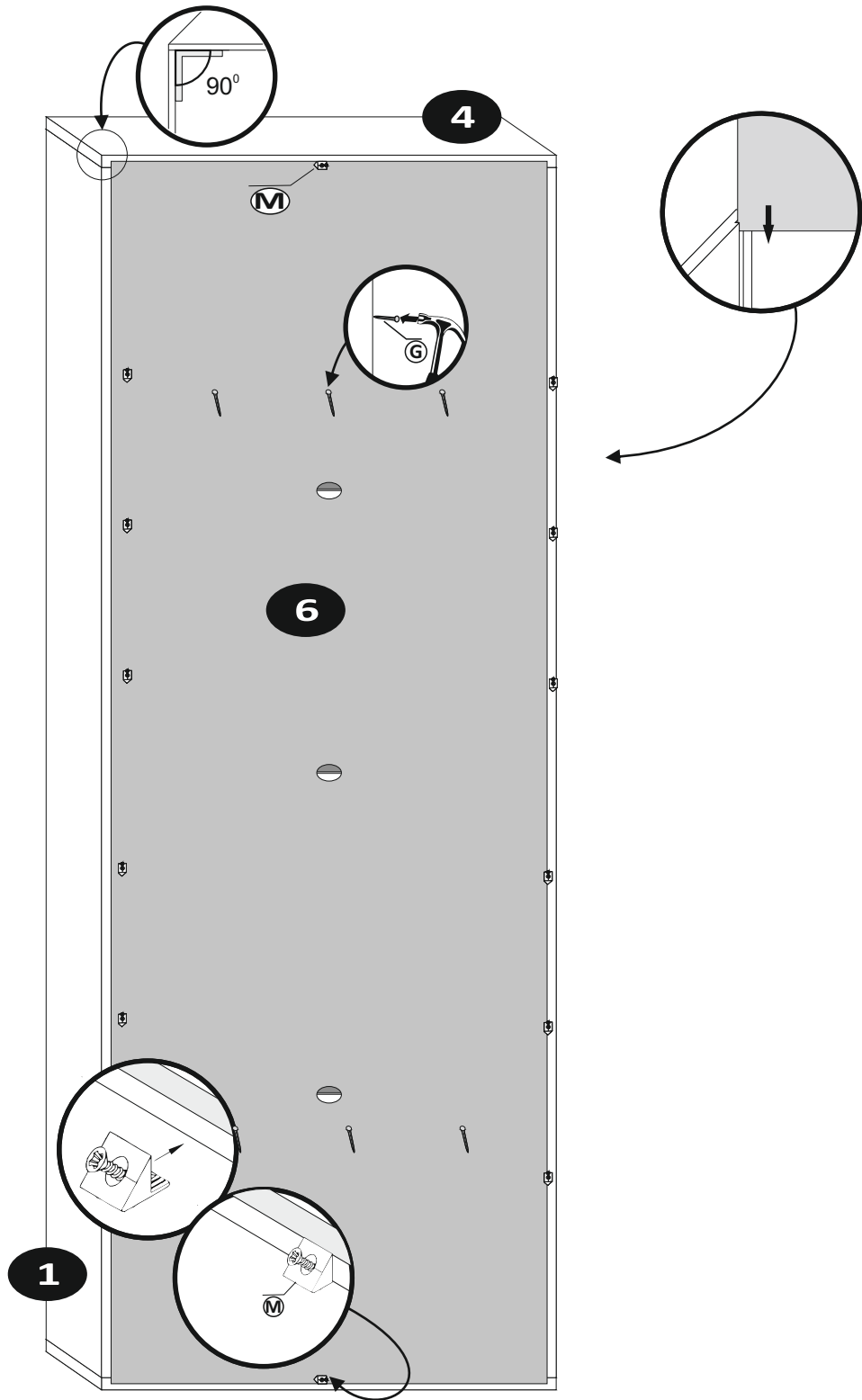


1



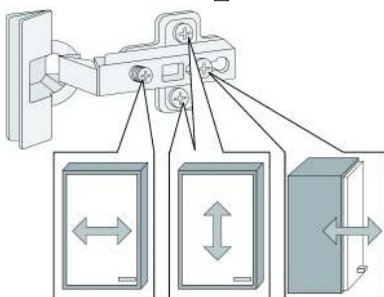
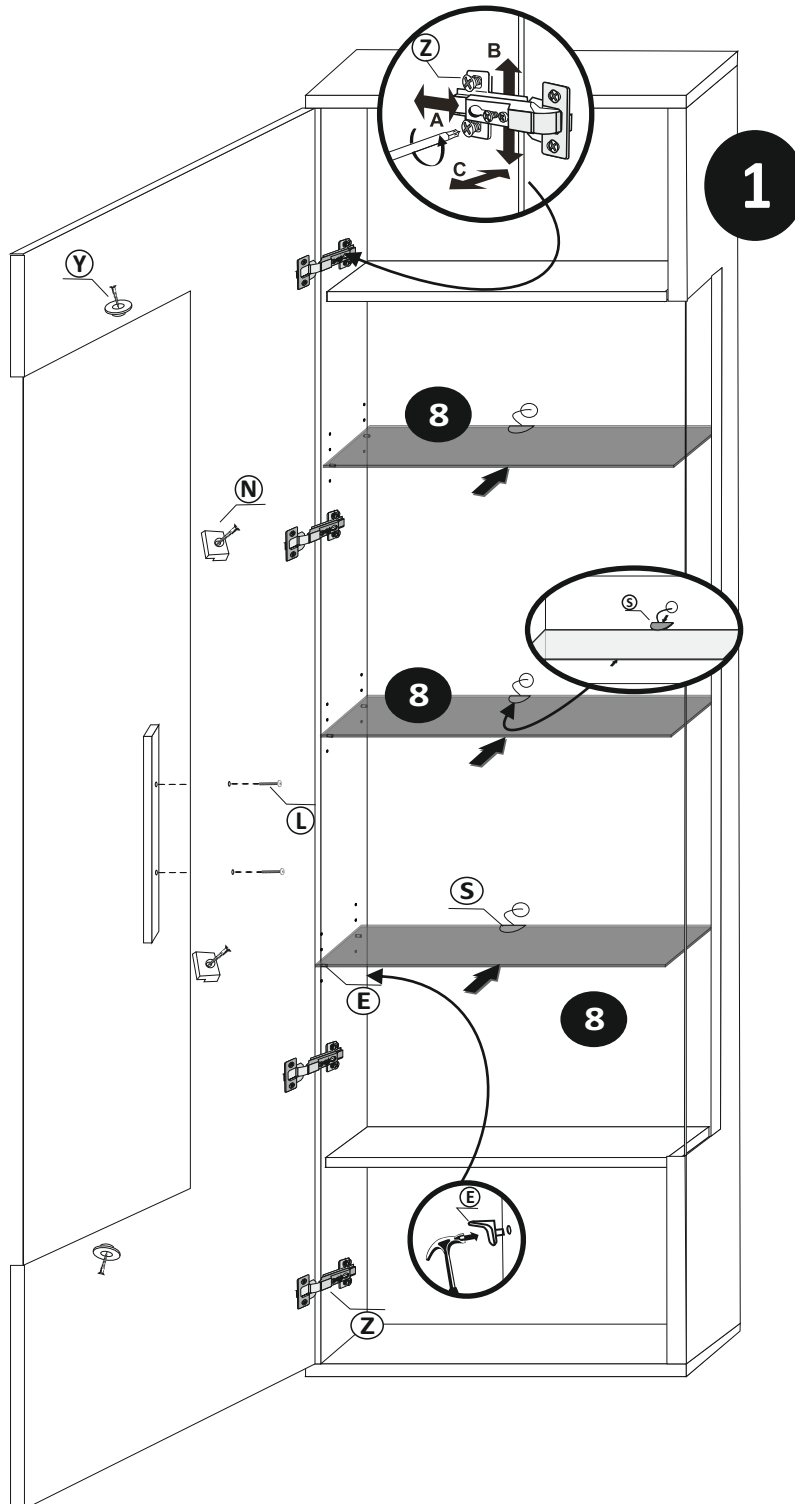


2





3



Türen einstellen (Scharniere justieren)
 Adjusting the doors (adjusting the hinges)
Deuren instellen (scharnieren afstellen)
 Nastawić drzwi (wyrównać zawiasy)
Kapıların ayarlanması (menteşelerin seviye ayarı)
 Регулировка дверей (регулировка шарнира)