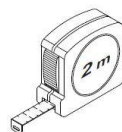
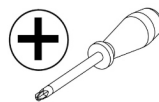
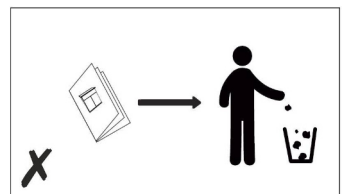
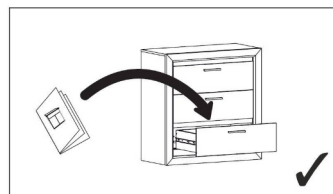
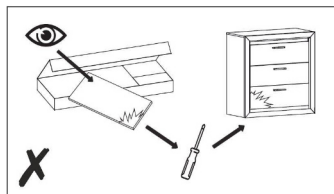
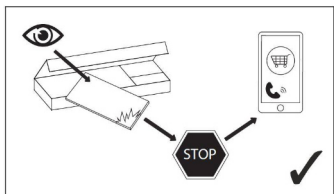
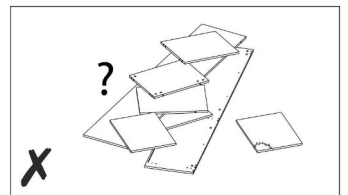
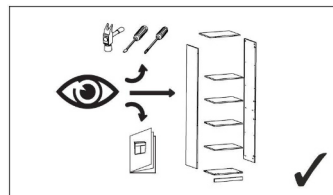
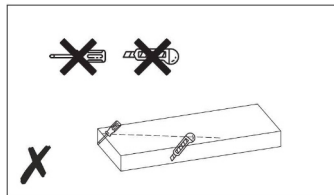
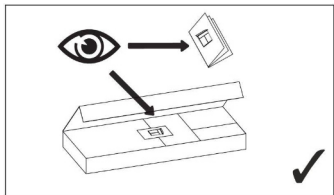
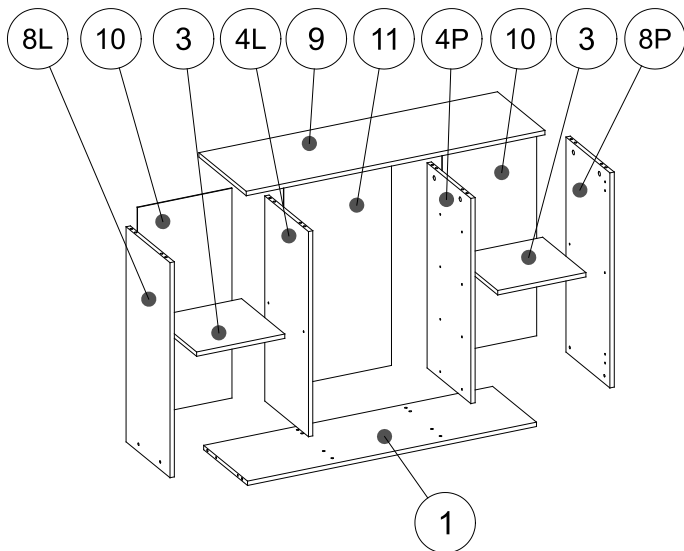


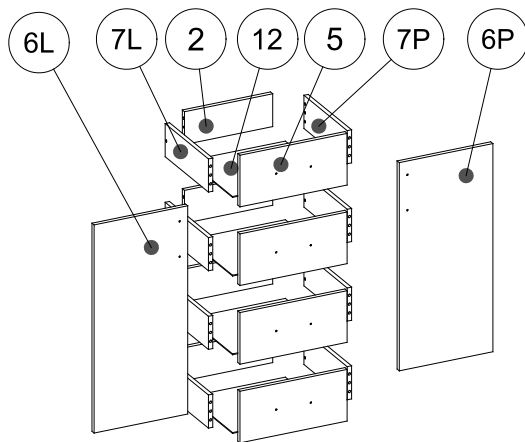
~120min



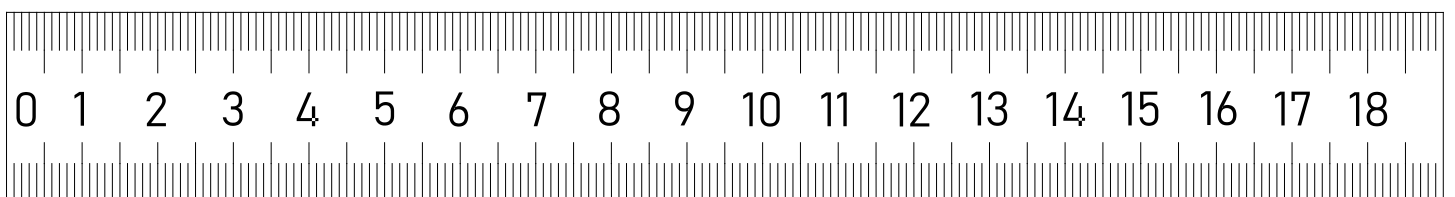
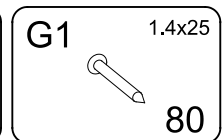
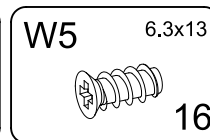
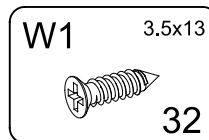
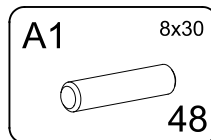
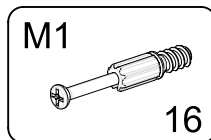
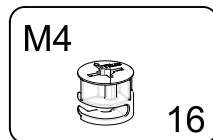
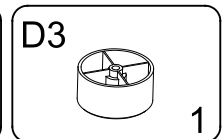
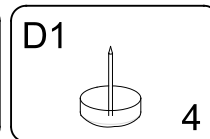
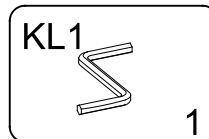
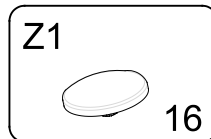
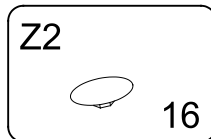
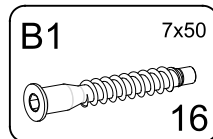
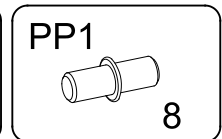
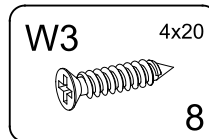
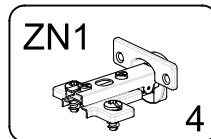
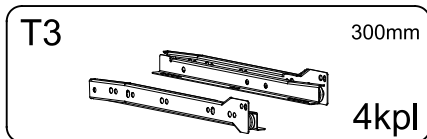
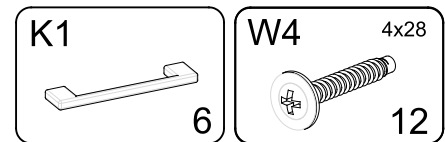




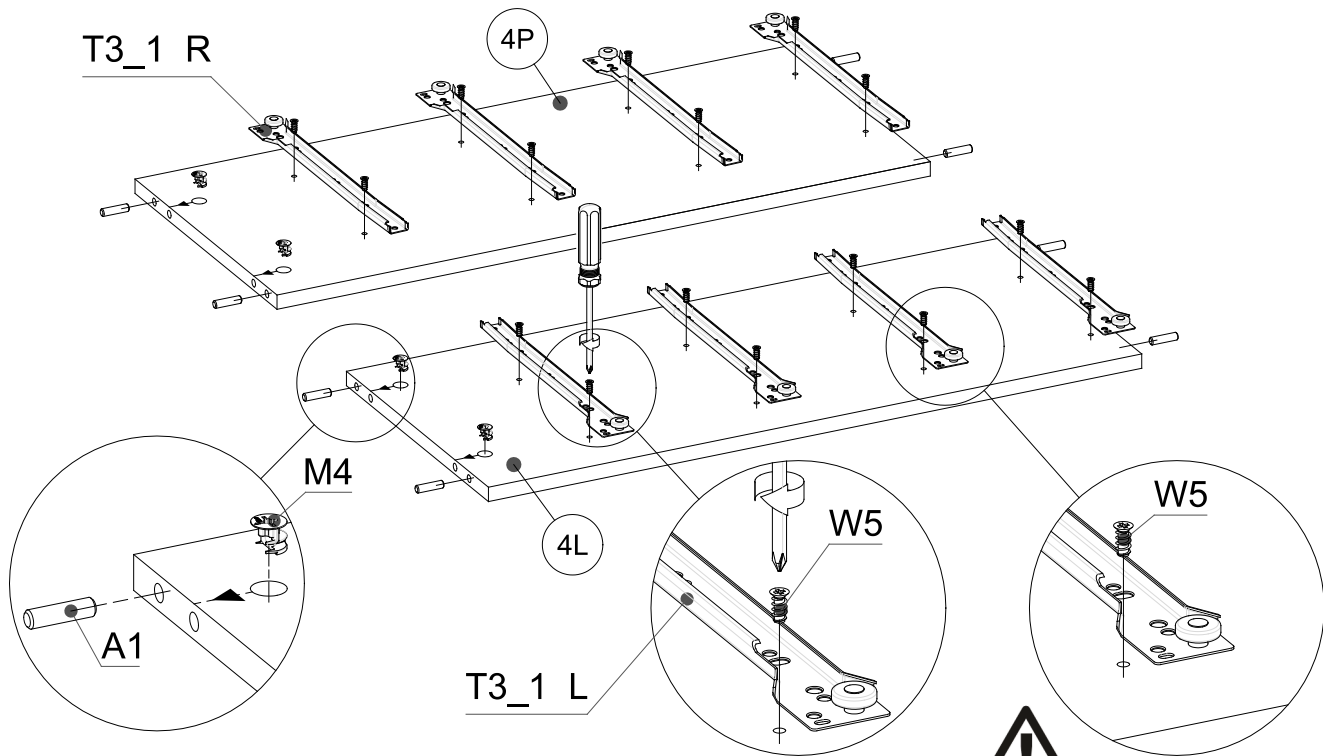
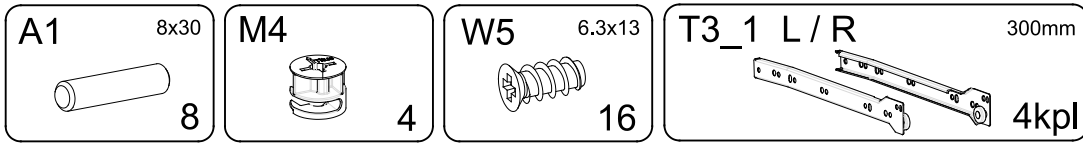
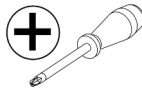
1	1068x324x16mm	1
2	326x119x16mm	4
3	326x320x16mm	2
7L	320x120x16mm	4
7P	320x120x16mm	4
8L	779x325x16mm	1
8P	779x325x16mm	1
9	1104x350x16mm	1
12	324x357x3mm	4



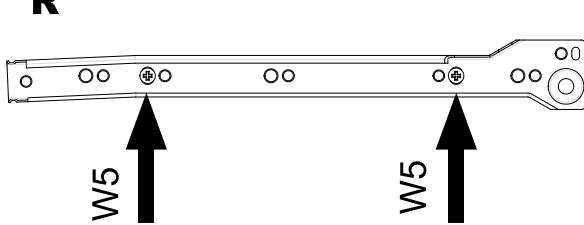
4L	743x323x16mm	1
4P	743x323x16mm	1
5	396x187x16mm	4
6L	754x346x16mm	1
6P	754x346x16mm	1
10	760x349x3mm	2
11	760x398x3mm	1



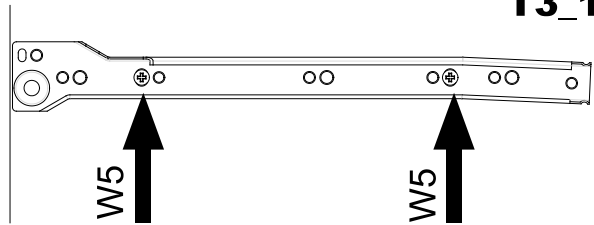
▶ 1



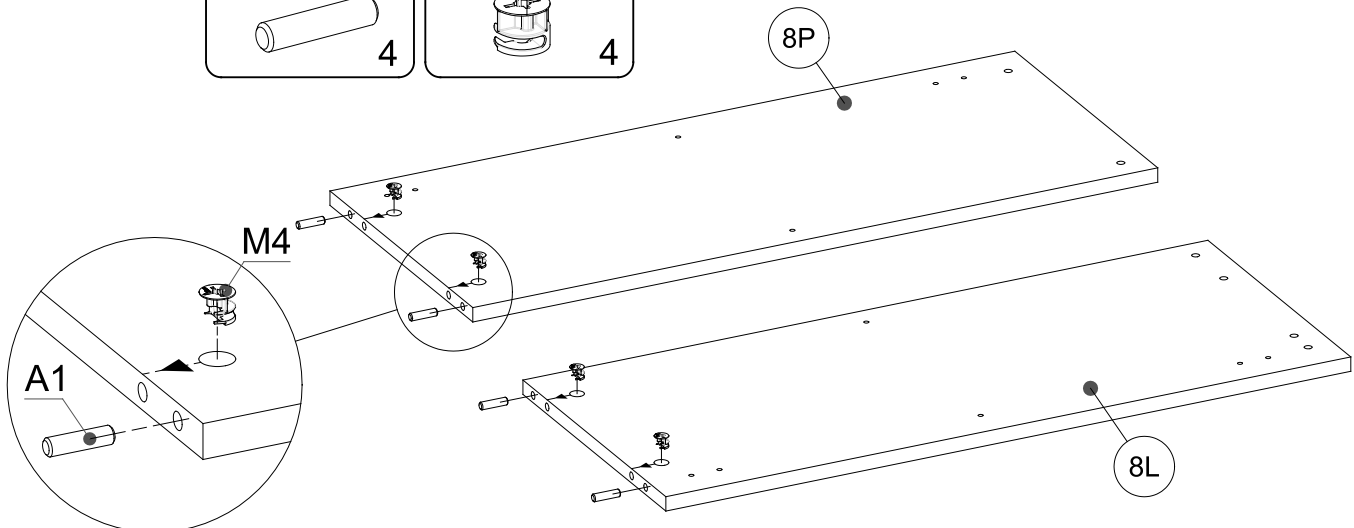
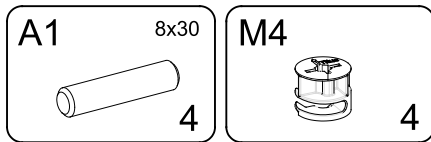
T3_1 R



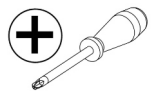
T3_1 L



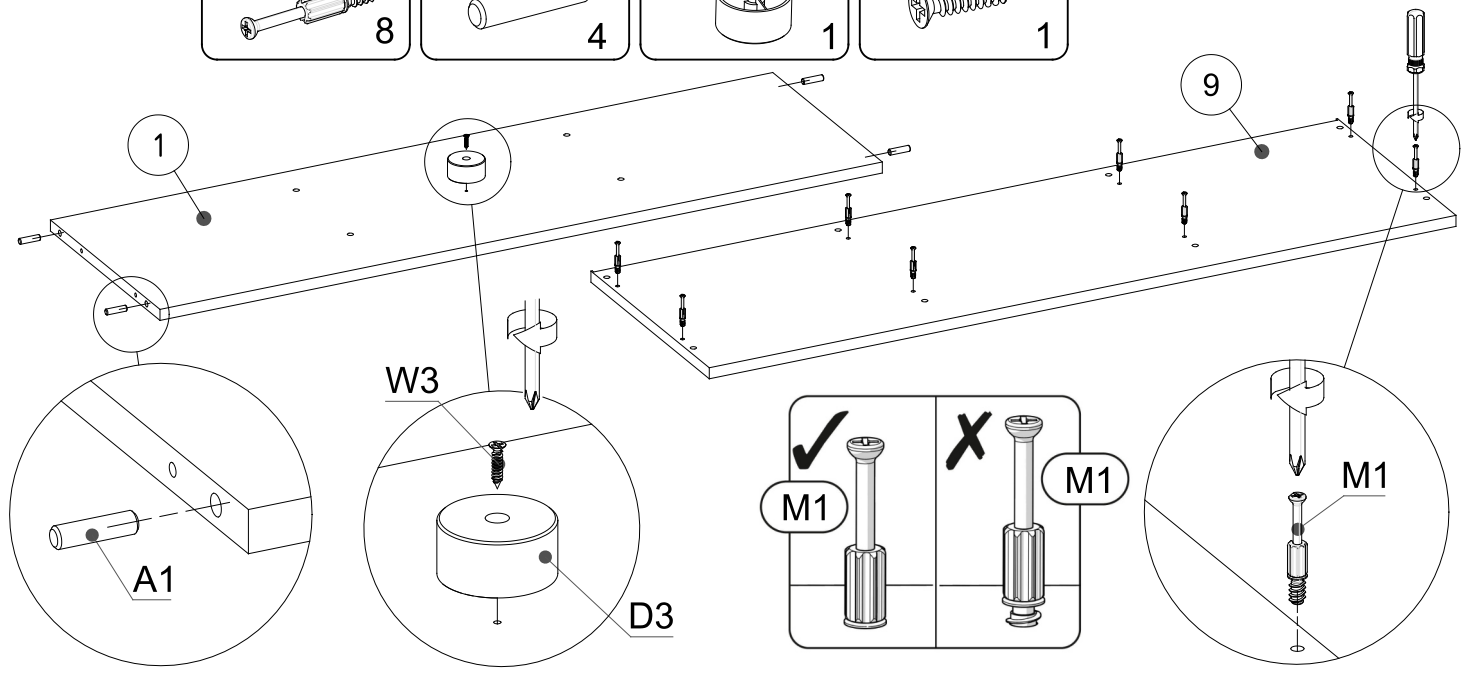
▶ 2



▶ 3

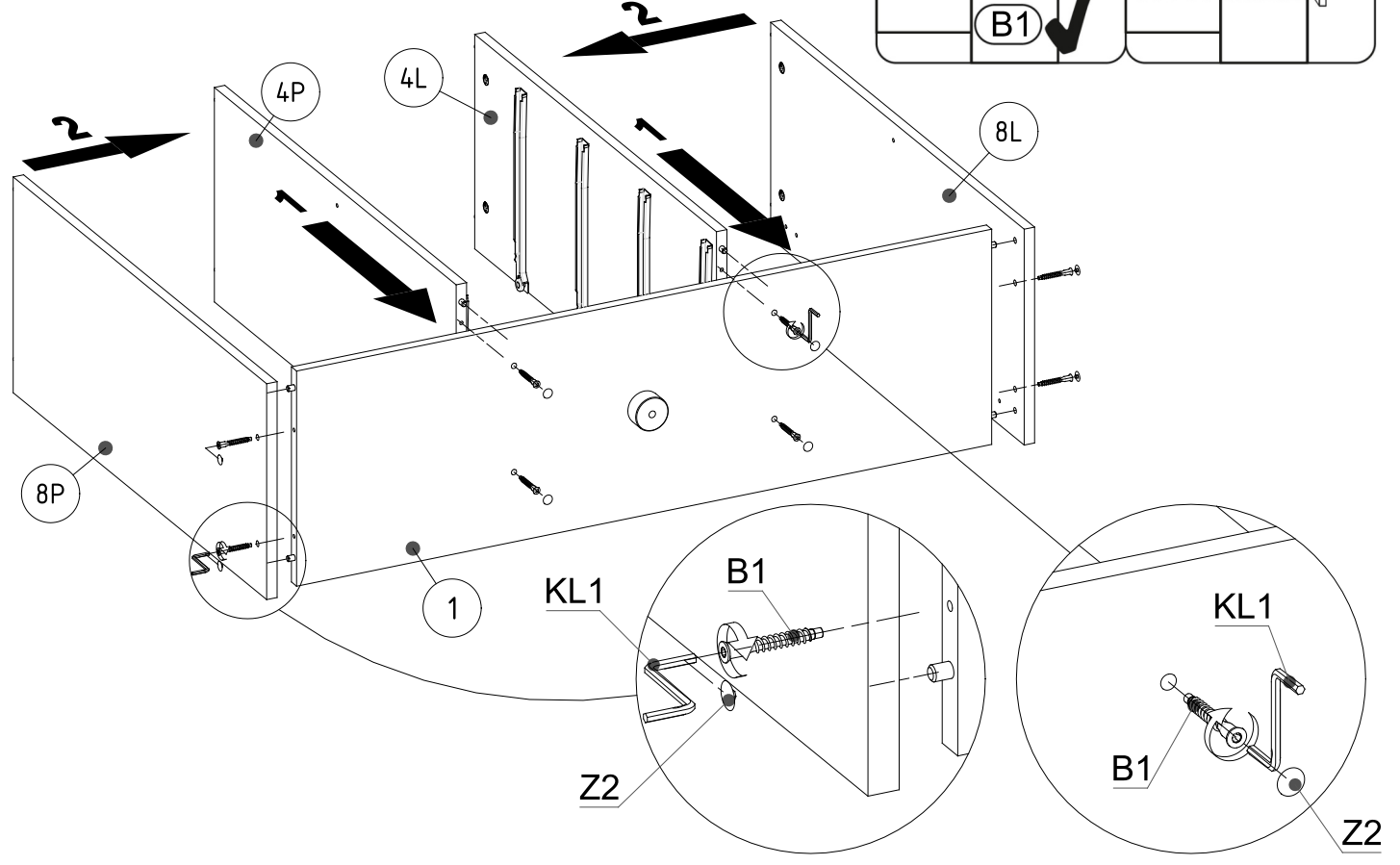
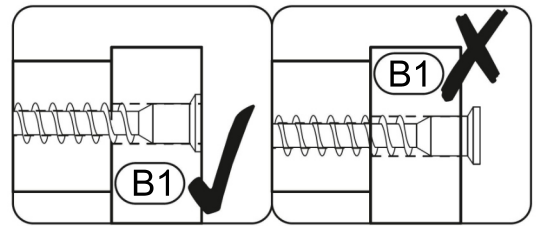


- M1 8
- A1 8x30 4
- D3 1
- W3 4x20 1

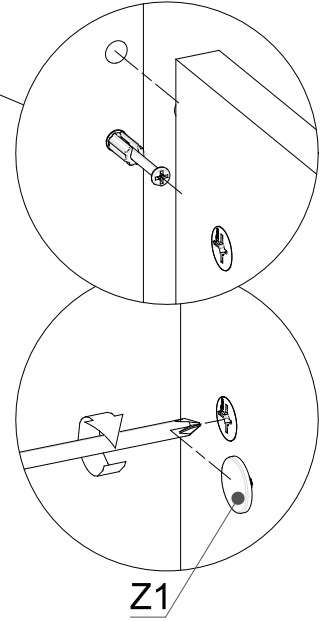
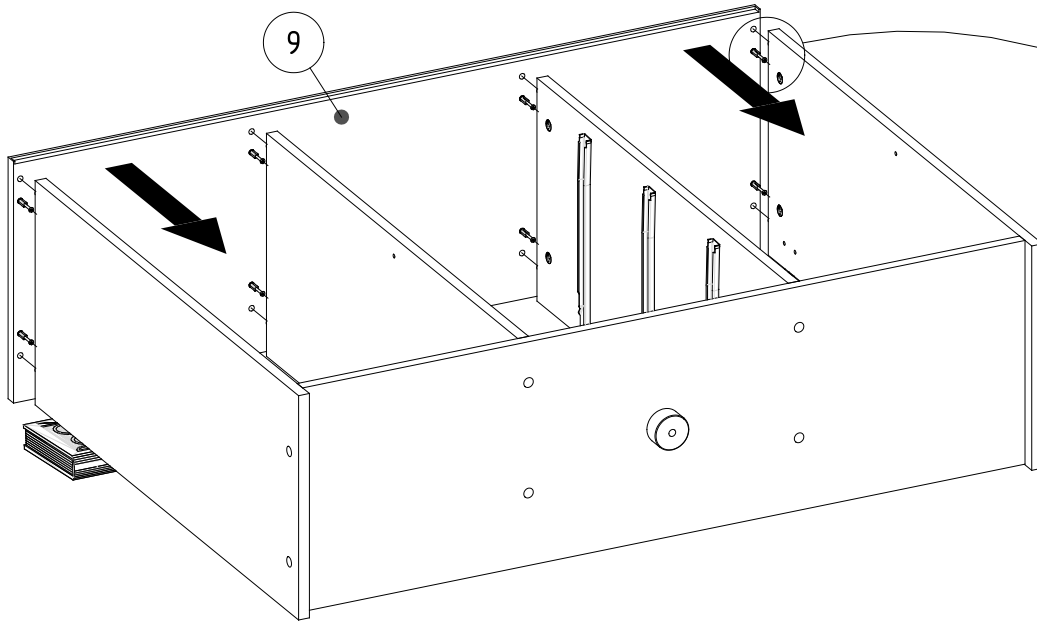
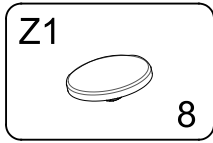
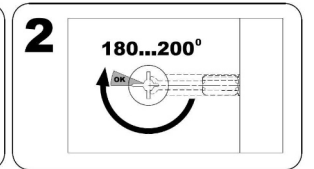
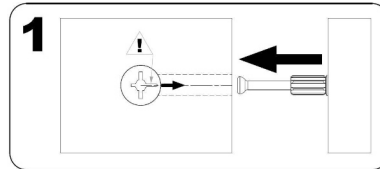
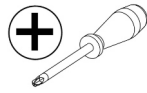


▶ 4

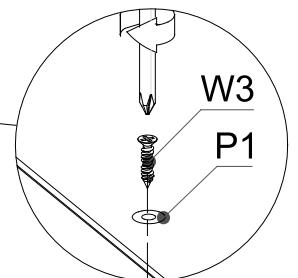
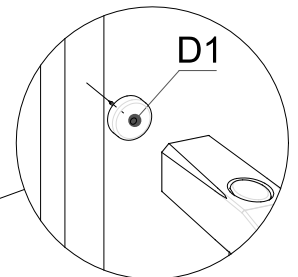
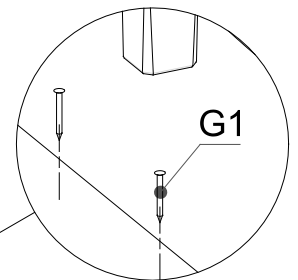
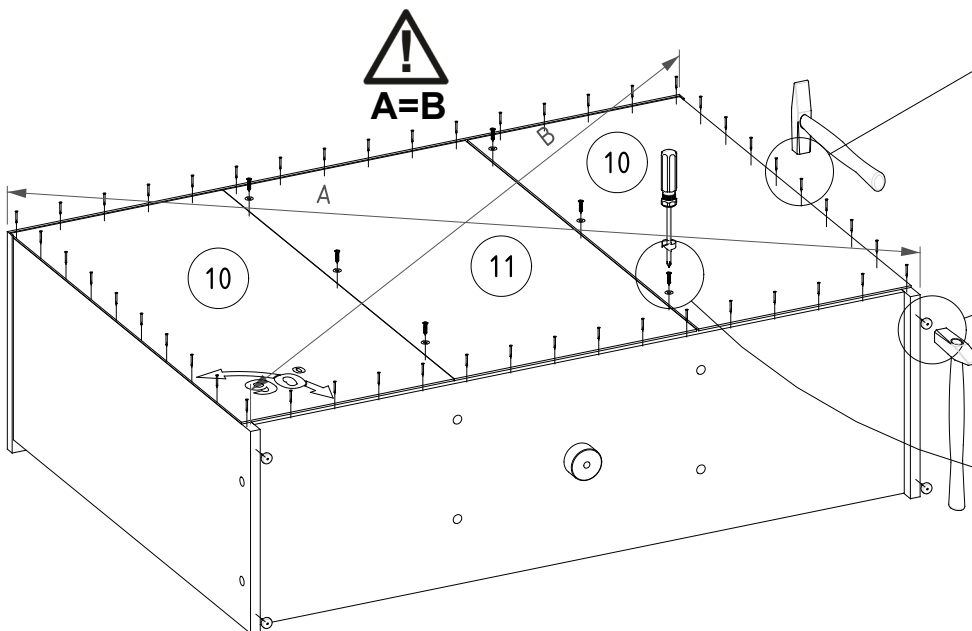
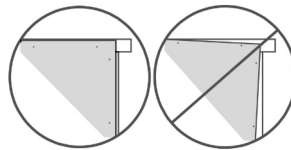
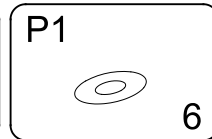
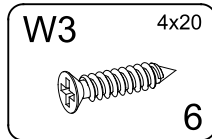
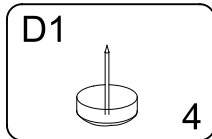
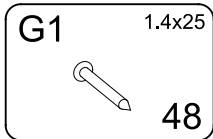
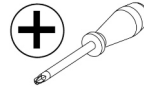
- B1 7x50 8
- KL1 1
- Z2 8



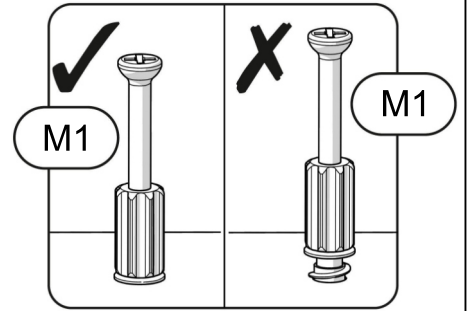
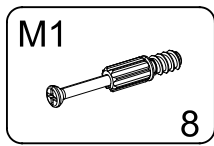
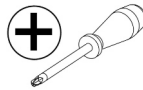
▶ 5



▶ 6

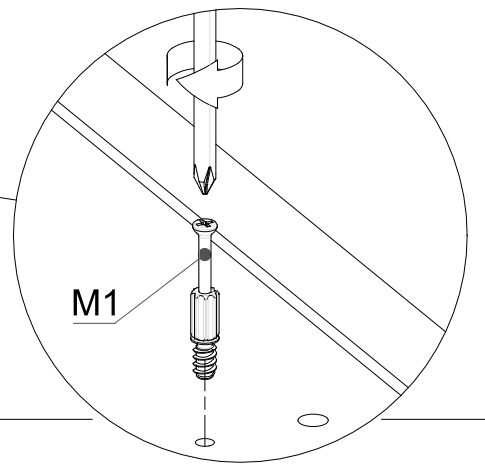
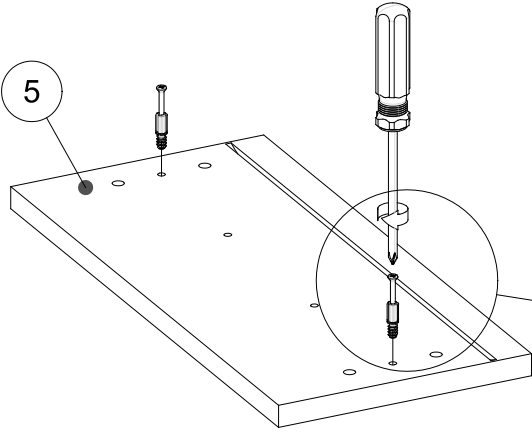


▶ 7

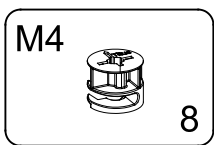
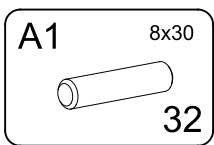


4x

5

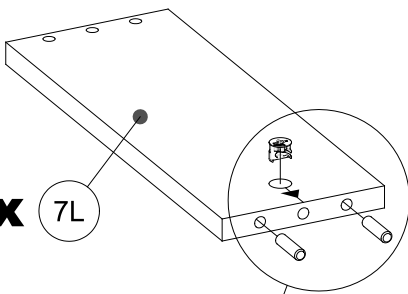


▶ 8



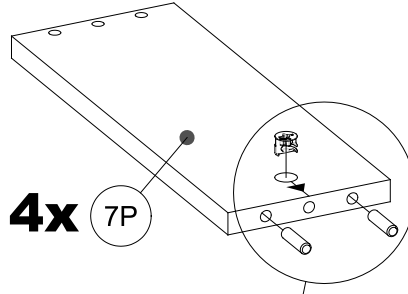
4x

7L



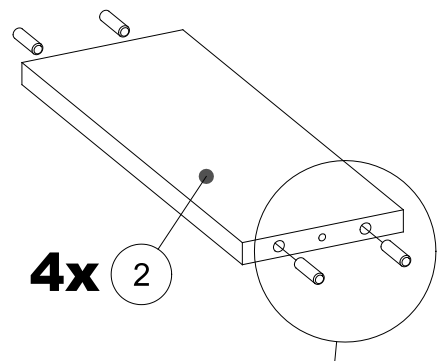
4x

7P

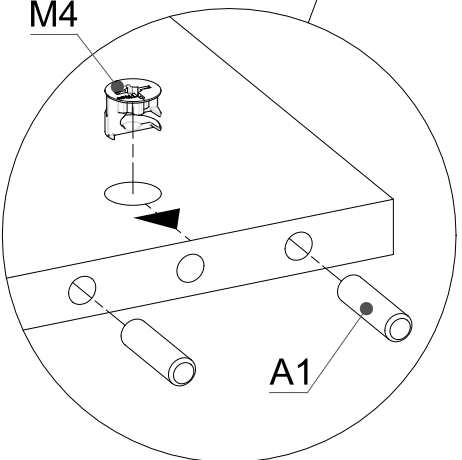


4x

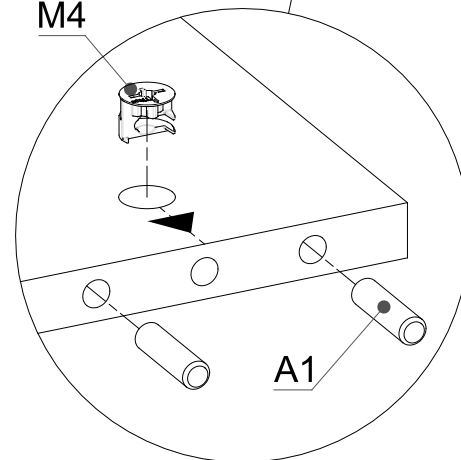
2



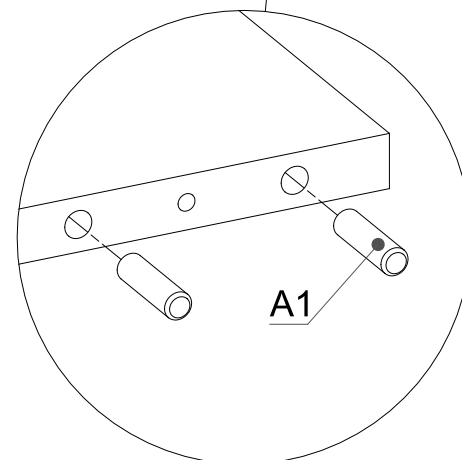
M4



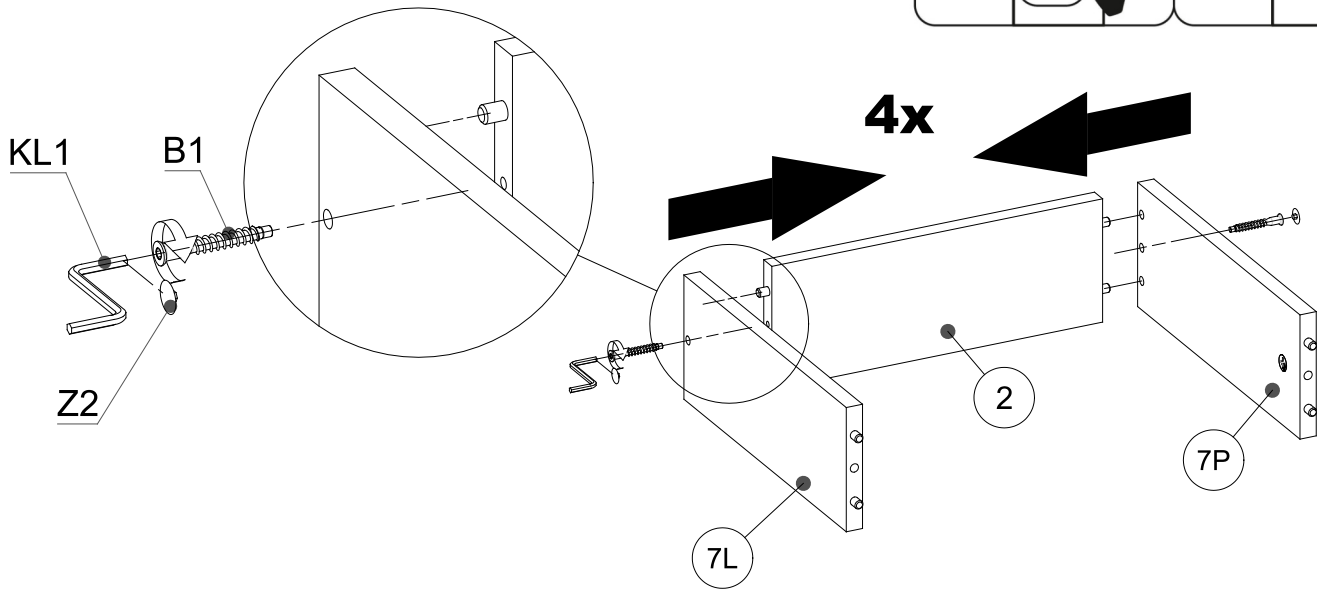
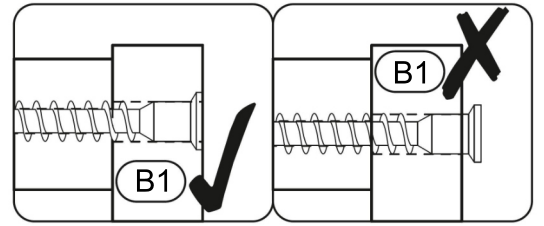
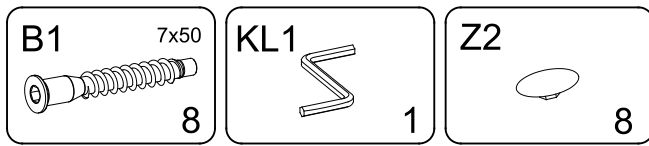
M4



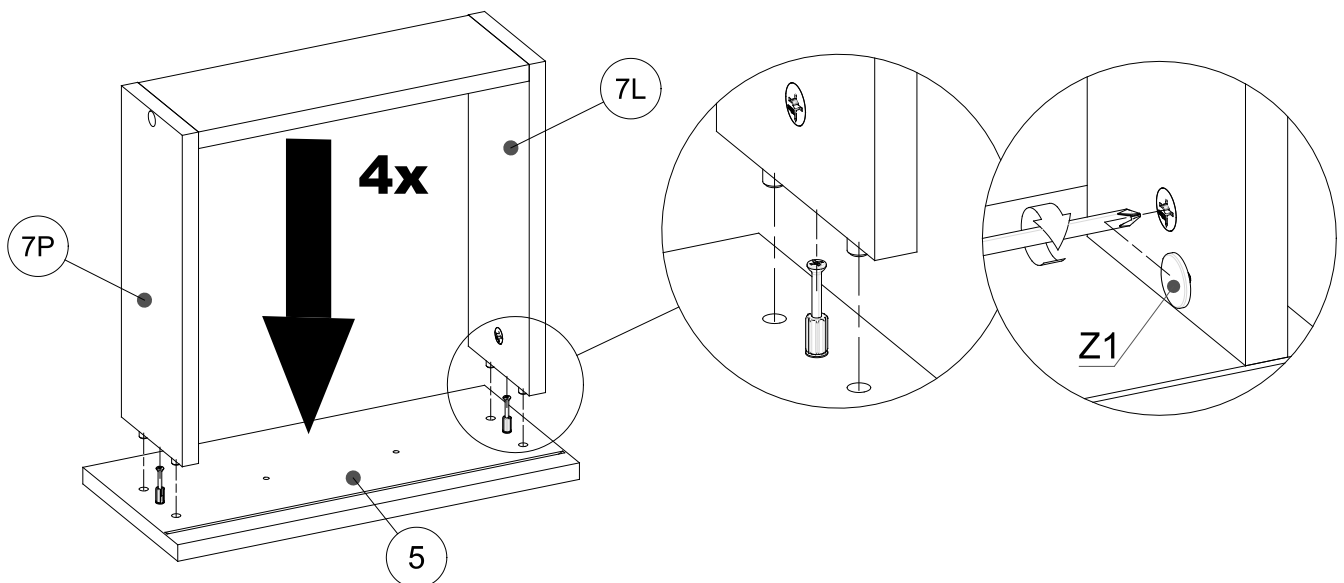
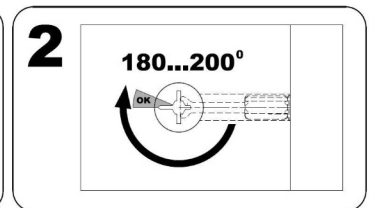
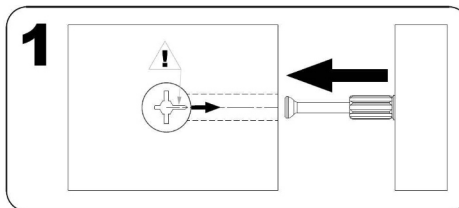
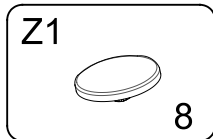
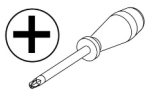
A1



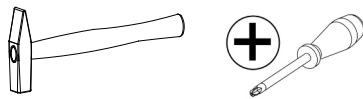
▶ 9








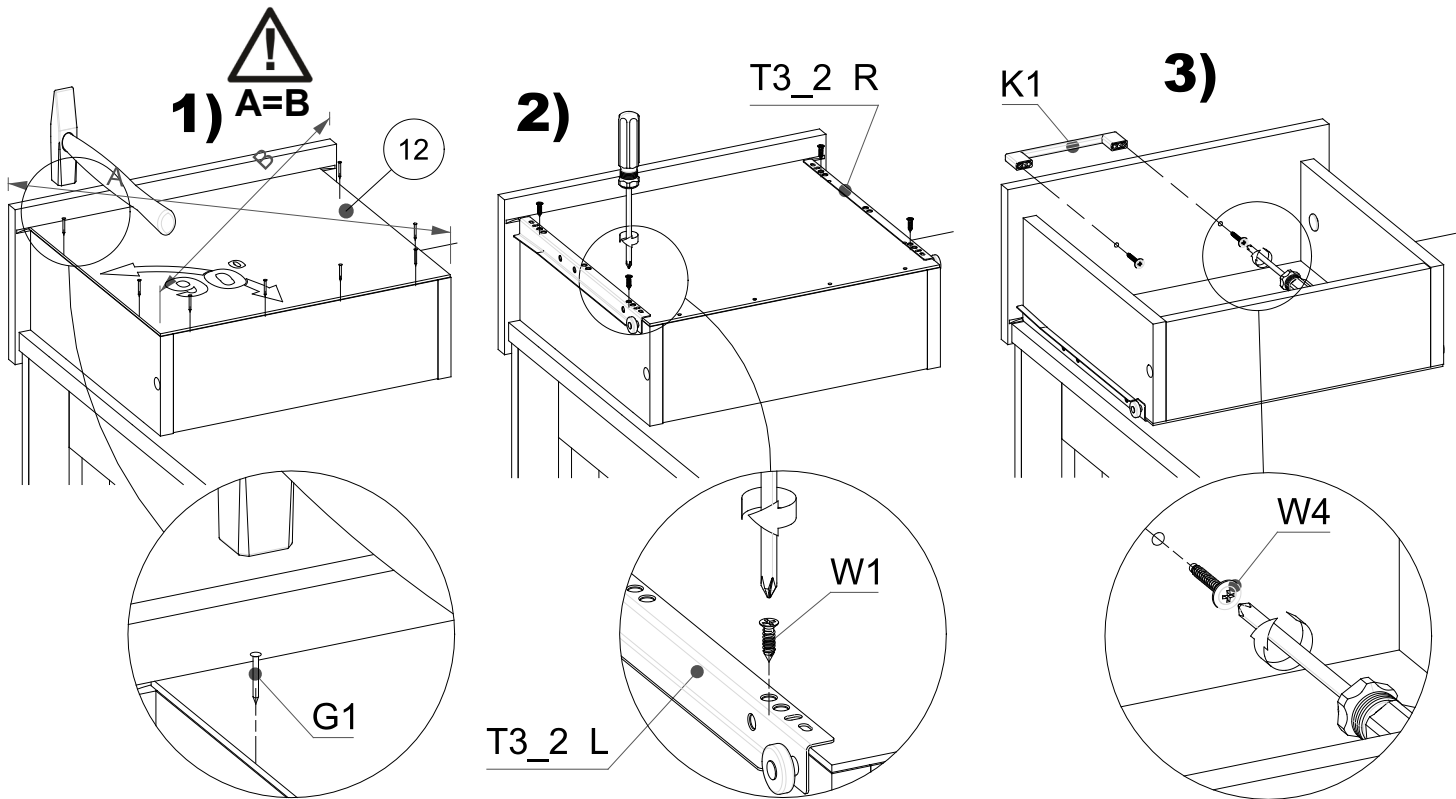
▶ 10



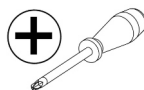
▶ 11

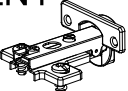
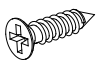




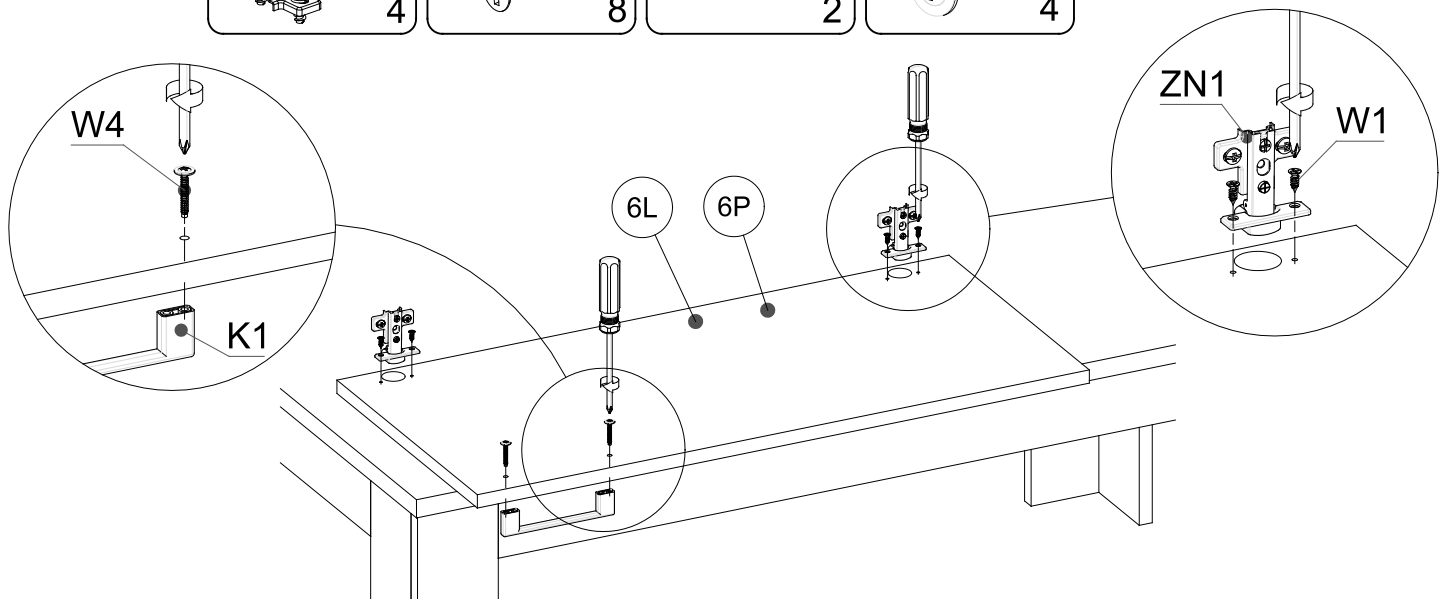
W1 3.5x13  16	G1 1.4x25  36	K1  4	W4 4x28  8	T3_2 L / R 300mm  4kpl
---	---	---	--	--



▶ 12



ZN1  4	W1 3.5x13  8	K1  2	W4 4x28  4
--	--	---	---



▶ 13

