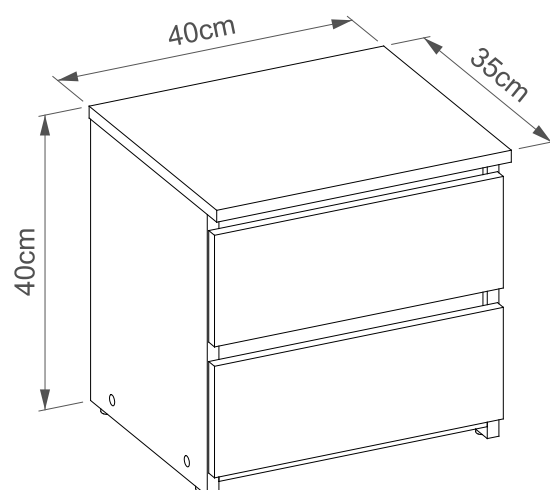
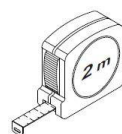
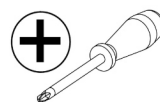
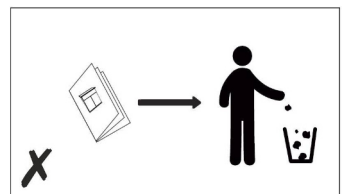
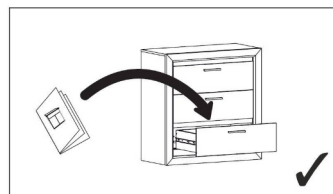
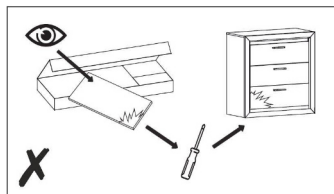
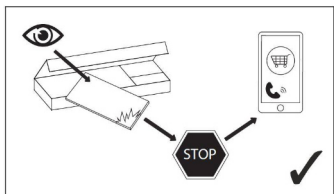
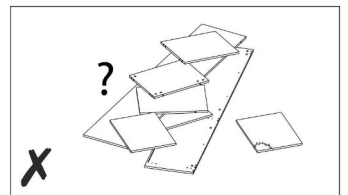
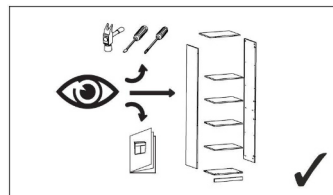
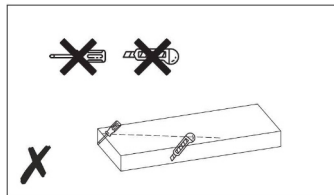
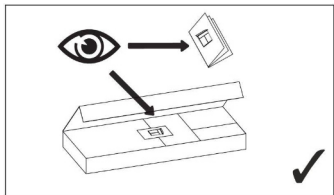
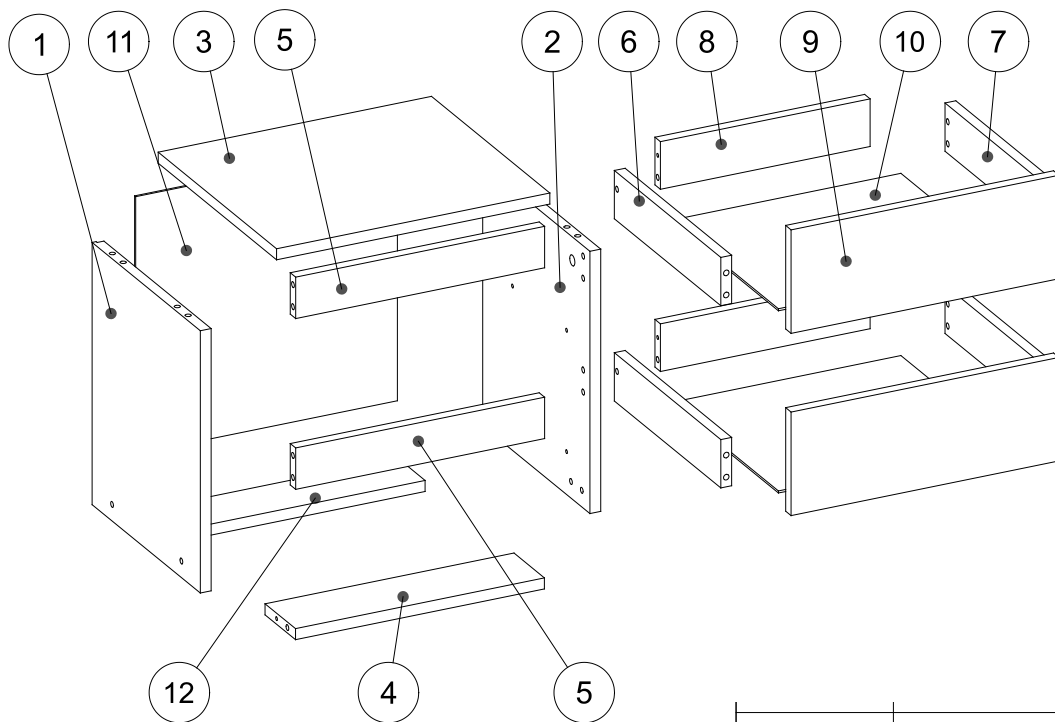


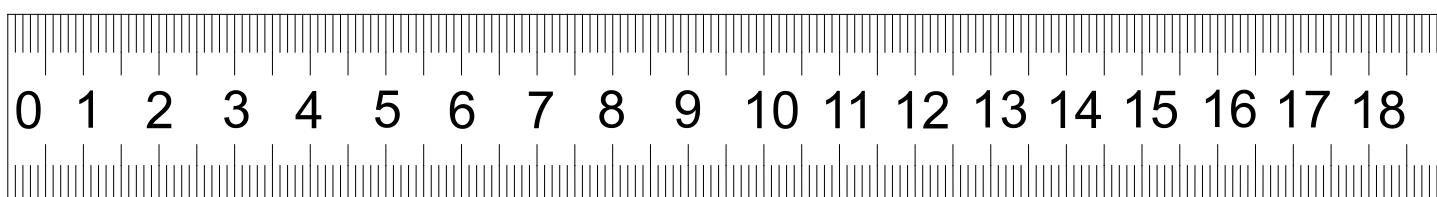
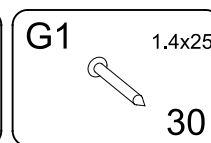
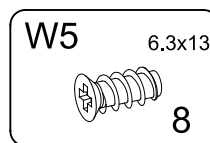
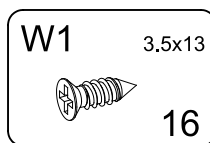
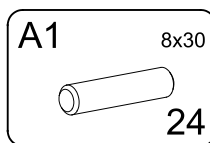
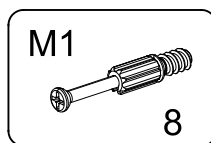
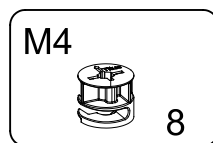
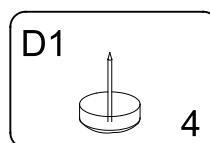
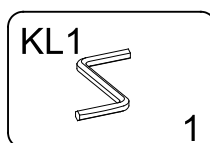
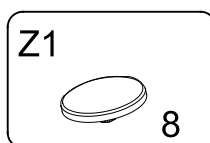
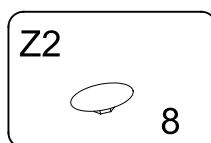
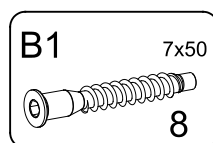
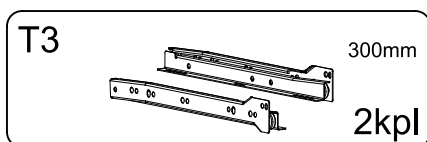
~120min



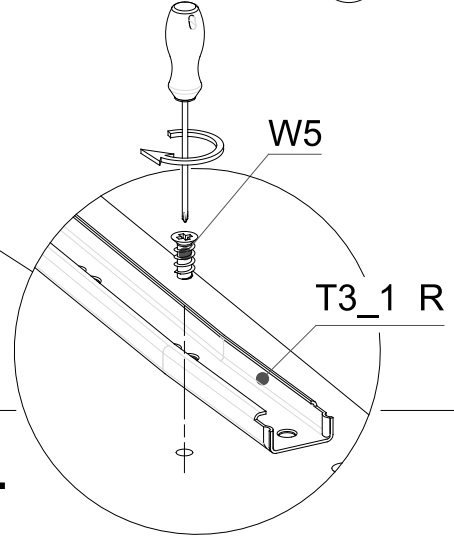
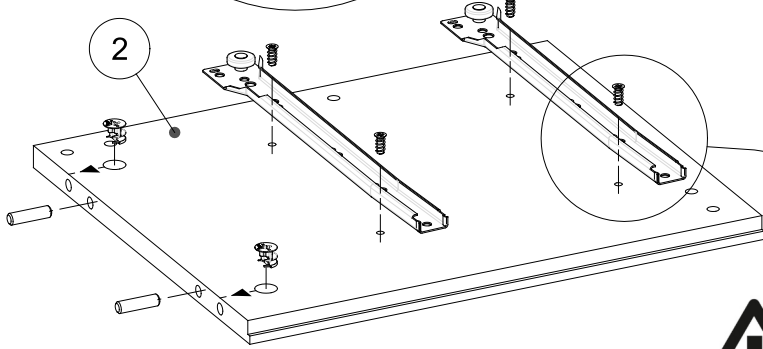
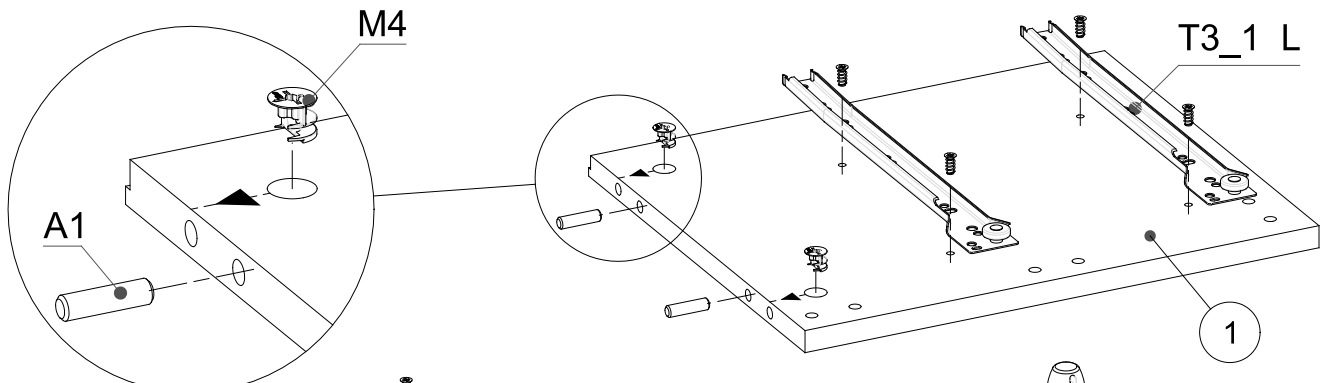
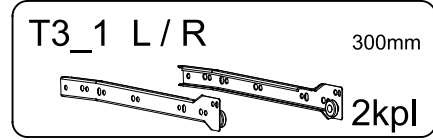
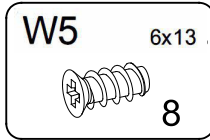
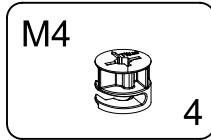
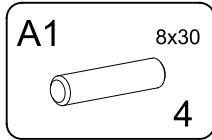
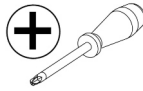




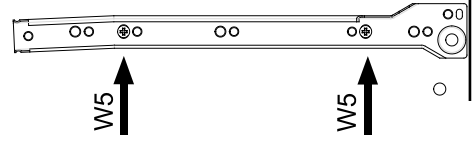
1	380x320x16mm	1
2	380x320x16mm	1
3	404x350x16mm	1
4	368x90x16mm	1
5	368x60x16mm	2
6	315x70x16mm	2
7	315x70x16mm	2
8	310x69x16mm	2
9	396x150x16mm	2
10	320x340x3mm	2
11	387x373x3mm	1
12	368x80x16mm	1



▶ 1



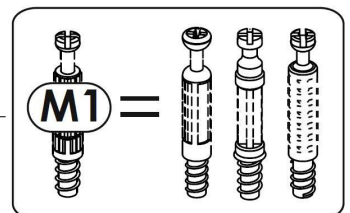
T3_1 R



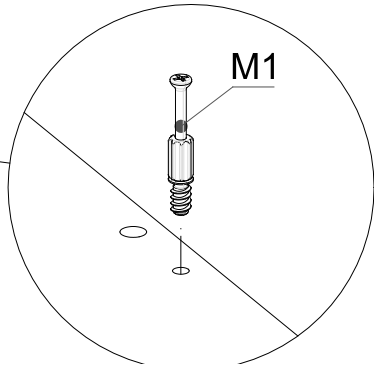
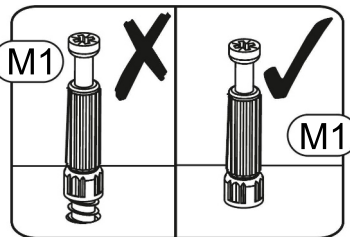
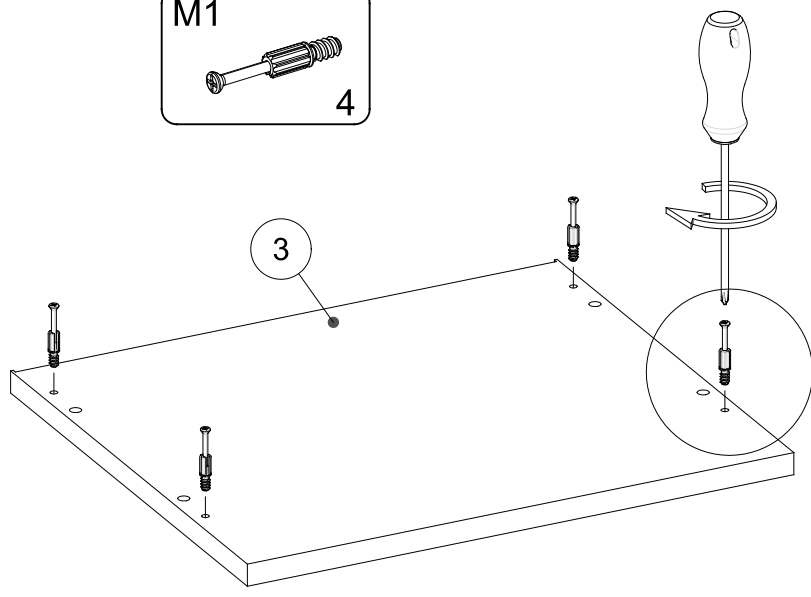
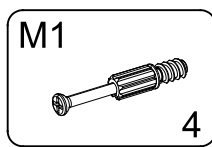
FRONT



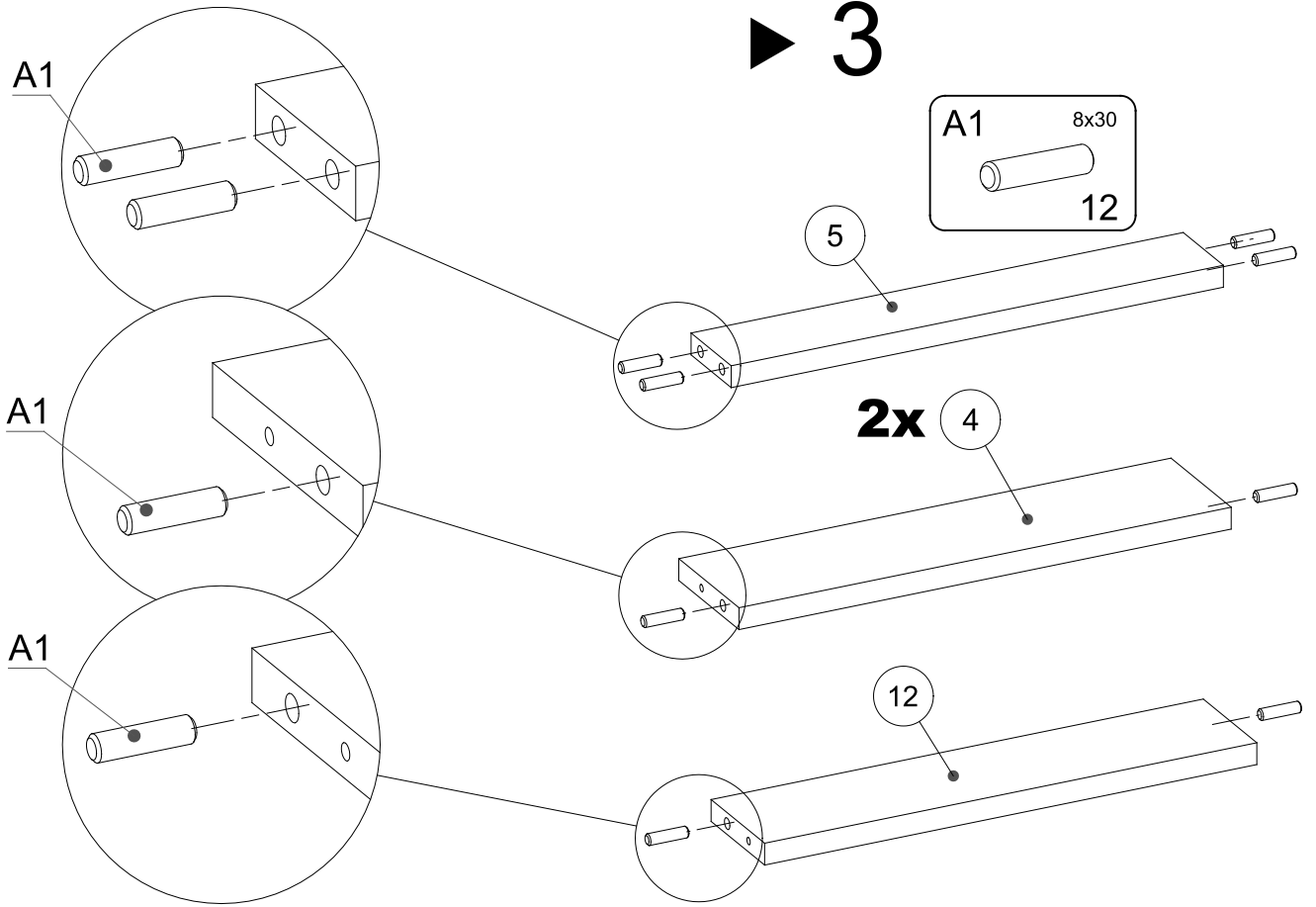
T3_1 L



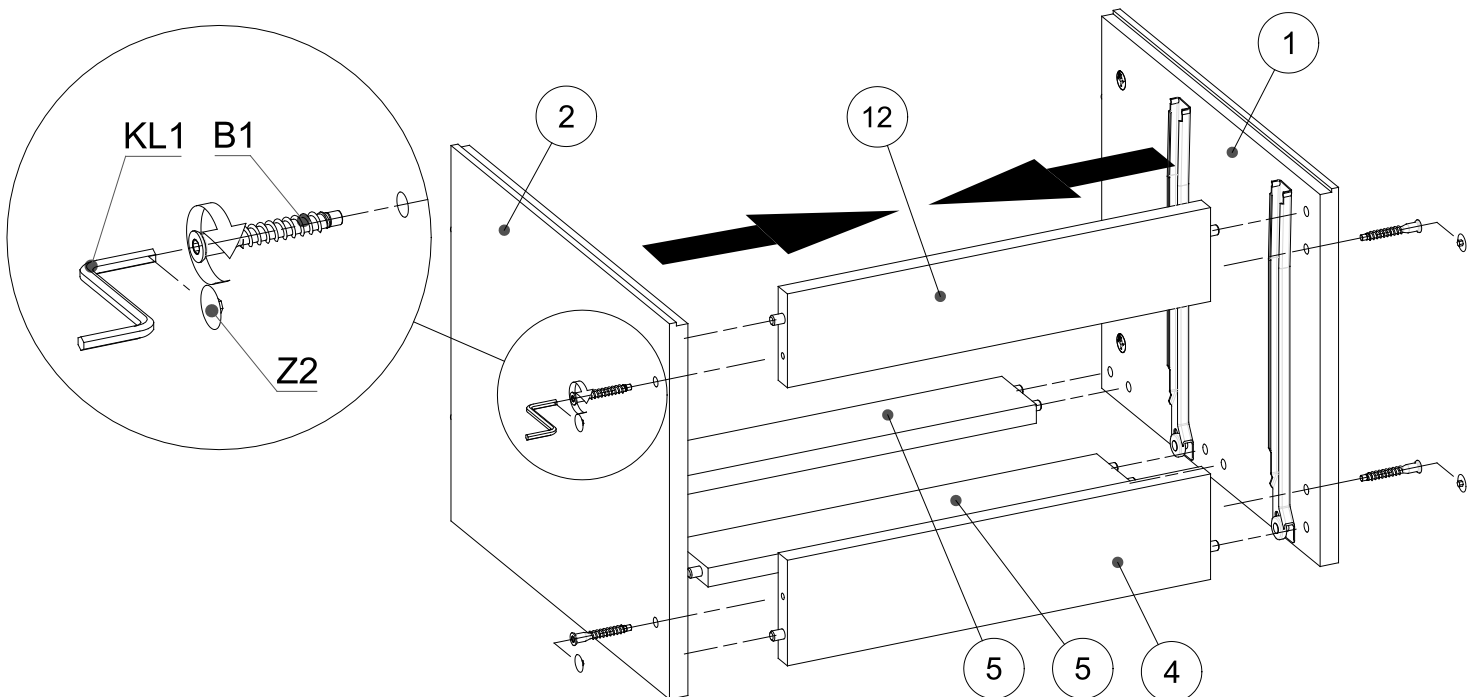
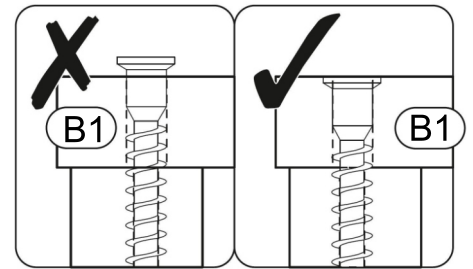
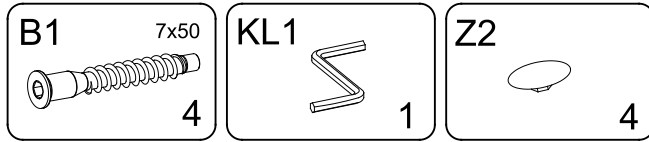
▶ 2



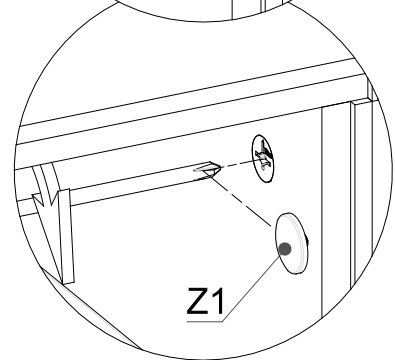
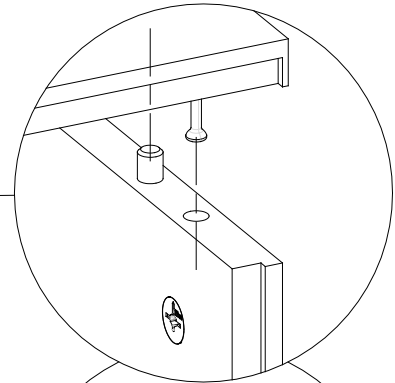
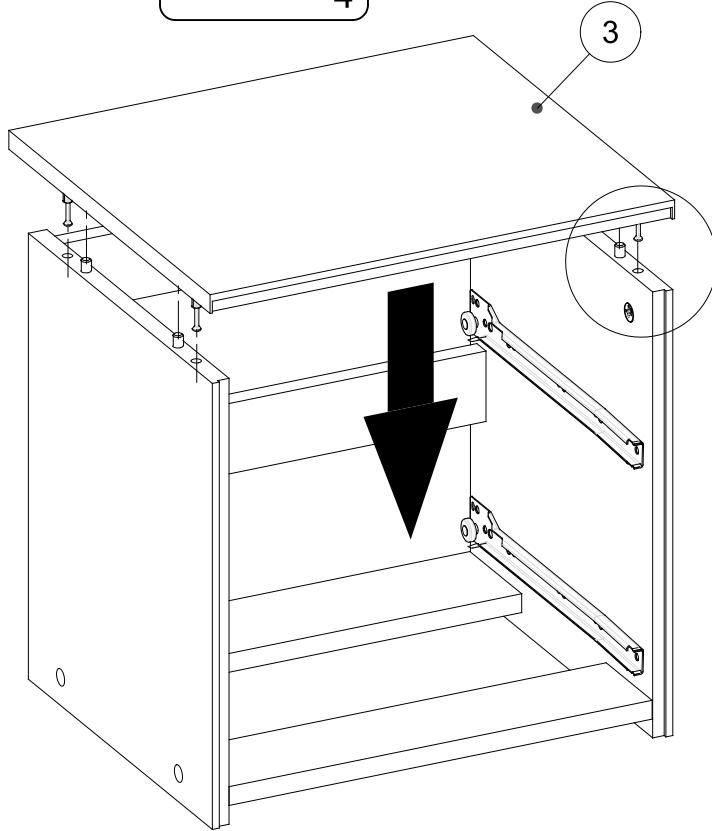
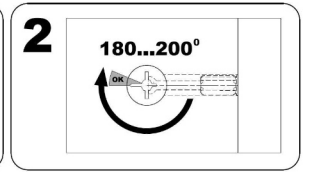
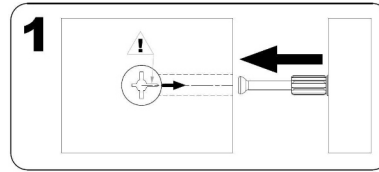
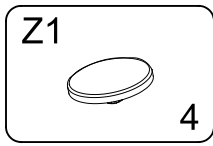
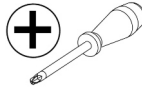
▶ 3



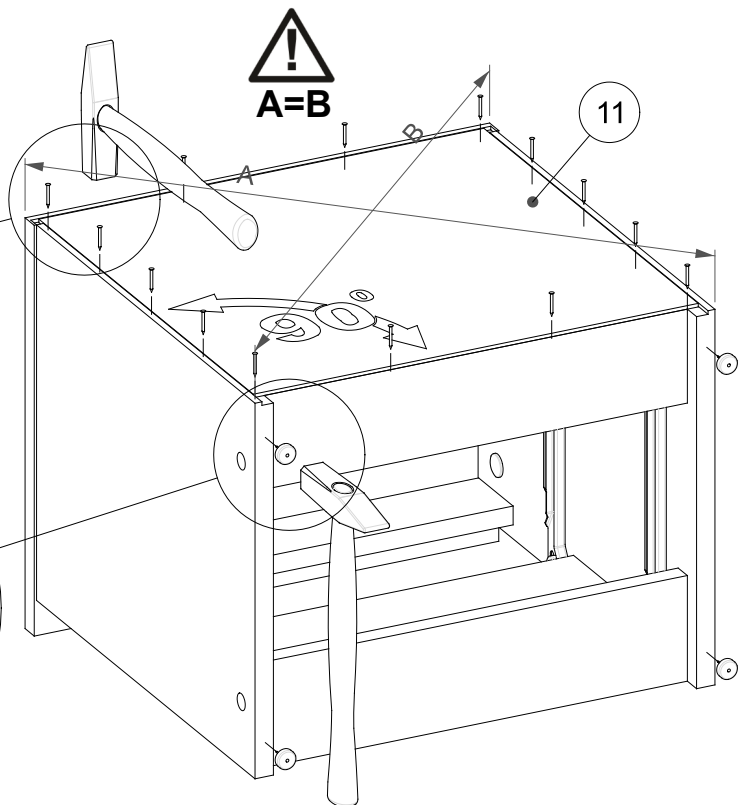
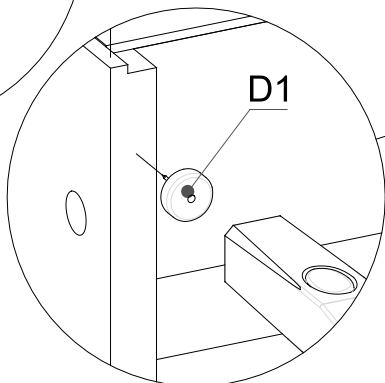
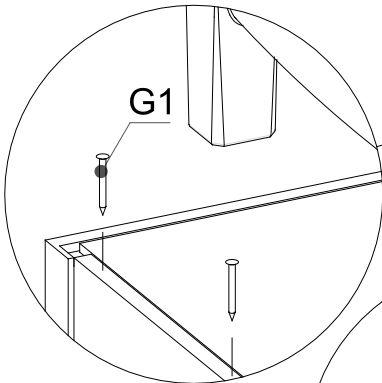
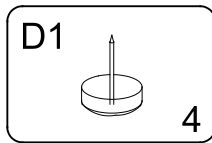
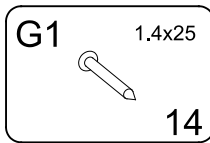
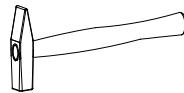
▶ 4



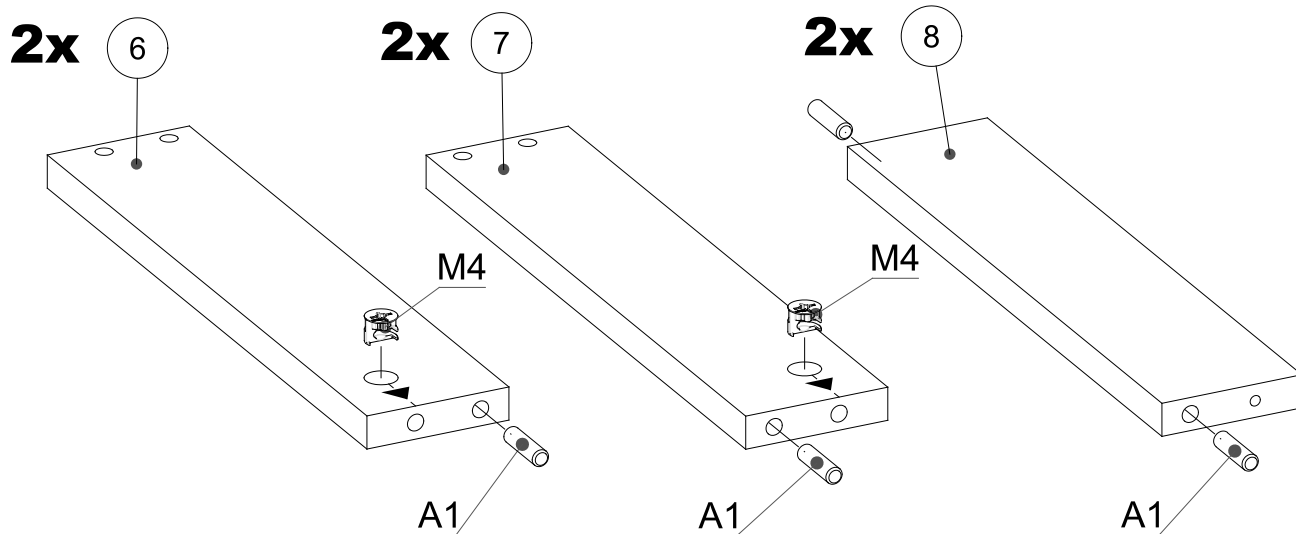
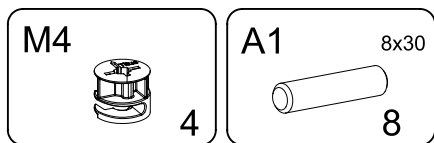
▶ 5



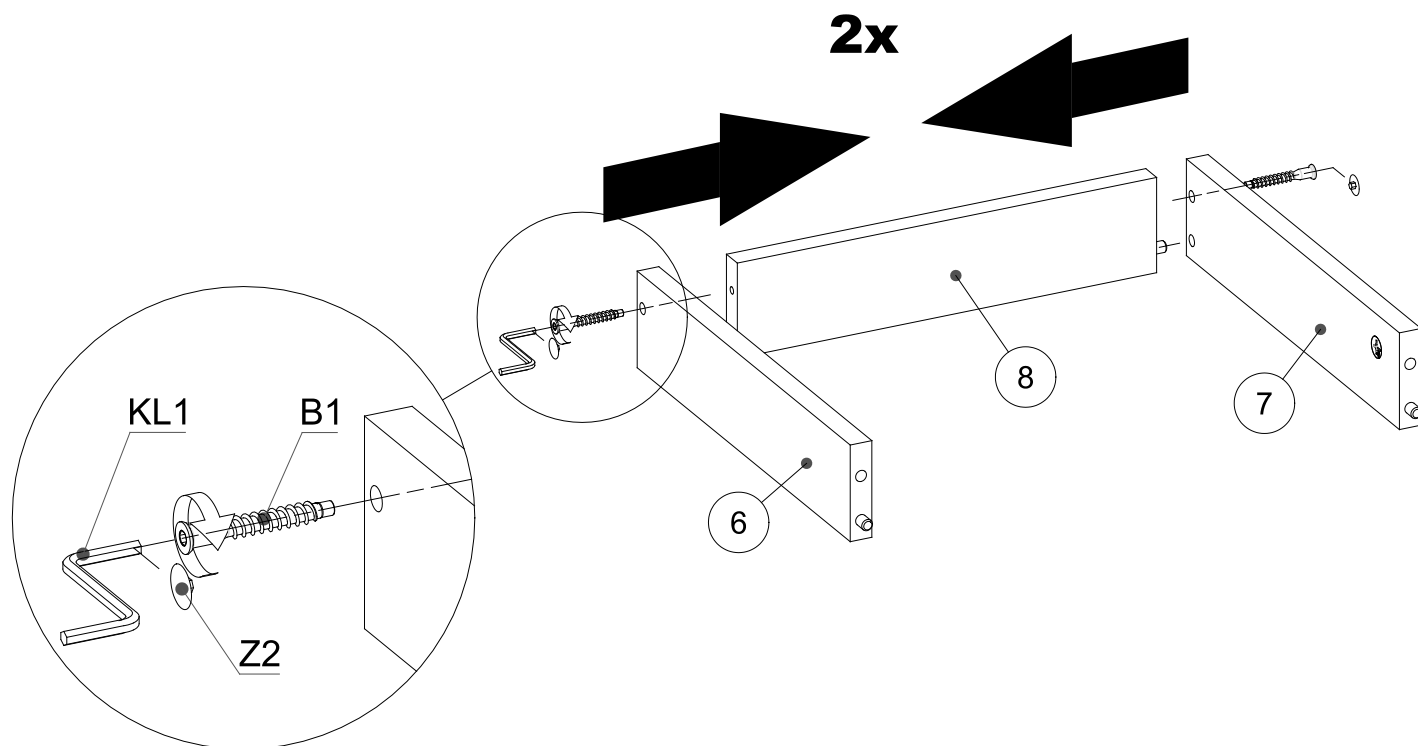
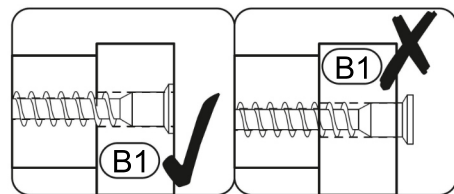
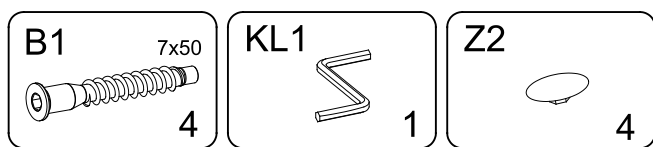
▶ 6



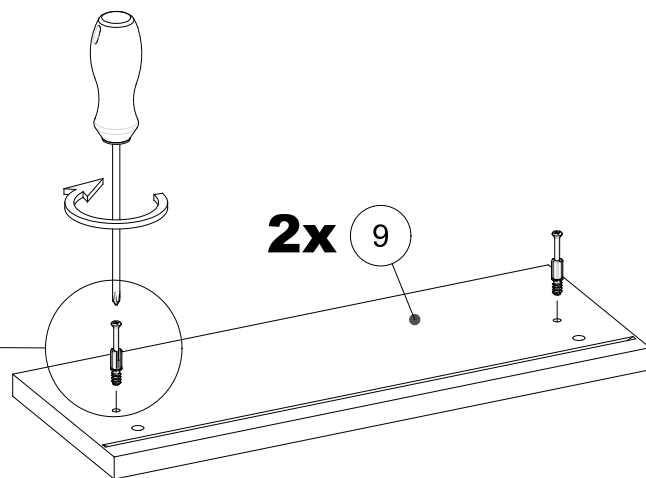
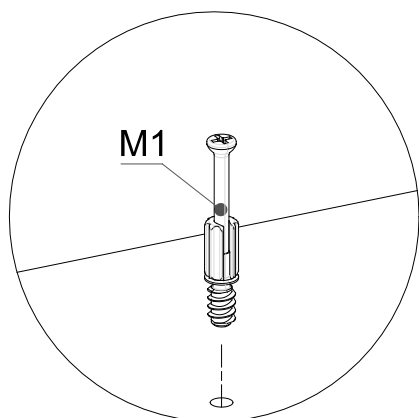
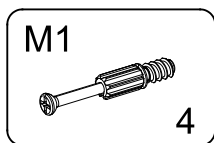
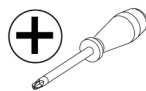
▶ 7



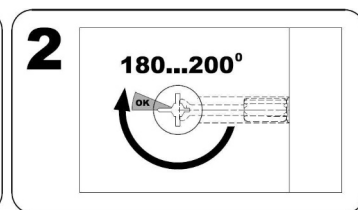
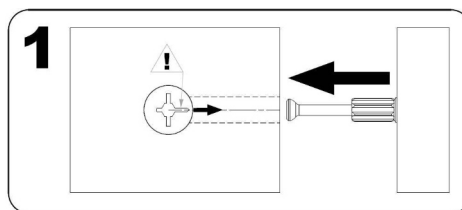
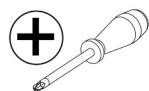
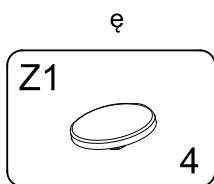
▶ 8



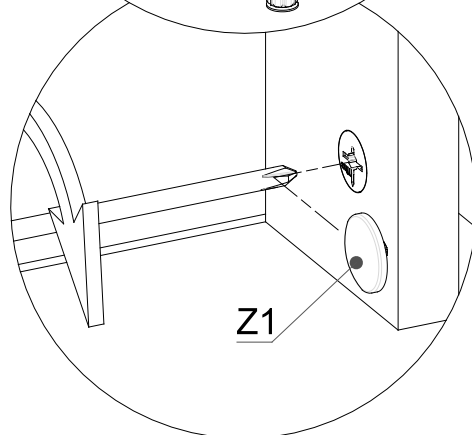
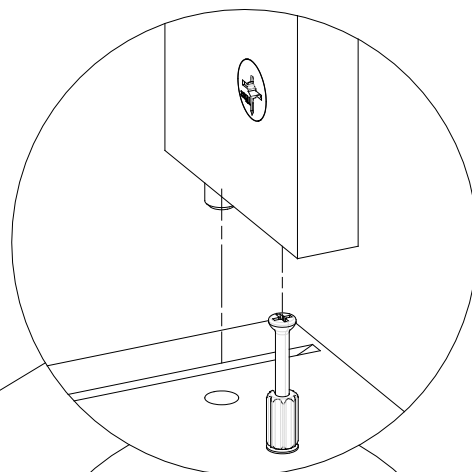
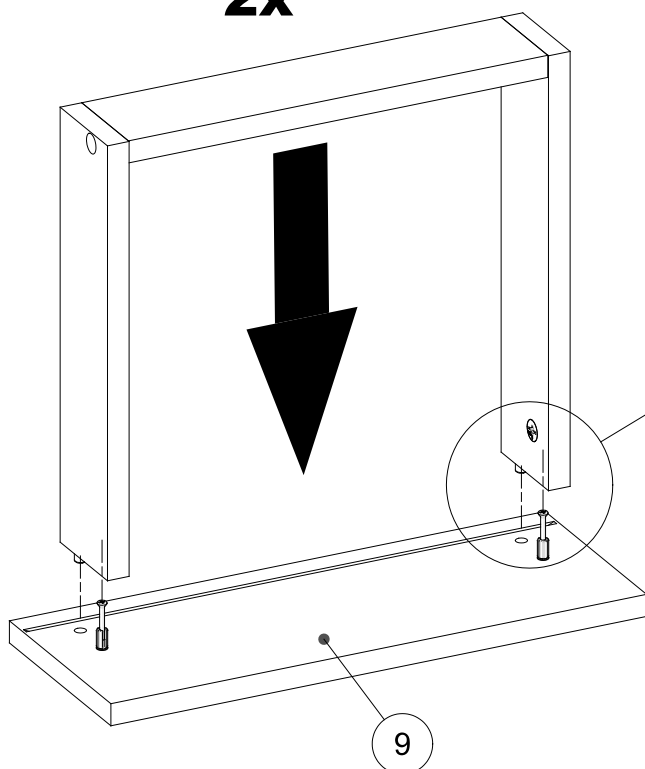
▶ 9



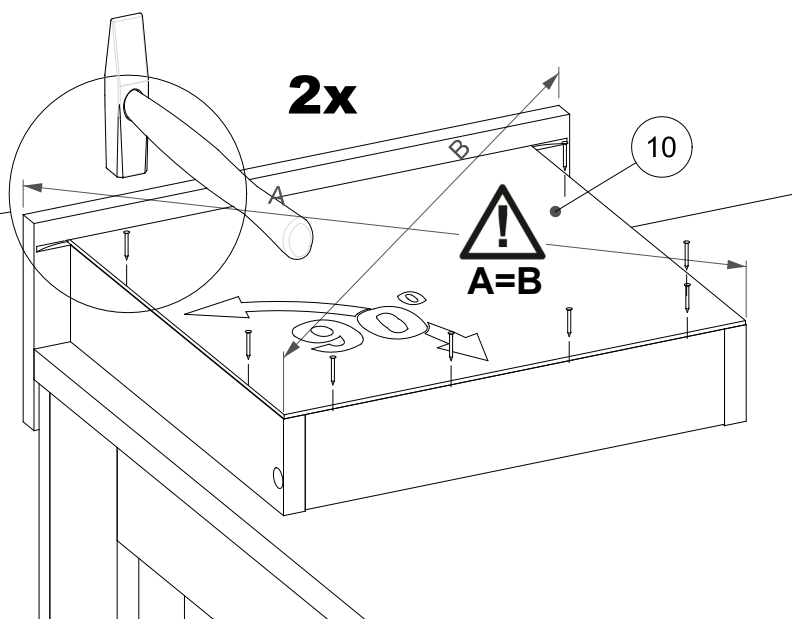
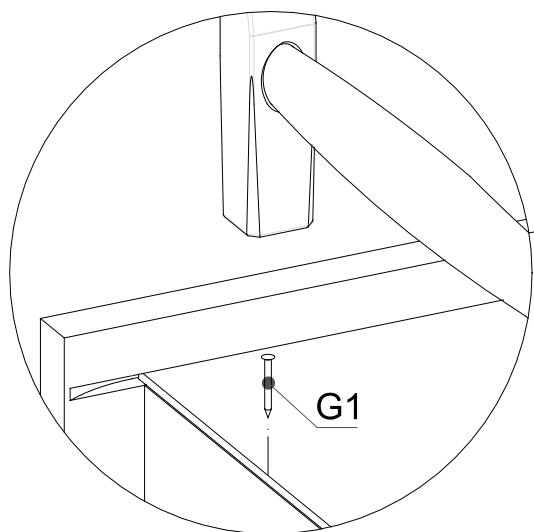
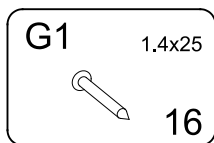
▶ 10



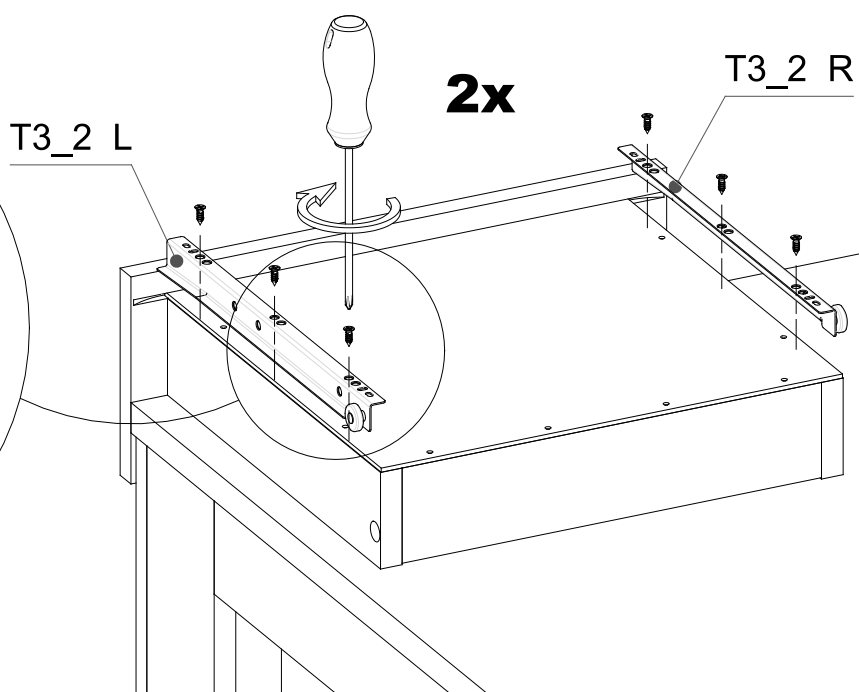
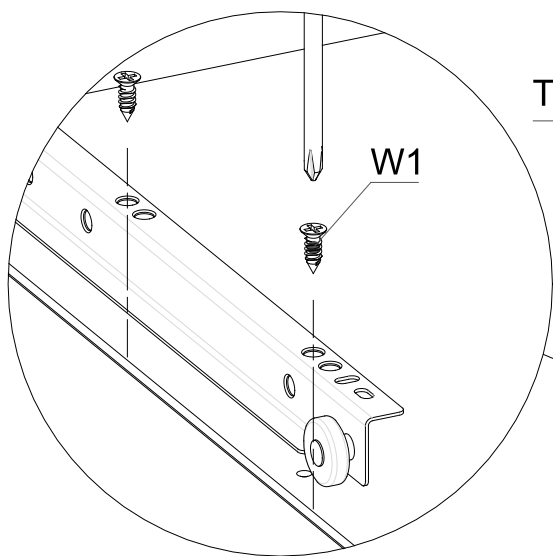
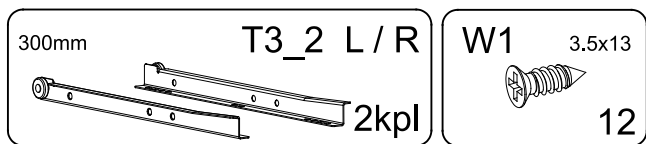
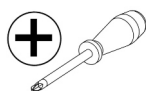
2x



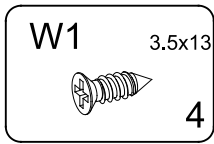
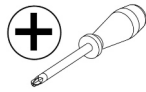
▶ 11



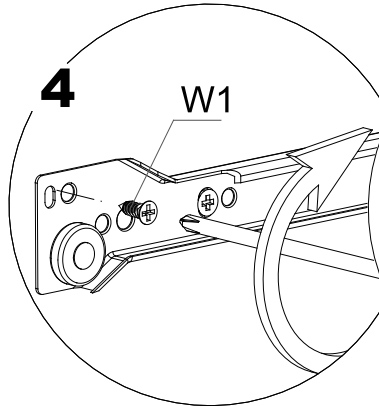
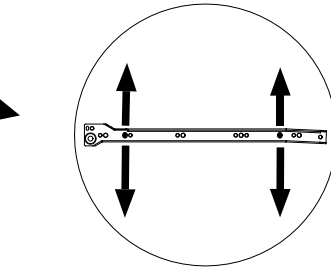
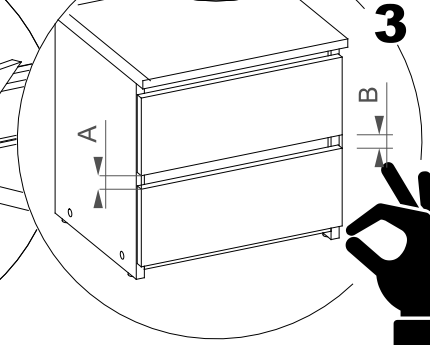
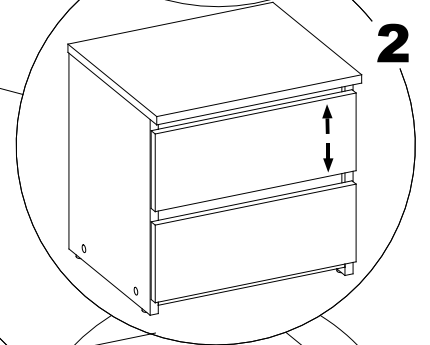
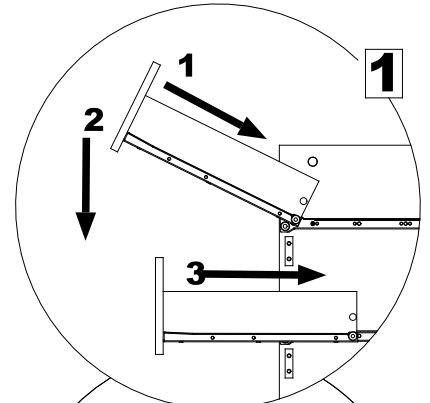
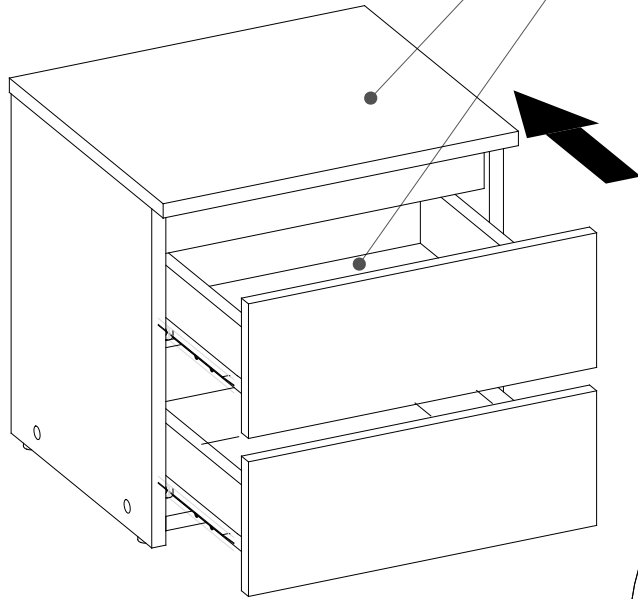
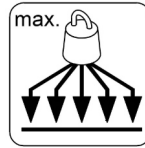
▶ 12



▶ 13



max. 20kg
max. 3kg



A=B

