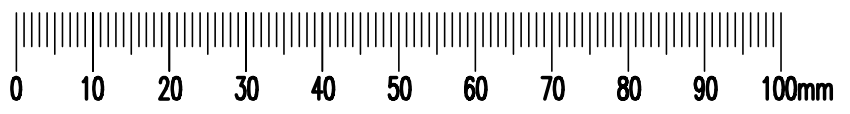
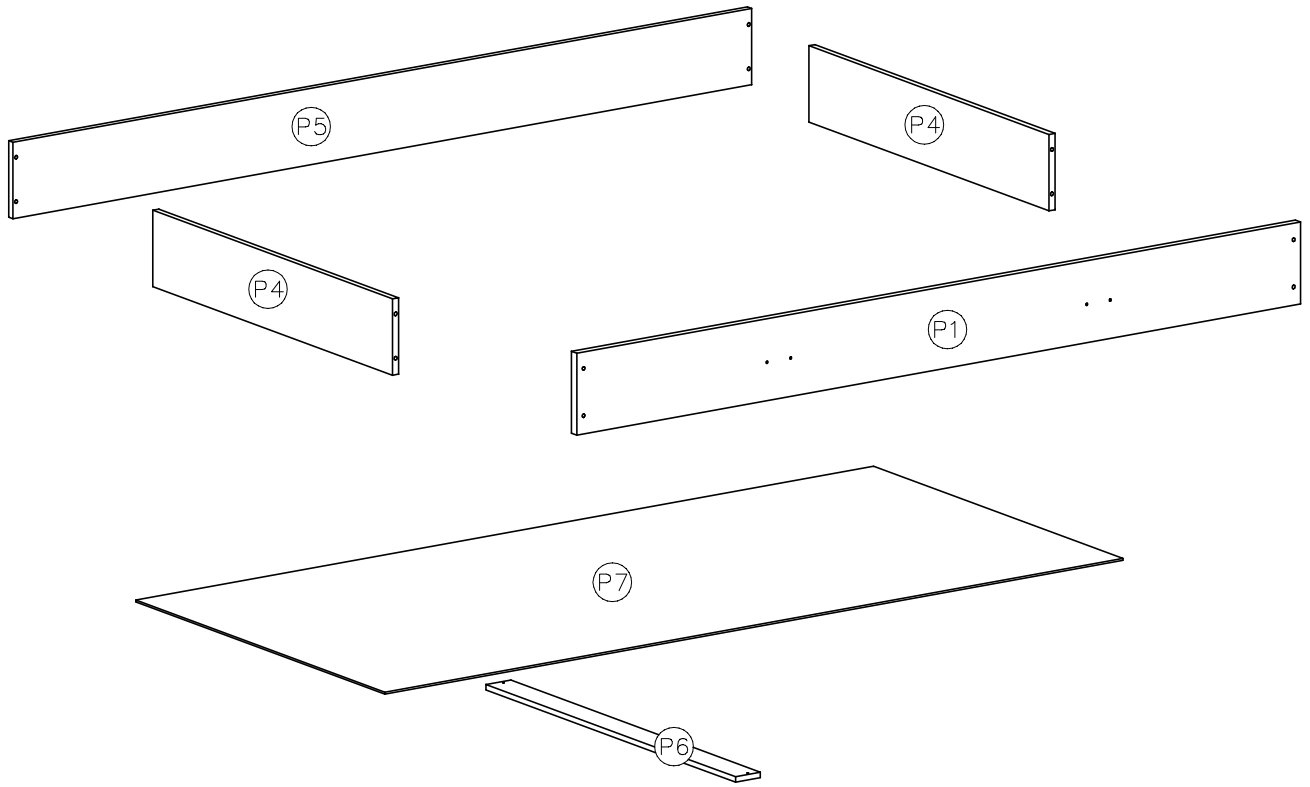
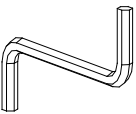
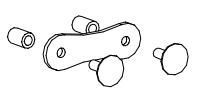
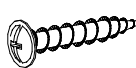


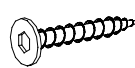


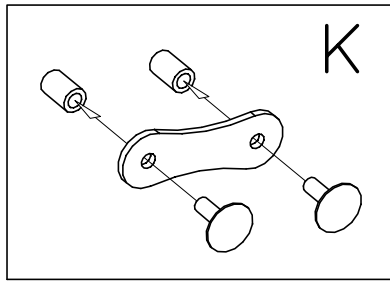


P1	1
P4	2
P5	1
P6	1
P7	1



H  x1	K  x2	B  4x30 x4		
F  3,5x30 x2	P  x48	C  6x50 x8	N  x4	D  4x16 x8

I



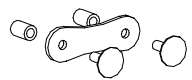
B



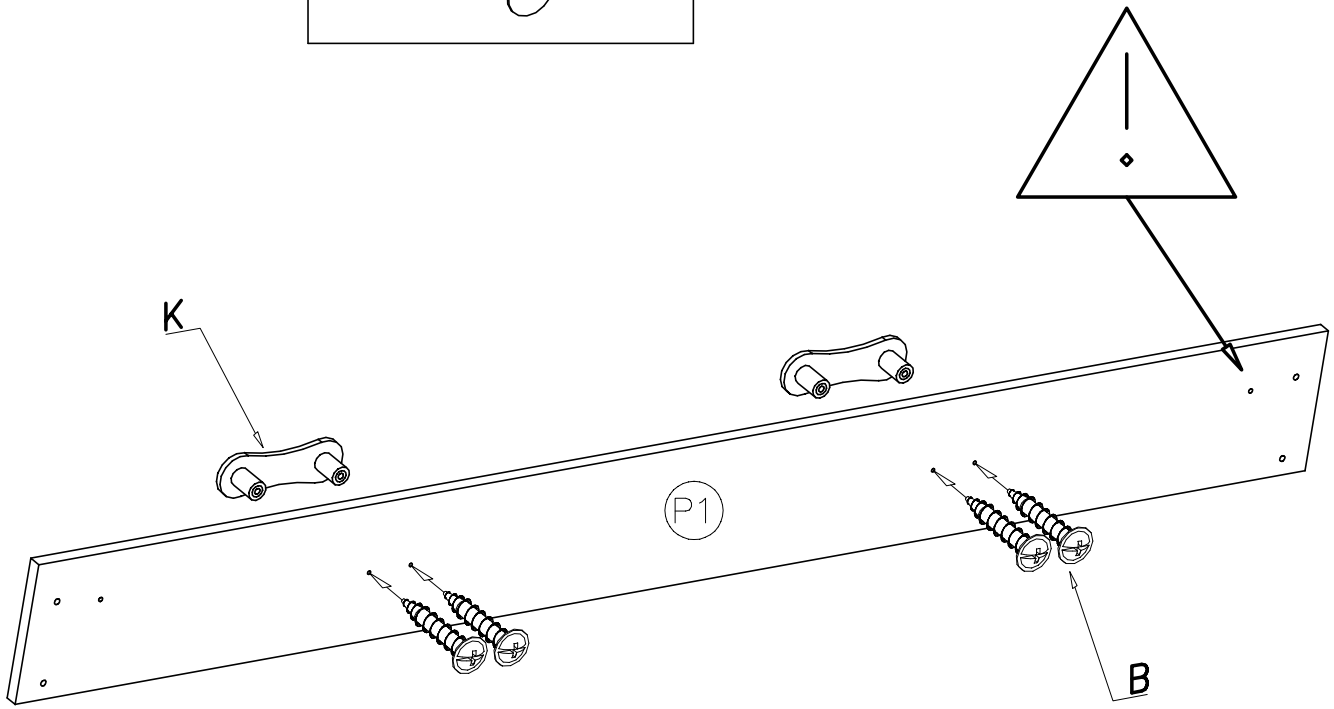
4x30

x4

K

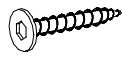


x2



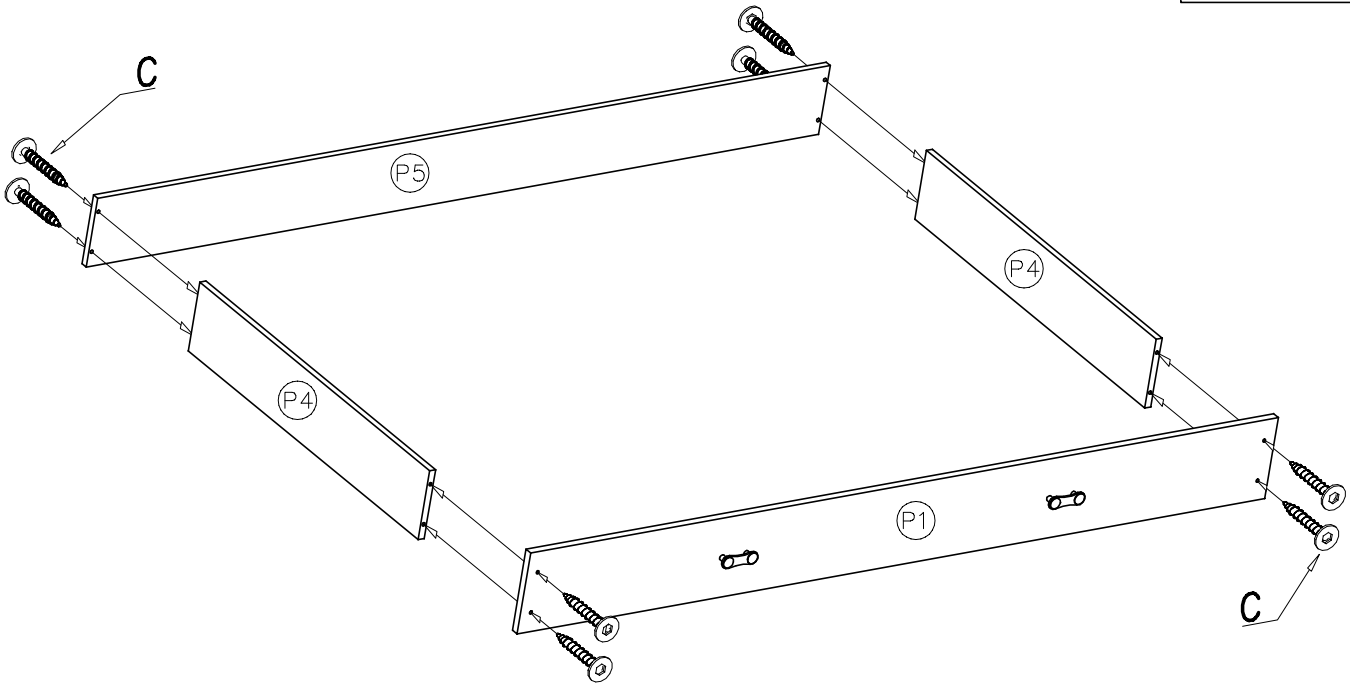
II

C

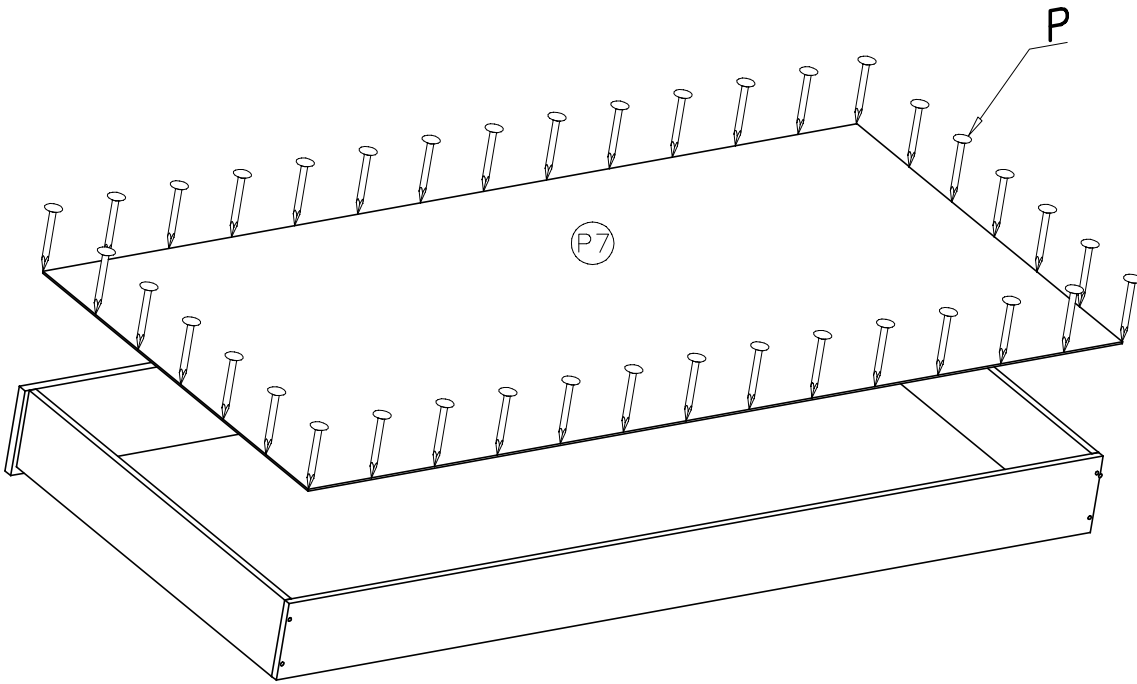
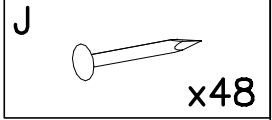


6x50

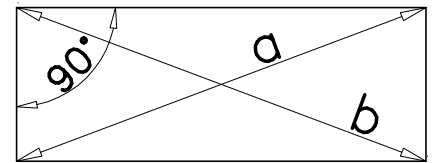
x8



III



$a=b$



IV

