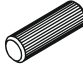
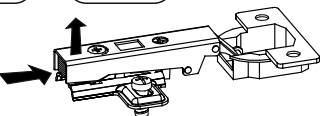
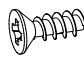
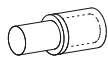


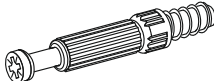
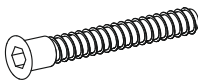
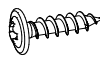
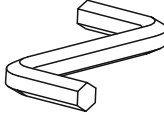



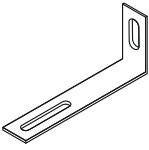
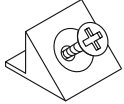
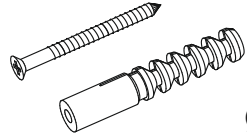
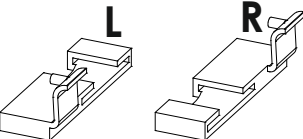
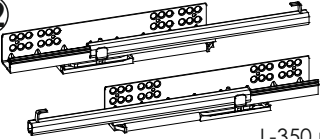
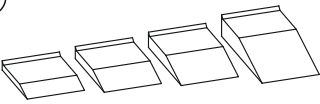
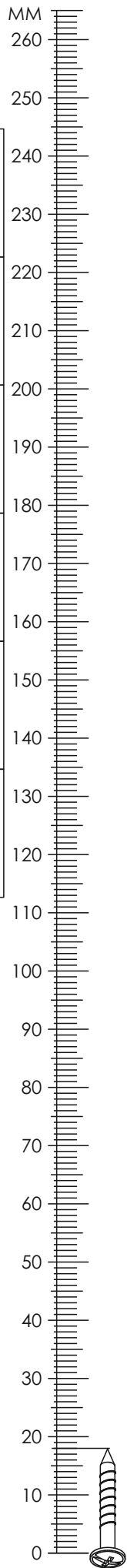
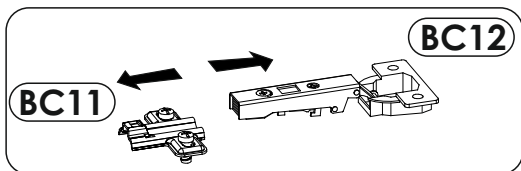
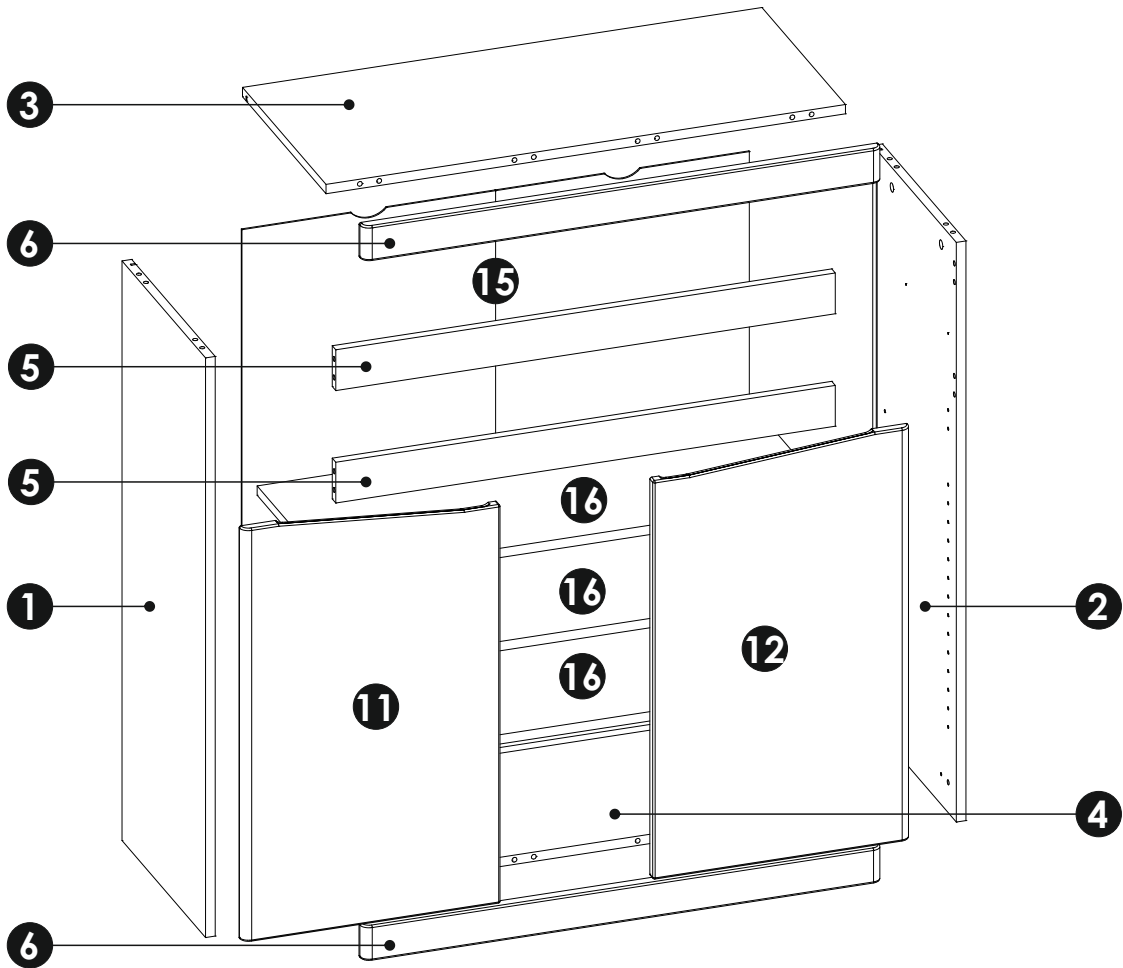
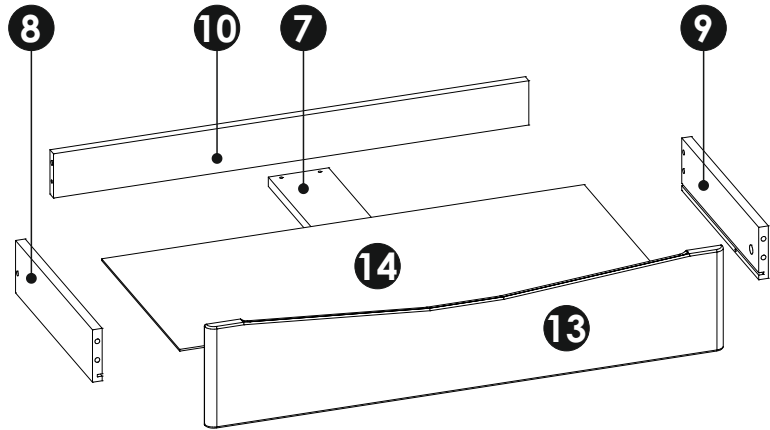
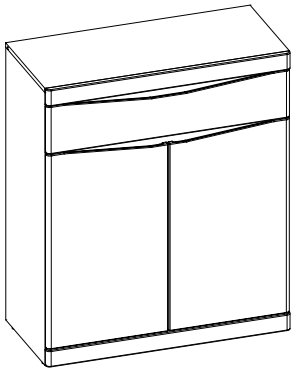


A1 8 x 35 mm x30 	BC11 + BC12 x4 	C2 5 x 13 mm x12 
D2 x12 	E0 Ø16 x2 	E1 15 x 12 mm x19 
F1 6 x 34 mm x19 	G1 7 x 50 mm x2 	I2 4 x 16 mm x2 
M x1 	N1 3 x 16 mm x15 	N9 3,5 x 40 mm x2 
O2 x4 	Q9 x2 	R4 x6 
S13 x2  Ø8	TZ L R x1 	T12 x1  L-350 mm
Z x1 		

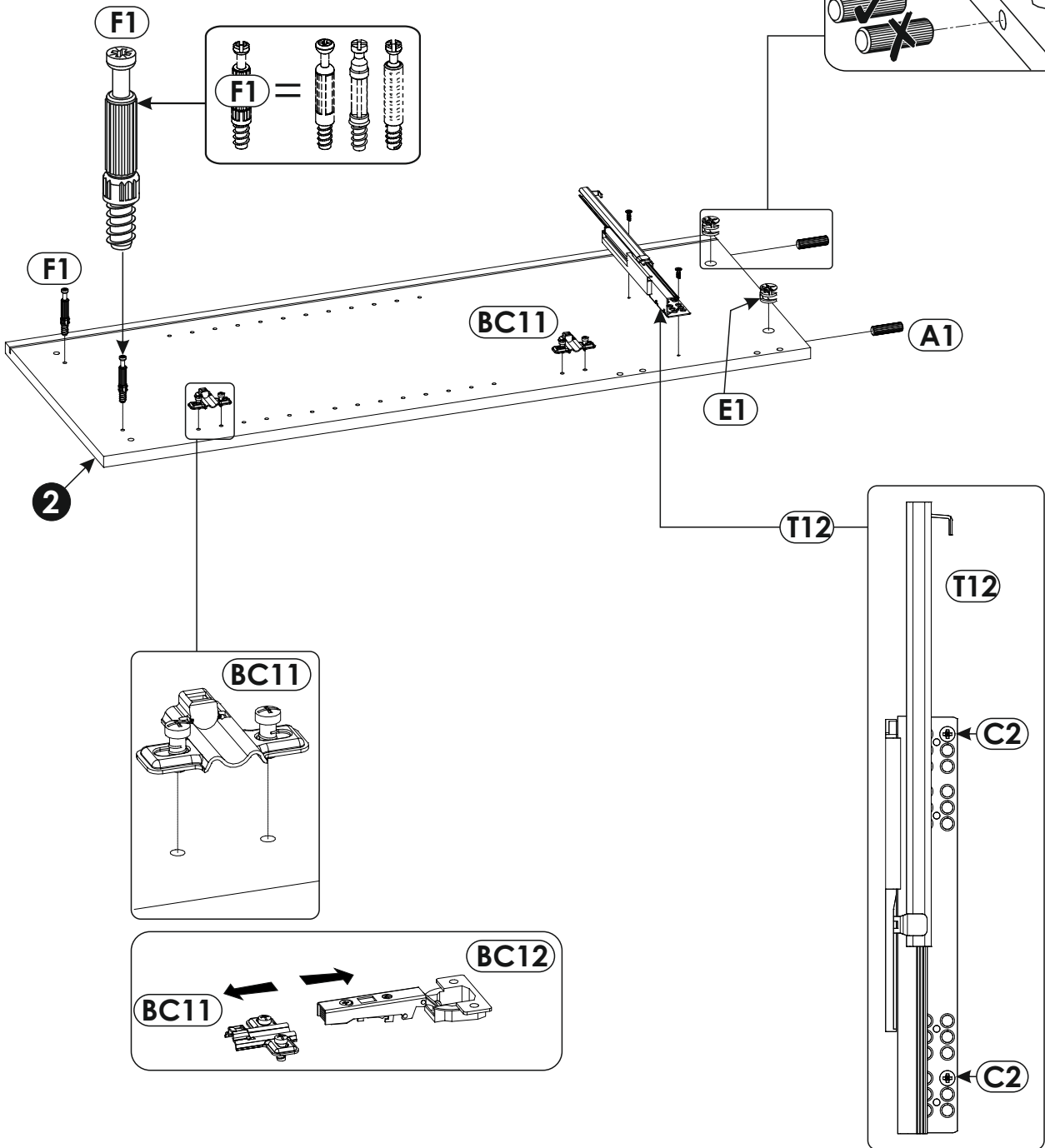
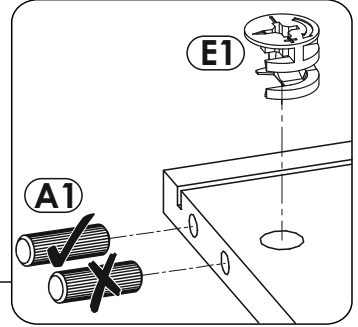
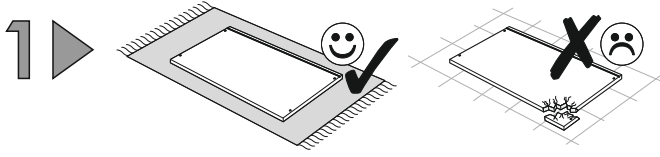
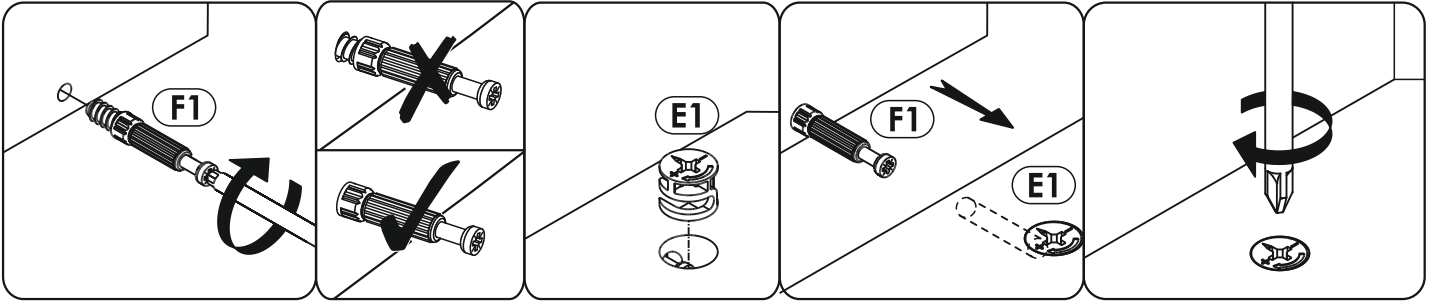




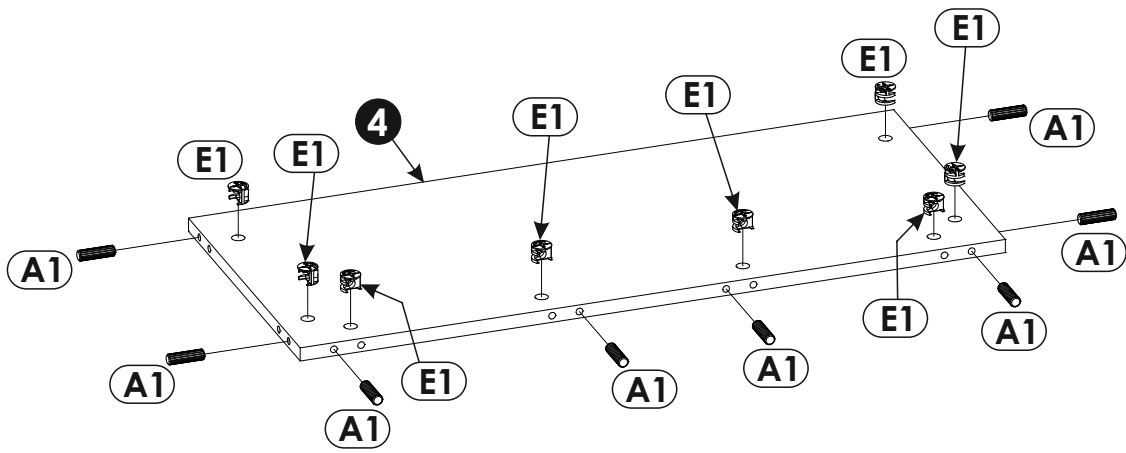
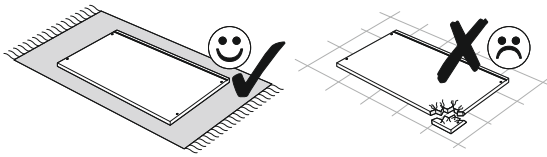
1	995	380	16	x1	1/2
2	995	380	16	x1	1/2
3	860	380	16	x1	2/2
4	827	360	16	x1	1/2
5	827	70	16	x2	2/2
6	860	60	19	x2	2/2

7	350	100	16	x1	2/2
8	350	90	16	x1	2/2
9	350	90	16	x1	2/2
10	787	76	16	x1	2/2
11	427	709	16	x1	2/2
12	427	709	16	x1	2/2

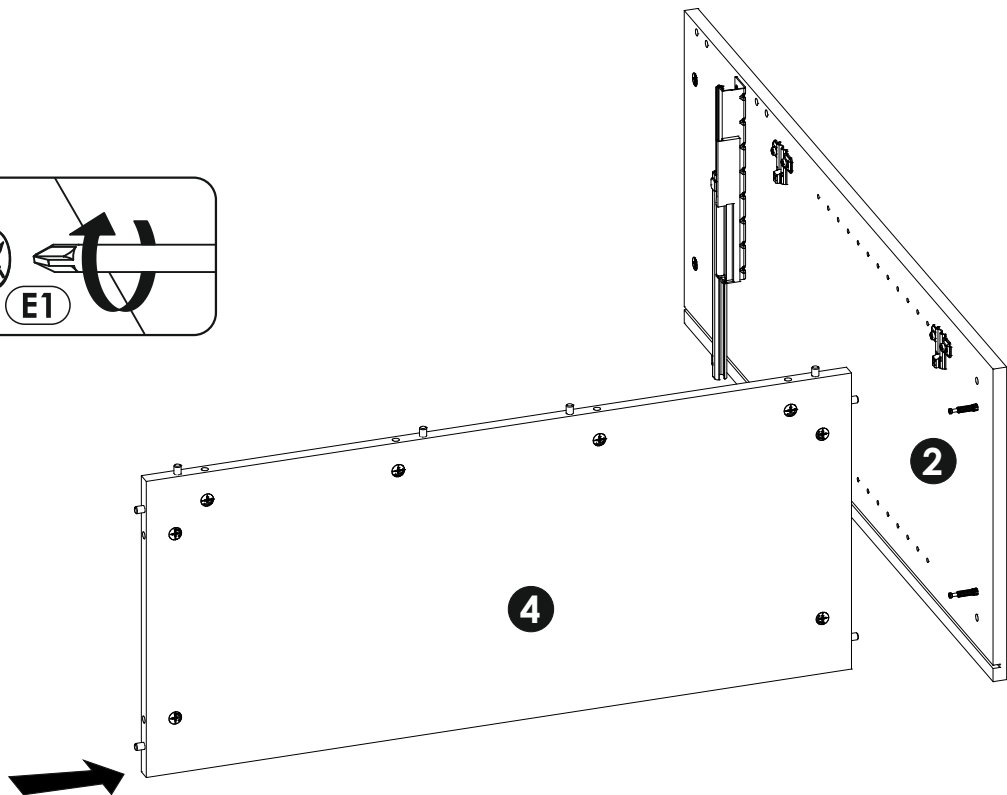
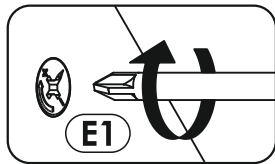
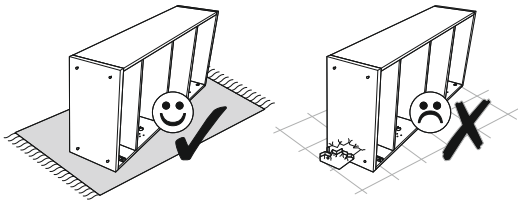
13	858	174	16	x1	2/2
14	799	355	3	x1	2/2
15	957	840	3	x1	1/2
16	826	345	16	x3	1/2

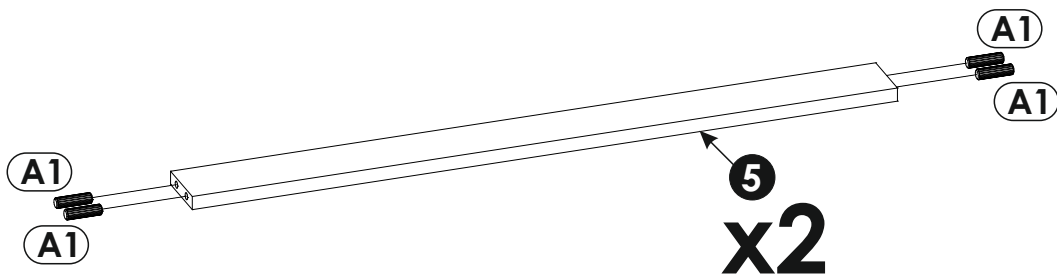
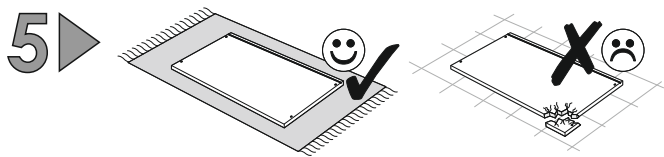
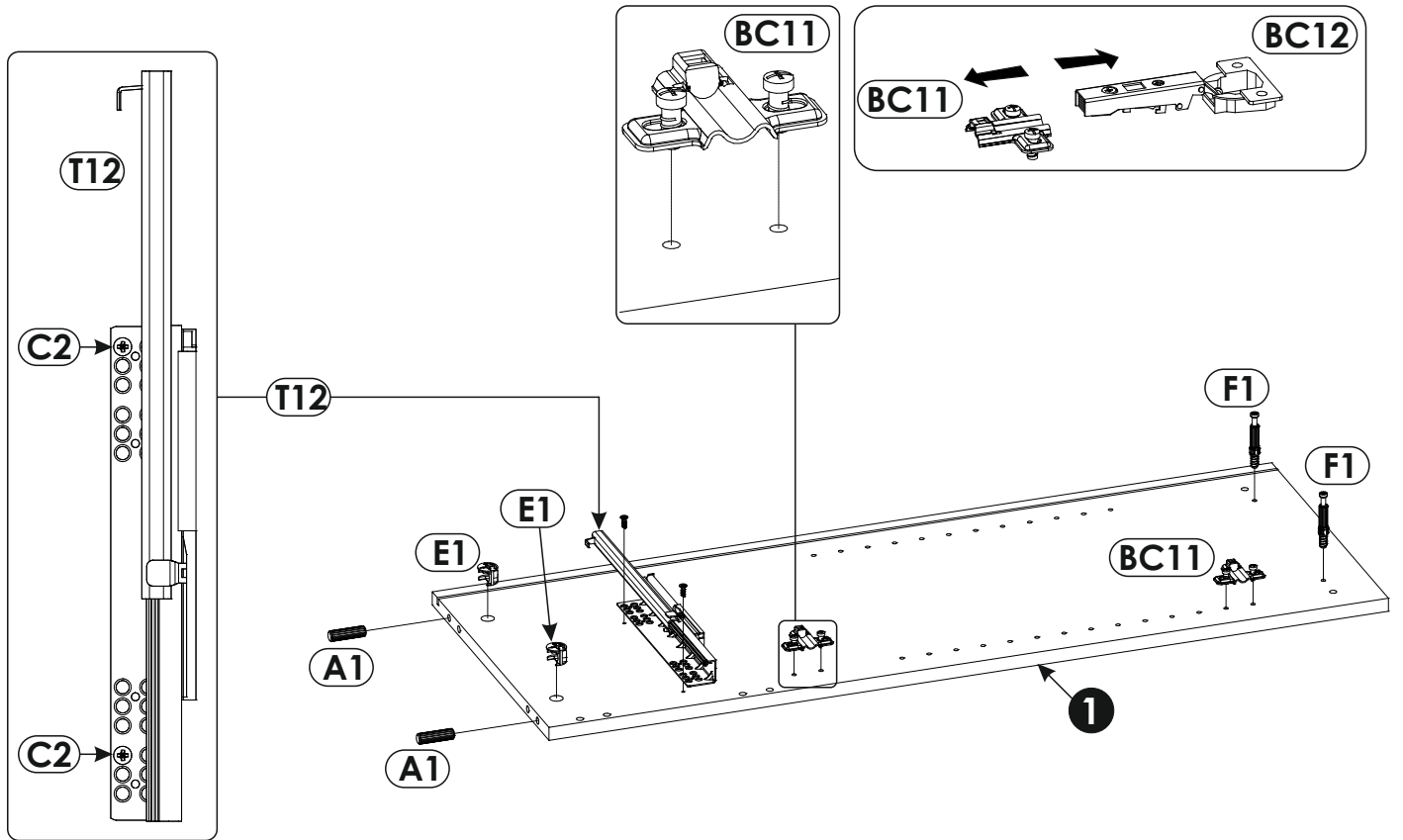
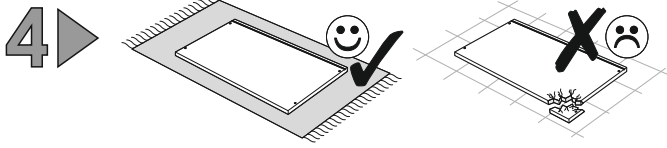


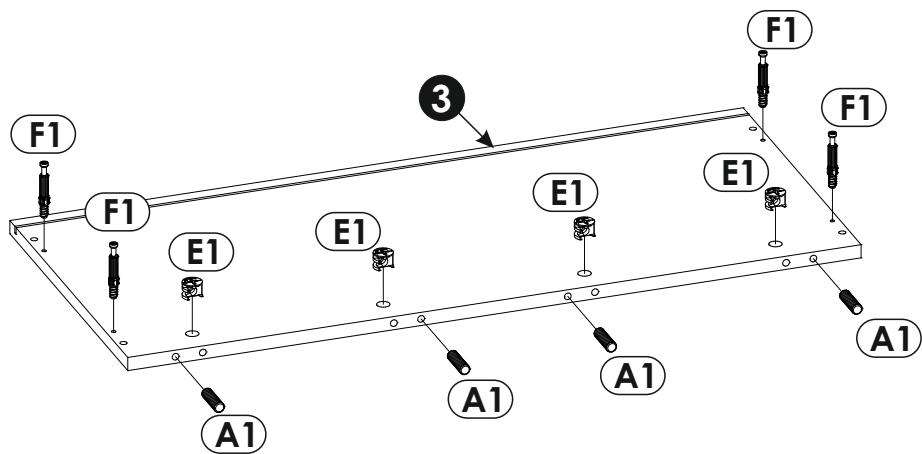
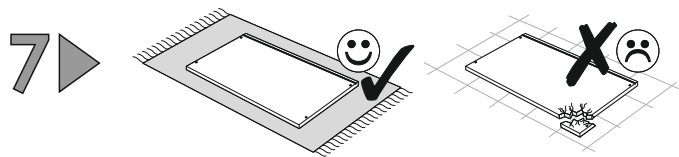
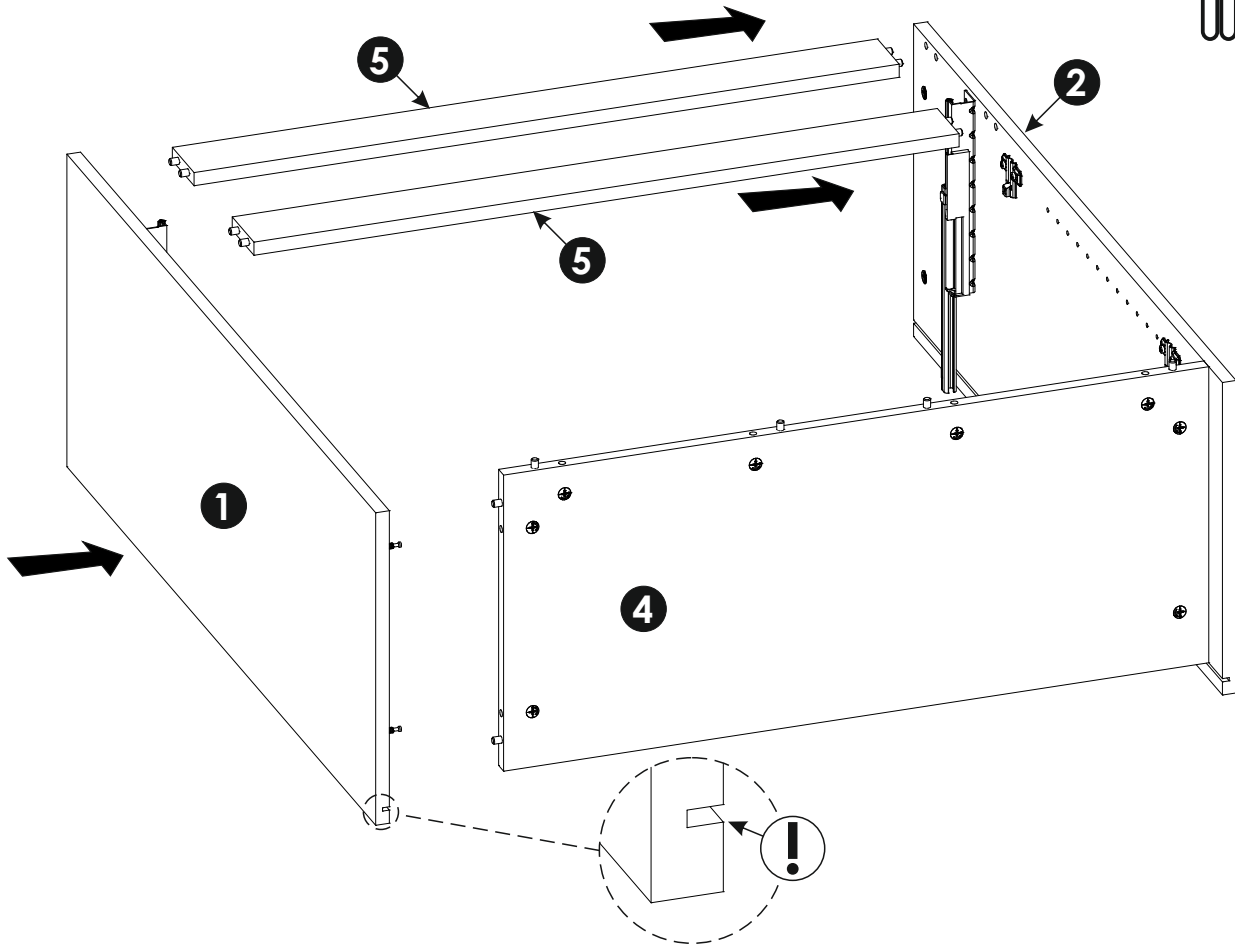
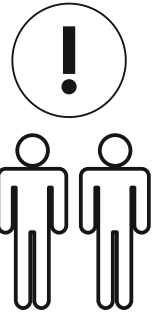
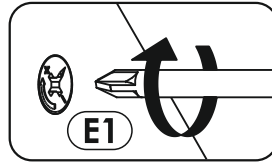
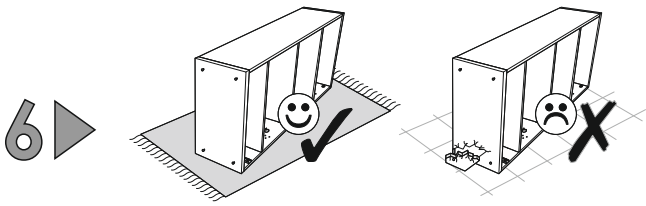
2 ▶

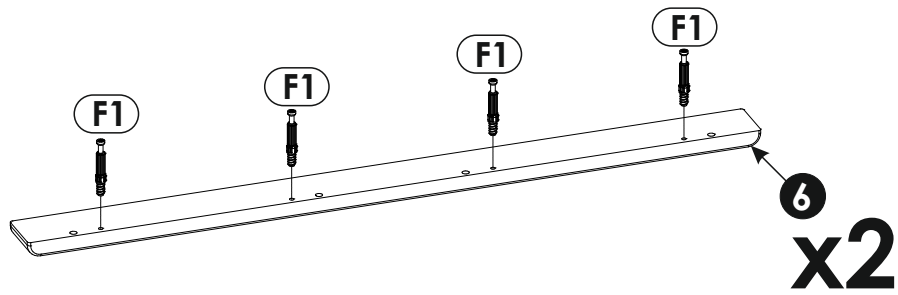
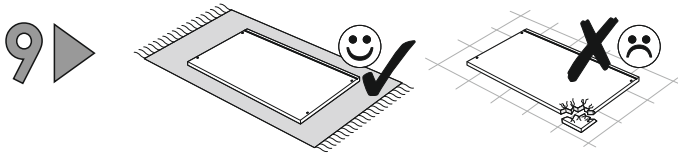
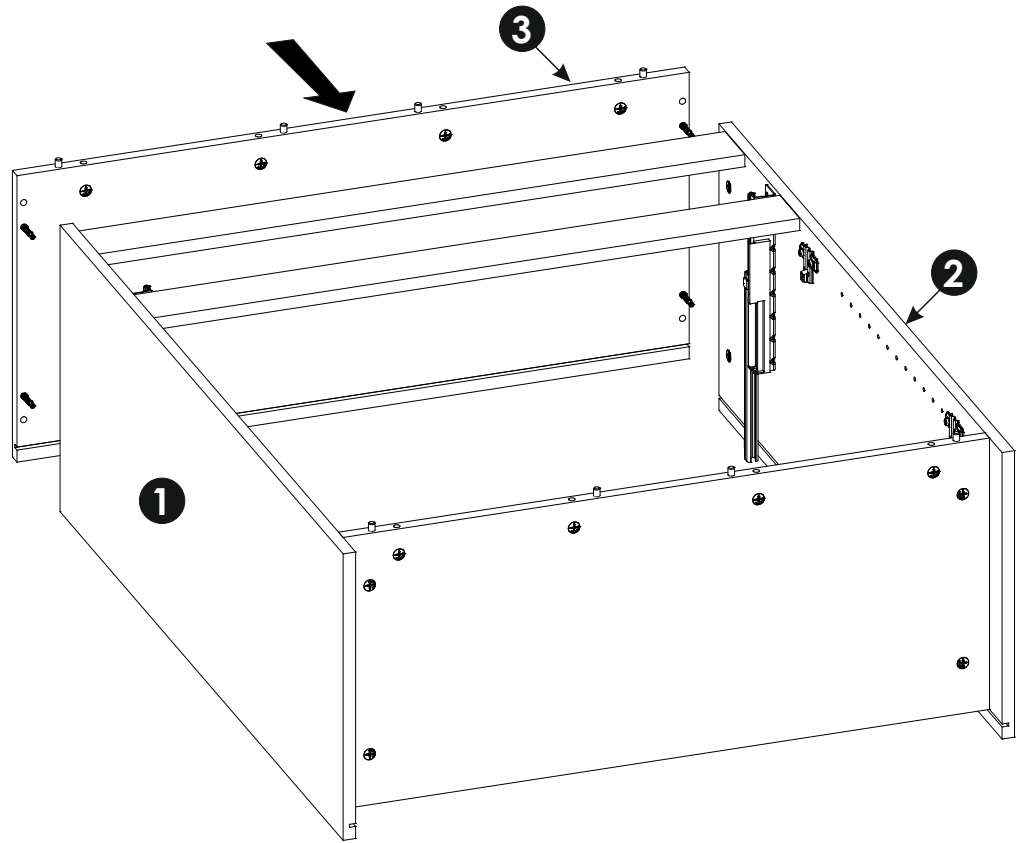
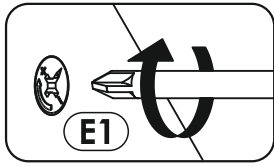
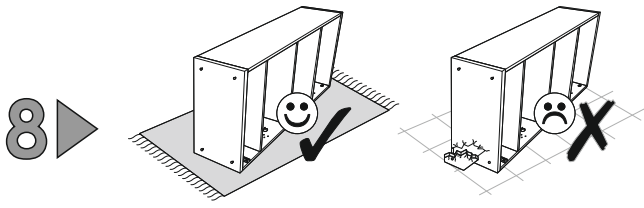


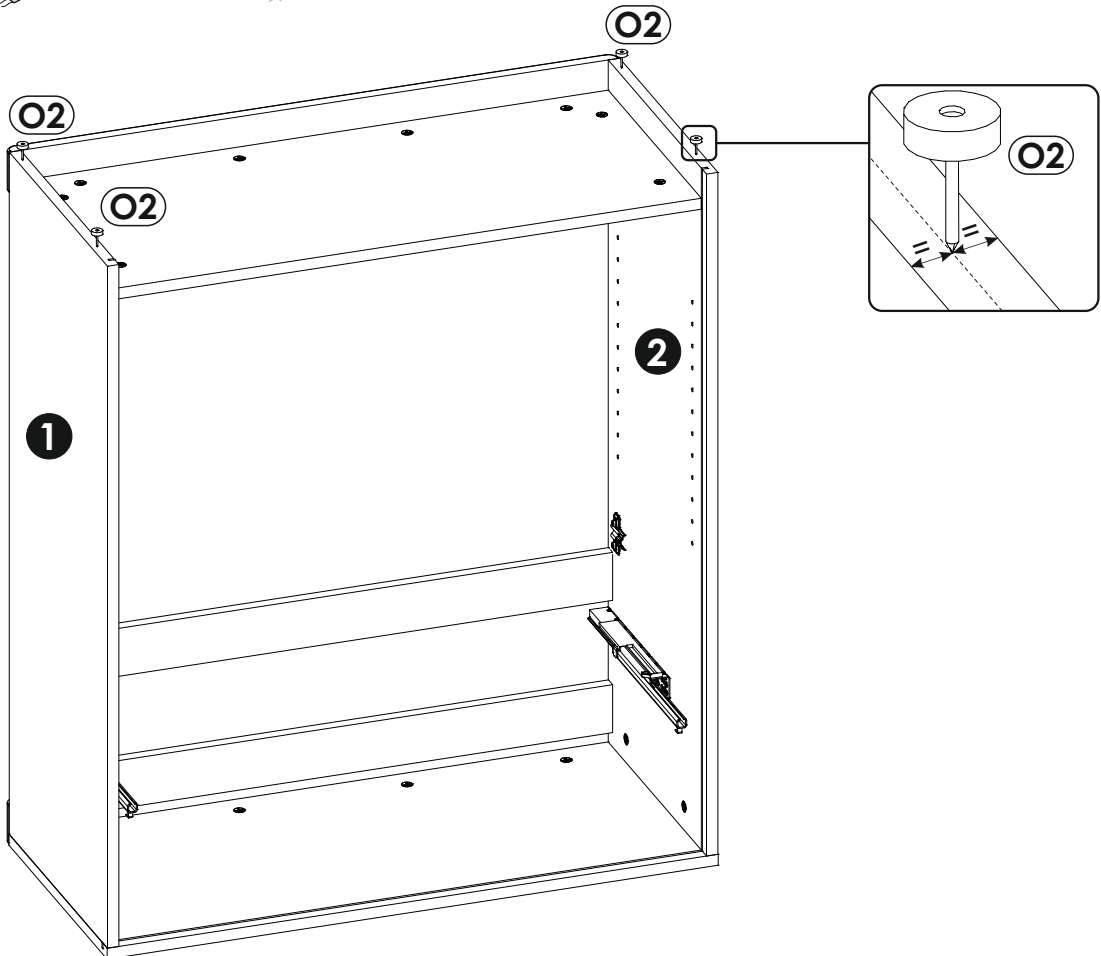
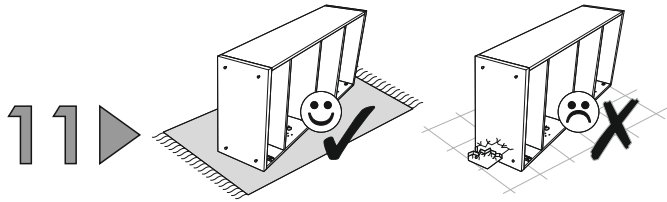
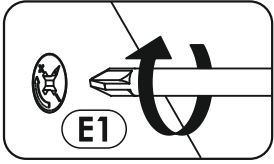
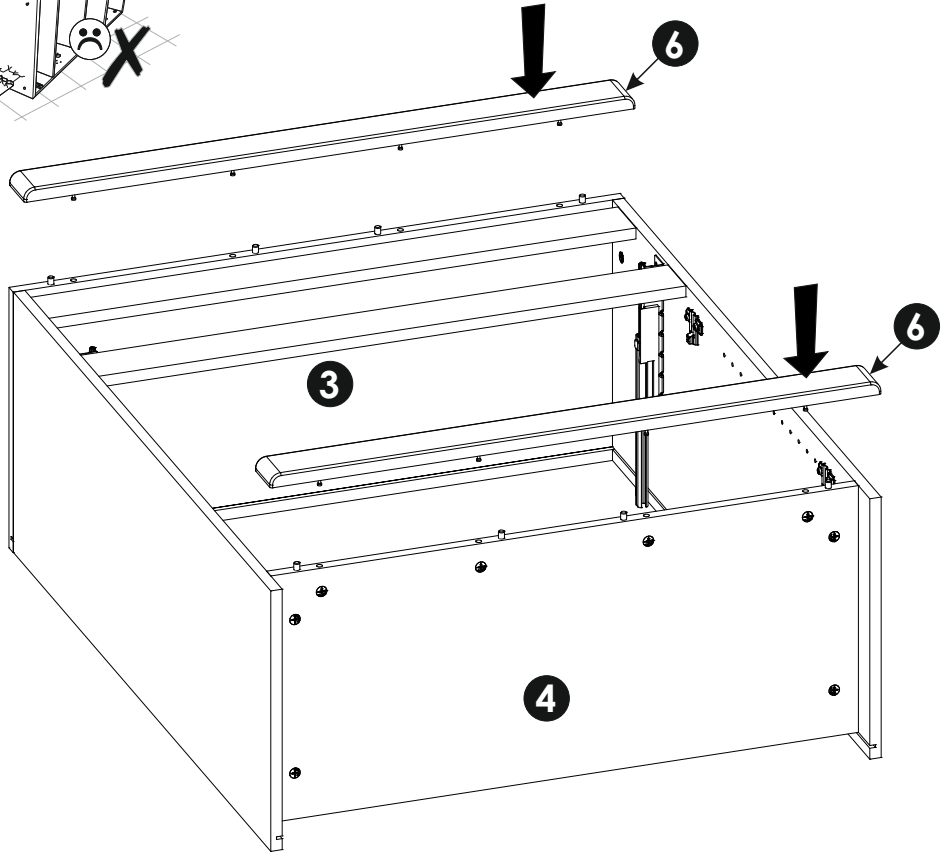
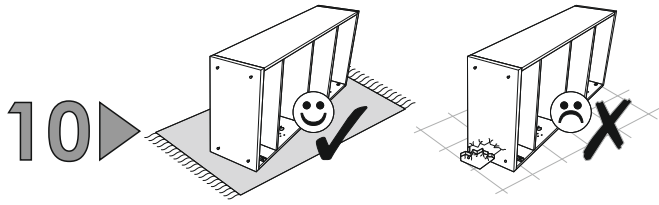
3 ▶

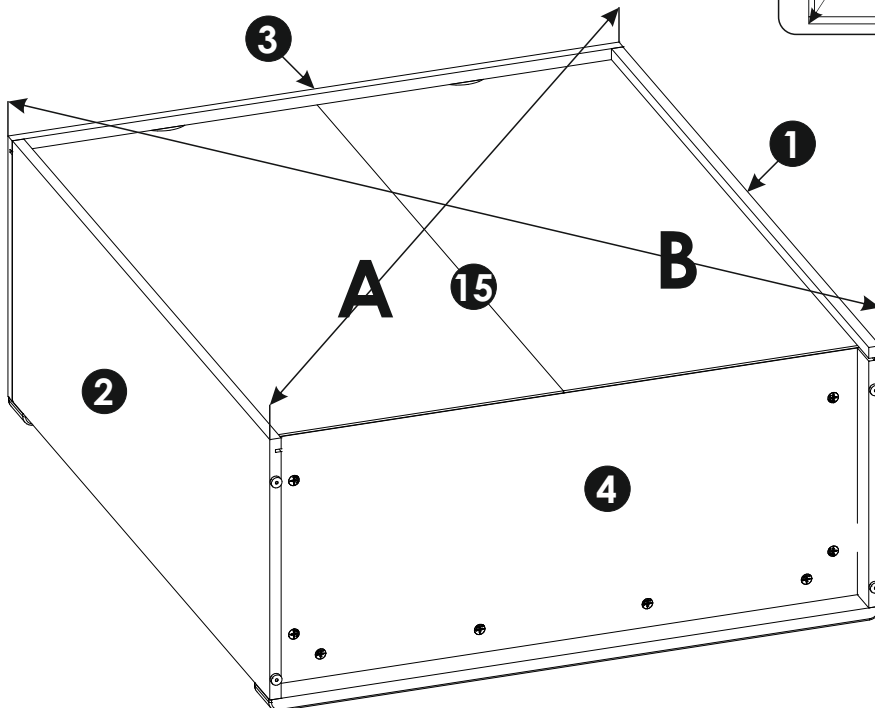
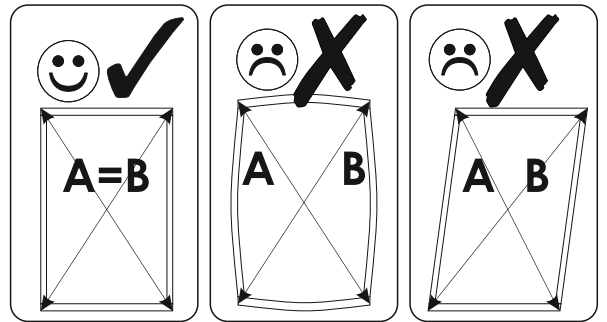
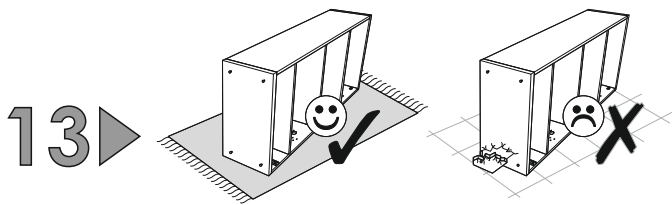
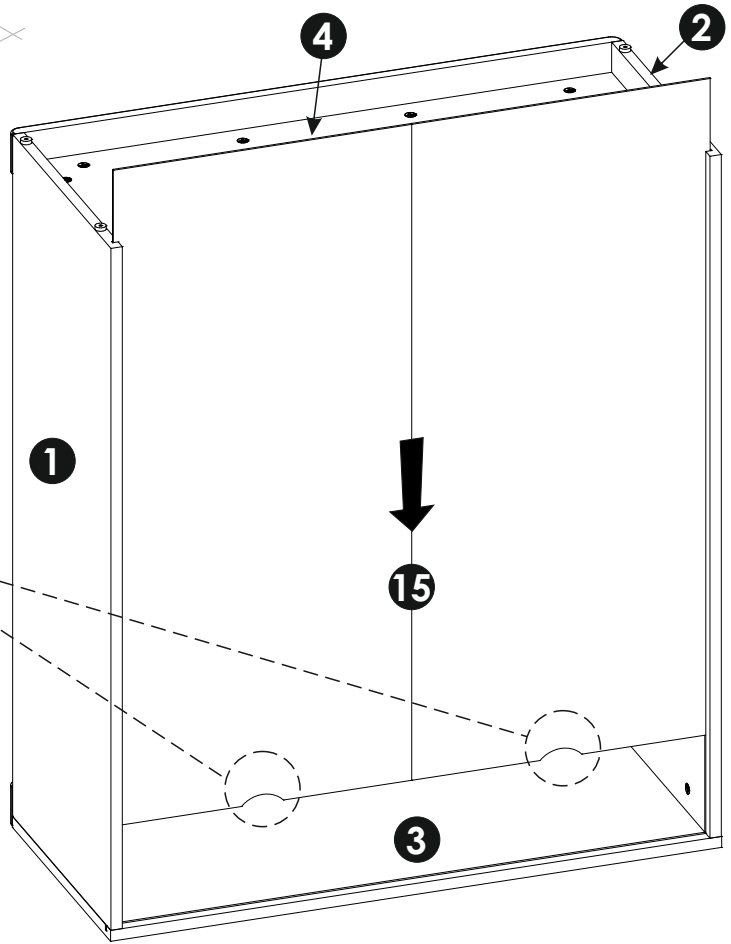
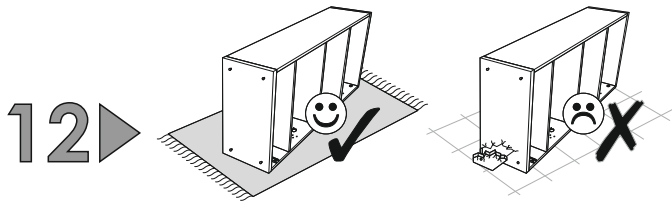




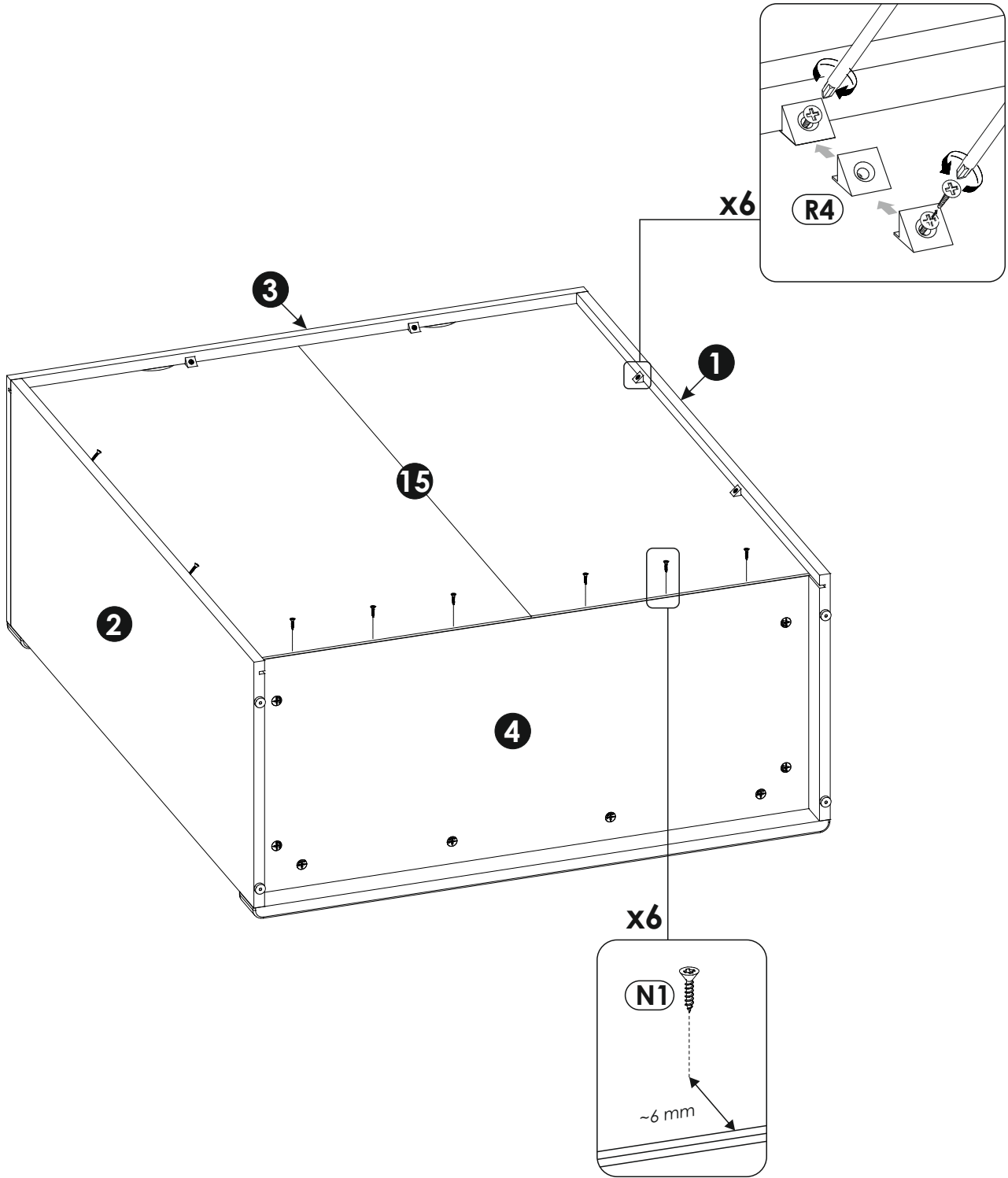
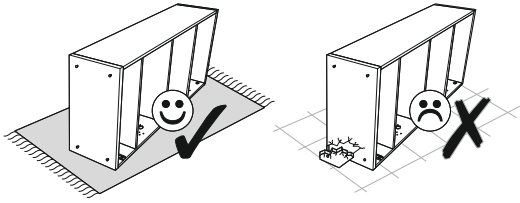


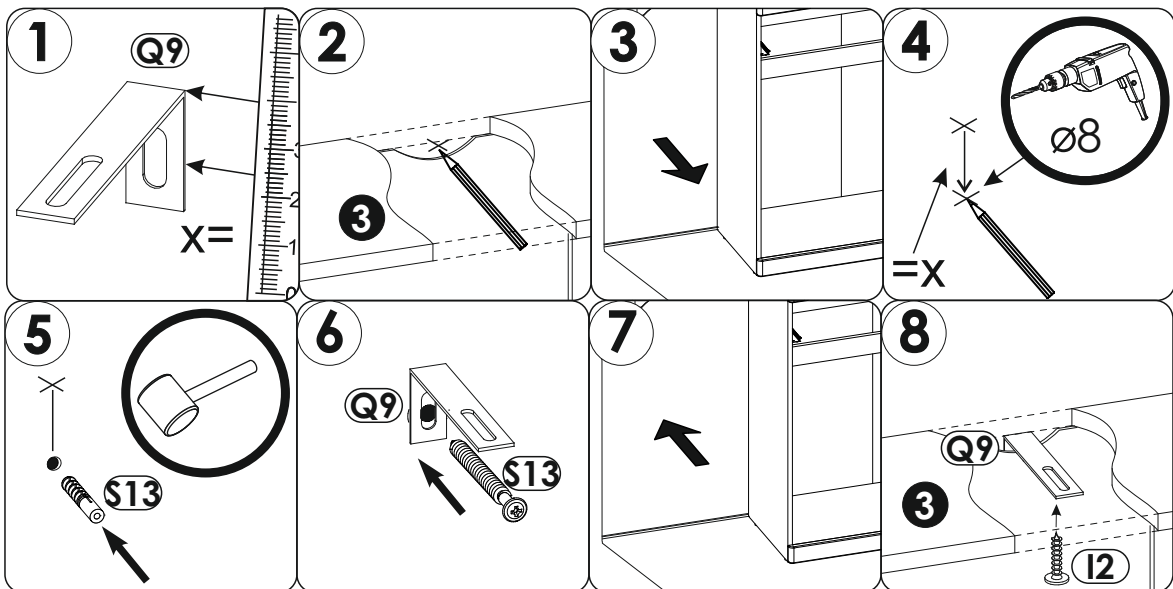
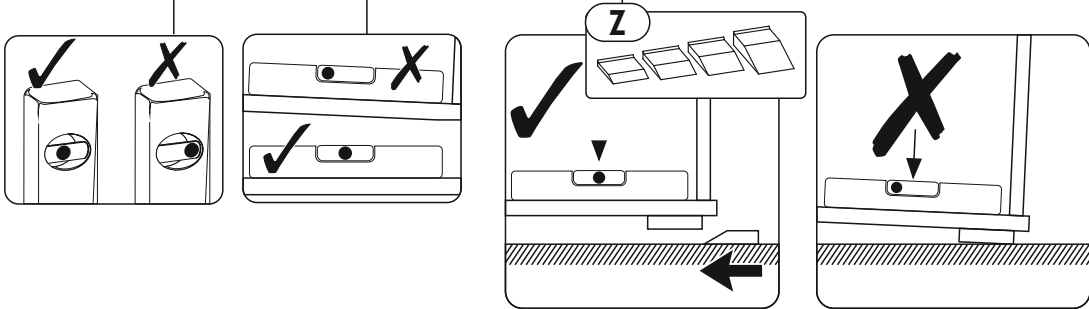
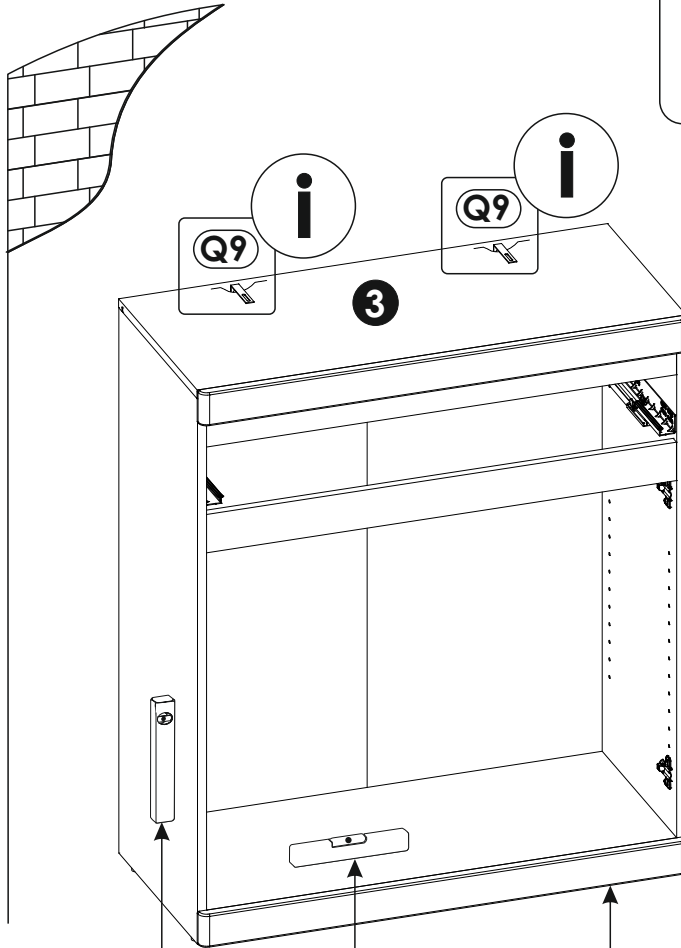
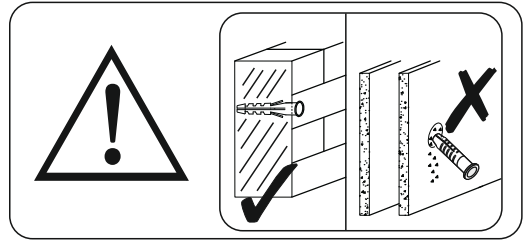




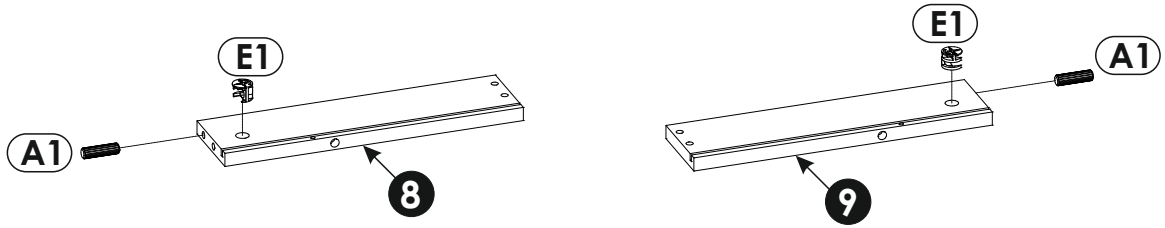
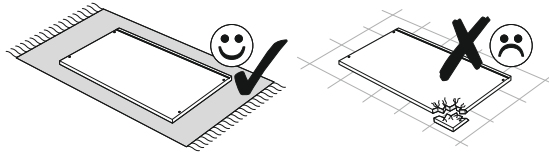


14 ▶

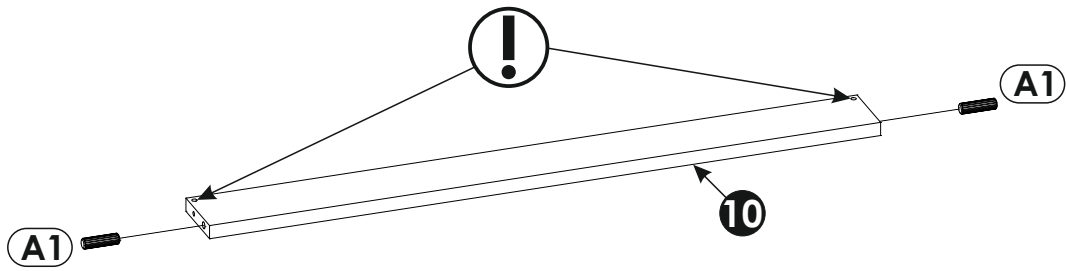
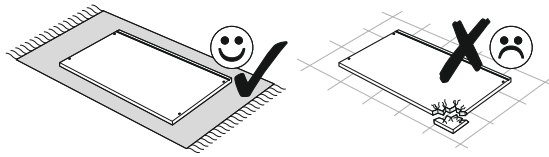




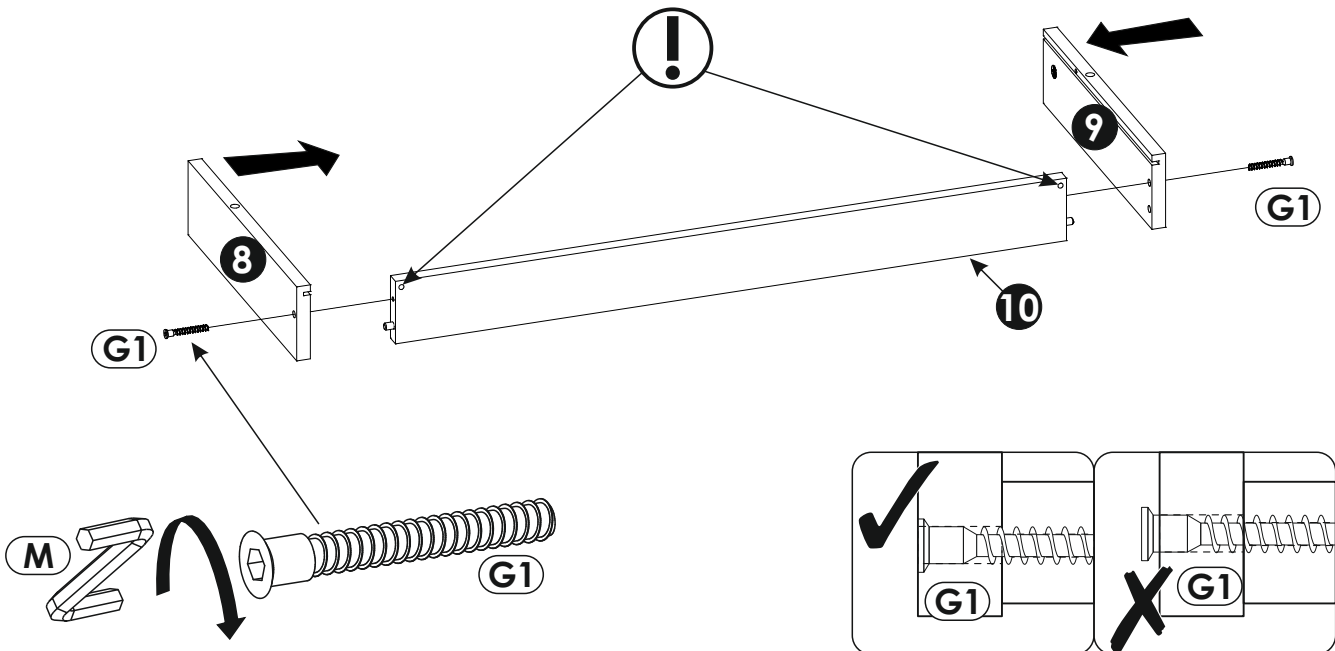
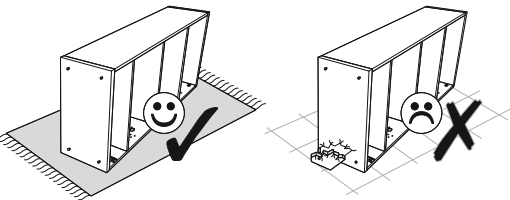
16▶



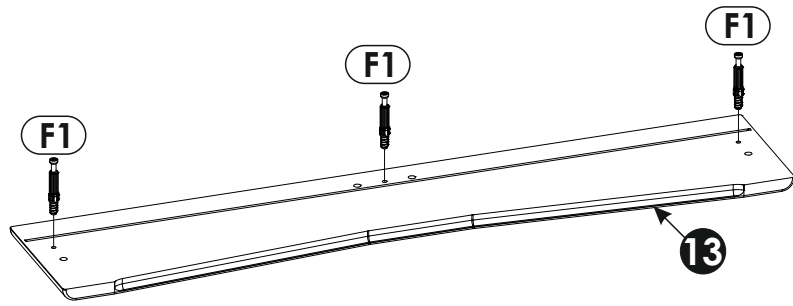
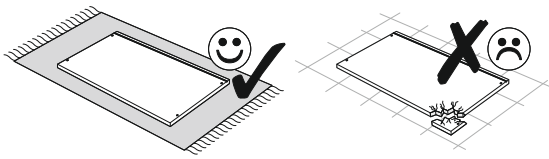
17▶



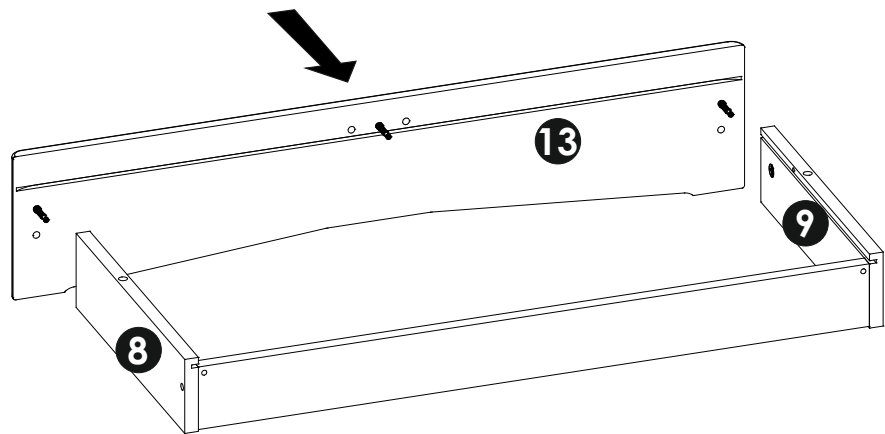
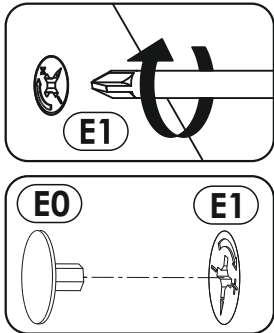
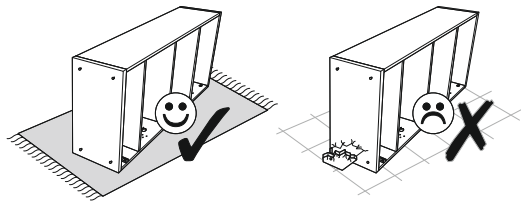
18▶



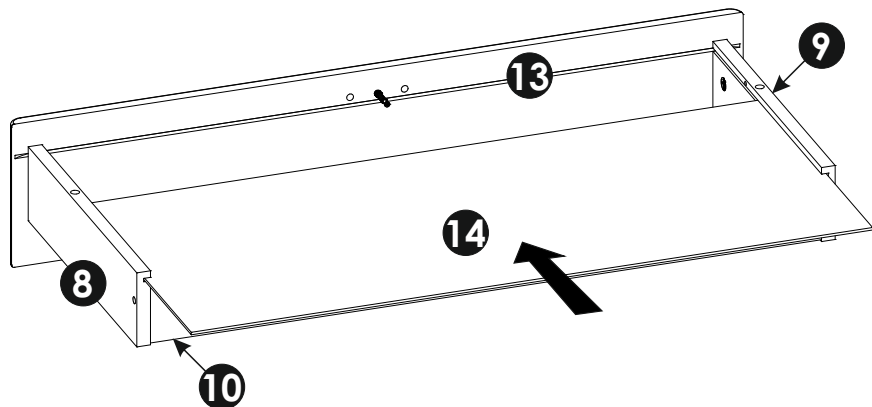
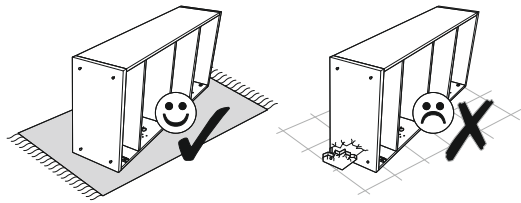
19 ▶



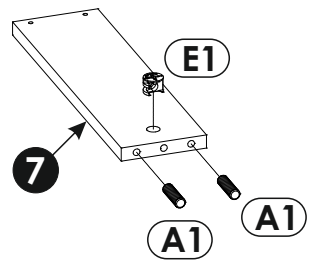
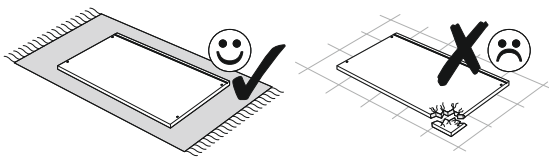
20 ▶



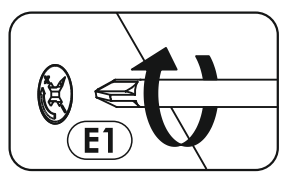
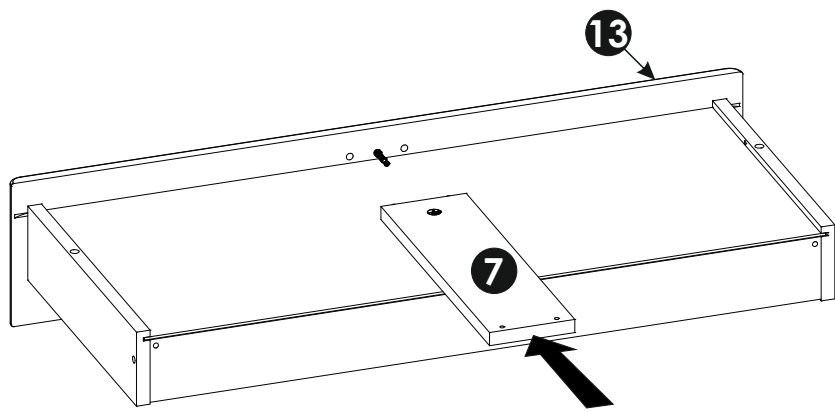
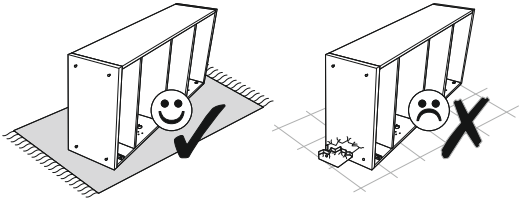
21 ▶



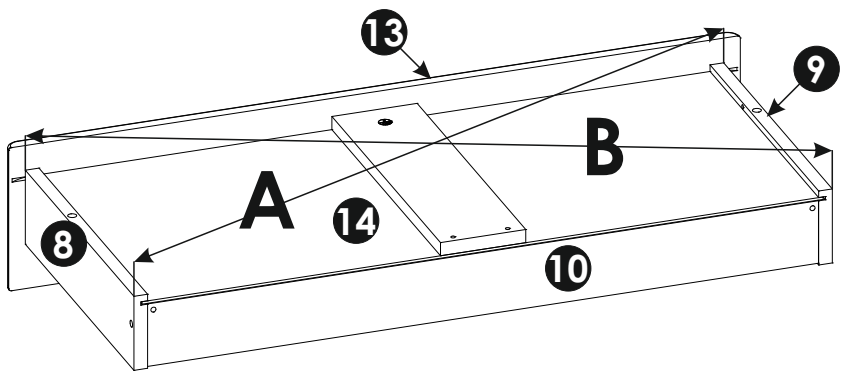
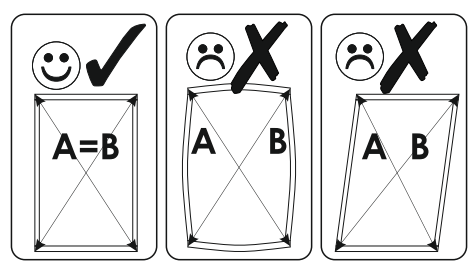
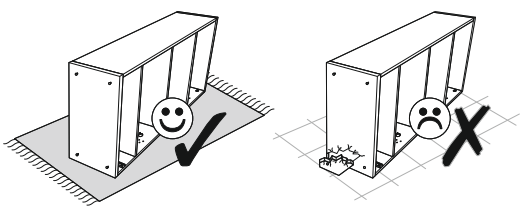
22▶



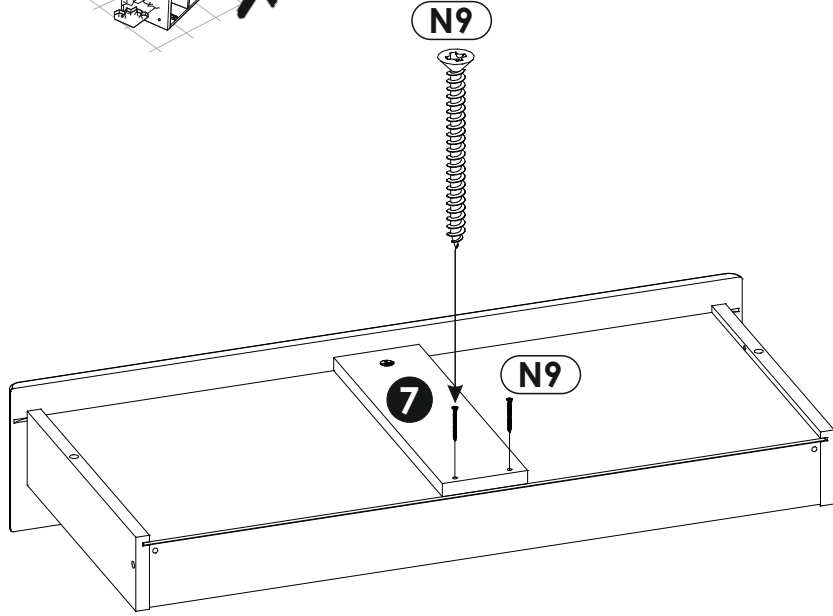
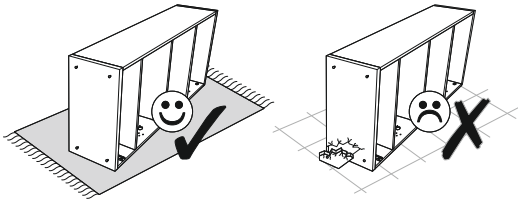
23▶



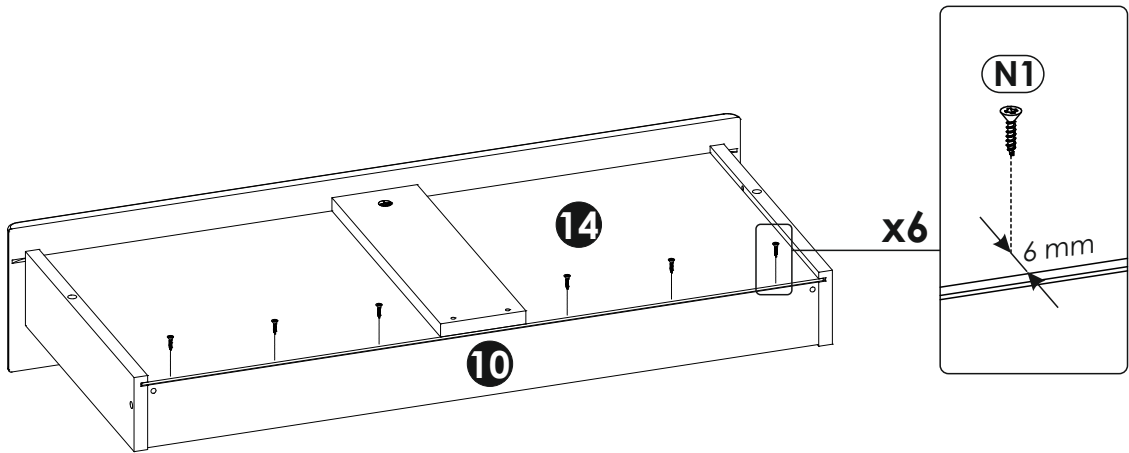
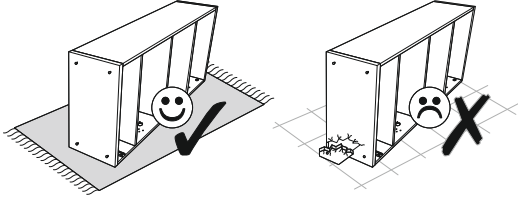
24▶

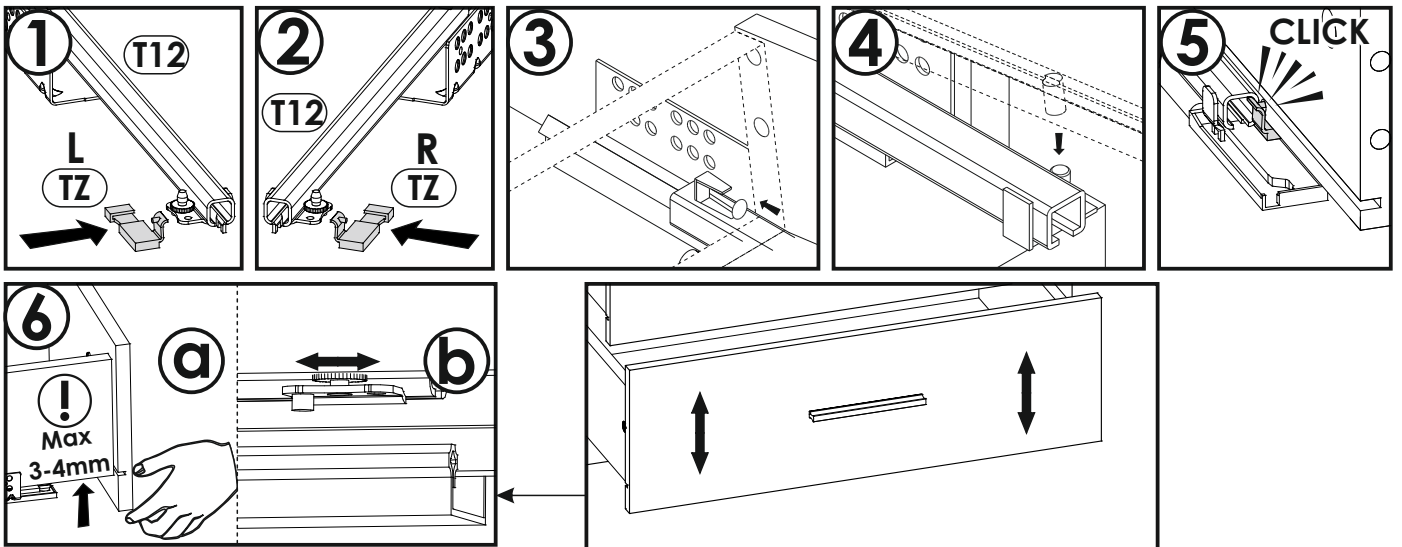
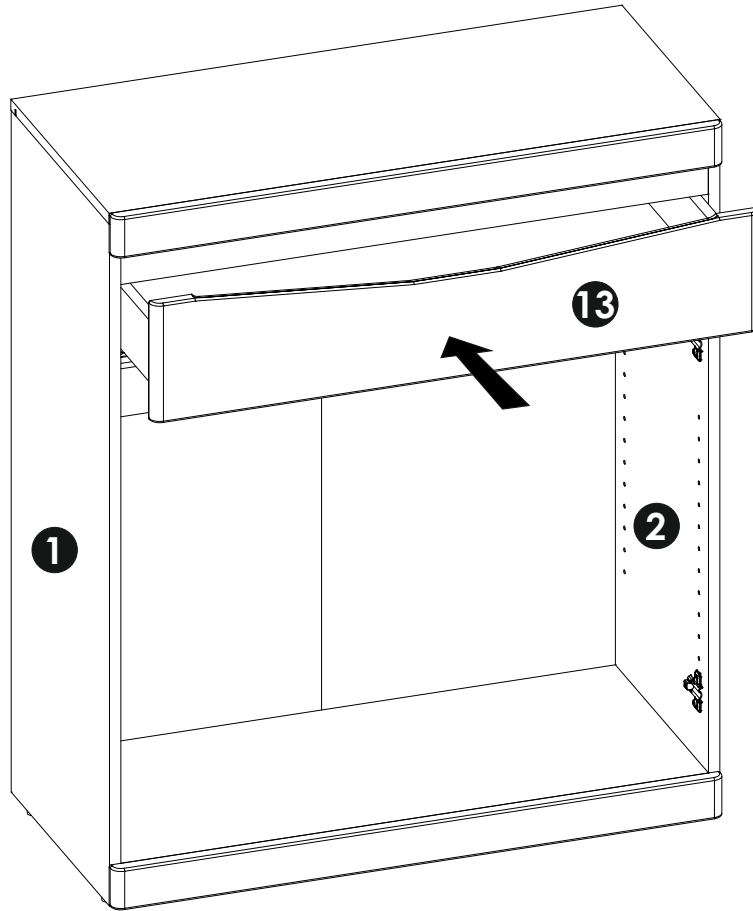


25 ▶

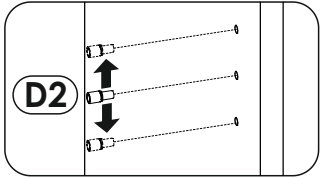
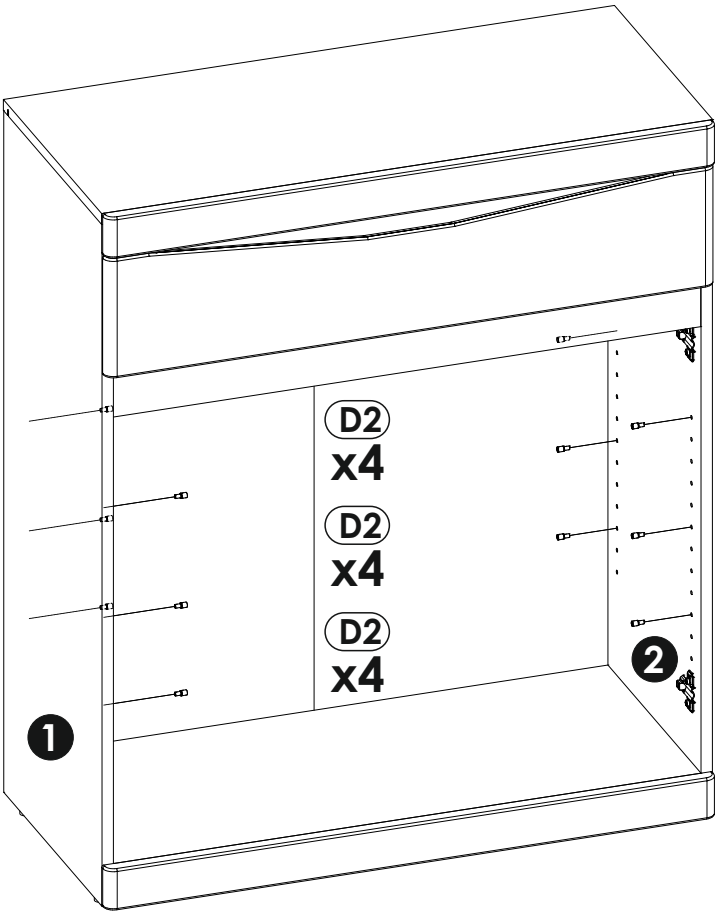


26 ▶

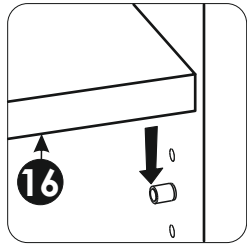
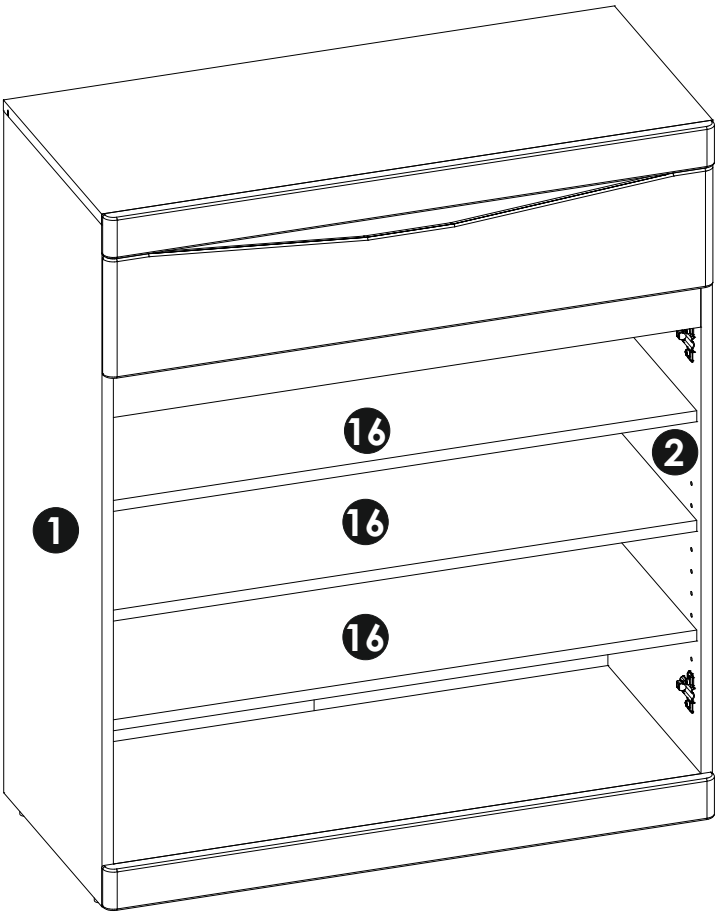




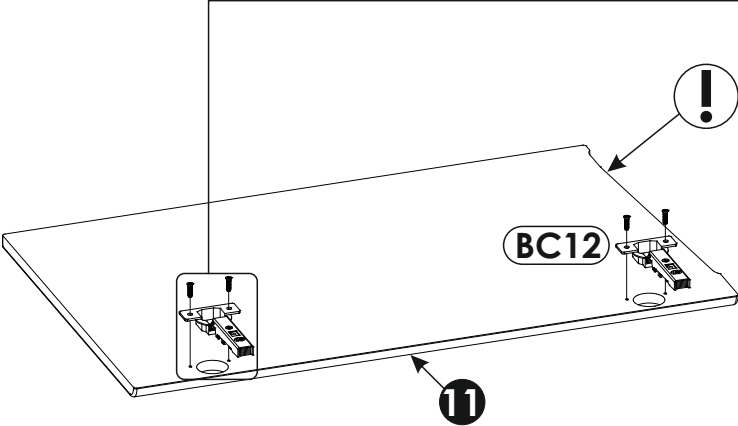
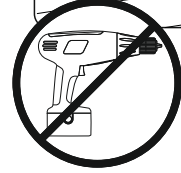
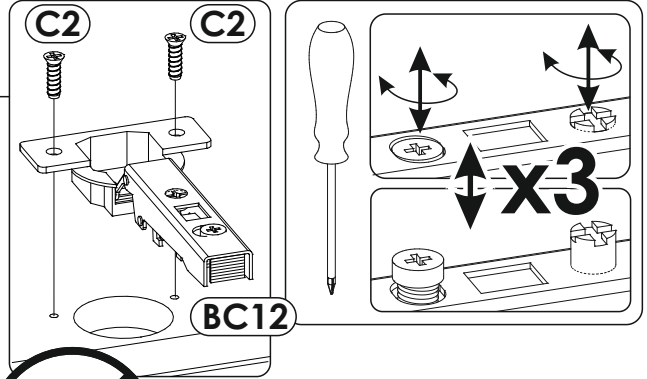
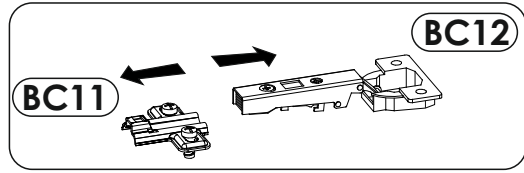
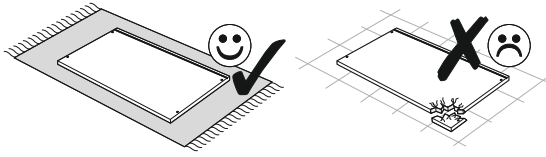
28▶



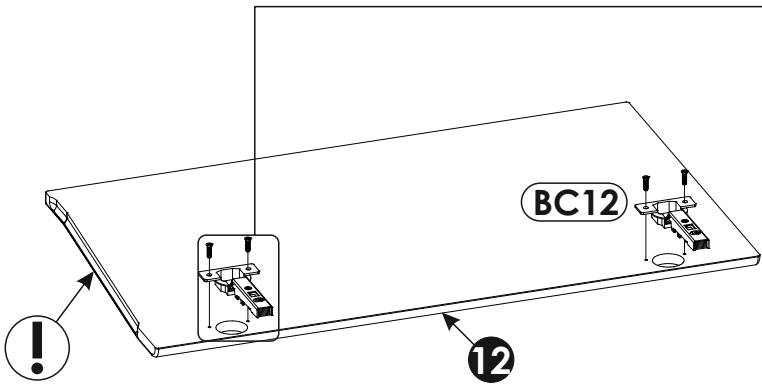
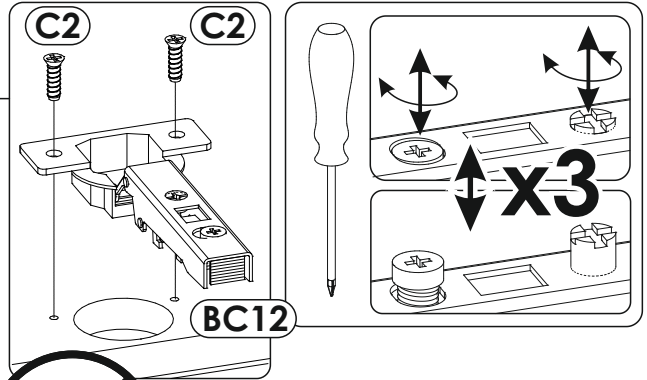
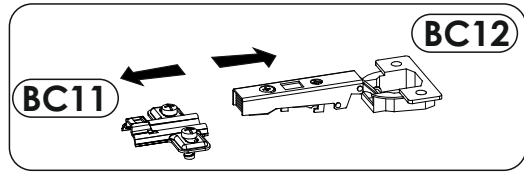
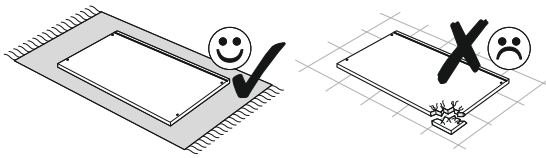
29▶

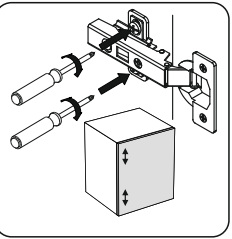
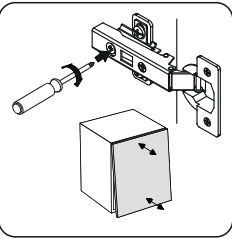
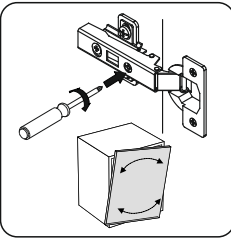
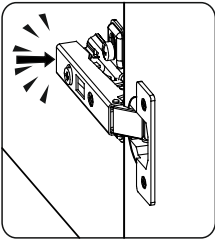
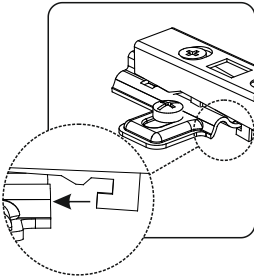
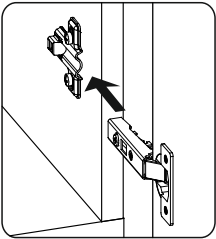
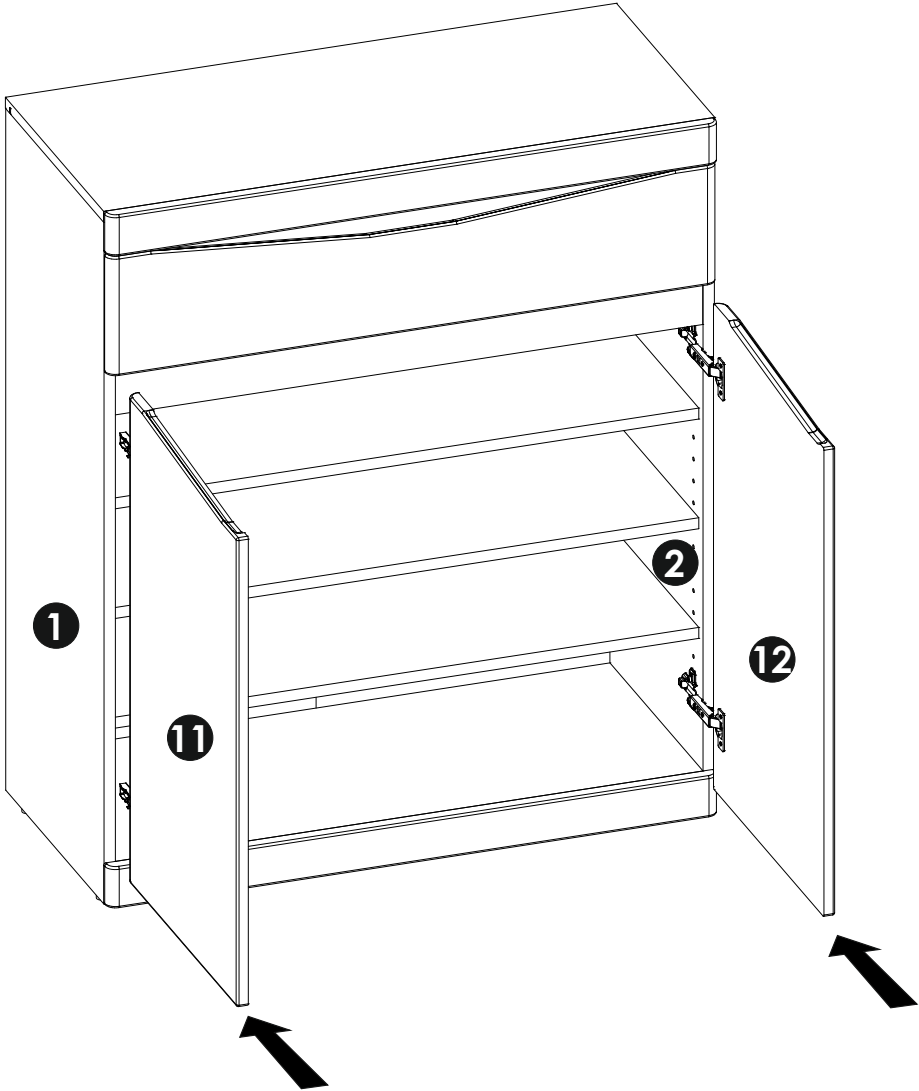


30 ▶



31 ▶





33 ▶

