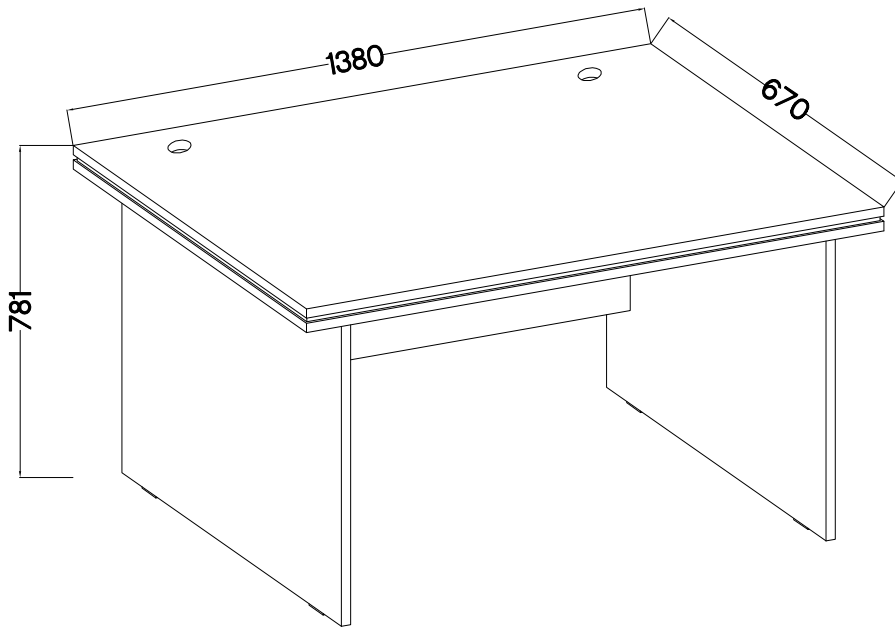
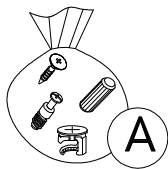
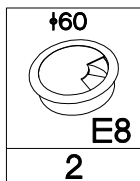
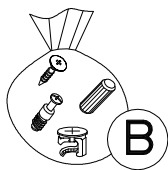
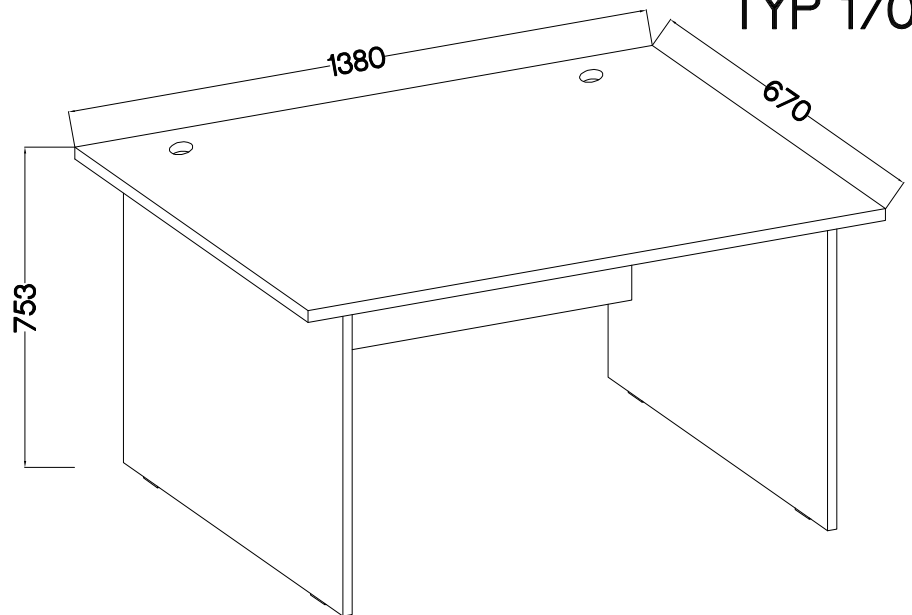


TYP 180

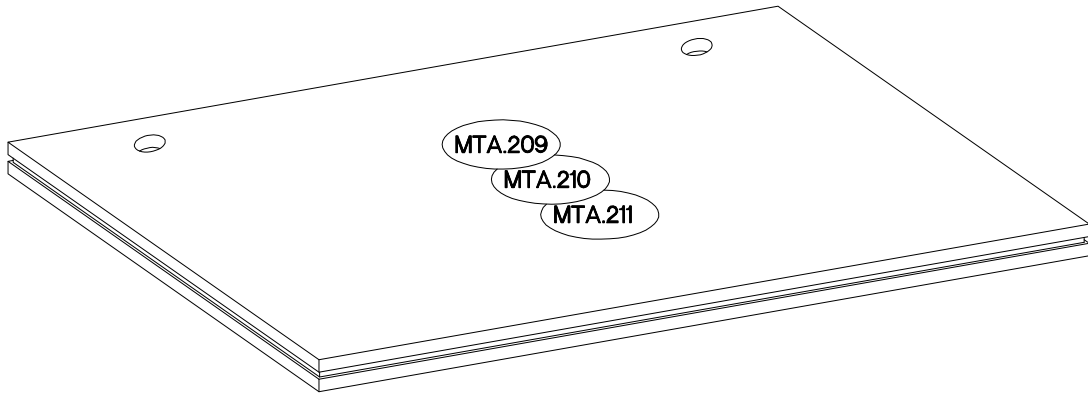


TYP 170

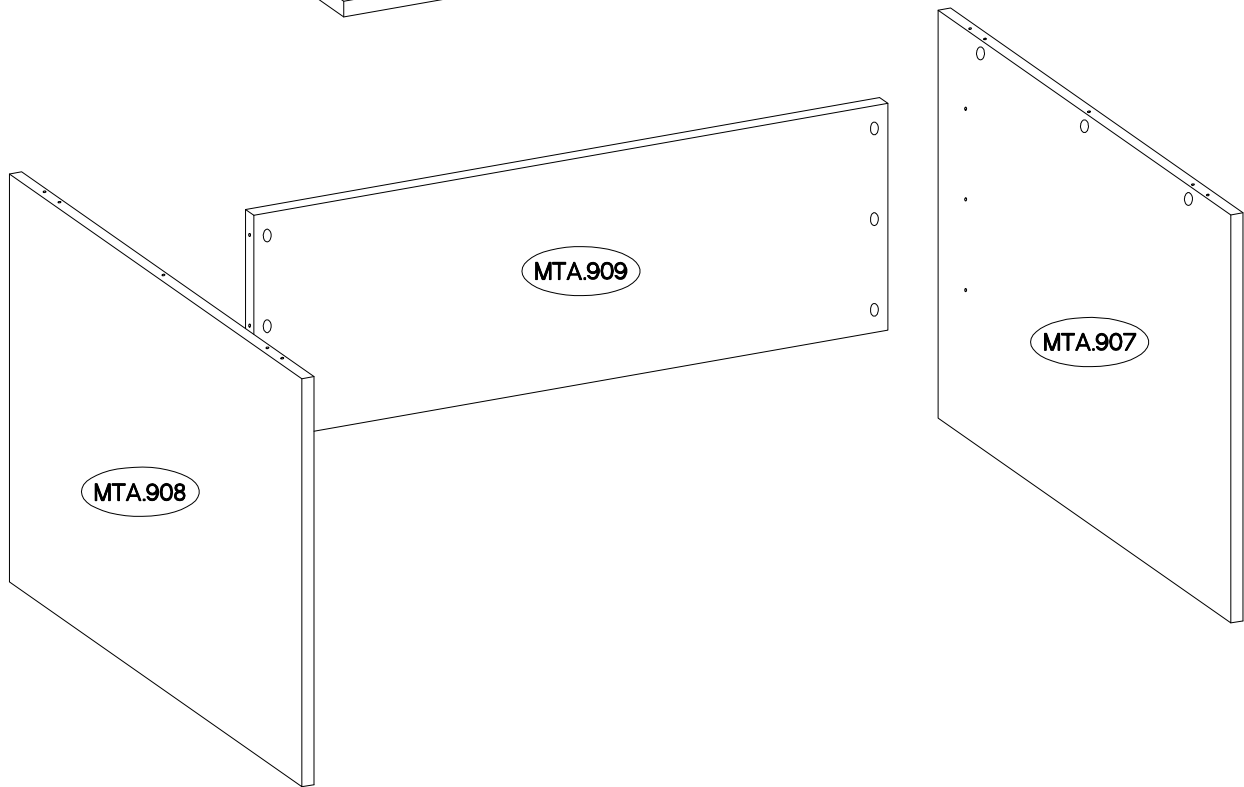
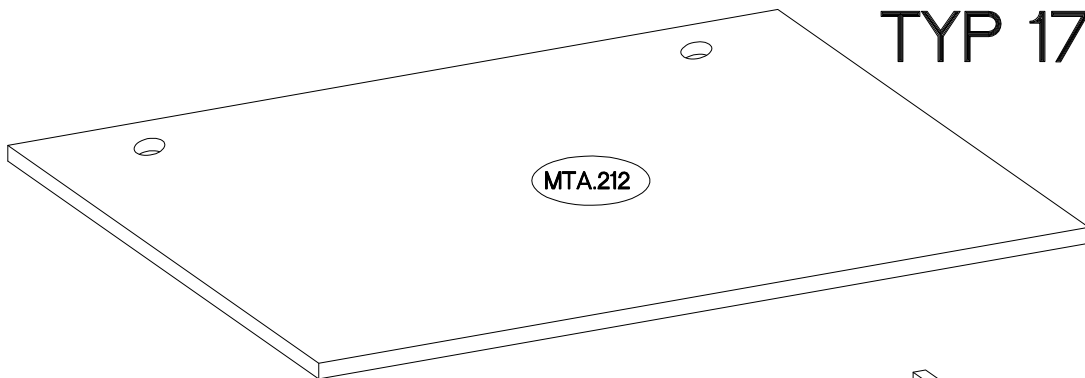


+8x30mm  A 4	+15/12mm  C 12	L=20mm  D2 12	6.5x48x16  F2 4	+20  E11 12
-----------------------	-------------------------	------------------------	--------------------------	----------------------

# TYP 180



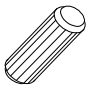


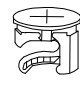
# TYP 170

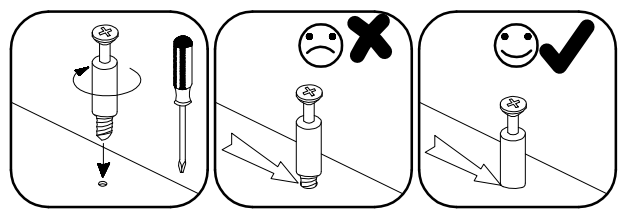
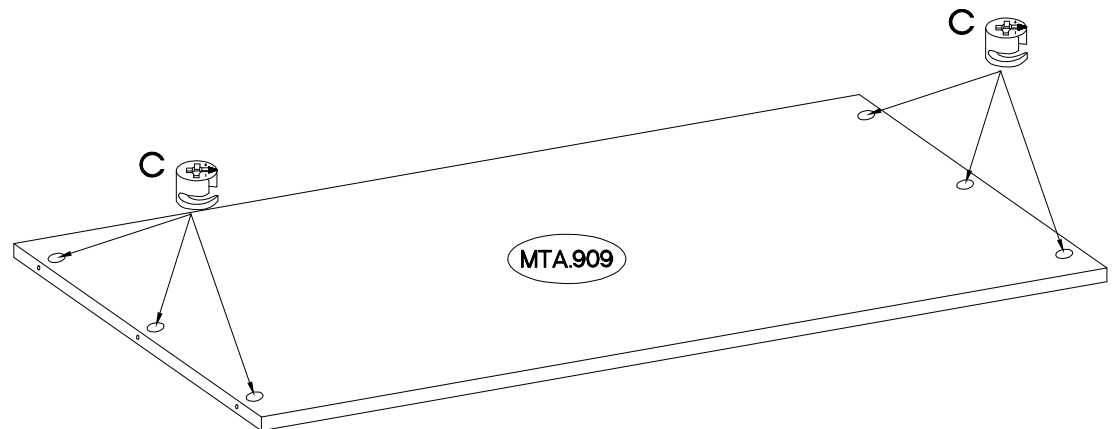
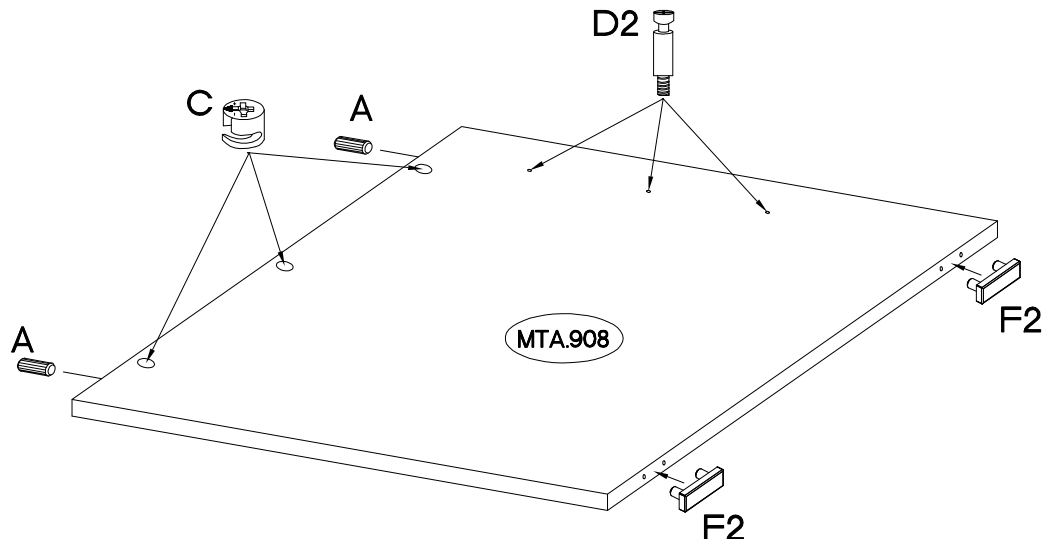
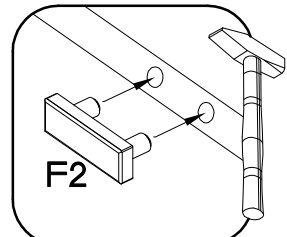
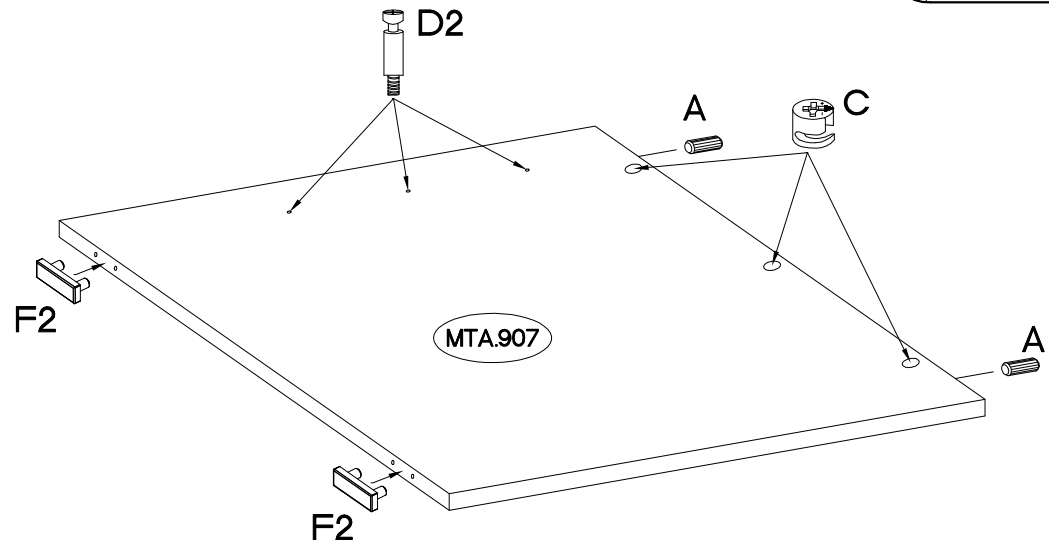
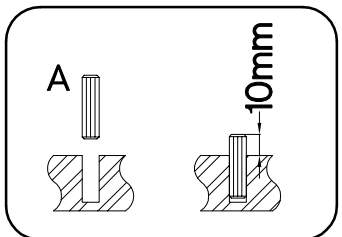
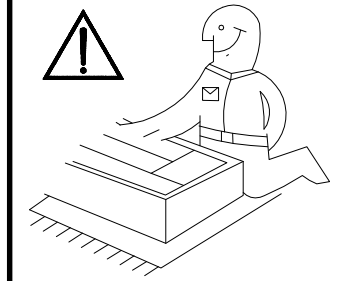
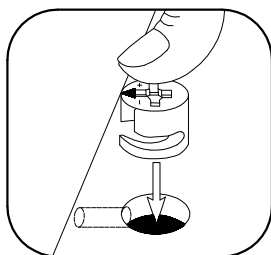


MTA.907	720x630x22
MTA.908	720x630x22
MTA.909	1136x400x18

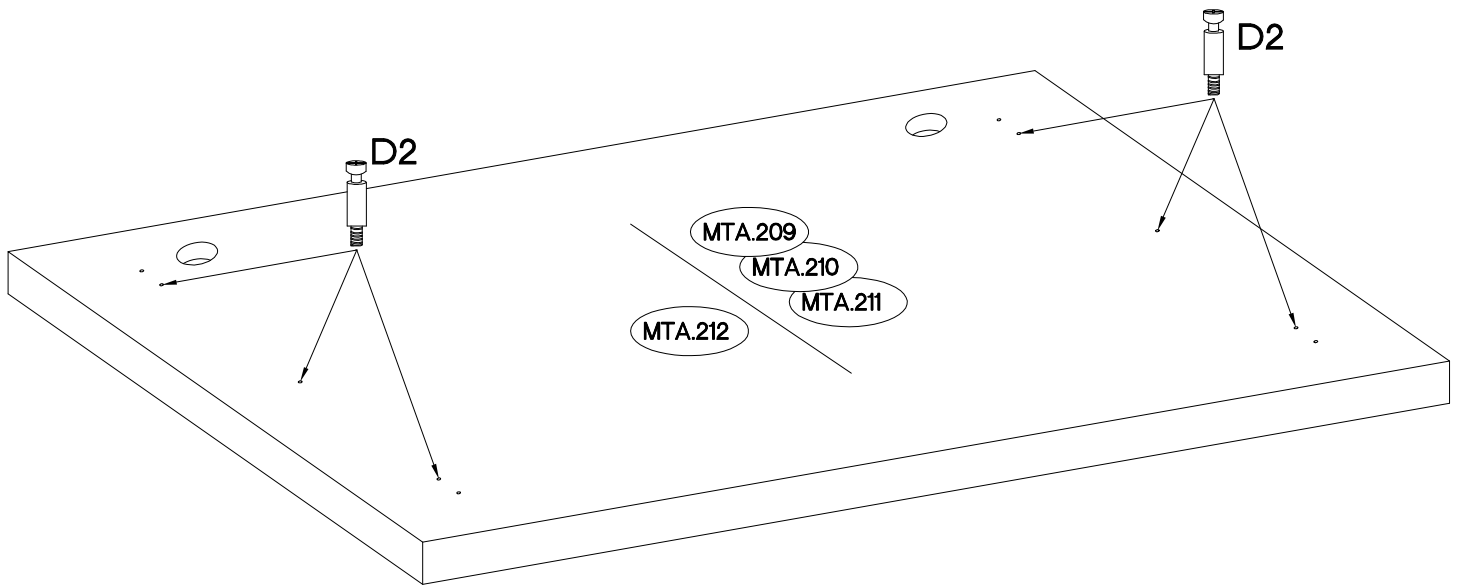
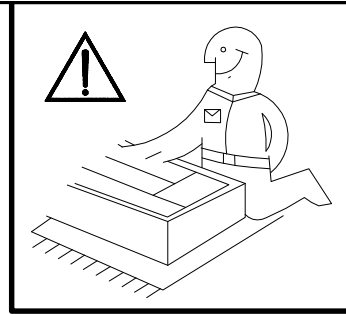
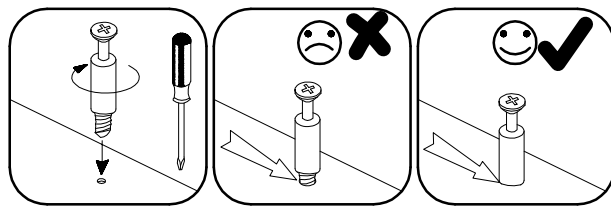
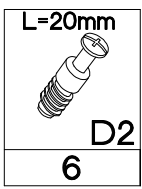
MTA.209	1380x670x22
MTA.210	1370x660x12
MTA.211	1380x670x22

MTA.212	1380x670x28
---------	-------------

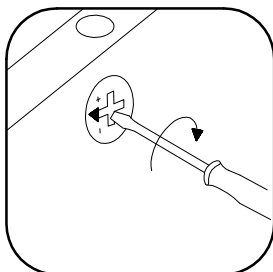
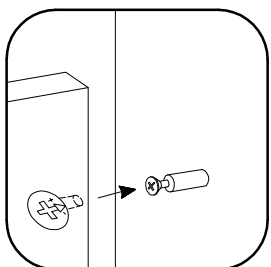
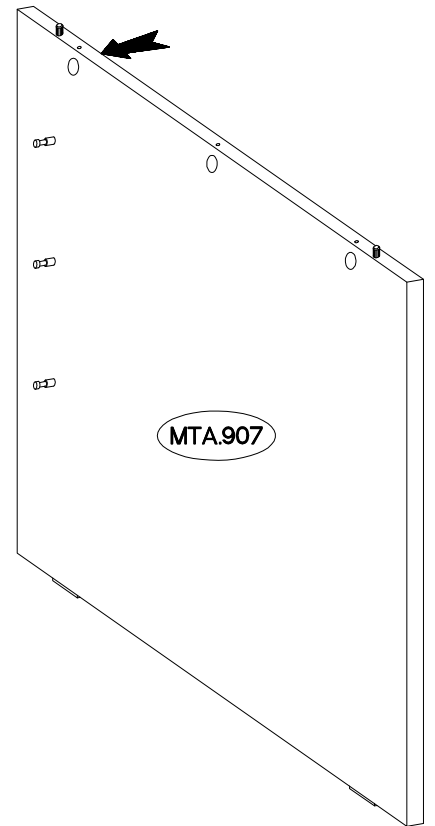
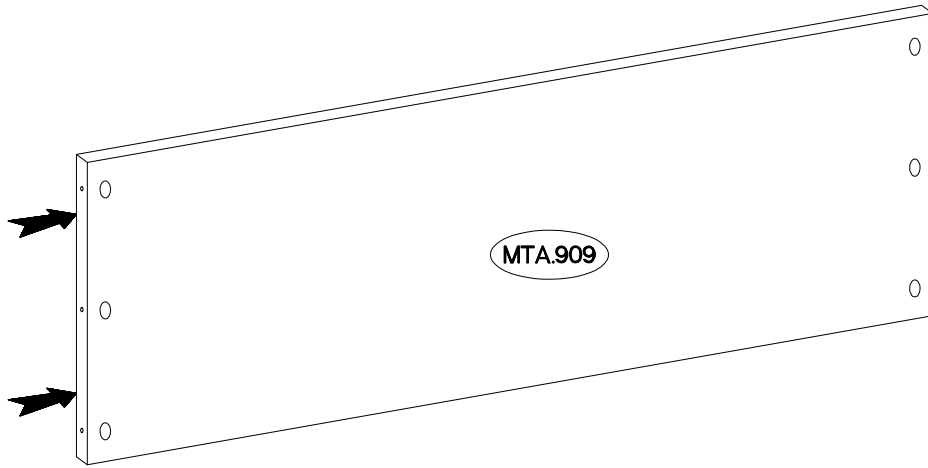
$\varnothing 8 \times 30 \text{mm}$  A 4	$6.5 \times 48 \times 16$  F2 4	$L=20 \text{mm}$  D2 6	$\varnothing 15 / 12 \text{mm}$  C 12
---	--	---	--



2

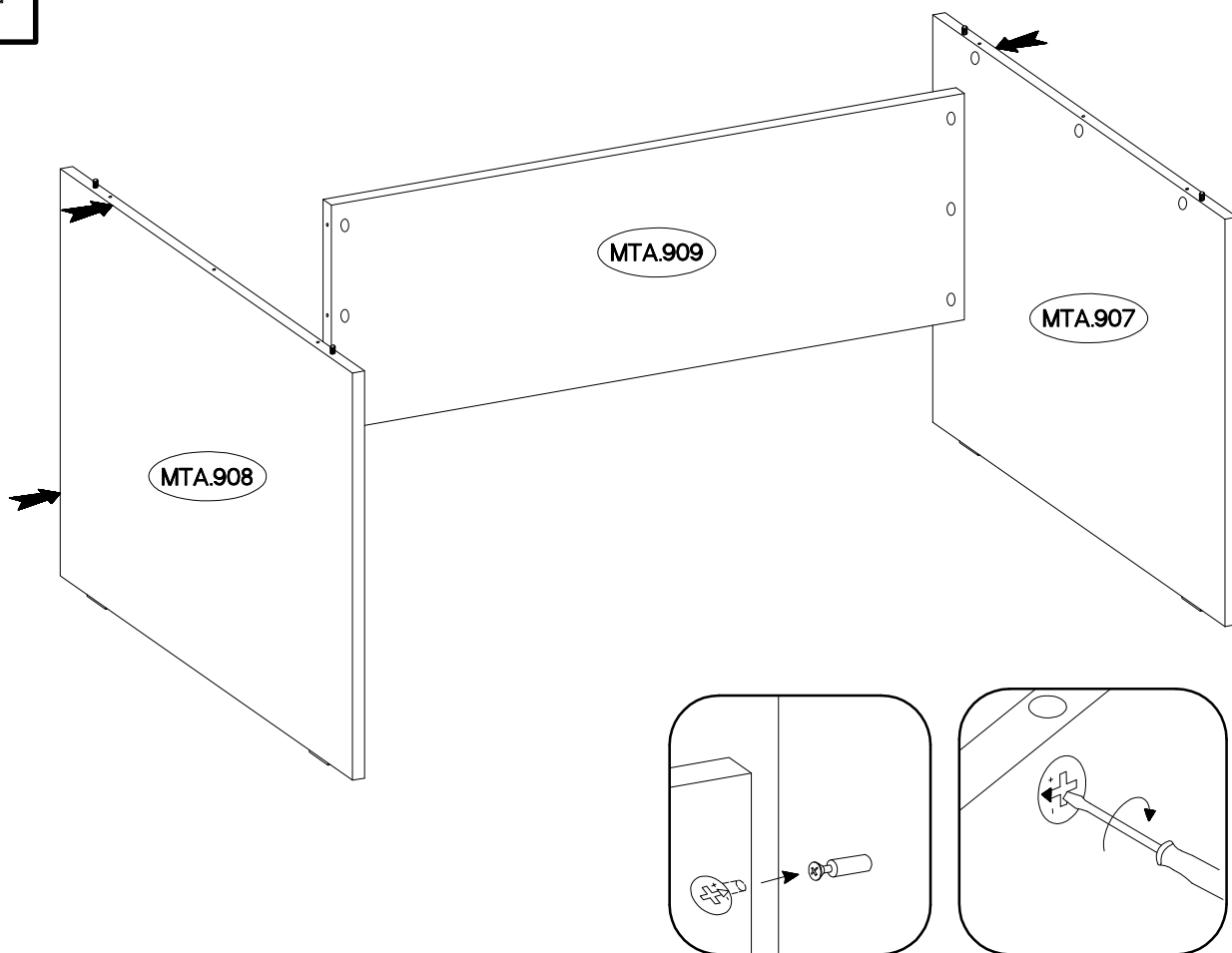


3

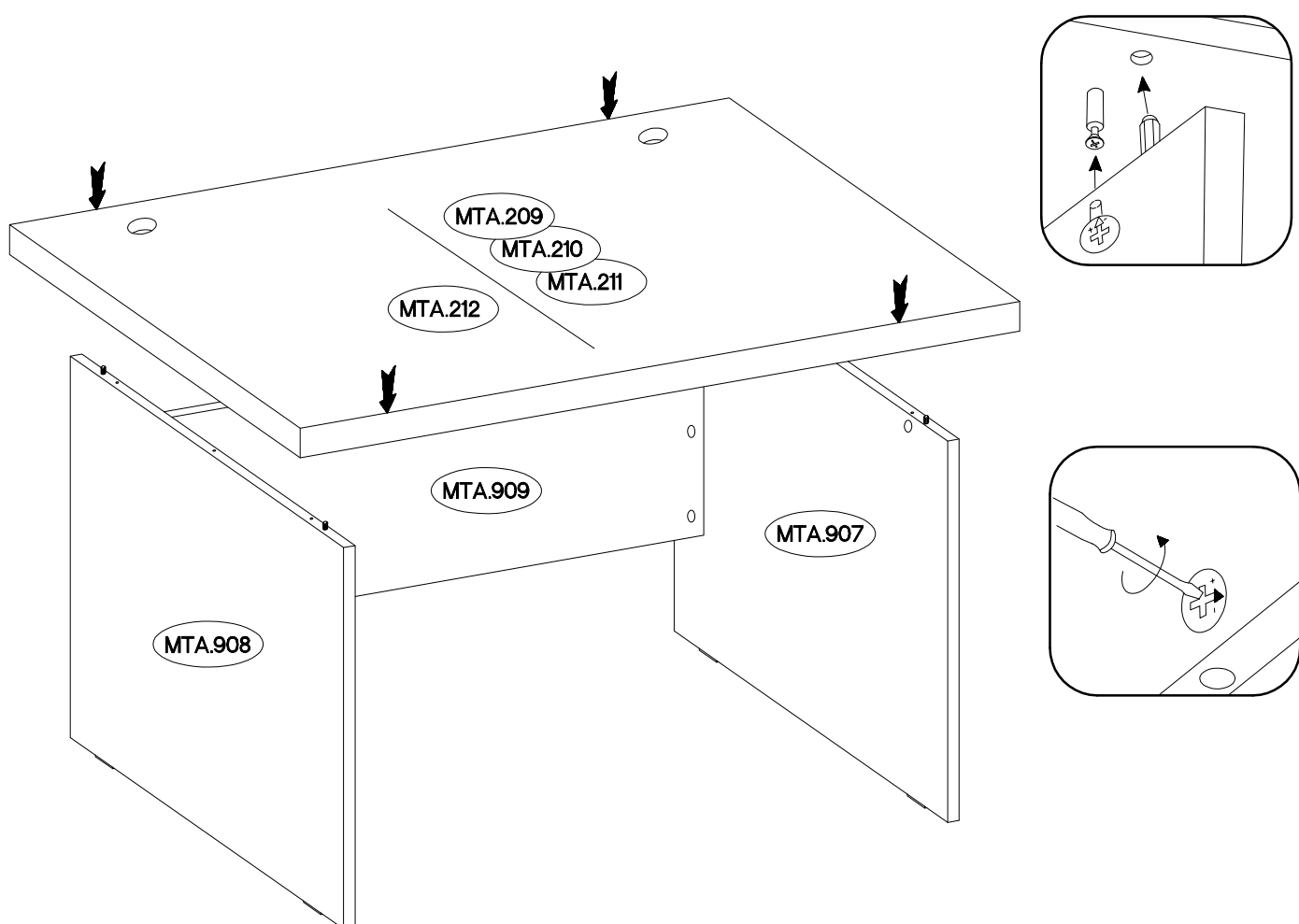


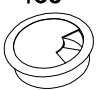
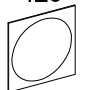


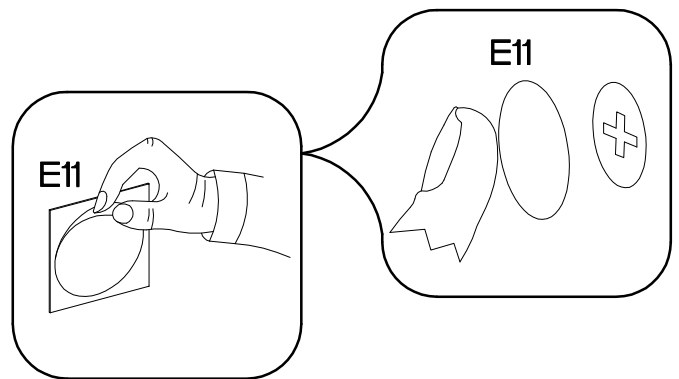
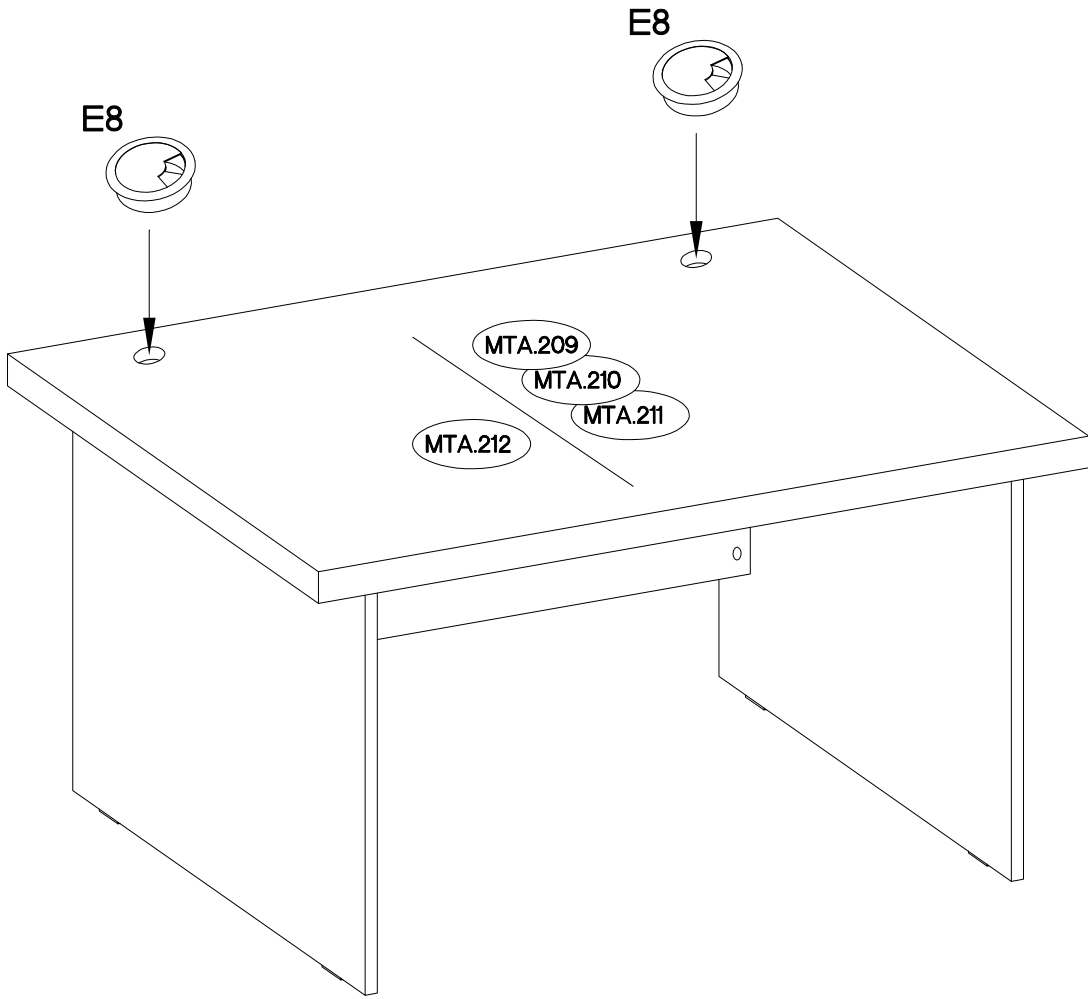
4

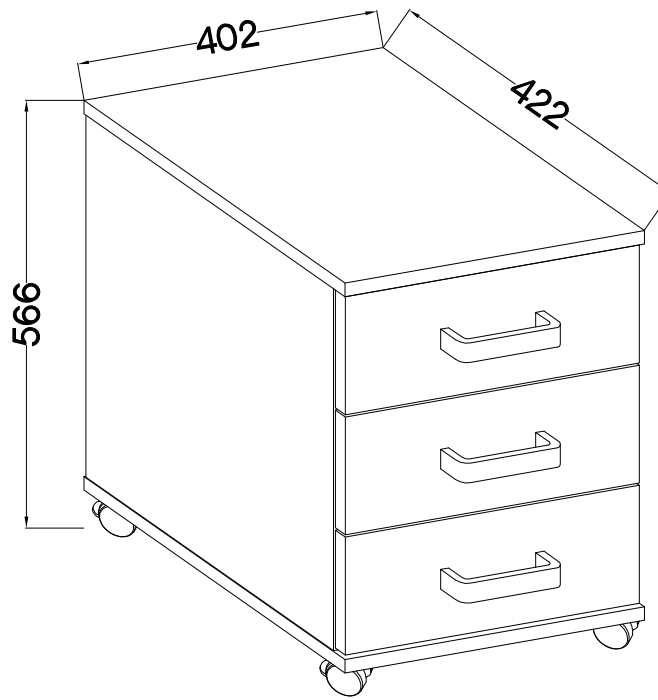
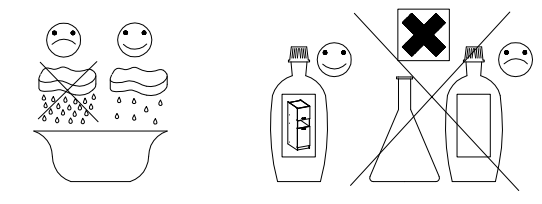
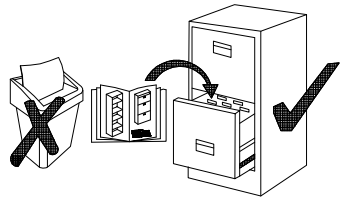
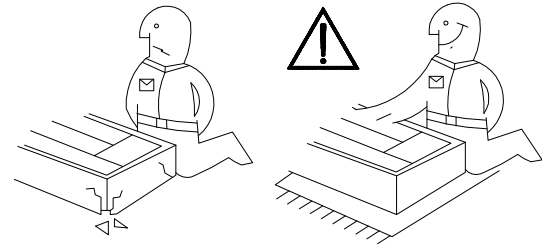
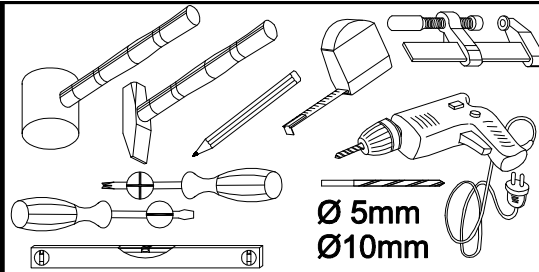
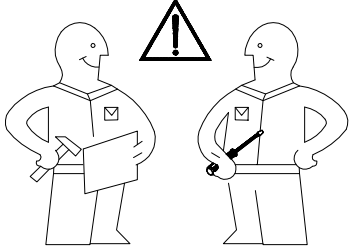








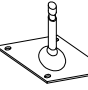

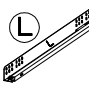
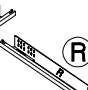
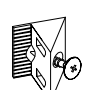

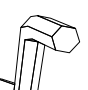



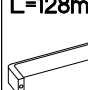

5

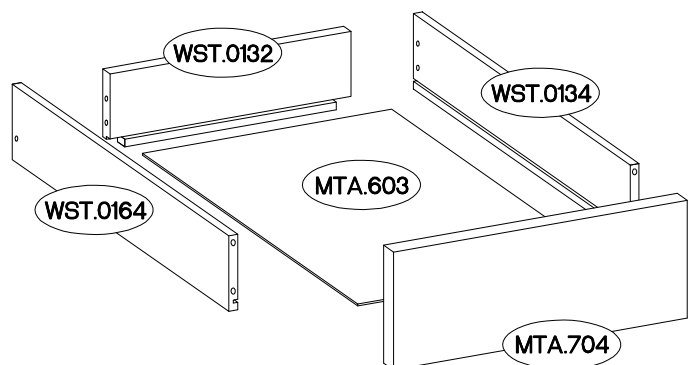
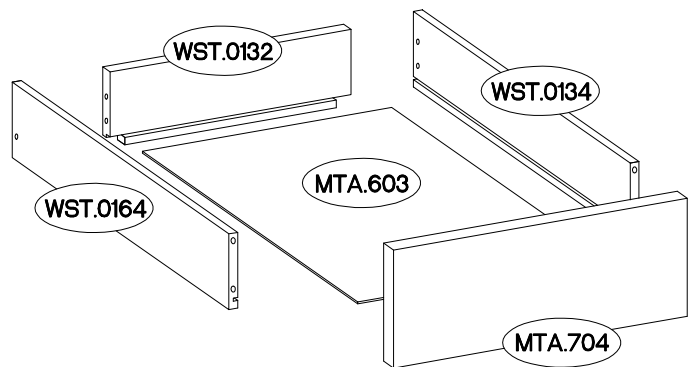
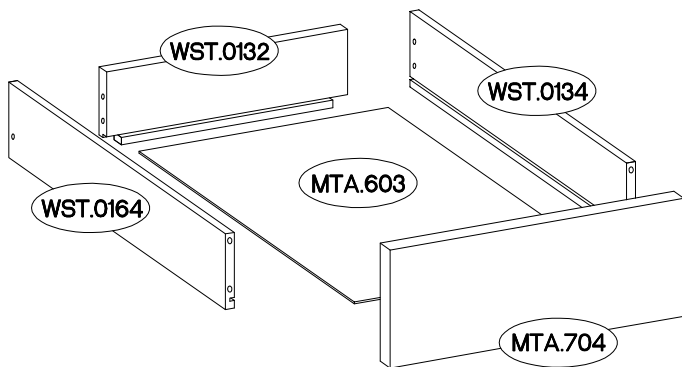
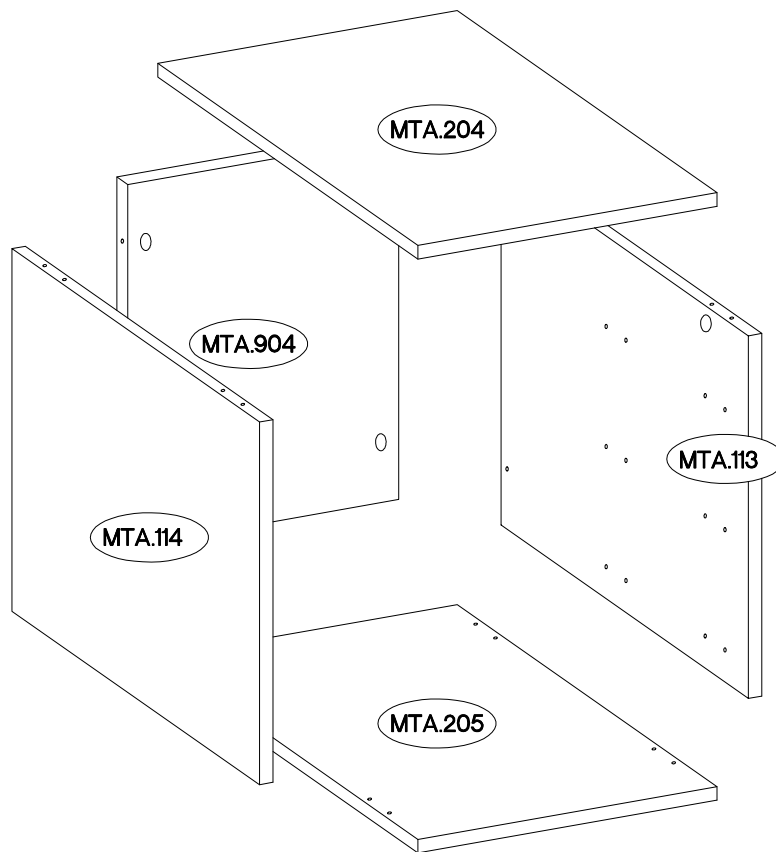


↑60  E8 2	↑20  E11 12
--	--






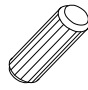

 +8x30mm A 20	 6,4 x 50mm B 4	 +6x42mm B2 6	 +15/12mm C 8	 +12/10mm C5 6	 L=20mm D2 14	 F19 4									
 F20 4	 L L=350mm 3	 R [CD] I8	 L 6	 +6.3x13mm M2 24	 O 1	 O1 1	 +3.0x20mm P7 6	 +4.0x16mm R11 16	 L=128mm S 3	 M4x22mm U 6					

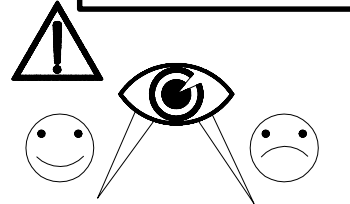
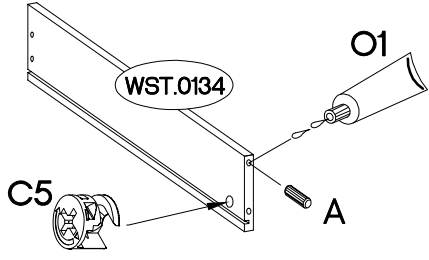
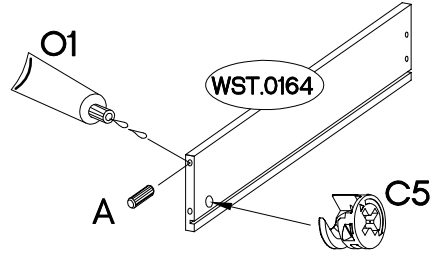
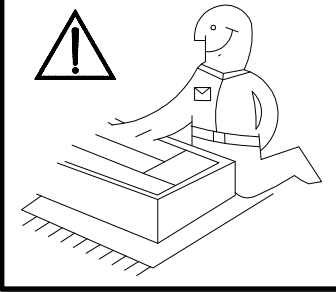
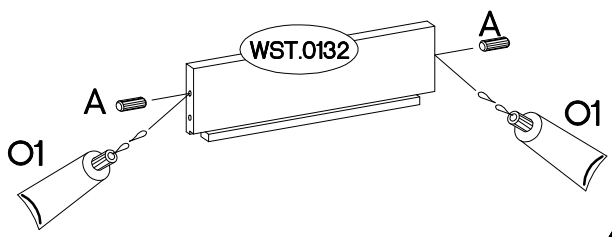


MTA.603

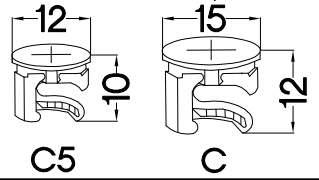
MTA.113	480x400x18
MTA.114	480x400x18
MTA.204	402x422x18
MTA.205	402x422x18
MTA.904	480x364x18
MTA.704 x3	156x395x16
MTA.603 x3	335x348x2,5
WST.0134 x3	350x100x12
WST.0164 x3	350x100x12
WST.0132 x3	324x100x12

1



±12/10mm  C5 6	±8x30mm  A 12	 O1 1
---	--	---

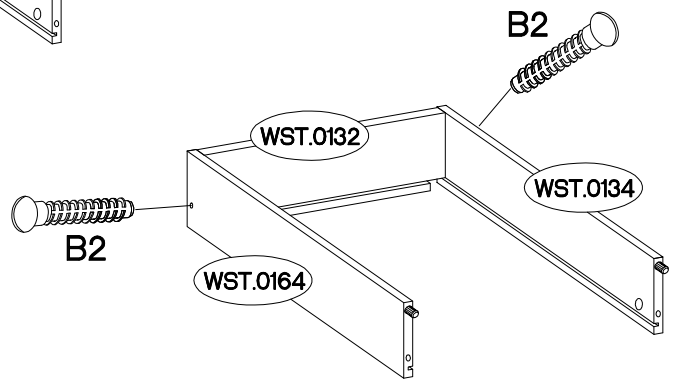
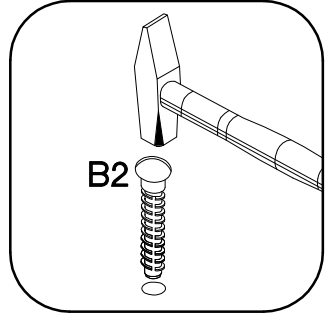
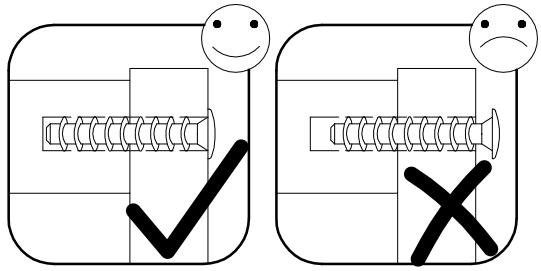
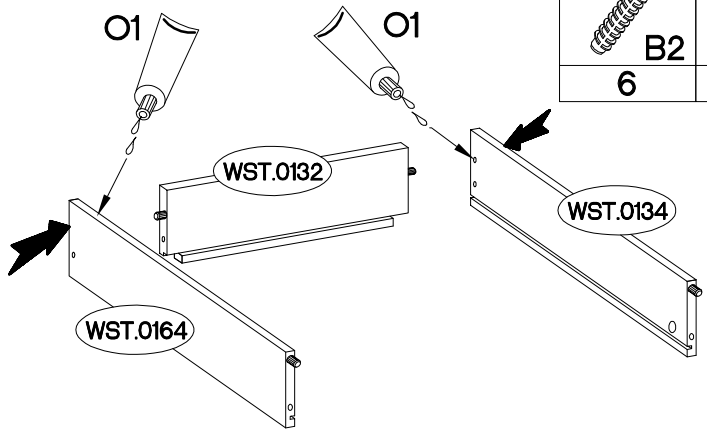


x3




2

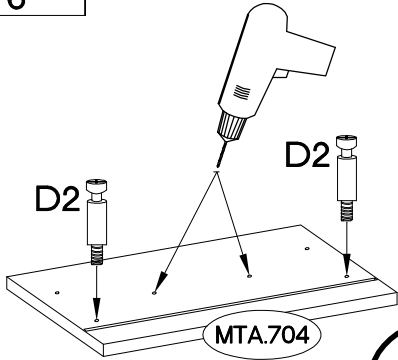
±6x42mm  B2 6	 O1 1
---	--



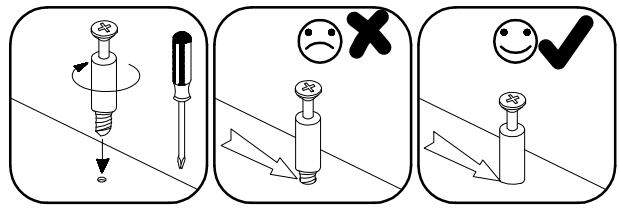
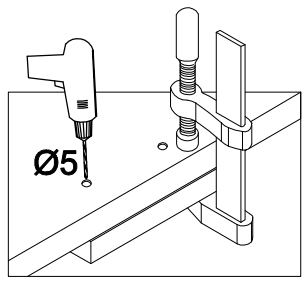
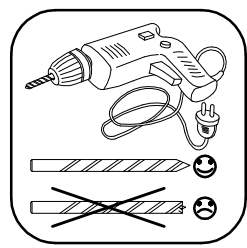
x3

3

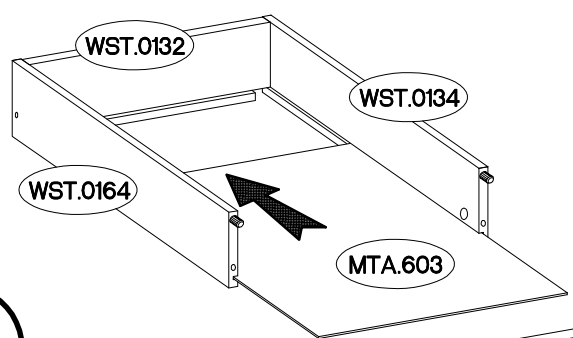
L=20mm  D2 6
--



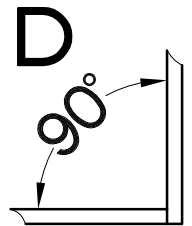
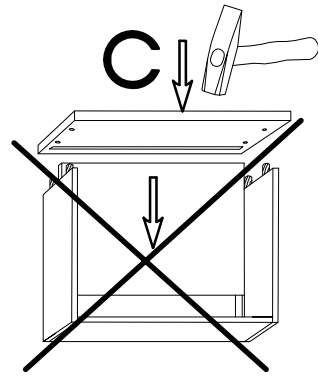
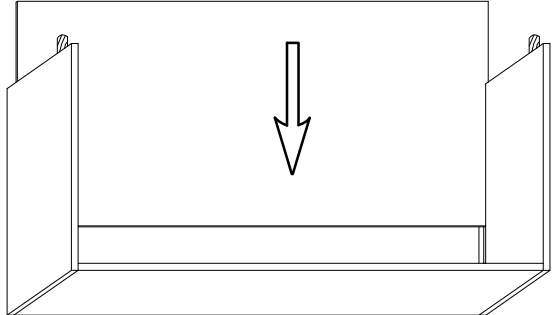
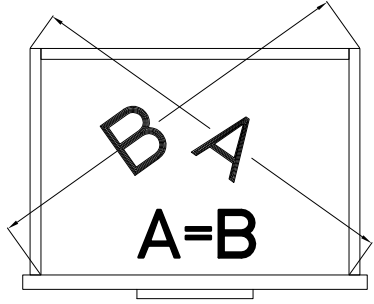
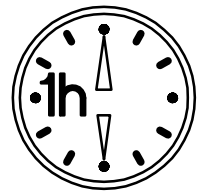
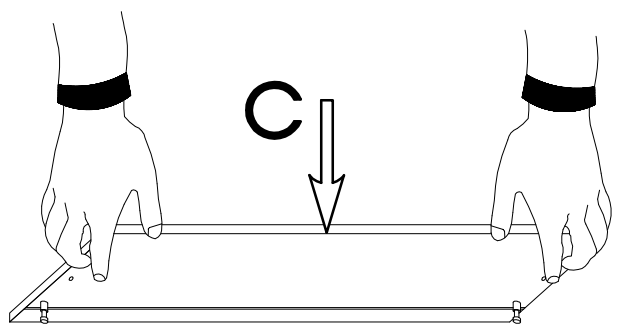
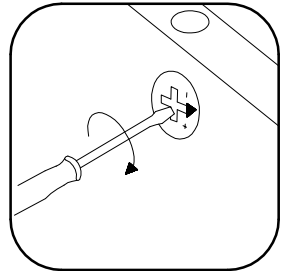
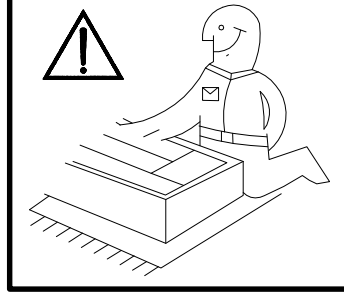
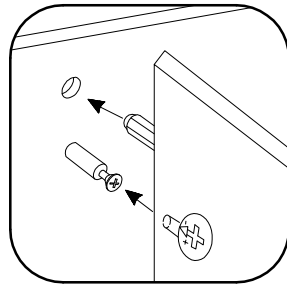
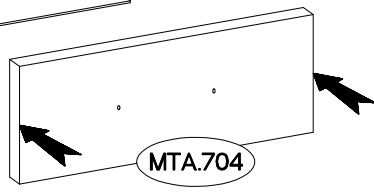
x3



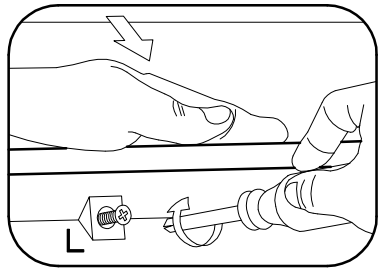
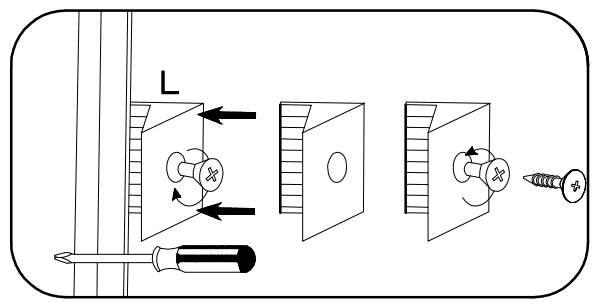
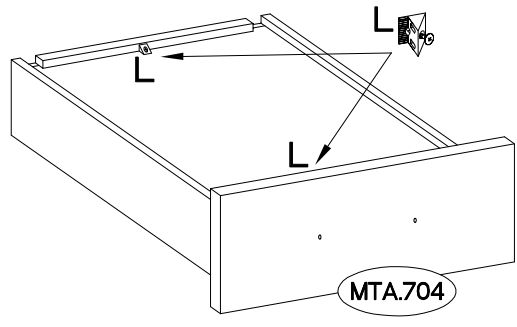
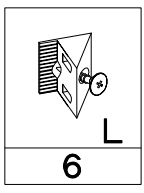
4



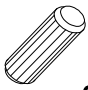



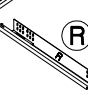


x3

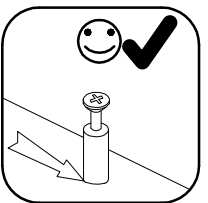
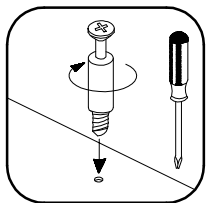
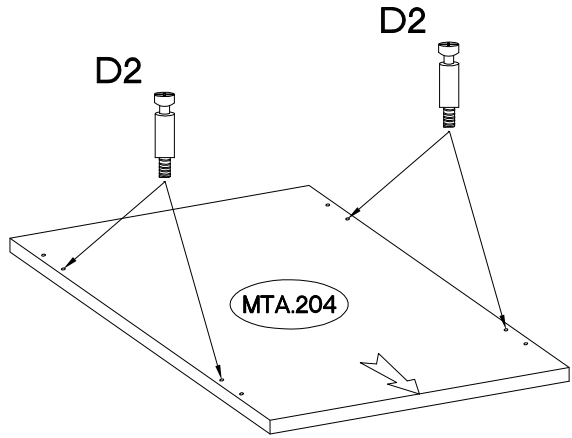
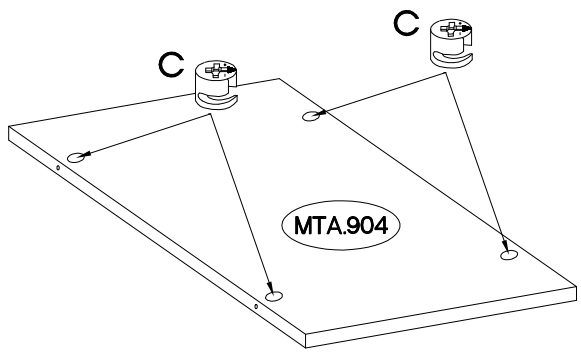
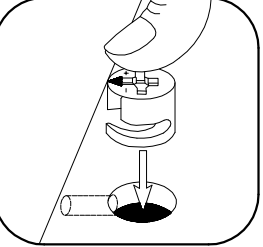
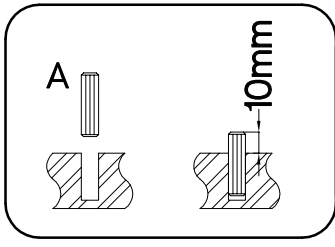
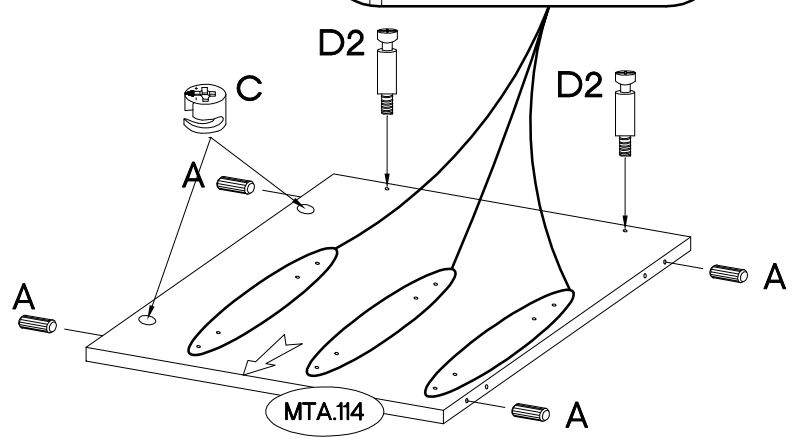
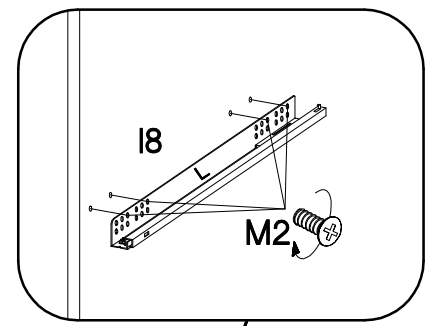
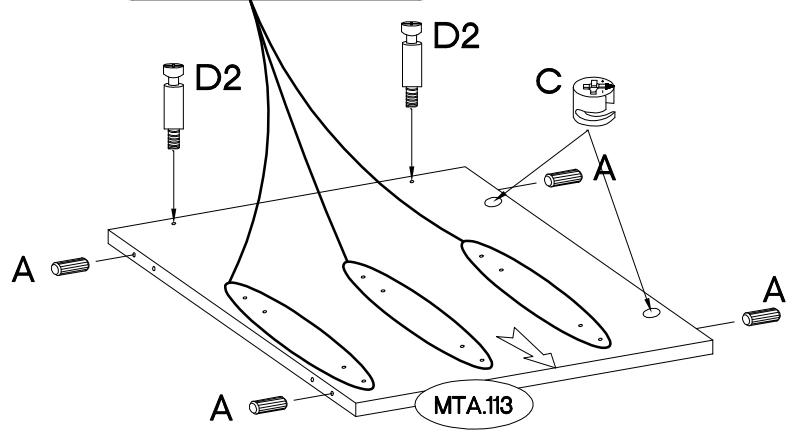
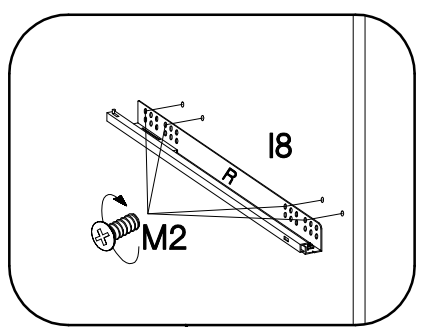
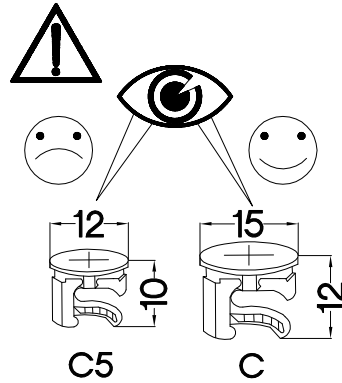
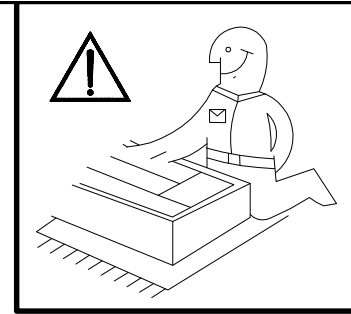


5


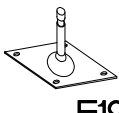



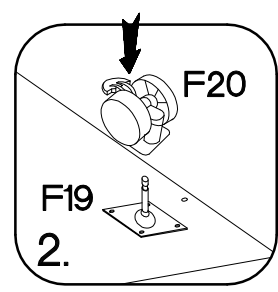
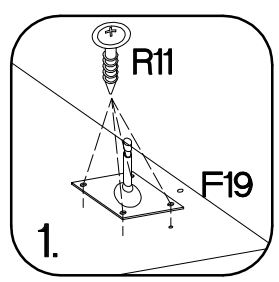
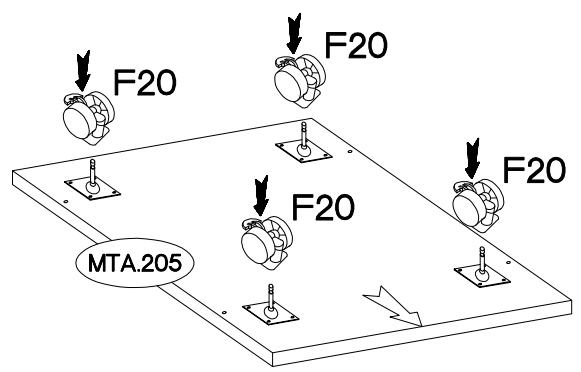
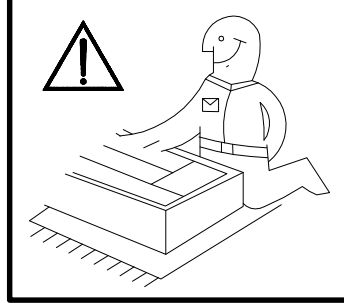
x3

$\varnothing 8 \times 30 \text{mm}$  8	L=20mm  D2	$\varnothing 15/12 \text{mm}$  C	 L L=350mm  R 3	[CD]  M2	$\varnothing 6.3 \times 13 \text{mm}$  C5
8	8	8	3	18	24

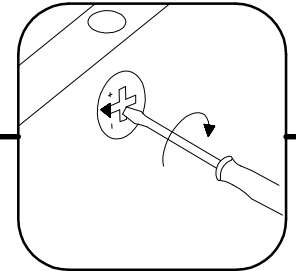
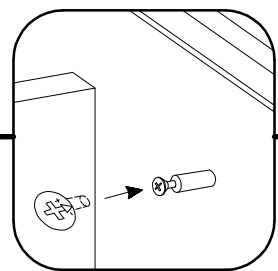
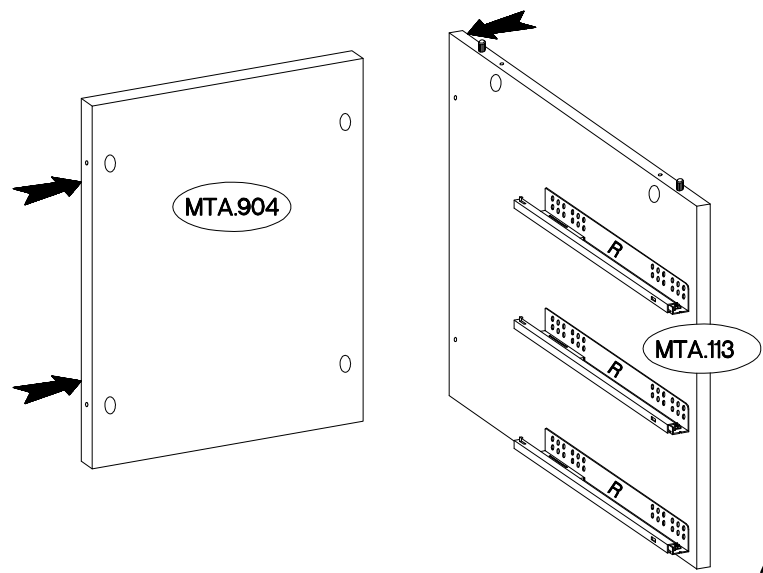


7

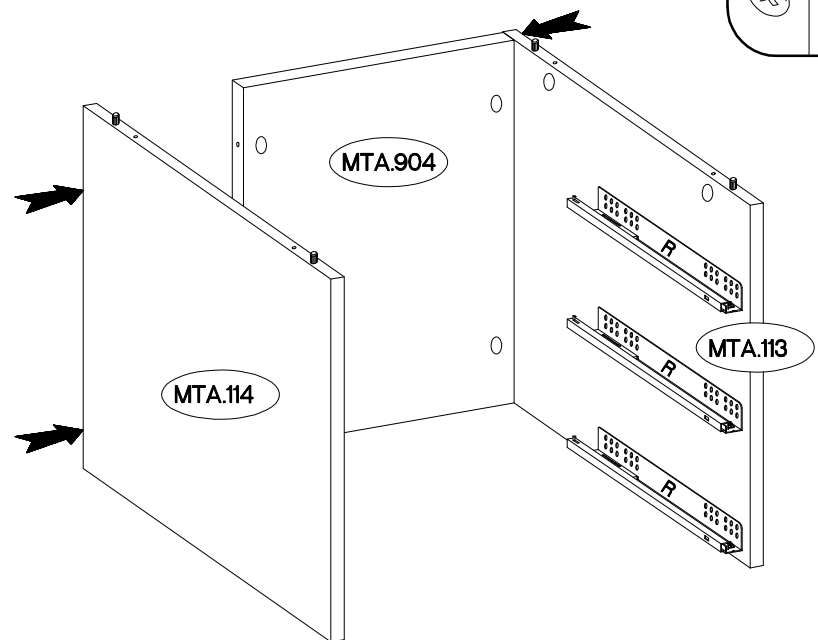
+4.0x16mm		
		
R11	F19	F20
16	4	4



8

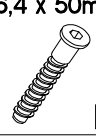
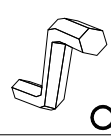


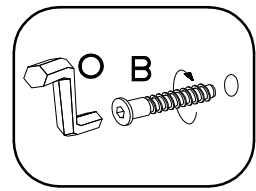
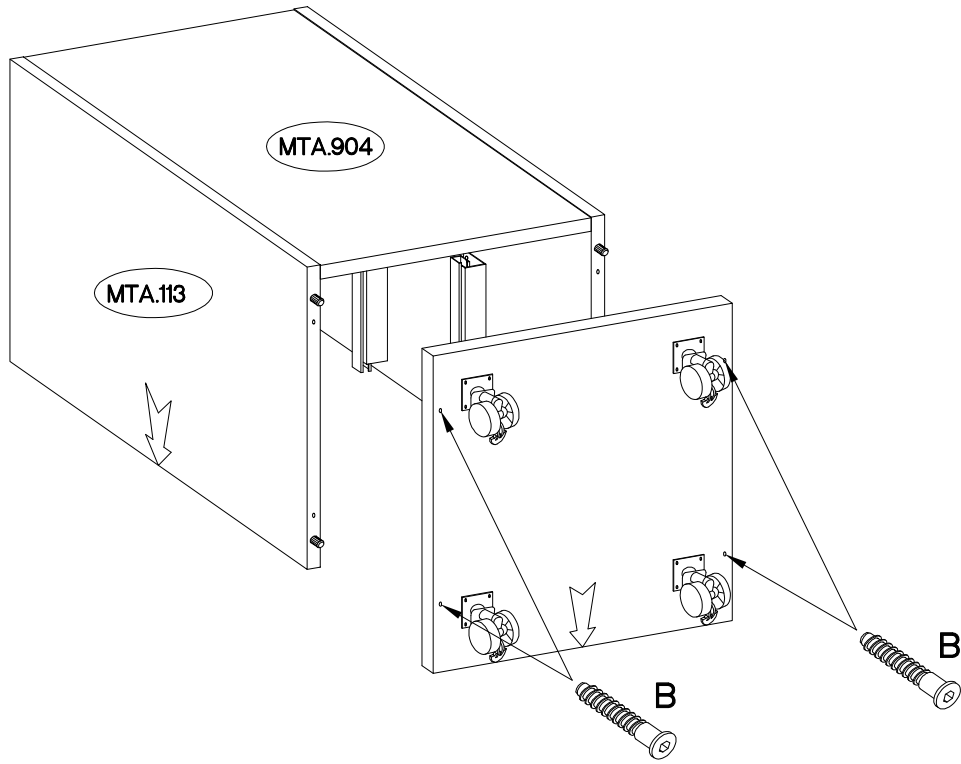
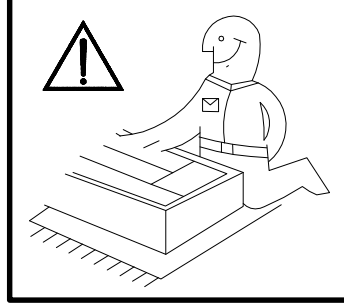
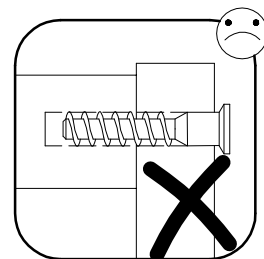
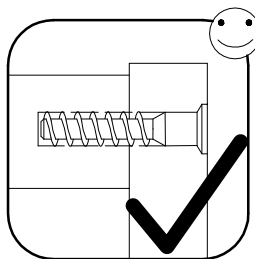
9



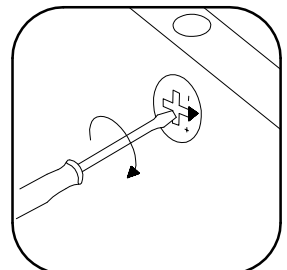
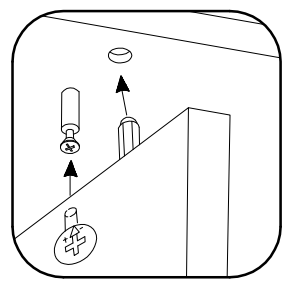
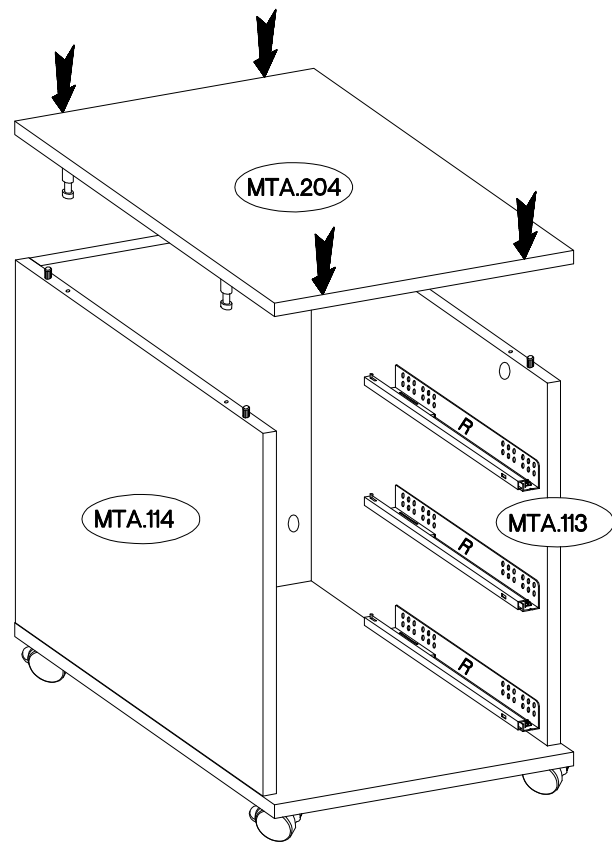





10

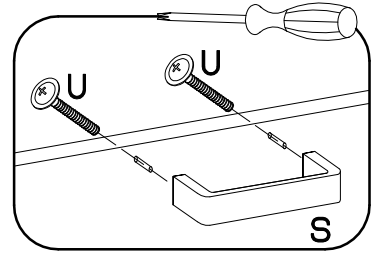
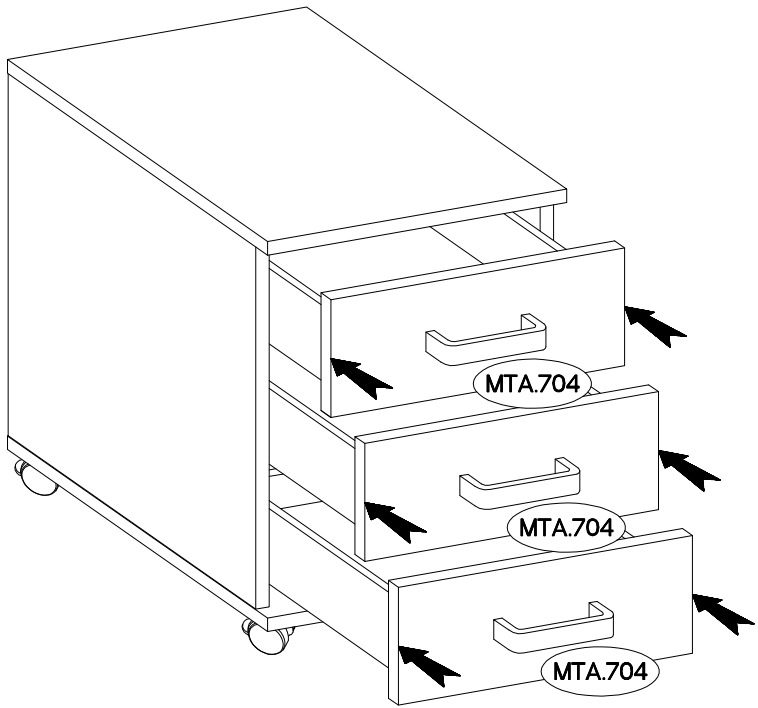
6,4 x 50mm	
	
<b>B</b>	<b>O</b>
4	1



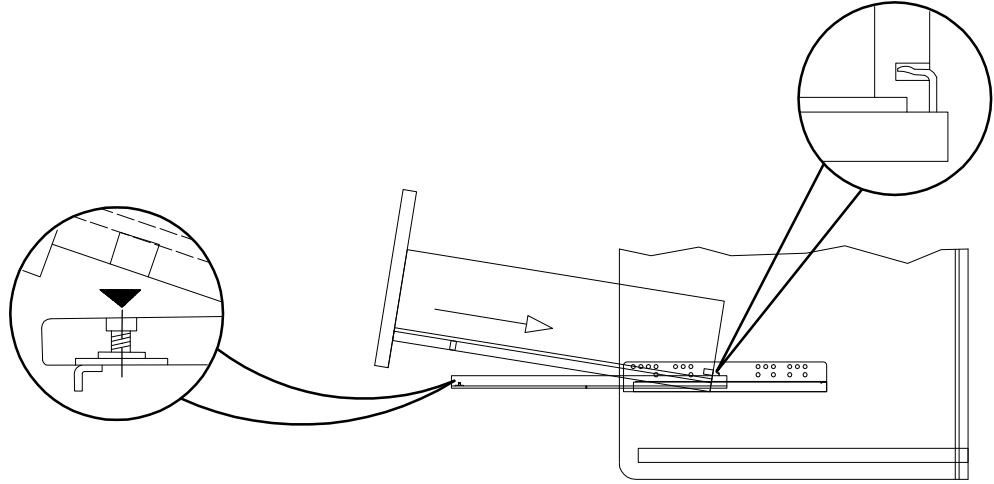
11



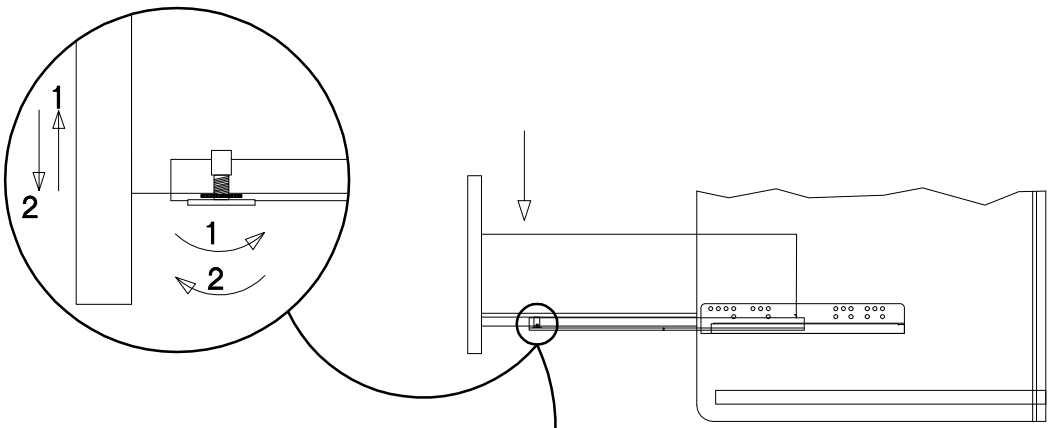
$\pm 3.0 \times 20 \text{mm}$  P7 6	L=128mm  S 3	M4x22mm  U 6
--	---	---



1.



2.



3.

