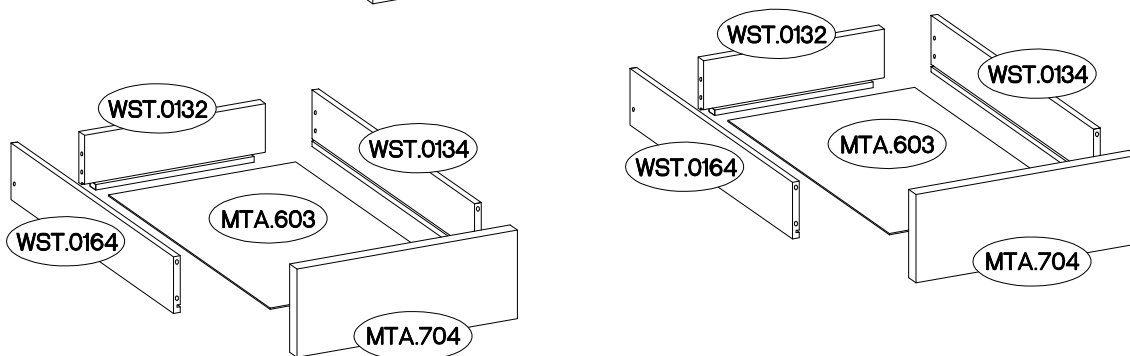
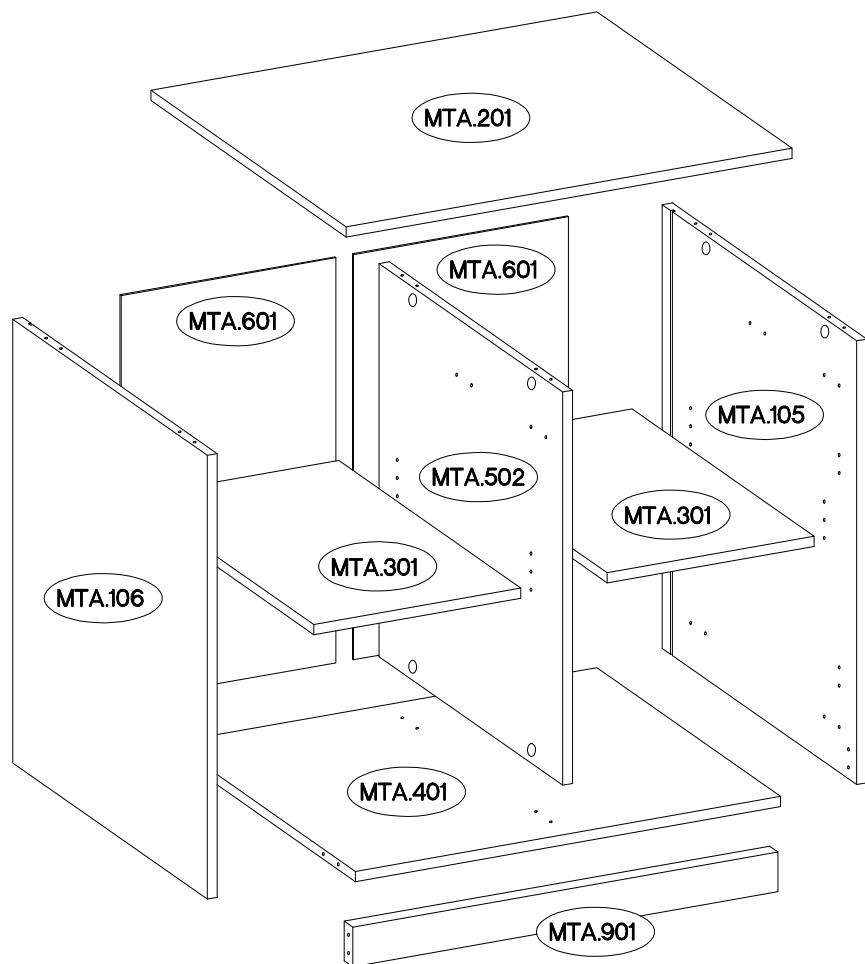
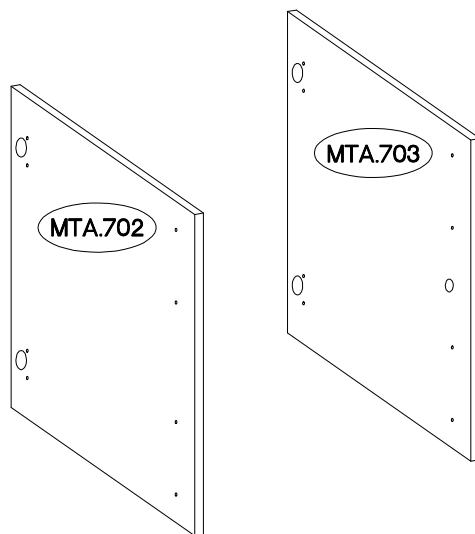
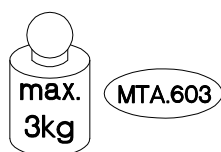


+35/0mm [CD] HG 4	+3.5x13mm P5 8	L=128mm S 4	M4x22mm U 8
----------------------------	----------------------	-------------------	-------------------


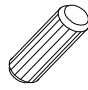

+6x42mm B2 4	+15/12mm C 12	+12/10mm C5 4	L=20mm D2 16	+20 E11 2	6.5x48x16 F2 4	L=350mm L R 2	[CD] I8 8	+5/16mm J3 8	+20/8mm J14 8	L 12
L2 5	L9 1	+6.3x13mm M2 8	+6.3x20mm M3 8	+5 M10 2	O1 1	+10x50mm O7 1	+3.5x13mm P5 1	+3.0x20mm P7 13	+3.0x16mm P11 6	Z6 1

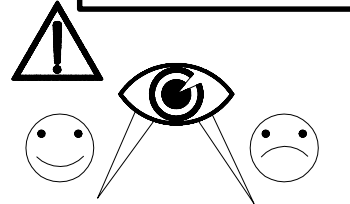
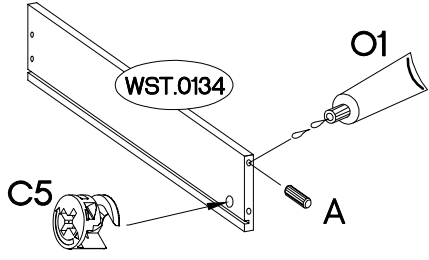
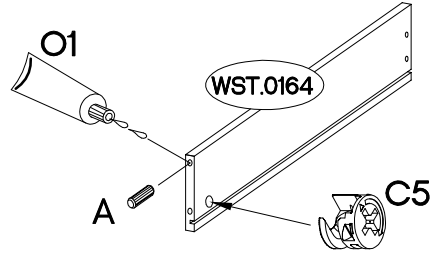
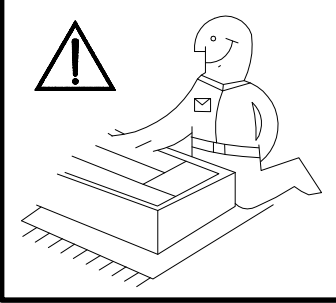
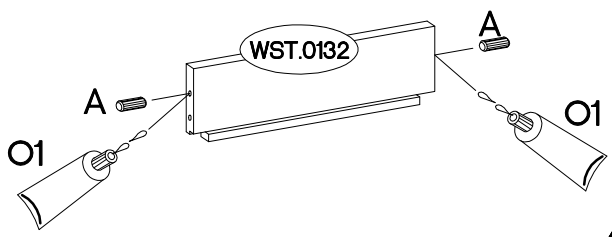


MTA.105	783x419x18
MTA.106	783x419x18
MTA.201	799x420x18
MTA.301 x2	371x392x18
MTA.401	762x396x18
MTA.502	694x395x18
MTA.601 x2	715x385x2,5
MTA.901	762x70x18
MTA.702	567x395x16
MTA.703	567x395x16
MTA.704 x2	156x395x16
MTA.602 x2	335x348x2,5
WST.0134 x2	350x100x12
WST.0164 x2	350x100x12
WST.0132 x2	324x100x12

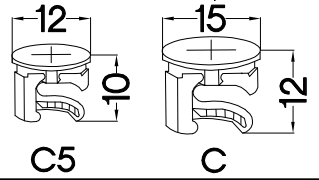


1



±12/10mm  C5 4	±8x30mm  A 8	 O1 1
---	---	---

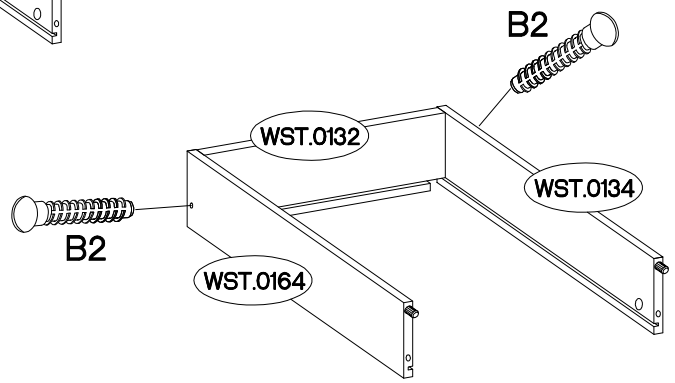
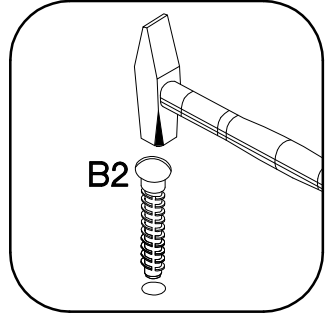
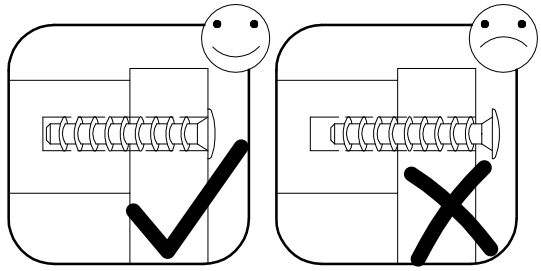
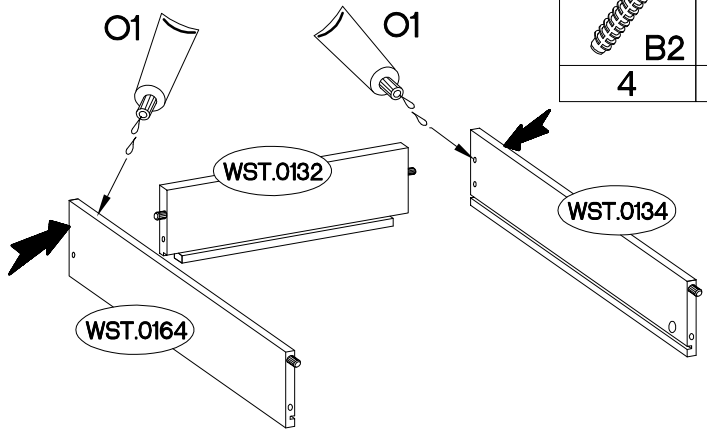


x2




2

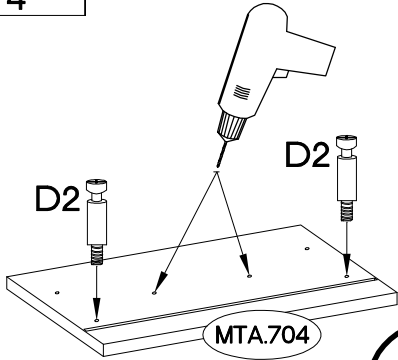
±6x42mm  B2 4	 O1 1
---	--



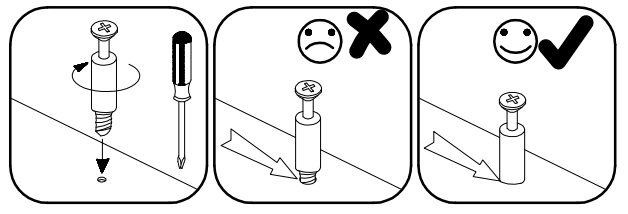
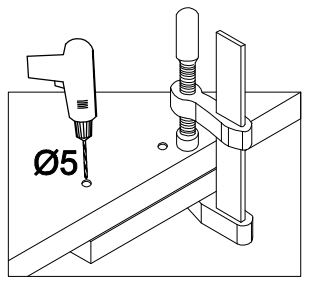
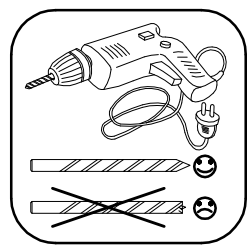
x2

3

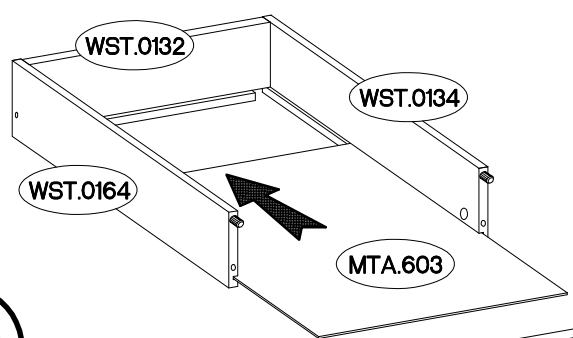
L=20mm  D2 4
--



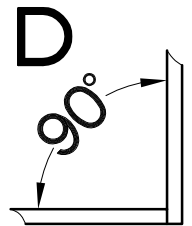
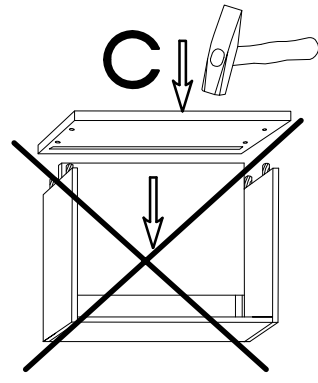
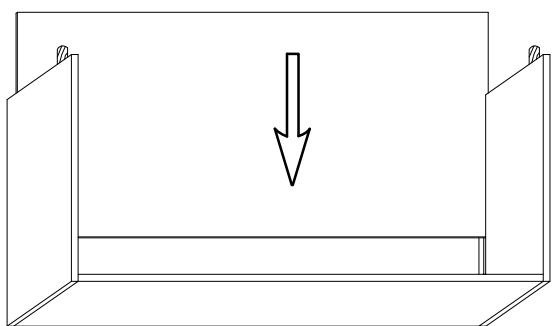
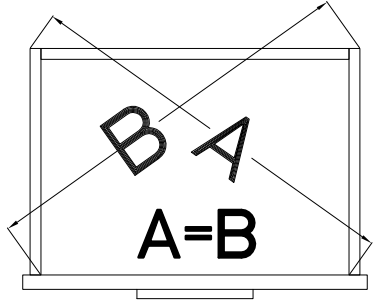
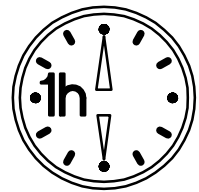
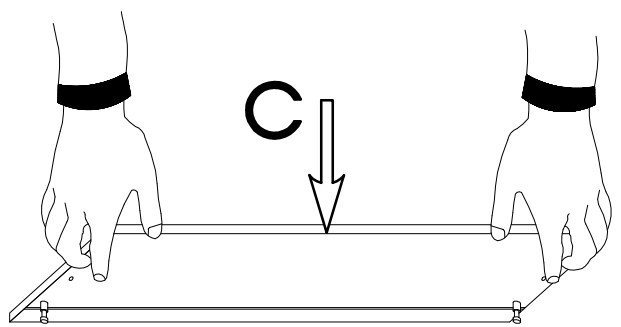
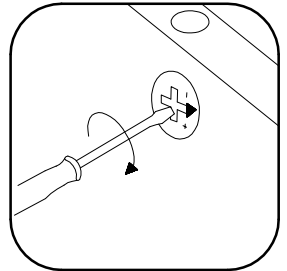
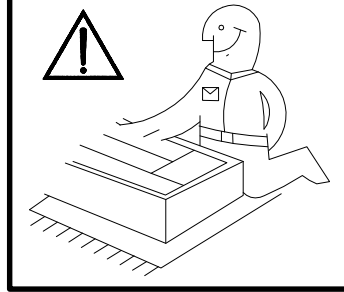
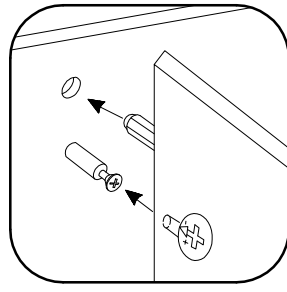
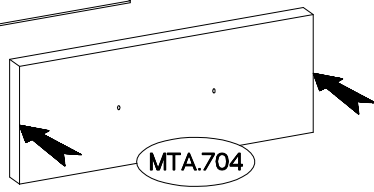
x2



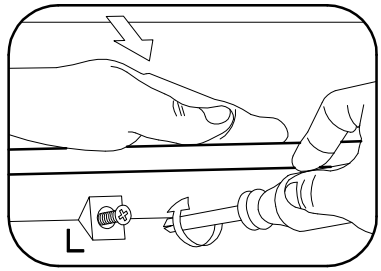
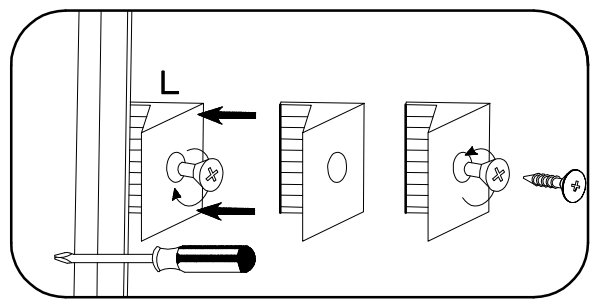
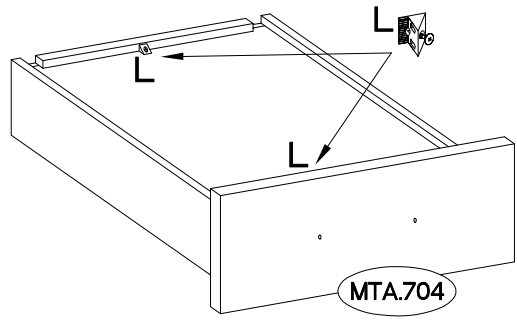
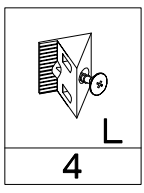
4







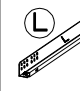
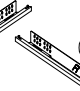


x2

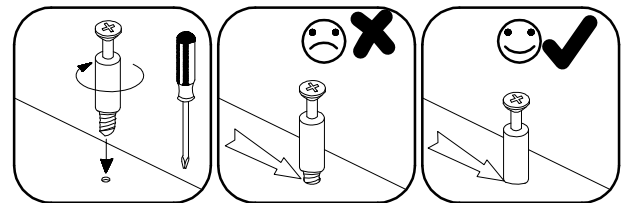
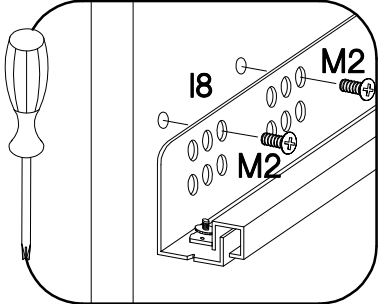
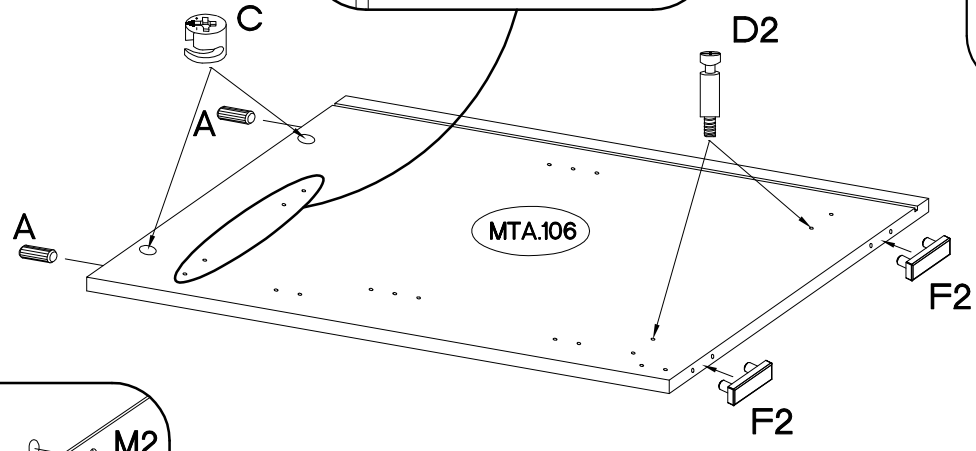
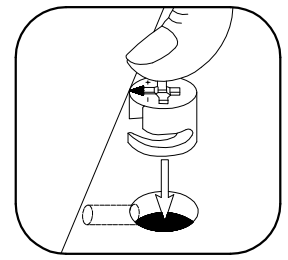
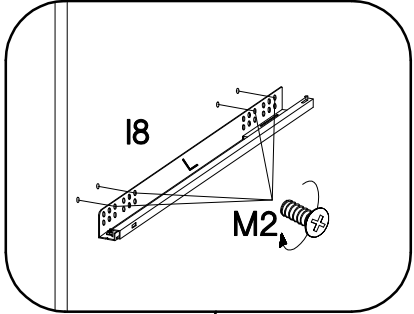
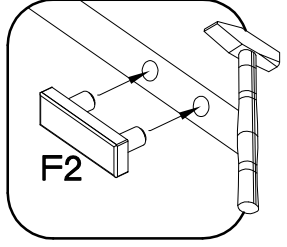
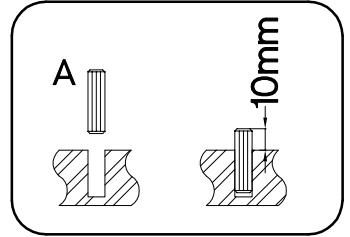
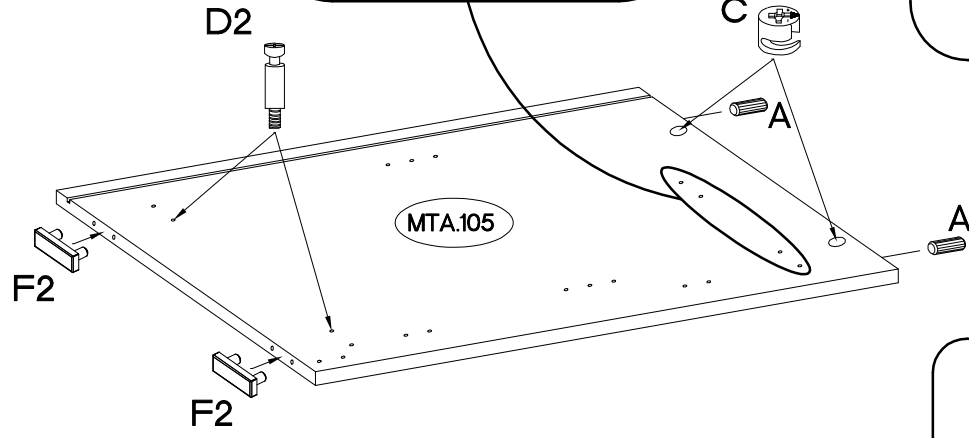
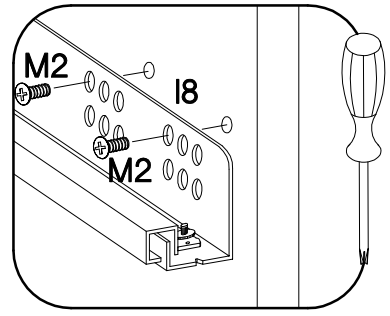
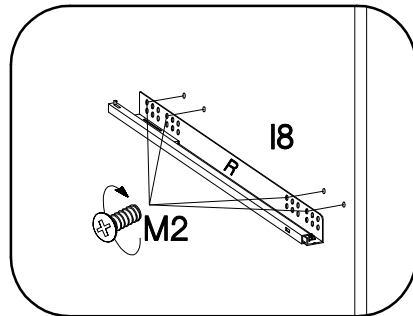
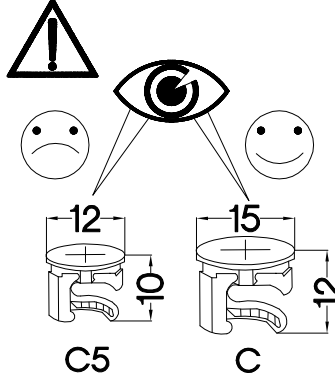
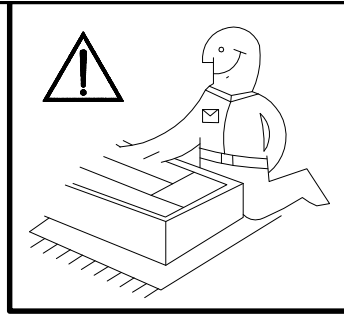




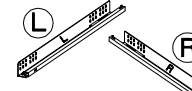



5

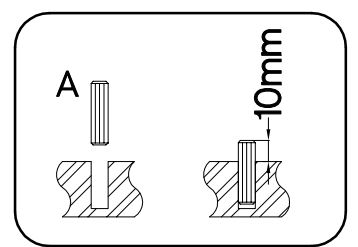
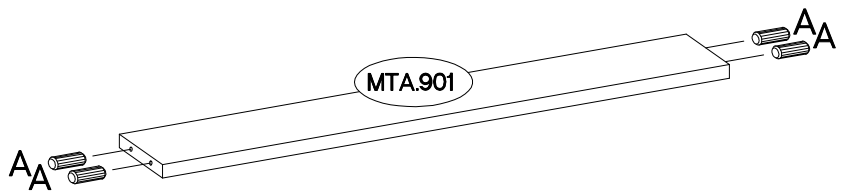
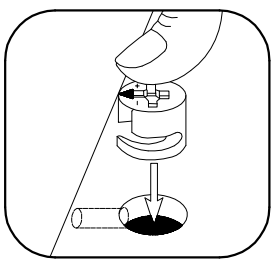
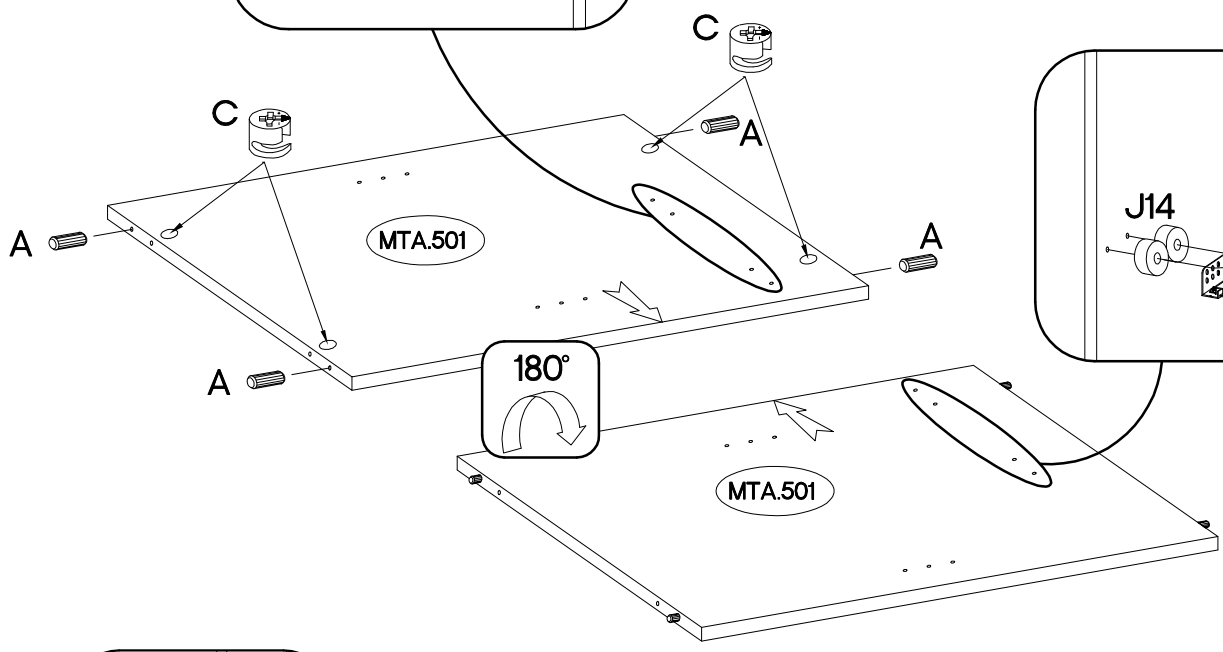
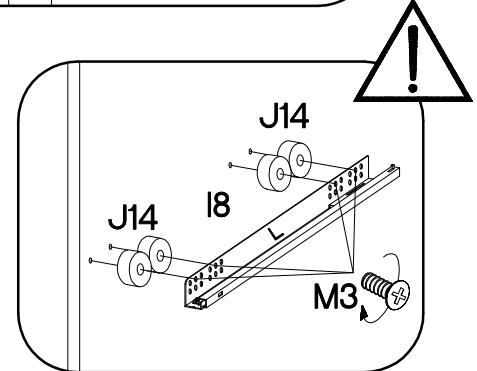
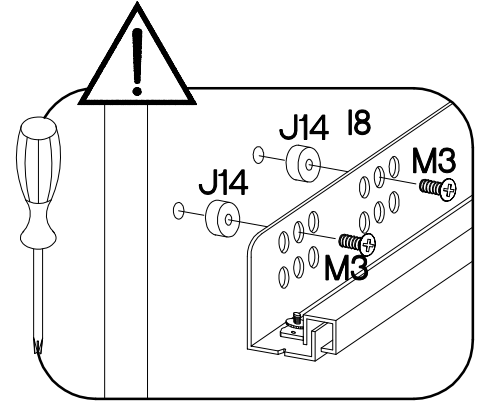
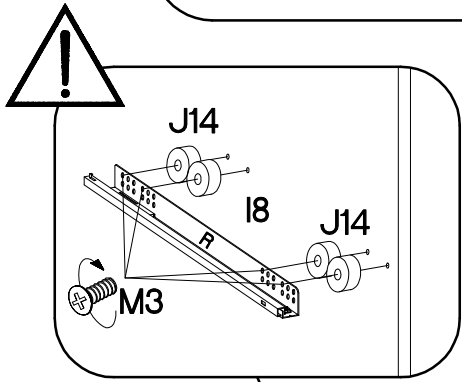
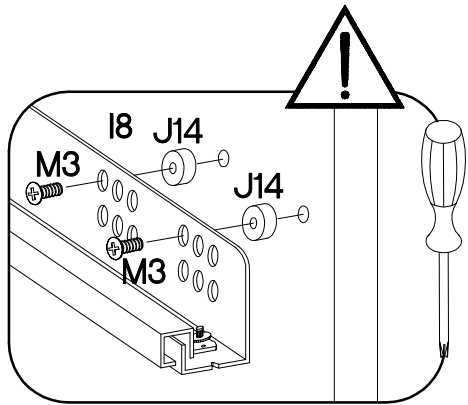
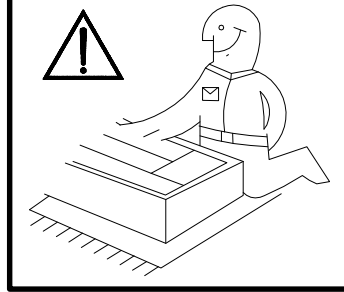


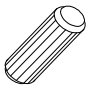


x2

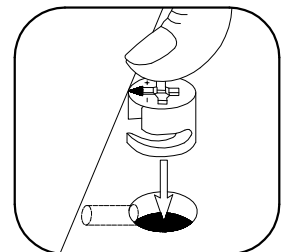
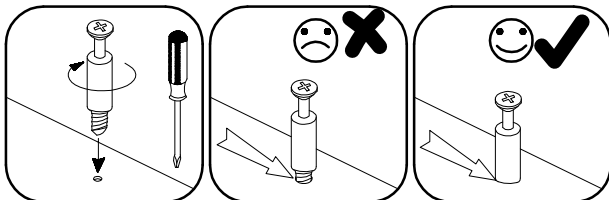
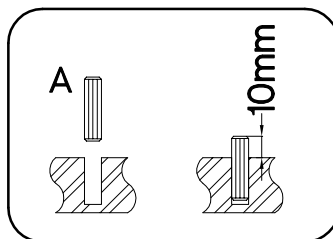
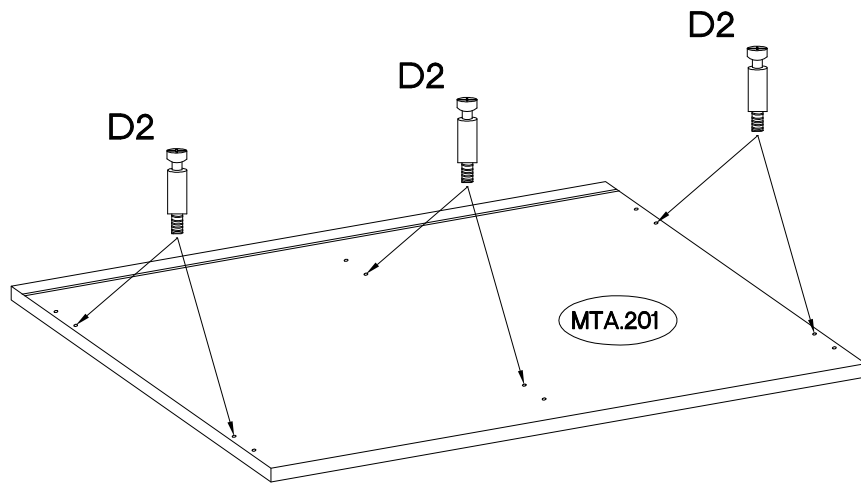
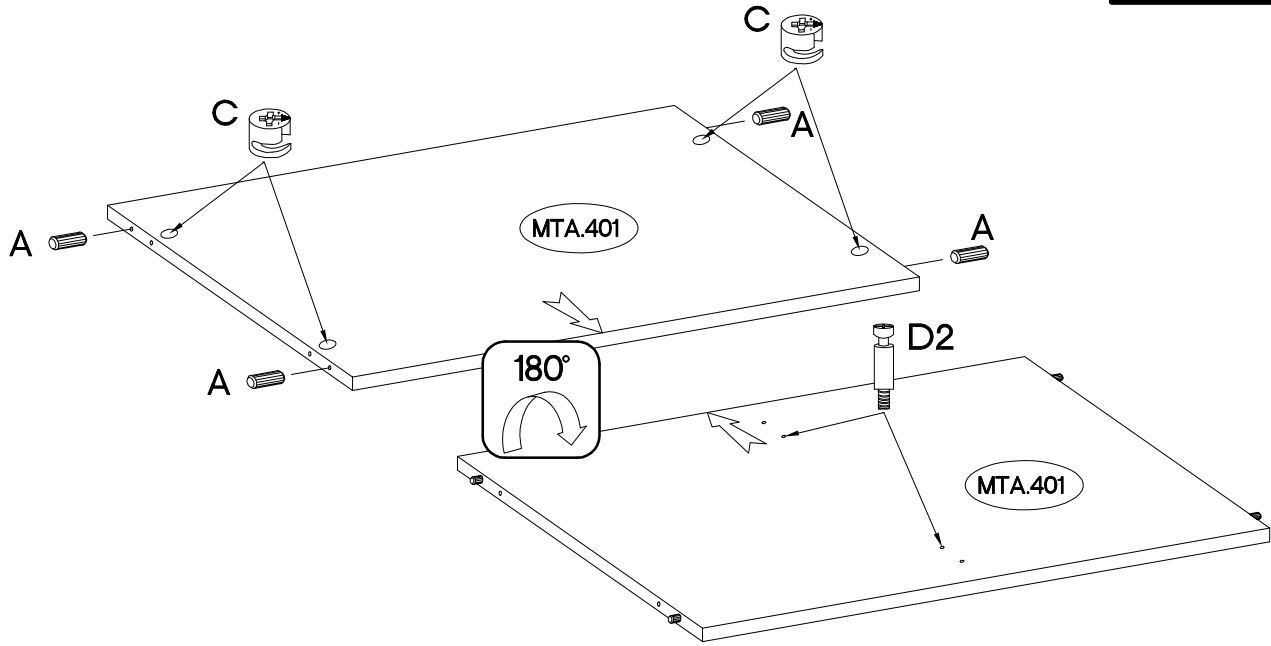
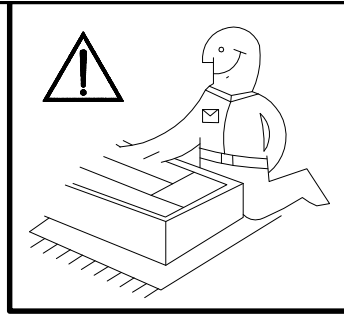
$\varnothing 8 \times 30 \text{mm}$  A	$6.5 \times 48 \times 16$  F2	$L=20 \text{mm}$  D2	$\varnothing 15/12 \text{mm}$  C	[CD]  L  R L=350mm	$\varnothing 6.3 \times 13 \text{mm}$  I8	M2 
4	4	4	4	1	8	8



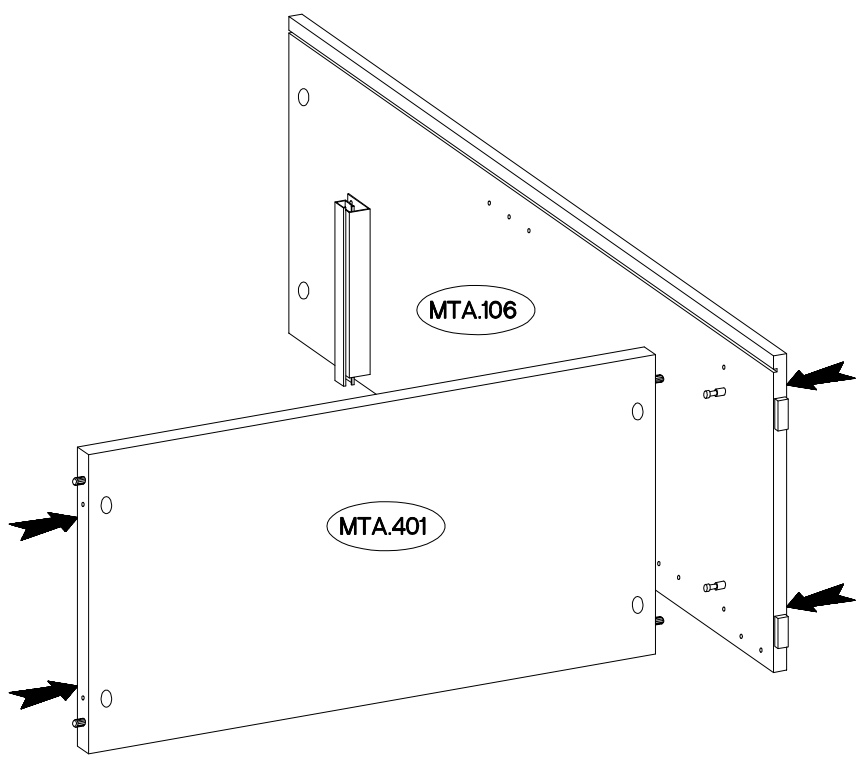
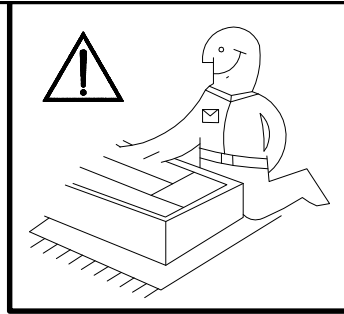
 <p>ø8x30mm A</p>	 <p>ø15/12mm C</p>	 <p>L R L=350mm</p>	 <p>[CD] I8</p>	 <p>ø20/8mm J14</p>	 <p>ø6.3x20mm M3</p>
8	4	1	8	8	8



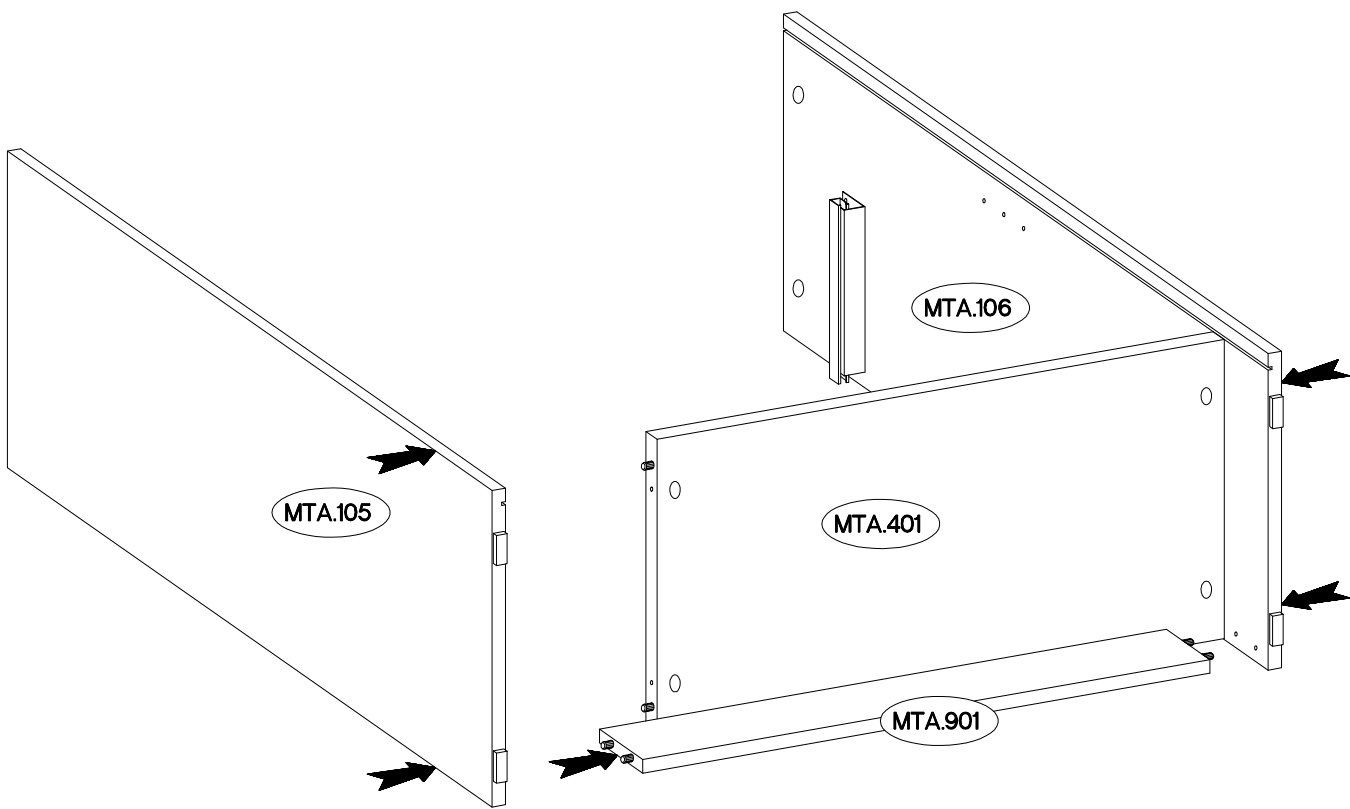
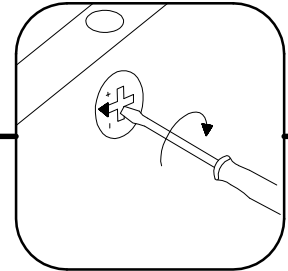
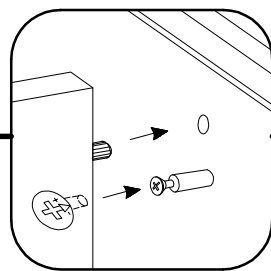
 #8x30mm 4	 L=20mm D2 8	 #15/12mm C 4
--	---	--



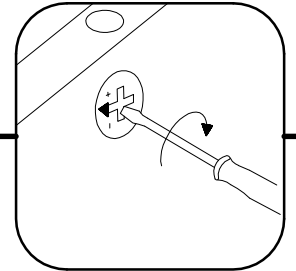
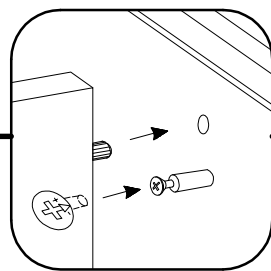
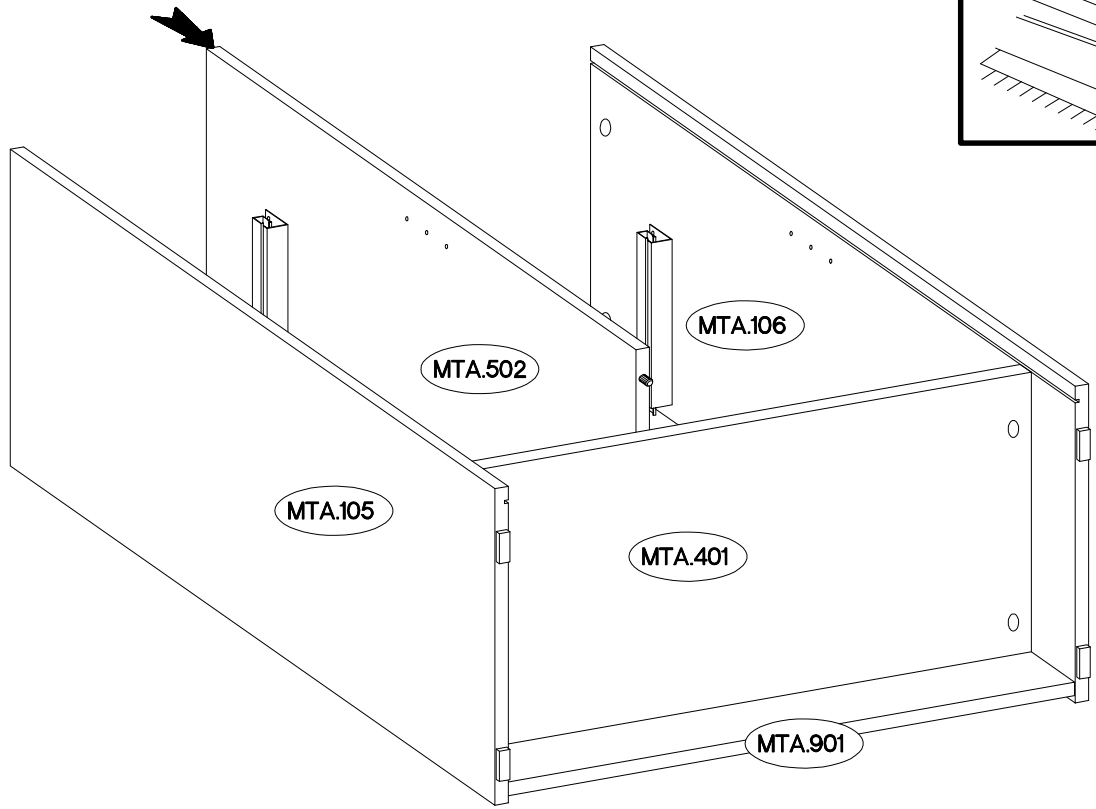
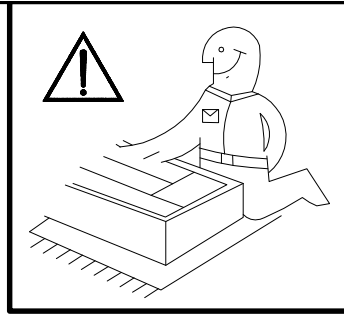
9



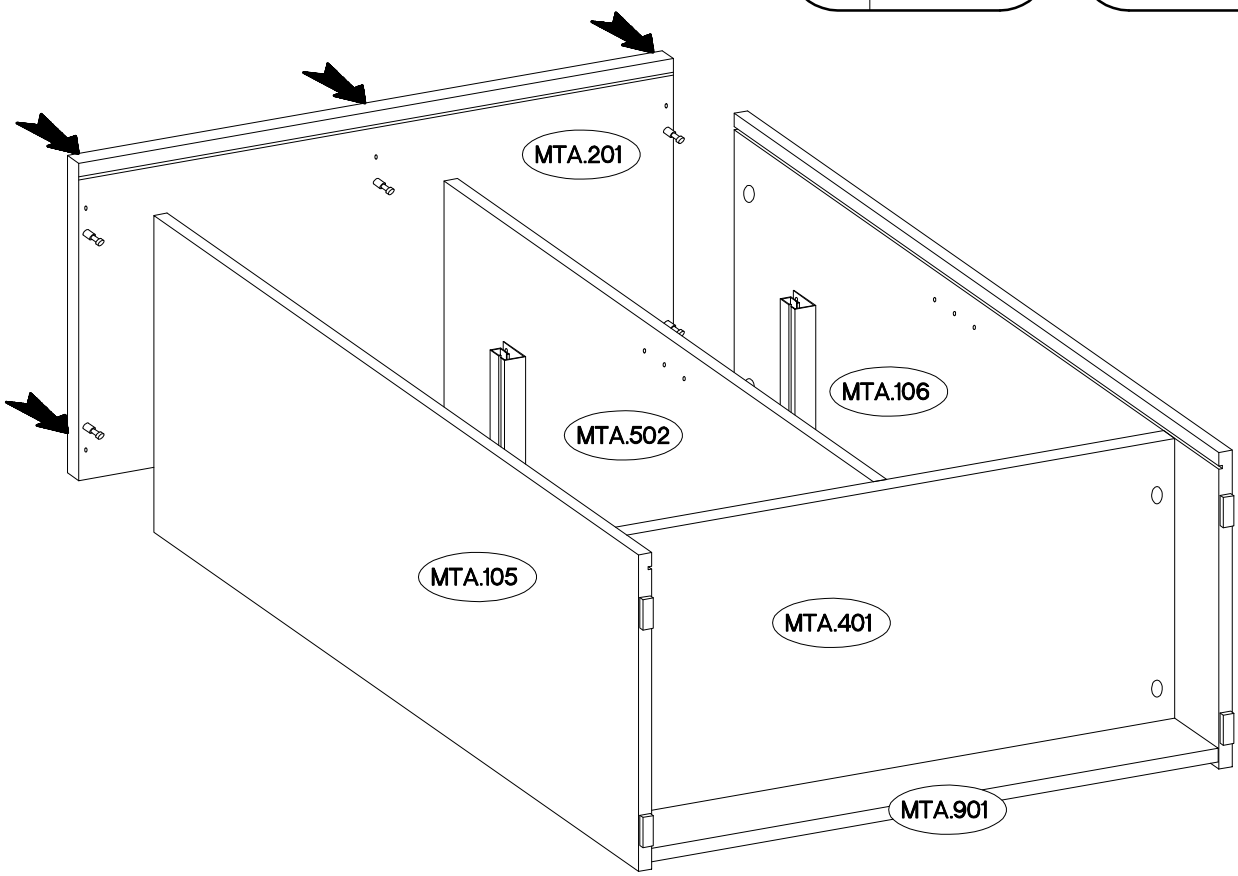
10



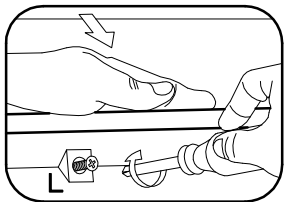
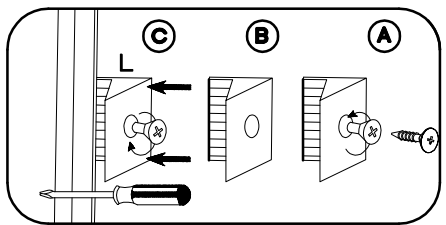
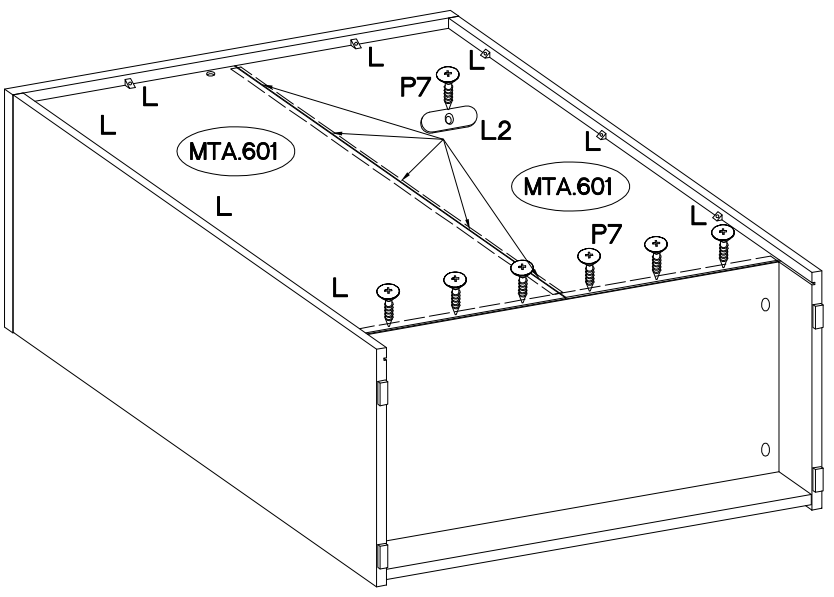
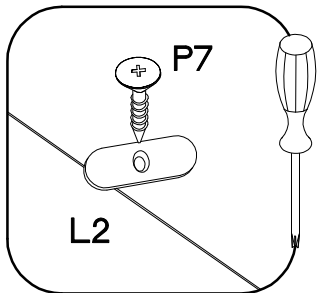
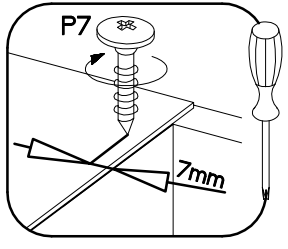
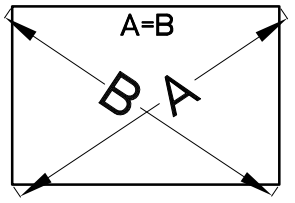
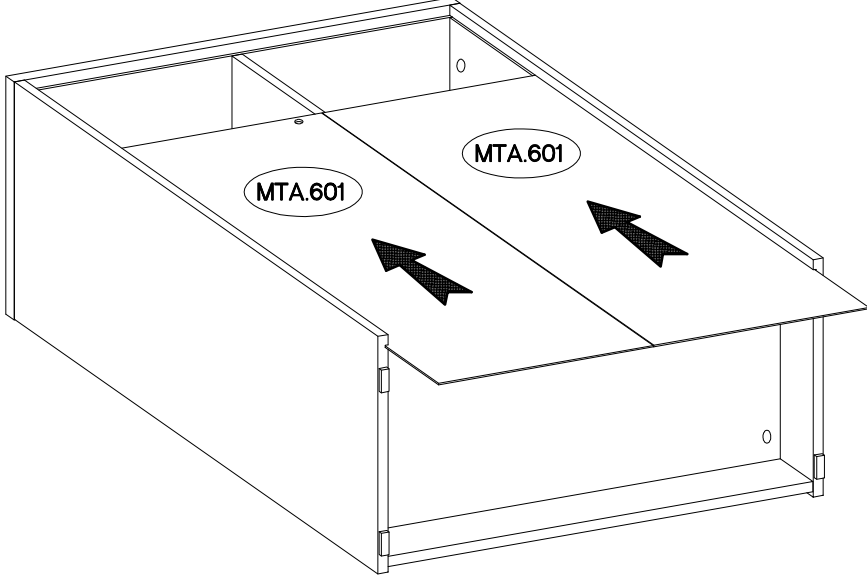
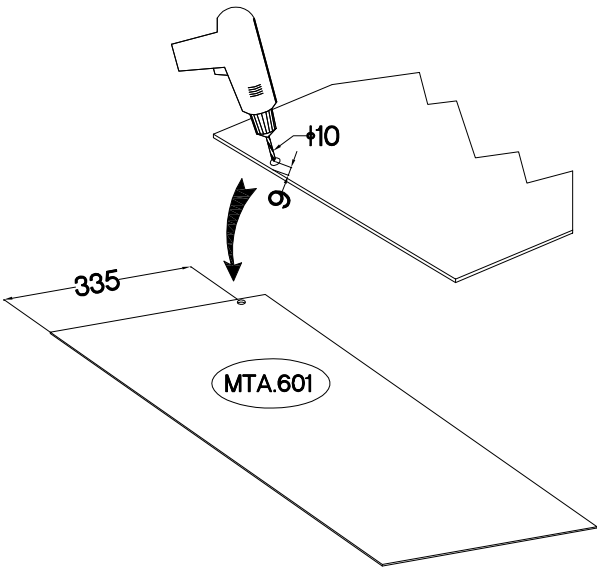
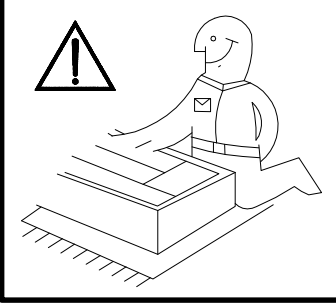
11

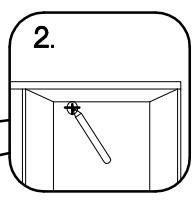





12

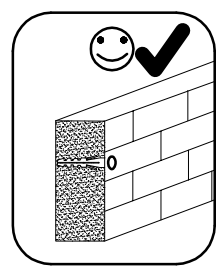
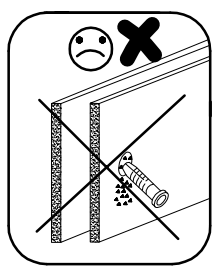
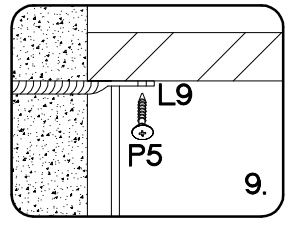
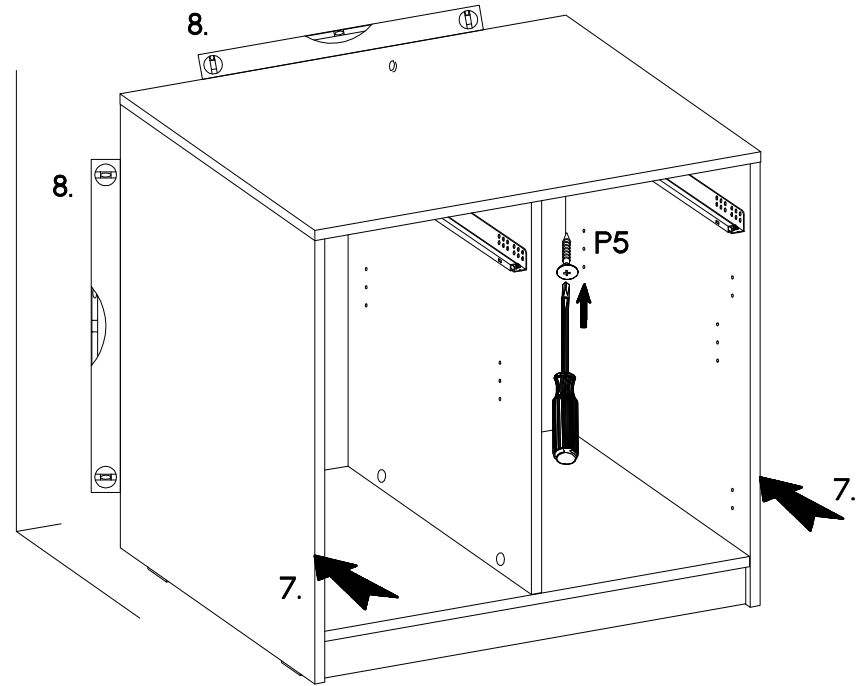
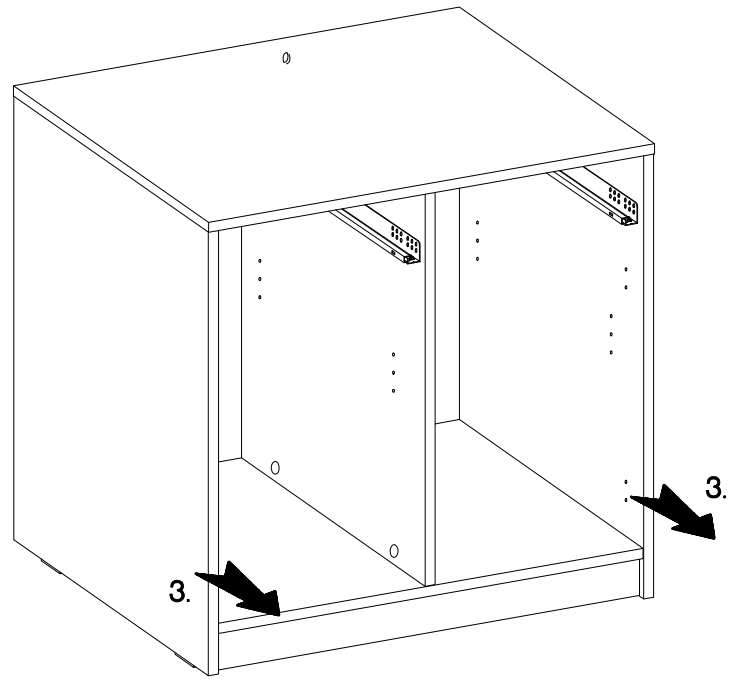
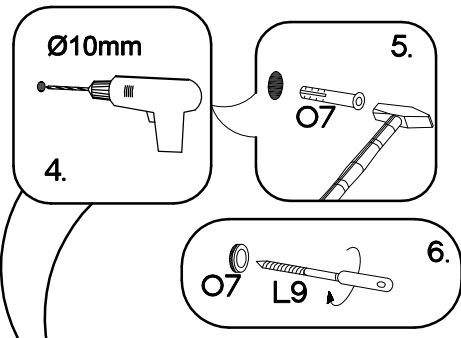
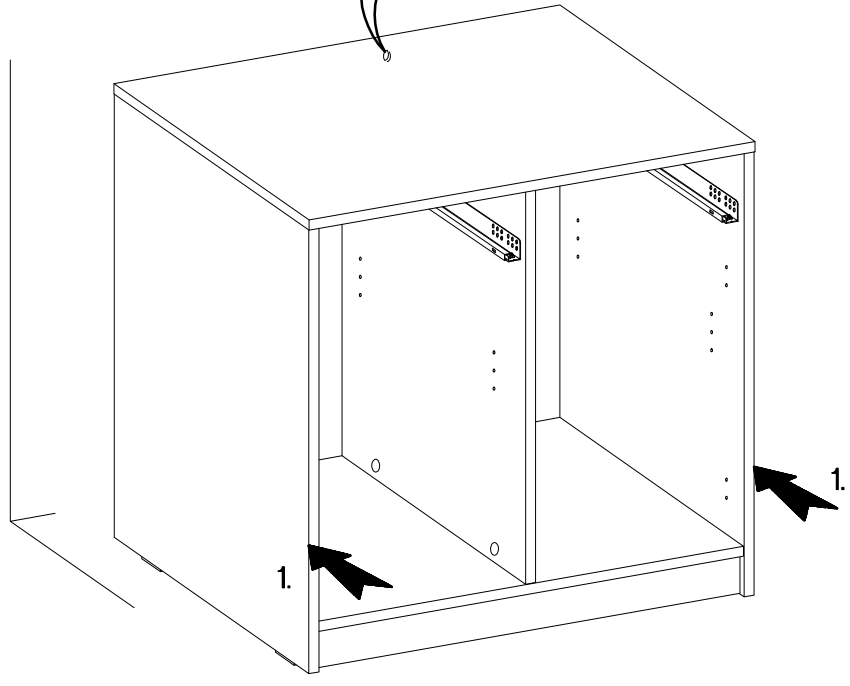





∅3.0x20mm			
	P7	L2	L
	11	5	8

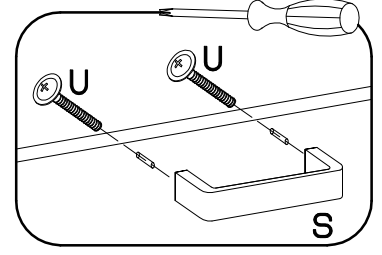
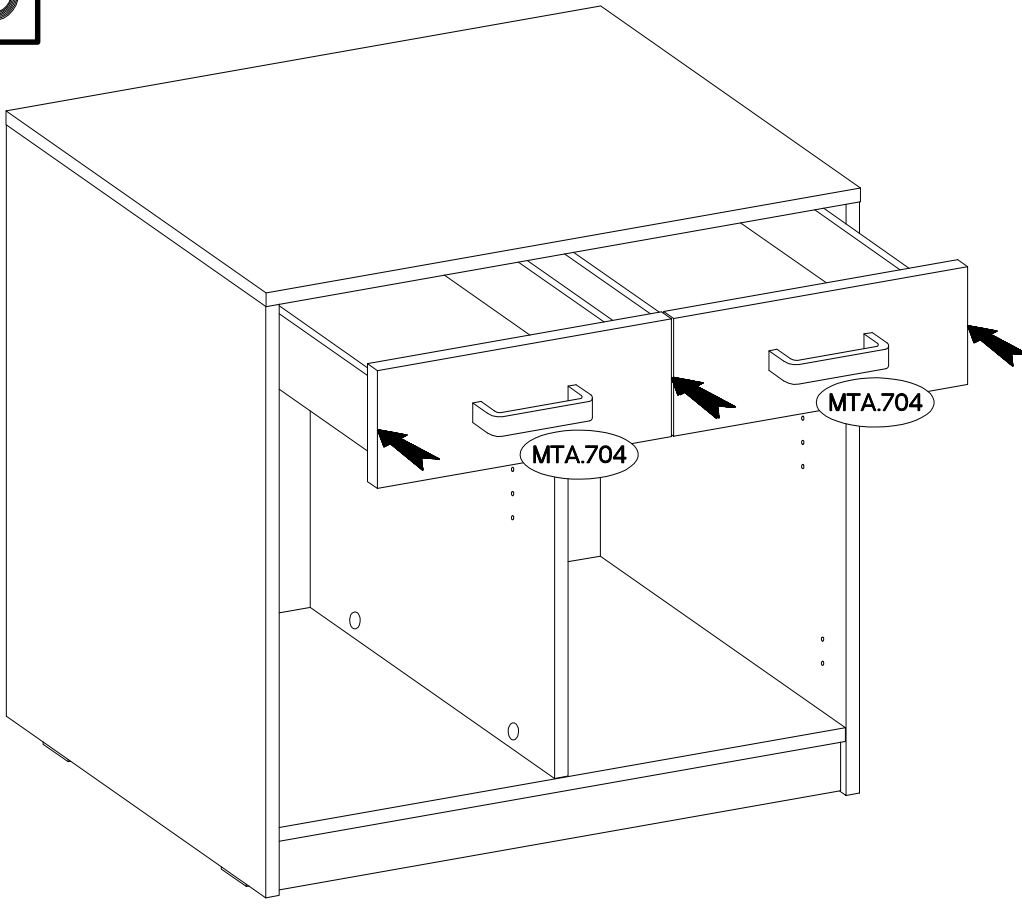




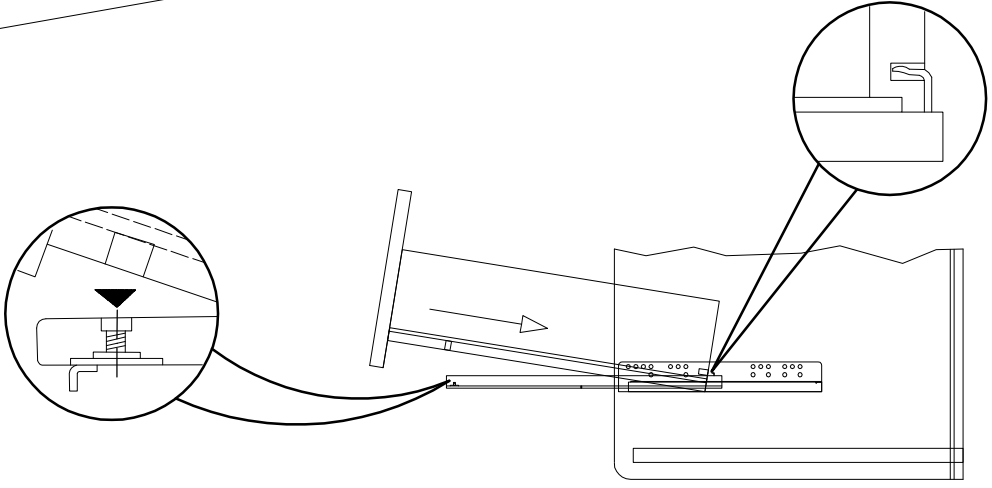
$\pm 10 \times 50 \text{mm}$  O7 1	 L9 1	$\pm 3.5 \times 13 \text{mm}$  P5 1
---	---	--



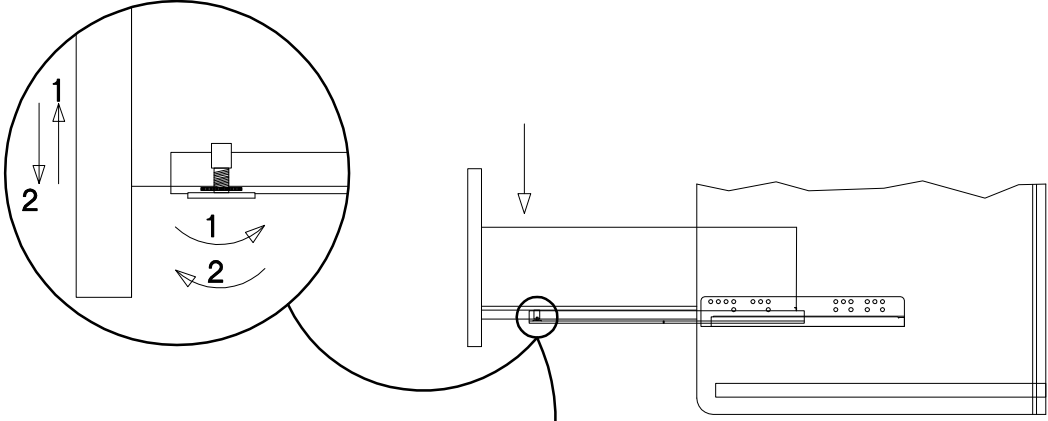
±3.0x20mm	L=128mm	M4x22mm
		
P7	S	U
2	2	4



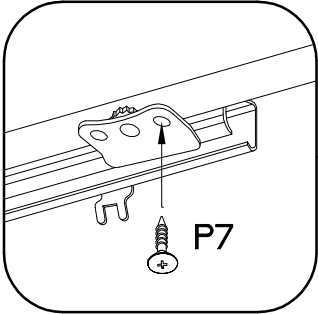
1.

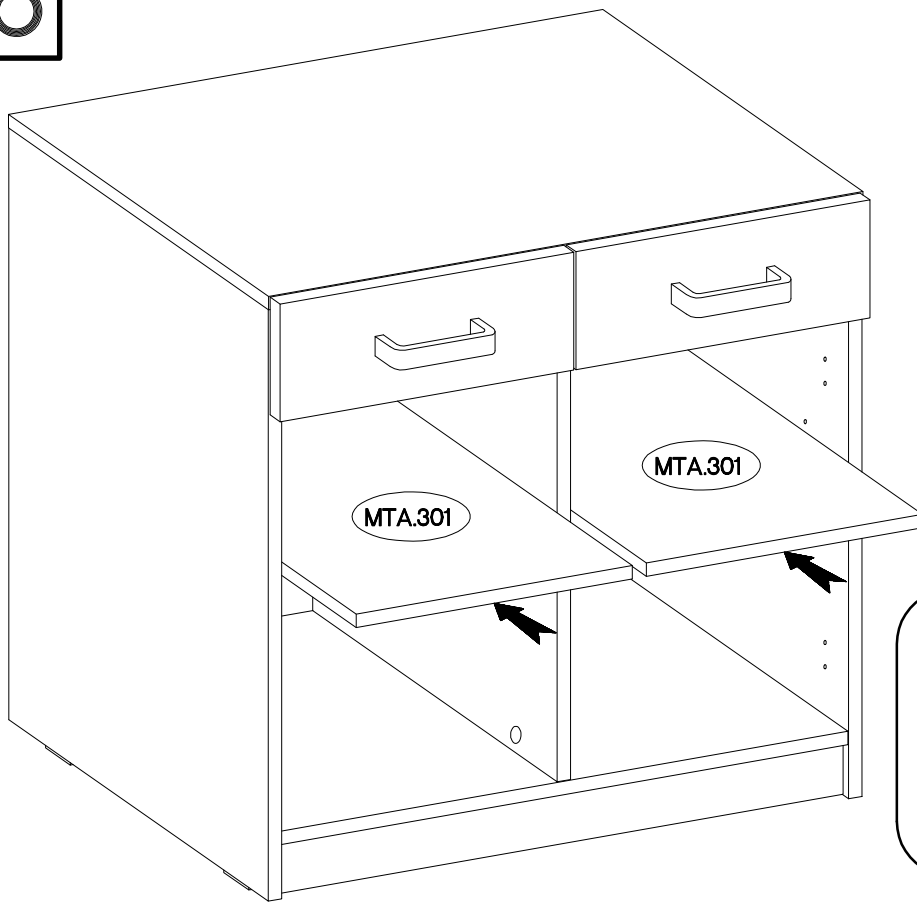



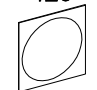
2.

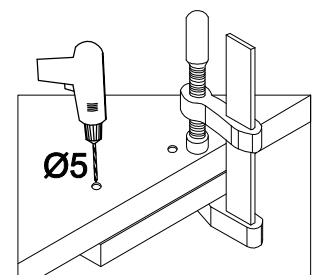
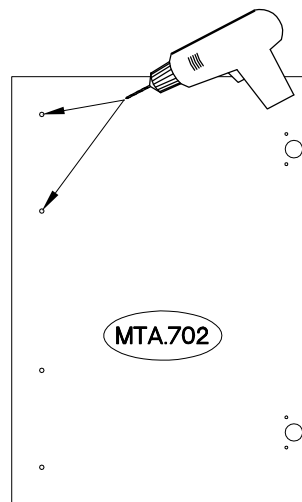
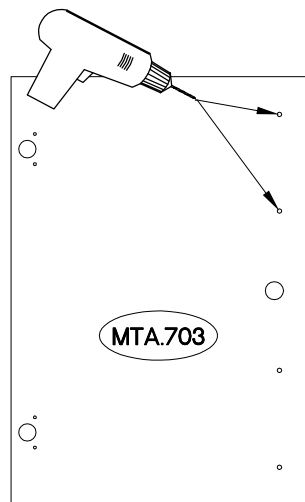
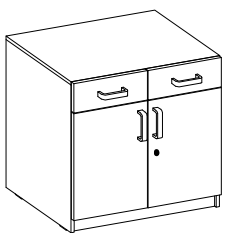
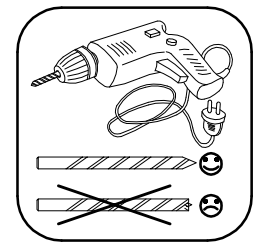
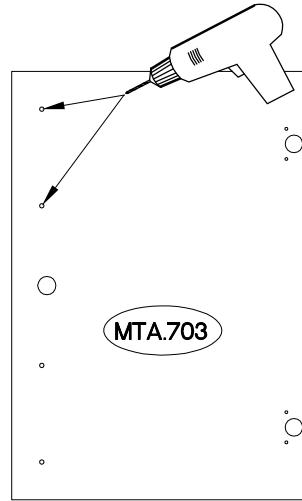
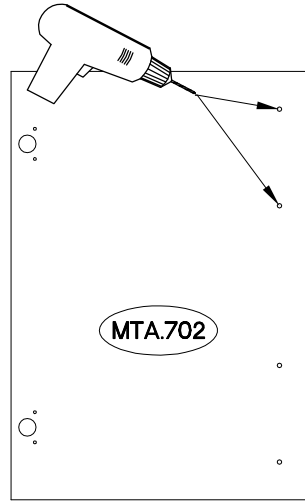
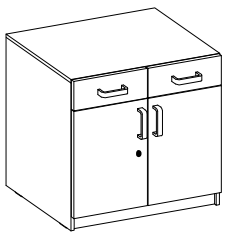
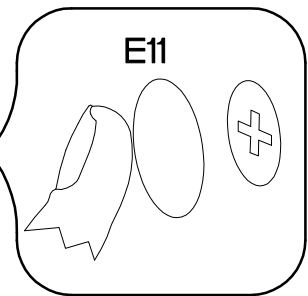
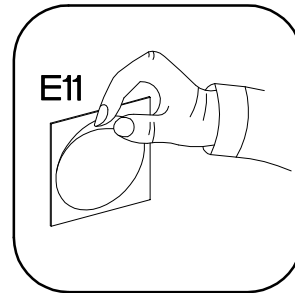
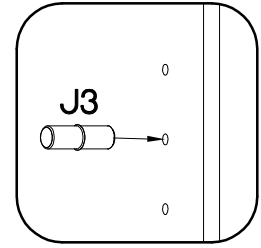


3.



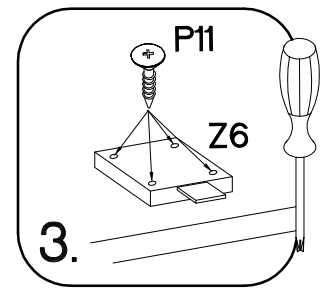
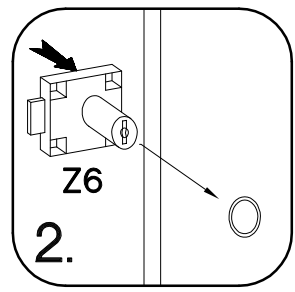
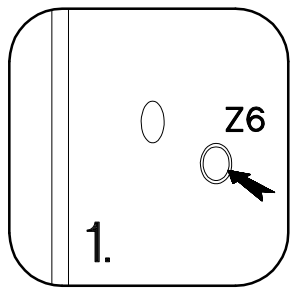
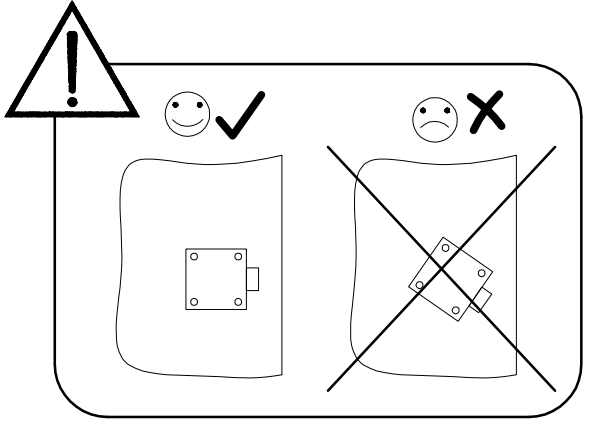
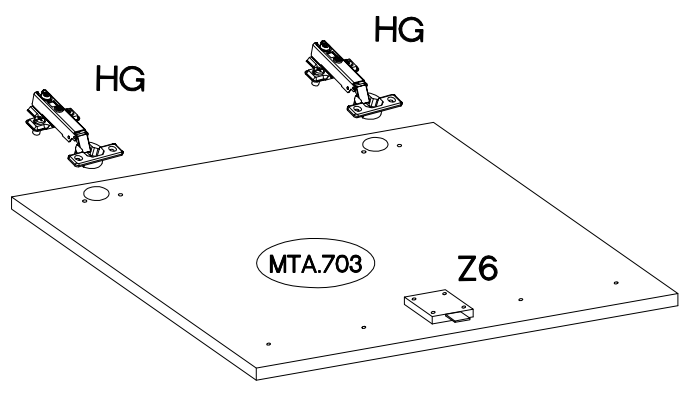
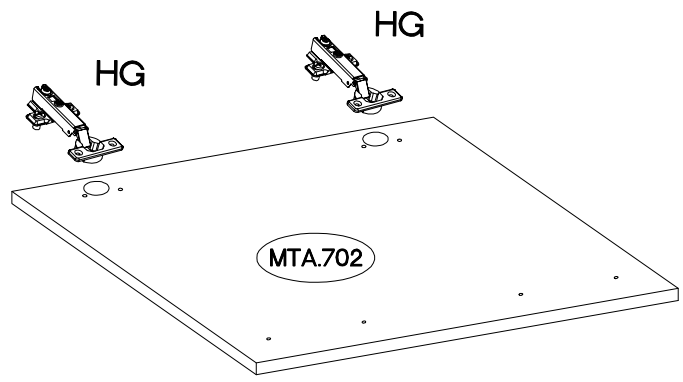
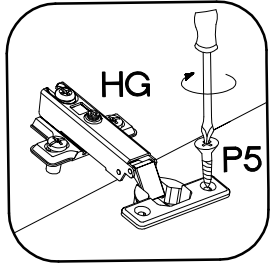


$\pm 5/16\text{mm}$  J3 8	± 20  E11 2
---	---



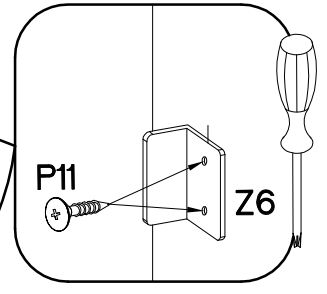
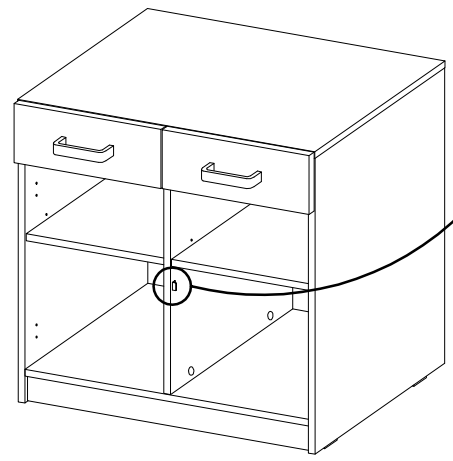
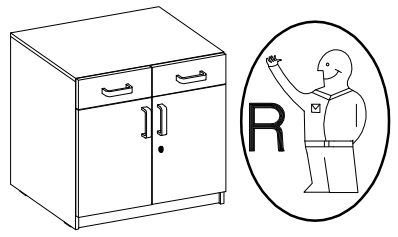
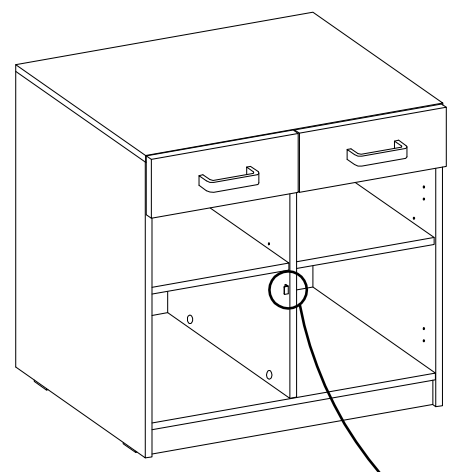
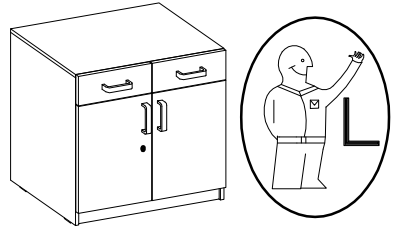
18

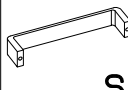

$\pm 35/0\text{mm}$ [CD] HG 4	$\pm 3.5 \times 13\text{mm}$ P5 8	Z6 1	$\pm 3.0 \times 16\text{mm}$ P11 4
-------------------------------------	---	---------	--

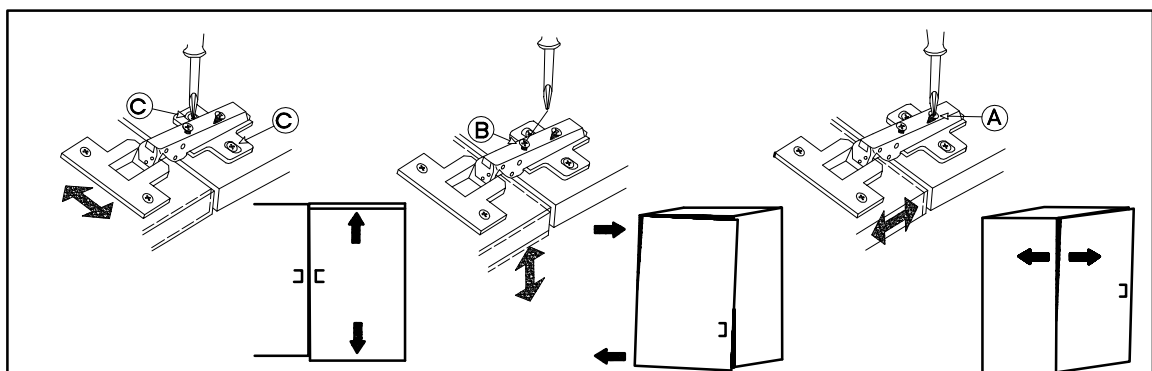
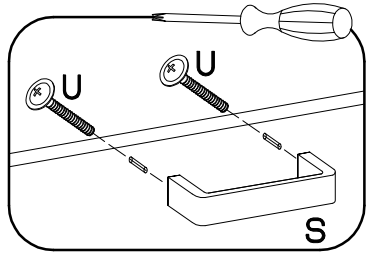
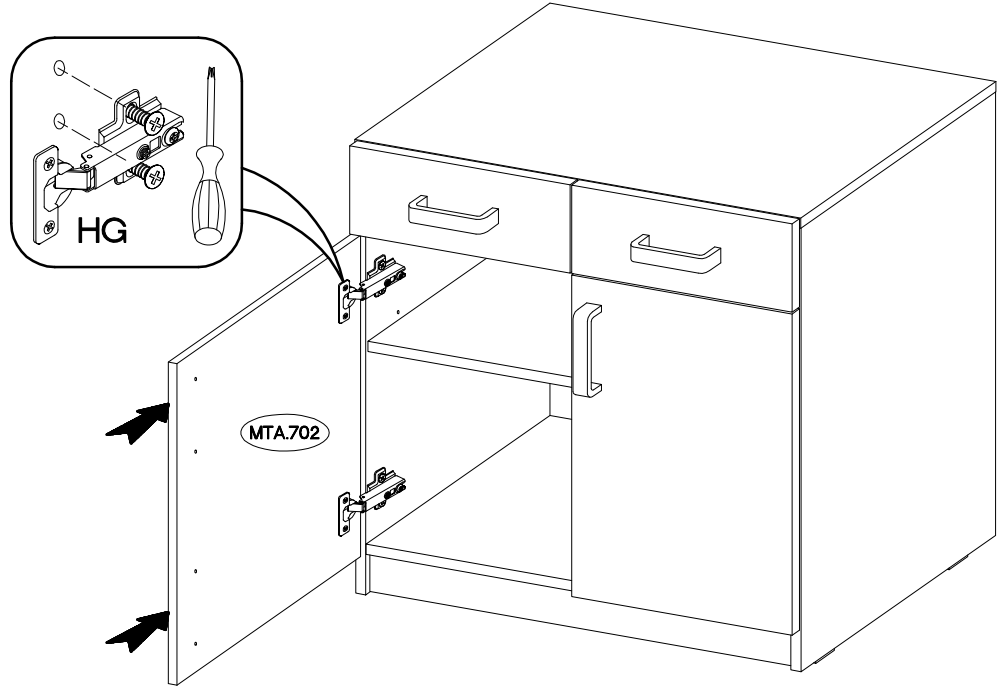
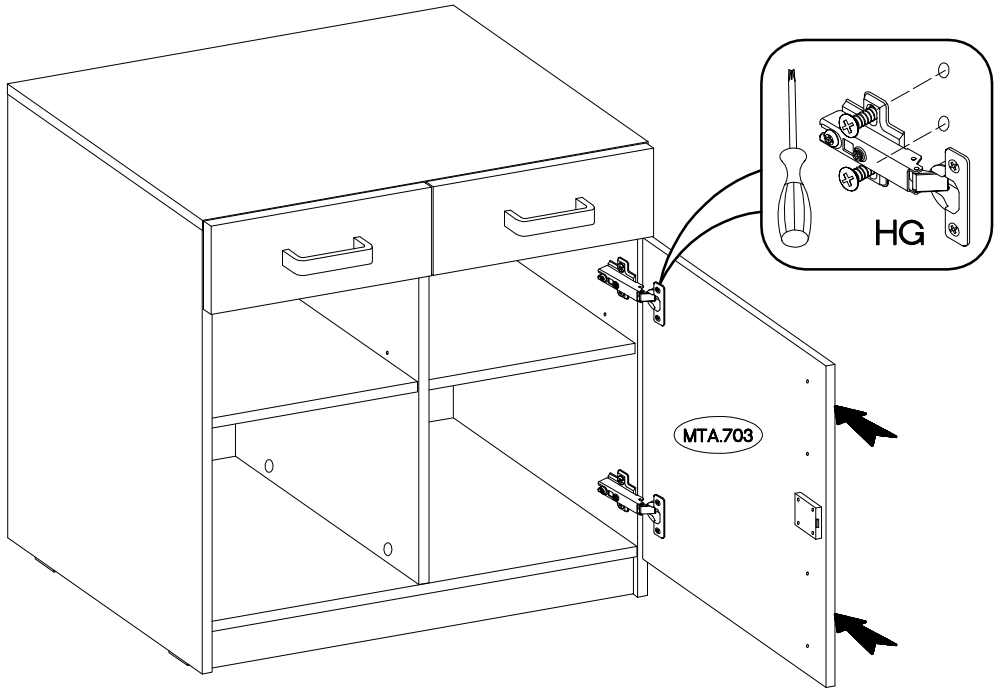


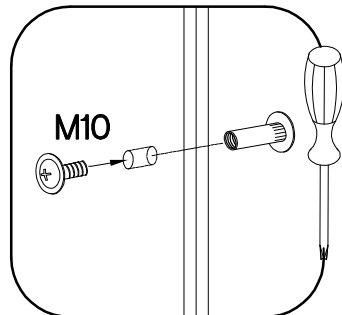
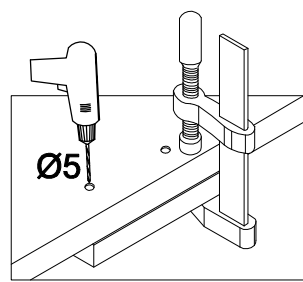
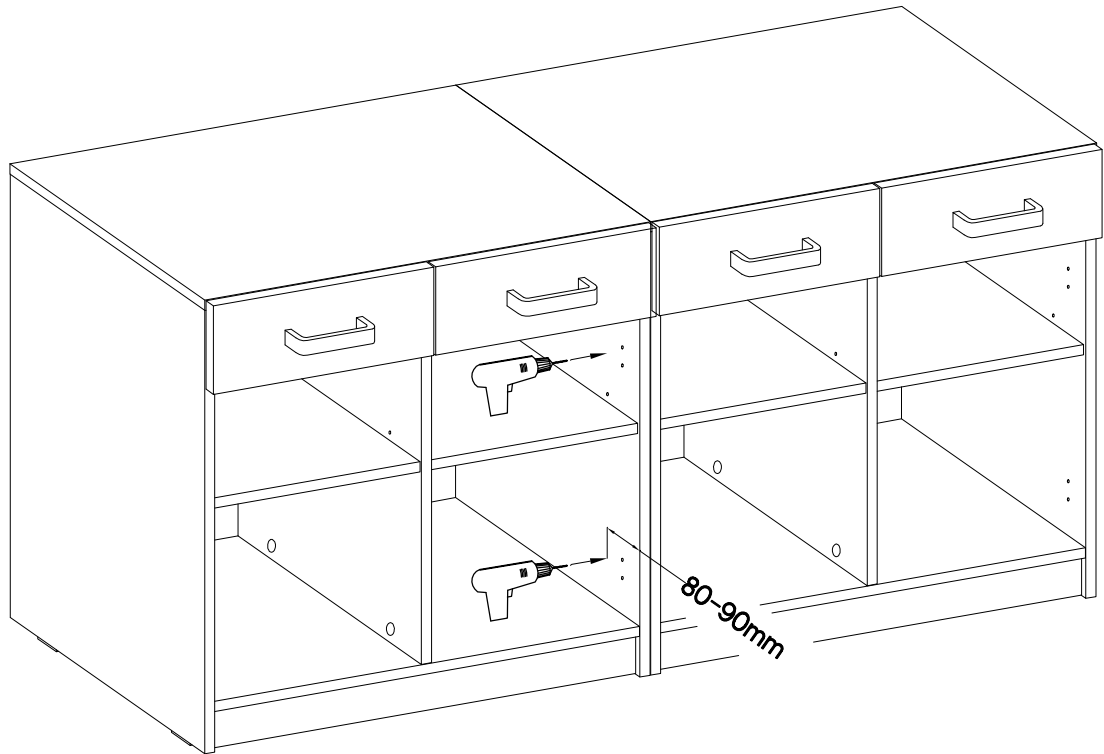
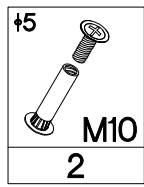
19

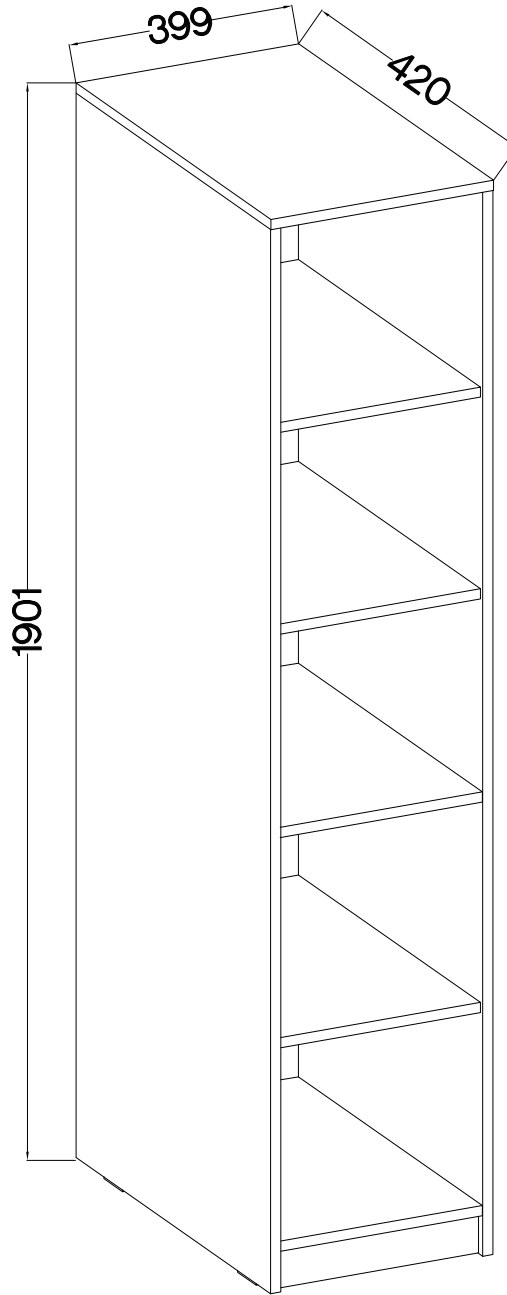
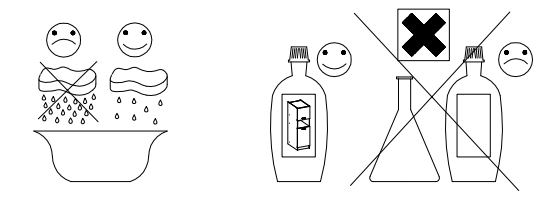
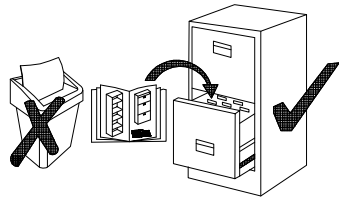
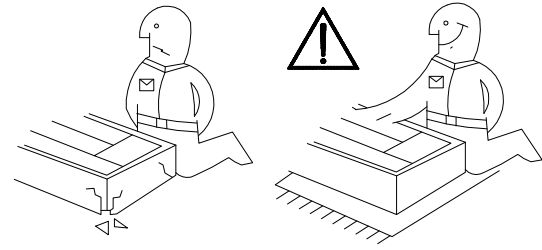
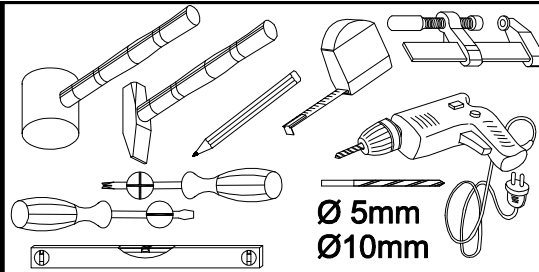
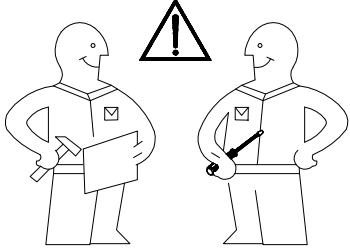
Z6 1	$\pm 3.0 \times 16\text{mm}$ P11 2
---------	--



L=128mm	M4x22mm
	
S	U
2	4







+8x30mm
A
16

+15/12mm	L=20mm
C	D2
12	12

+20
E11
8

6.5x48x16
F2
4

+5/16mm
J3
12

L
16

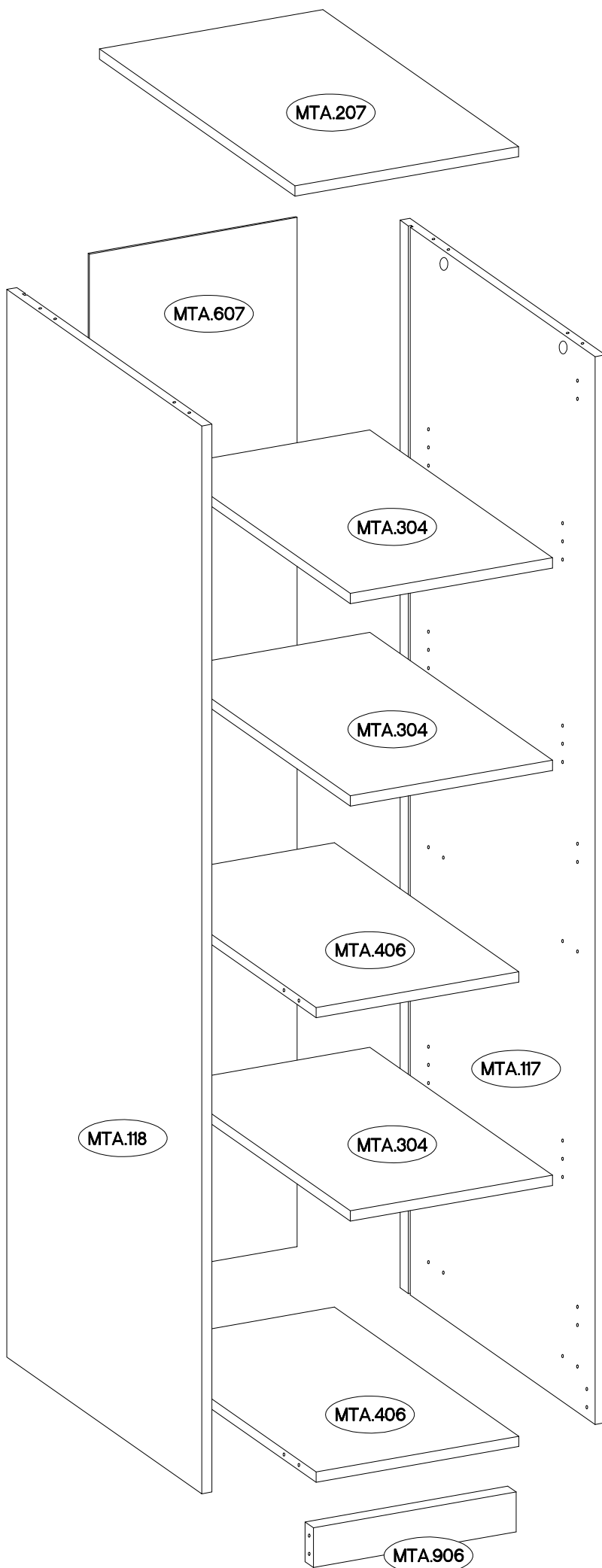
L9
1

+5
M10
2

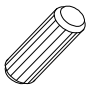


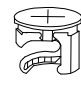
+10x50mm
O7
1

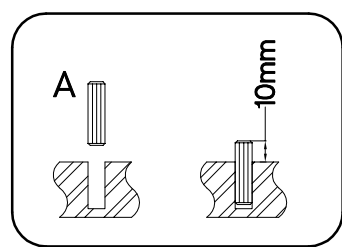
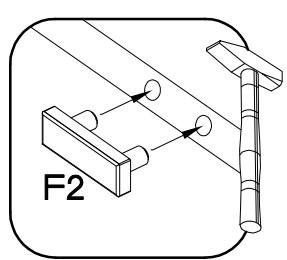
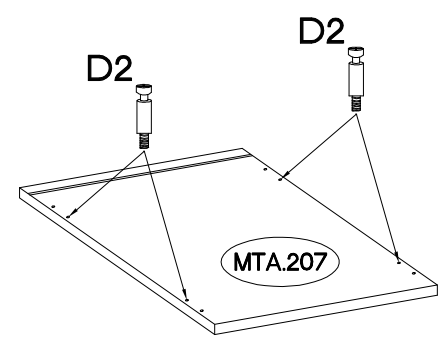
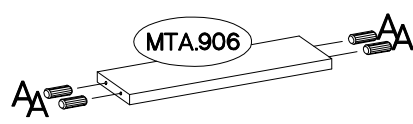
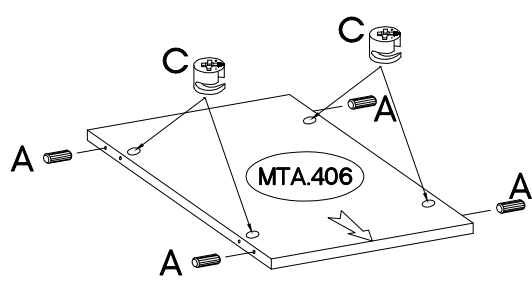
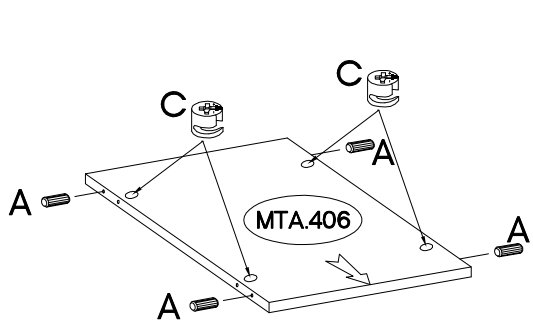
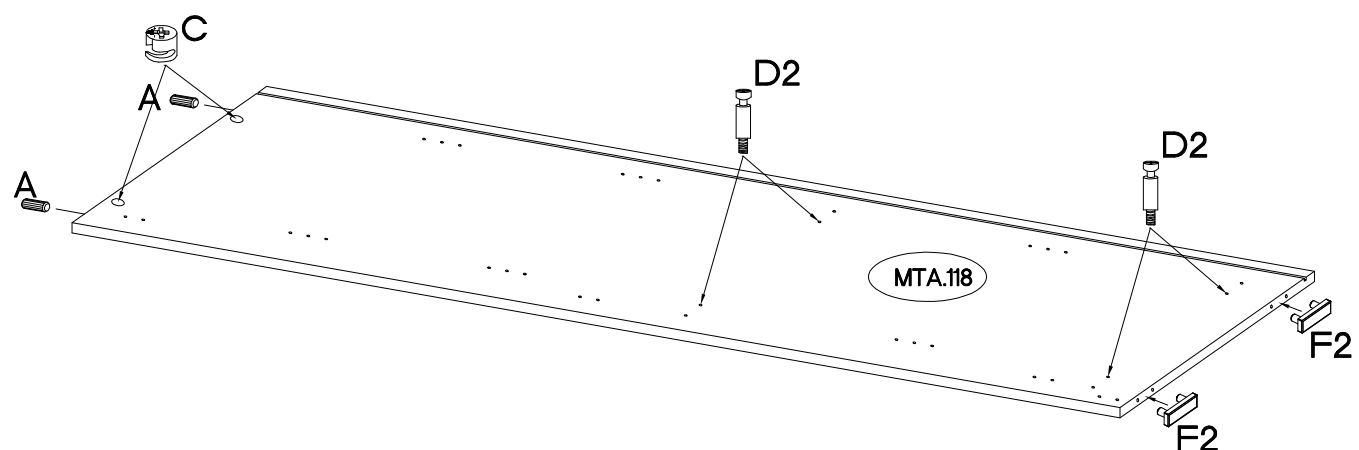
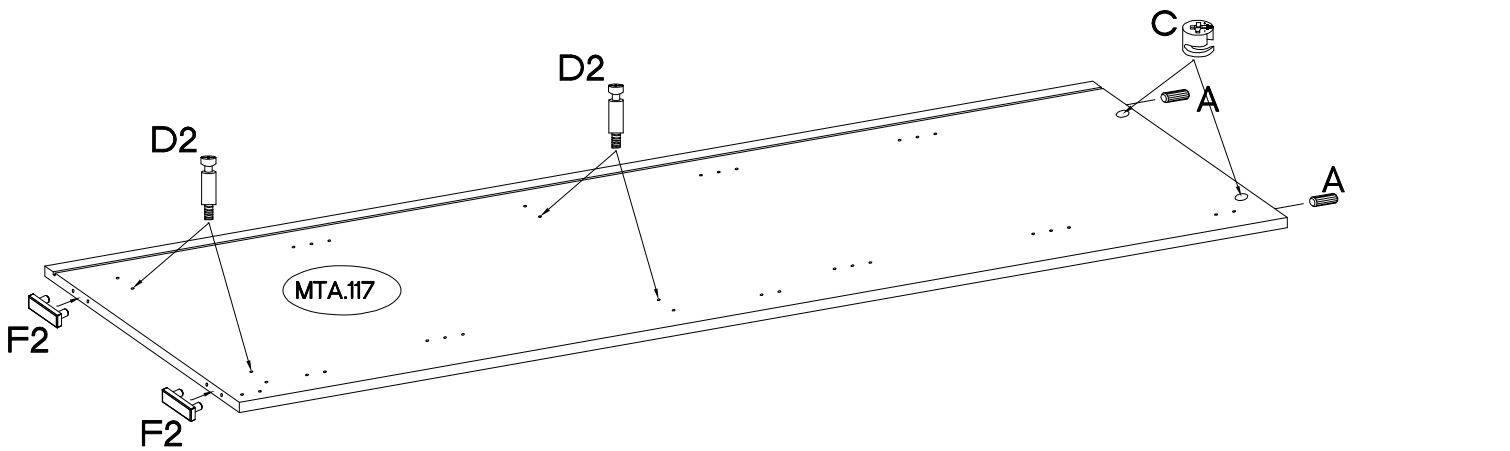
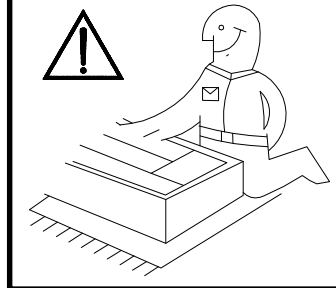
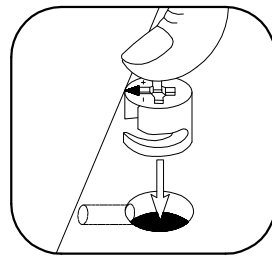
+3.5x13mm
P5
1

+3.0x20mm
P7
6

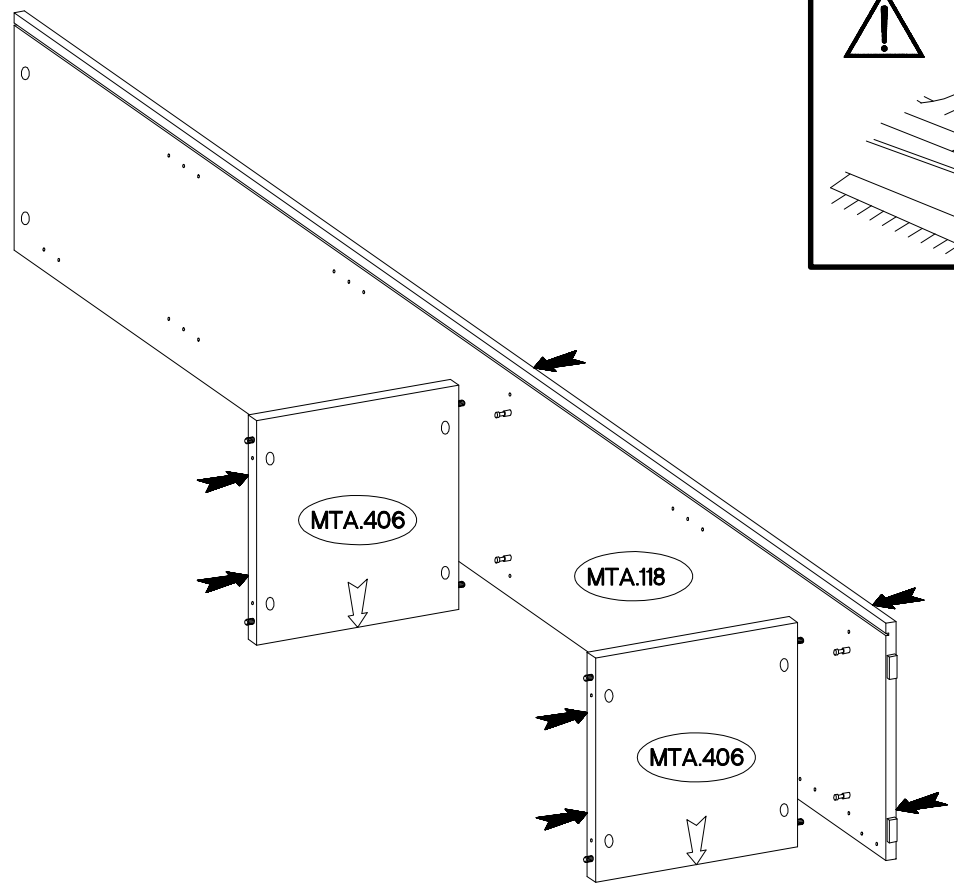


MTA.117	1878x419x18
MTA.118	1878x419x18
MTA.207	399x420x18
MTA.304 x3	361x392x18
MTA.406 x2	362x396x18
MTA.607	1810x371x2,5
MTA.906	362x70x18

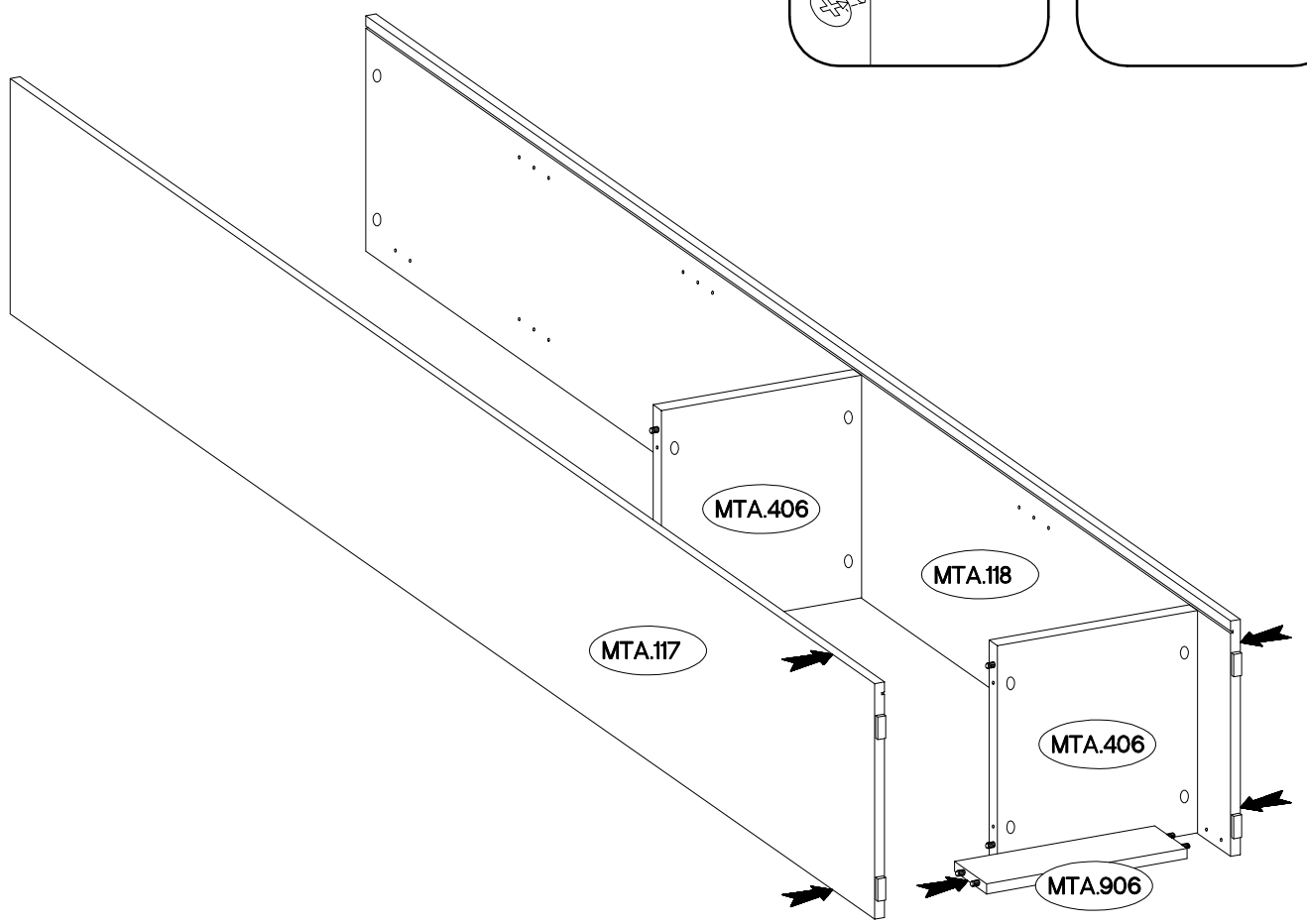
$\varnothing 8 \times 30 \text{mm}$  A 16	$6.5 \times 48 \times 16$  F2 4	$L=20 \text{mm}$  D2 12	$\varnothing 15 / 12 \text{mm}$  C 12
--	--	--	--



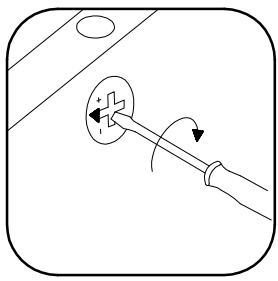
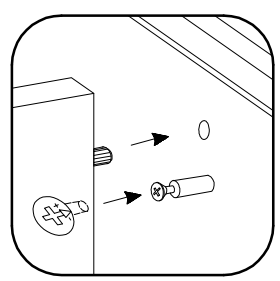
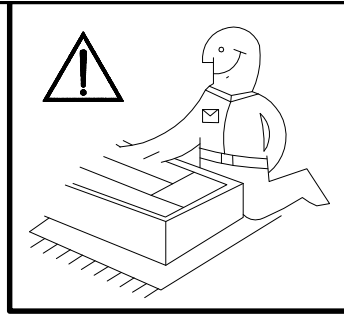
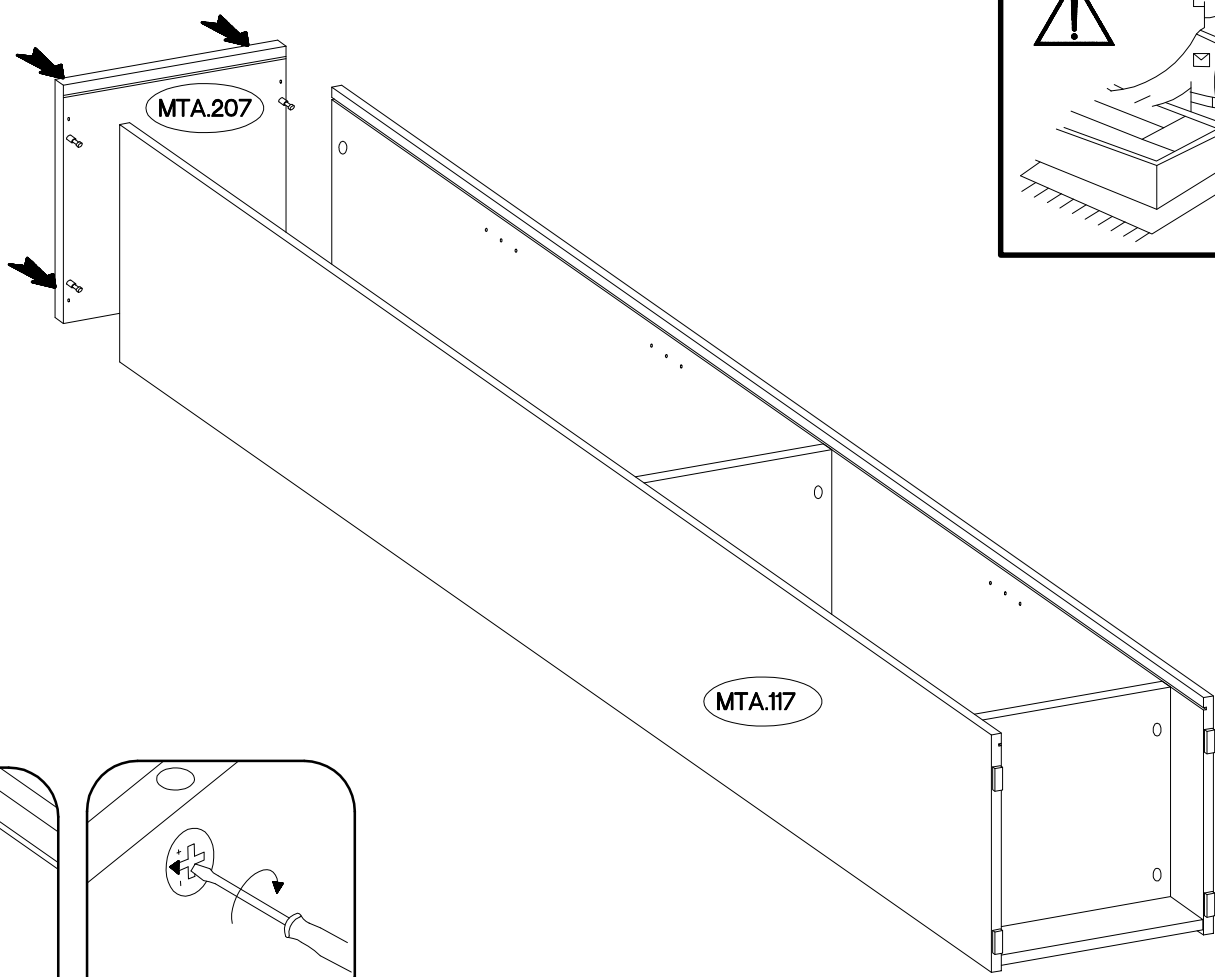
2



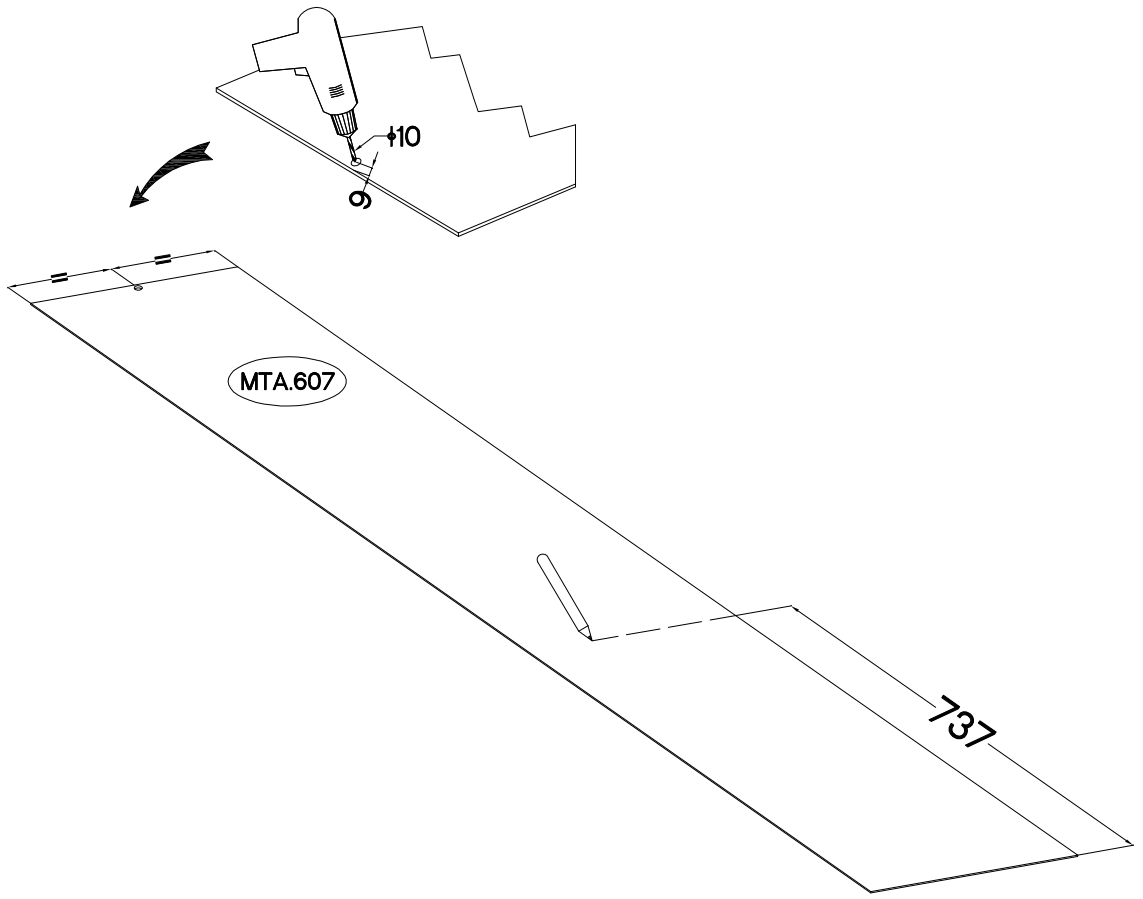
3


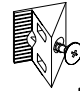


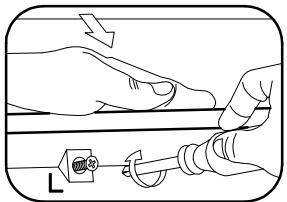
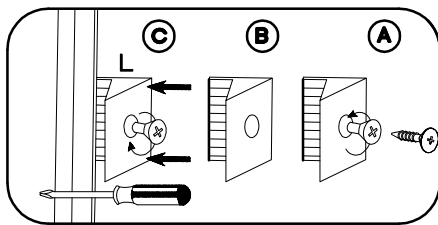
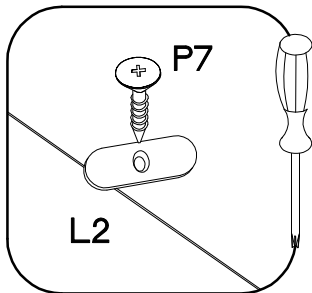
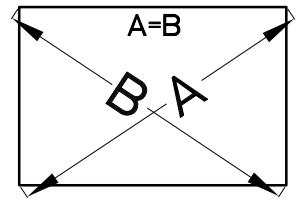
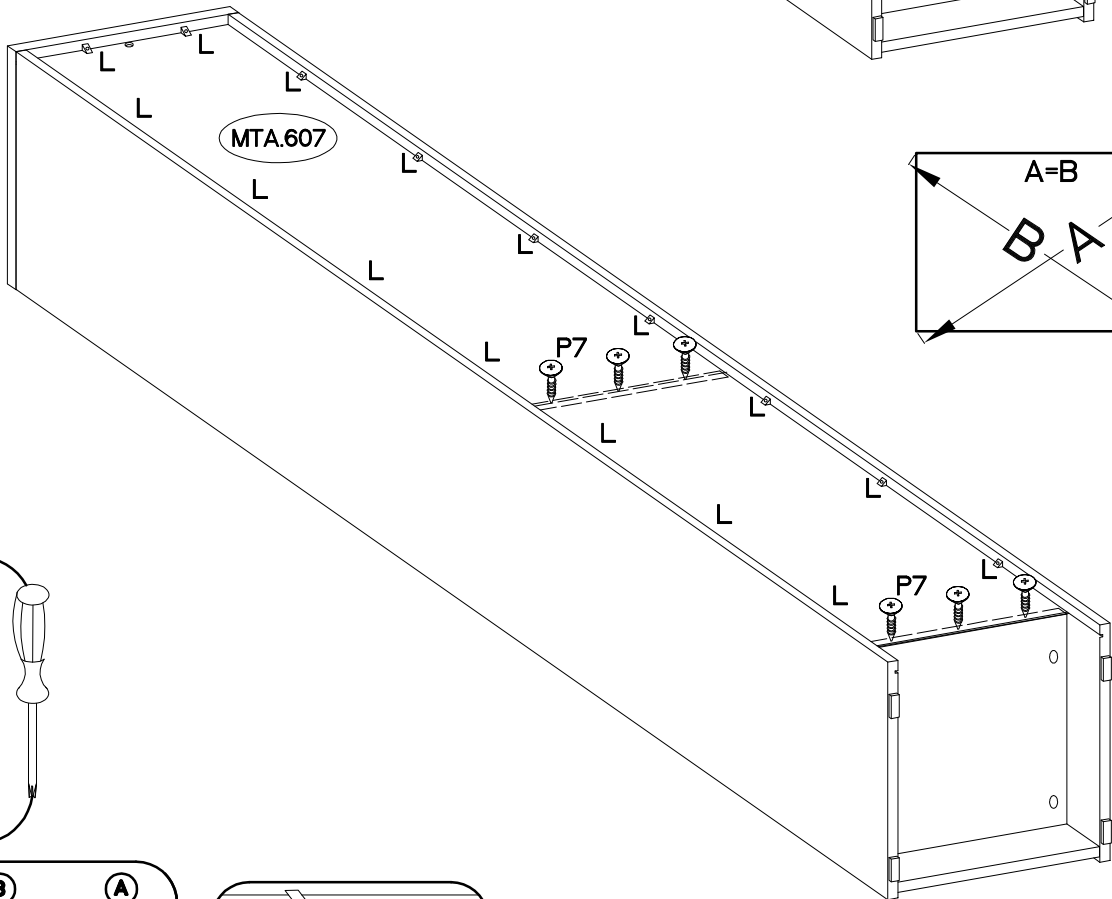
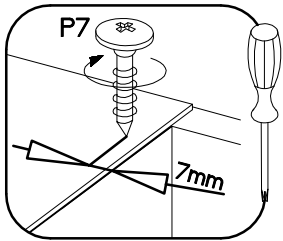
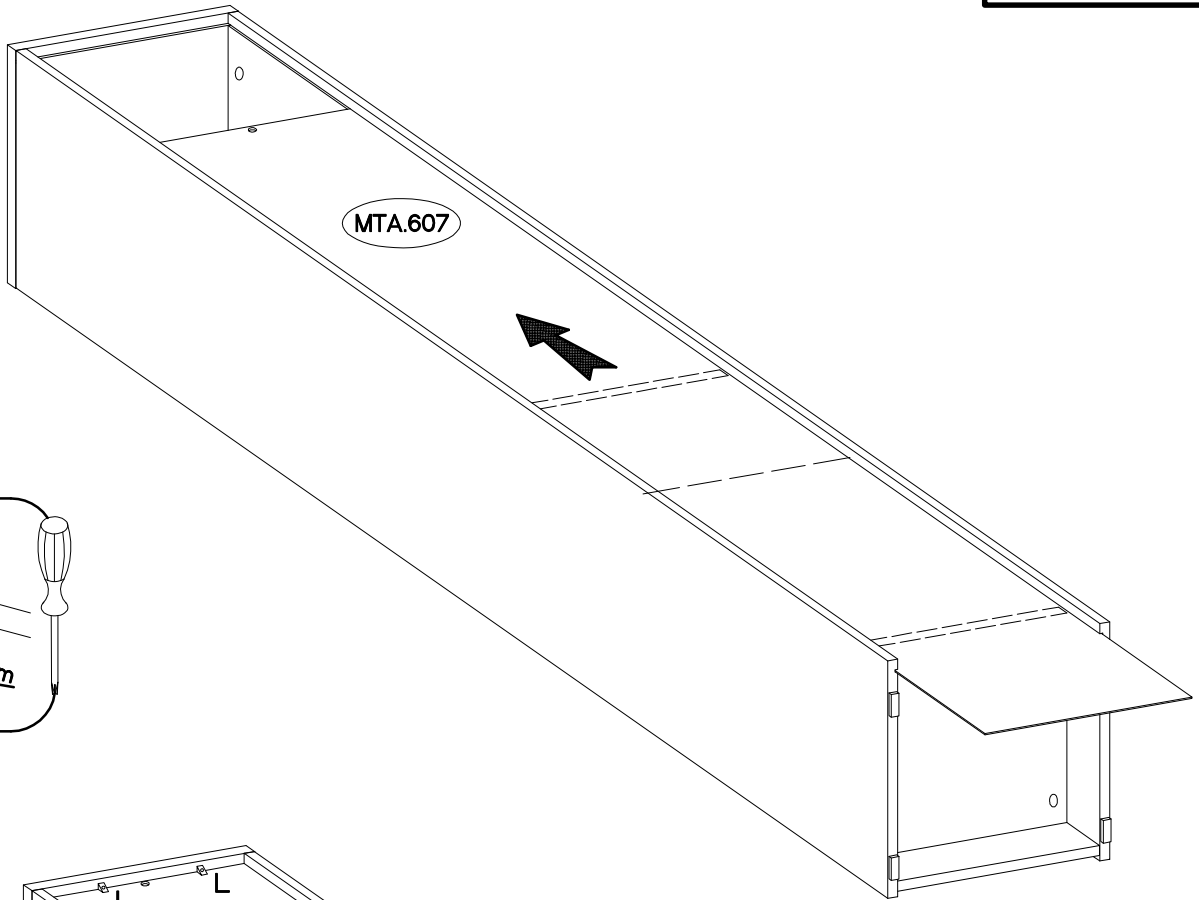
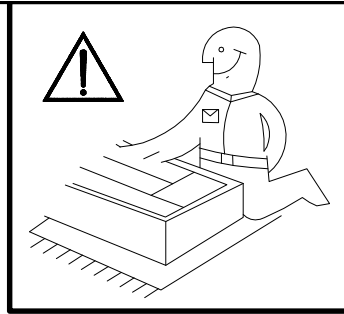
4






5

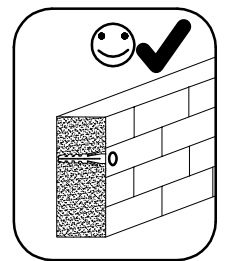
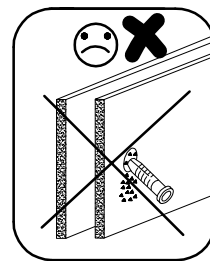
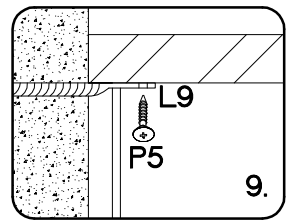
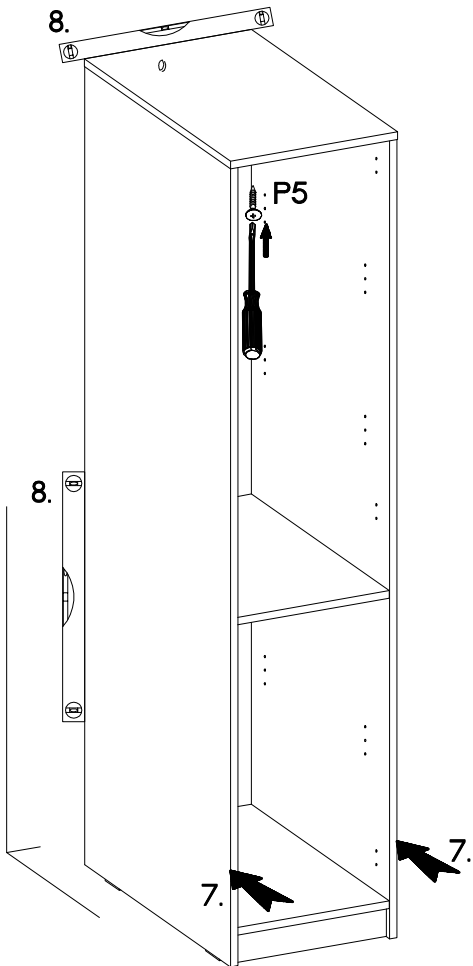
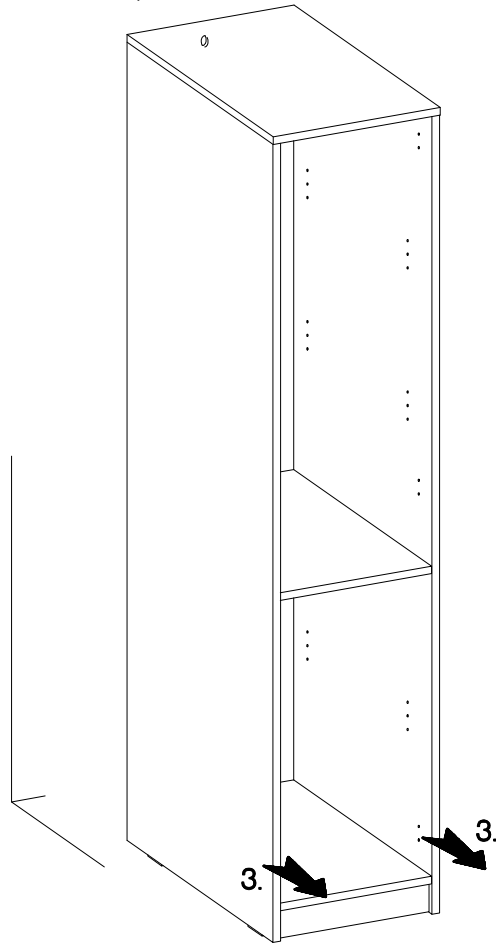
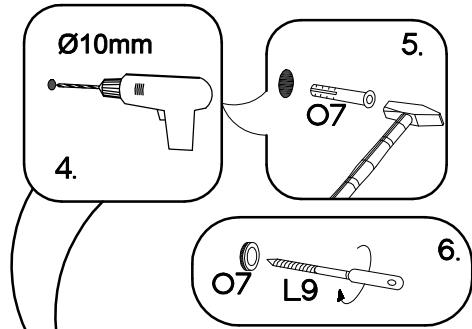
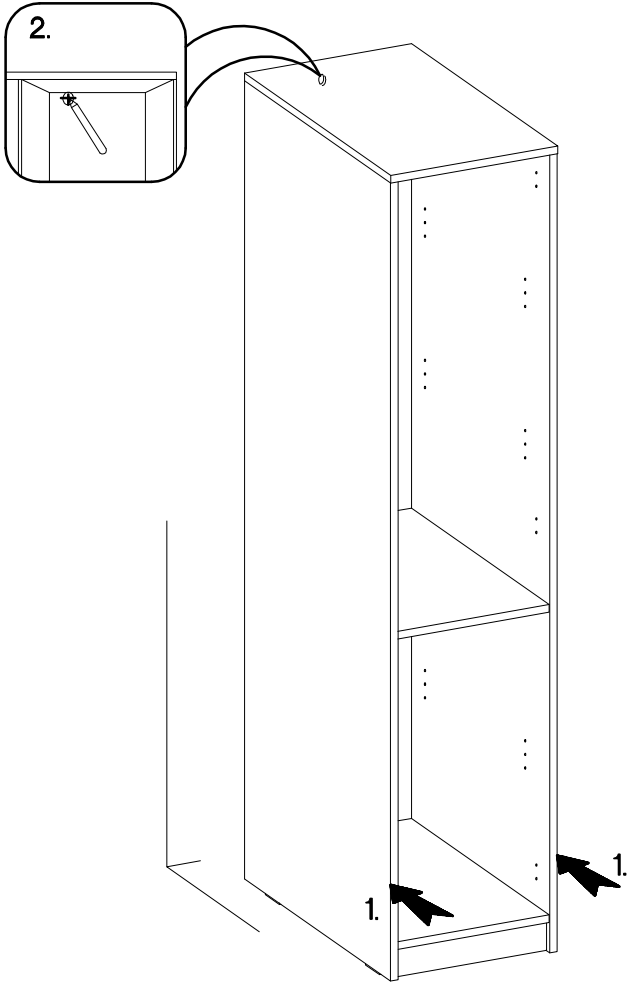


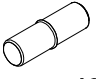
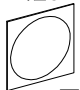
 P7 6	 L 16
--	---

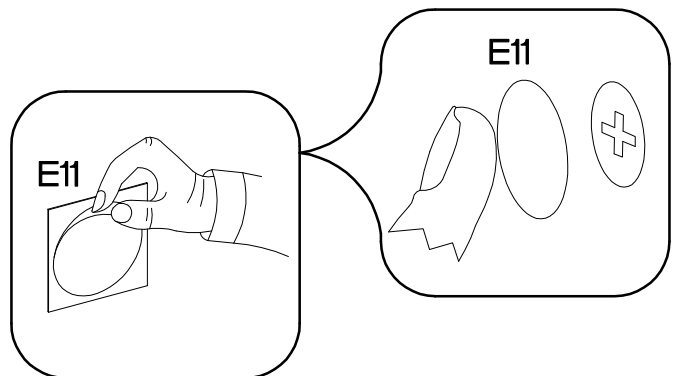
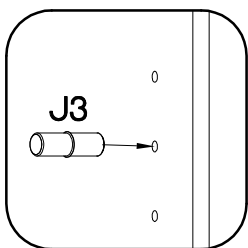
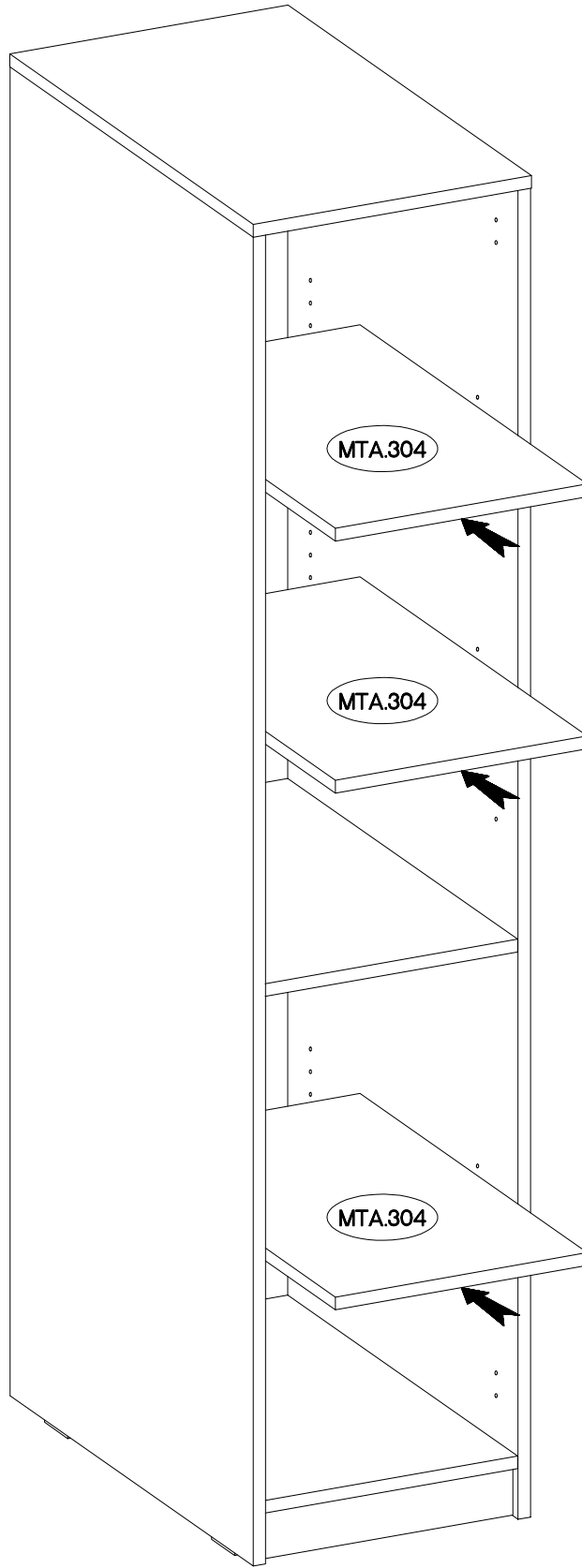


7

$\pm 10 \times 50 \text{mm}$ 		$\pm 3.5 \times 13 \text{mm}$ 
O7	L9	P5
1	1	1



±5/16mm  J3 12	±20  E11 8
---	---



9

