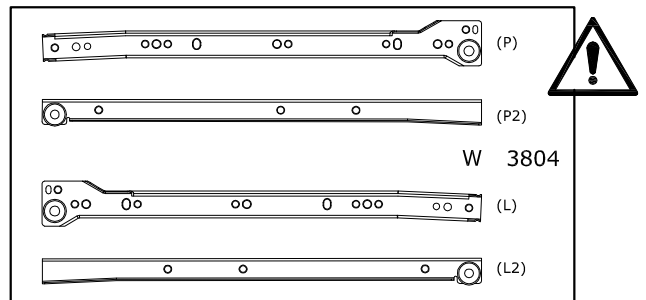
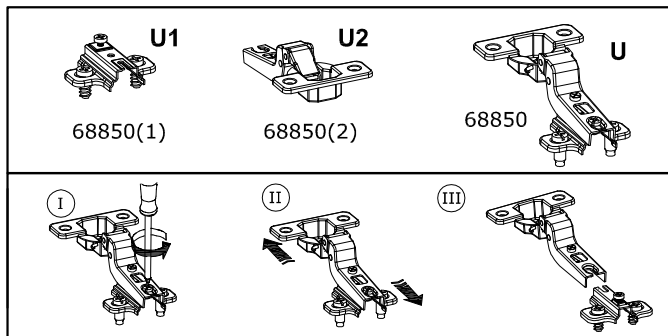
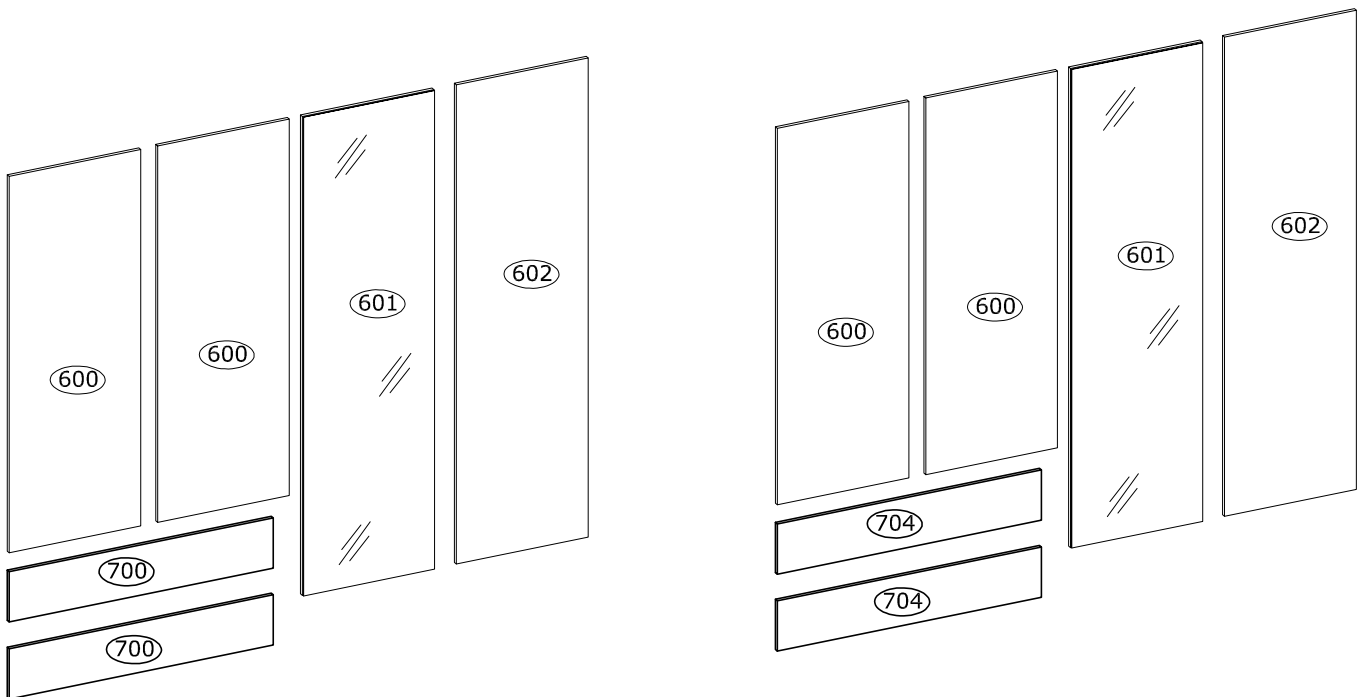
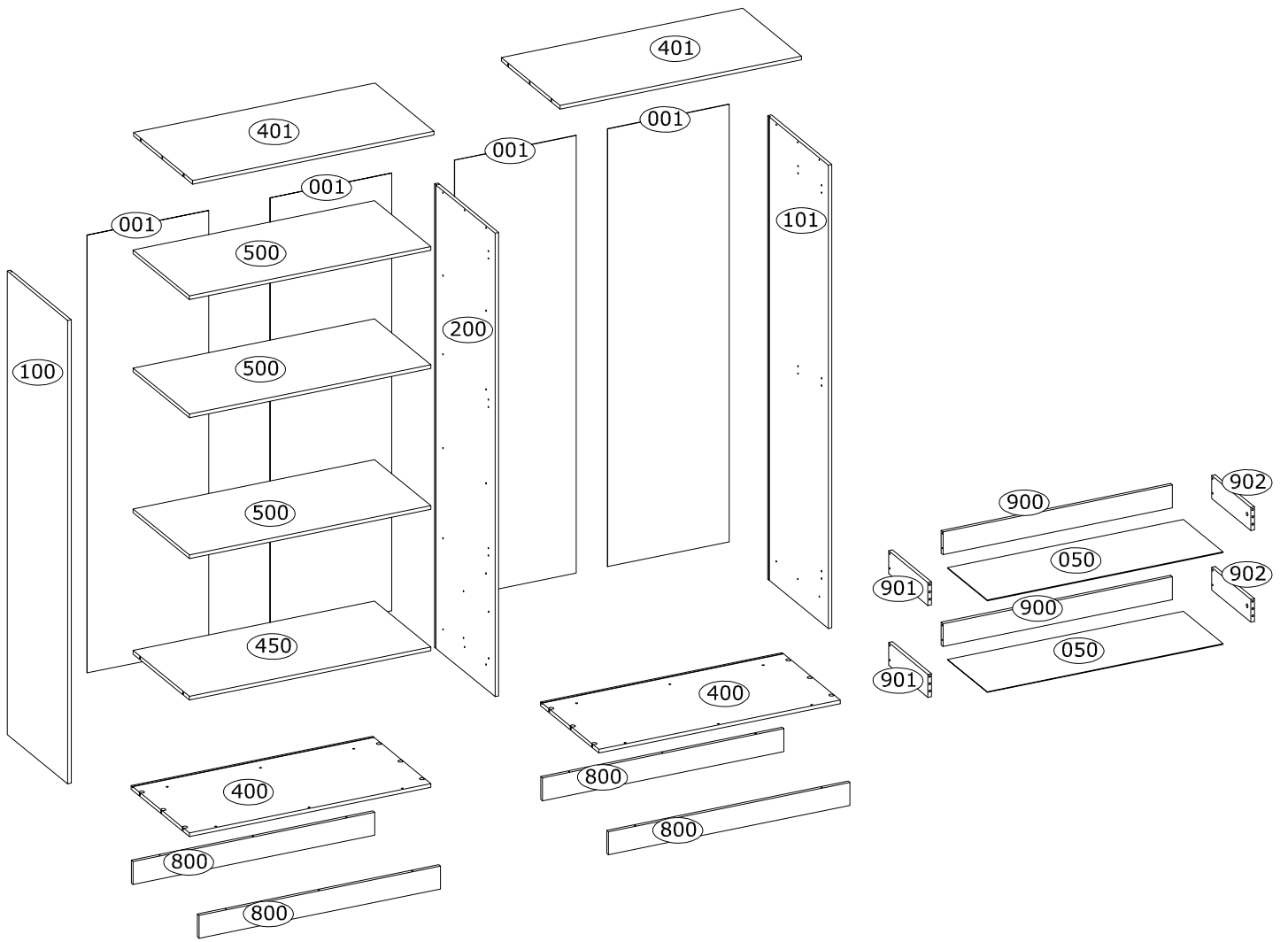


<b>A</b> Ø8x30 mm  x8 3989	<b>B</b> Ø6,5x36,5 mm  x4 4066	<b>C</b> Ø15x12 mm  x4 3996	<b>D</b>  x12 184248	<b>E</b> 20x22x13,5 mm  x28 208625
<b>F</b> Ø6,5x16 mm  x28 208665	<b>G</b> Ø12x42 mm  x8 IN01157	<b>H</b> 15x14x11 mm  x20 4044	<b>I</b> 42x17x20 mm  x4 4069	<b>J</b> 75x15x32 mm  x2 71900
<b>K</b>  x14 70313	<b>L</b> 4 mm  x1 3984	<b>M</b> Ø6,4x50mm  x12 3884	<b>N</b> Ø3,5x16 mm  x64 3918	<b>O</b> Ø6,0x13 mm  x8 3877
<b>P</b> 1,2x20 mm  x52 3975	<b>R</b> L-1890 mm  x2 217025	<b>S</b> L-1068 mm  x2 72529	<b>T</b> L-120 mm  x4 209928	<b>U</b> Ø35 mm , KR15  x12 68850
<b>W</b> L-350mm  x2 kpl 3804	<b>X</b> L-350 mm  x2 185476	<b>Y</b> Ø8x2 mm  x2 75516		

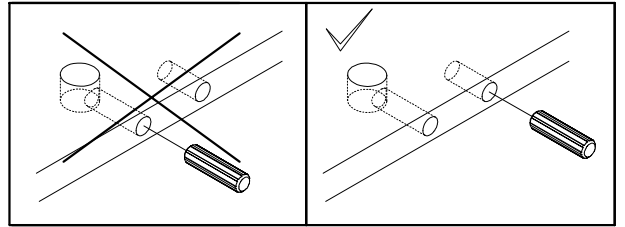
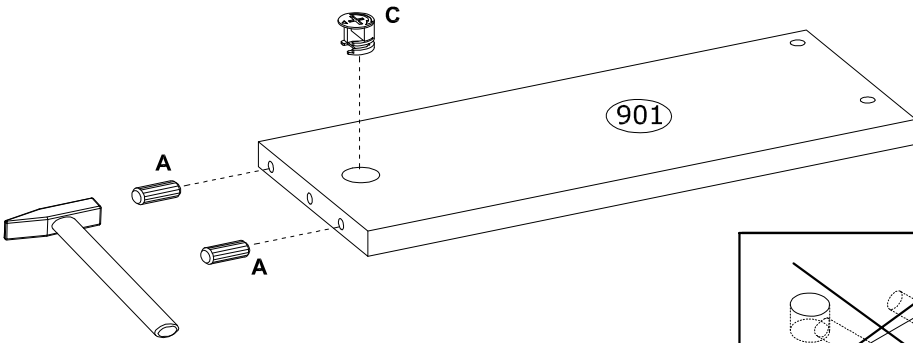
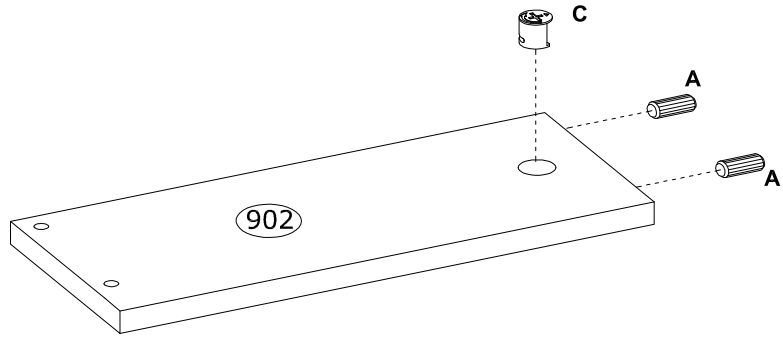
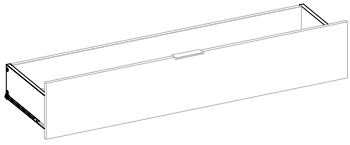


0  
10  
20  
30  
40  
50  
60  
70  
80  
90  
100  
110  
120  
130  
140  
150  
160  
170  
180  
190  
200



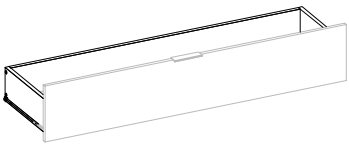
1

<b>A</b> Ø8x30 mm  x8 3989	<b>C</b> Ø15x12 mm  x4 3996	
---	--	--

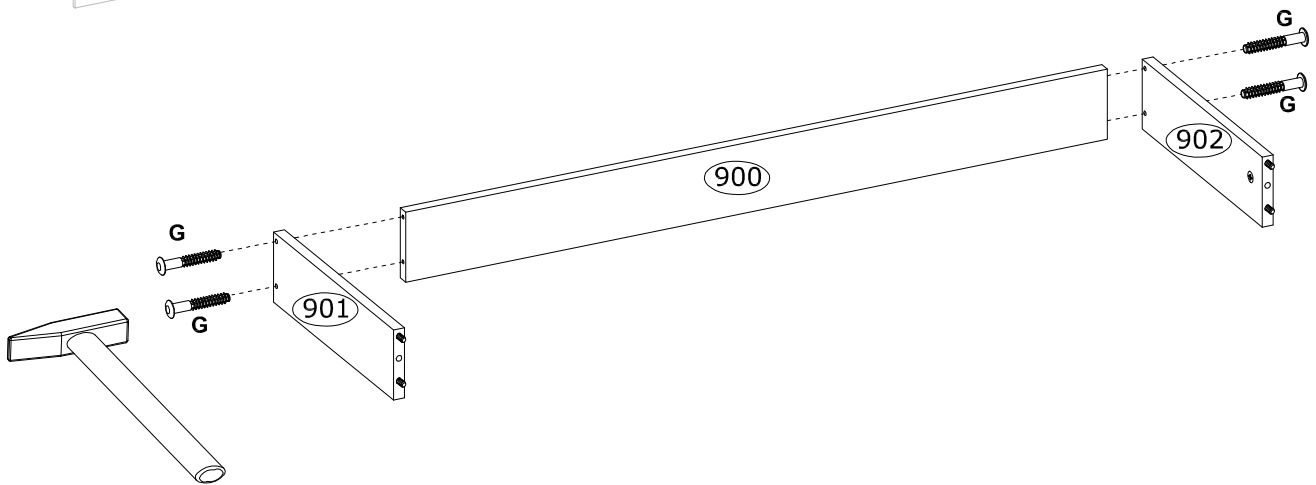


2

<b>G</b> Ø12x42 mm  x8 IN01157	
---	---

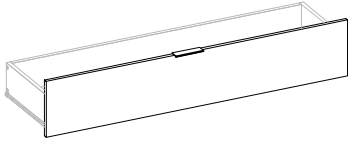
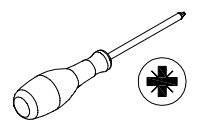


2x

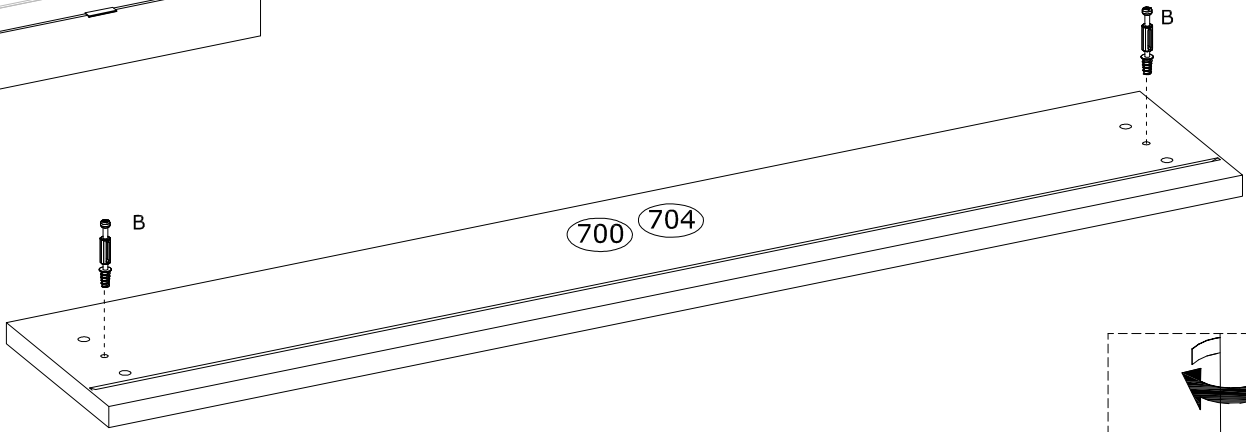


3

B  
Ø6,5x36,5 mm  
x4  
4066



2x

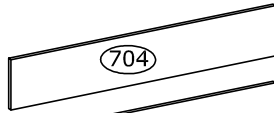


ULM 12

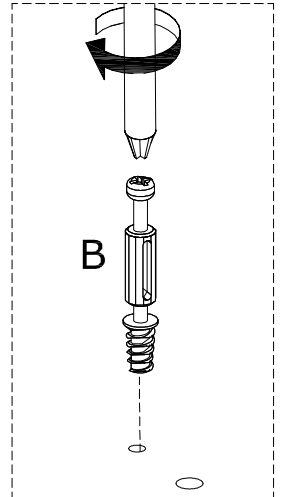


700

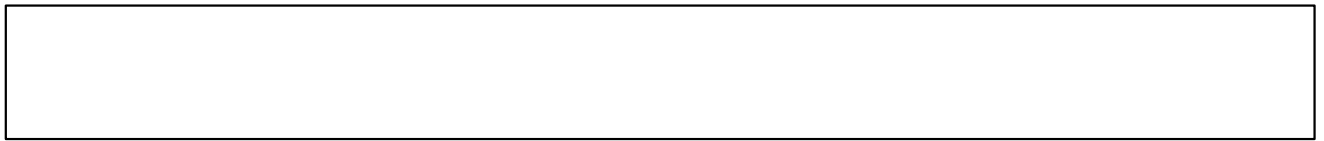
UPSALA 12



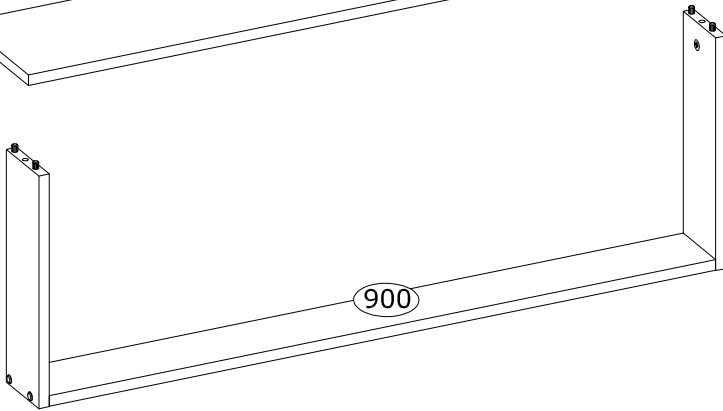
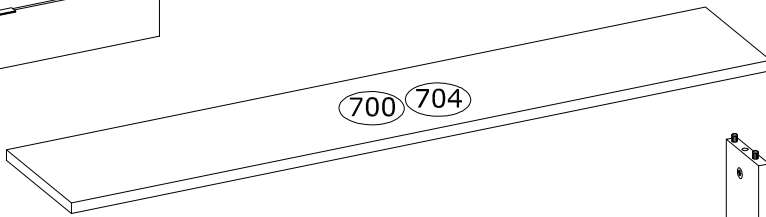
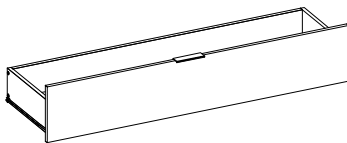
704



4



2x

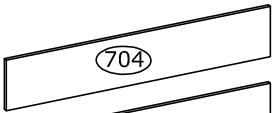


ULM 12

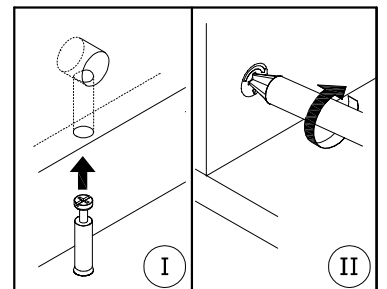


700




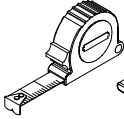

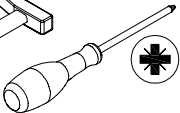
UPSALA 12



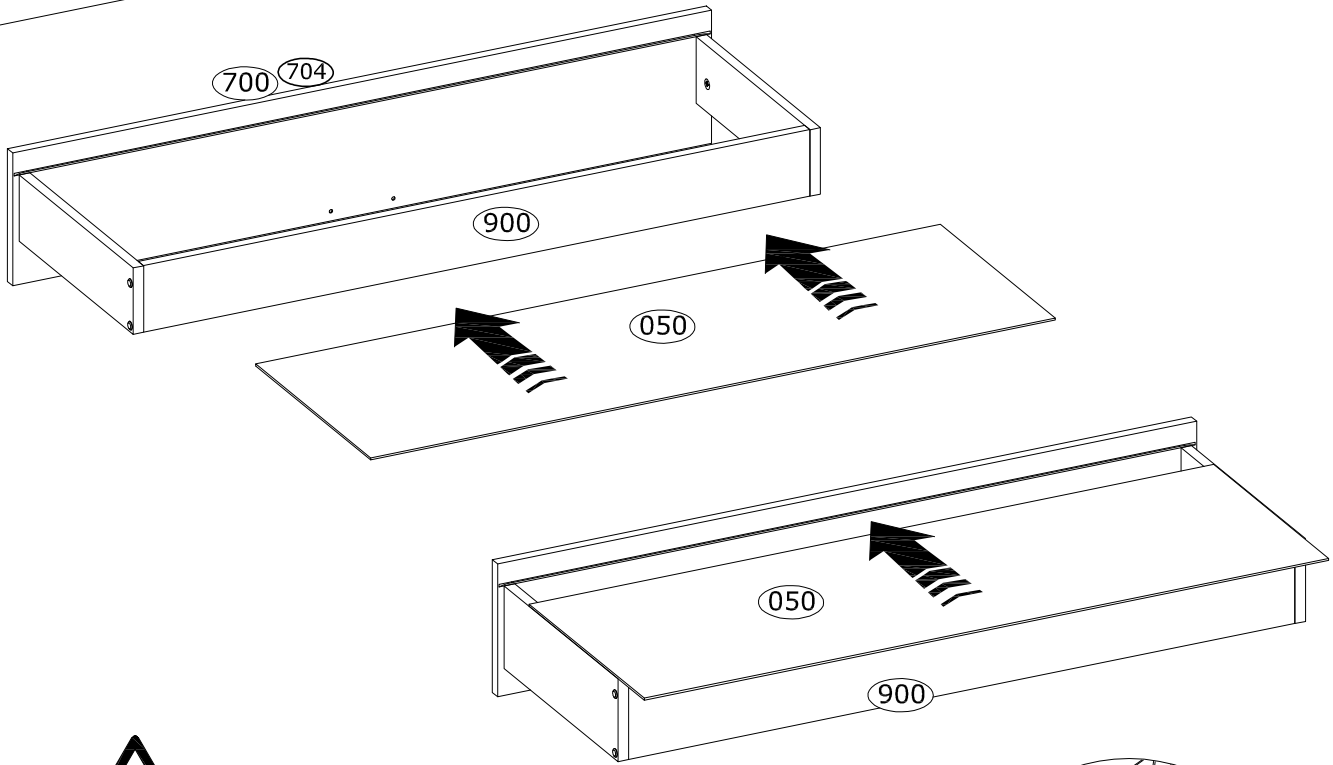
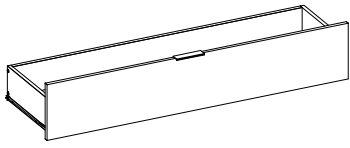
704



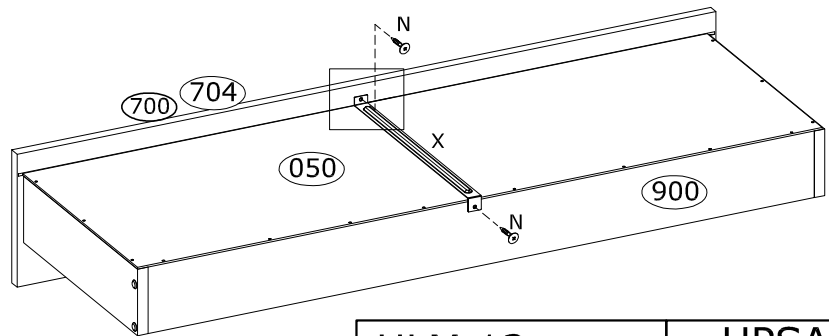
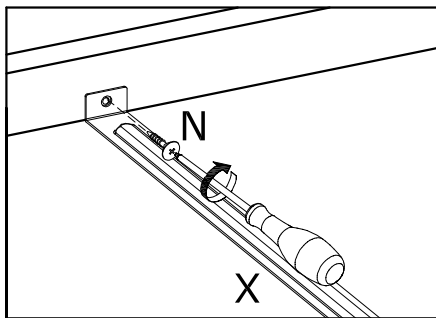
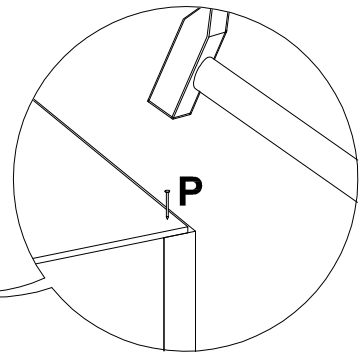
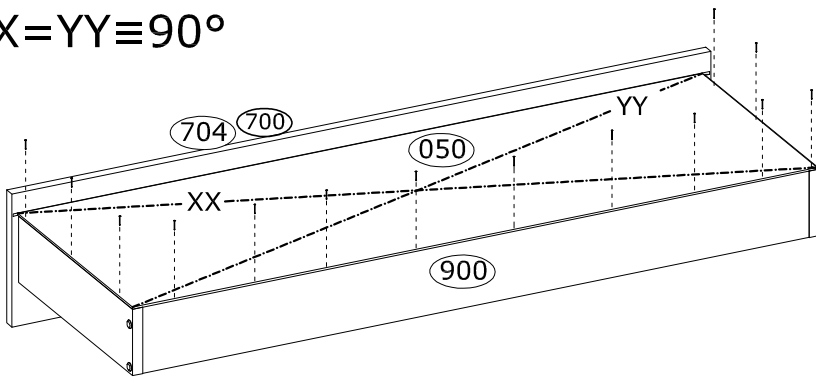
5

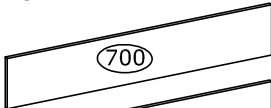

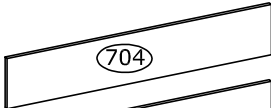
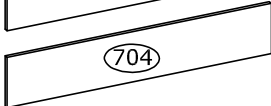
<b>X</b> L-350 mm  x2 185476	<b>N</b> Ø3,5x16 mm  x4 3918	<b>P</b> 1.2x20 mm  x28 3975	  
---	---	---	--

2x

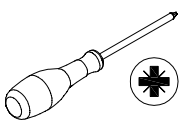

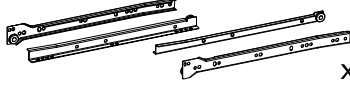



XX=YY≅90°

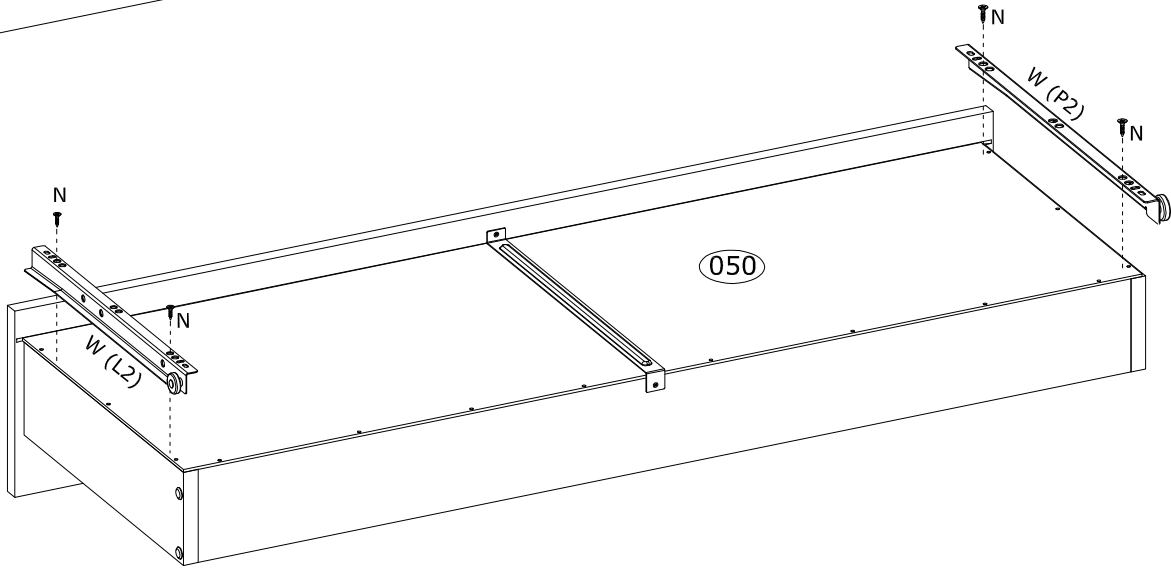
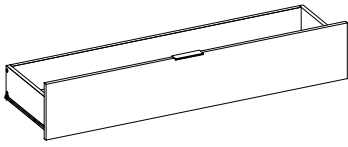


<b>ULM 12</b>  	<b>UPSALA 12</b>  
---	--

6

<b>N</b>	Ø3,5x16 mm	<b>W</b>	L-350mm		
	x8 3918		x2 kpl 3804		

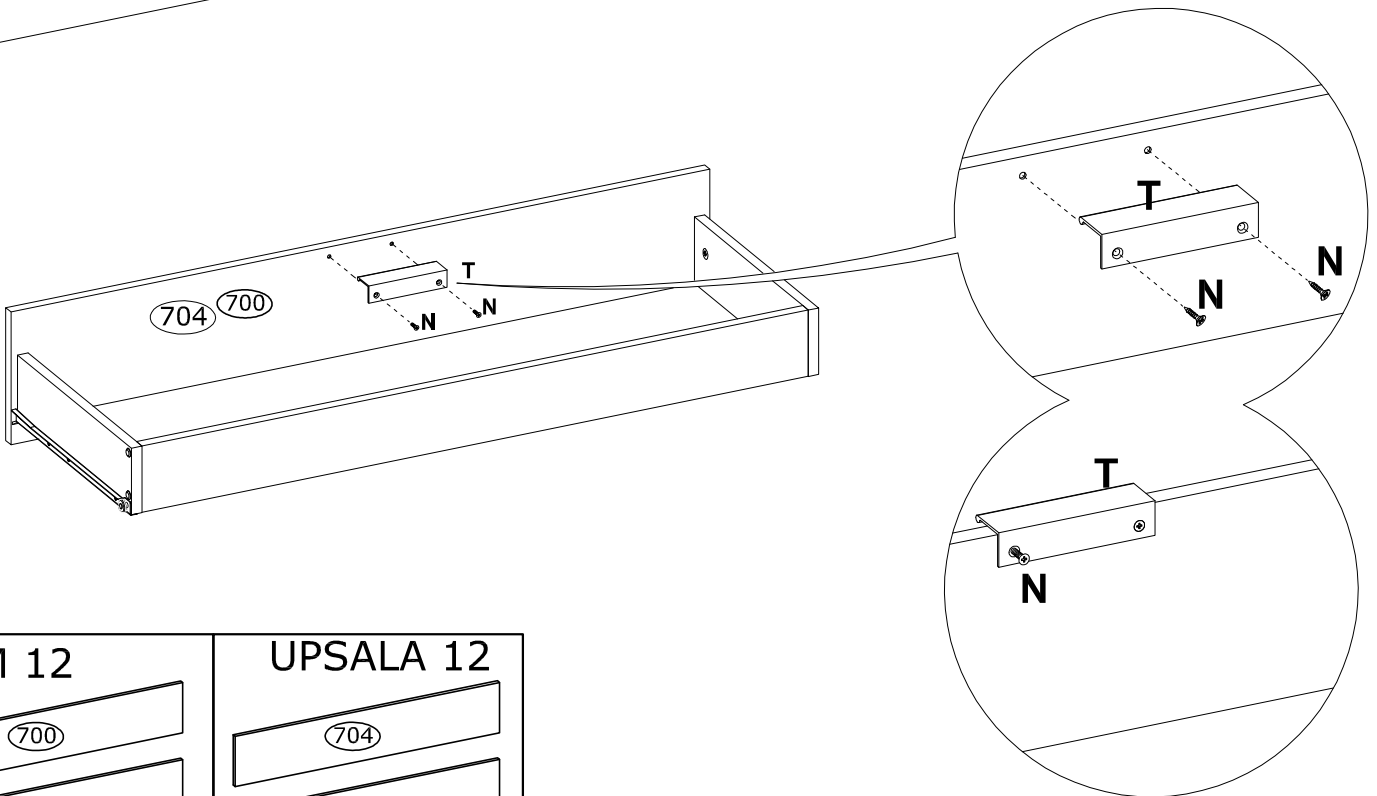
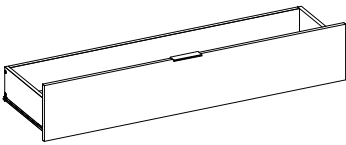
2x

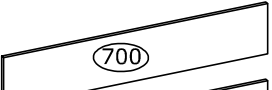





7

<b>N</b>	Ø3,5x16 mm	<b>T</b>	L-120 mm	
	x4 3918		x2 209928	

2x

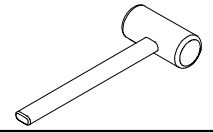


<b>ULM 12</b>	<b>UPSALA 12</b>
	
	

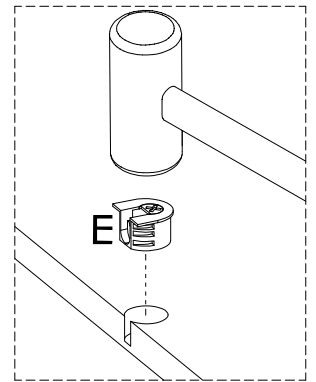
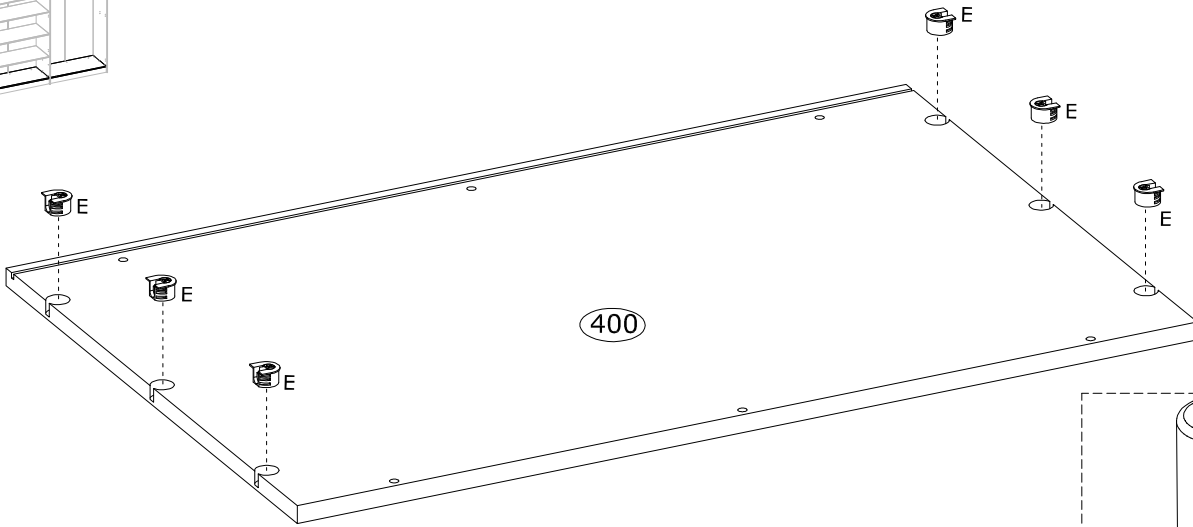


8

E 20x22x13.5 mm  
x12  
208625

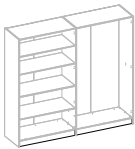
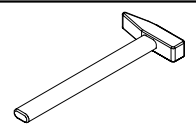


2x

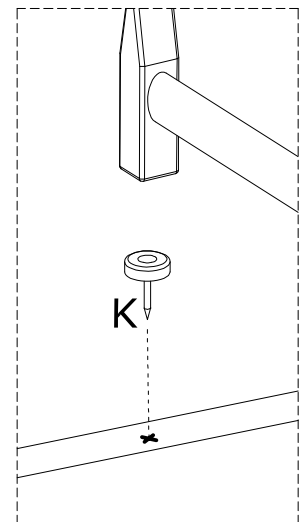
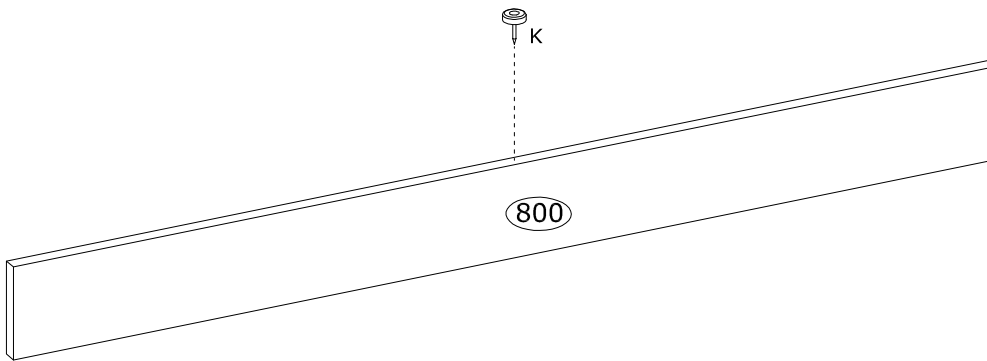


9



K  
x4  
70313



4x

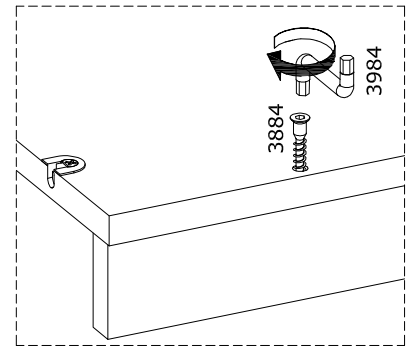
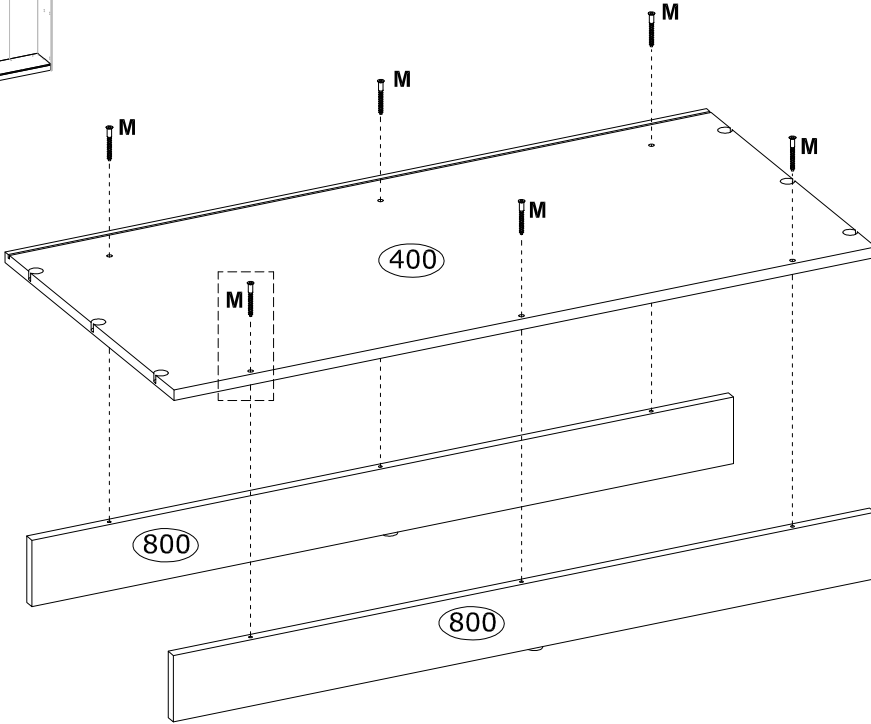


10

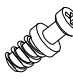



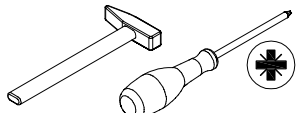
<b>M</b>	∅6,4x50mm  x12 3884	<b>L</b>	4 mm  x1 3984
----------	---	----------	---

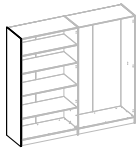


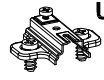

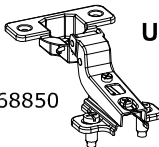
2x

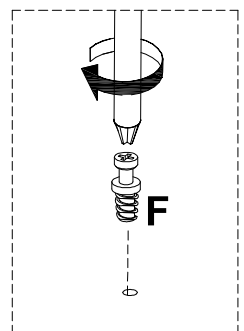
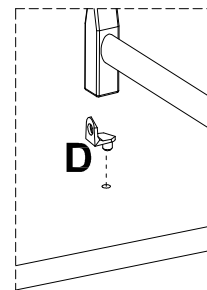
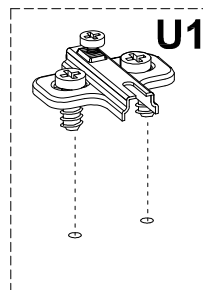
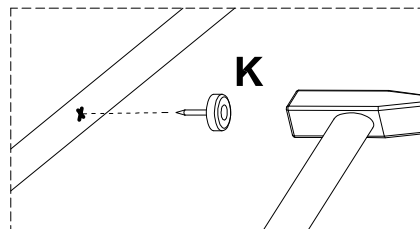
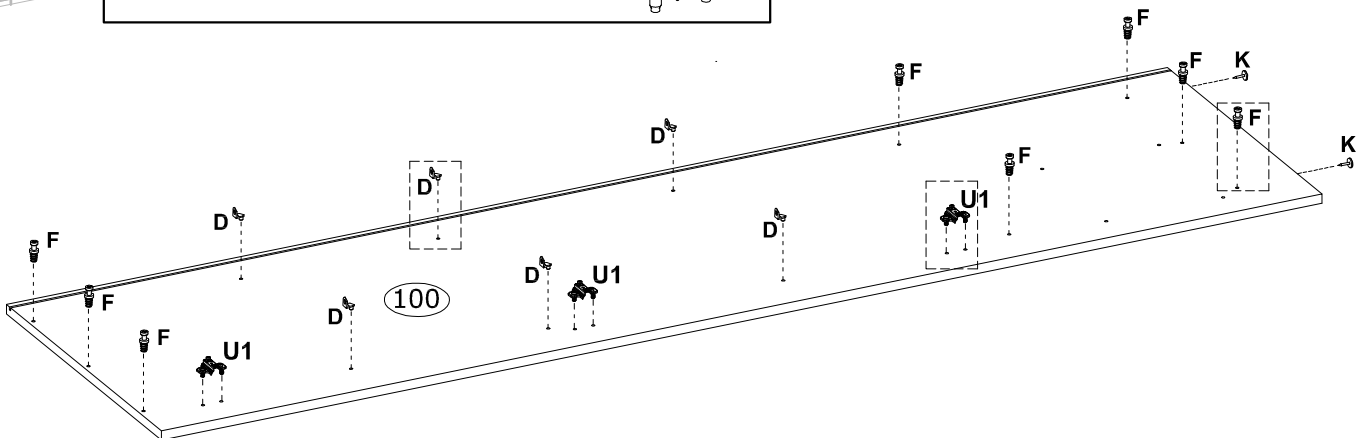


11

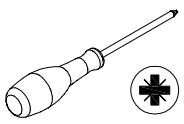
<b>F</b>	∅6,5x16 mm  x8 208665	<b>U</b>	∅35 mm , KR15  x3 68850	<b>K</b>	 x2 70313	<b>D</b>	 x6 184248	
----------	---	----------	---	----------	--	----------	--	---

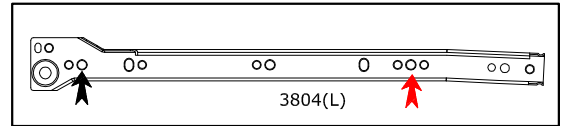
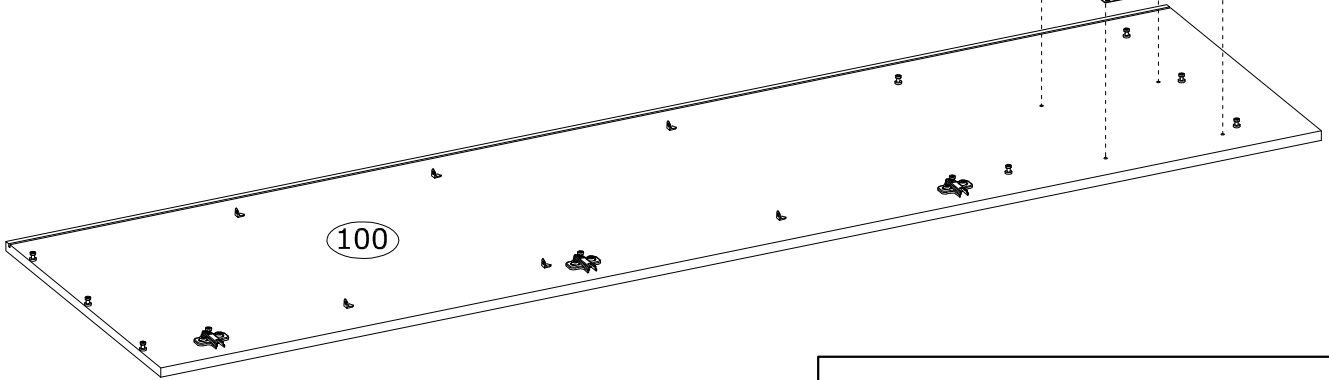
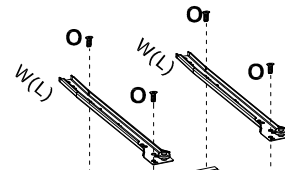
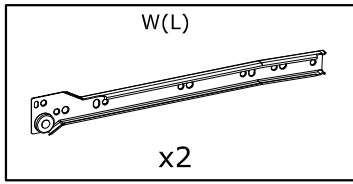
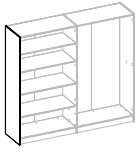


 <b>U1</b> 68850(1)	 <b>U2</b> 68850(2)	 <b>U</b> 68850
--	--	--


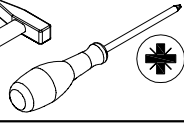


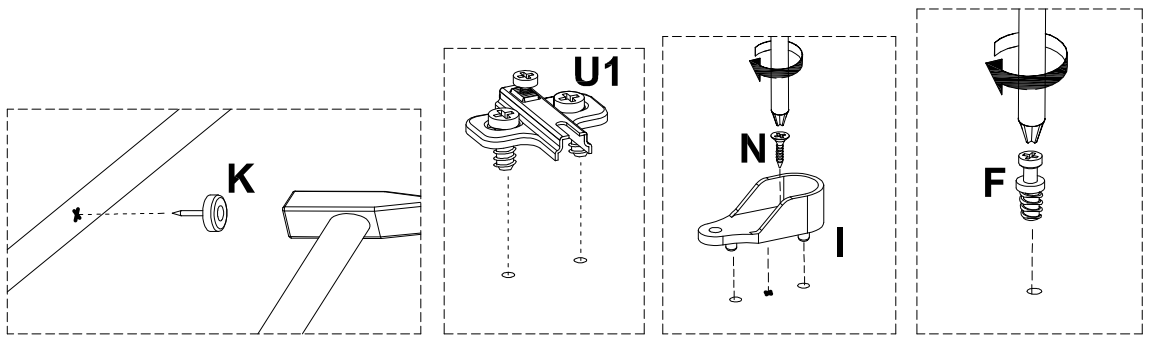
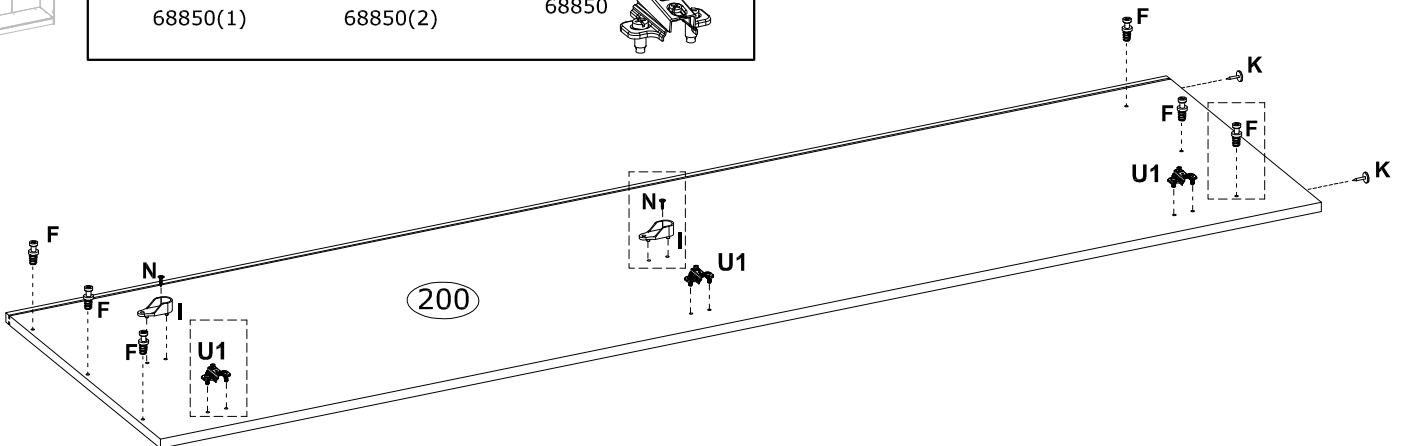
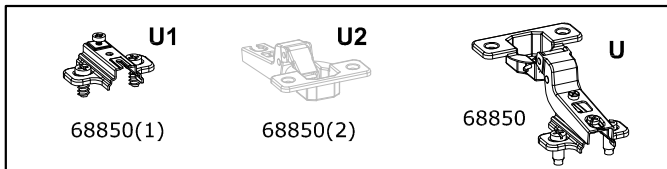
12

<b>W</b>	L-350mm x2 kpl 3804	<b>O</b>	Ø6,0x13 mm x4 3877	
----------	---------------------------	----------	--------------------------	--


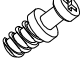

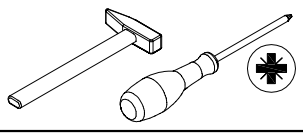


13

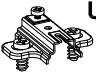

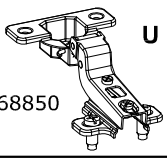
<b>F</b>	Ø6,5x16 mm x6 208665	<b>U</b>	Ø35 mm , KR15 x3 68850	<b>K</b>	 x2 70313	<b>I</b>	42x17x20 mm x4 4069	
<b>N</b>	Ø3,5x16 mm x2 3918							

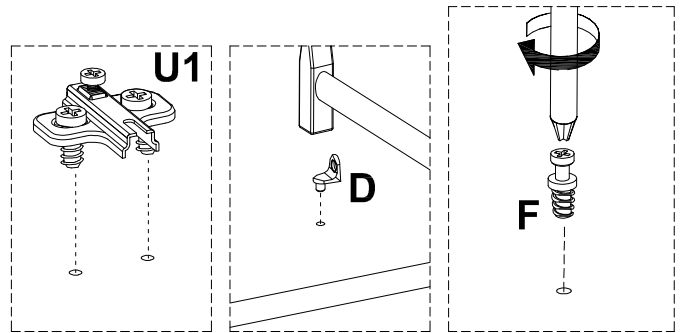
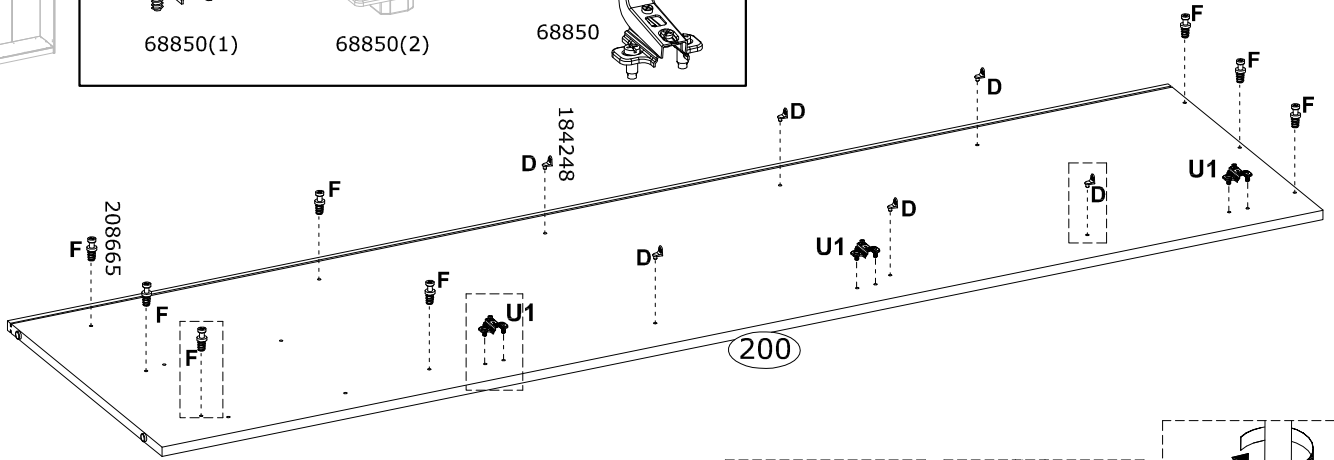


14

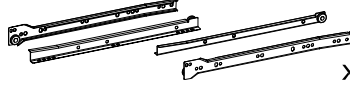

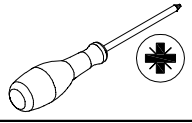
<p><b>U</b> Ø35 mm , KR15</p>  <p>x3 68850</p>	<p><b>F</b> Ø6,5x16 mm</p>  <p>x8 208665</p>	<p><b>D</b></p>  <p>x6 184248</p>	
---	---	--	--



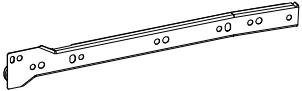
<p><b>U1</b></p>  <p>68850(1)</p>	<p><b>U2</b></p>  <p>68850(2)</p>	<p><b>U</b></p>  <p>68850</p>
--	--	--

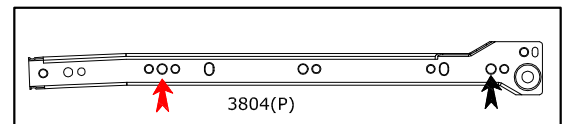
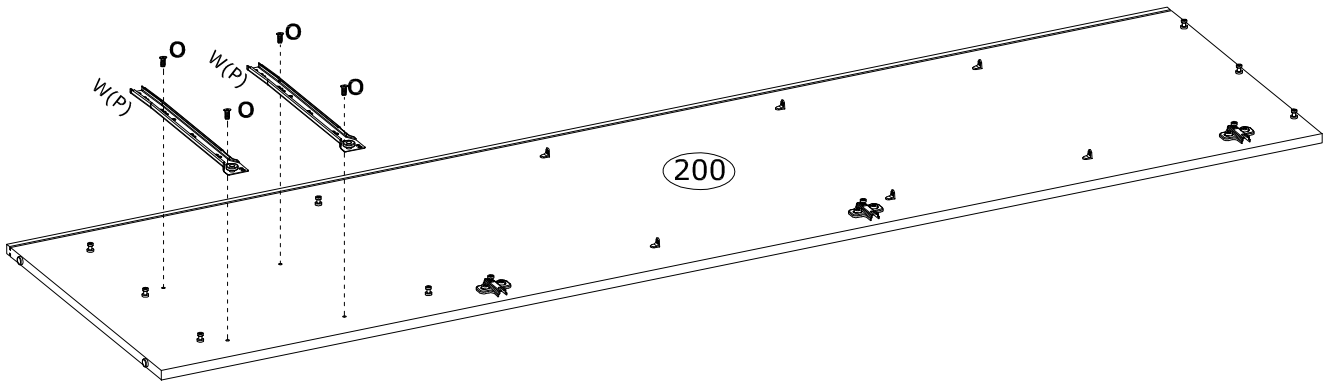


15

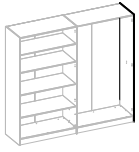
<p><b>W</b> L-350mm</p>  <p>x2 kpl 3804</p>	<p><b>O</b> Ø6,0x13 mm</p>  <p>x4 3877</p>	
--	---	---



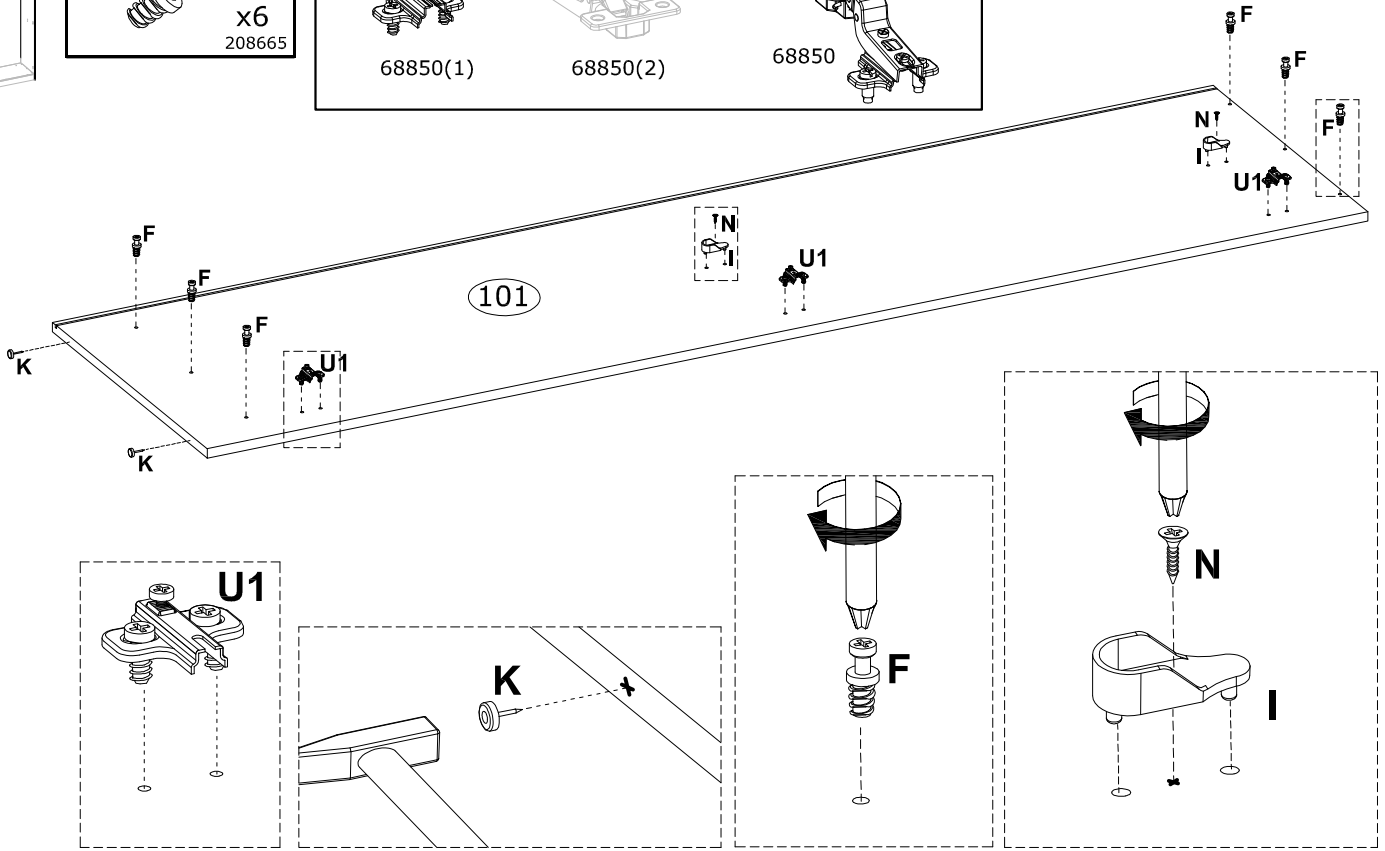
<p><b>W(P)</b></p>  <p>x2</p>
--



# 16



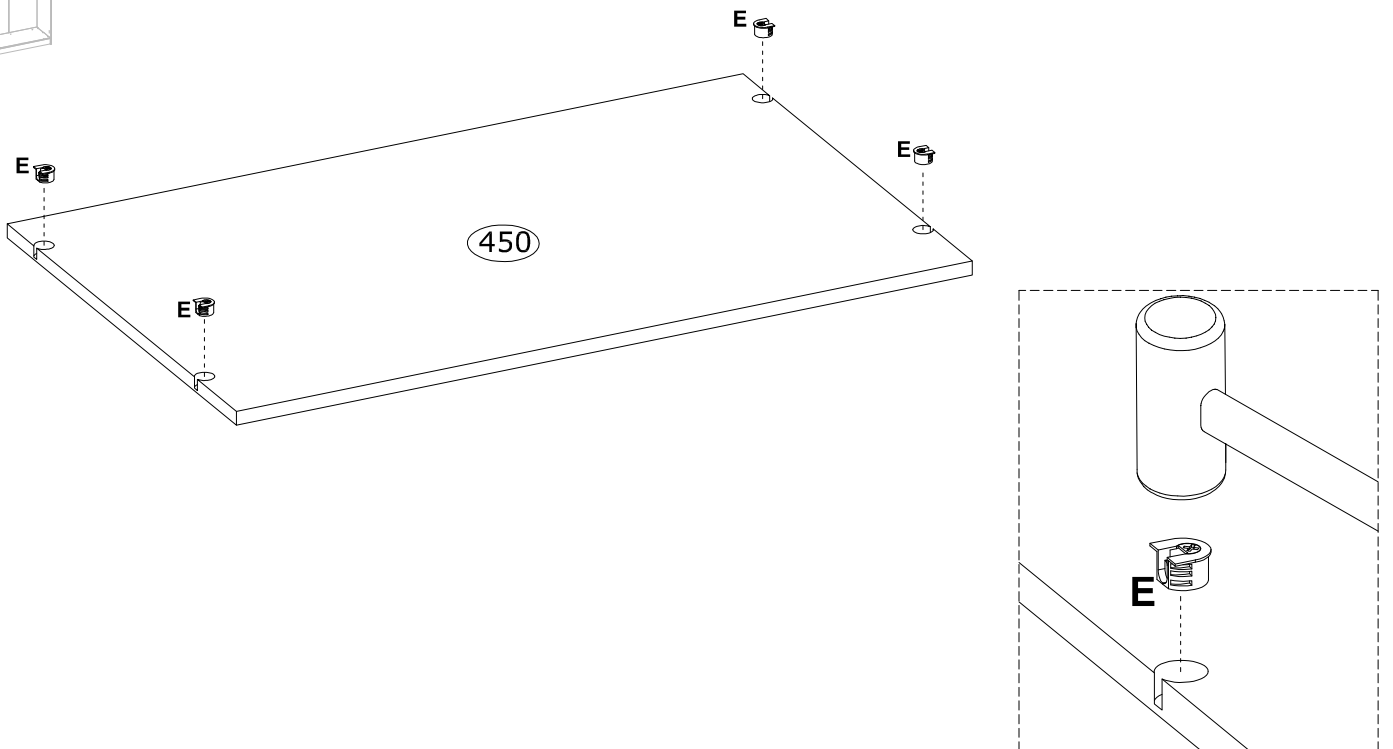
<b>K</b> x2 70313 	<b>U</b> Ø35 mm, KR15 x3 68850 	<b>N</b> Ø3,5x16 mm x2 3918 	<b>I</b> 42x17x20 mm x4 4069 		
<b>F</b> Ø6,5x16 mm x6 208665 	<b>U1</b> 68850(1) 			<b>U2</b> 68850(2) 	<b>U</b> 68850 



# 17

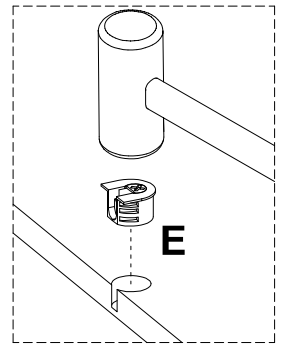
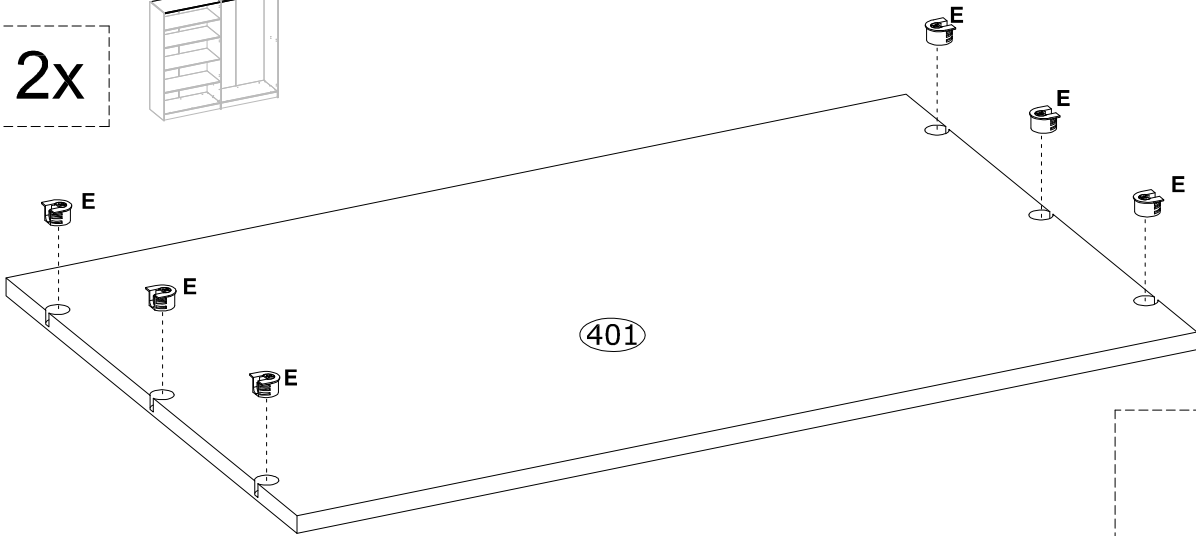
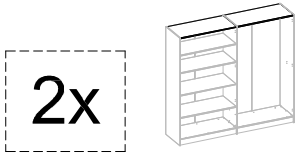
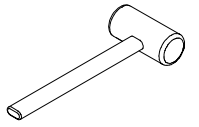


<b>E</b> 20x22x13.5 mm x4 208625 	
---	--

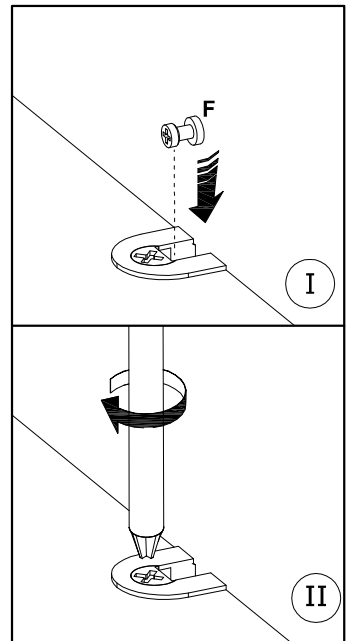
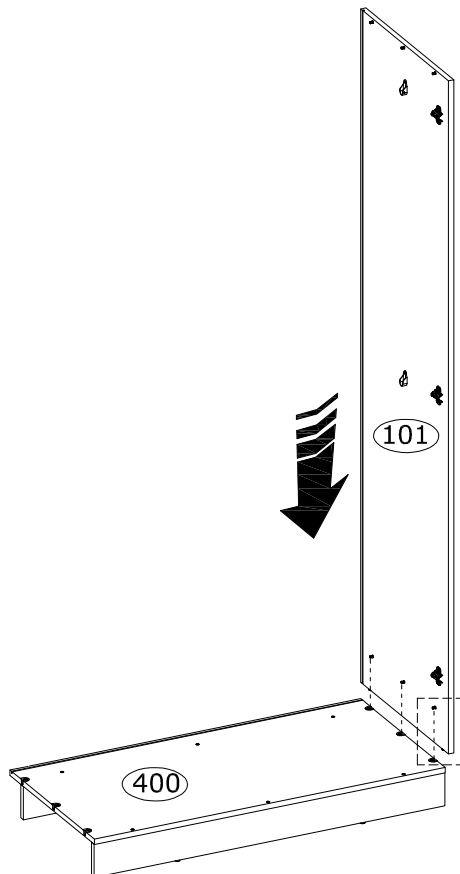
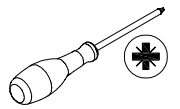


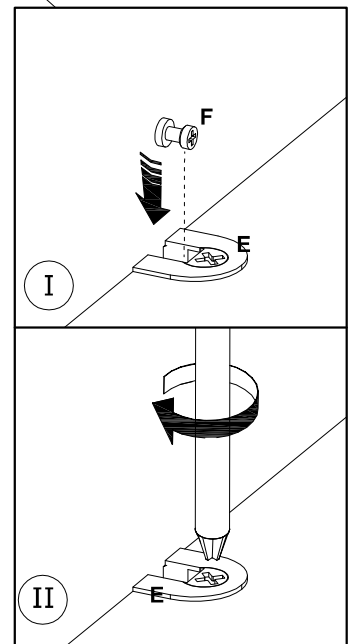
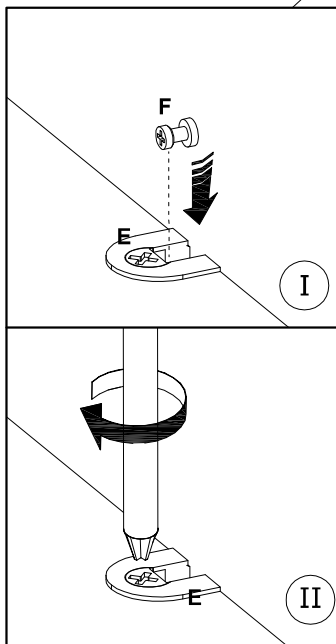
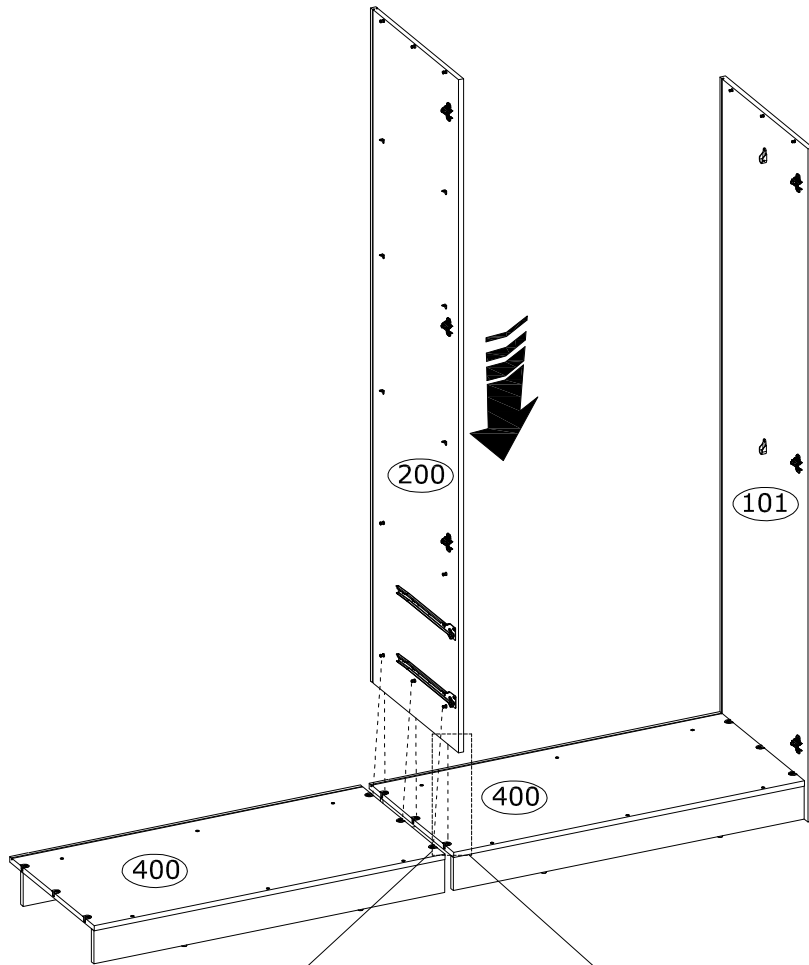
18

E  
20x22x13.5 mm  
x12  
208625

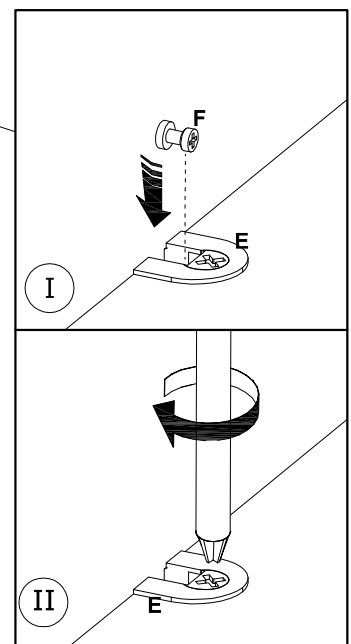
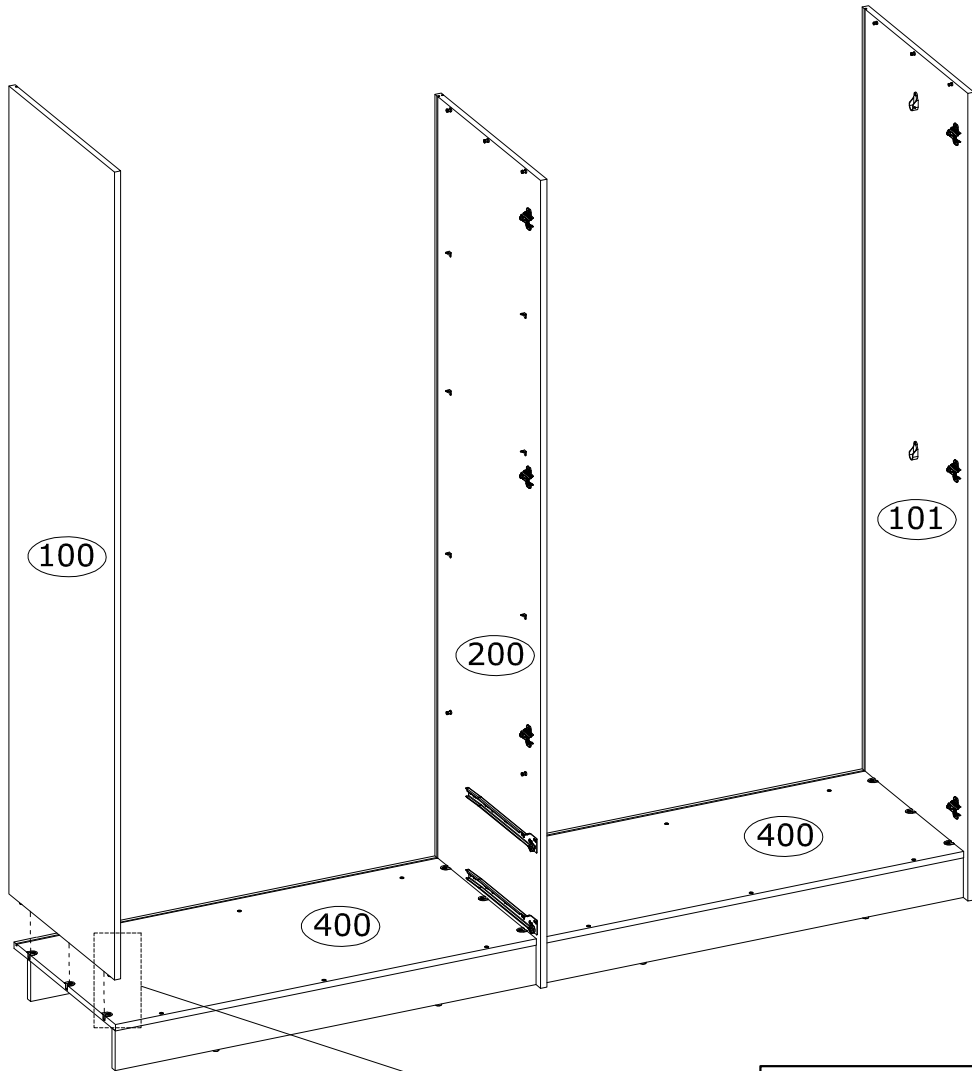
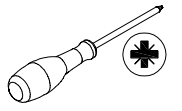


19



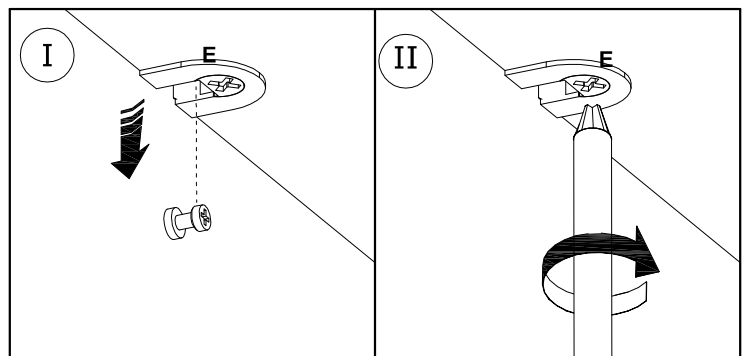
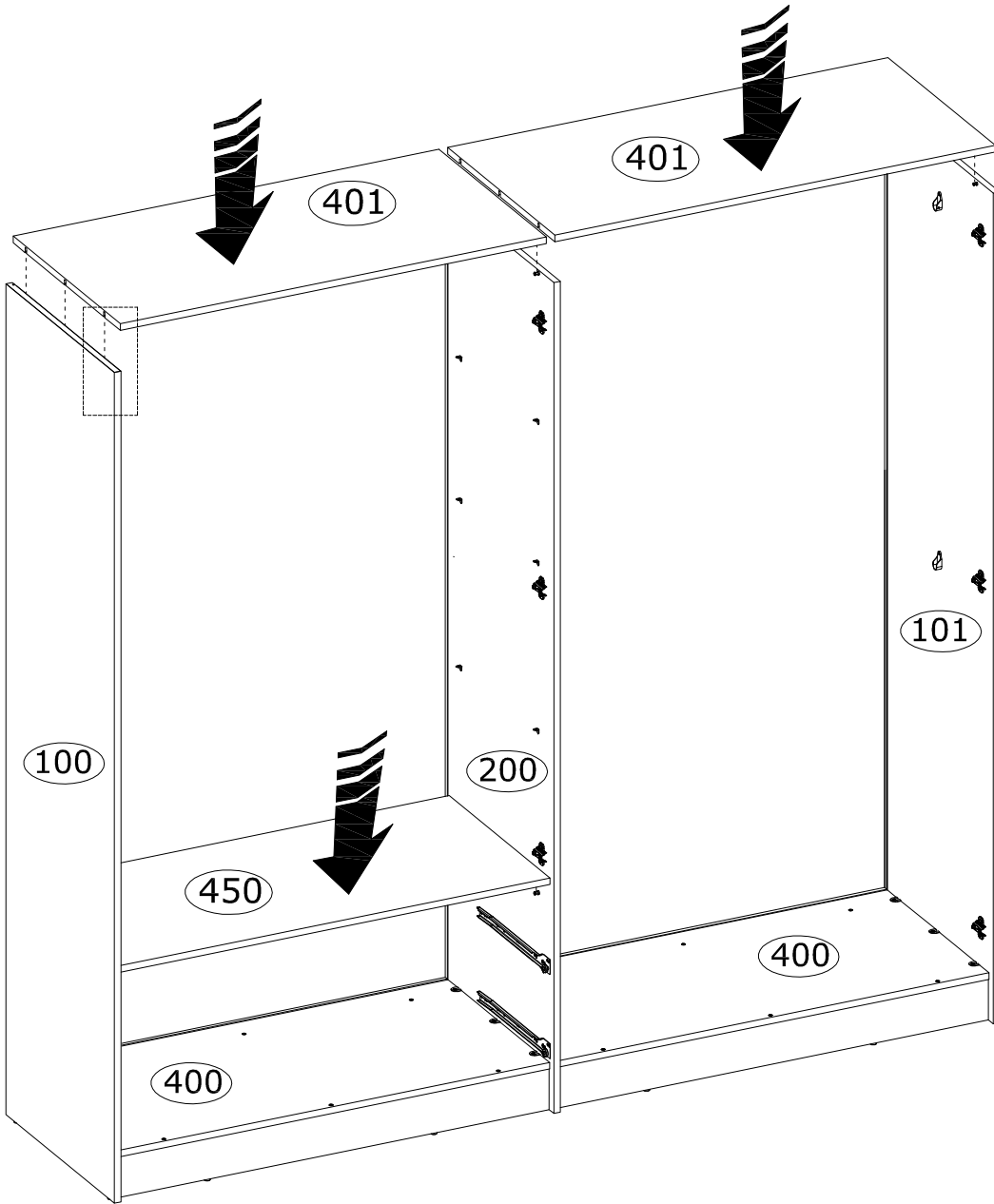
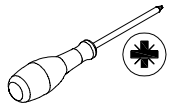


21



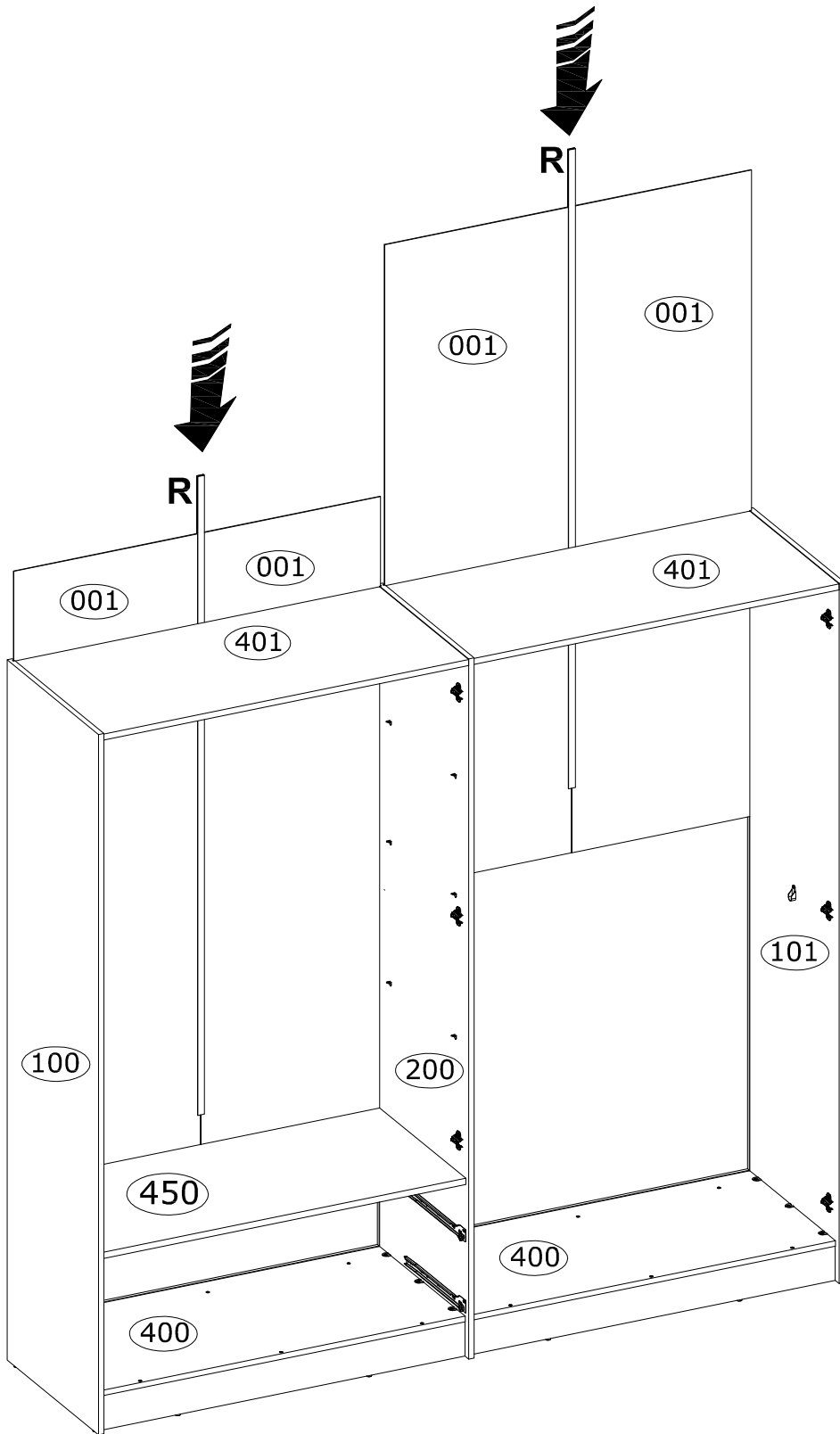


22

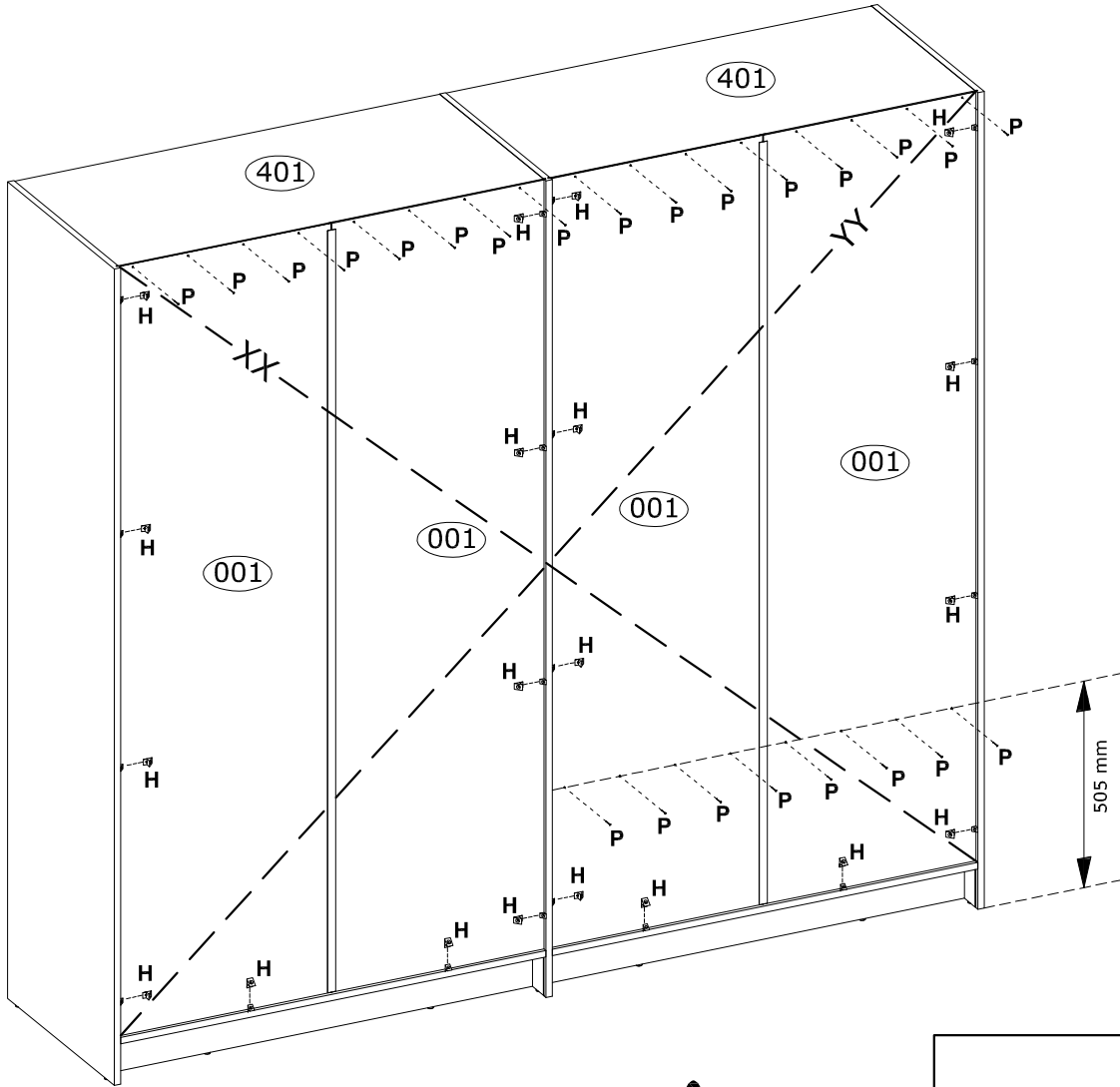


23

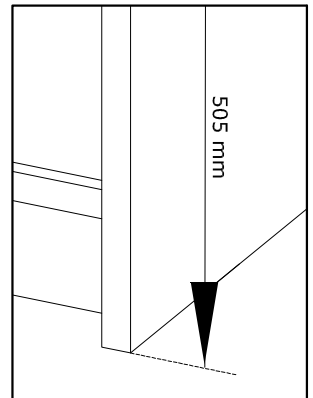
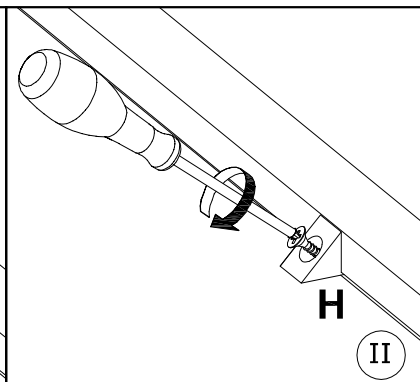
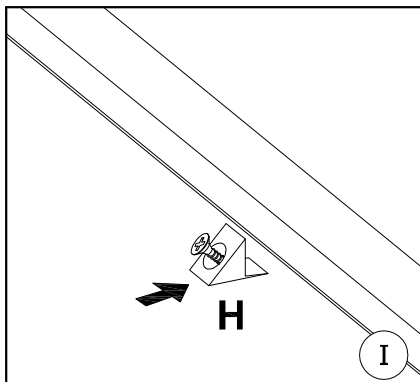
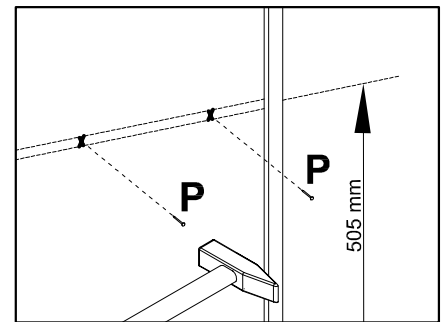
R L-1890 mm  
x2  
217025






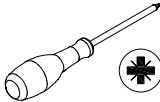
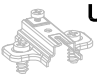

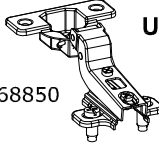
<p><b>H</b> 15x14x11 mm                    x20                  4044</p>	<p><b>P</b> 1.2x20 mm                    x24                  3975</p>	
---	---	--



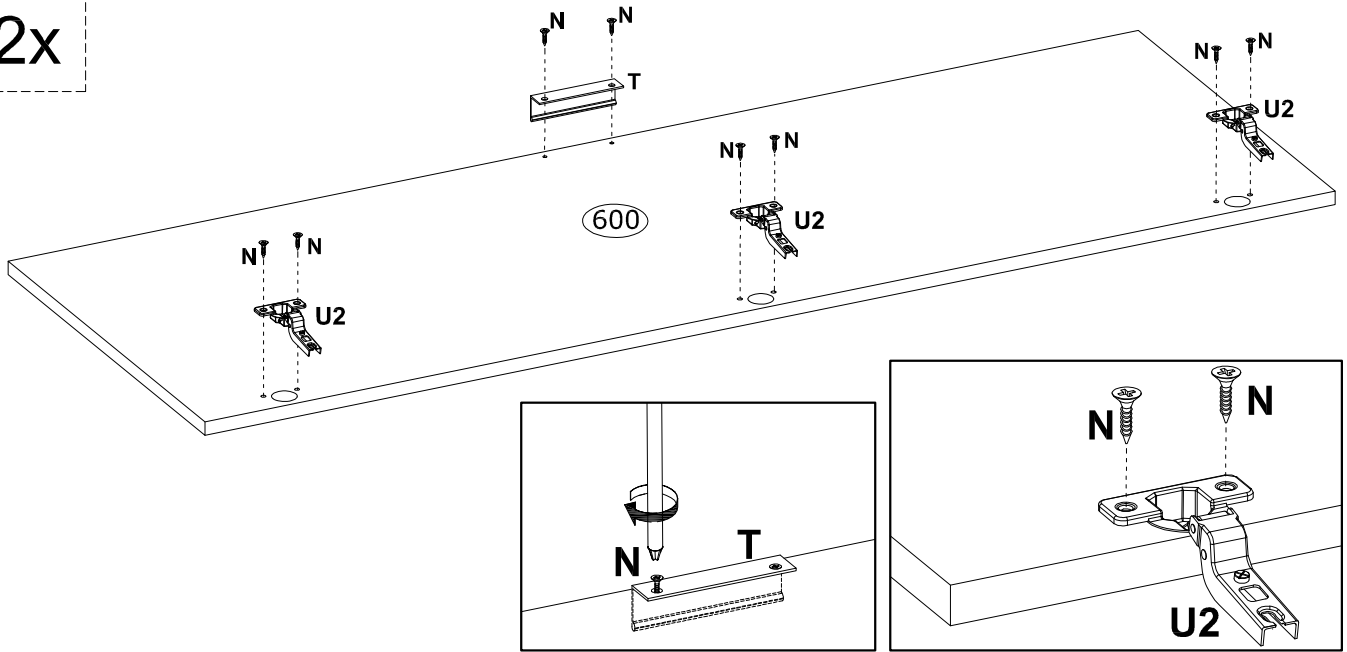
$XX = YY \cong 90^\circ$






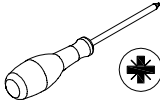
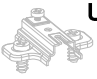

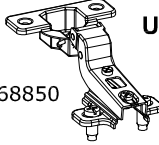
25

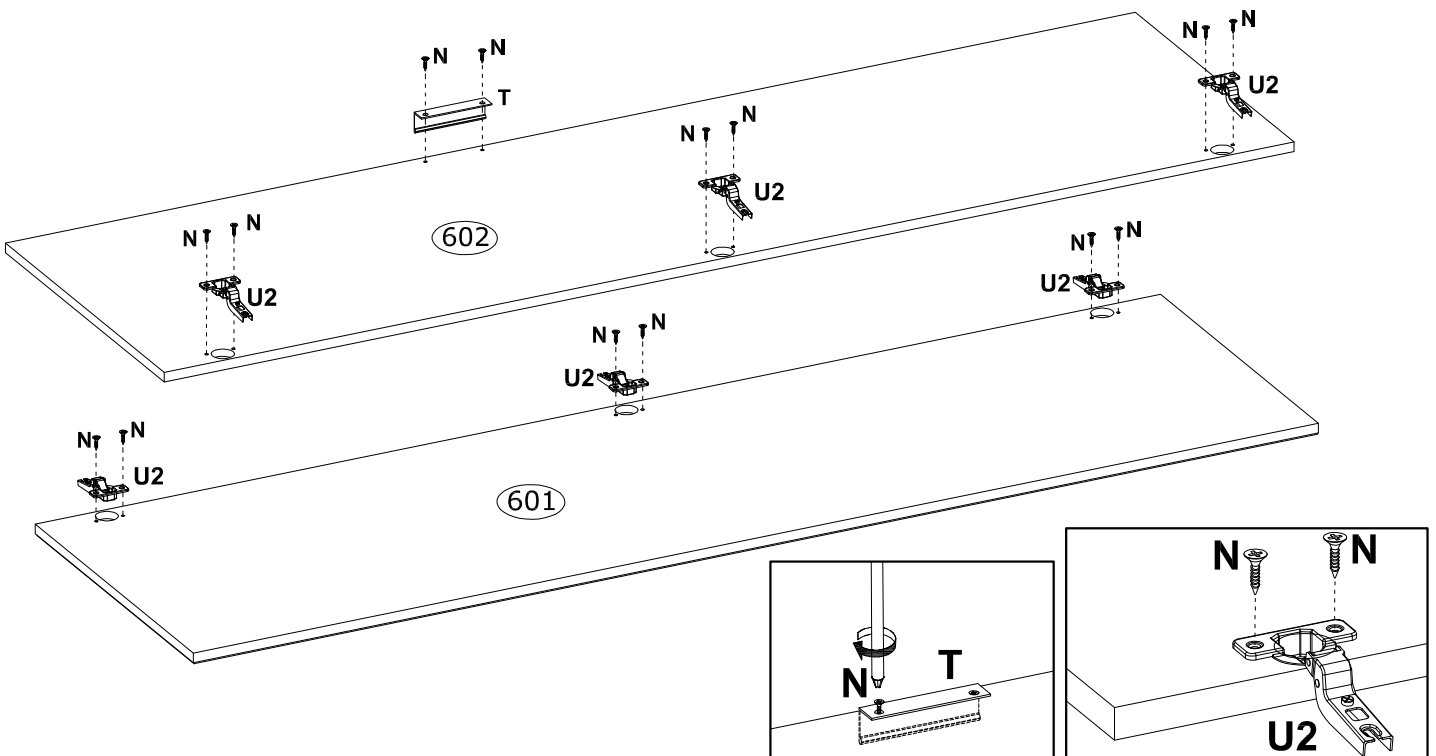
<b>T</b> L-120 mm  x1 209928	<b>U</b> Ø35 mm , KR15  x6 68850	<b>N</b> Ø3,5x16 mm  x14 3918	
<b>U1</b>  68850(1)	<b>U2</b>  68850(2)	<b>U</b>  68850	

2x





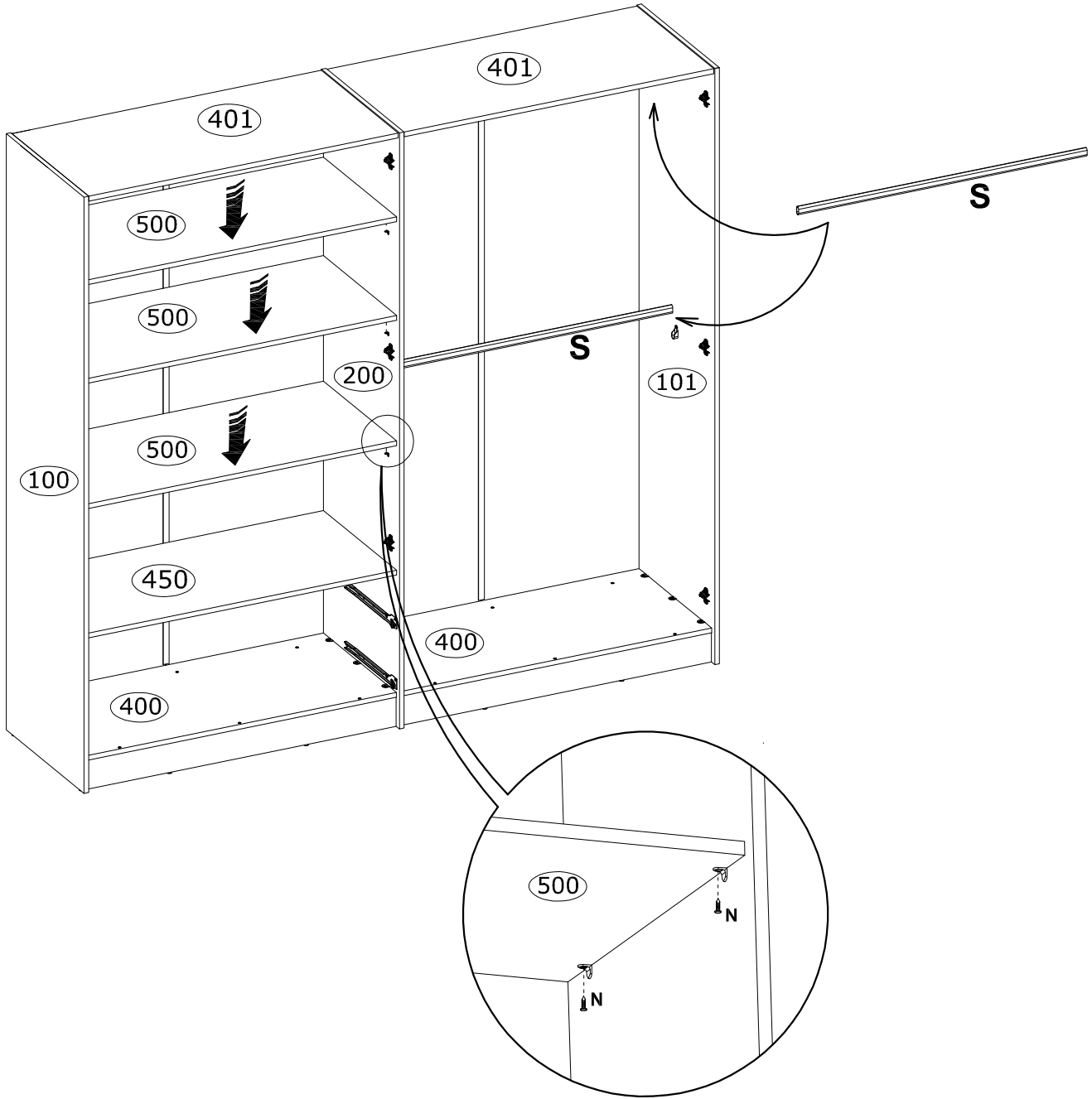
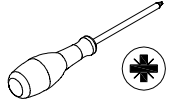
26

<b>T</b> L-120 mm  x1 209928	<b>U</b> Ø35 mm , KR15  x6 68850	<b>N</b> Ø3,5x16 mm  x14 3918	
<b>U1</b>  68850(1)	<b>U2</b>  68850(2)	<b>U</b>  68850	

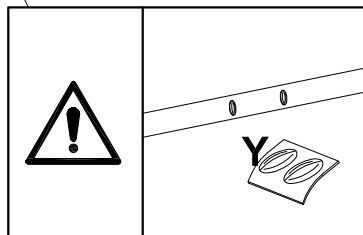
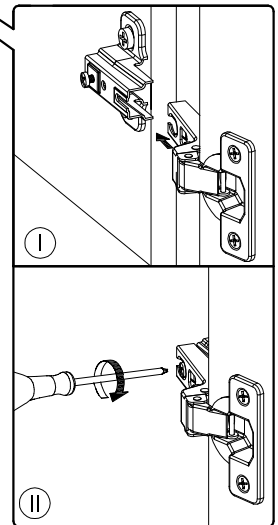
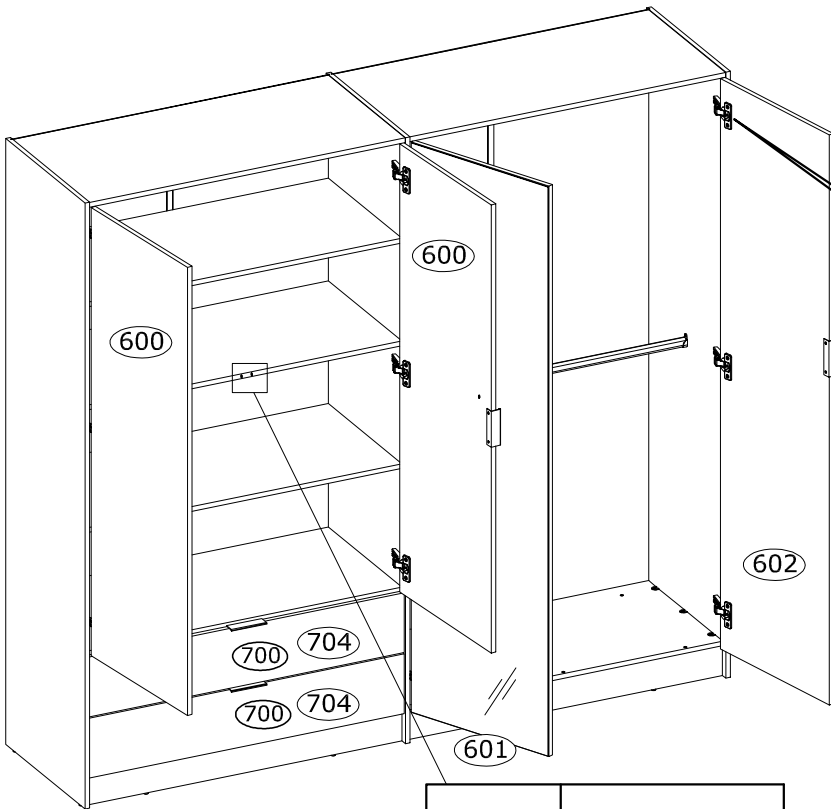
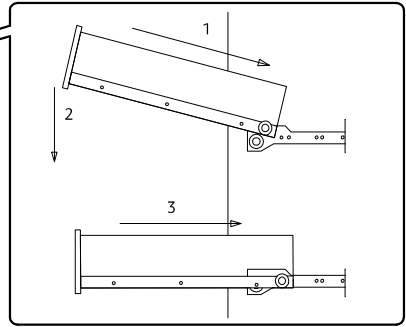
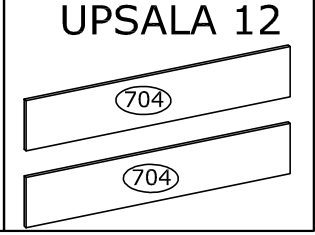
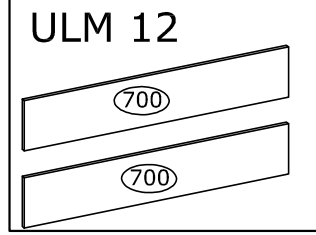
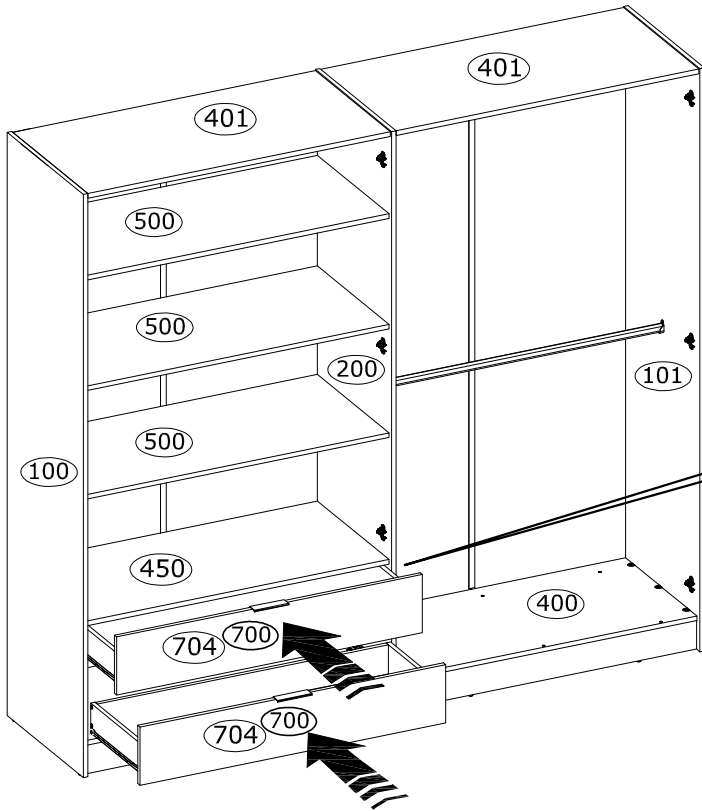
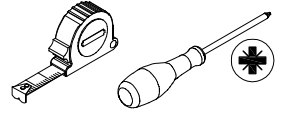




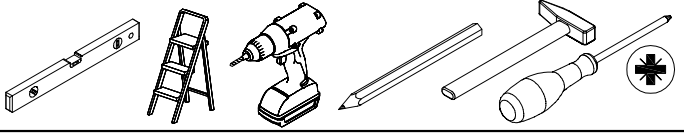
27

<b>N</b>	Ø3,5x16 mm	<b>S</b>	L-1068 mm
	x12 3918		x2 72529



Y  
Ø8x2 mm  
x2  
75516



<p><b>N</b> Ø3,5x16 mm    <b>x4</b>          3918</p>	<p><b>J</b> 75x15x32 mm    <b>x2</b>          71900</p>			
--	--	---	--	--

