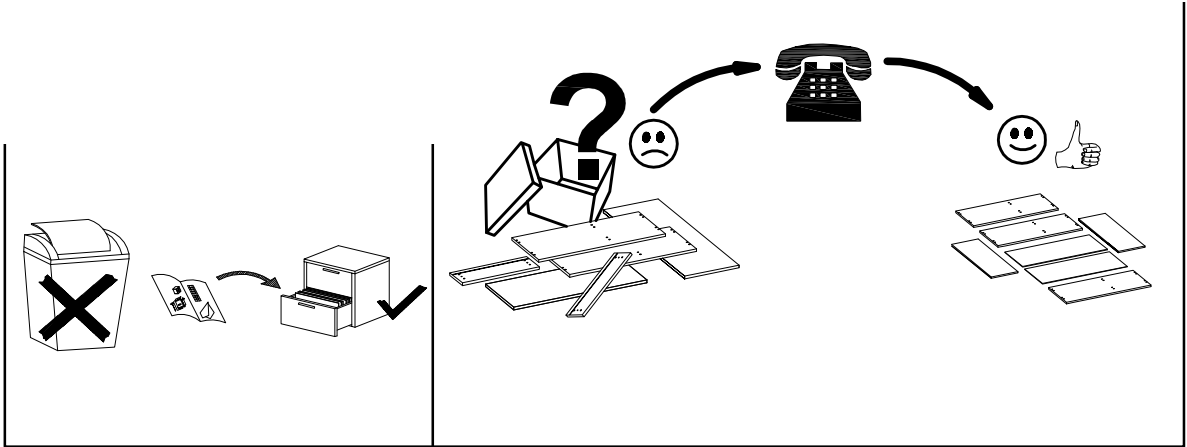
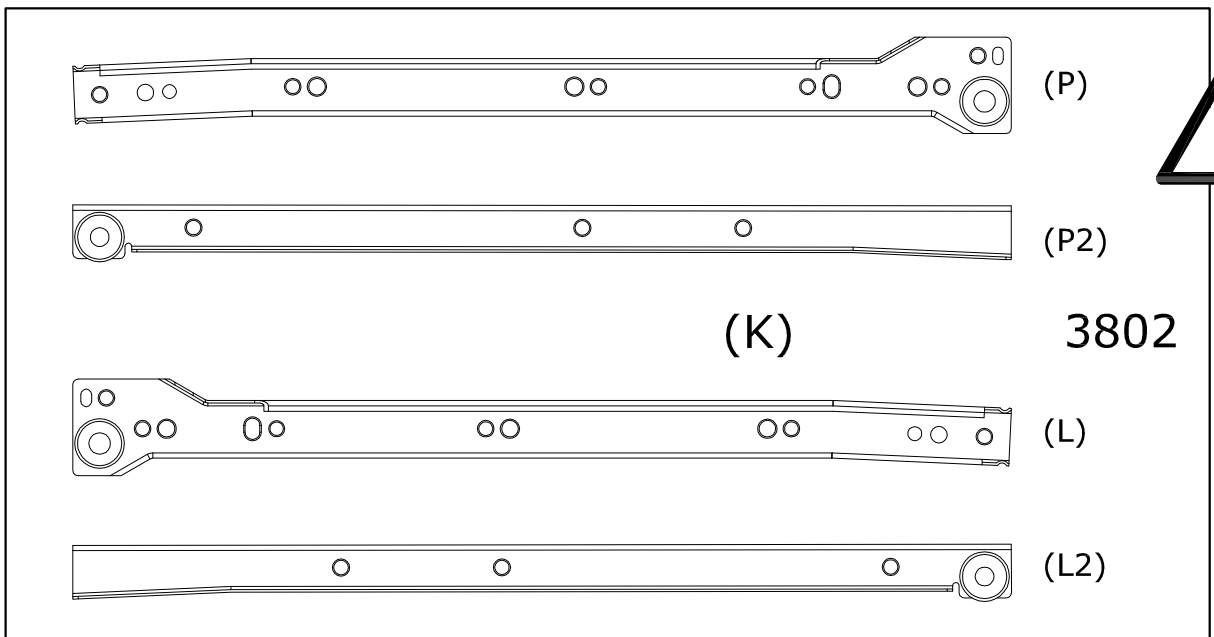
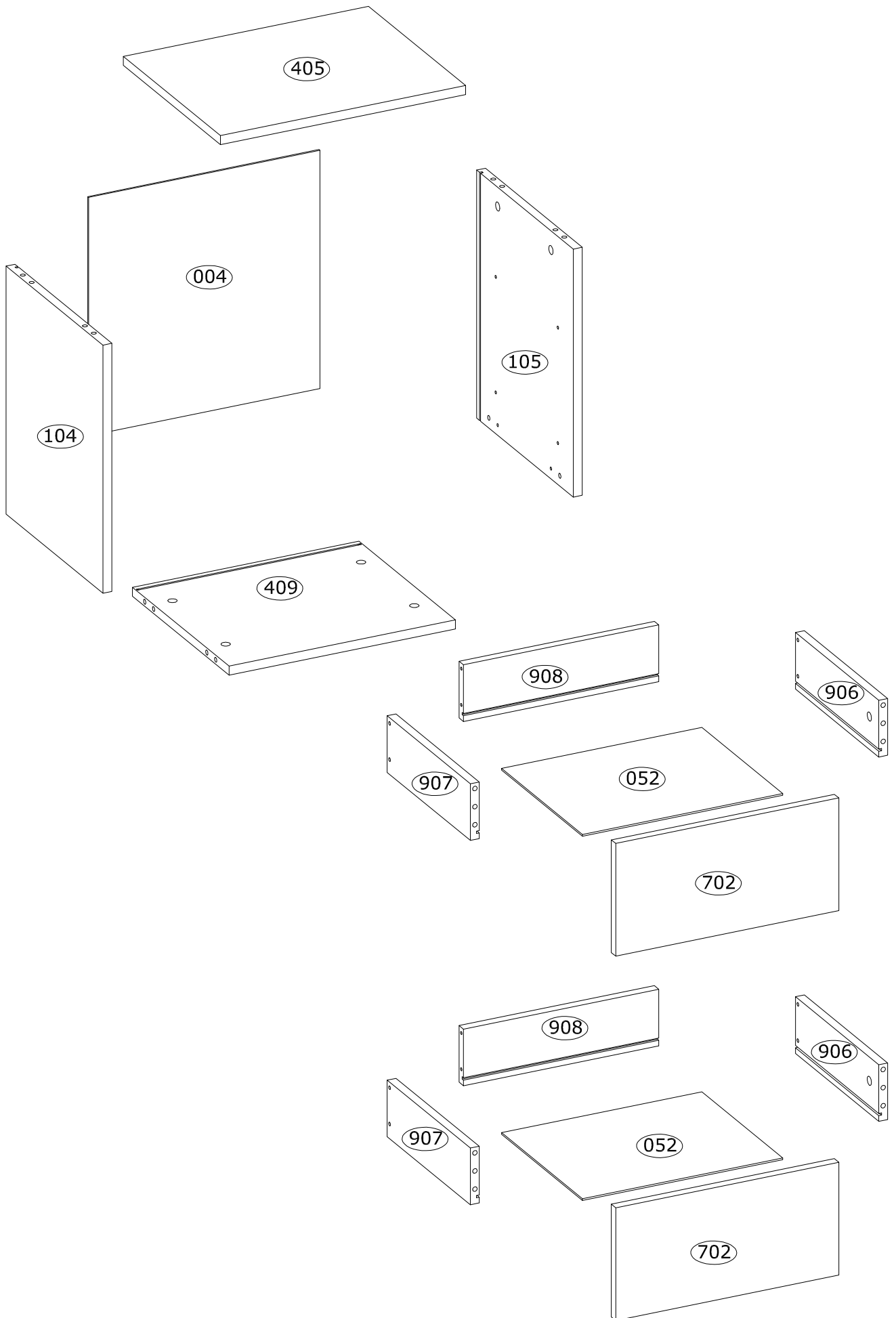


0
10
20
30
40
50
60
70
80
90
100
110
120
130
140
150
160
170
180
190
200



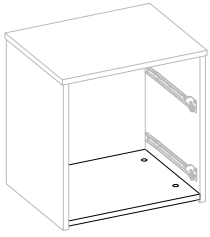
A $\varnothing 8 \times 30$ mm x32 3989	B $\varnothing 6,5 \times 36,5$ mm x24 4066	C $\varnothing 15 \times 12$ mm x24 3996	D $\varnothing 20$ mm x8 136239	E $\varnothing 3,5 \times 16$ mm x24 3918
F $6,0 \times 13$ mm x16 3877	G $\varnothing 12 \times 42$ mm x16 IN01157	H x8 70313	I $15 \times 14 \times 11$ mm x8 4044	J 27×34 L-120mm x4 209928
K $L - 300$ mm x4 3802				



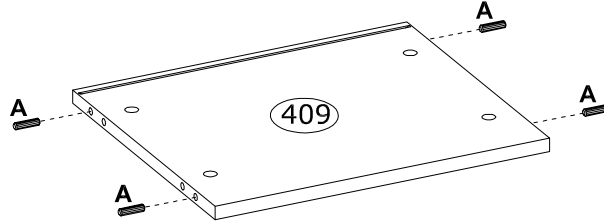


1

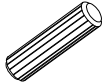
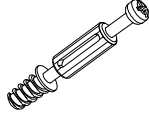

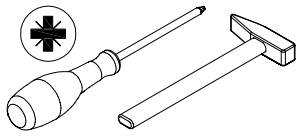
A	Ø8x30 mm		x8 3989	
----------	----------	---	------------	--

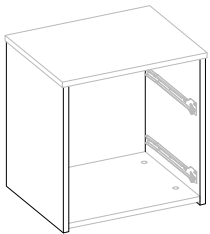


x2

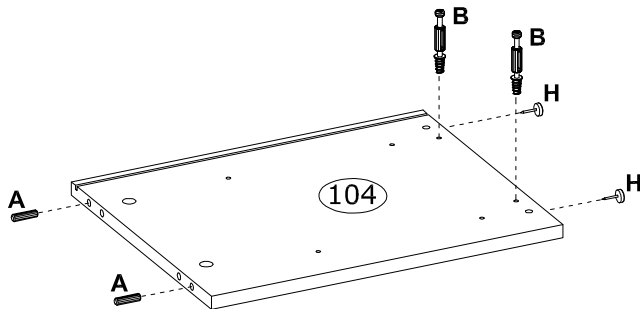
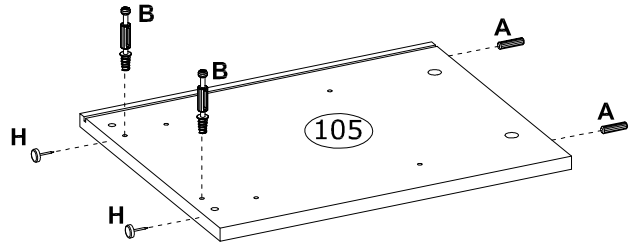


2

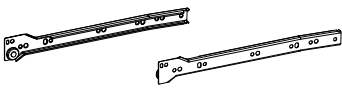


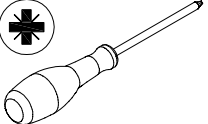
A	Ø8x30 mm	B	Ø6,5x36,5 mm	H		x8 3989		x8 4066		x8 70313	
----------	----------	----------	--------------	----------	--	------------	--	------------	--	-------------	--

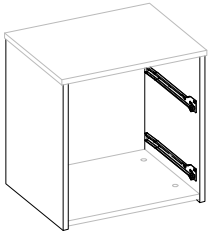


x2

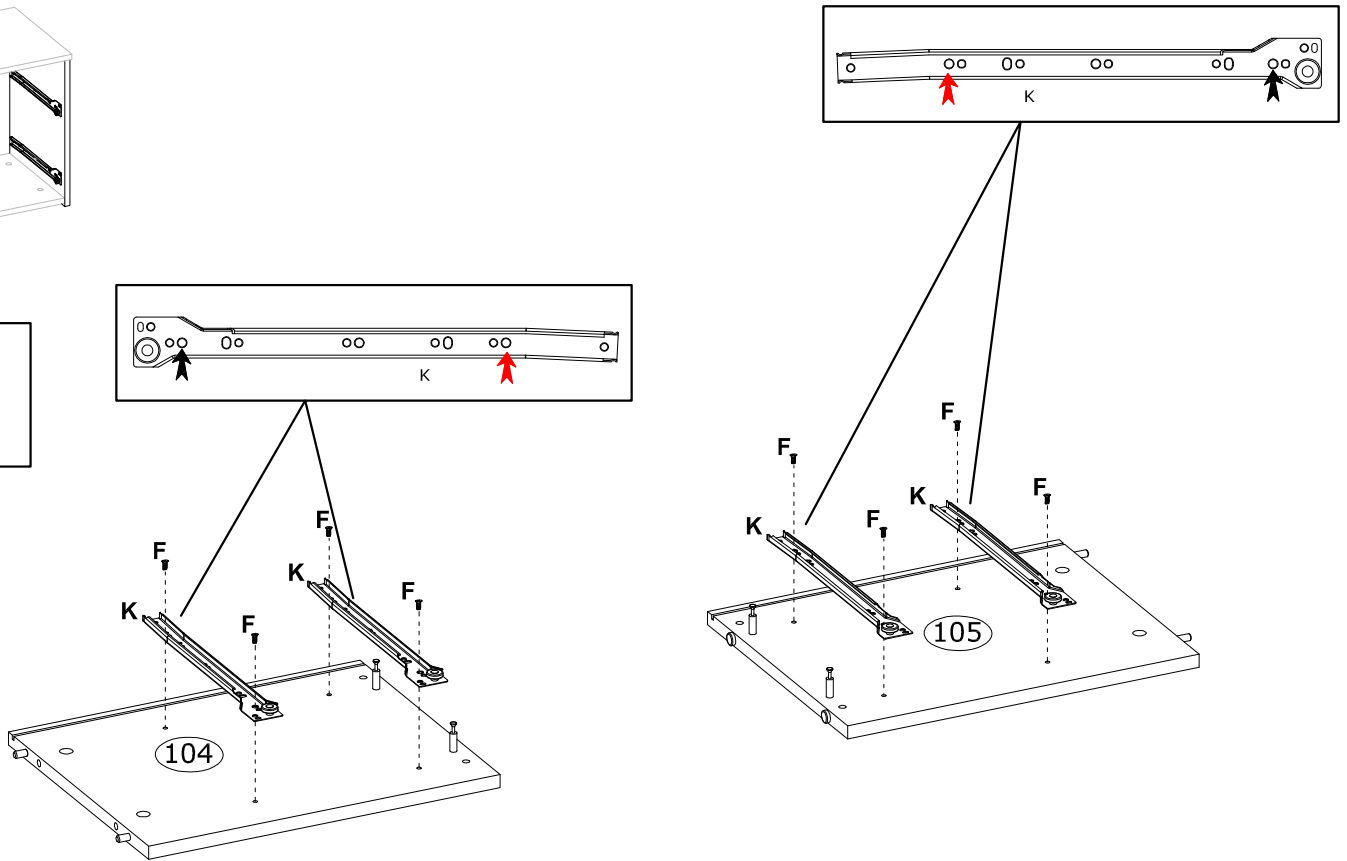


3

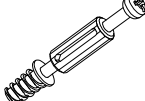

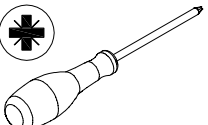
K L- 300 mm  x4 3802	F 6,0x13 mm  x16 3877	 
--	---	--

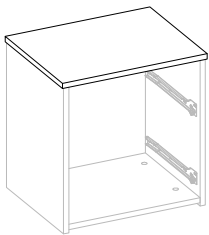


x2

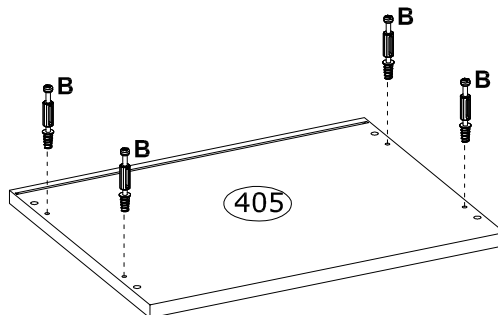


4

B Ø6,5x36,5 mm  x8 4066	 
---	--

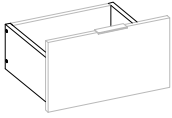
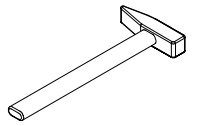


x2

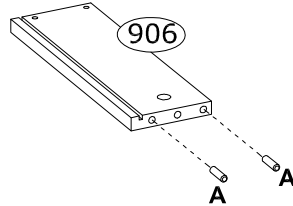
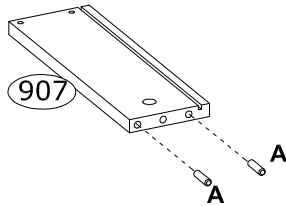


5

A
Ø8x30 mm
x16
3989

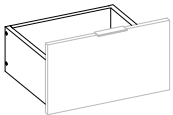
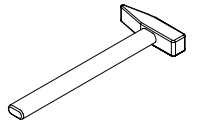


x4

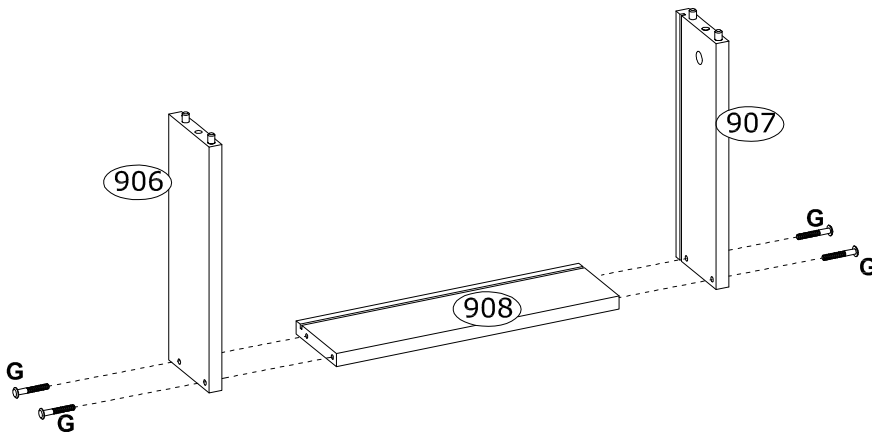


6

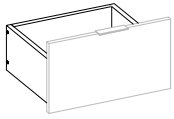
G
Ø12x42 mm
x16
IN01157



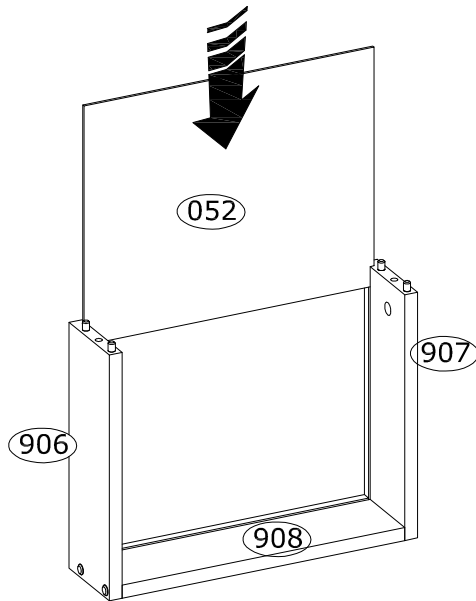
x4



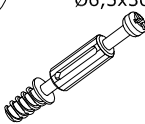
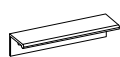


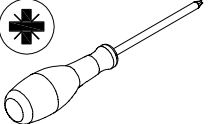
7

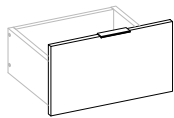


x4

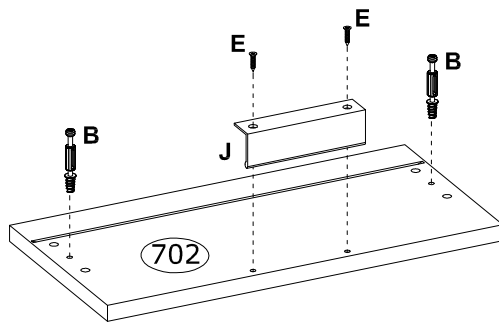


8


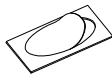
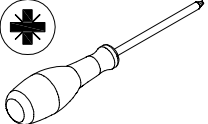
B Ø6,5x36,5 mm  x8 4066	J 27X34 L-120mm  x4 209928	E Ø3,5x16 mm  x8 3918	 
--	---	--	---

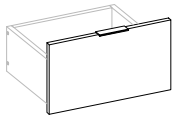


x4

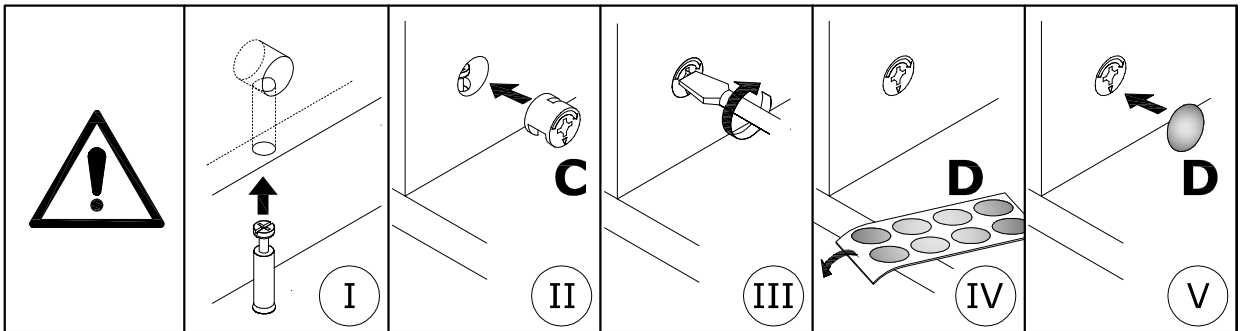
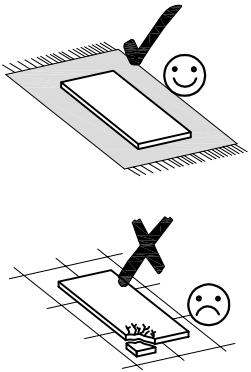
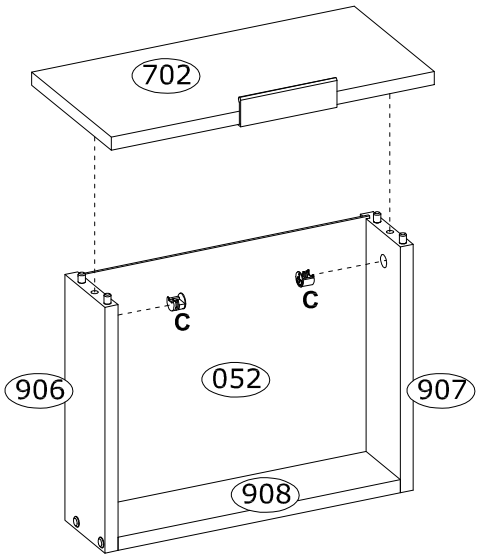


9


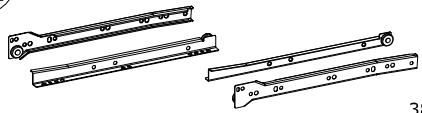
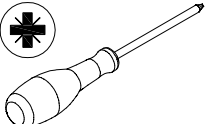
<p>C $\varnothing 15 \times 12$ mm</p>  <p>x8 3996</p>	<p>D $\varnothing 20$ mm</p>  <p>x8 136239</p>	
---	---	--



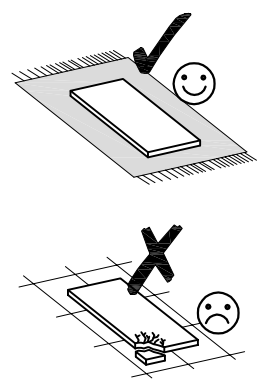
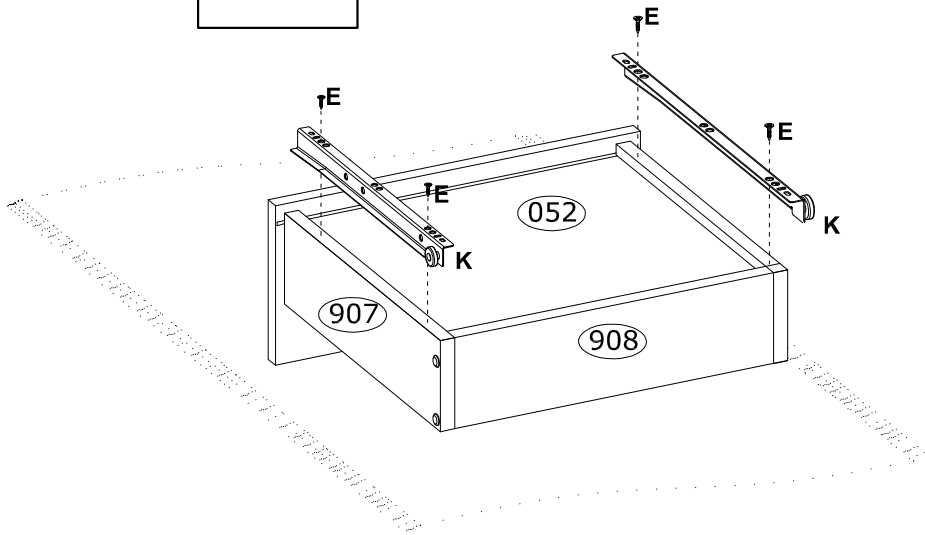
x4



10

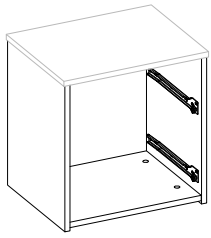
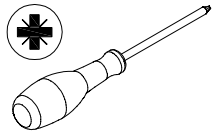
<p>E $\varnothing 3,5 \times 16$ mm</p>  <p>x16 3918</p>	<p>K L- 300 mm</p>  <p>x4 3802</p>	
---	--	---

x4

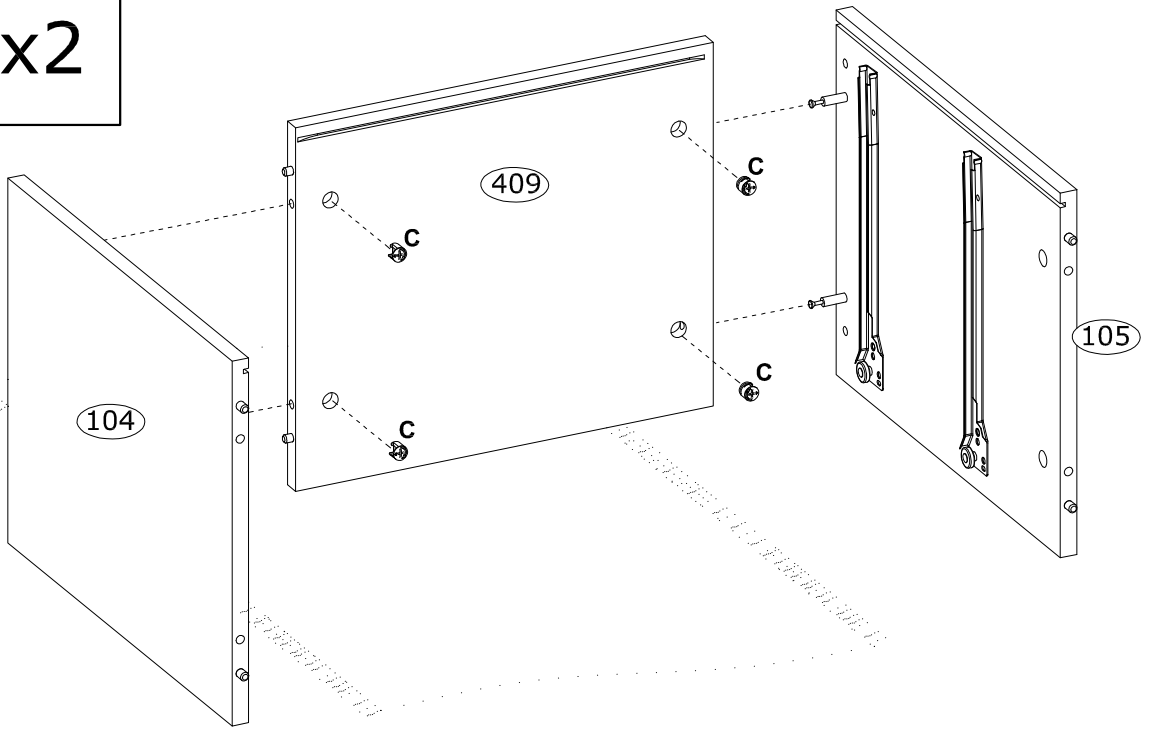
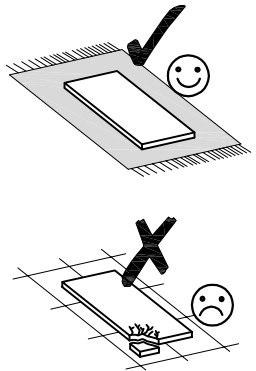


11

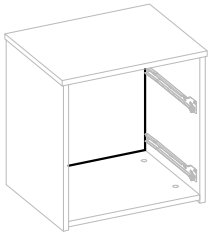
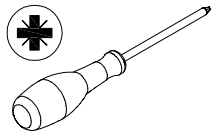
C
Ø15x12 mm
x8
3996



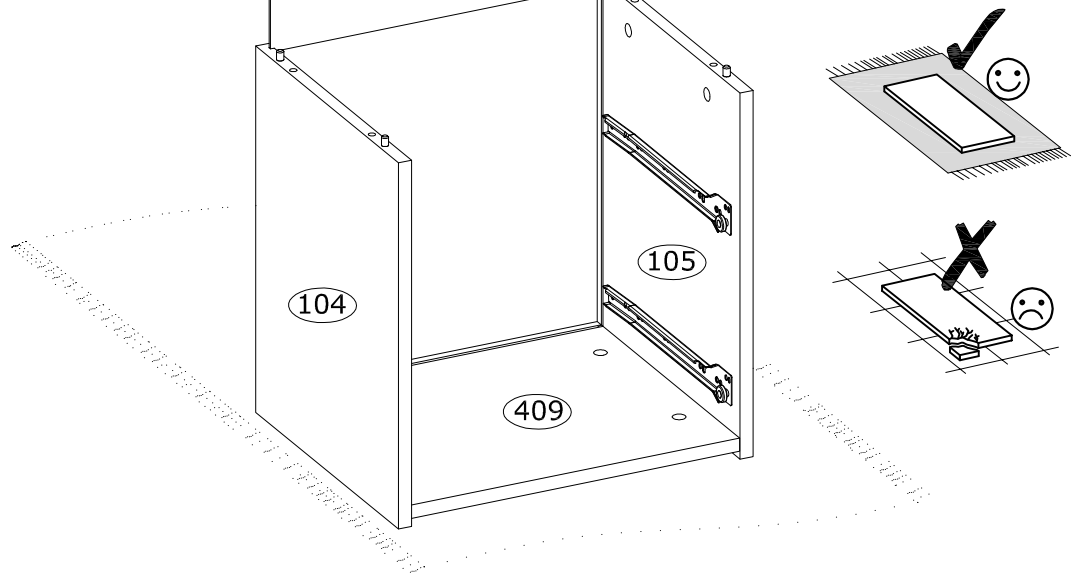
x2



12

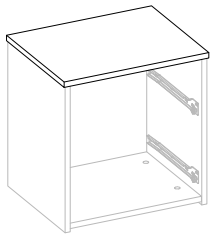
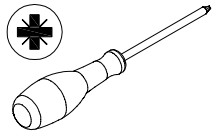


x2

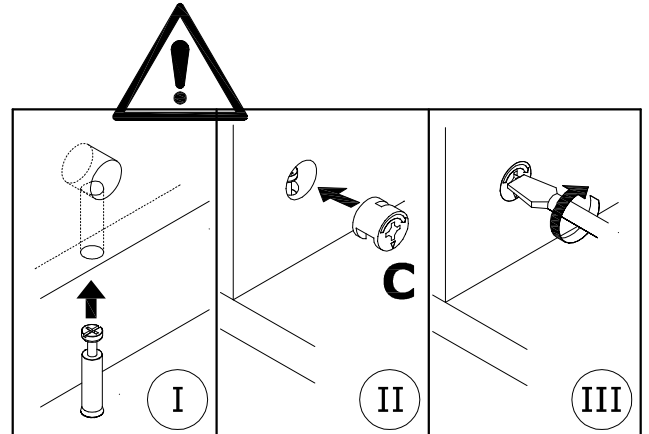
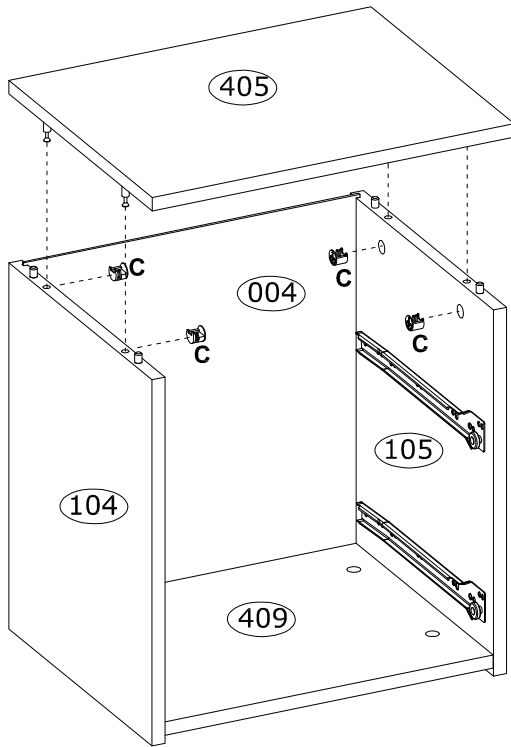


13

C
Ø15x12 mm
x8
3996

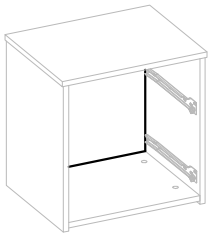
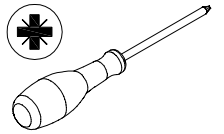


x2

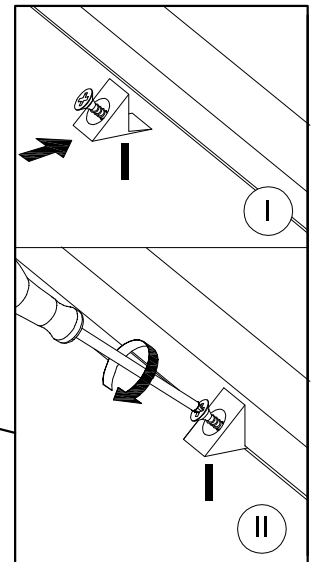
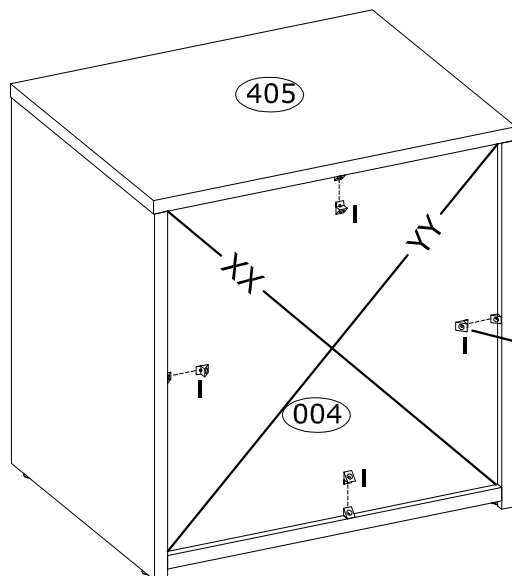



14

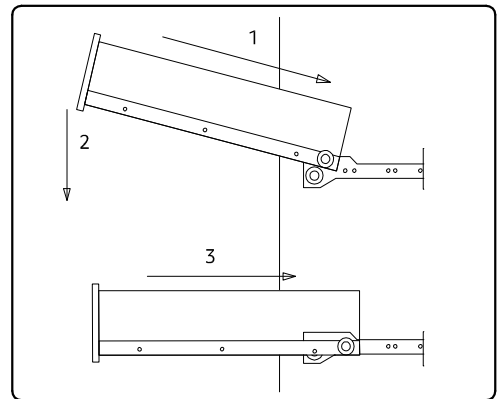
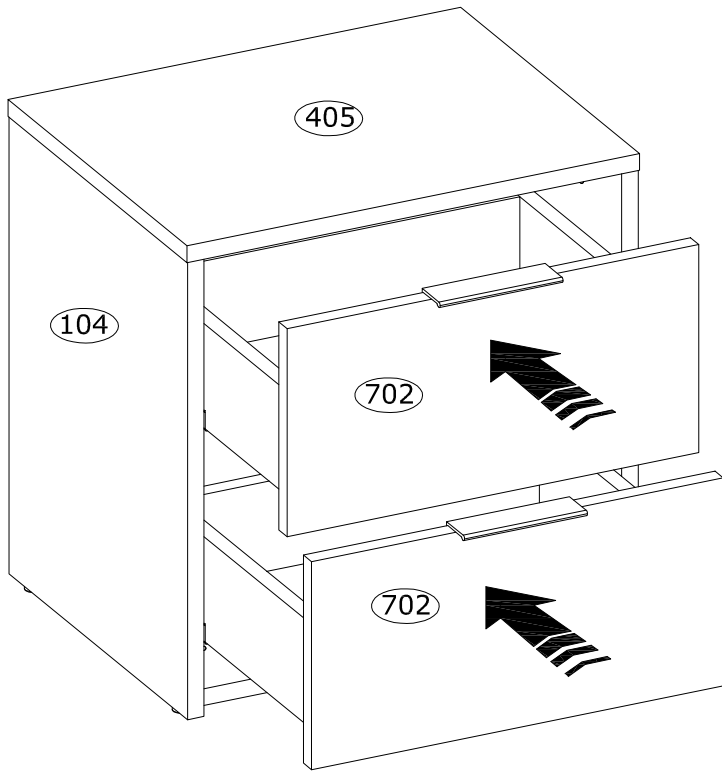
I
15x14x11 mm
x8
4044

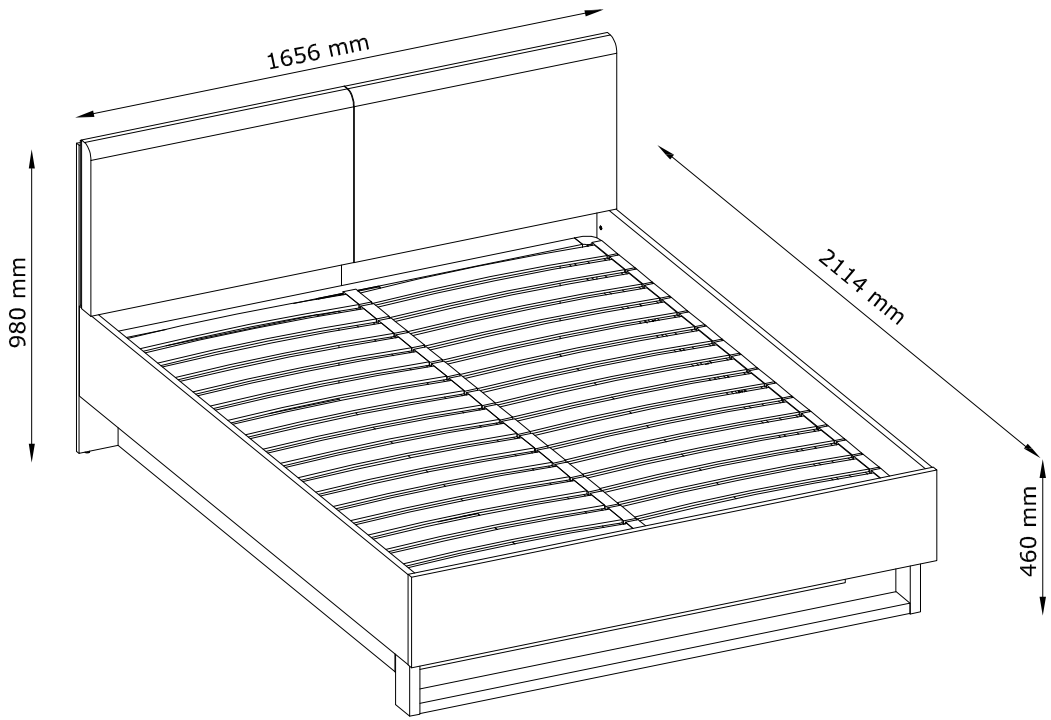


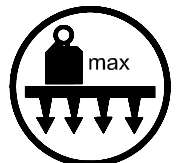
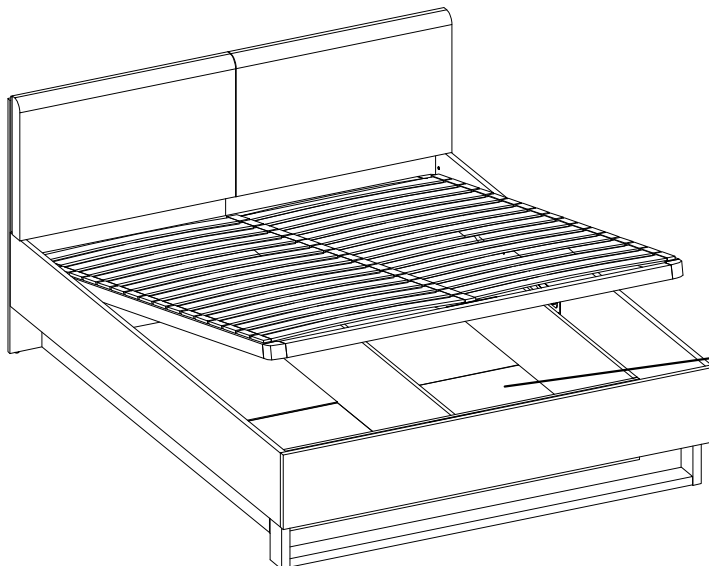
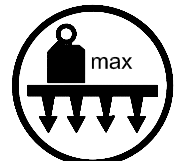
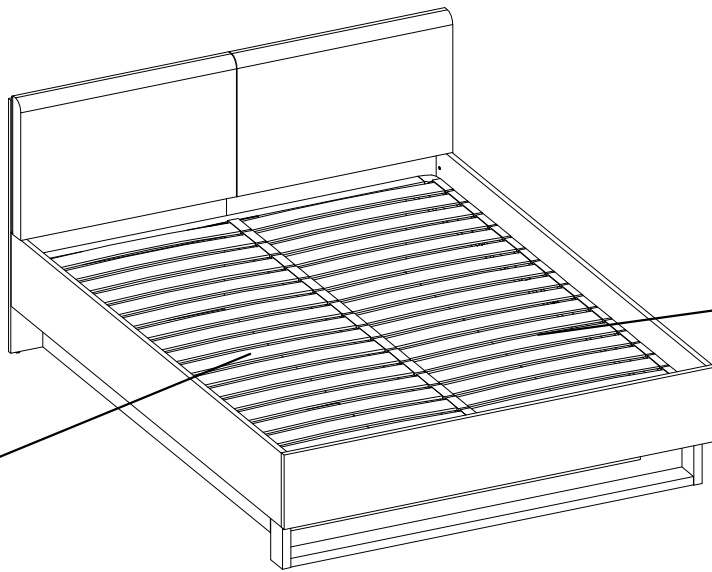
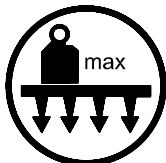
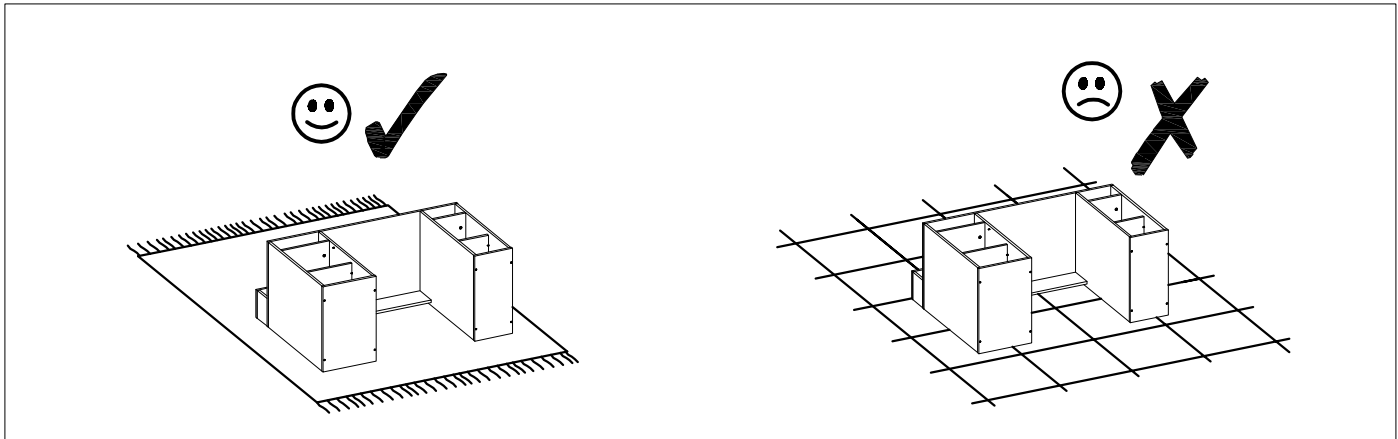
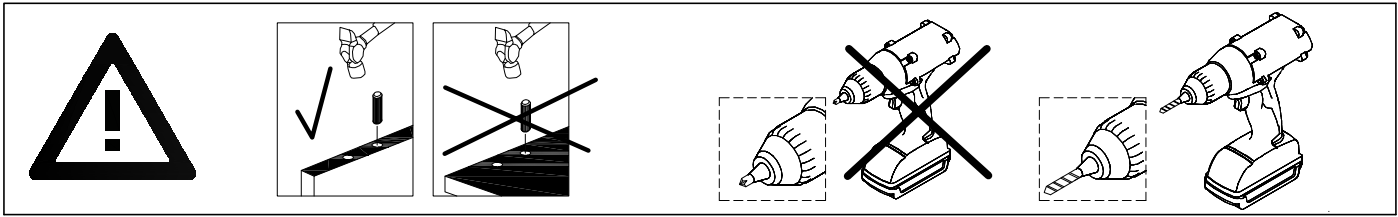
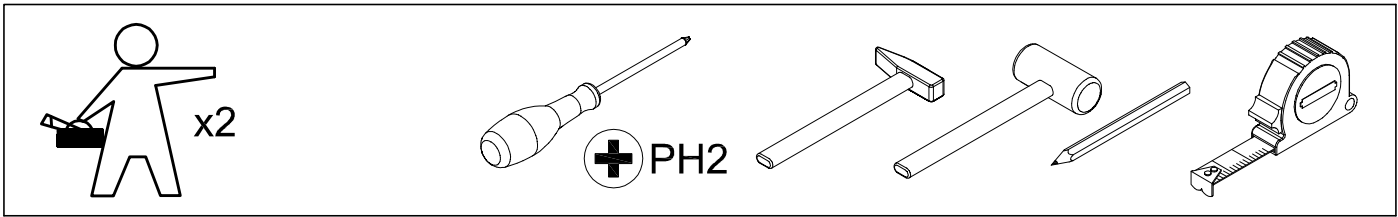
x2

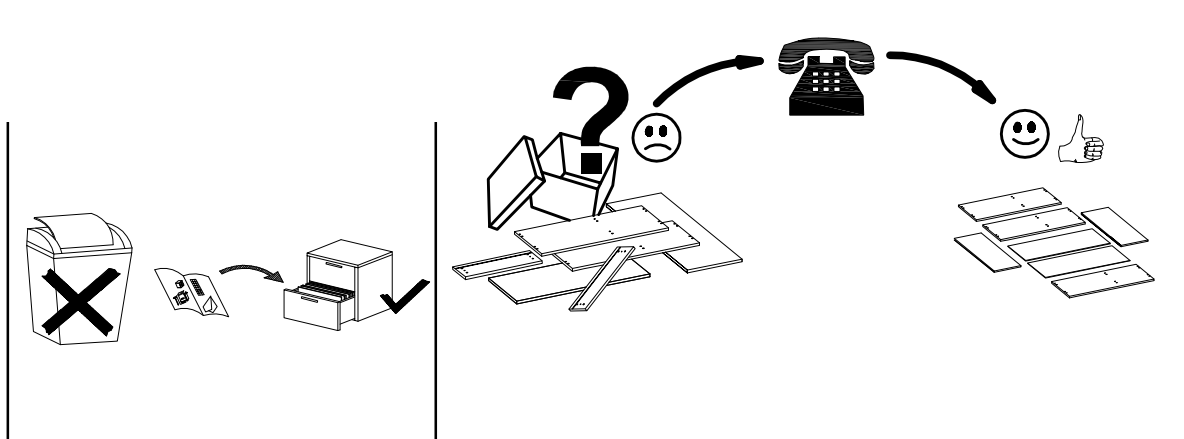



XX=YY≅90°

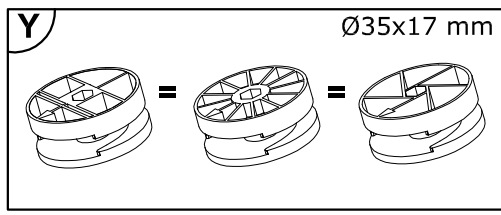




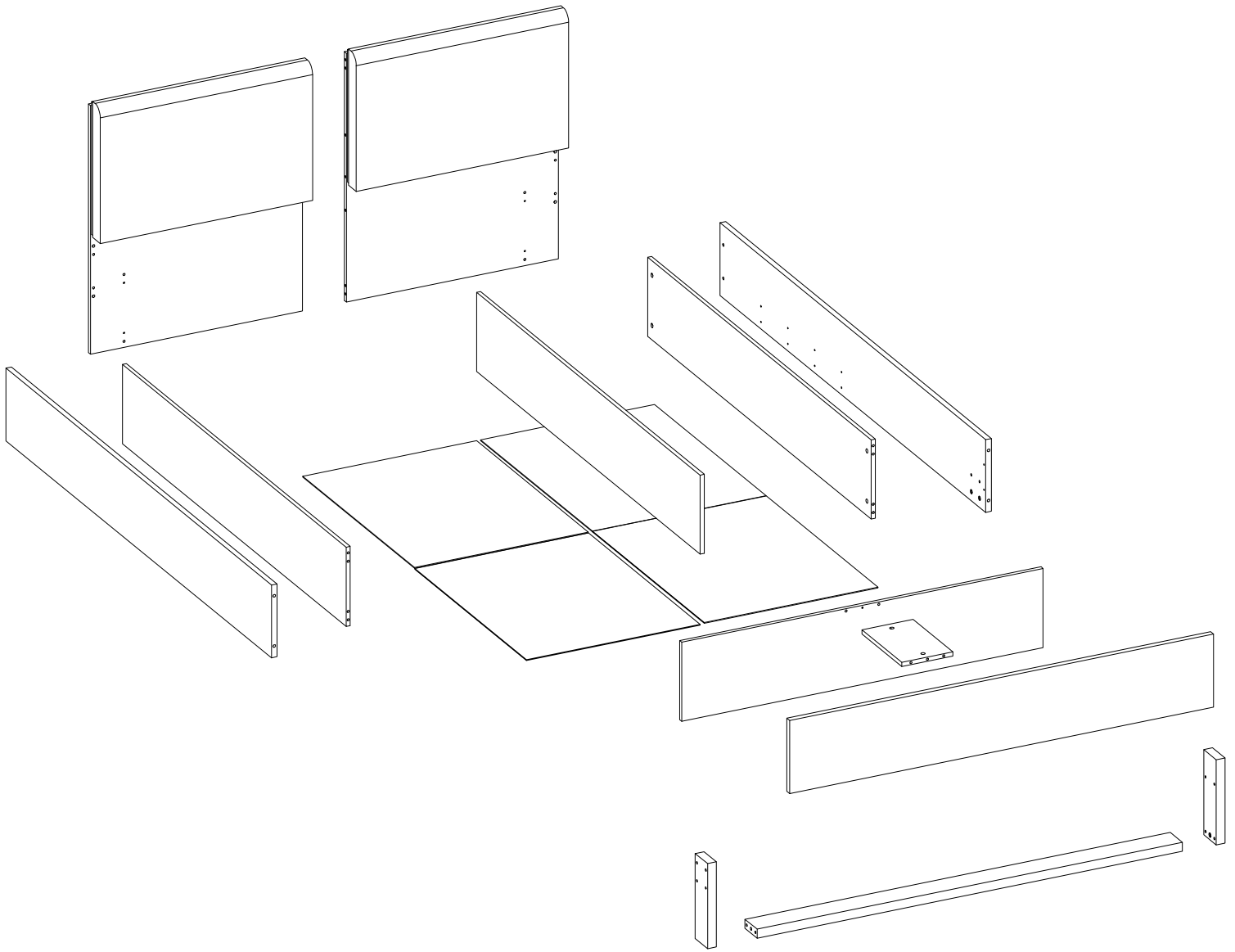




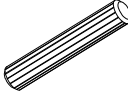



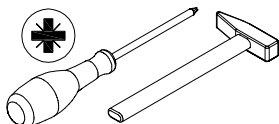

A Ø8x30 mm x16 3989	B Ø10x35 mm x8 3992	C Ø8x50 mm x8 3991	D Ø7,0x59 mm x3 4058	E Ø6,5x36,5 mm x24 4066
F Ø15x12 mm x16 3996	G 8 mm x1 226502	H 6 mm x1 3985	I 4 mm x1 3984	J M6/17 x4 168986
K M8/17 x2 233861	L x9 70313	M M6 L-55 x4 146787	N M6,0x16,0 mm x4 3939	O Ø4,0x35 mm x8 3895
P Ø4,0x45 mm x16 3897	R Ø4,0x50 mm x2 81980	S Ø6,3x13 mm x8 3879	T Ø3,5x20 mm x6 3919	U Ø6,3x13 mm x8 3880
W Ø3,5x16 mm x24 3918	X Ø3,0x20 mm x4 3886	Y Ø35x17 mm x2 233865	Z M8x39,5 mm x2 233869	A1 M6x45,0 mm x4 205079
B1 128x30x23 mm x2 210474	C1 Ø20,0x5 mm x16 65855	D1 43x21x21 mm x4 228270		

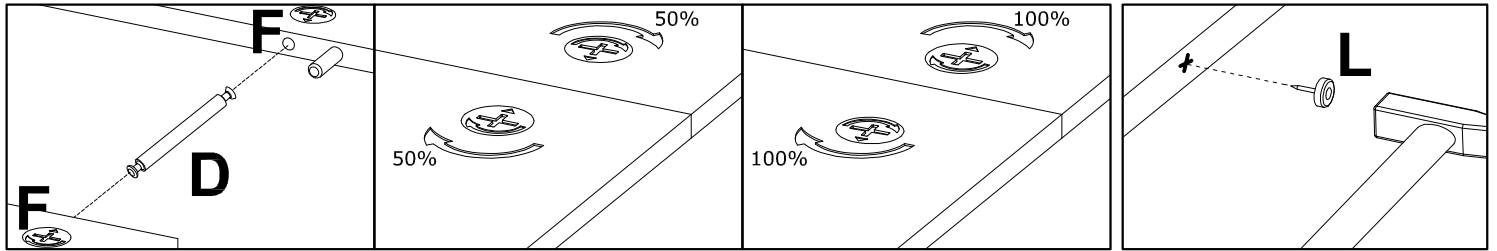
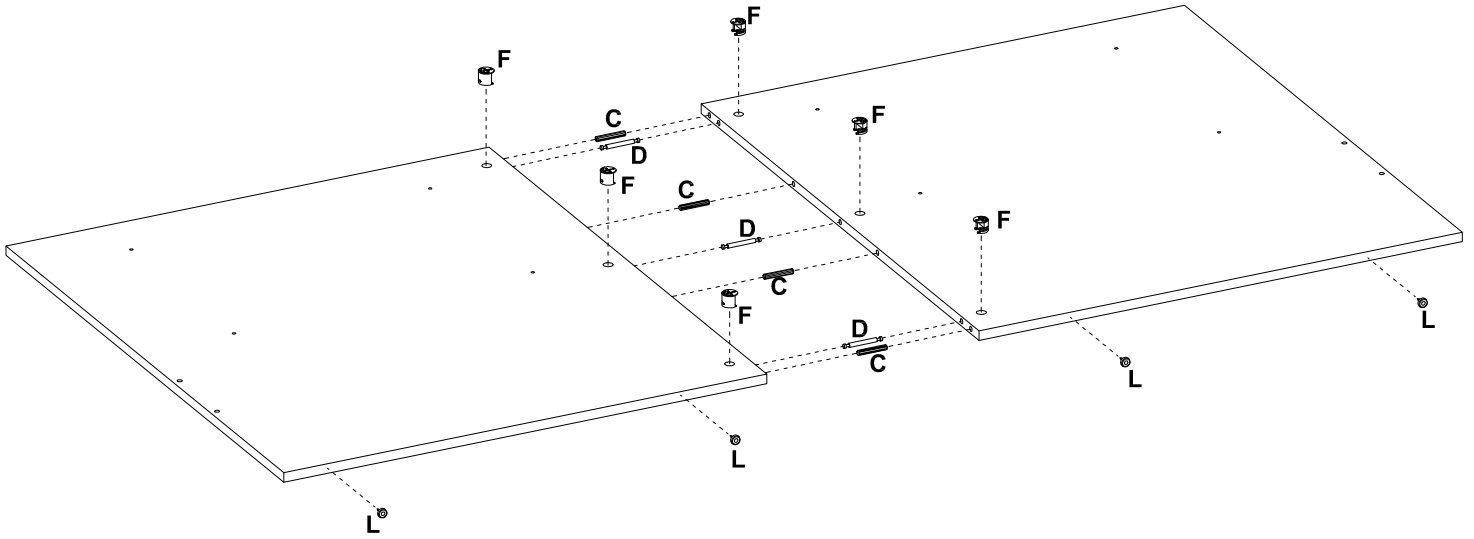


0
10
20
30
40
50
60
70
80
90
100
110
120
130
140
150
160
170
180
190
200

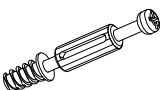
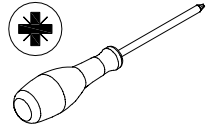



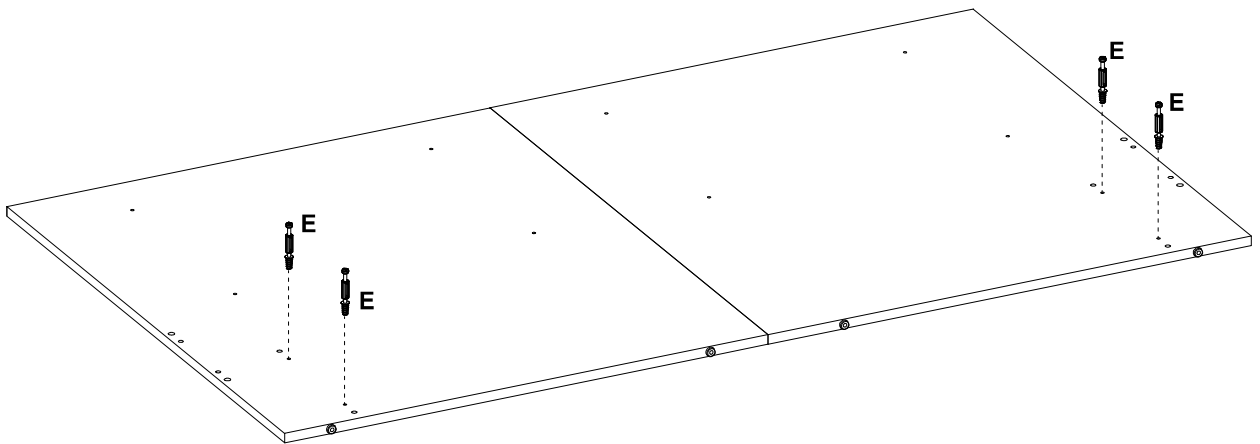
1

C Ø8x50 mm  x4 3991	L  x4 70313	D Ø7,0x59 mm  x3 4058	F Ø15x12 mm  x6 3996	 
---	---	---	--	--



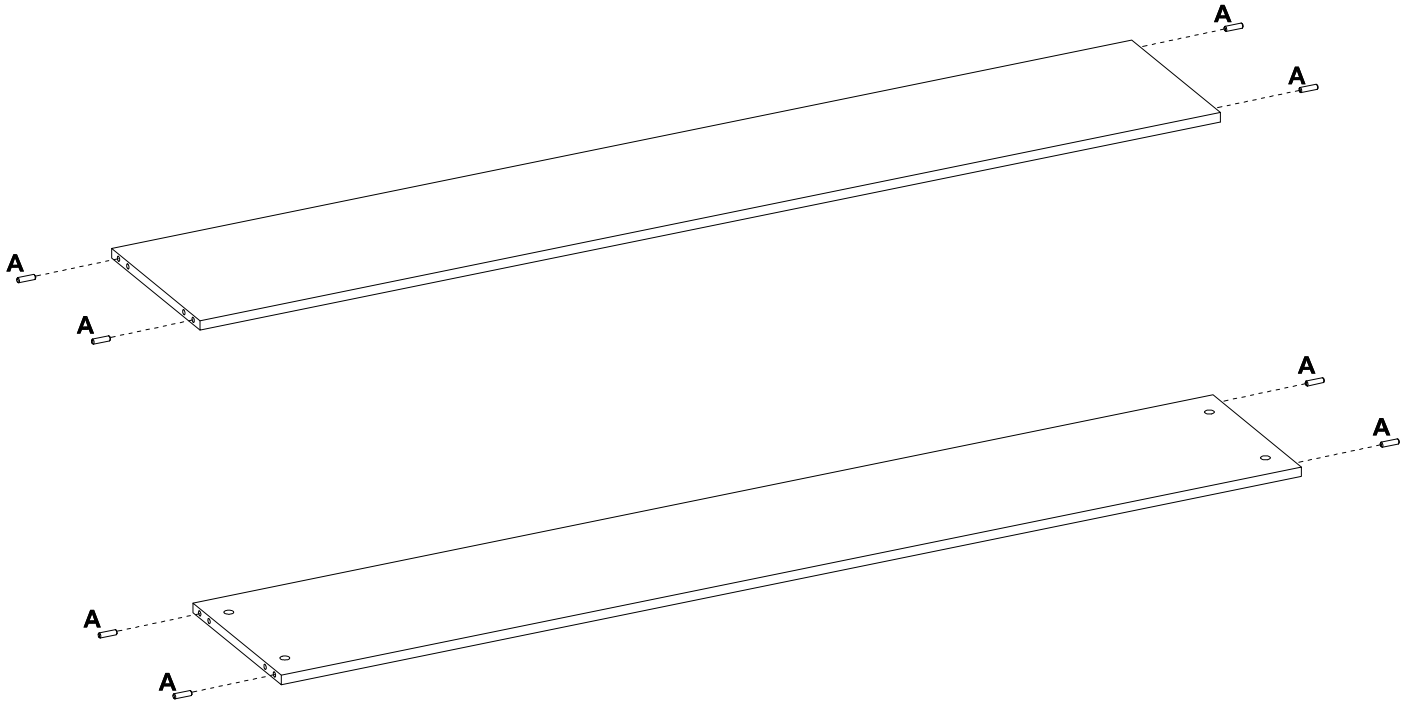
2

E Ø6,5x36,5 mm  x4 4066	 
---	--



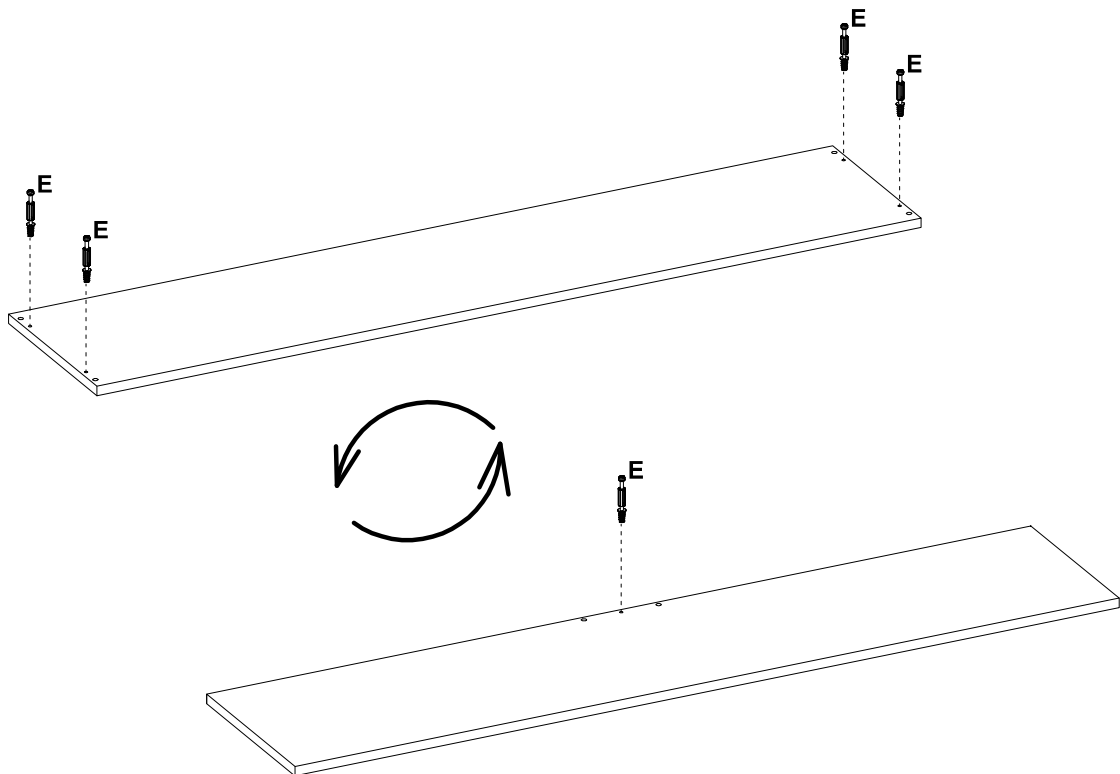
3

A	$\varnothing 8 \times 30$ mm		
	x8	3989	



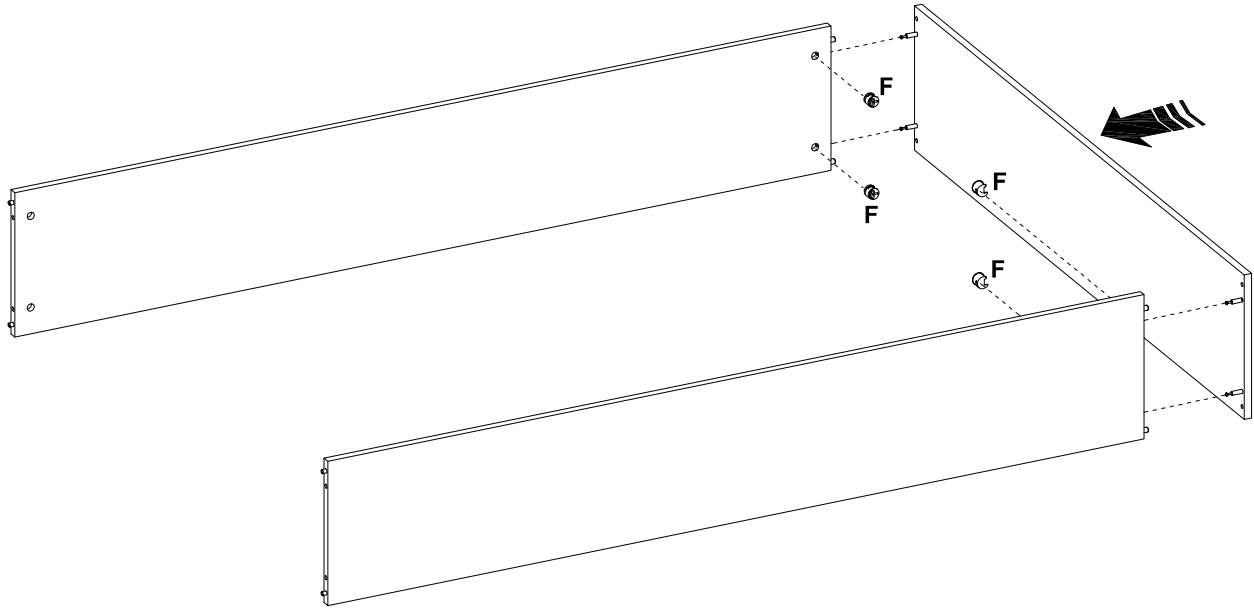
4

E	$\varnothing 6,5 \times 36,5$ mm		
	x5	4066	



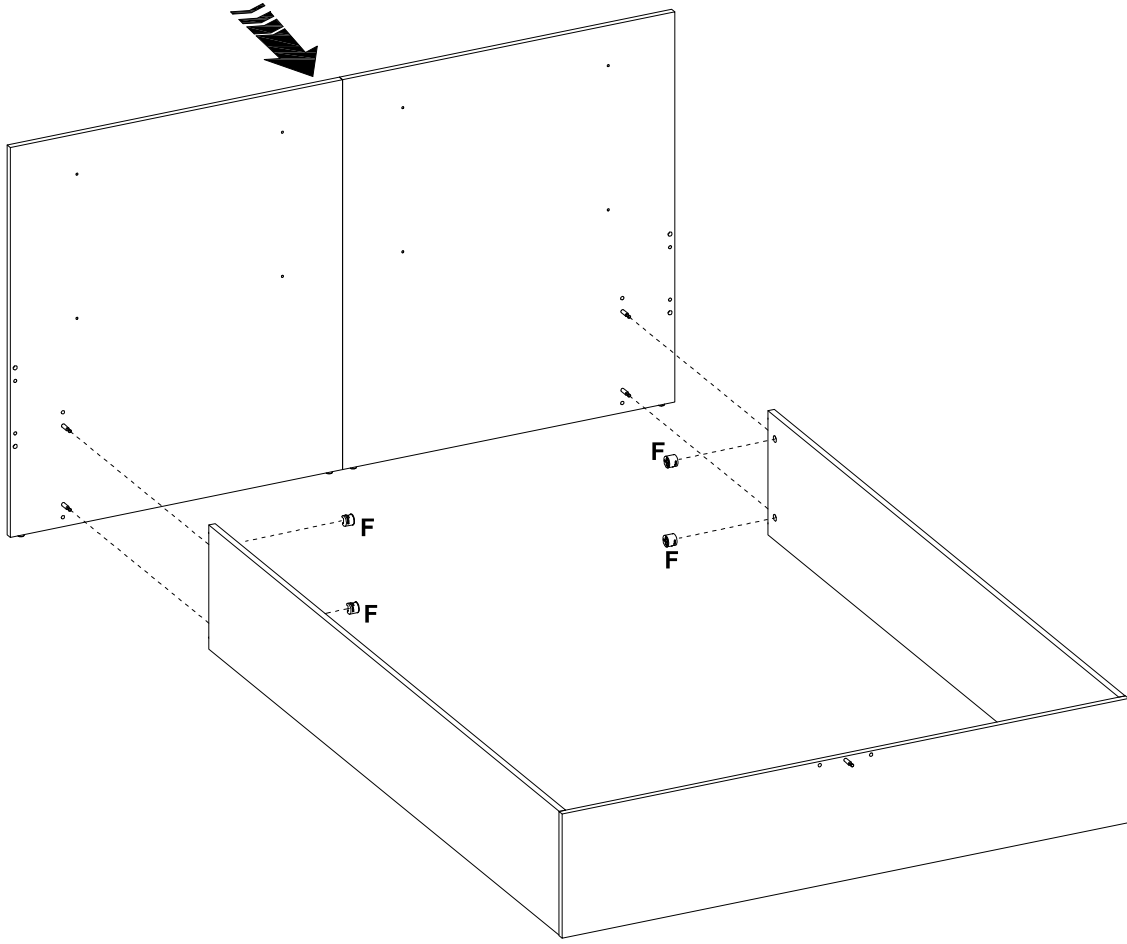
5

F	Ø15x12 mm		x4 3996	
----------	-----------	---	------------	--

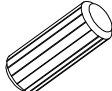
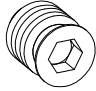
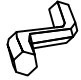
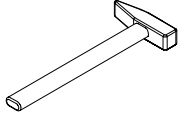


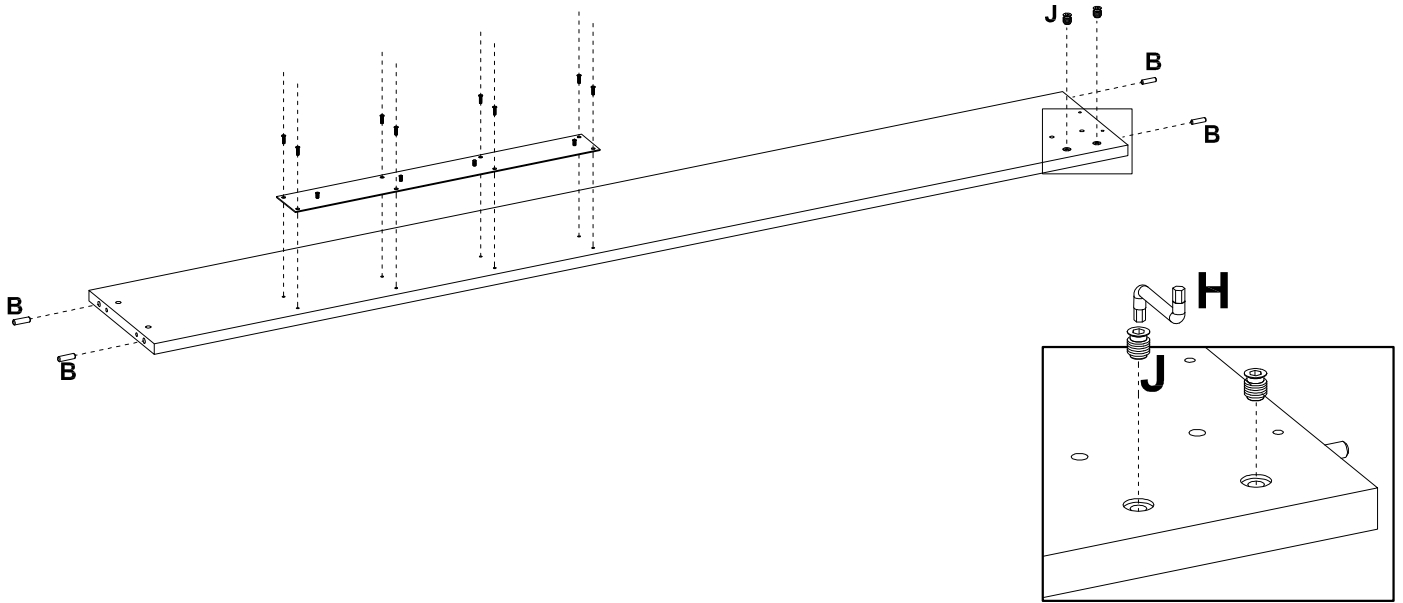
6

F	Ø15x12 mm		x4 3996	
----------	-----------	---	------------	--

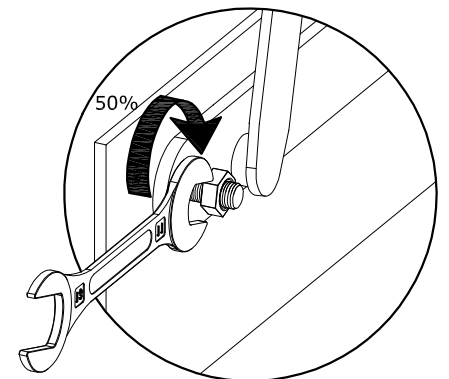
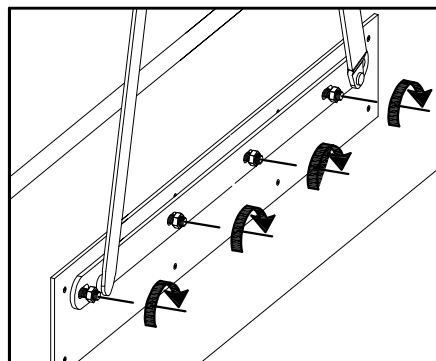
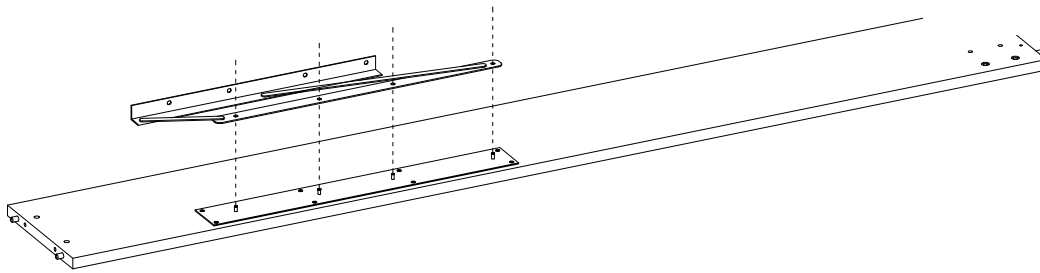
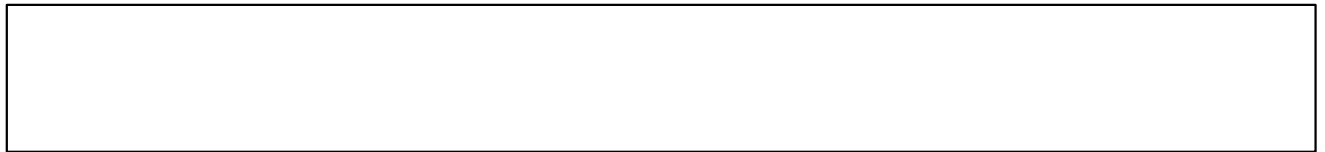


7

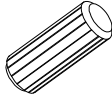
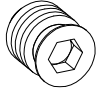
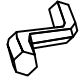
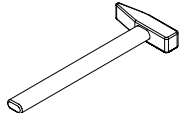
B  Ø10x35 mm x4 3992	J  M6/17 x2 168986	H  6 mm x1 3985	
--	---	--	--

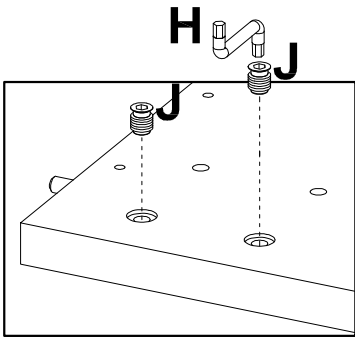
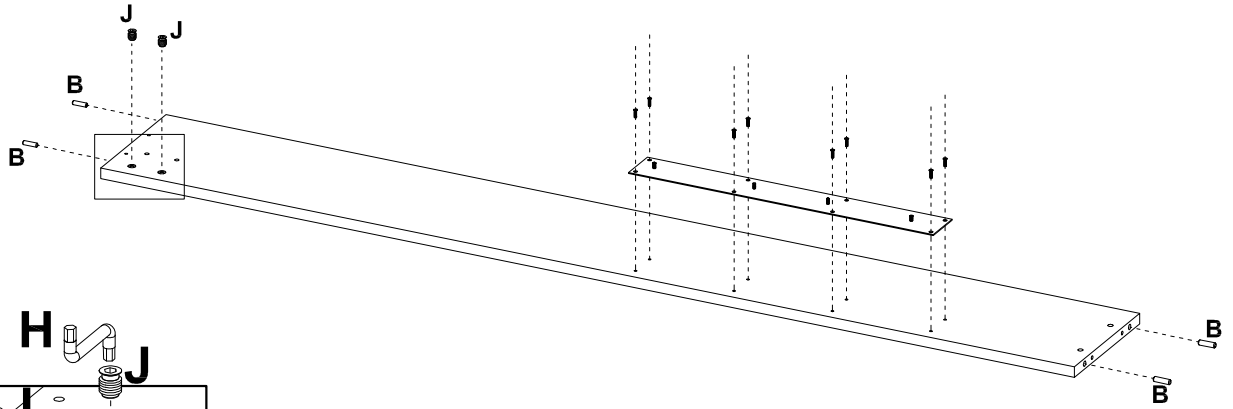


8

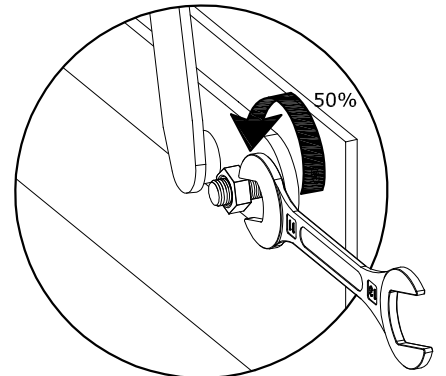
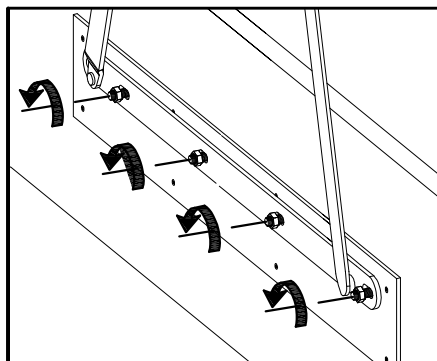
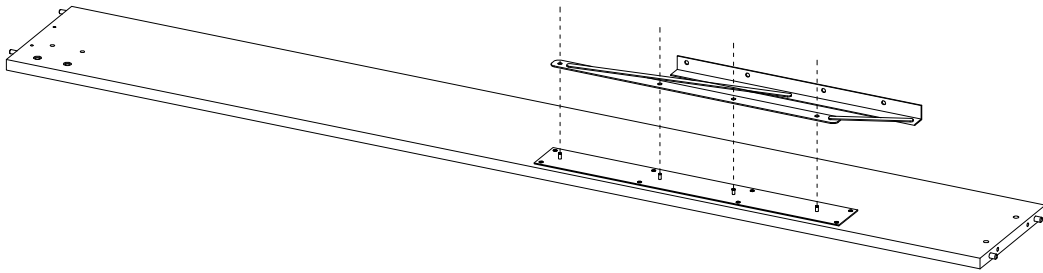
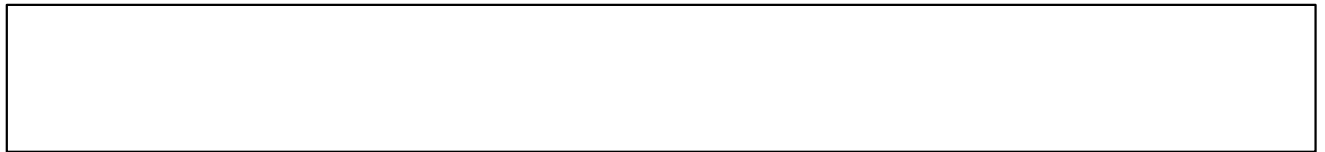


9


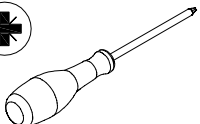
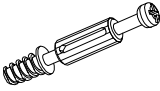
B Ø10x35 mm  x4 3992	J M6/17  x2 168986	H 6 mm  x1 3985	
--	---	--	--

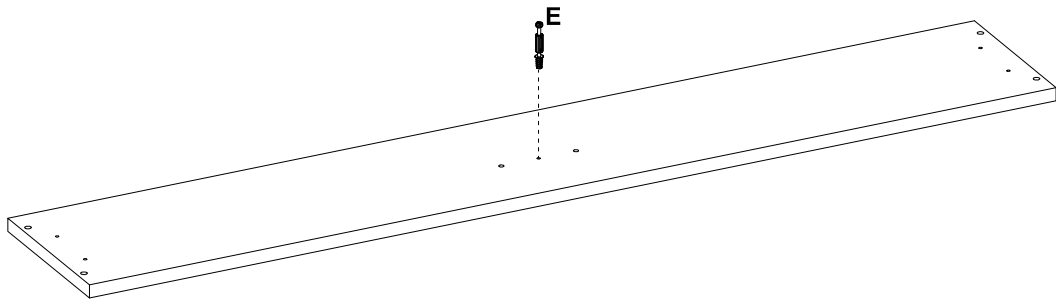


10

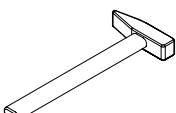


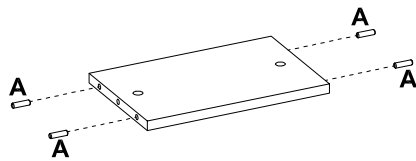
11

E	Ø6,5x36,5 mm			
		x1 4066		

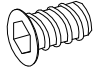



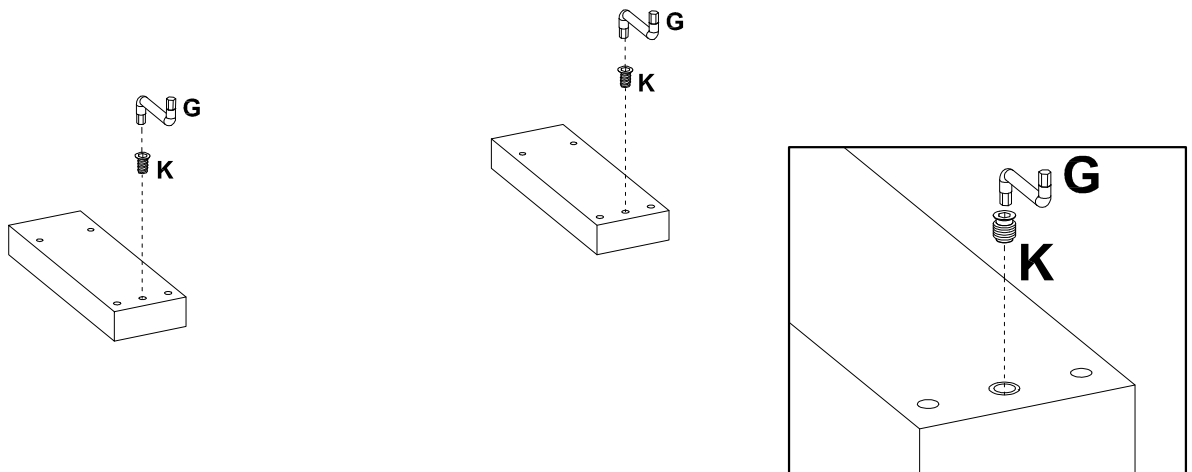
12

A	Ø8x30 mm			
		x4 3989		



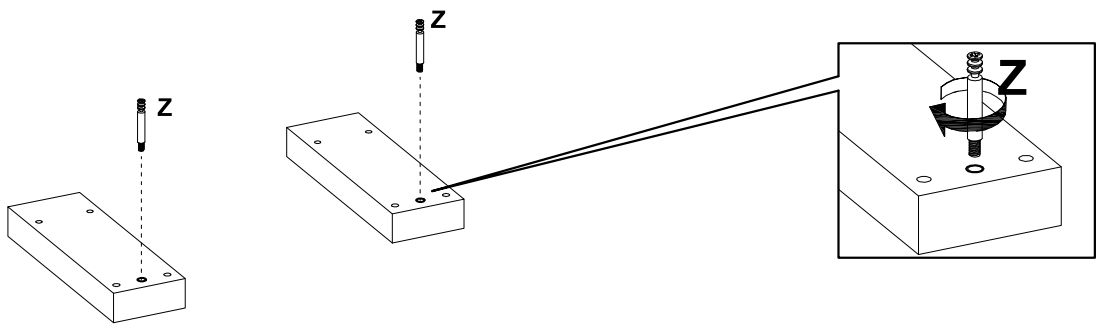
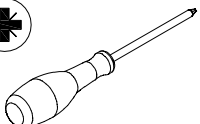

13

K	M8/17	G	8 mm	
			x1 226502	
	x2 233861			



14

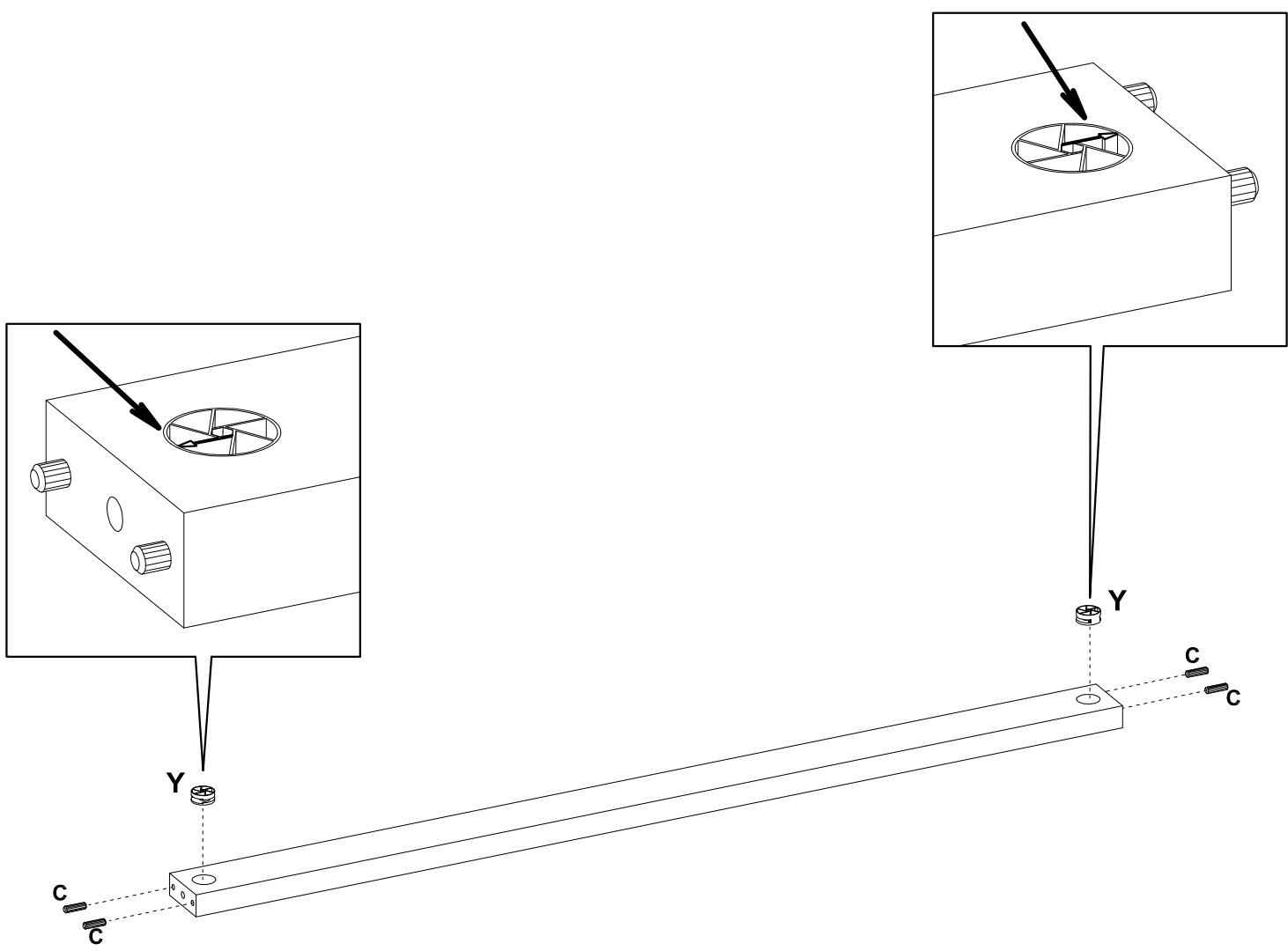
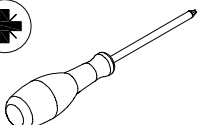

Z M8x39,5 mm
x2
233869



15

Y Ø35x17 mm
x2
233865

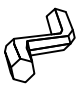
C Ø8x50 mm
x8
3991

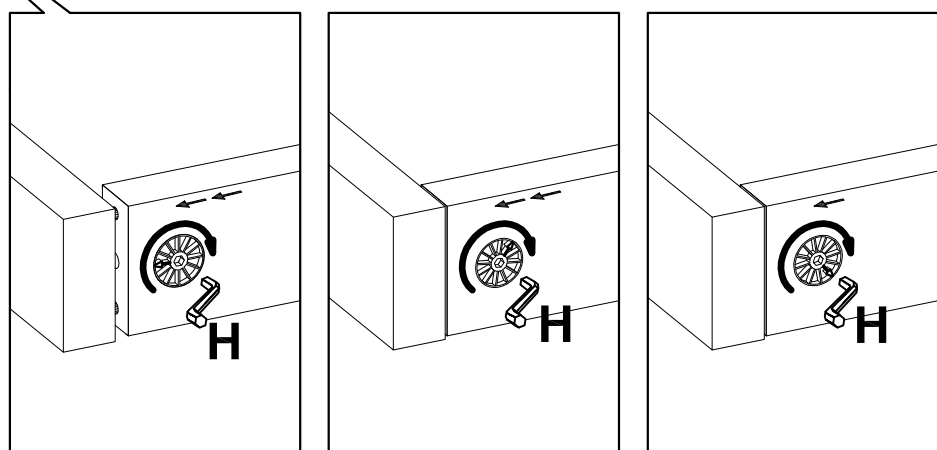
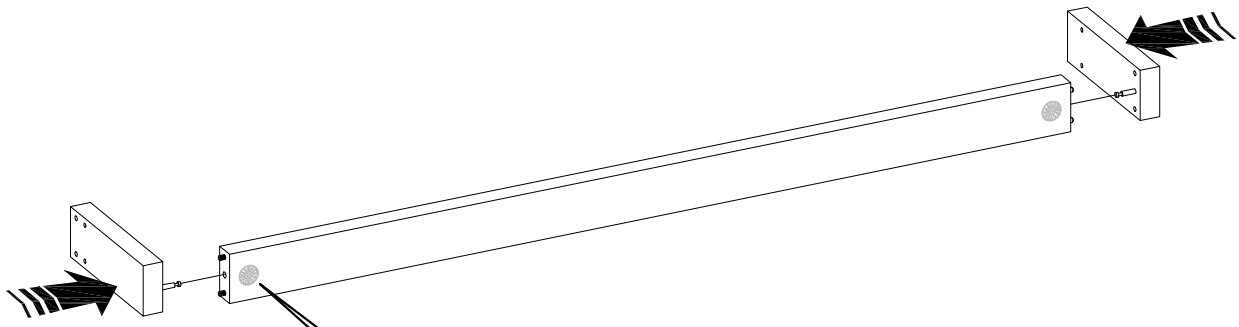


Y Ø35x17 mm

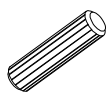

The diagram shows three views of the fan cover 'Y': a front view, a side view, and a back view, separated by equals signs. The front view shows a circular fan cover with a central hub and four blades. The side view shows the cover's profile. The back view shows the cover's mounting flange.

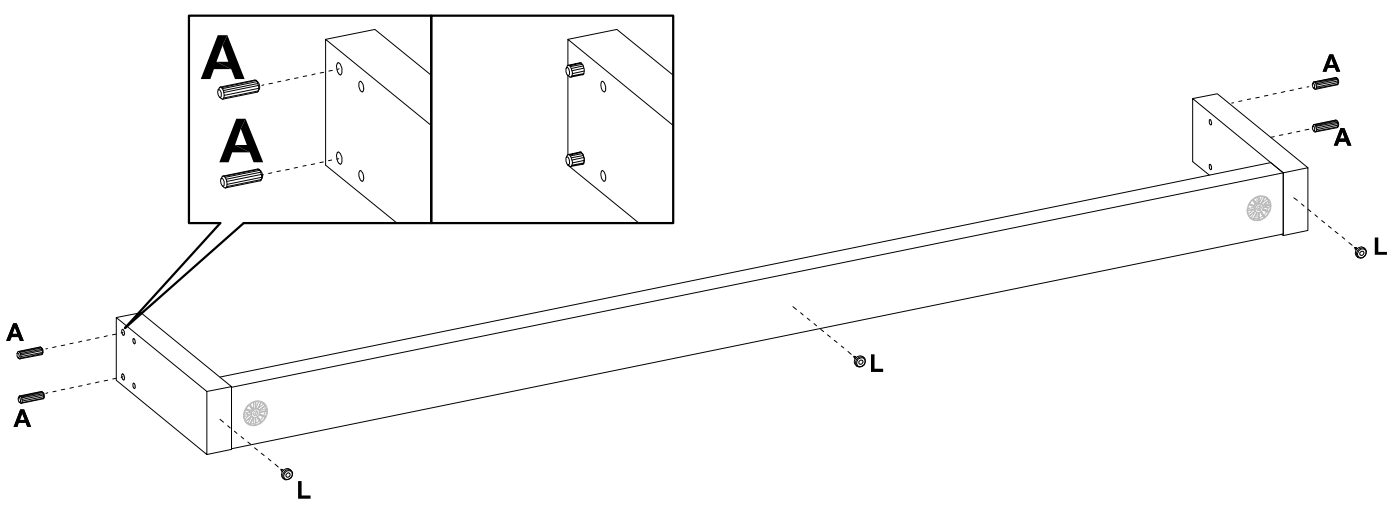
16

H		6 mm
	x1	
	3985	

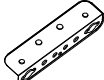



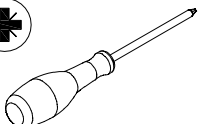


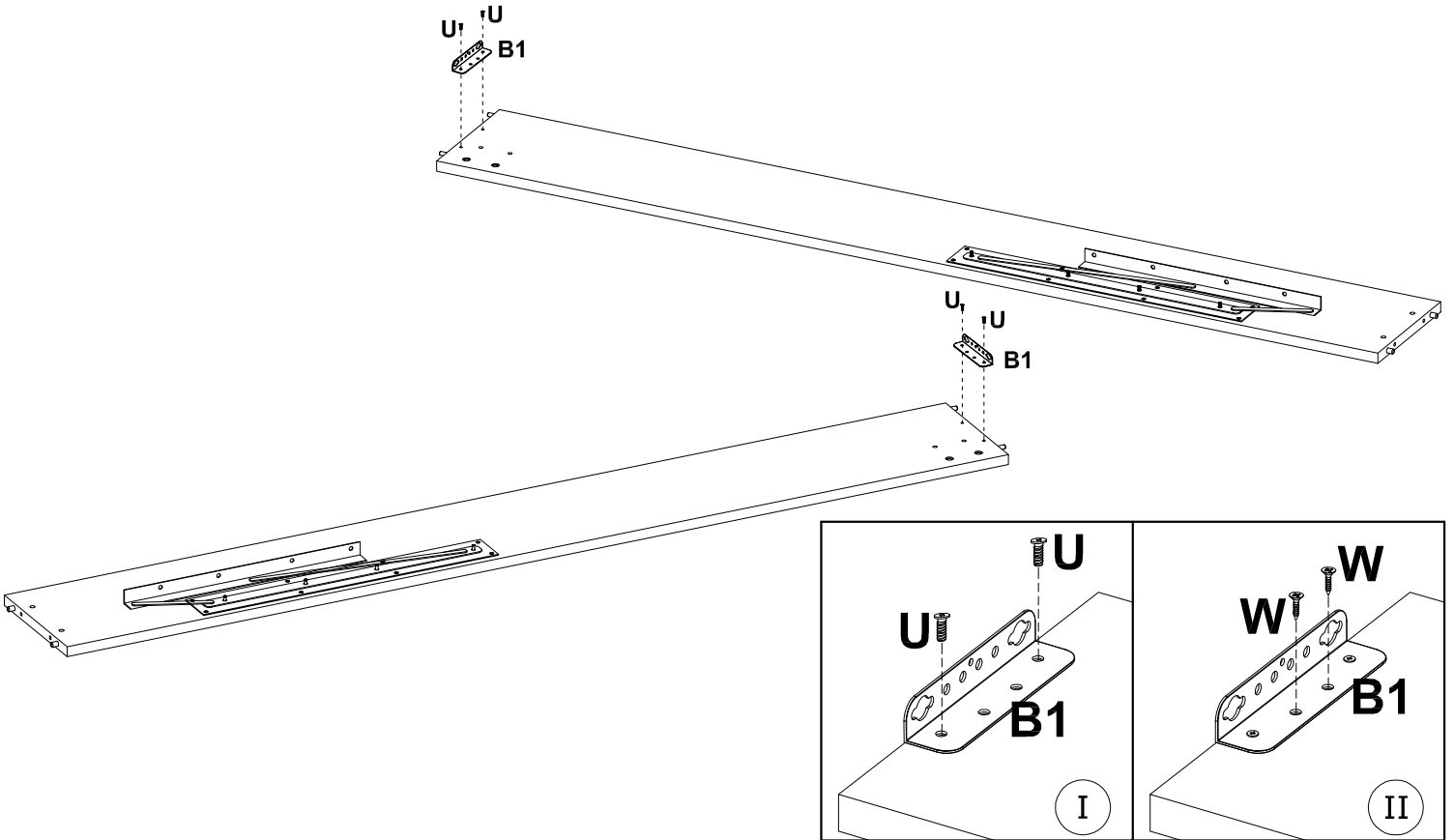
17

A		Ø8x30 mm	L	
	x16			x3
	3989			70313


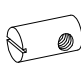




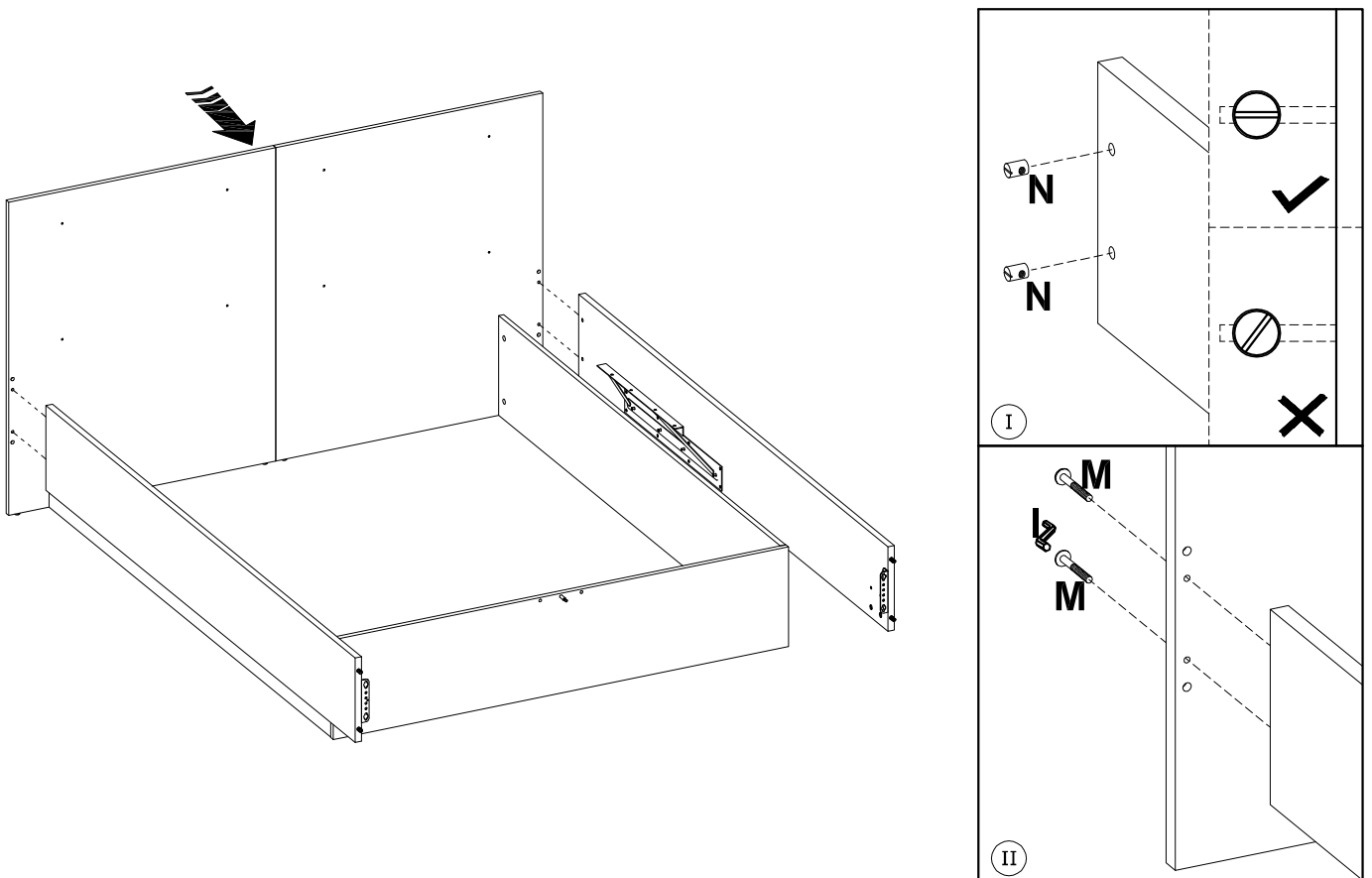
18

B1 128x30x23 mm  x2 210474	U Ø6,3x13 mm  x4 3880	W Ø3,5x16 mm  x4 3918	 
---	--	---	--



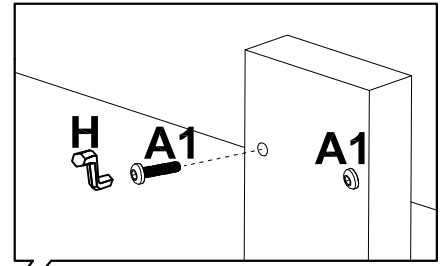
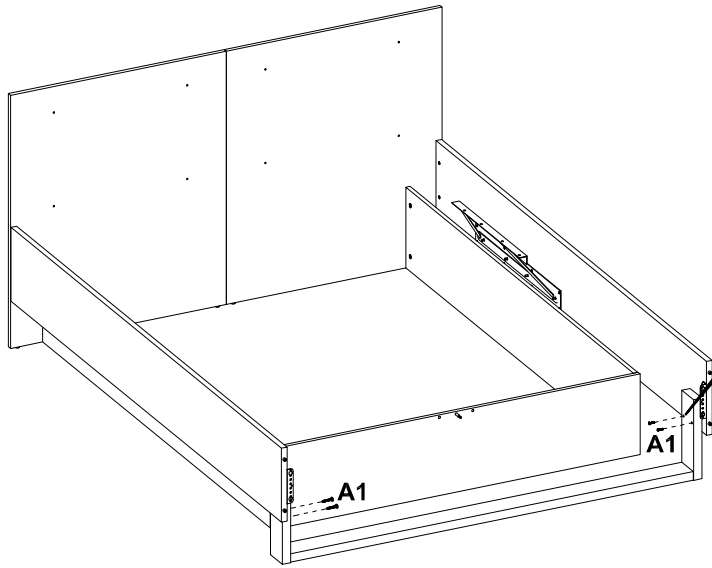
19

M M6 L-55  x4 146787	N M6,0x16,0 mm  x4 3939	I 4 mm  x1 3984	 x2
--	---	---	--



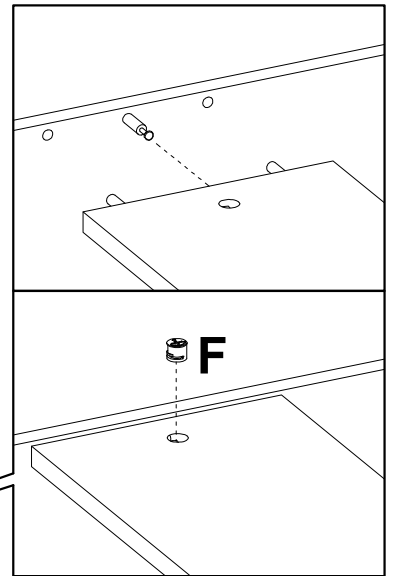
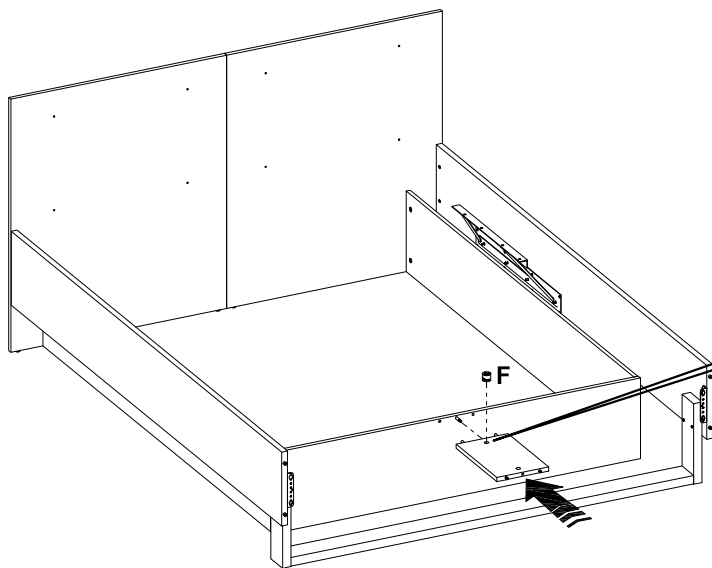
20

A1 M6x45,0 mm  x4 205079	H  x1 3985	6 mm	 x2
--	--	------	---





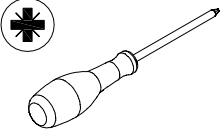


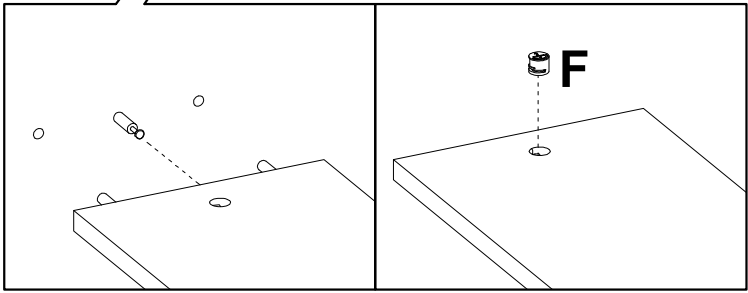
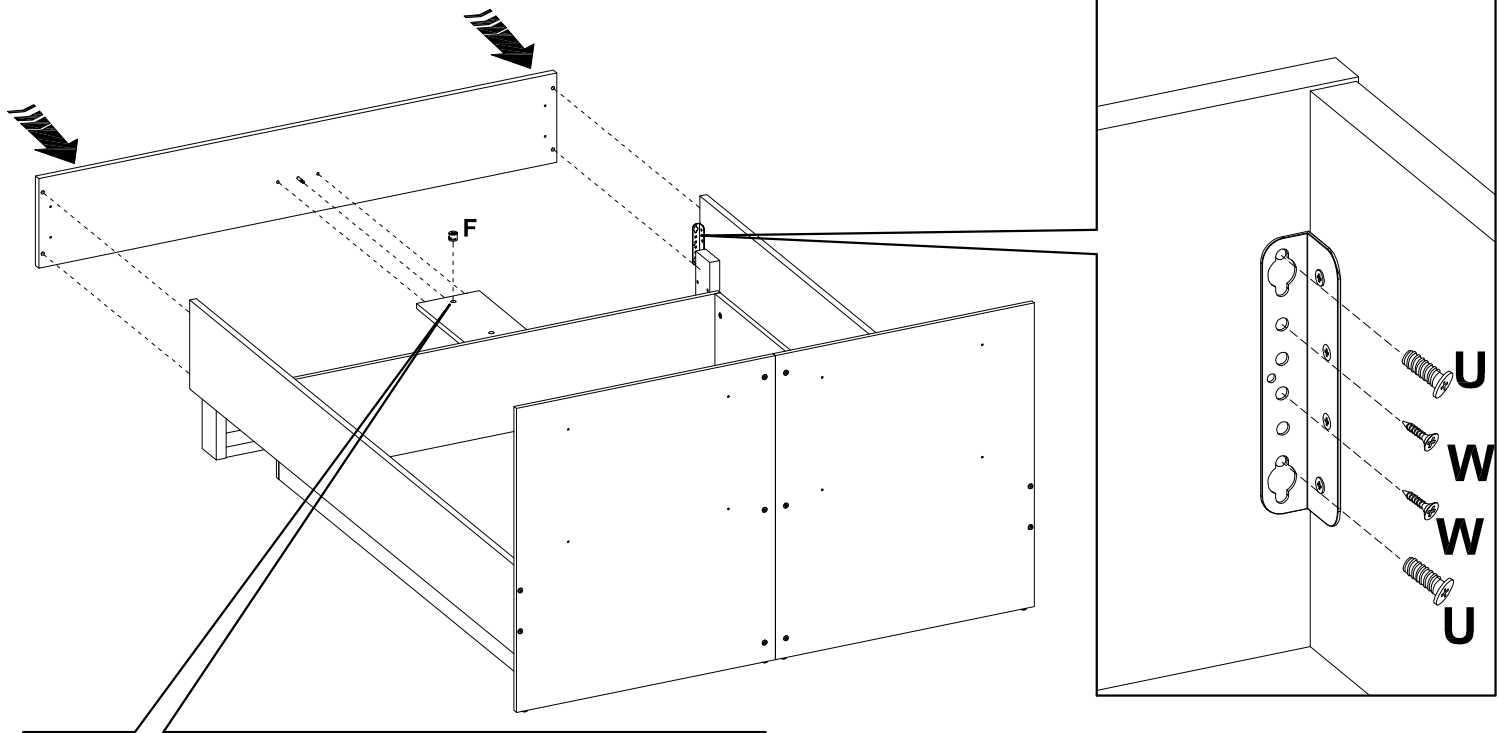
21

F Ø15x12 mm  x1 3996			
--	--	---	---



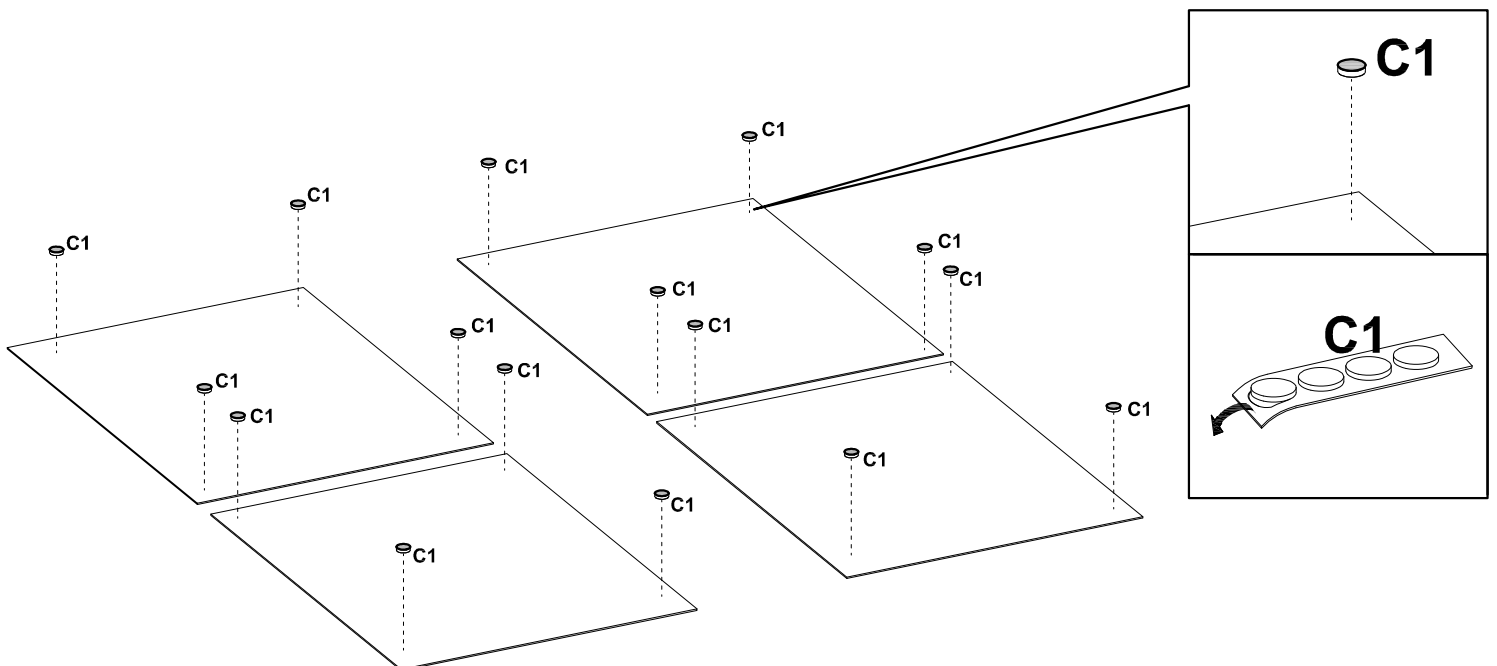
22

F Ø15x12 mm  x1 3996	U Ø6,3x13 mm  x4 3880	W Ø3,5x16 mm  x4 3918	 x2	
--	---	---	---	--



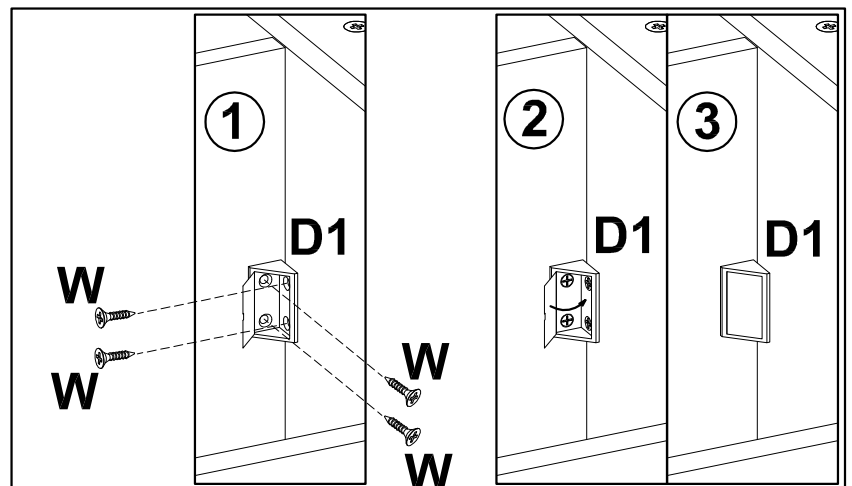
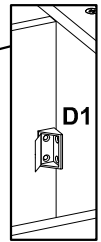
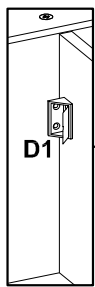
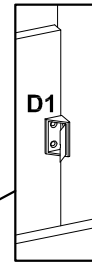
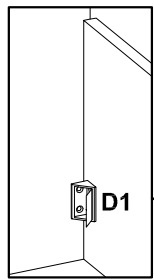
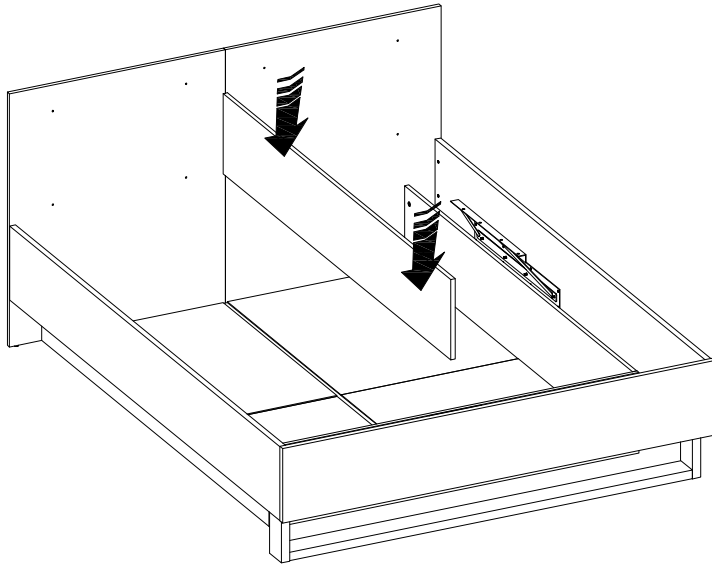
23

C1 Ø20,0x5 mm  x16 65855
--



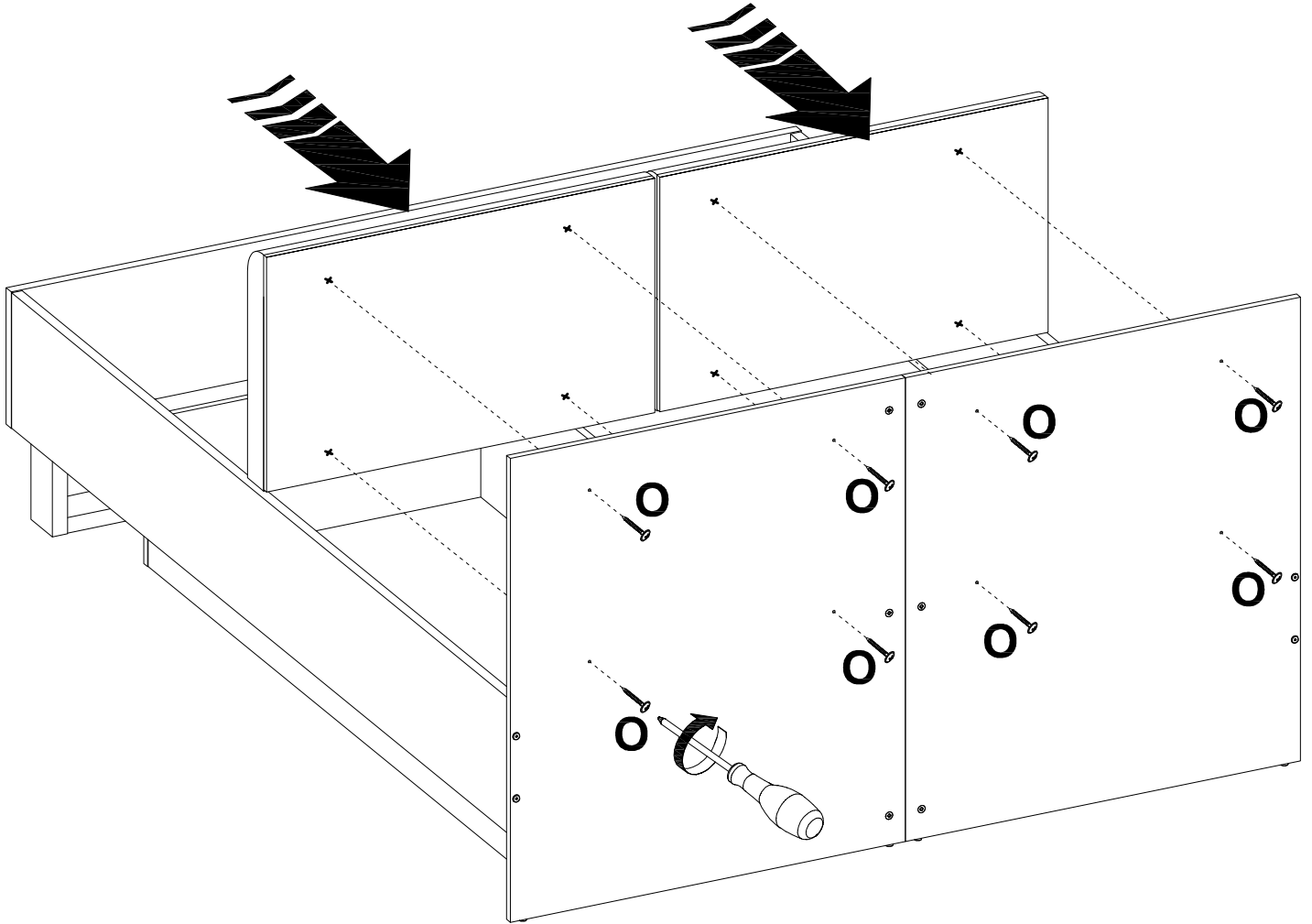
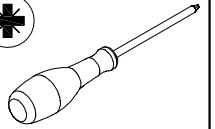
24

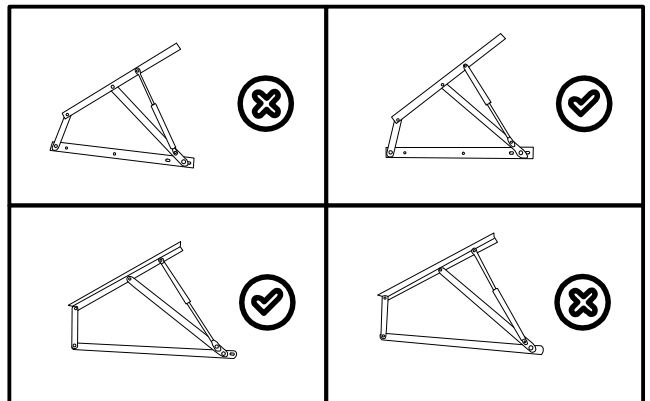
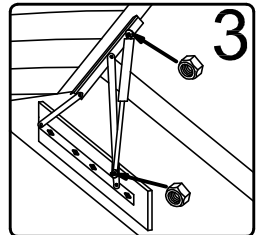
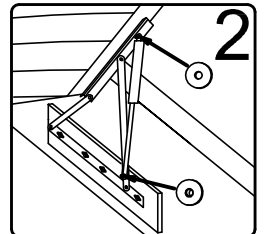
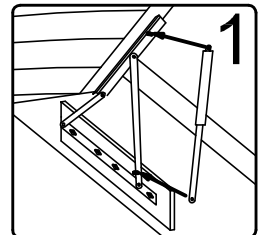
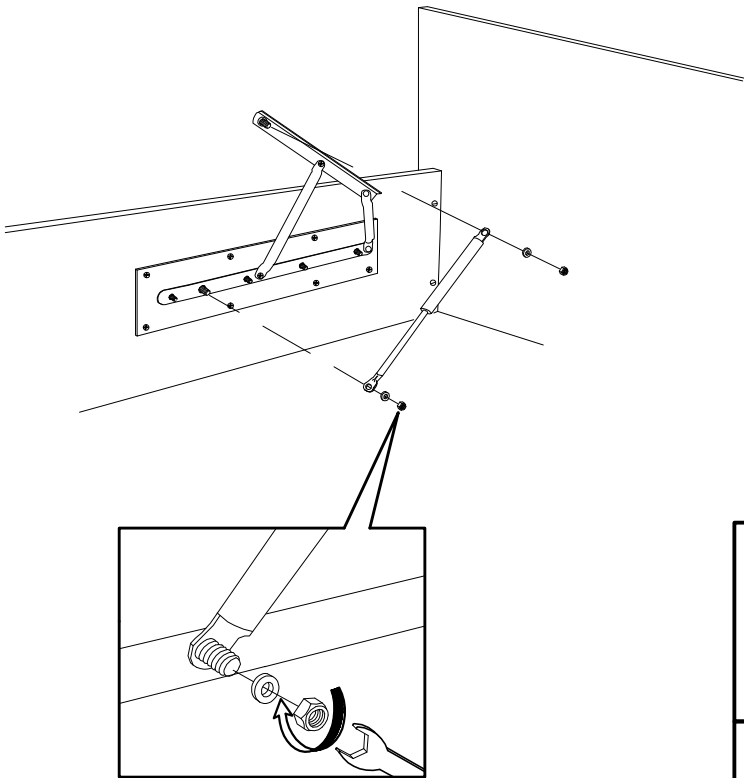
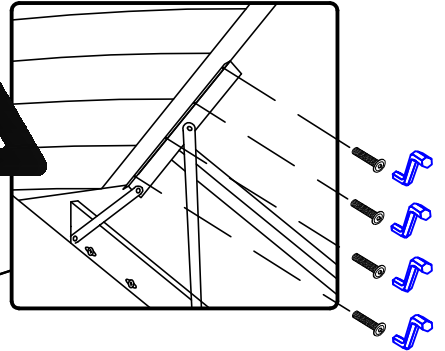
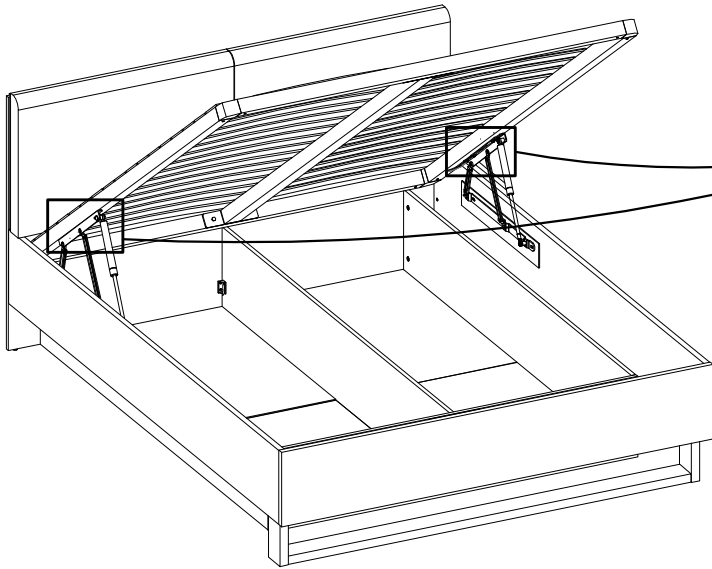
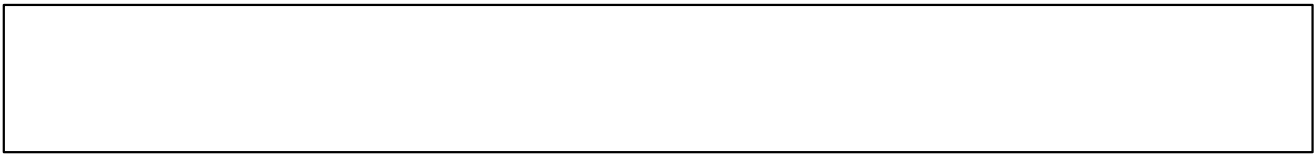
D1 43X21X21 mm  x4 228270	W Ø3,5x16 mm  x16 3918	 x2	
--	--	---	--

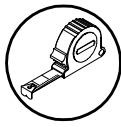


25

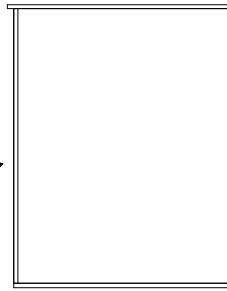
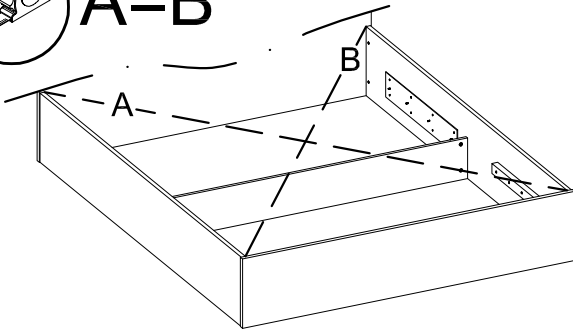
Ø4,0x35 mm
x8
3895



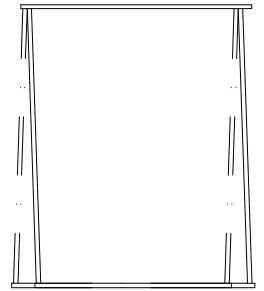




A=B

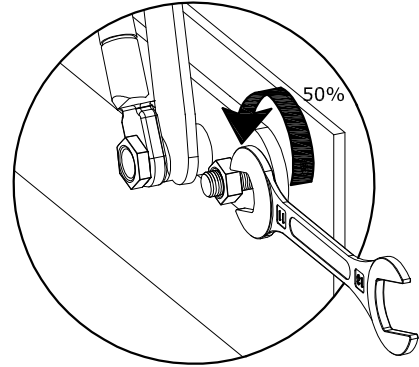
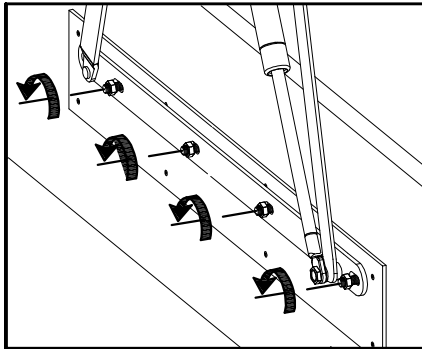


A=B

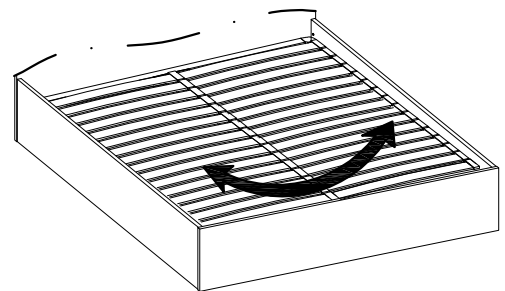
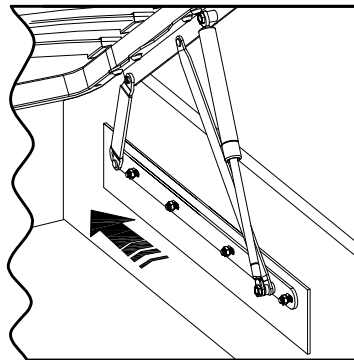
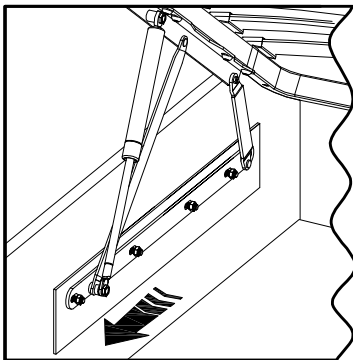
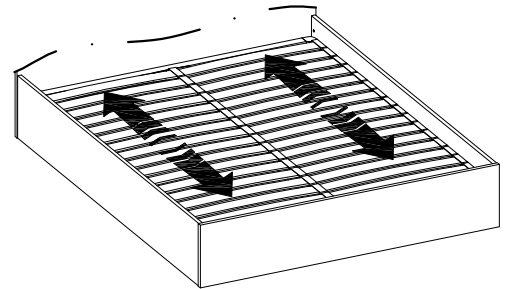
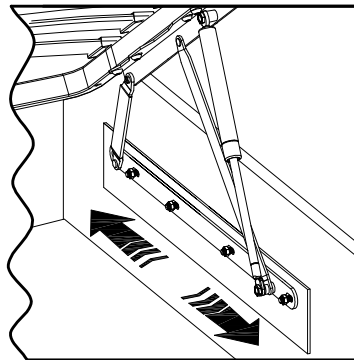
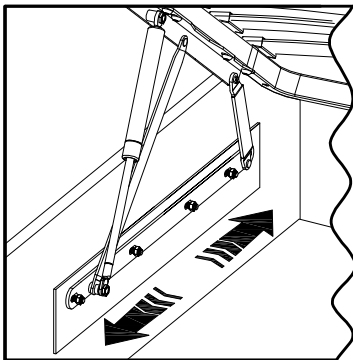


A≠B

I.



II.



III.

