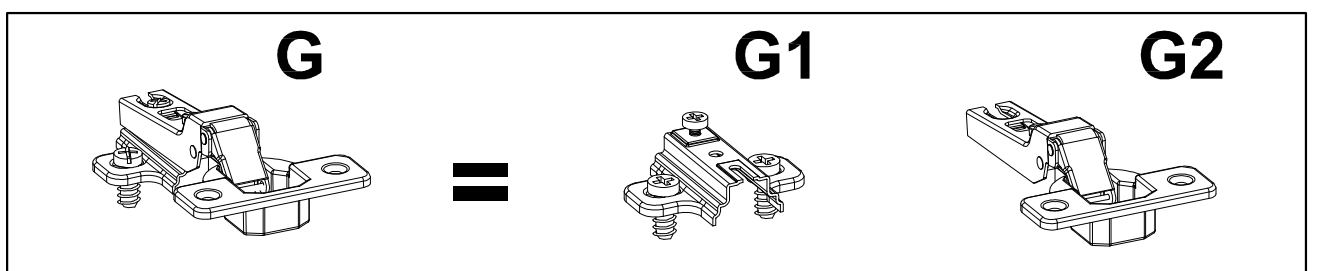
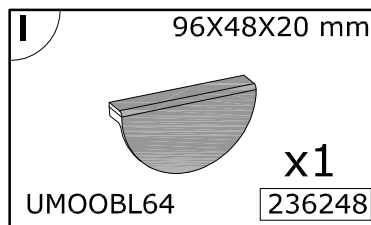
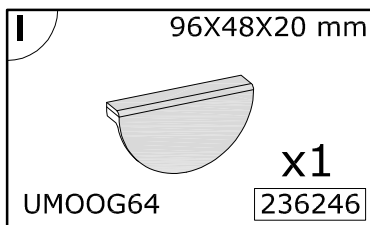
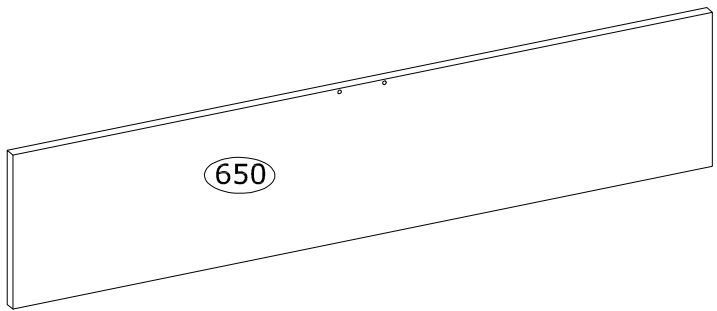
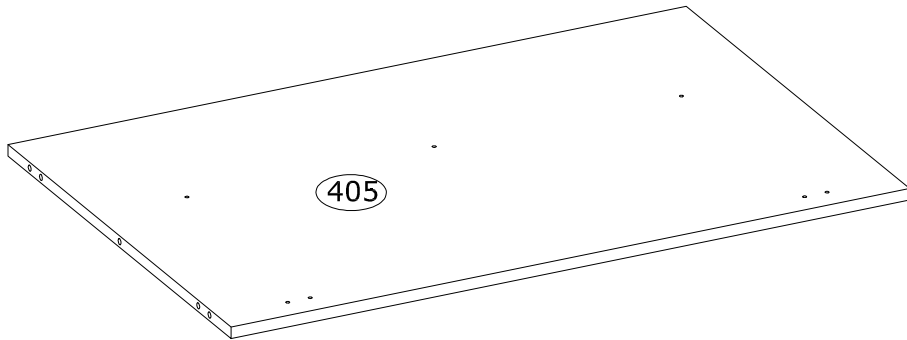
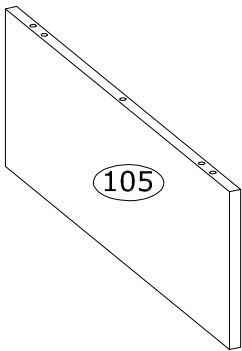
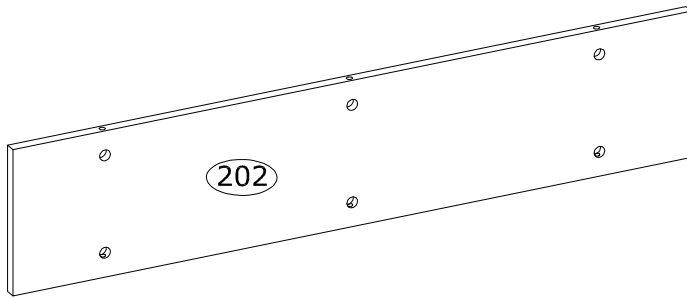
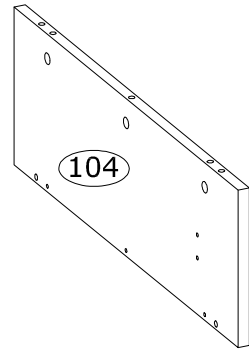
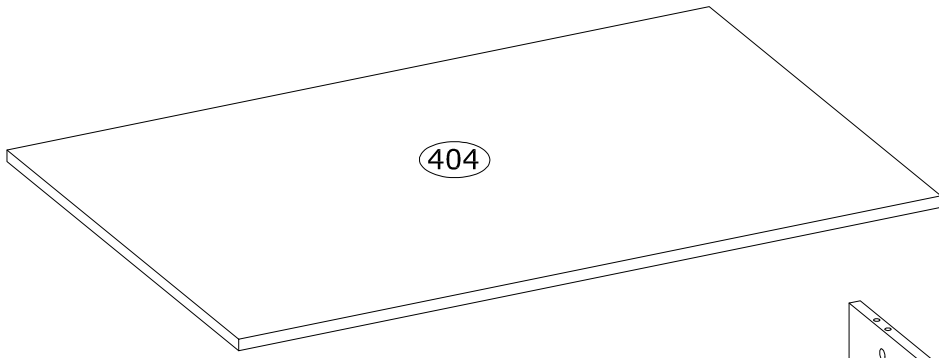


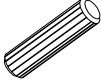

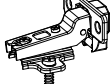

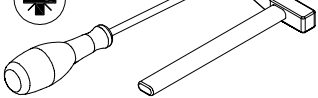
<b>A</b> $\varnothing 8 \times 30$ mm  <b>x8</b> 3989	<b>B</b> $\varnothing 6,5 \times 36,5$ mm  <b>x18</b> 4066	<b>C</b> $\varnothing 15 \times 12$ mm  <b>x18</b> 3996	<b>D</b> $\varnothing 20$ mm  <b>x12</b> 136239	<b>E</b> $\varnothing 3,0 \times 13$ mm  <b>x12</b> 3912
<b>F</b> $\varnothing 3,5 \times 16$ mm  <b>x20</b> 3918	<b>G</b> $\varnothing 35$ mm, KR0  <b>x2</b> 67350	<b>H</b> $\varnothing 20$ , H-180  <b>x4</b> 232943	<b>I</b> $96 \times 48 \times 20$ mm  <b>x1</b> 236246 236248	<b>J</b>  <b>x2</b> 74335

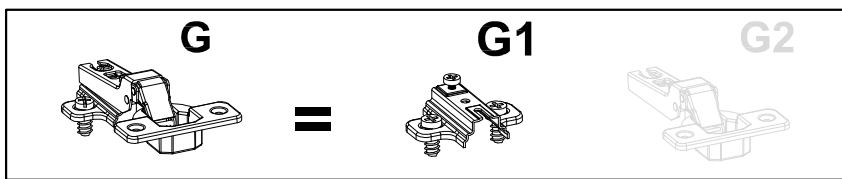
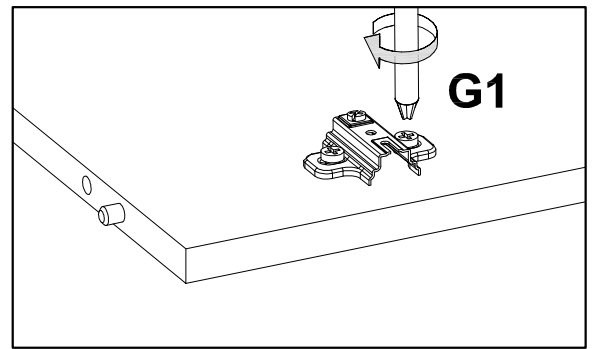
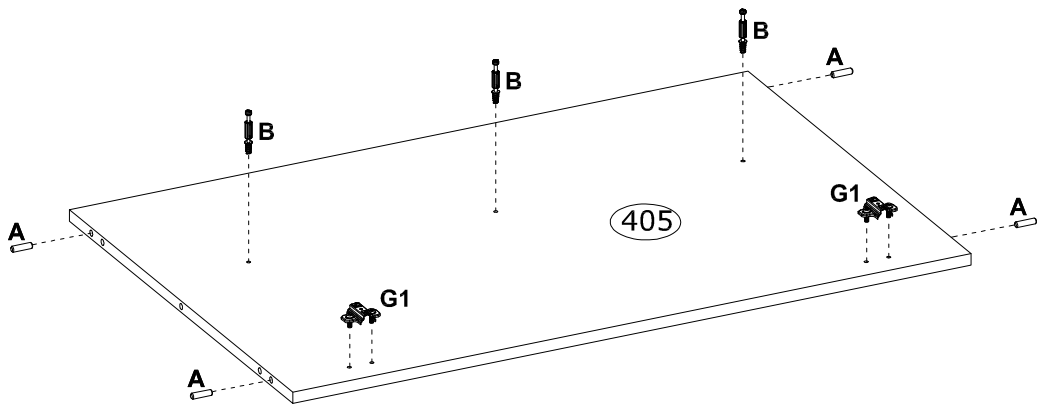


0  
10  
20  
30  
40  
50  
60  
70  
80  
90  
100  
110  
120  
130  
140  
150  
160  
170  
180  
190  
200


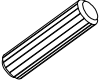
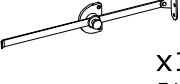


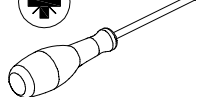


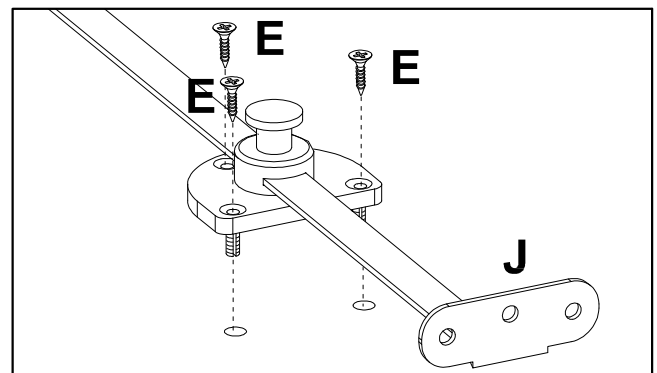
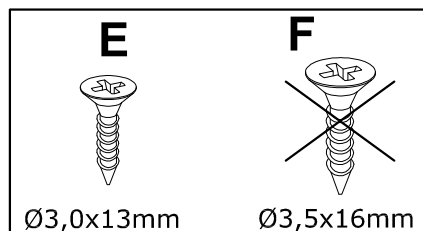
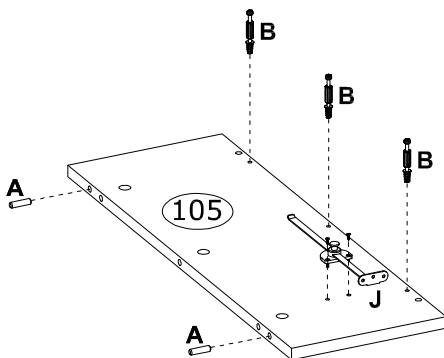
1

<b>A</b> $\varnothing 8 \times 30$ mm  x4 3989	<b>C</b> $\varnothing 6,5 \times 36,5$ mm  x3 4066	<b>G</b> $\varnothing 35$ mm , KR0  x2 67350	 
--	--	--	---


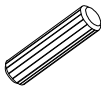
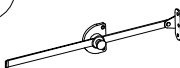

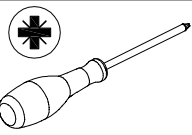


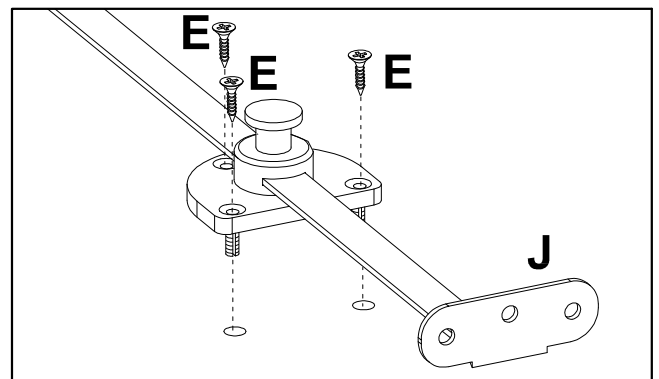
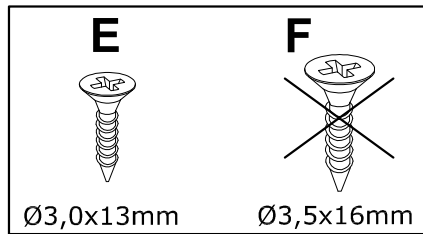
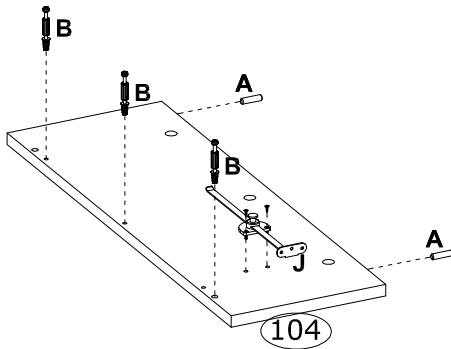
2

<b>C</b> $\varnothing 6,5 \times 36,5$ mm  x3 4066	<b>A</b> $\varnothing 8 \times 30$ mm  x2 3989	<b>J</b>  x1 74335	<b>E</b> $\varnothing 3,0 \times 13$ mm  x3 3912	 
--	--	--	--	--



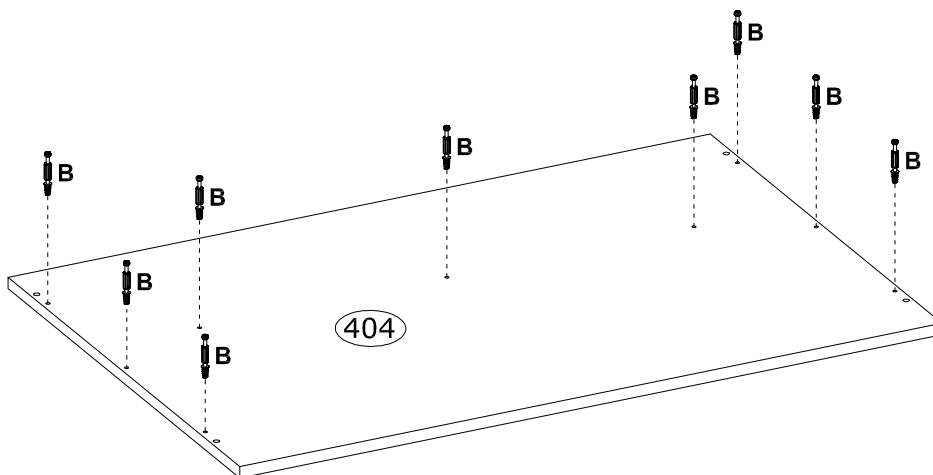
3

<b>C</b> Ø6,5x36,5 mm  x3 4066	<b>A</b> Ø8x30 mm  x2 3989	<b>J</b>  x1 74335	<b>E</b> Ø3,0x13 mm  x3 3912	
---	---	---	---	--


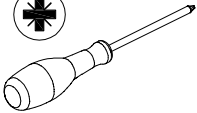


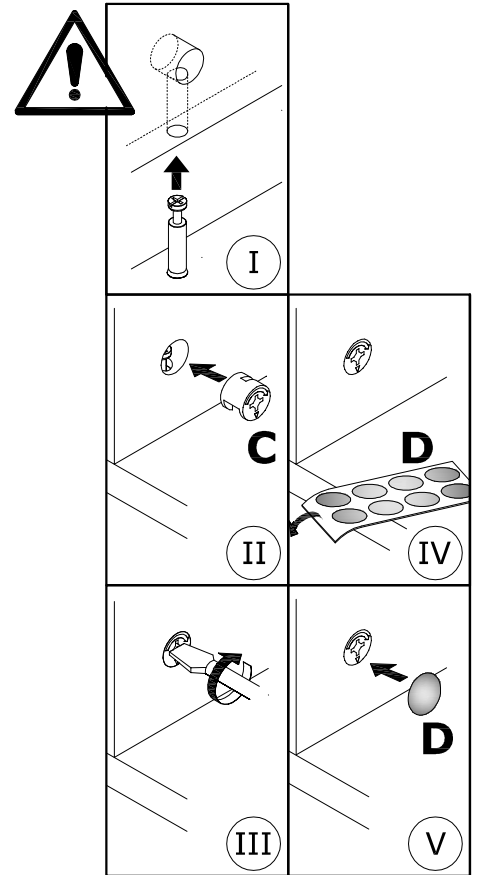
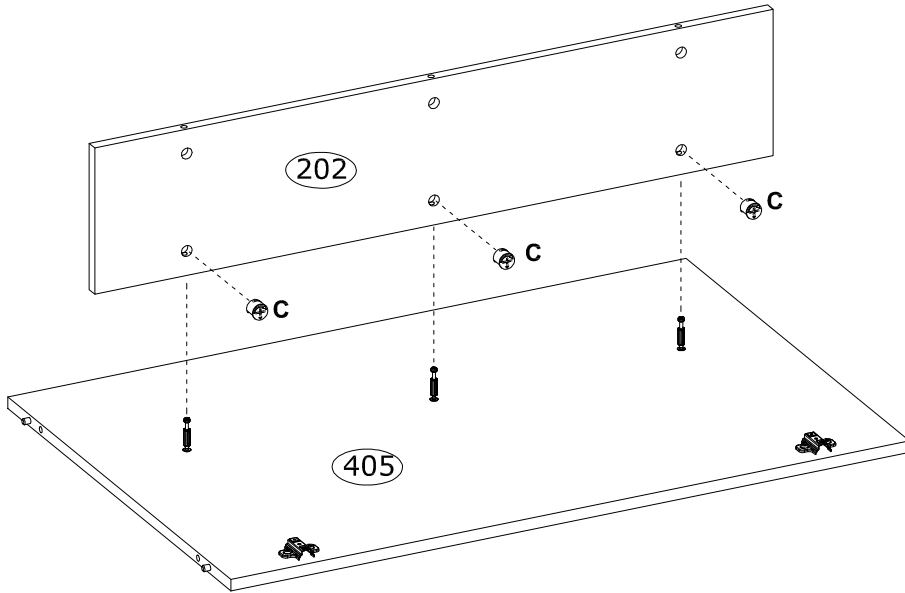
4

<b>C</b> Ø6,5x36,5 mm  x9 4066	
---	---




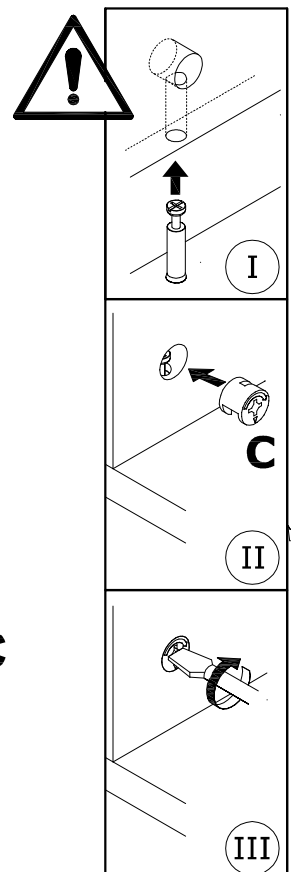
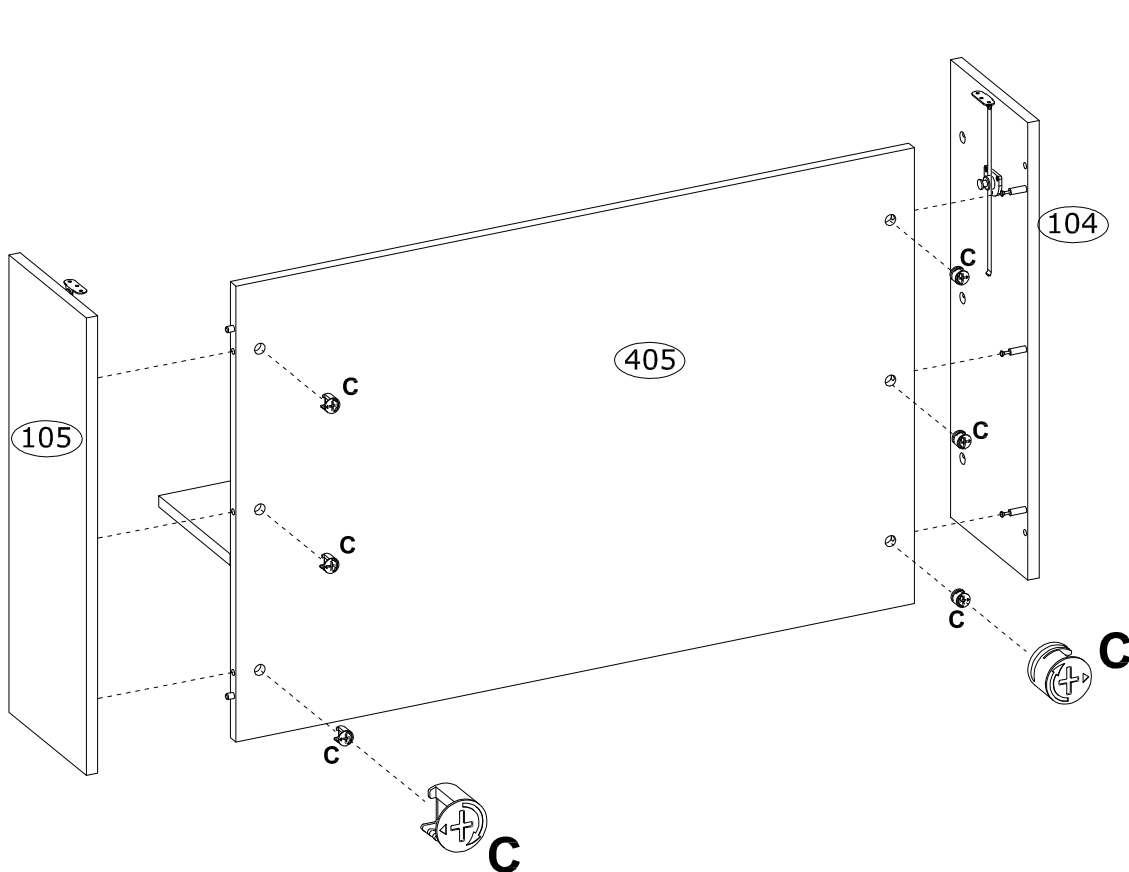
5

<b>C</b> Ø15x12 mm  x3 3996	<b>D</b> Ø20 mm  x3 136239	
--	---	--



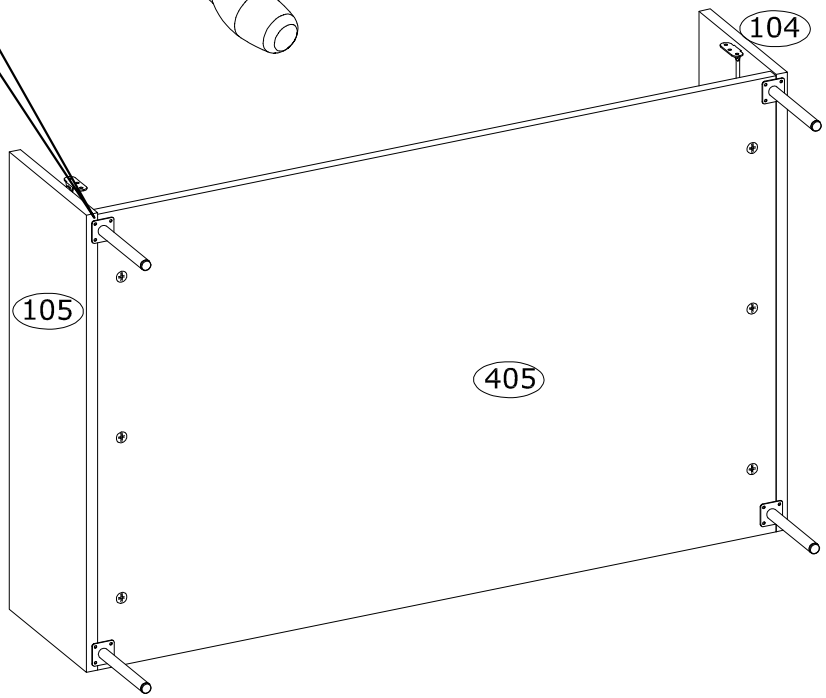
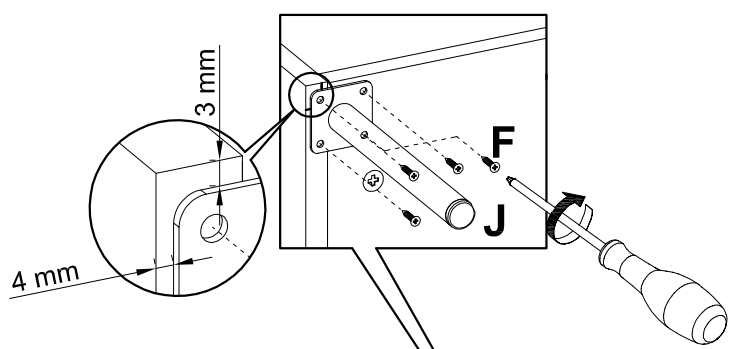
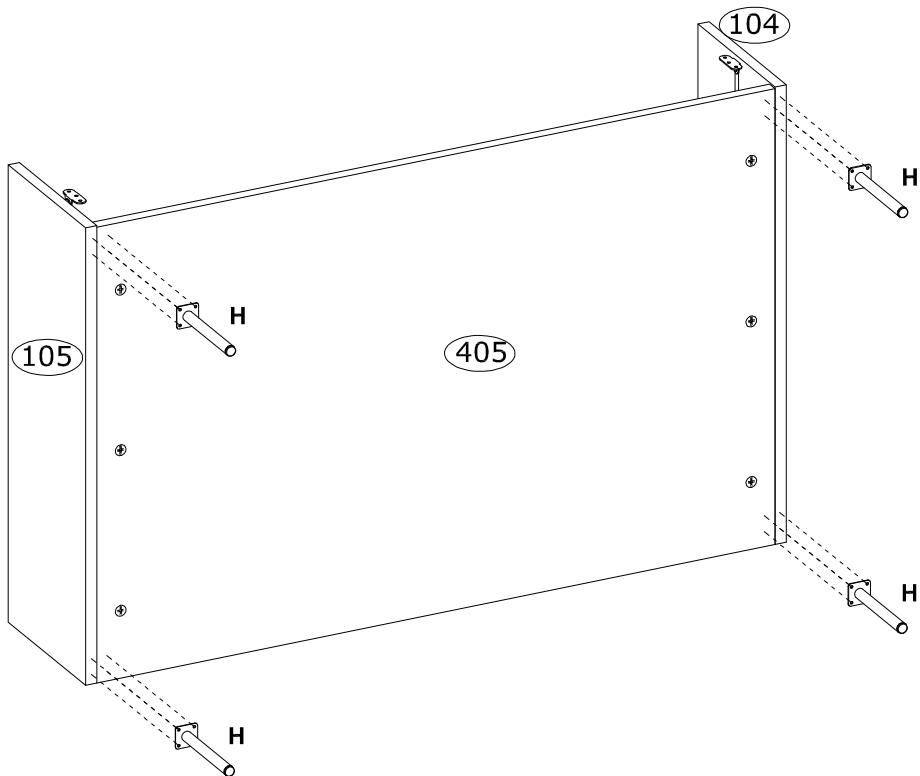
6

<b>C</b> Ø15x12 mm  x6 3996	
--	---



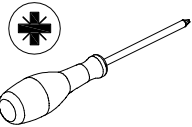


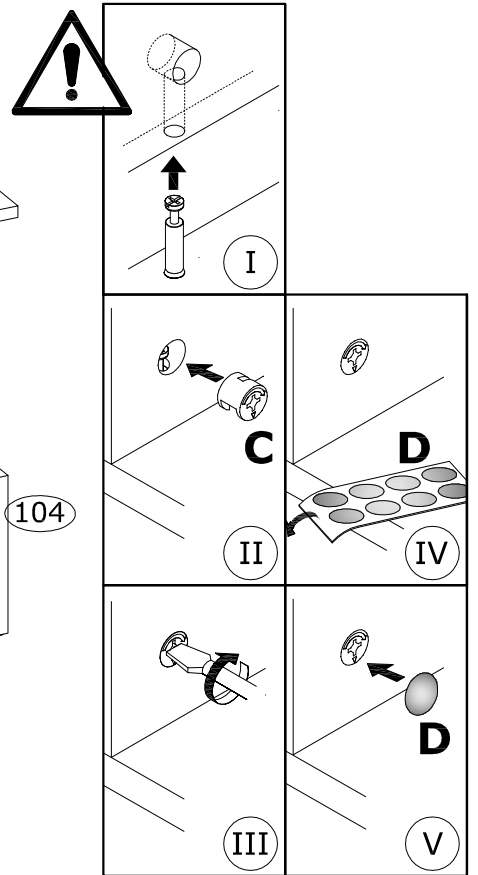
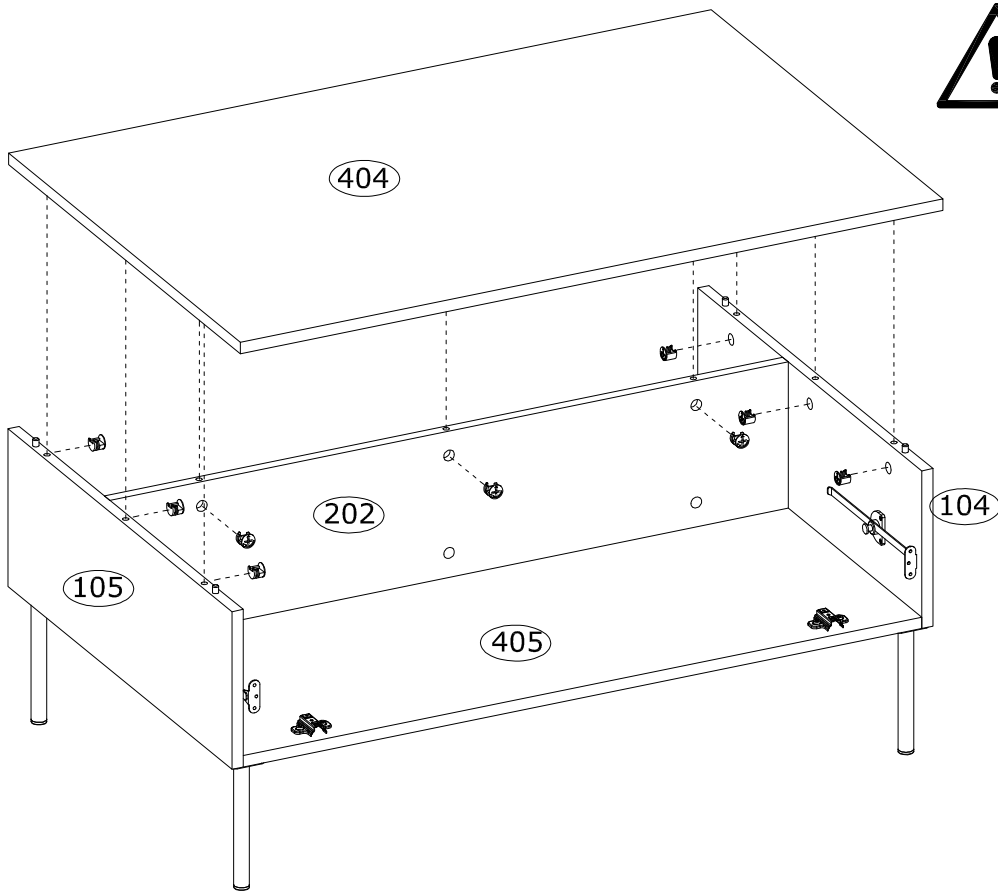
7

<b>H</b> Ø20, H-180 x4 232943	<b>F</b> Ø3,5x16 mm x16 3918	
--	---------------------------------------	--

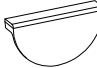
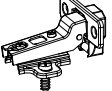

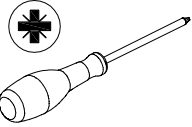


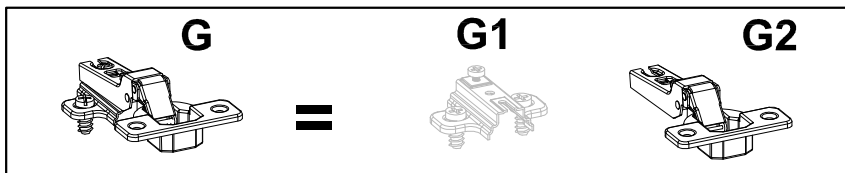
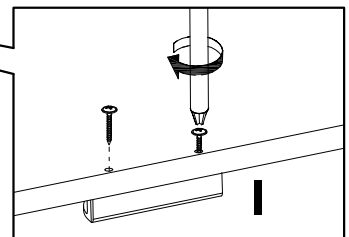
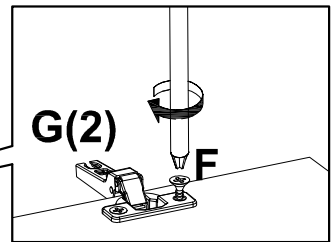
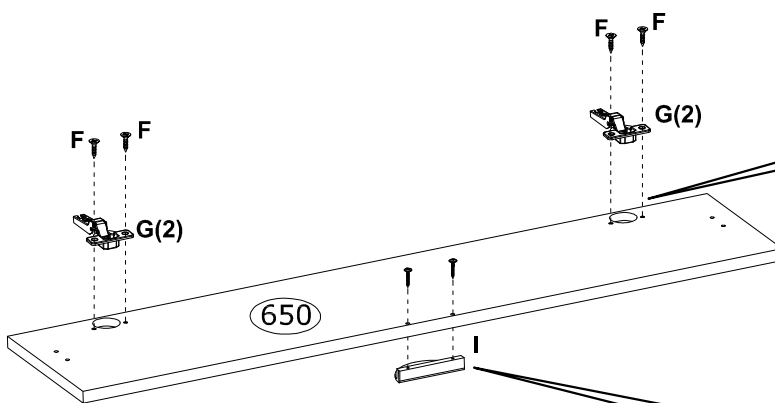
8

<b>C</b> Ø15x12 mm  x9 3996	<b>D</b> Ø20 mm  x9 136239	
--	---	--



9

<b>I</b> 96X48X20 mm  x1 236246	<b>G</b> Ø35 mm, KR8  x2 67350	<b>F</b> Ø3,5x16 mm  x4 3918	
--	---	---	---





10

**E**  
Ø3,0x13 mm  
x6  
3912

