

MH-201

MH-001

MH-001

MH-101

MH-100

MH-500

MH-500

MH-450

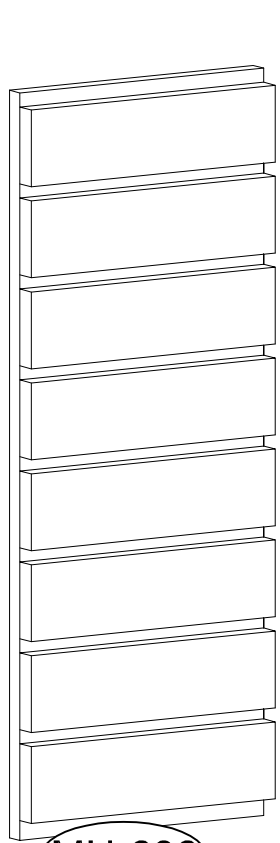
MH-450

MH-500

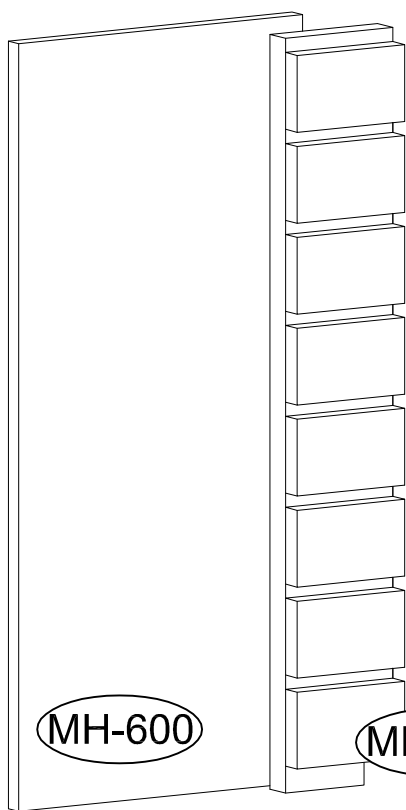
MH-500

MH-150

MH-200

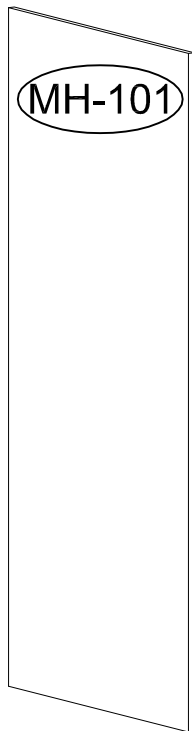
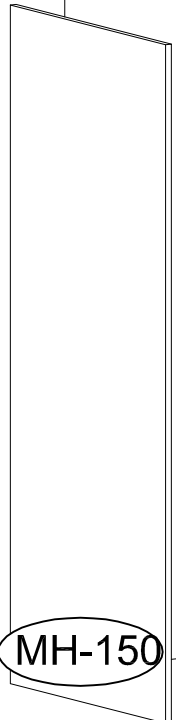
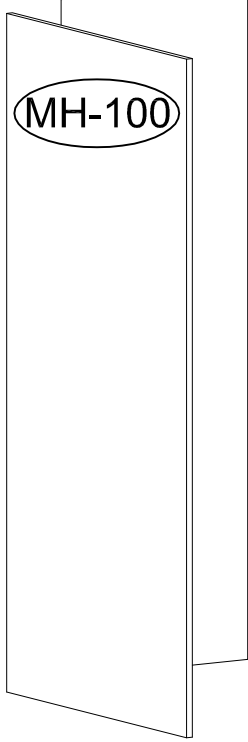
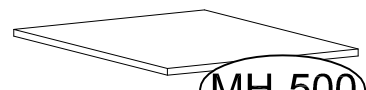


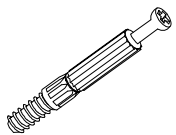
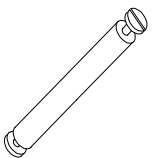
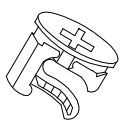

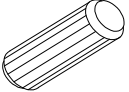
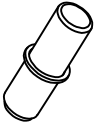
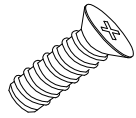

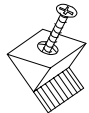
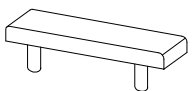
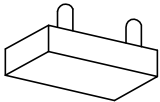
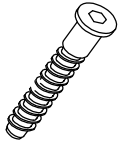
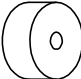

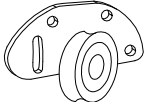
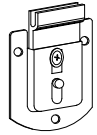
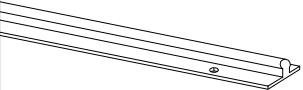
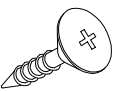
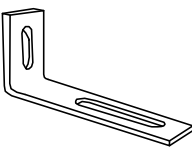
MH-606

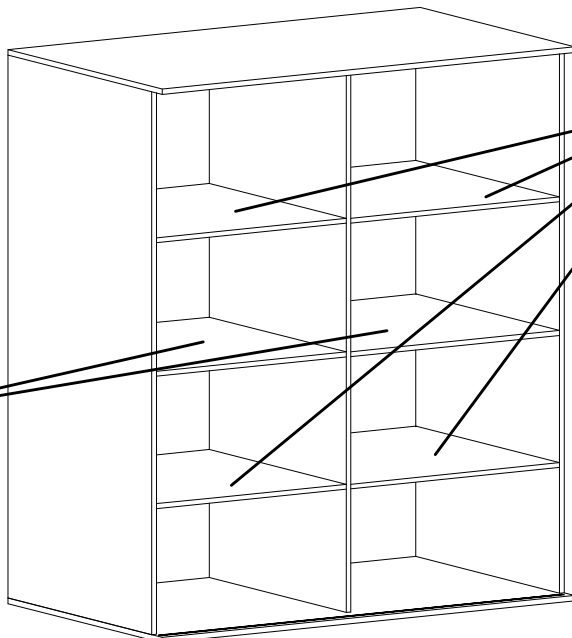
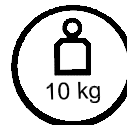
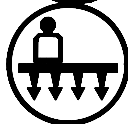
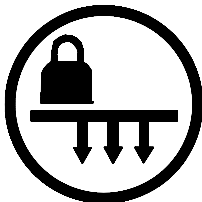


MH-600

MH-880

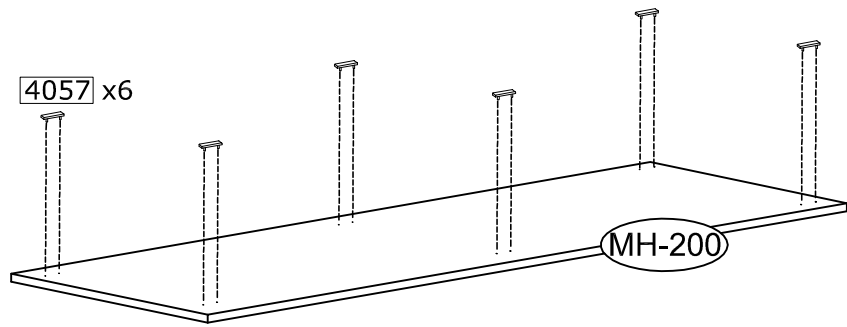
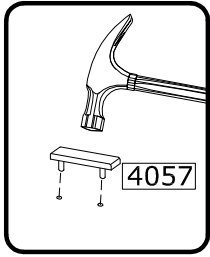


|  |  |   |  |
|--|--|---|--|
| <p>4066</p>  <p>Ø6.5x36.5mm x16</p> | <p>4060</p>  <p>x2</p>               | <p>3996</p>  <p>Ø15x16mm x20</p>  | <p>136236</p>  <p>Ø20 x20</p>     |
| <p>3989</p>  <p>Ø8x30mm x20</p>     | <p>4017</p>  <p>x16</p>             | <p>3879</p>  <p>Ø6.3x13mm x4</p>  | <p>3923</p>  <p>Ø4,0x16mm x32</p> |
| <p>4044</p>  <p>x24</p>             | <p>4057</p>  <p>x6</p>              | <p>IN01112</p>  <p>H-20 mm x1</p> | <p>3884</p>  <p>x6</p>            |
| <p>IN01032</p>  <p>H-18mm x6</p>  | <p>3984</p>  <p>4 mm x1</p>        | <p>IN01007</p>  <p>x4</p>        | <p>IN01006</p>  <p>x4</p>        |
| <p>83655</p>  <p>L-1166mm x4</p>   | <p>3912</p>  <p>Ø3,0x13mm x16</p> | <p>71900</p>  <p>x2</p>         |  |



# 1

4057  
x6

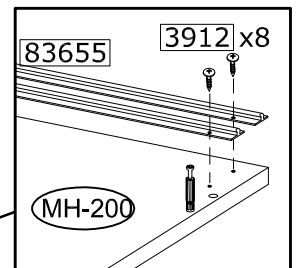
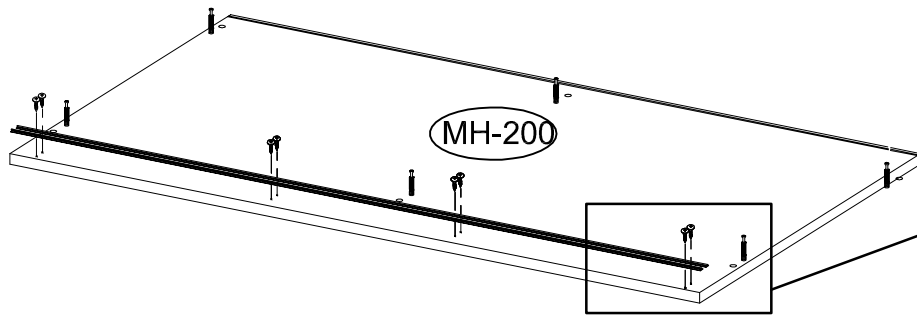
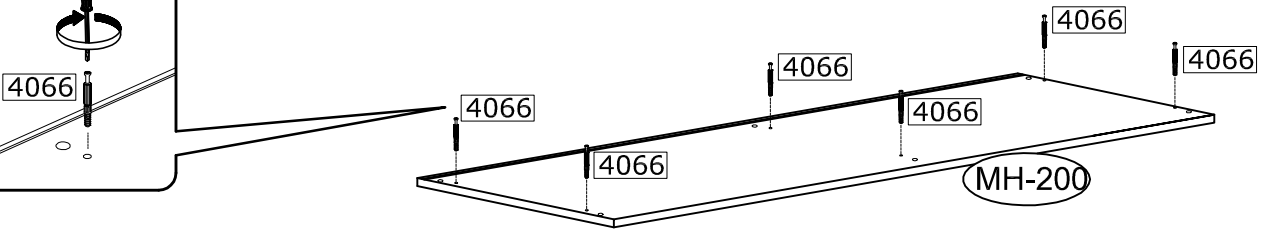
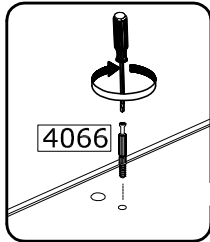


# 2

4066  
x6

83655  
x2

3912  
3,0X13  
x8

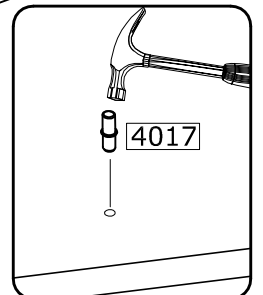
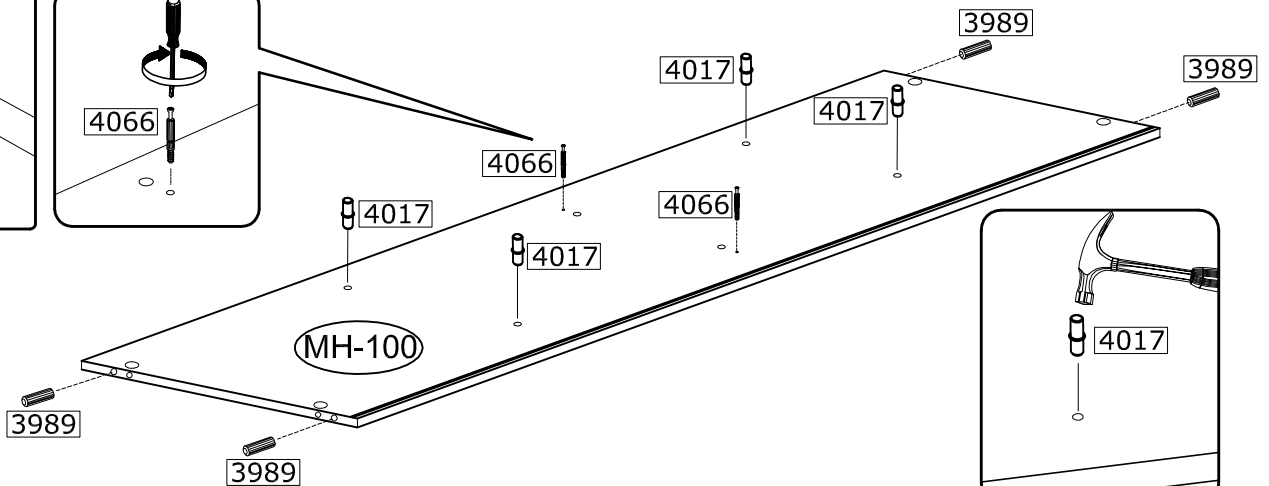
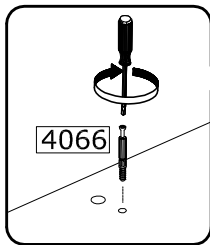
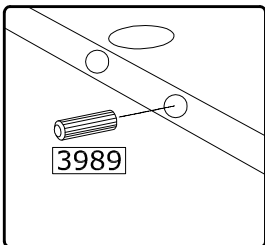
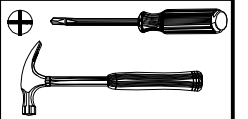


# 3

4066  
x2

3989  
x4

4017  
x4

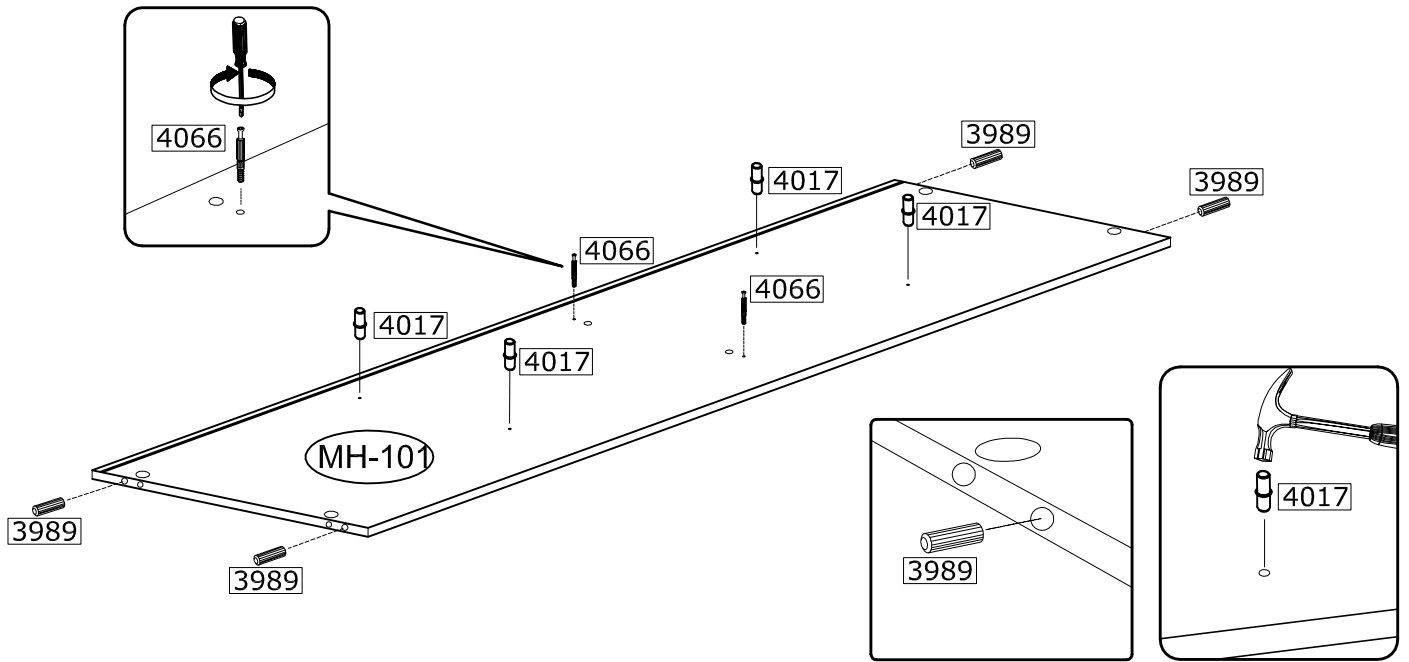


# 4

4066  
x2

3989  
x4

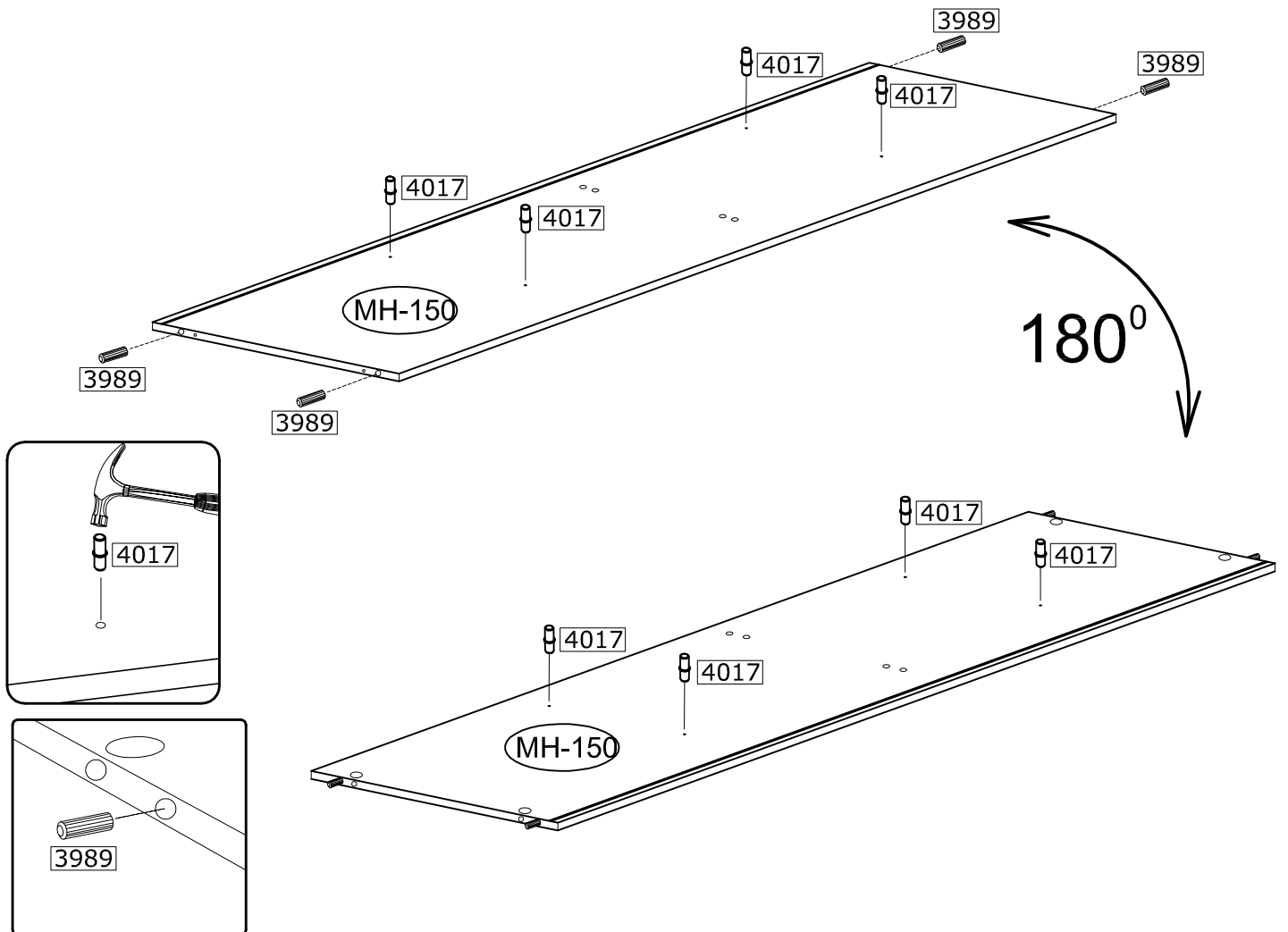
4017  
x4



# 5

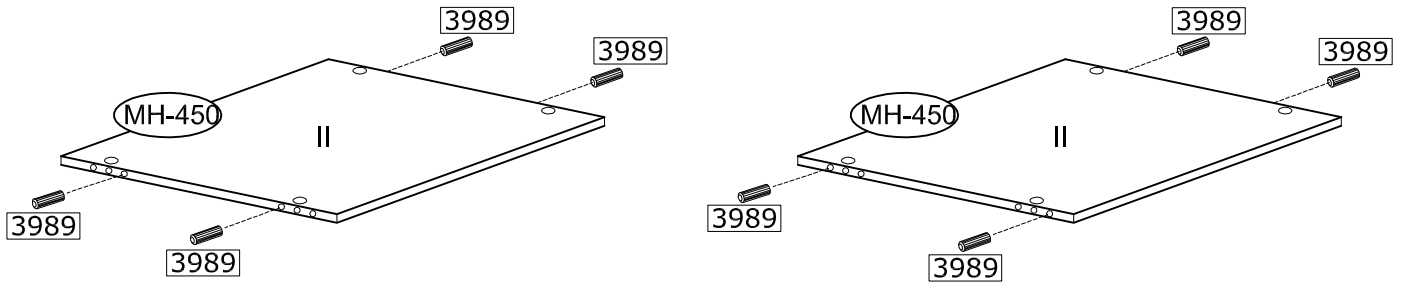
3989  
x4

4017  
x8



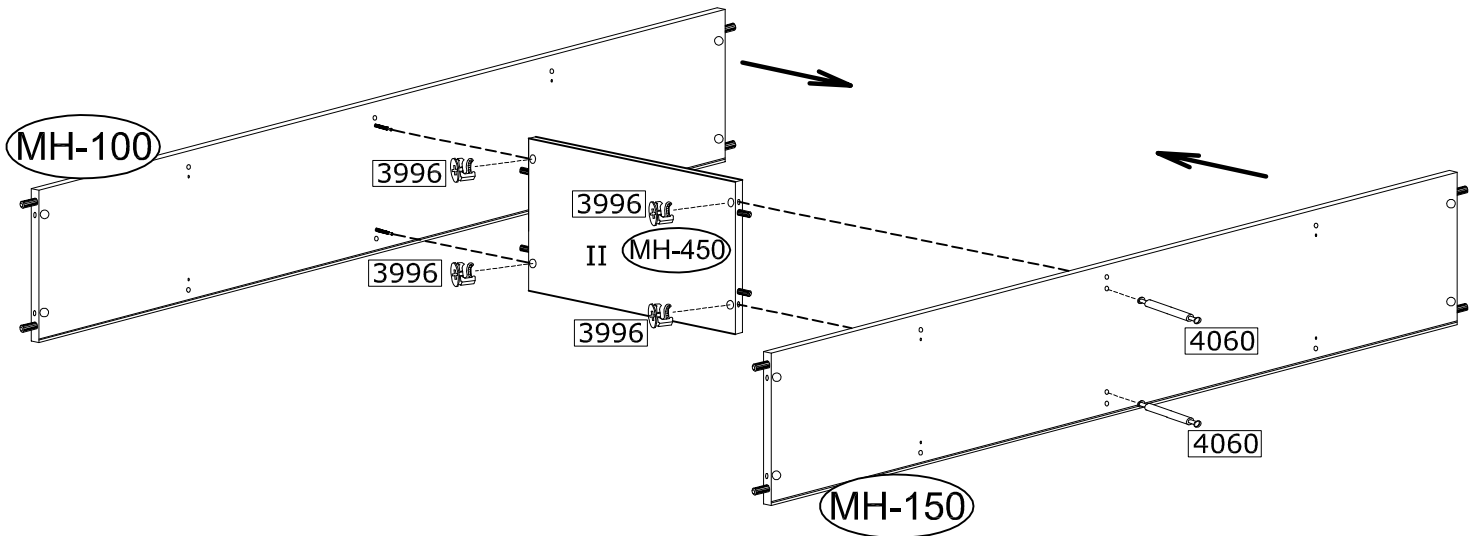
# 6

|  |  |  |
|--|--|--|
| 3989<br><br>x4 |  |  |
|--|--|--|



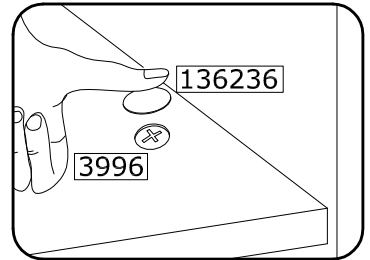
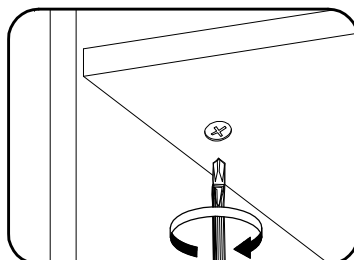
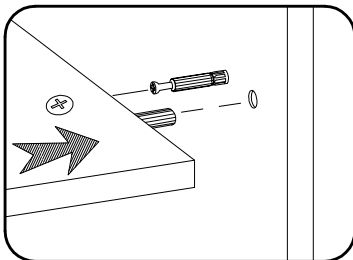
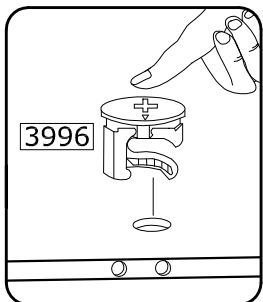
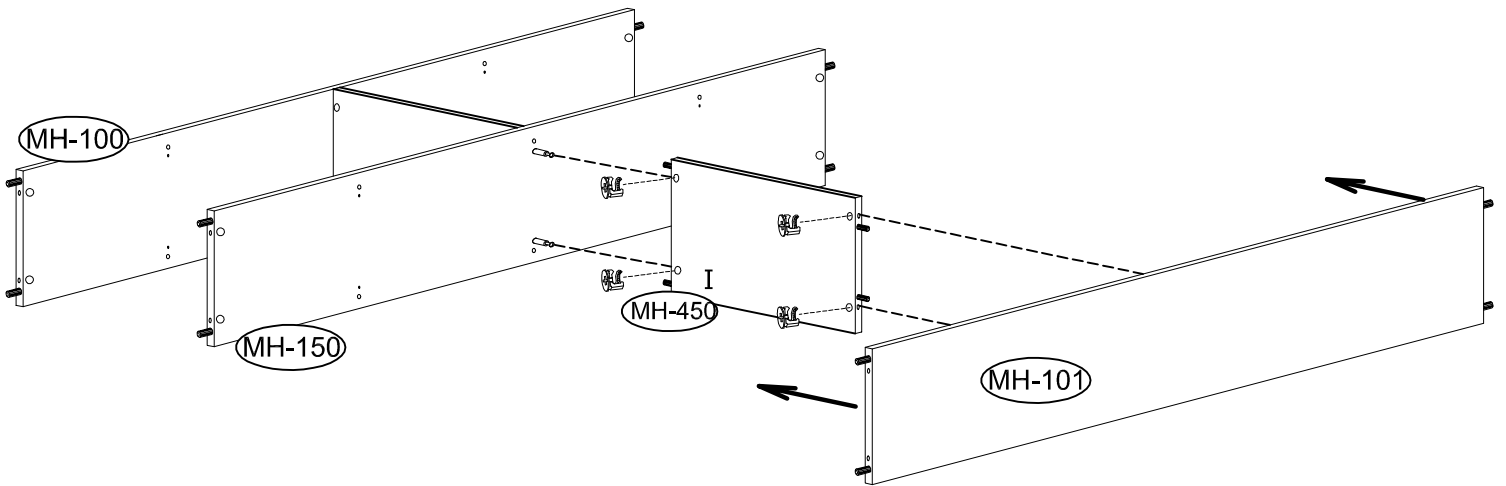
# 7

|   |   |   |   |
|---|---|---|---|
| 3996<br><br>x4 | 136236<br><br>x4 | 4060<br><br>x2 |  |
|---|---|---|---|



# 8

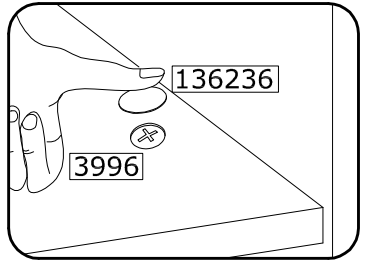
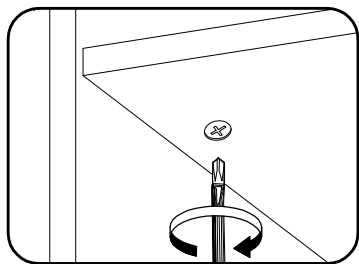
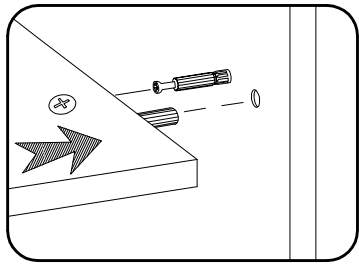
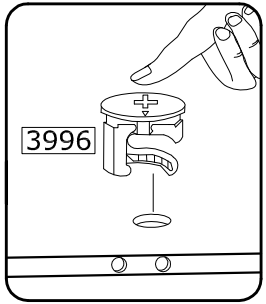
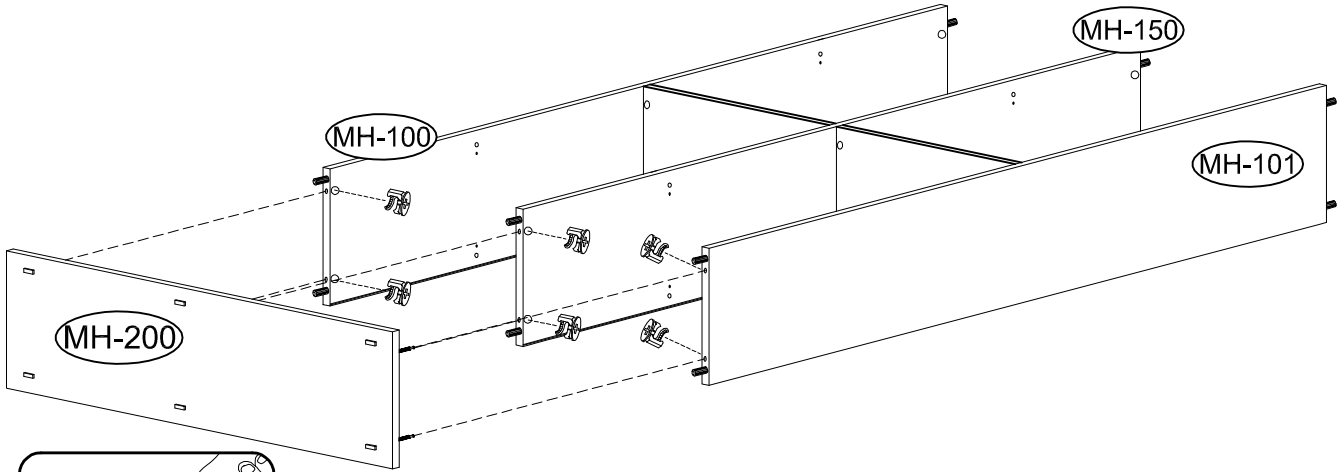
|   |   |  |   |
|---|---|--|---|
| 3996<br><br>x4 | 136236<br><br>x4 |  |  |
|---|---|--|---|



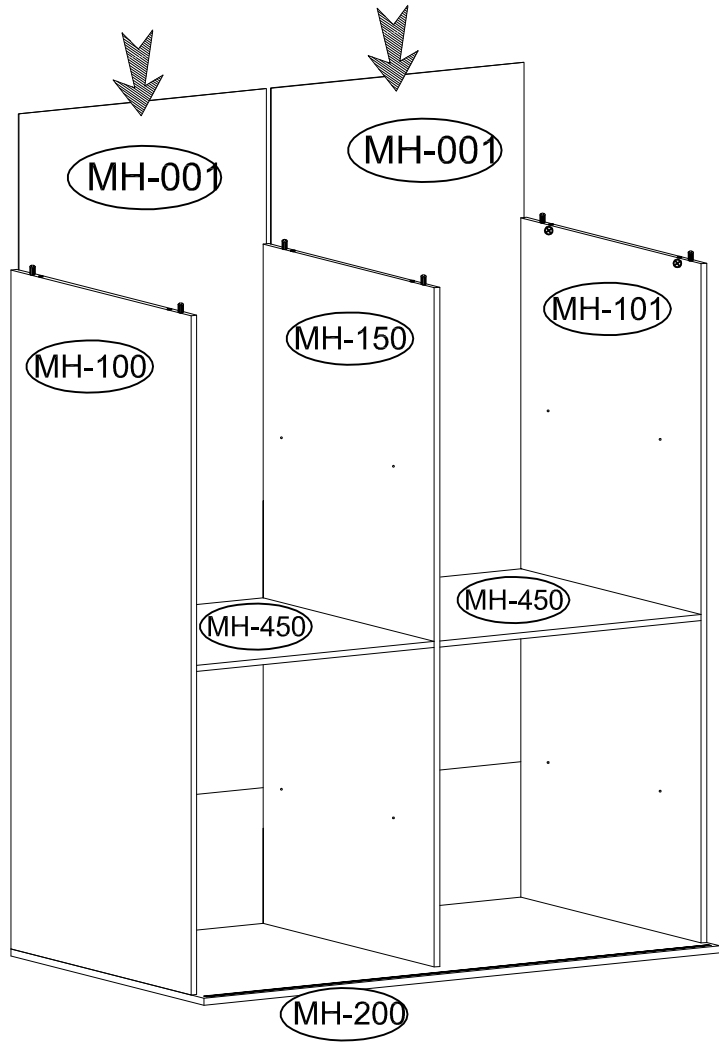
# 9

3996  
x6

136236  
x6



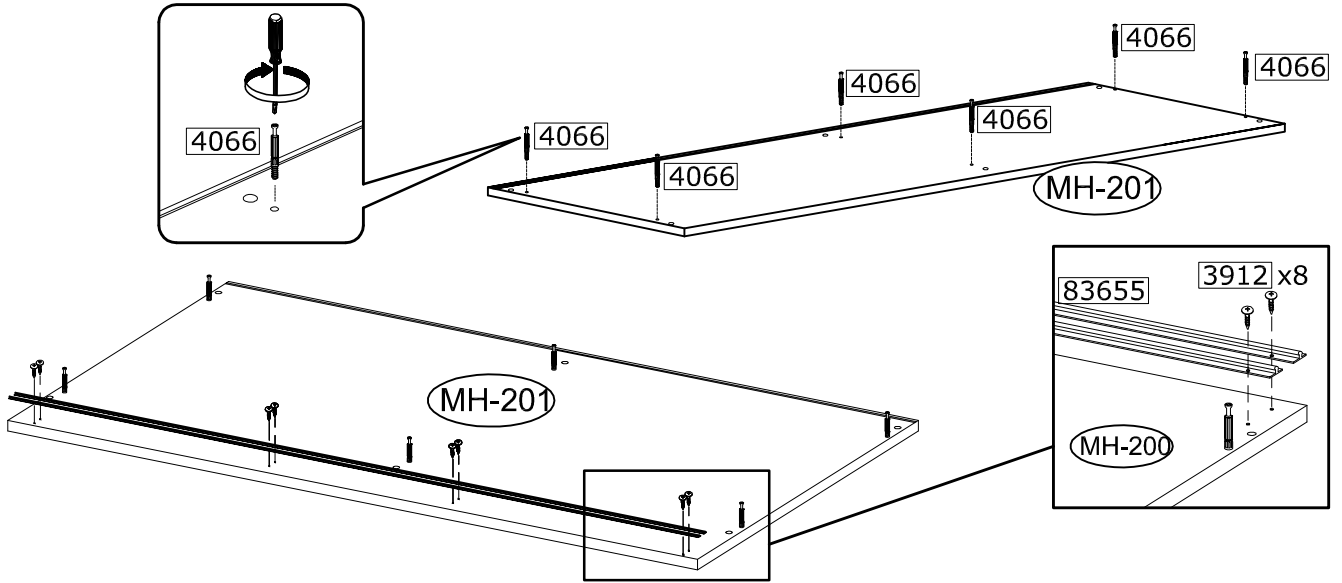
# 10





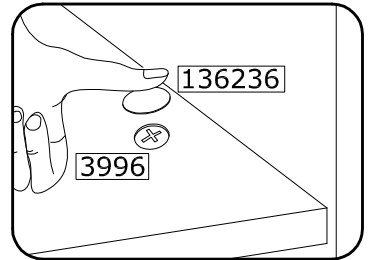
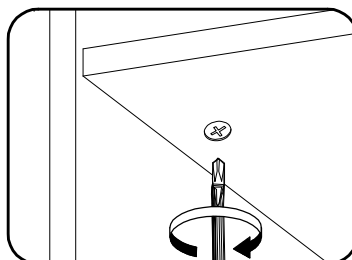
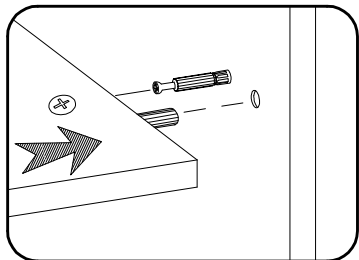
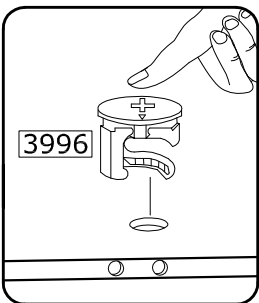
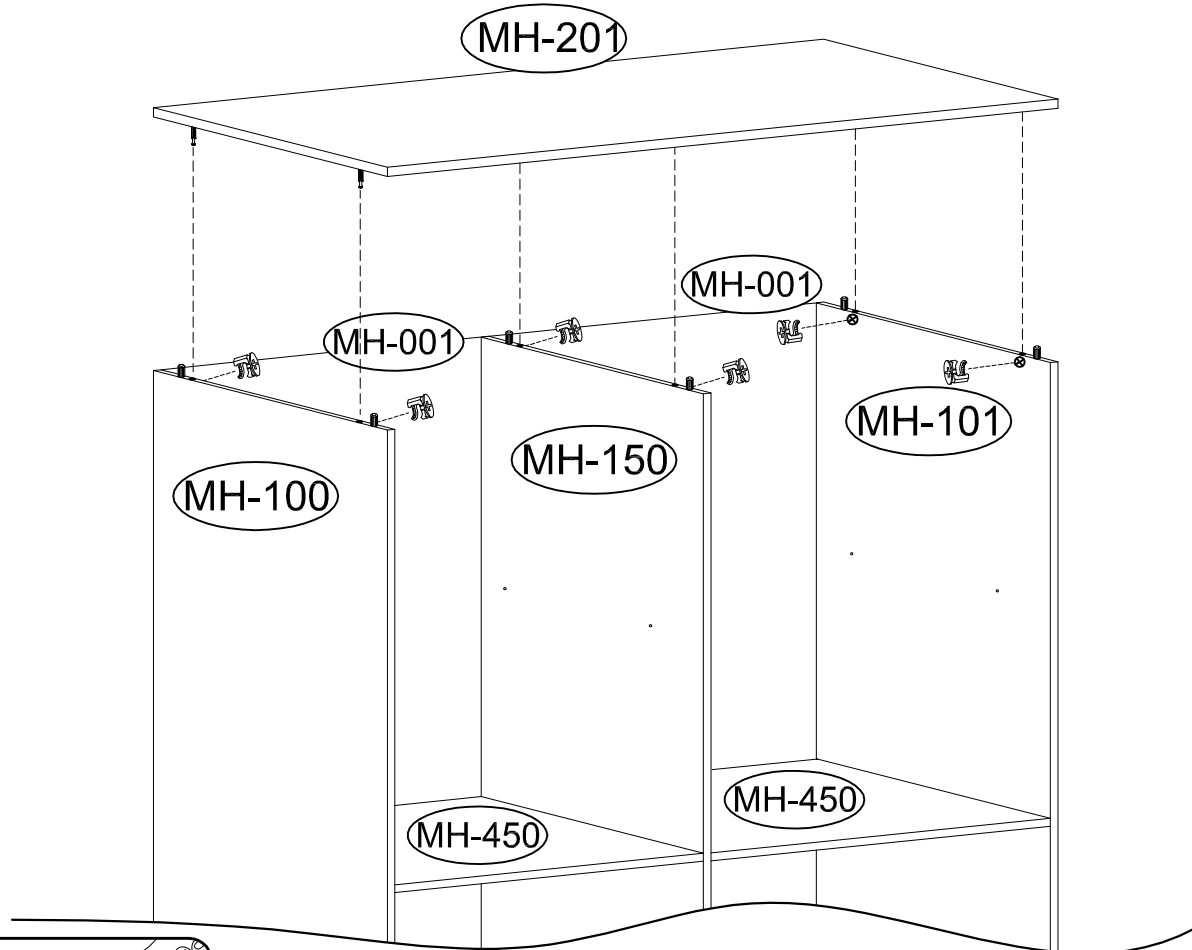
# 11

|  |   |   |  |
|--|---|---|--|
| 4066<br><br>x6 | 83655<br><br>x2 | 3912<br><br>3,0X13 x8 |  |
|--|---|---|--|




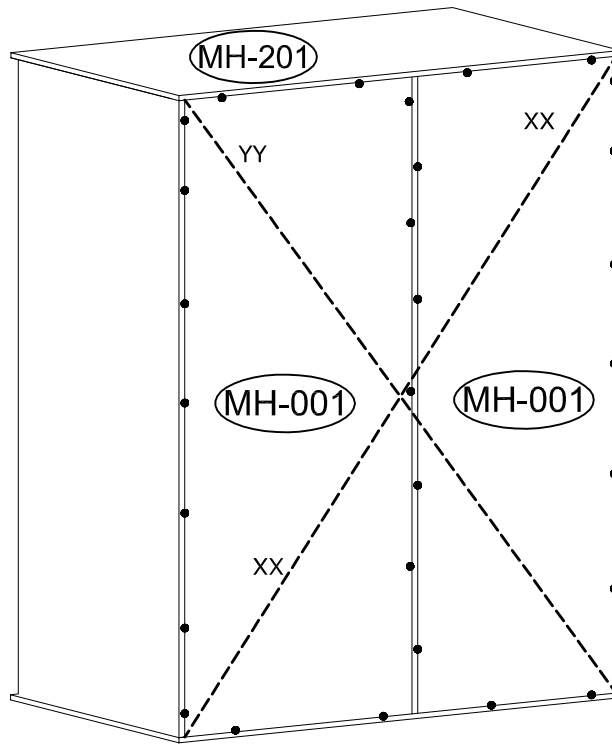
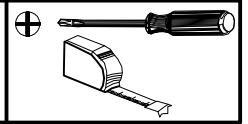
# 12

|   |   |   |
|---|---|---|
| 3996<br><br>x6 | 136236<br><br>x6 |  |
|---|---|---|




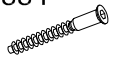
# 13

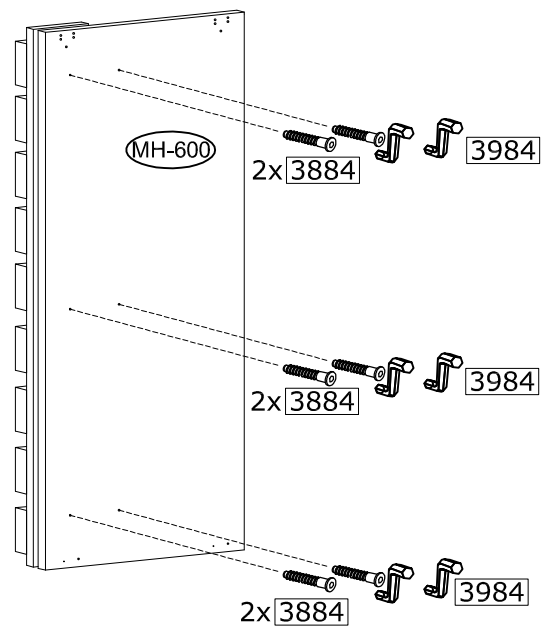
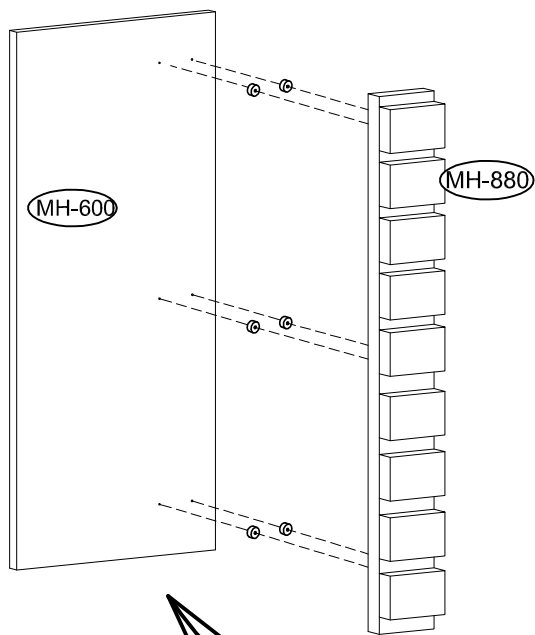
4044  
 x24



# 14

IN01032  
 x6

3884  
 x6



180°

# 15

IN01006



x2

IN01007



x2

3923

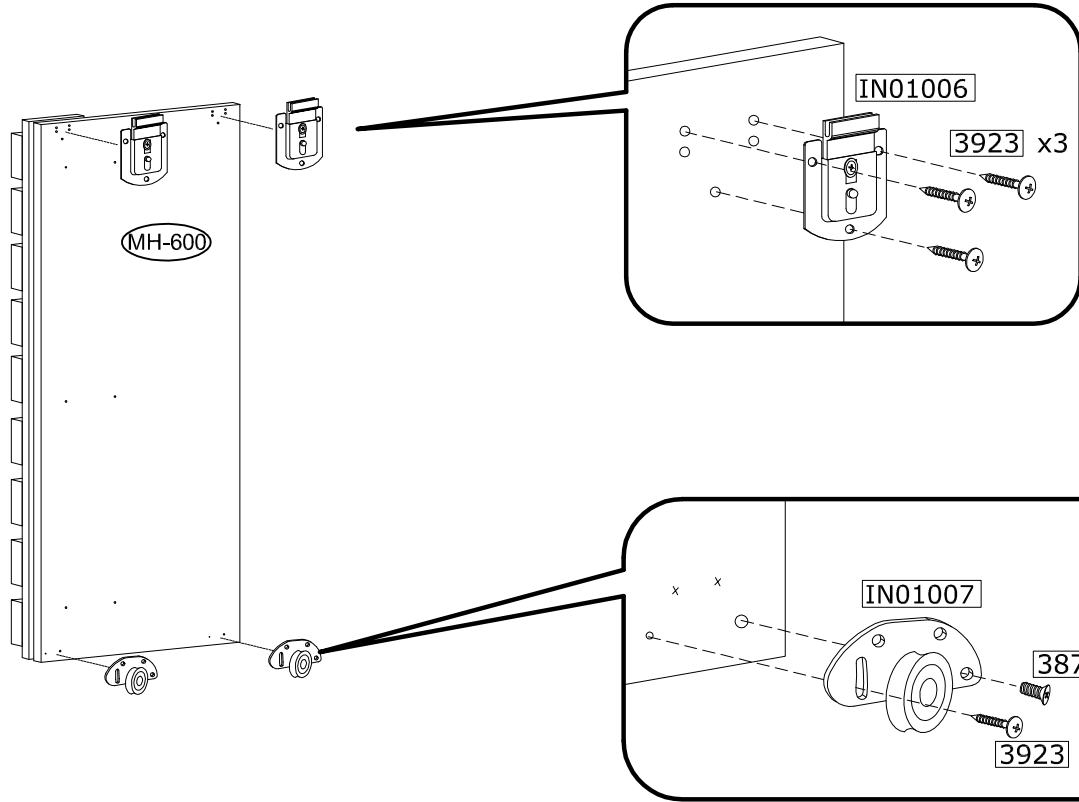


x8

3879



x2



# 16

IN01006



x2

IN01007



x2

3923



x8

3879

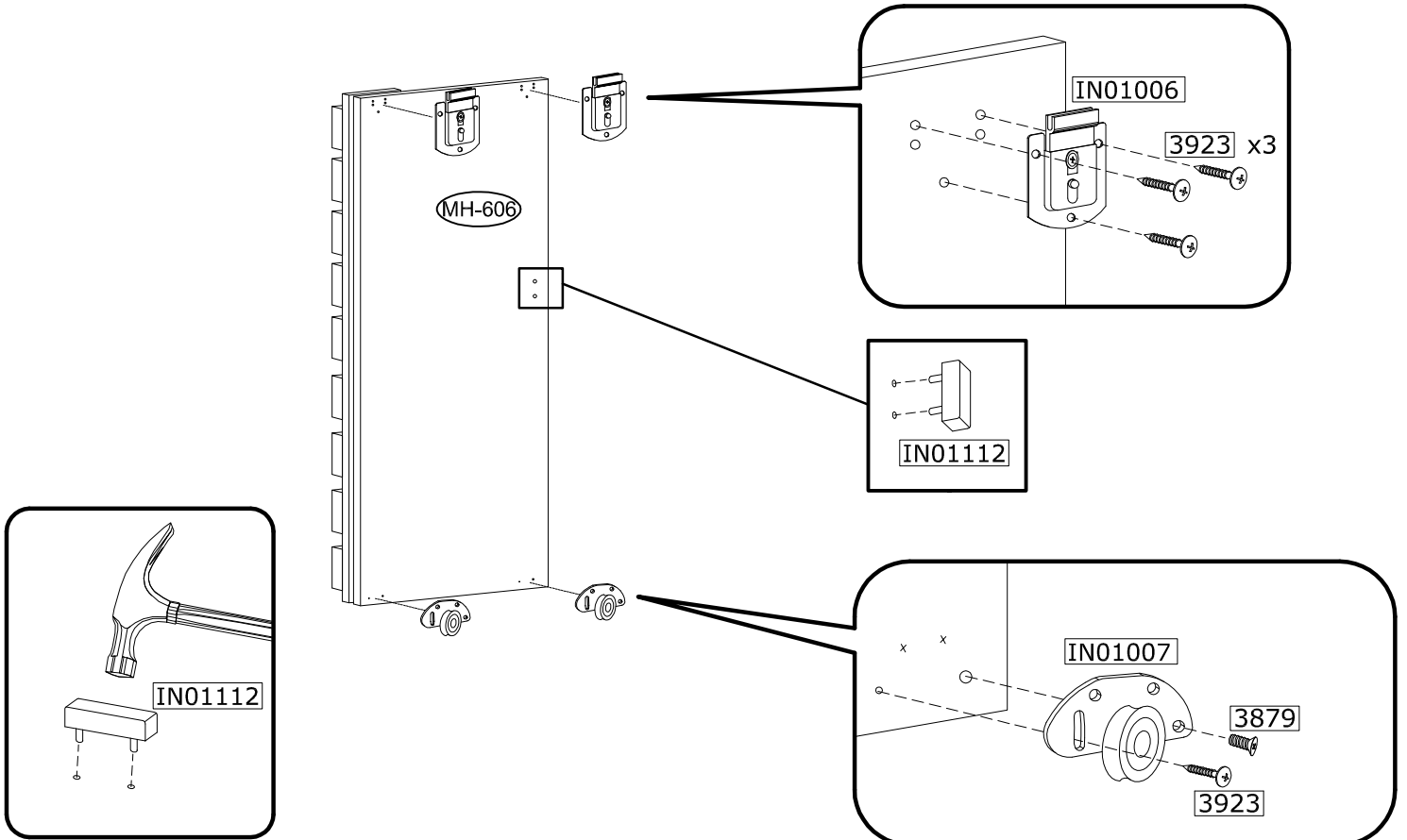


x2

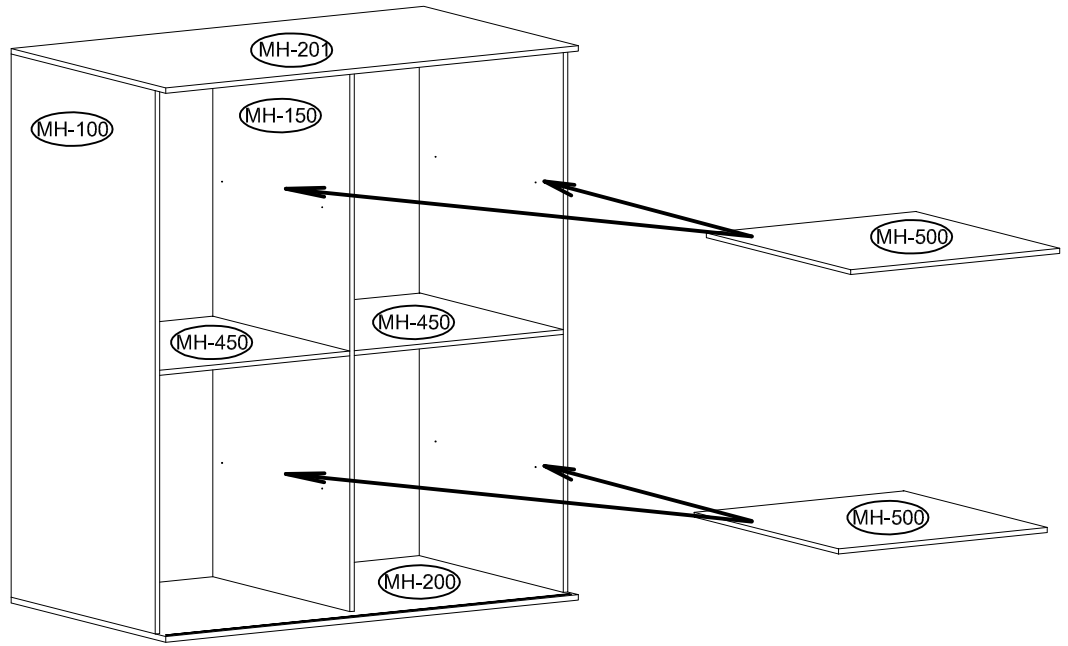
IN01112



x1

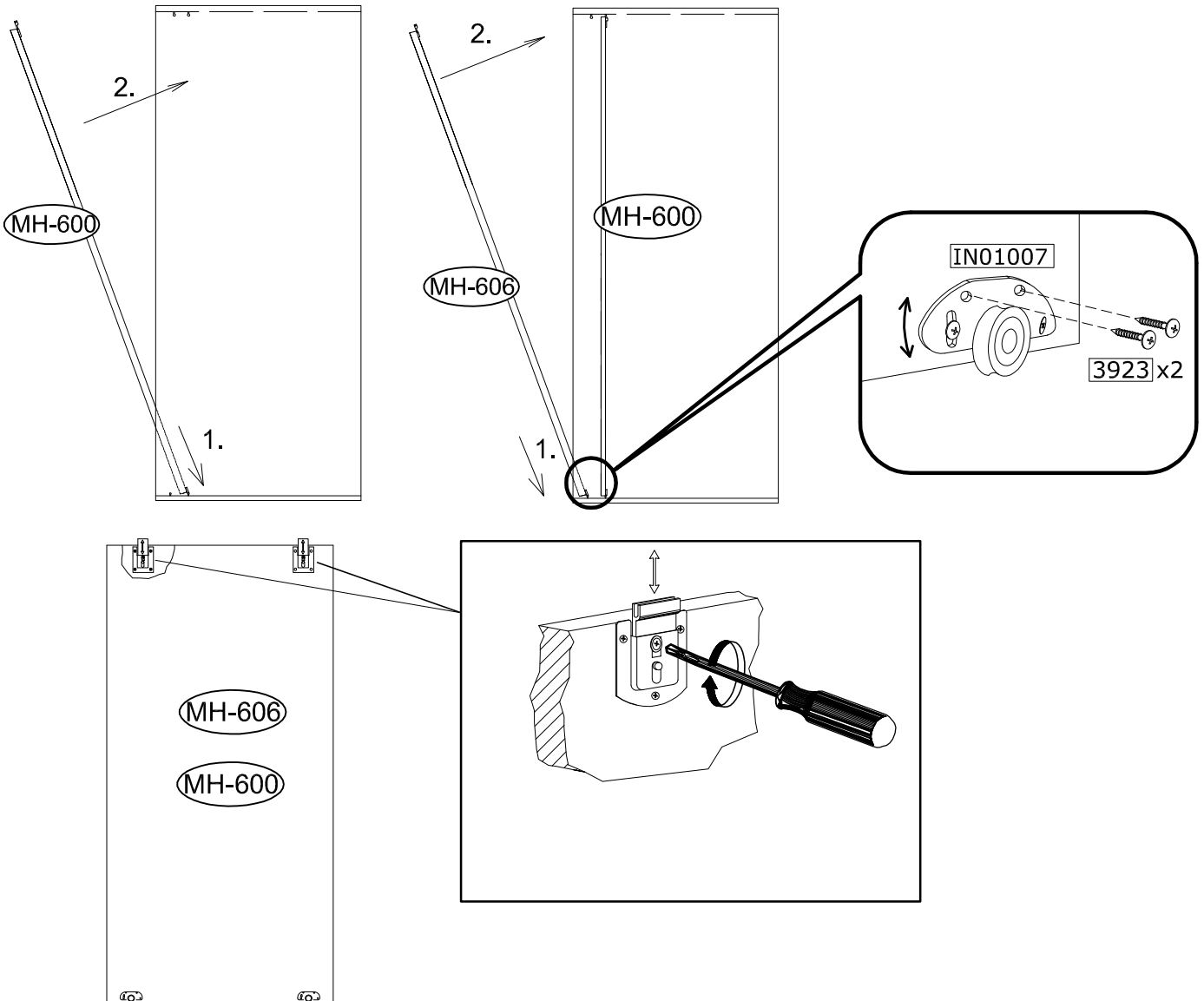


# 17



# 18

3923



# 19

71900



x2

3923



x4

