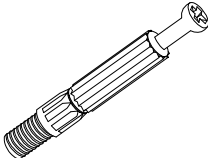

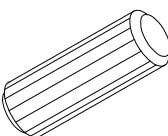
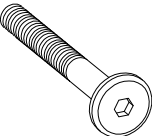

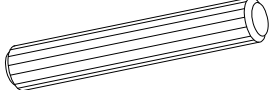

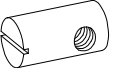
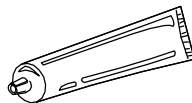
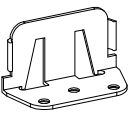
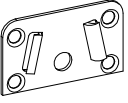
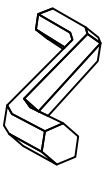
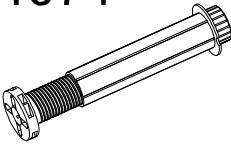
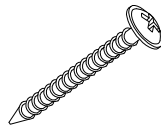
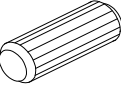
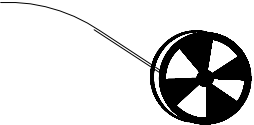






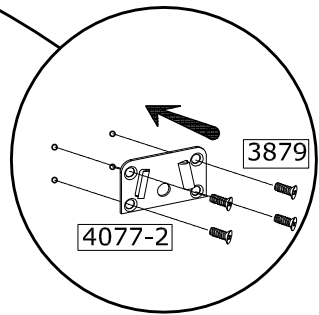
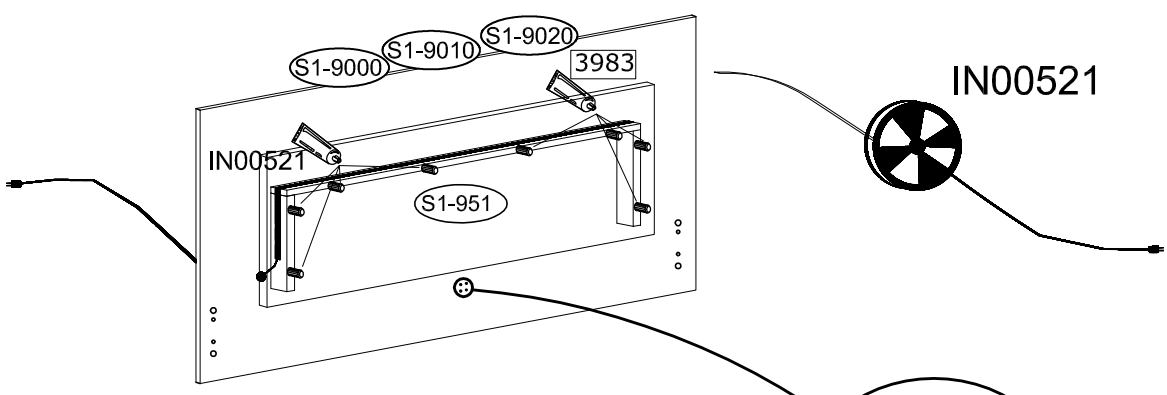
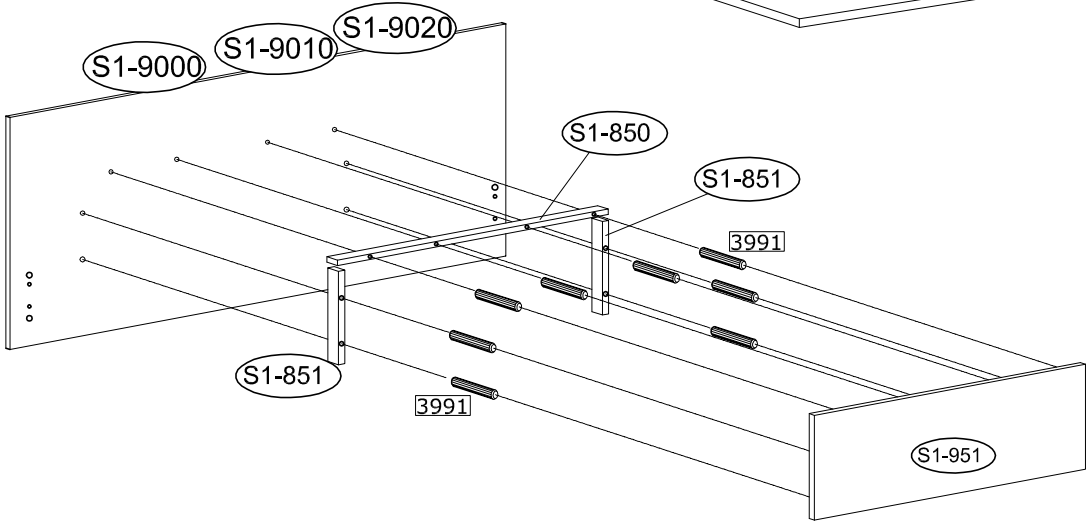
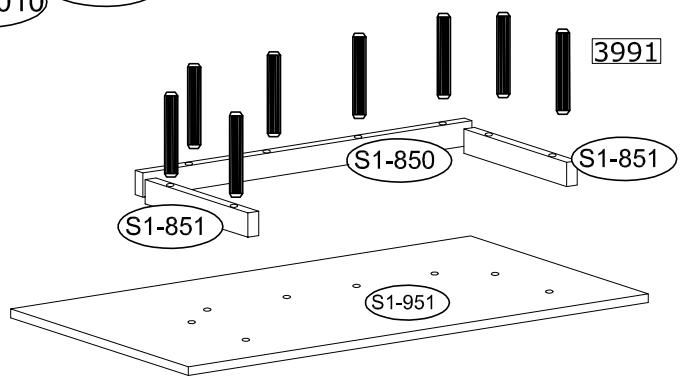
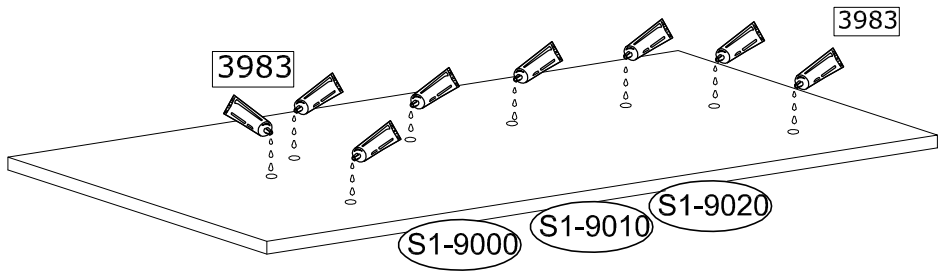


<p><b>4065</b></p>  <p>M6x36,5 mm <b>x4</b></p>	<p><b>3997</b></p>  <p>Ø15x17 mm <b>x4</b></p>	<p><b>3992</b></p>  <p>Ø10x35 mm <b>x8</b></p>	<p><b>146787</b></p>  <p>M4,0x8,0 mm <b>x4</b></p>
<p><b>3920</b></p>  <p>Ø3,5x25 mm <b>x6</b></p>	<p><b>3991</b></p>  <p>Ø8x50 mm <b>x8</b></p>	<p><b>3879</b></p>  <p>Ø6,3x13 mm <b>x8</b></p>	<p><b>3939</b></p>  <p>M6,0x16,0 mm <b>x4</b></p>
<p><b>3983</b></p>  <p>10 g <b>x2</b></p>	<p><b>4077-1</b></p>  <p>69x39x32 mm <b>x2</b></p>	<p><b>4077-2</b></p>  <p>69x40x7 mm <b>x2</b></p>	<p><b>3984</b></p>  <p>4.0 mm <b>x1</b></p>
<p><b>84071</b></p>  <p>L-150~170 mm <b>x2</b></p>	<p><b>3897</b></p>  <p>Ø4,0x45 mm <b>x16</b></p>	<p><b>3989</b></p>  <p>Ø8x30 mm <b>x10</b></p>	<p><b>IN00521</b></p>  <p><b>x1</b></p>

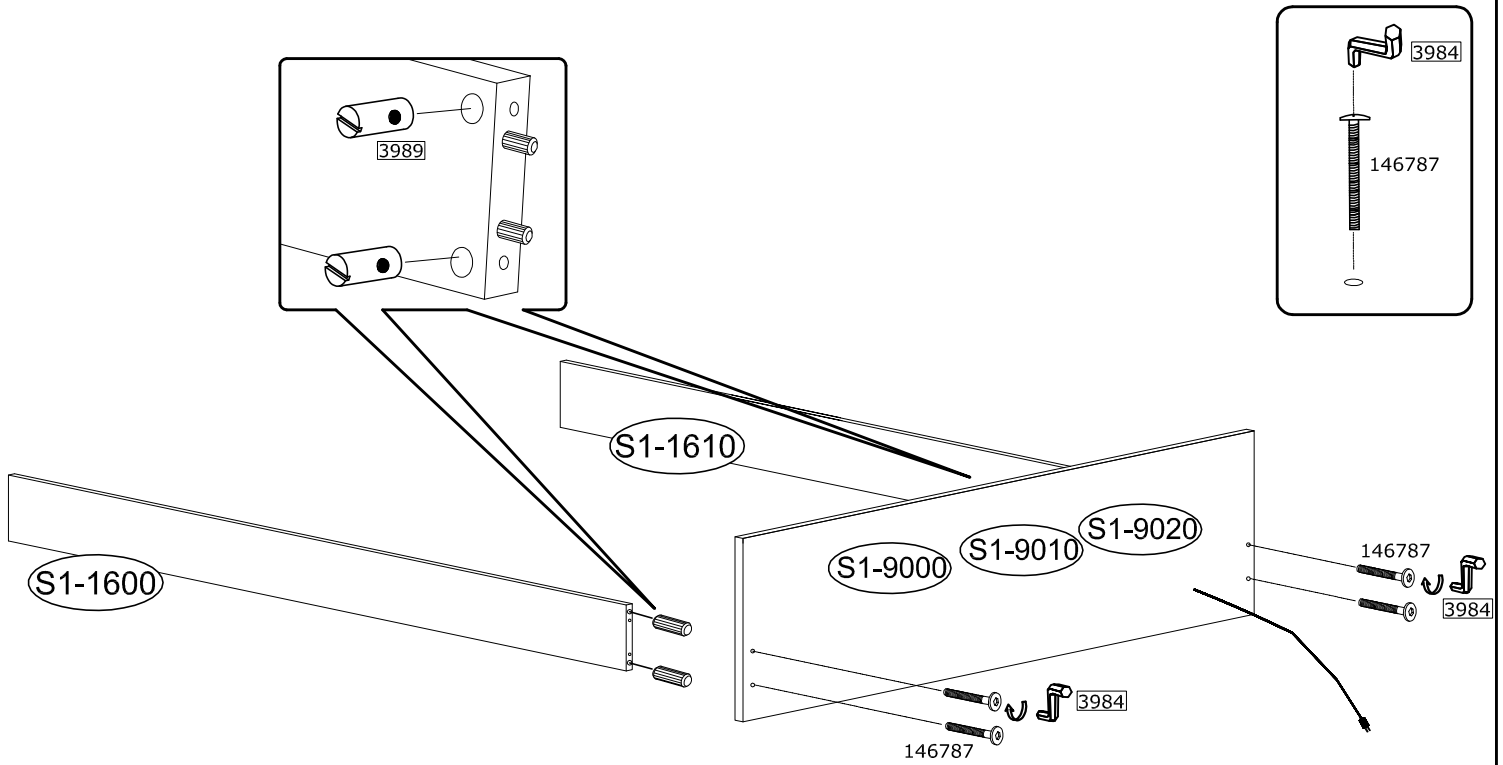
# 1

 3991 x8	 3983 x2	 3989 x1	 3879 x4	
 IN00521 x1				



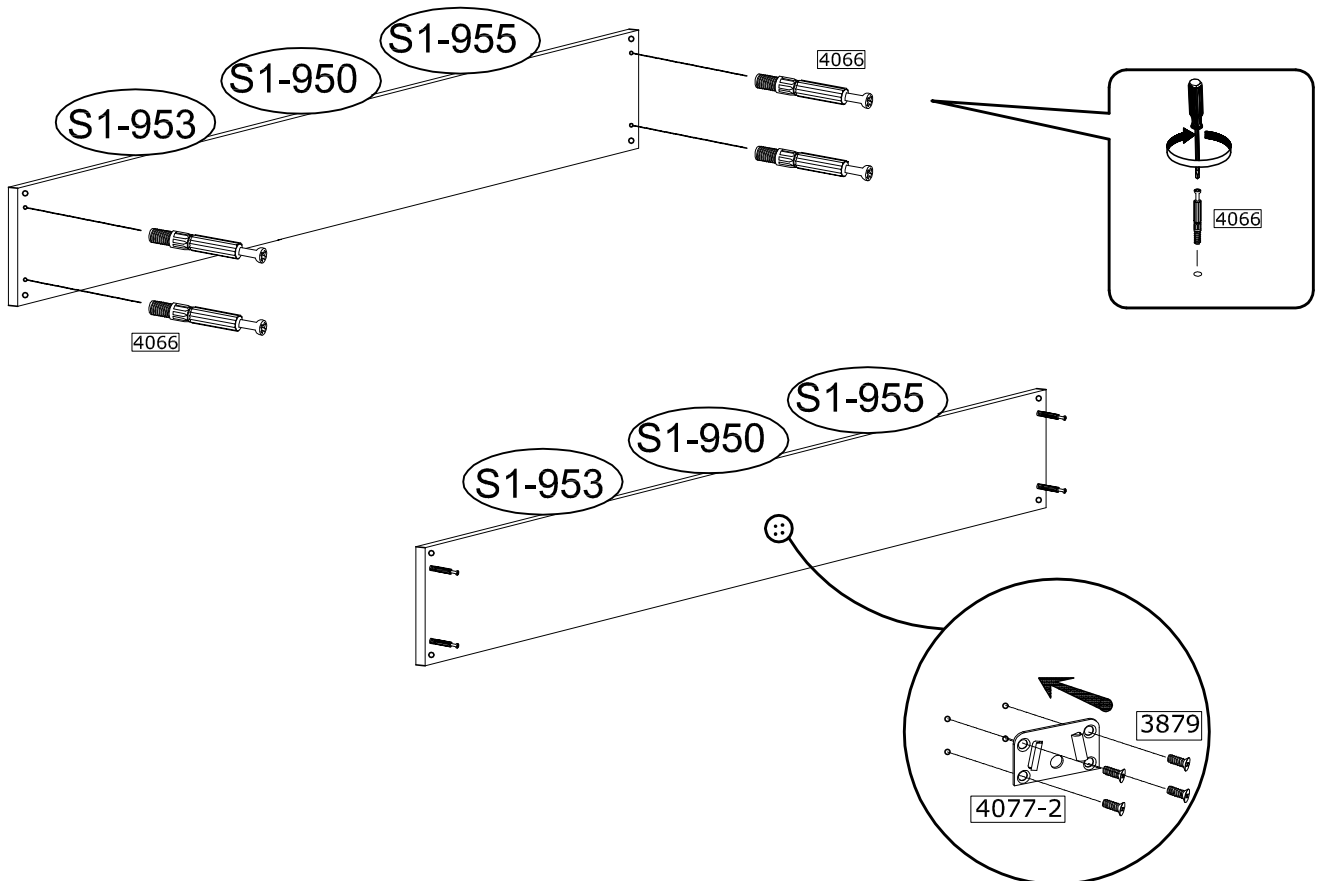
# 2

3939 x4	146787 x4	3984 x1	3992 x4		
------------	--------------	------------	------------	--	--

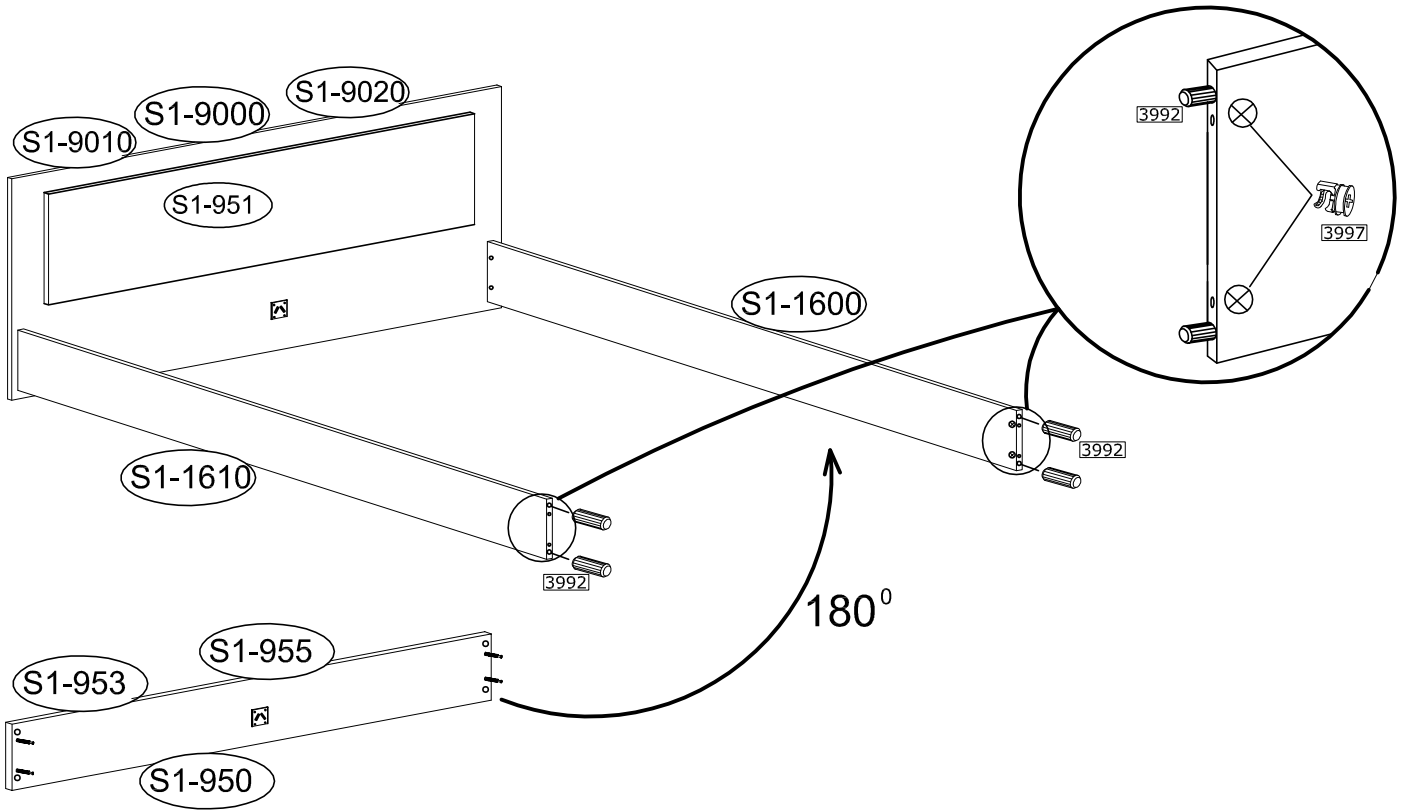


# 3

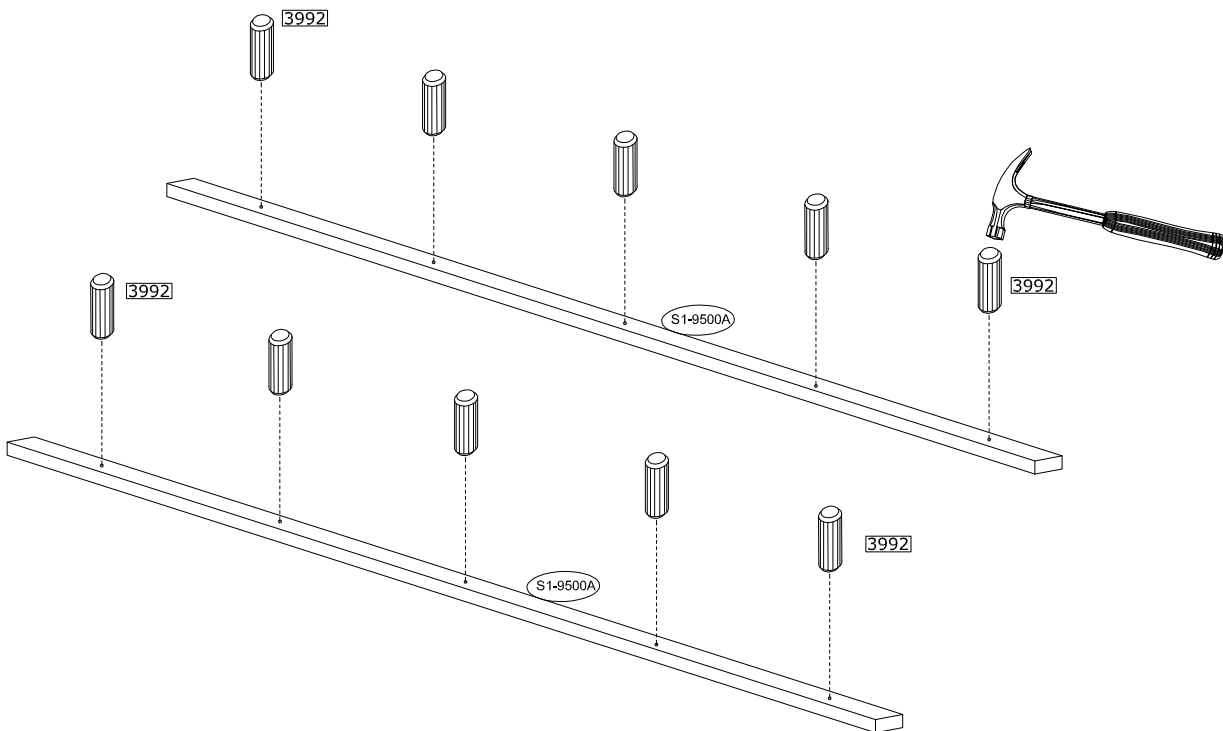
4066 x4	3989 x1	3879 x4		
------------	------------	------------	--	--



# 4

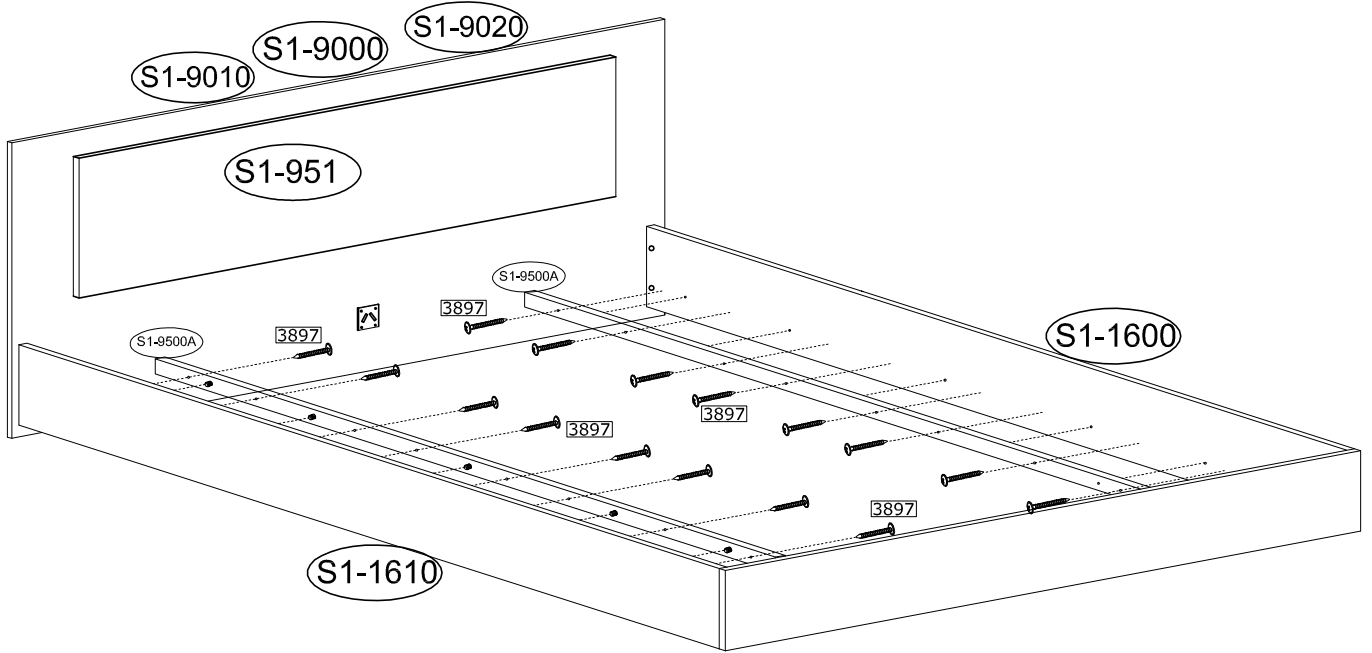


# 5



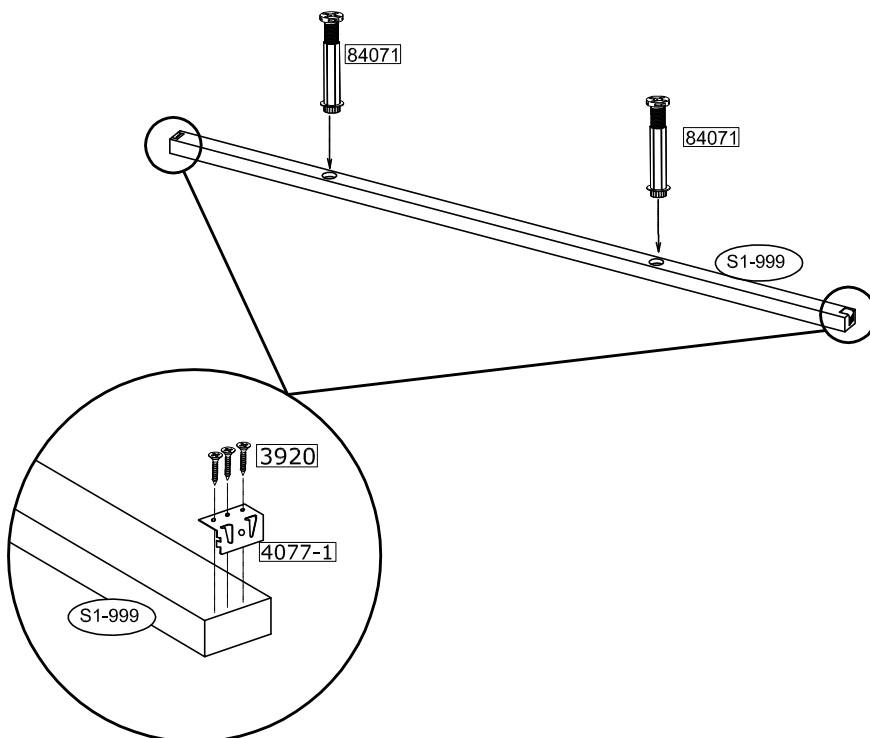
# 6

<p>3897  x16</p>		
--	--	--



# 7

<p>84071  x2</p>	<p>4077-1  x2</p>	<p>3920  x6</p>		
---	--	--	--	---





8

