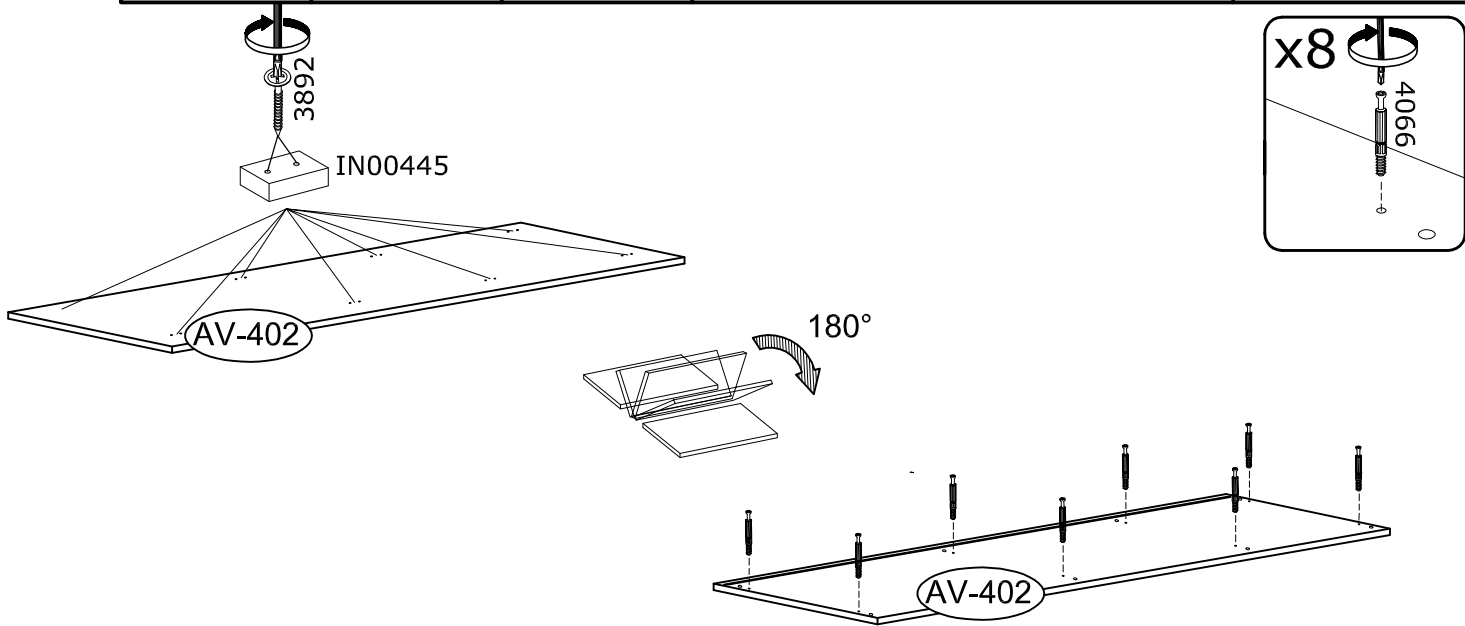

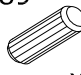


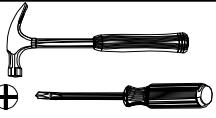


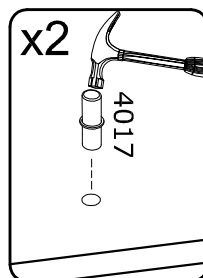
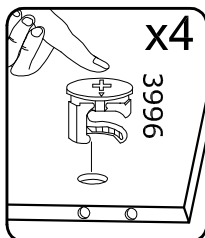
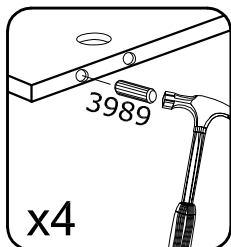
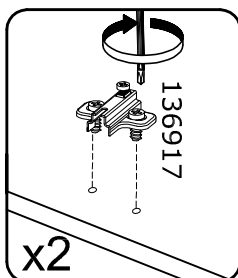
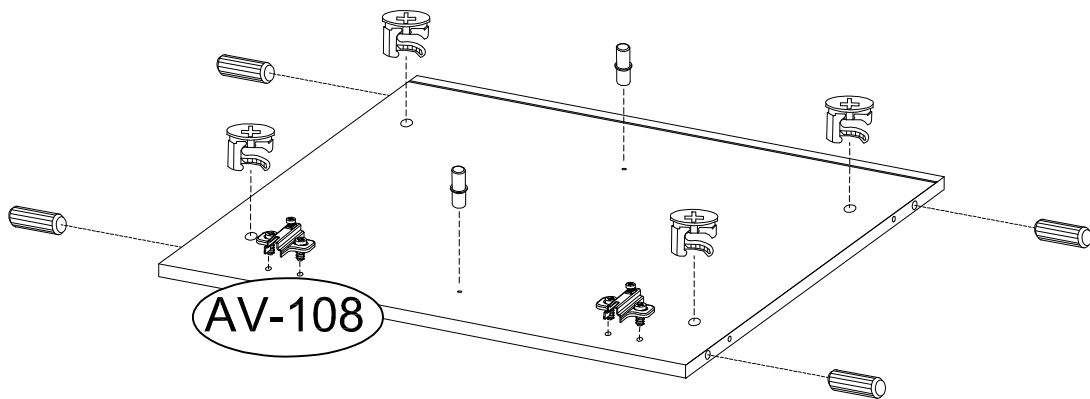
1

4066  x8	3892  x16	IN00445  x8		
--	---	---	--	---




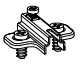



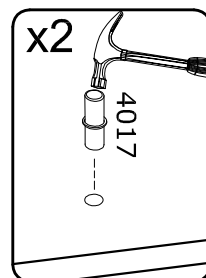
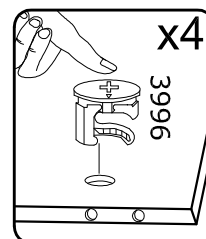
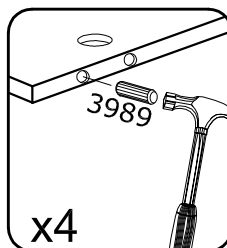
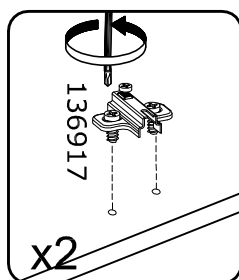
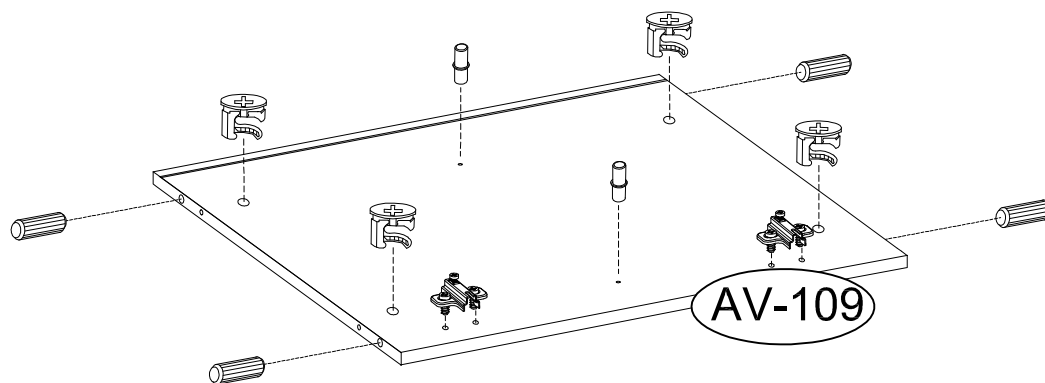
2

3996  x4	3989  x4	4017  x2	136917  x2		
---	---	---	---	--	---



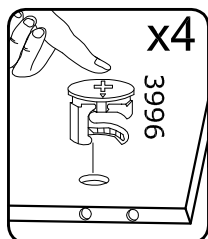
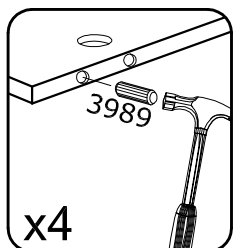
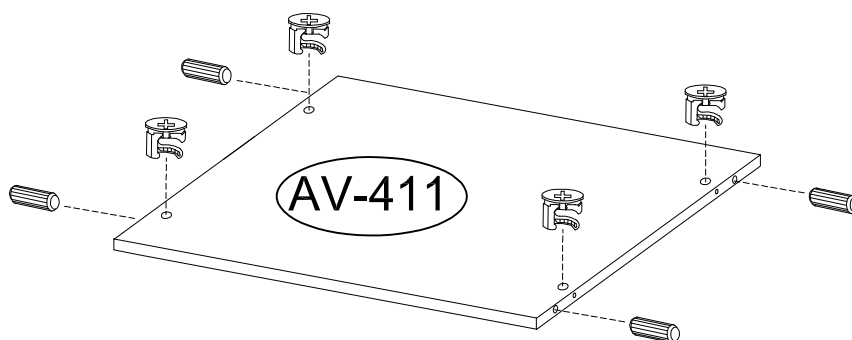
3

3996  x4	3989  x4	4017  x2	136917  x2		
---	--	--	--	--	--

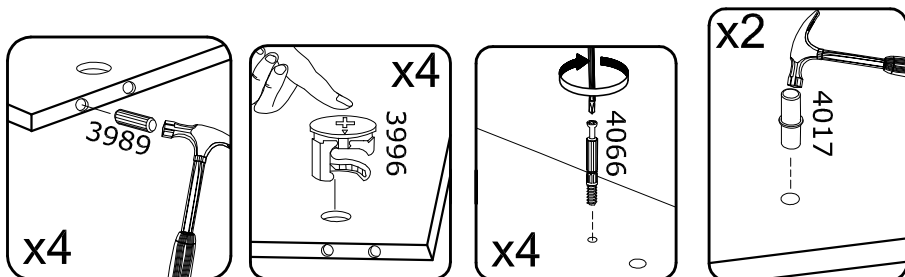
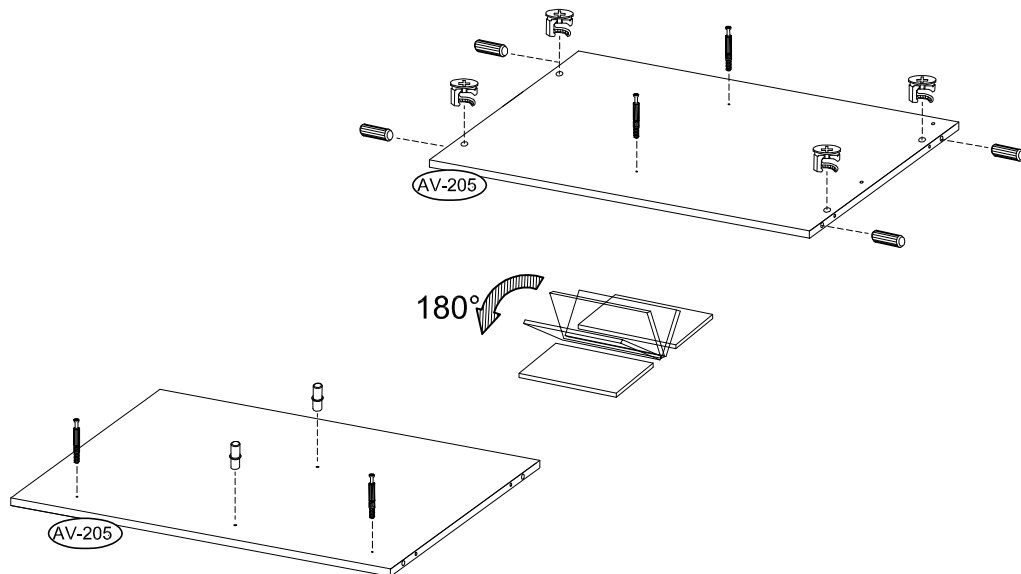
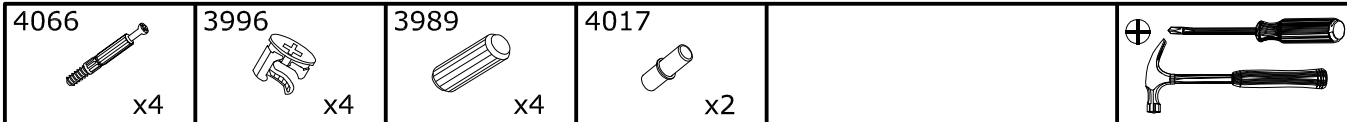


4

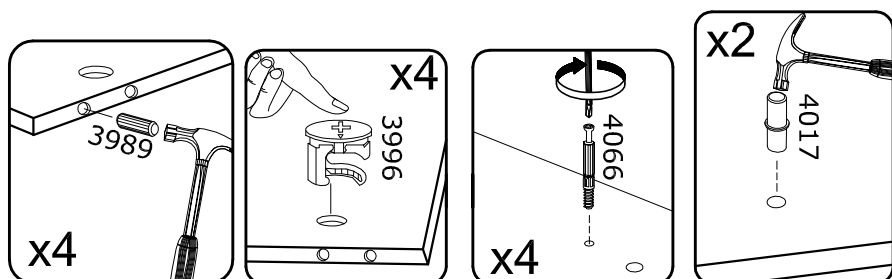
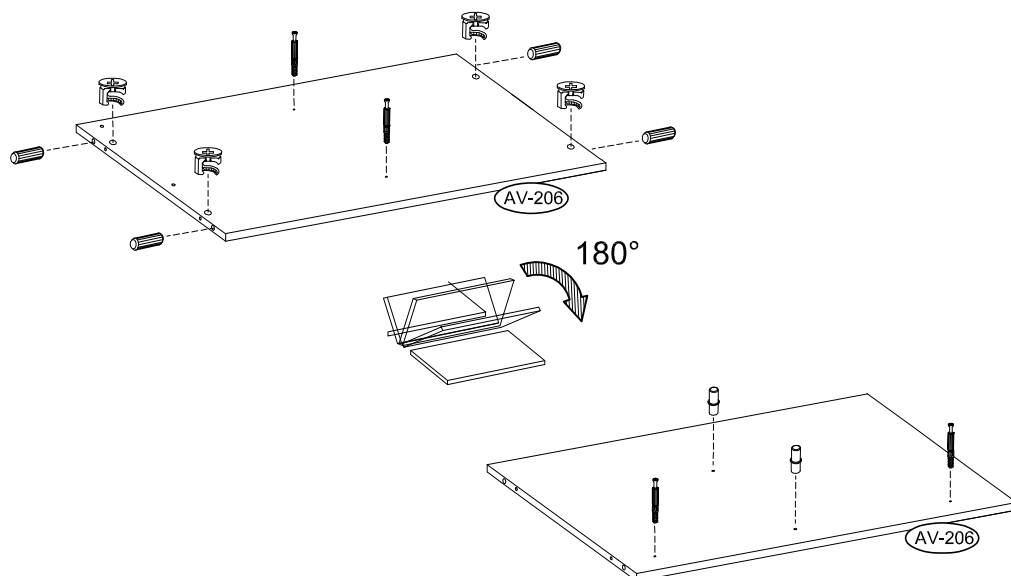
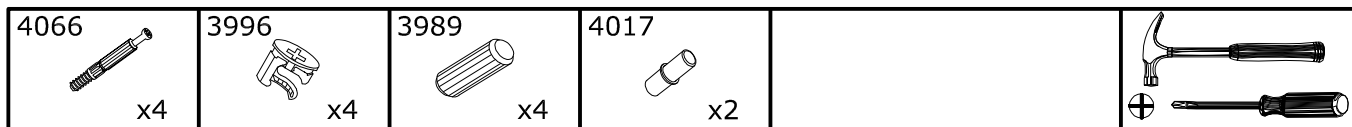
3996  x4	3989  x4		 
---	---	--	--



5



6



7

4066

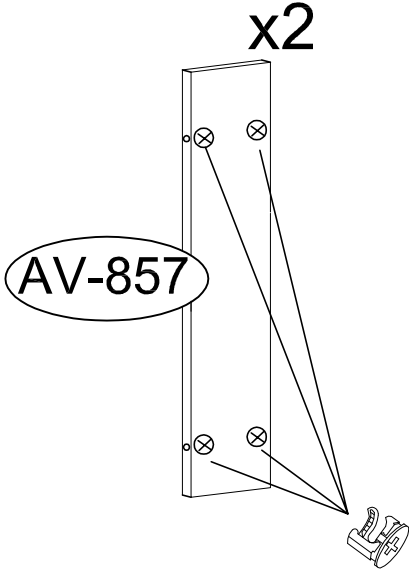


x4

3996

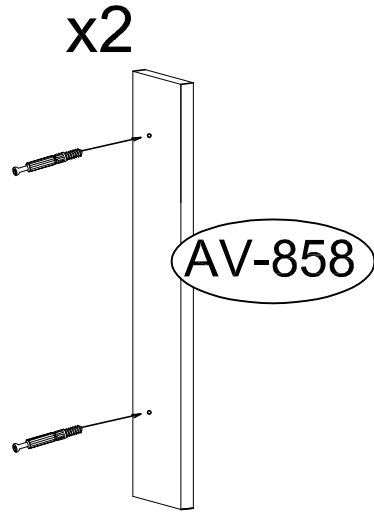


x8



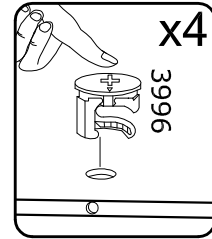
x2

AV-857



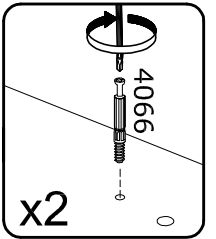
x2

AV-858



x4

3996



x2

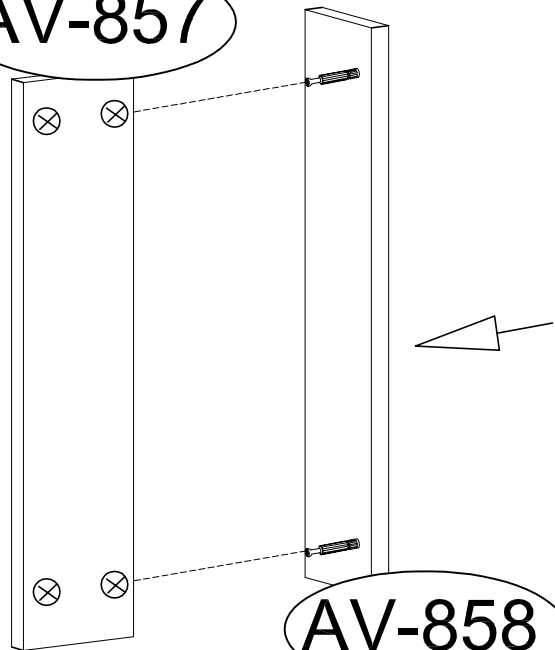
4066

8

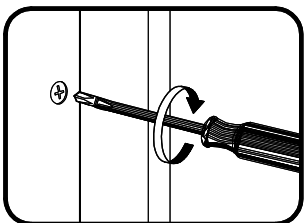
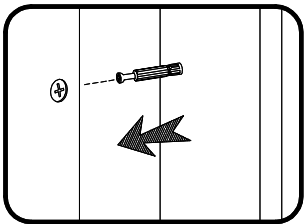


x2

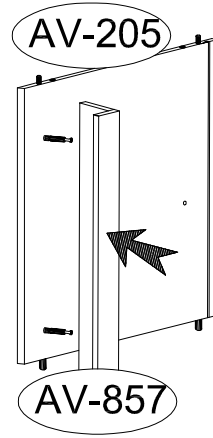
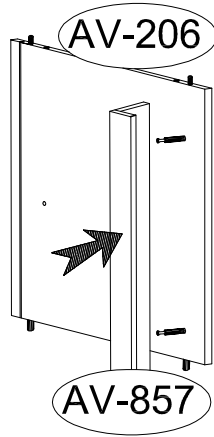
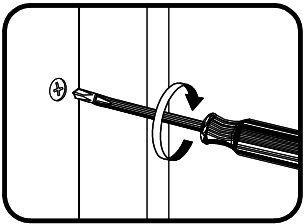
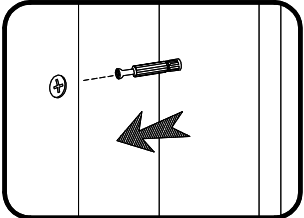
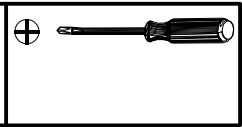
AV-857



AV-858



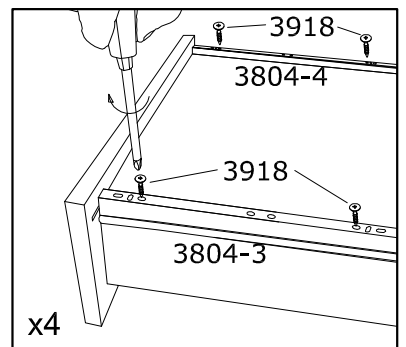
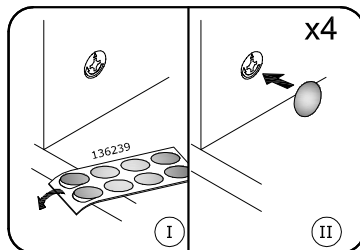
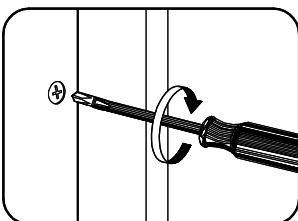
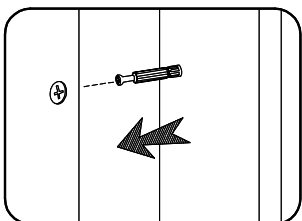
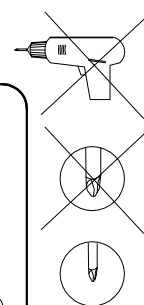
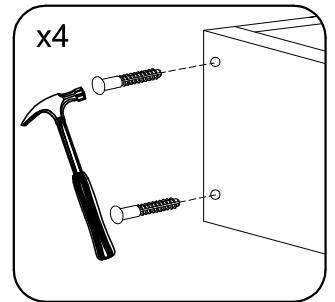
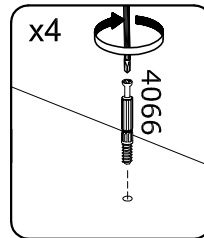
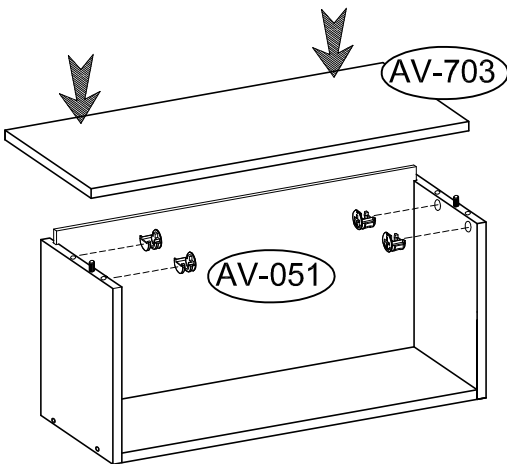
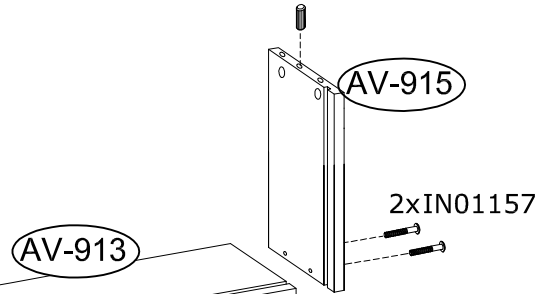
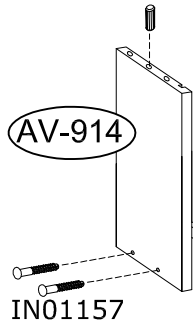
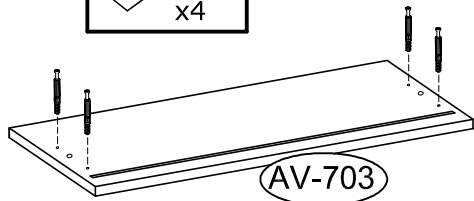
9



10

3989 x6	IN01157 x4	3918 x4	4066 x4	3804-3 x1	3804-4 x1	3996 x4	
----------------	-------------------	----------------	----------------	------------------	------------------	----------------	--

136239 x4



11

136858

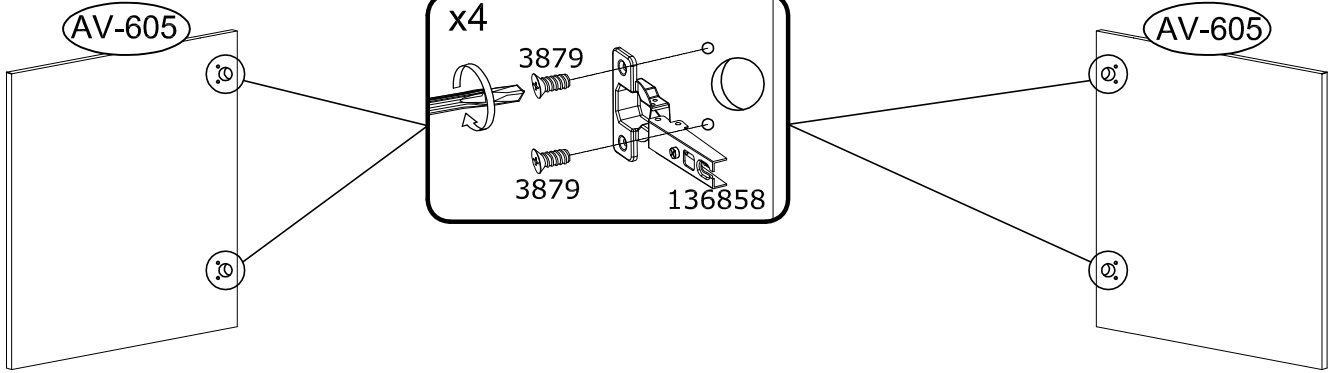


x4

3879



x8



12

4066

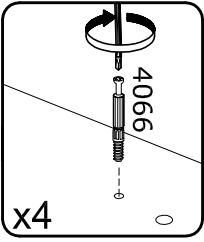
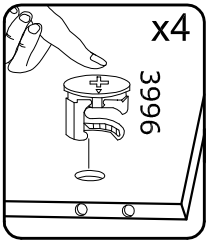
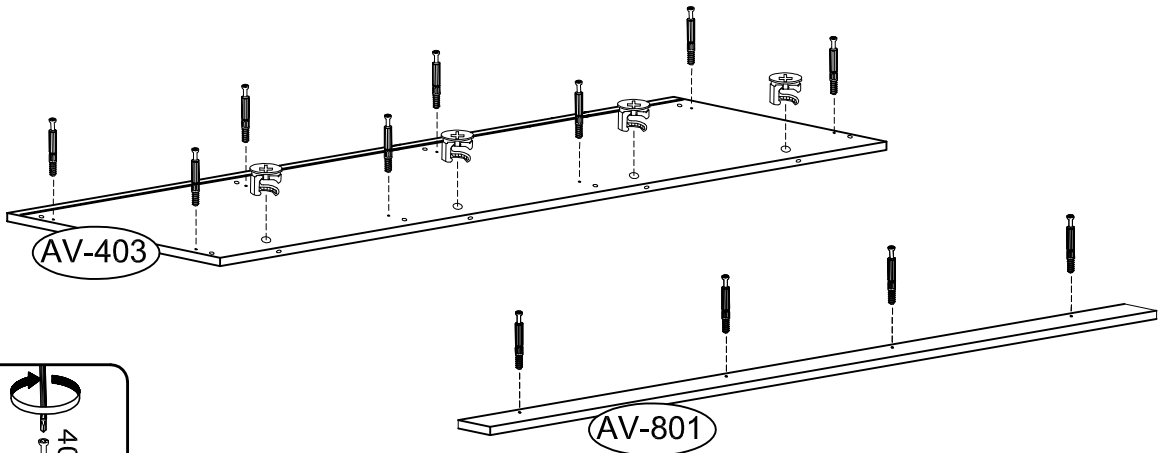


x12

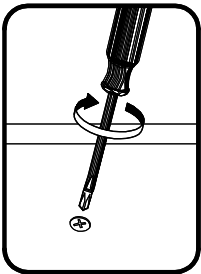
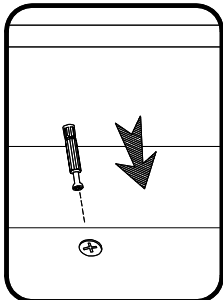
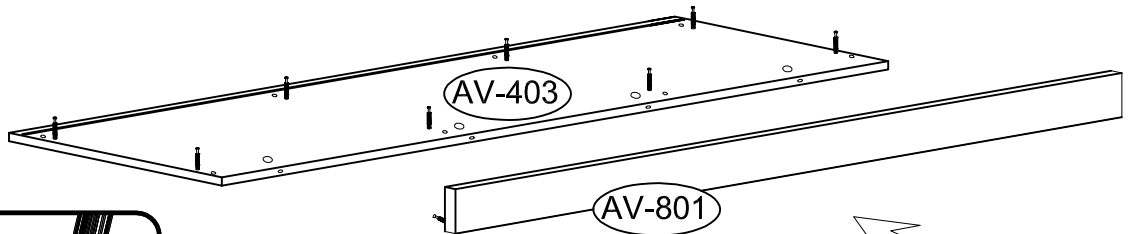
3996



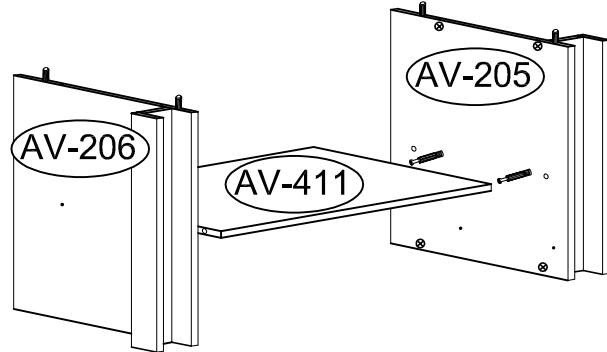
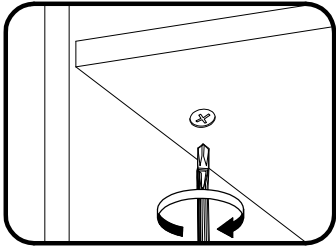
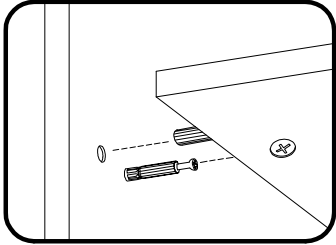
x4



13



14

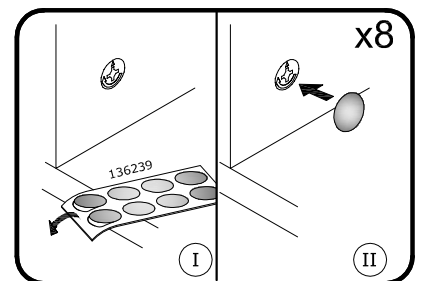
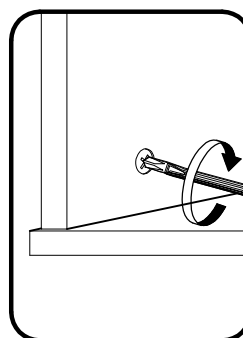
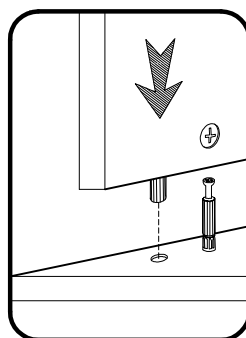
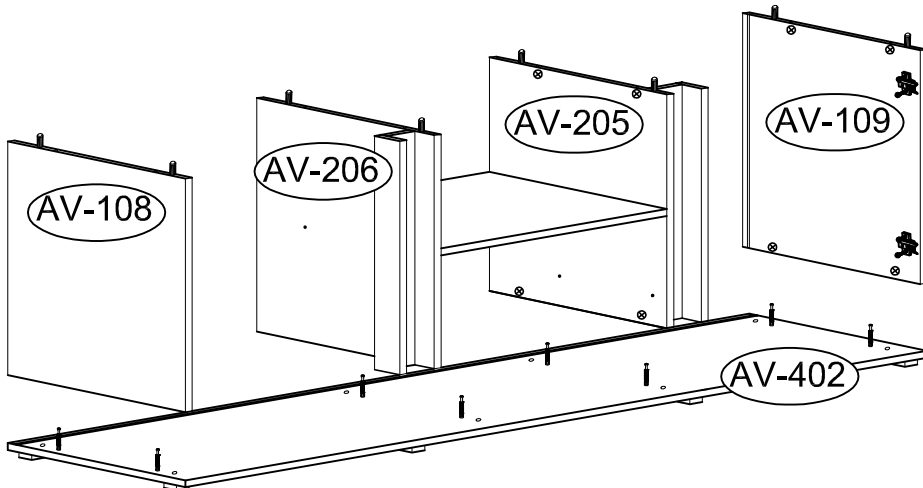


15

136239



x8



x8

136239

I

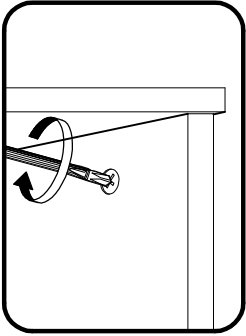
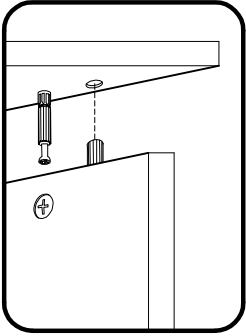
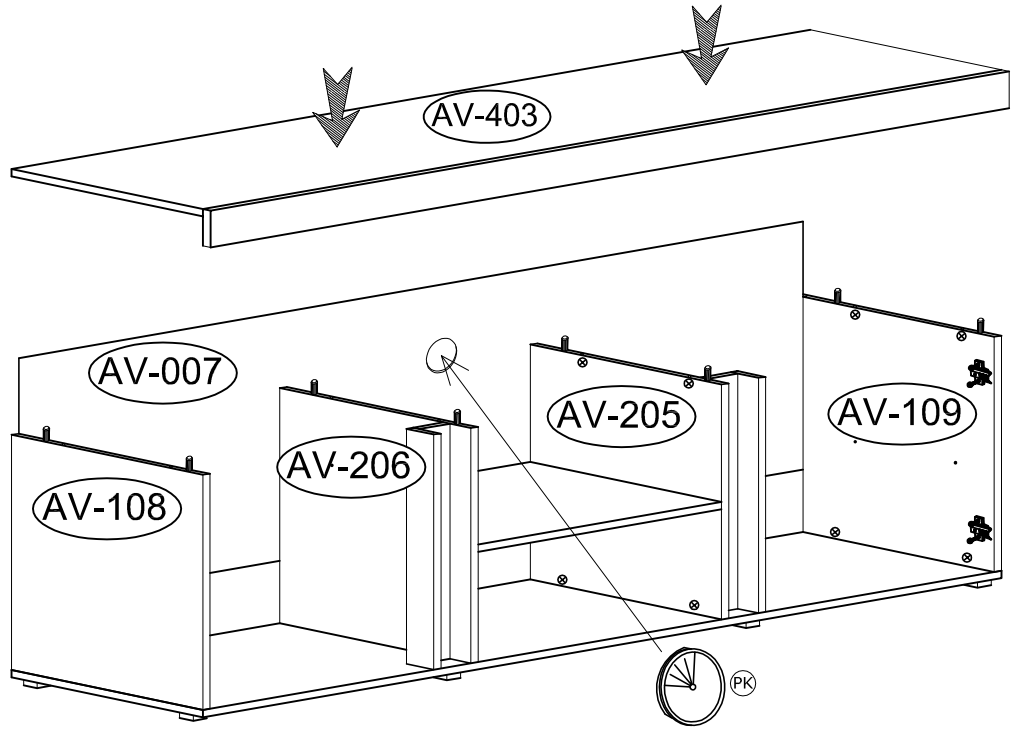
II

16

4034



x1

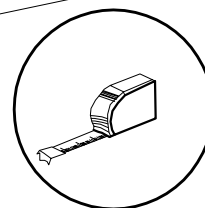
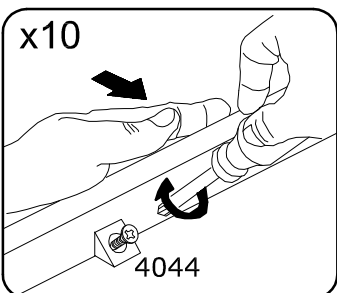
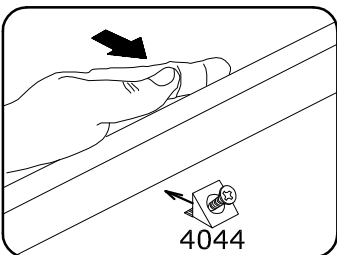
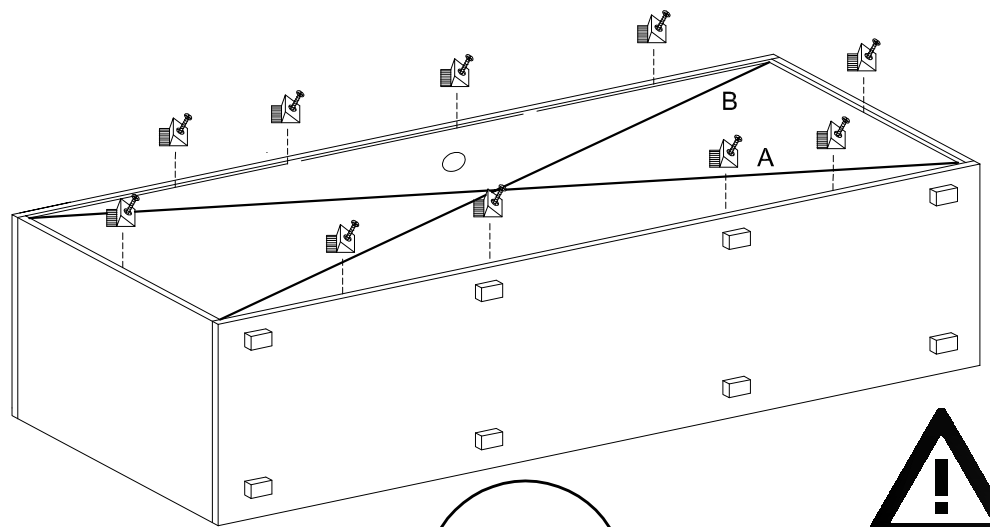


17

4044



x10



18

3877



x4

3804-1

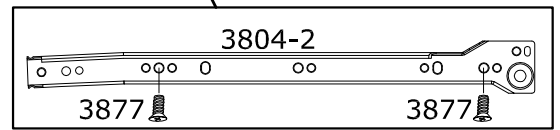
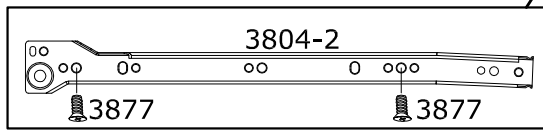
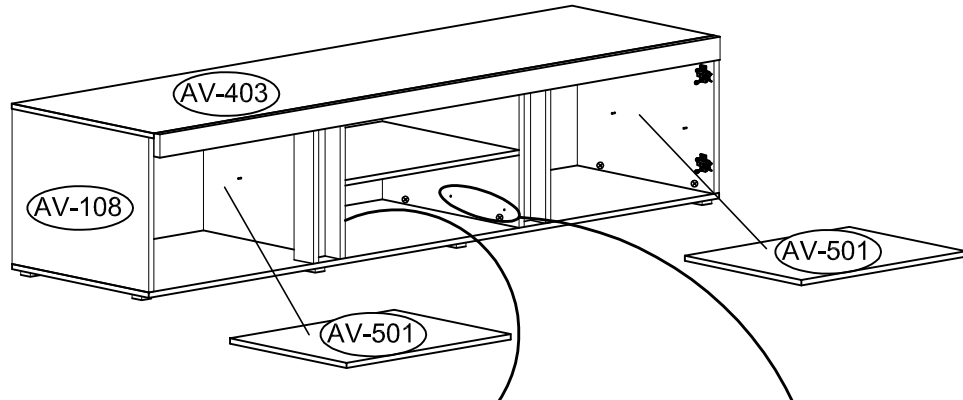


x1

3804-2



x1



19

