

SY-400

SY-401

SY-128

SY-120

SY-129

SY-128

SY-120

SY-129

SY-171

SY-173

SY-172

SY-170

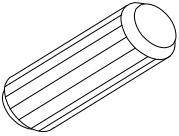
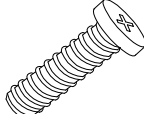
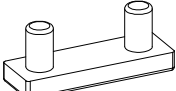
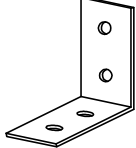

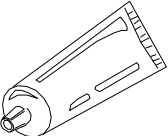
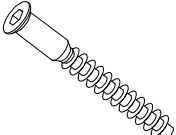
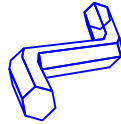
SY-170

SY-172


SY-173

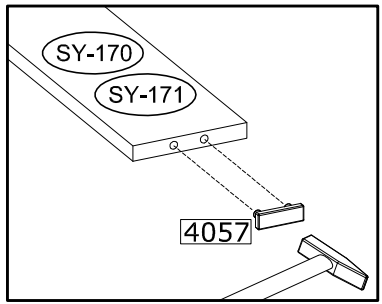
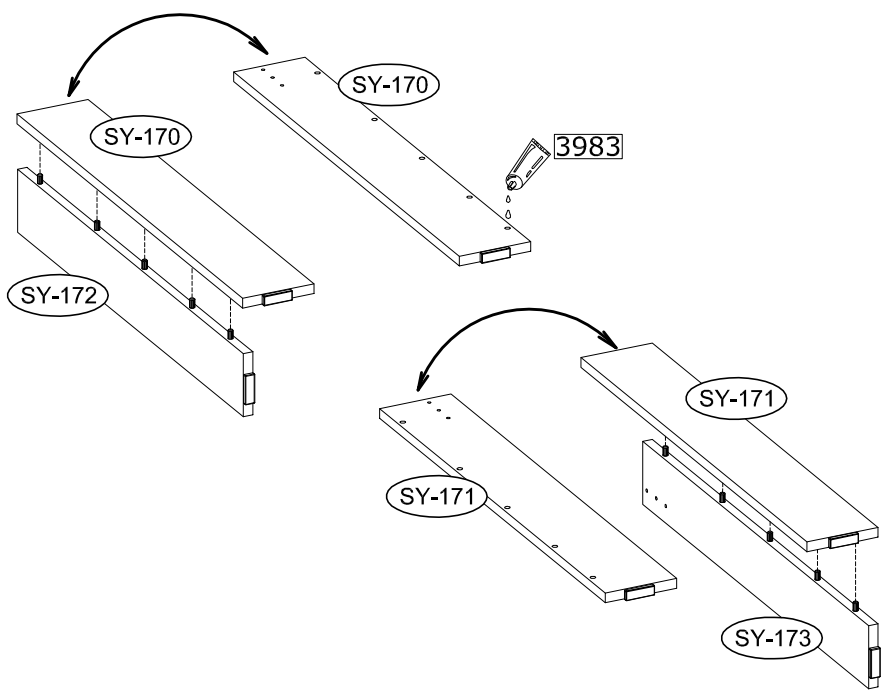
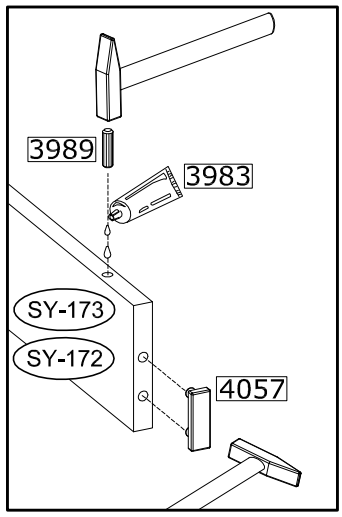
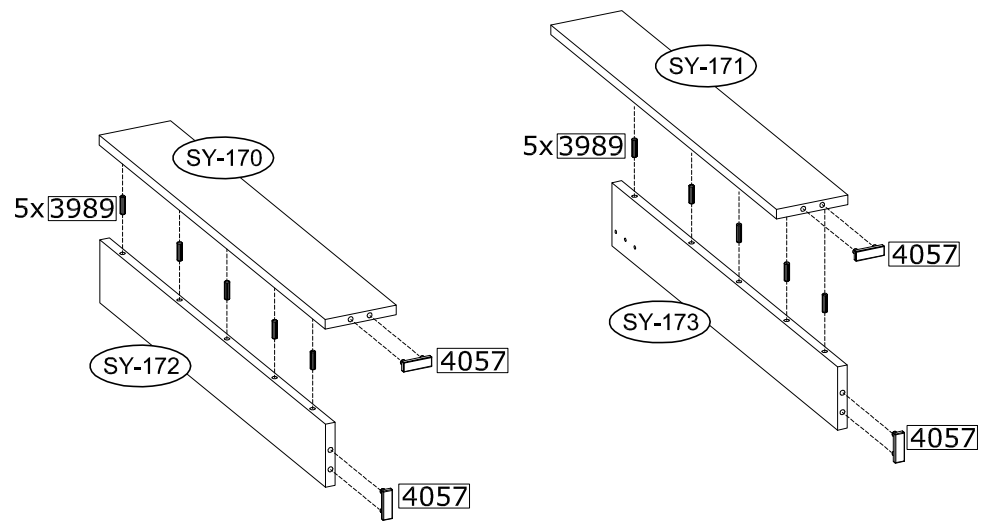
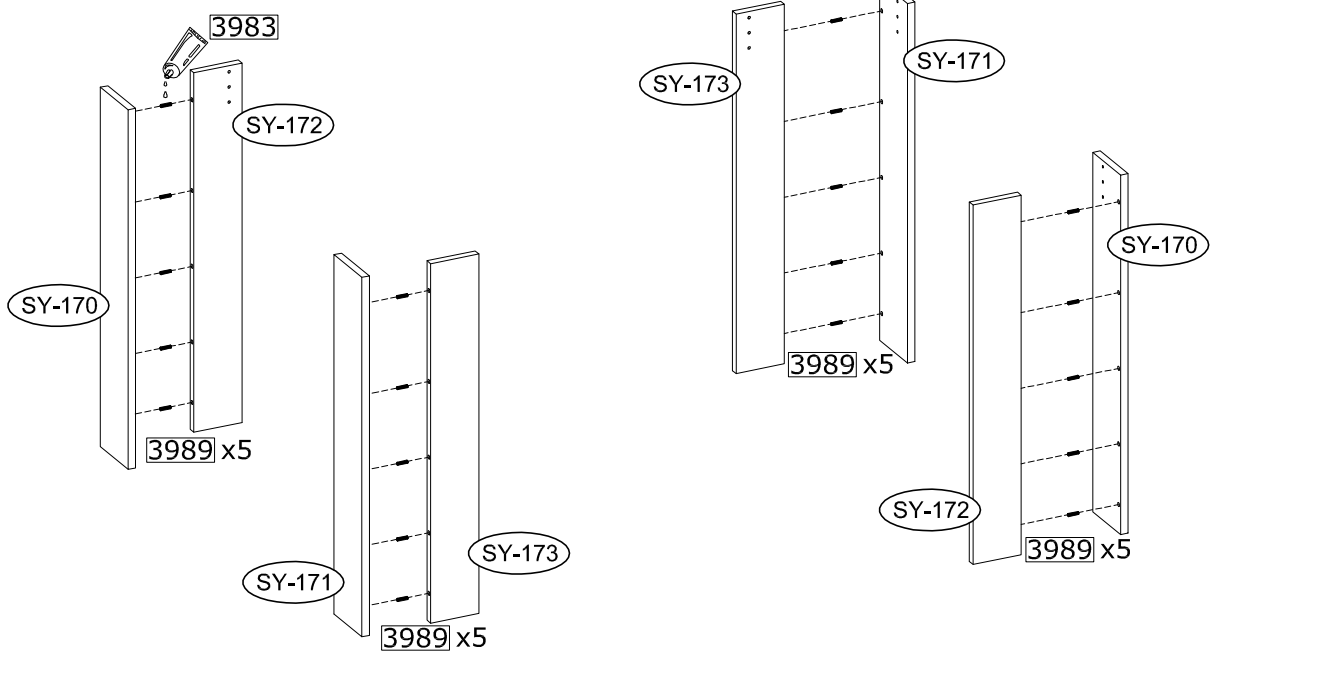
SY-171

<b>05</b>	SY-400	SY-129
<b>06</b>	SY-401	SY-120

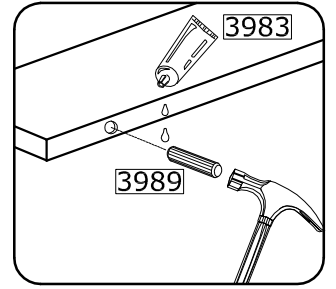
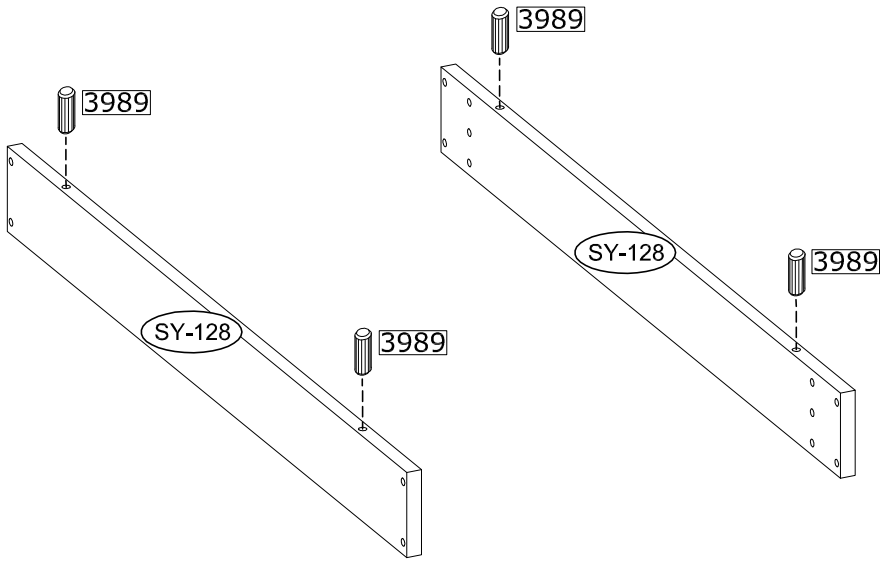
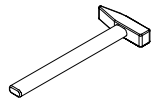
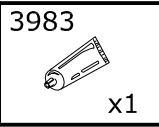
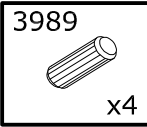
<b>3989</b>  Ø8x30mm      x24	<b>IN01617</b>  Ø6.3x26mm      x24	<b>4057</b>  x8	<b>3981</b>  40x40x18 mm      x8
<b>3918</b>  Ø3,5x16mm      x32	<b>3983</b>  x3	<b>3884</b>  Ø6,4 mm/50mm      x8	<b>3984</b>  x1

# 1

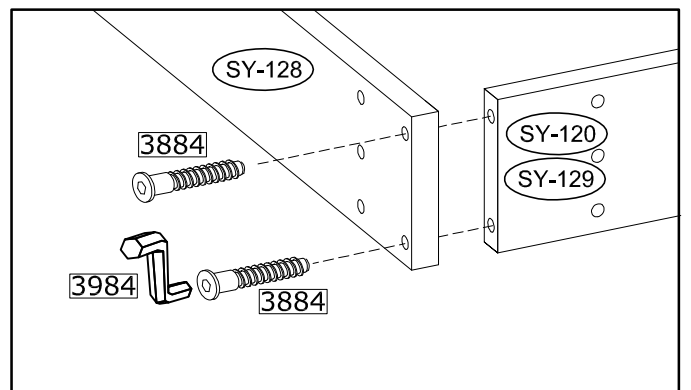
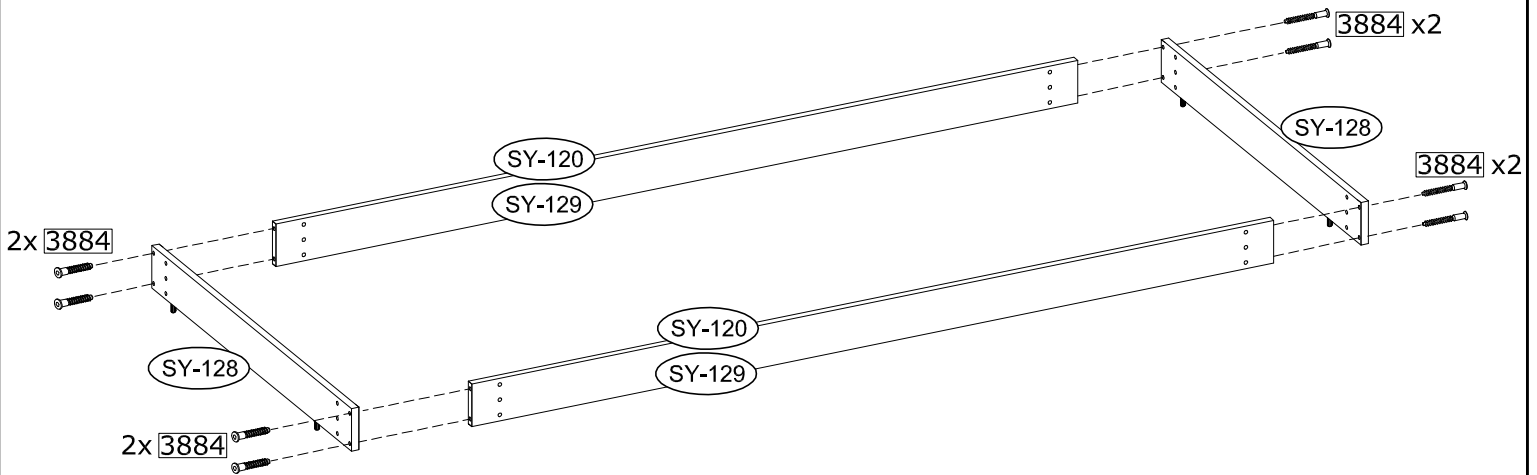
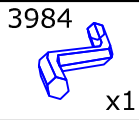
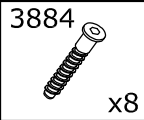
3989  x20	3983  x1	4057  x8		
---	--	--	--	--



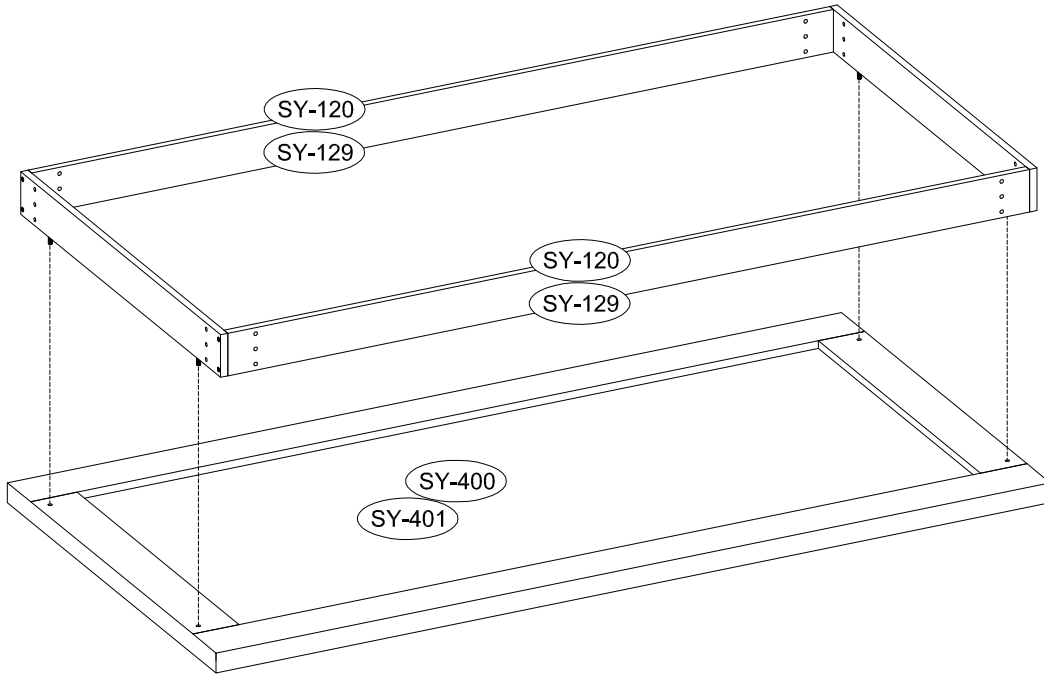
# 2



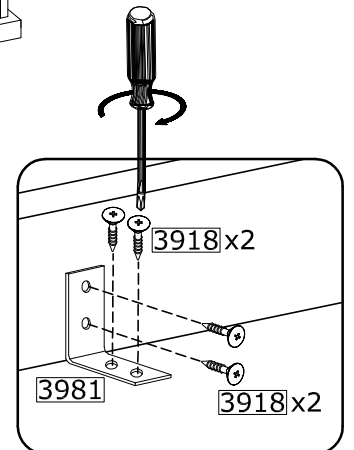
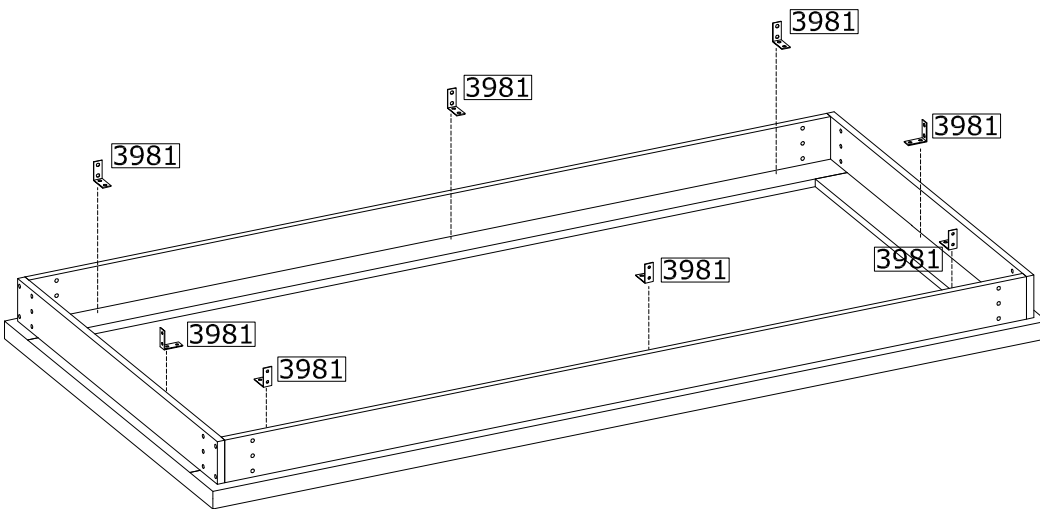
# 3



# 4



# 5



# 6

IN01617



E-24

