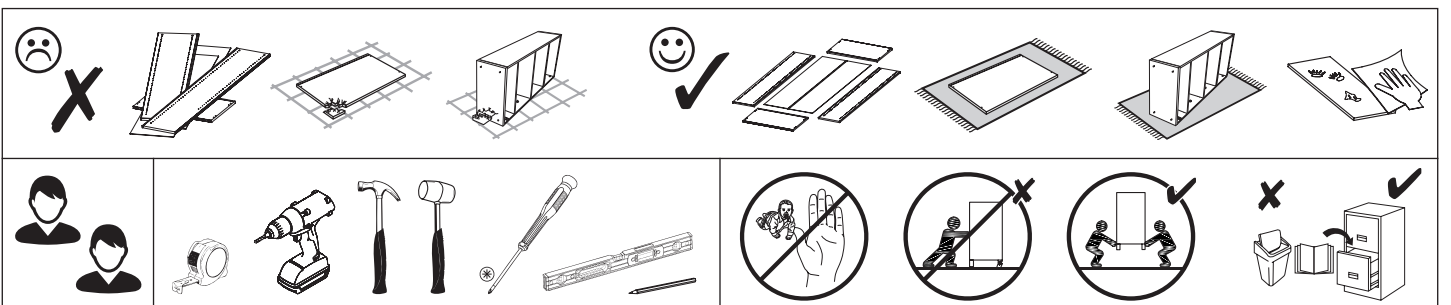
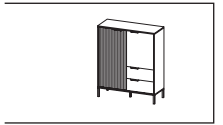
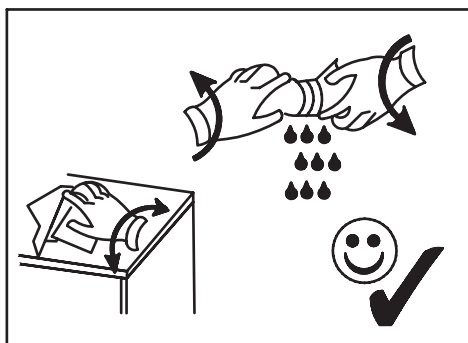
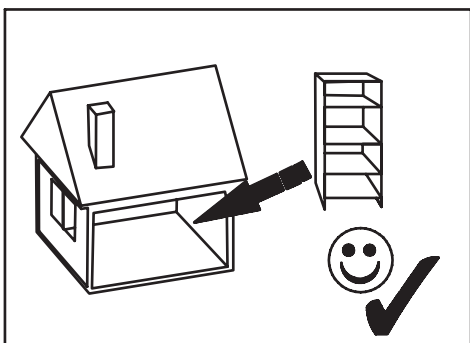
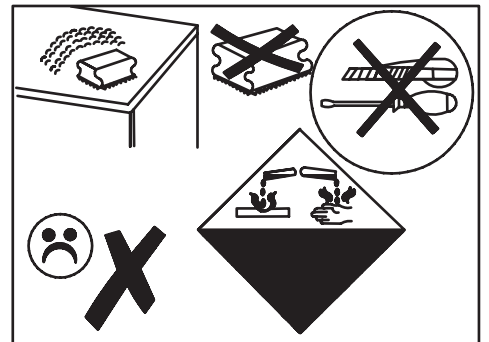
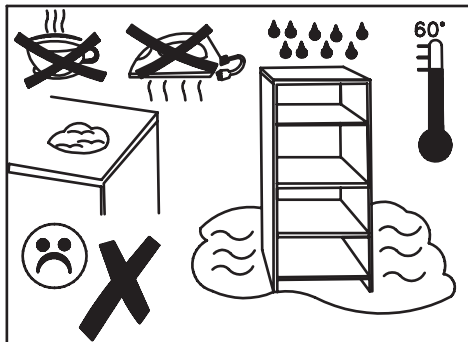
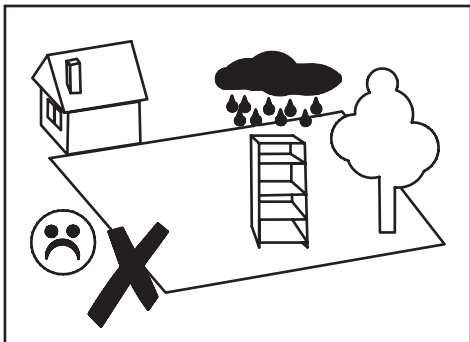


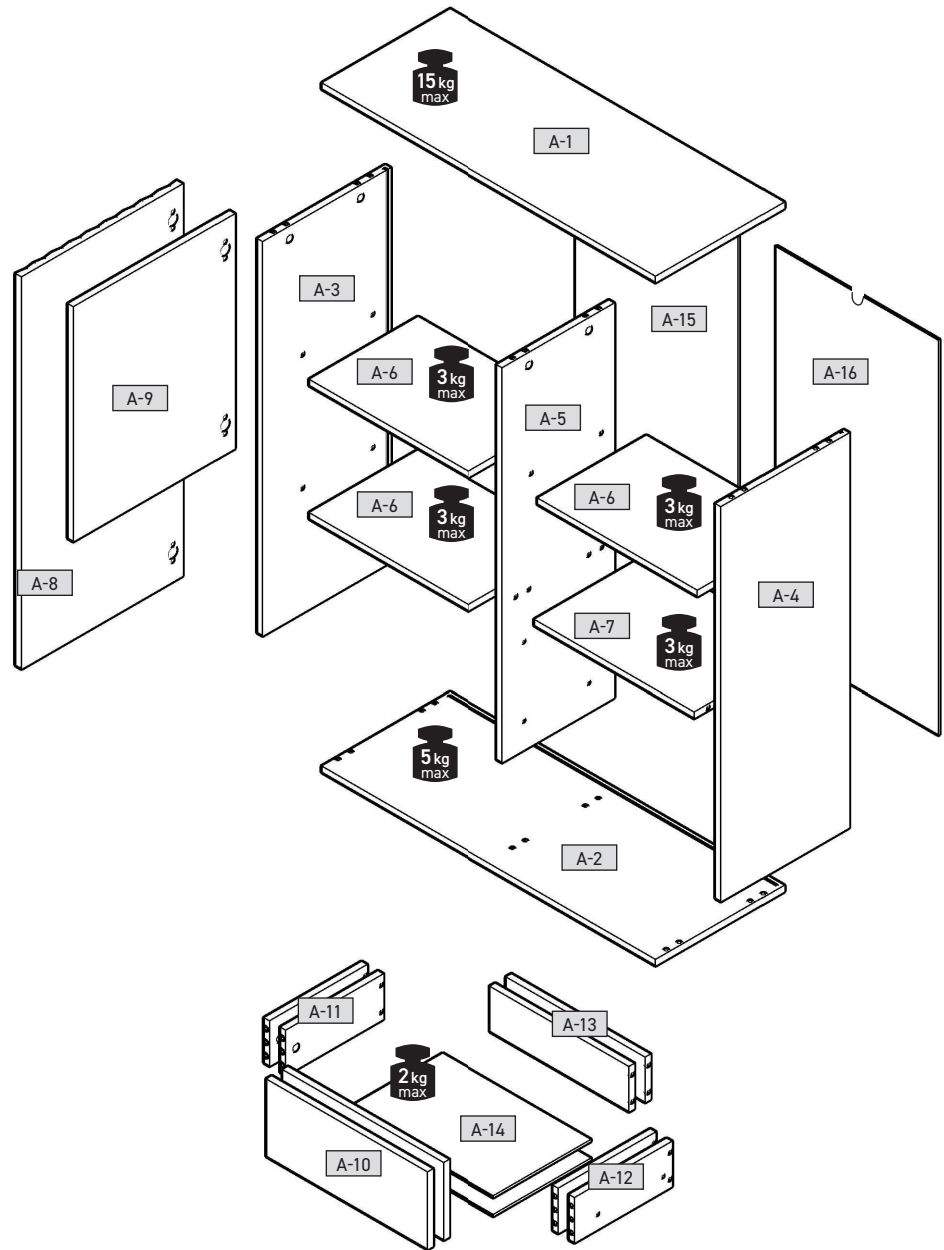
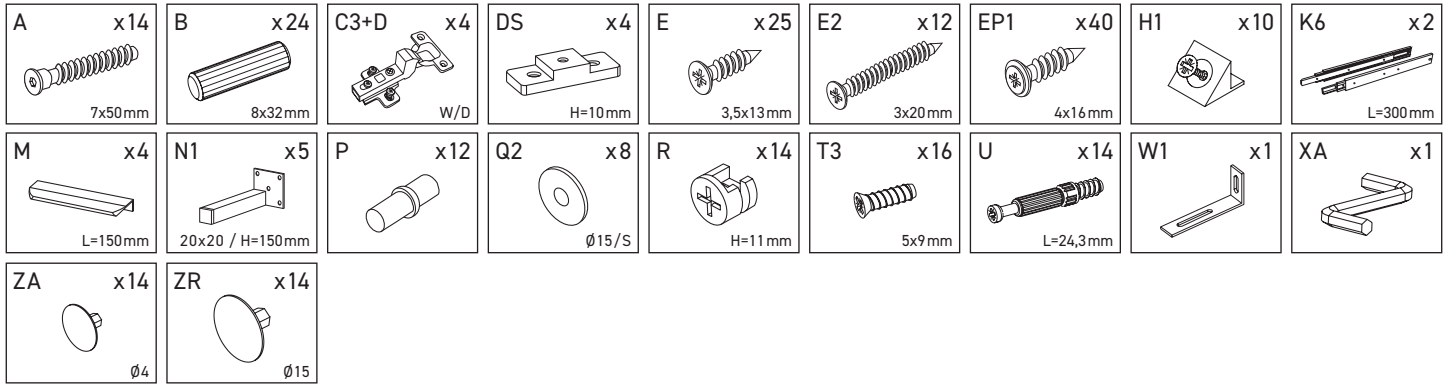
2023-04-26



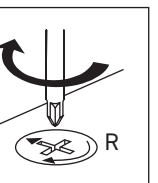
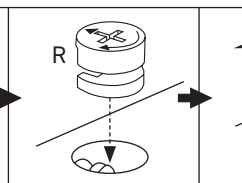
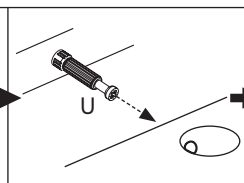
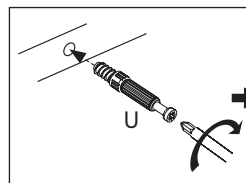
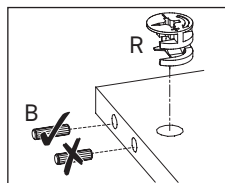
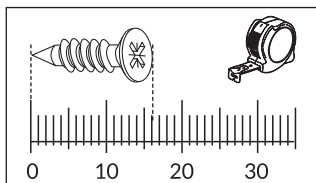


kontaktujte špecialistu. Montáž musí byť vykonaná kompetentnou osobou.





A-1	1033	395	16	x 1	1/2
A-2	1033	395	16	x 1	1/2
A-3	1052	394	16	x 1	1/2
A-4	1052	394	16	x 1	1/2
A-5	1052	347	16	x 1	1/2
A-6	492	335	16	x 3	2/2
A-7	492	345	16	x 1	1/2
A-8	496	1046	18	x 1	2/2
A-9	496	626	16	x 1	2/2
A-10	496	206	16	x 2	2/2
A-11	300	120	16	x 2	1/2
A-12	300	120	16	x 2	1/2
A-13	426	120	16	x 2	1/2
A-14	456	306	3	x 2	2/2
A-15	507	1066	3	x 1	2/2
A-16	507	1066	3	x 1	2/2

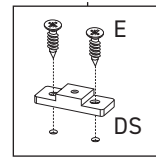
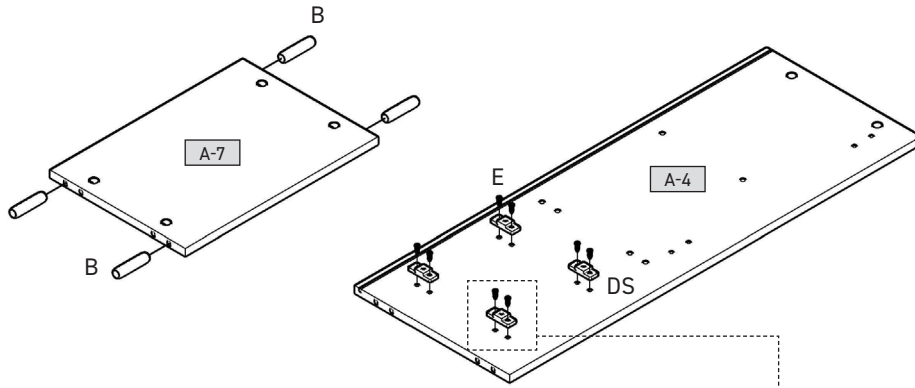




1



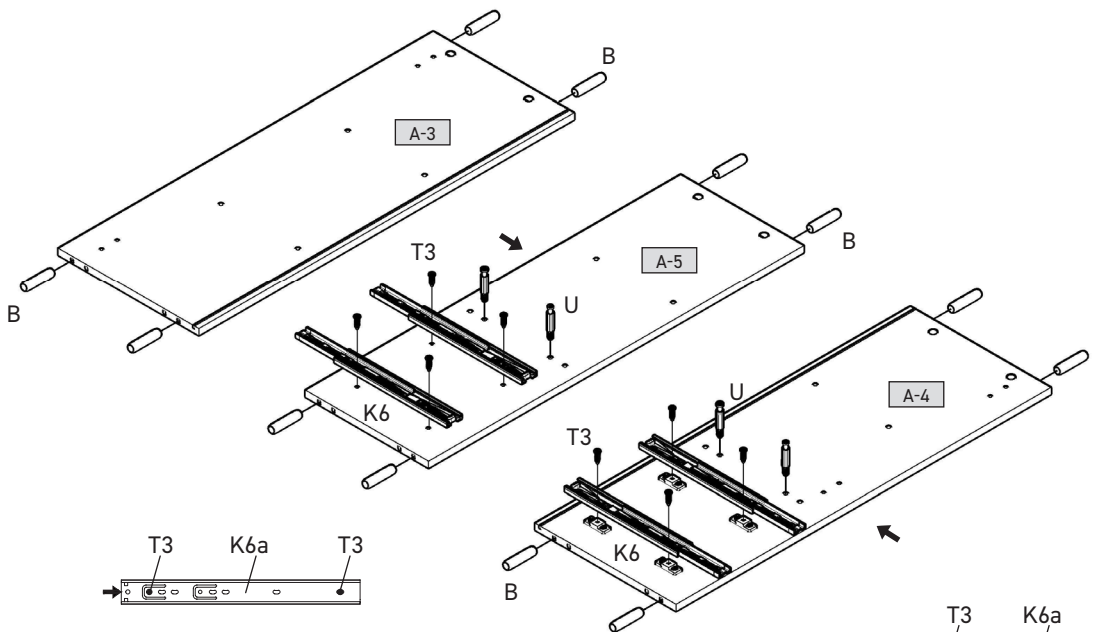
B x4 8x32mm	DS x4 H=10mm	E x8 3,5x13mm
-----------------------	------------------------	-------------------------



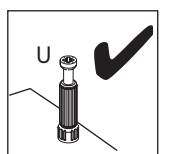
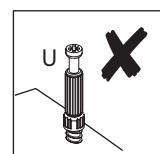
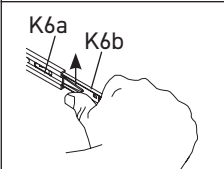
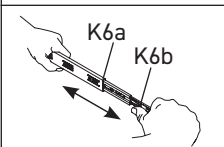
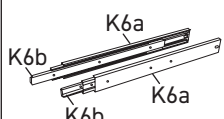
2



B x12 8x32mm	K6 x2 L=300mm	T3 x8 5x9mm	U x4 L=24,3mm
------------------------	-------------------------	-----------------------	-------------------------

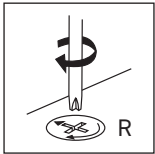
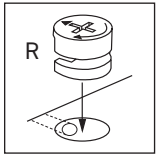
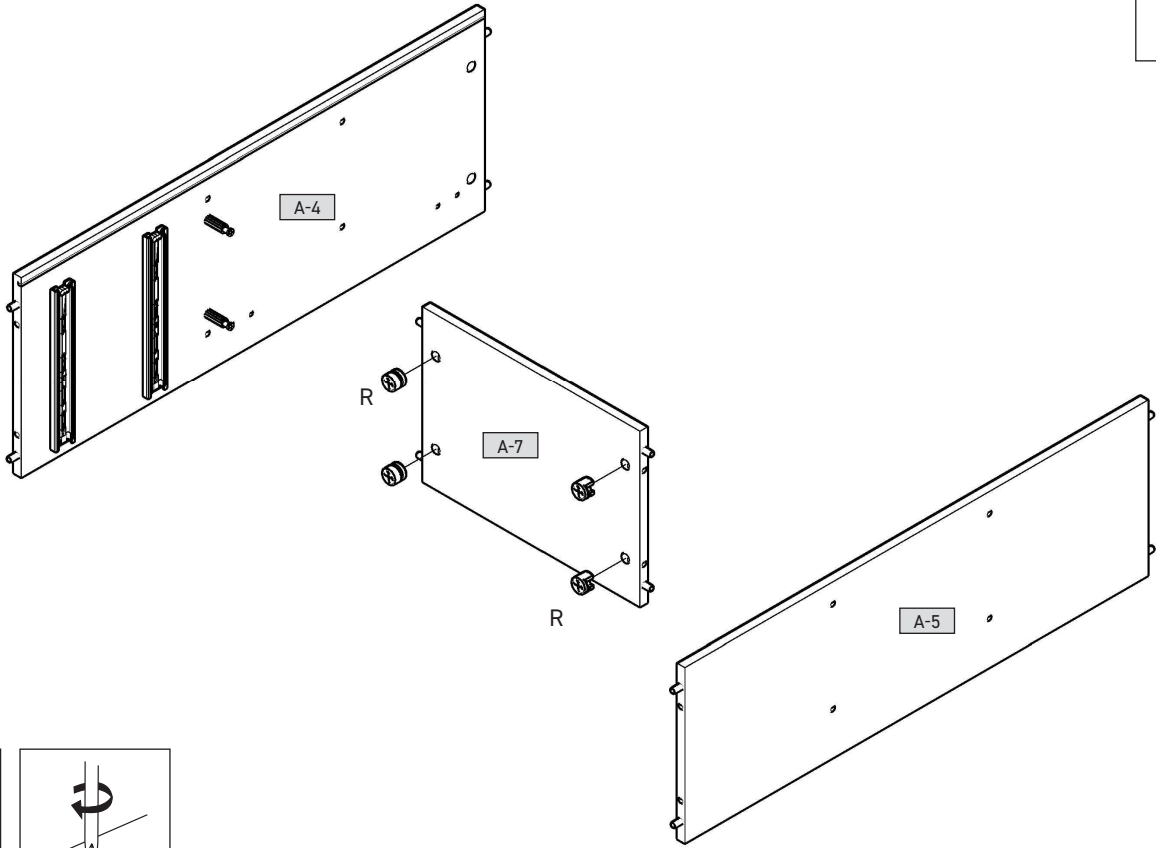
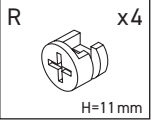


K6= 2x (K6a+K6b)

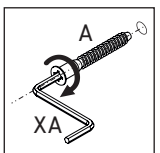
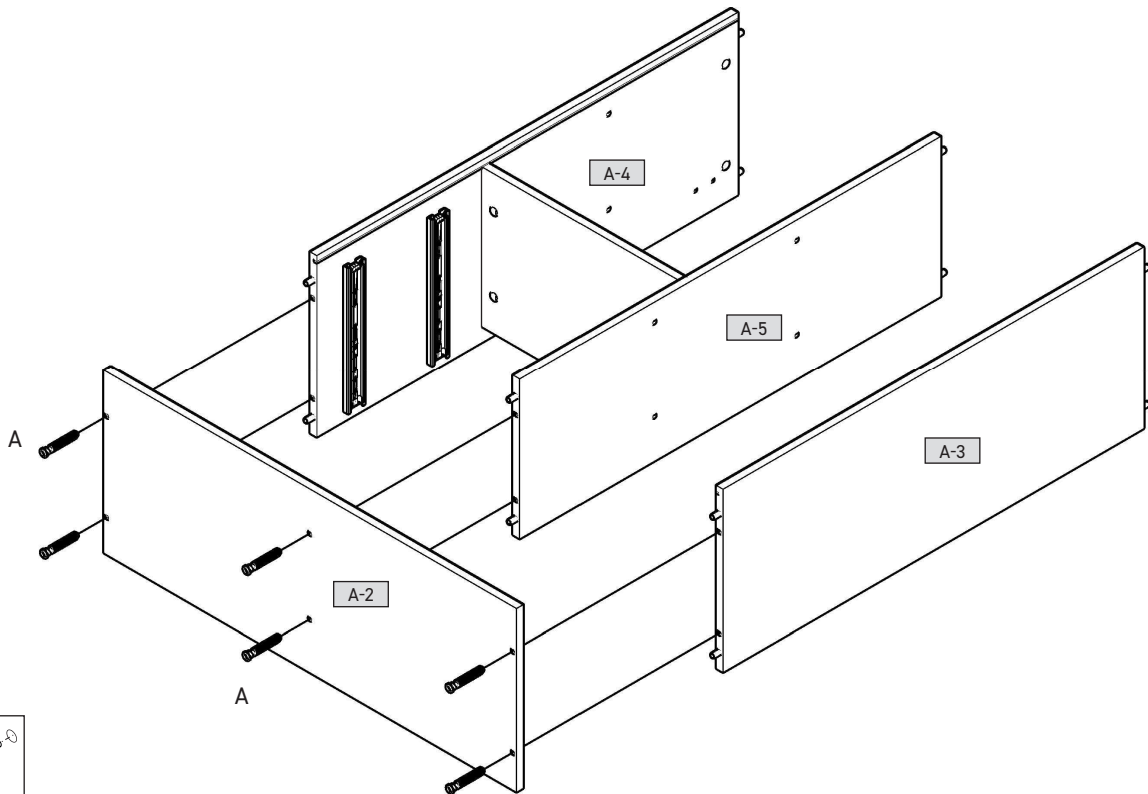
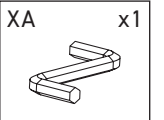
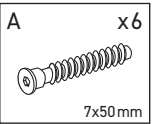




3

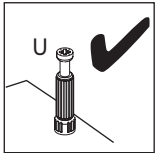
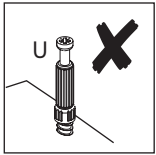
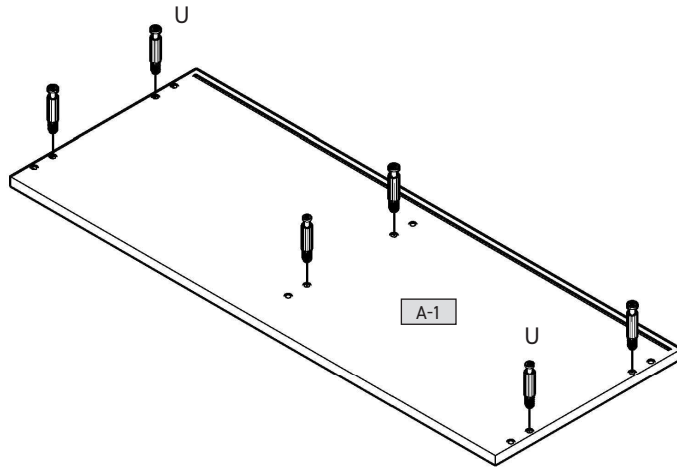
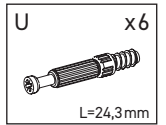


4

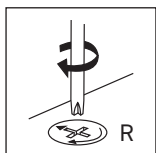
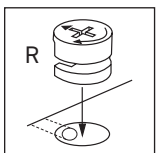
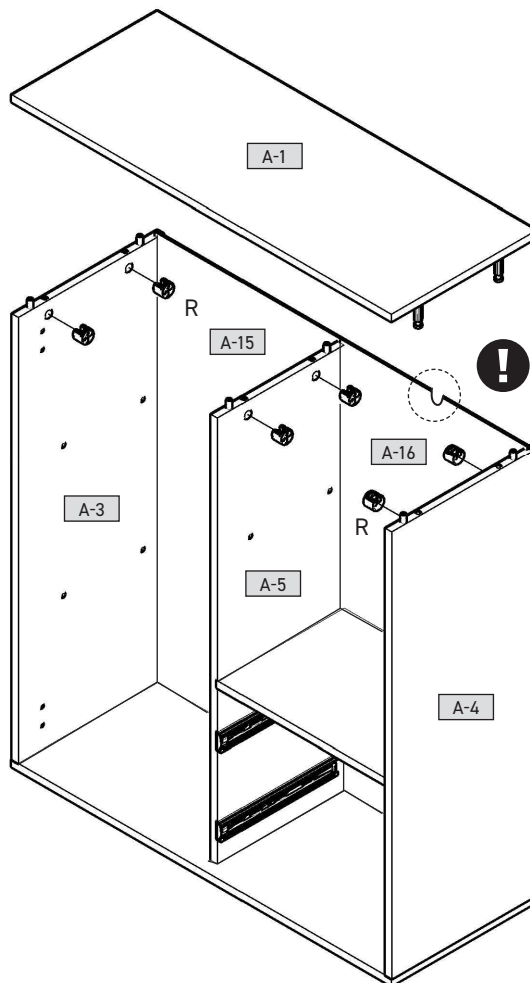
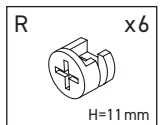




5

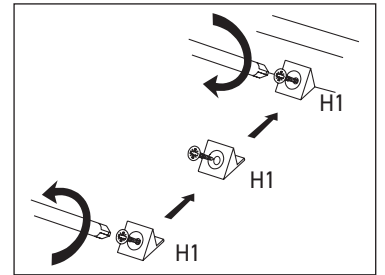
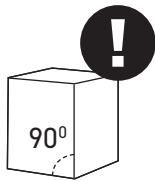
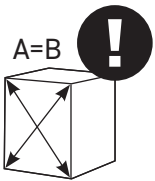
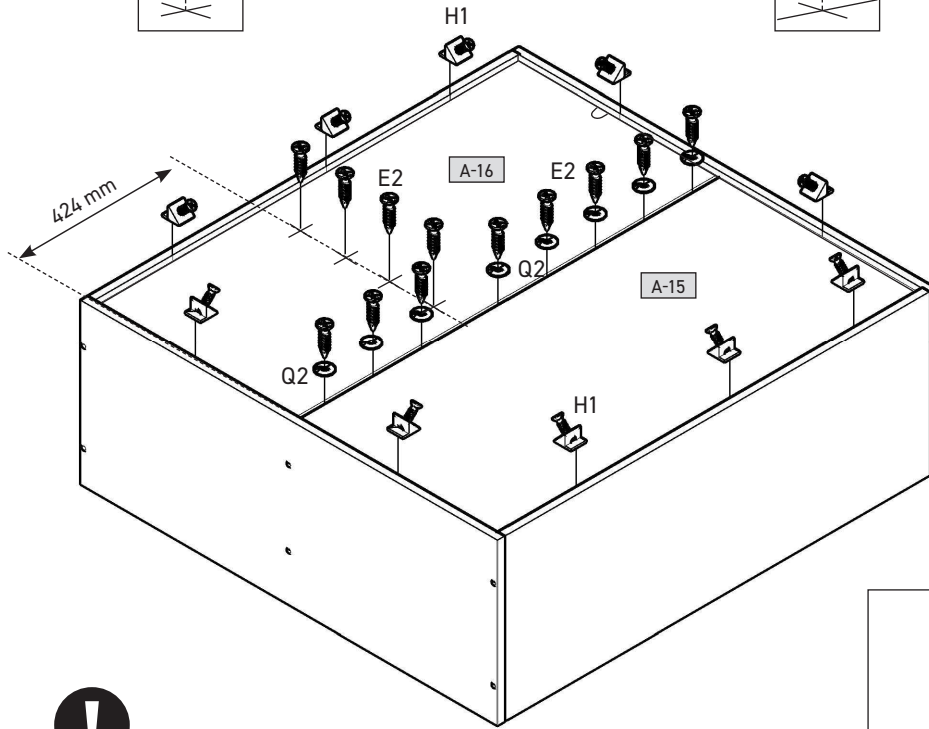
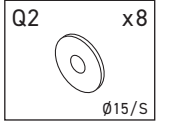
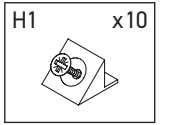
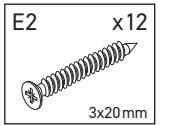
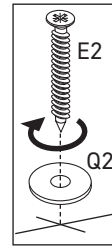
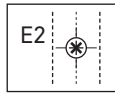
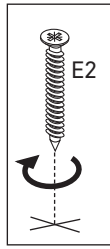
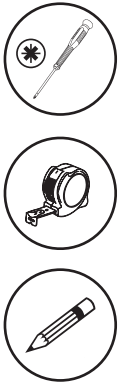


6

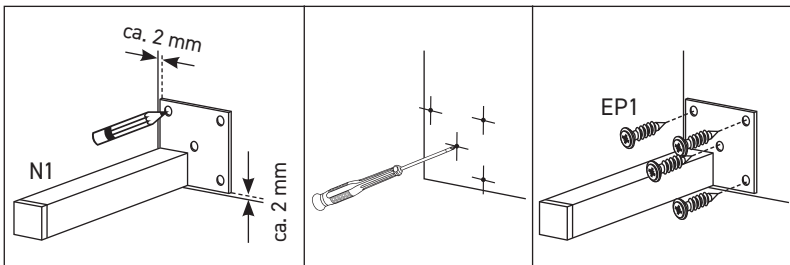
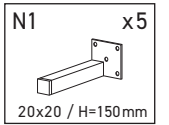
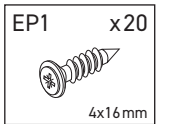
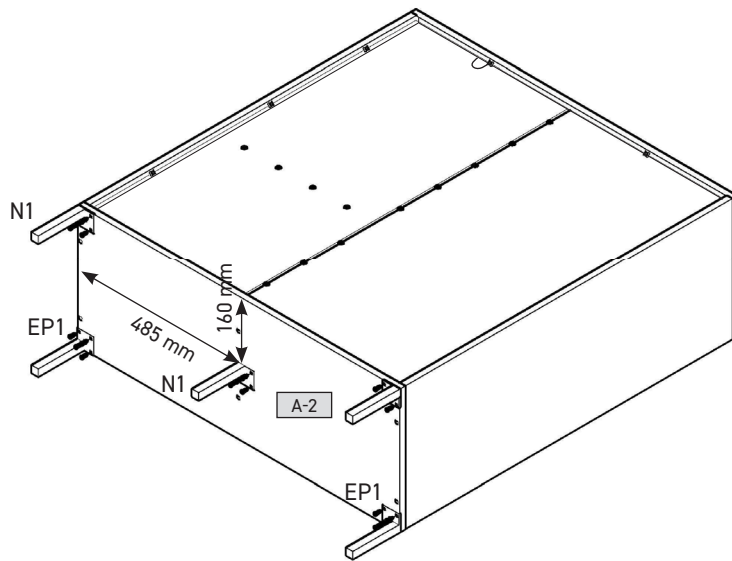
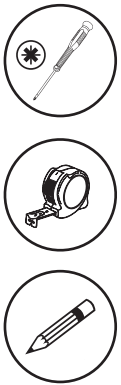




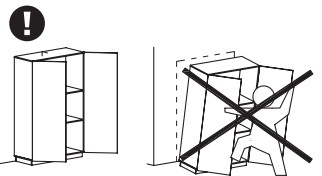
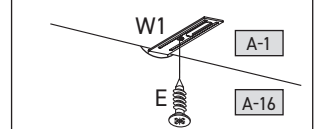
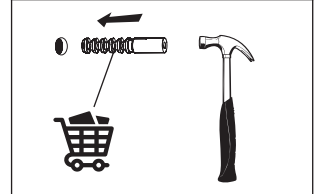
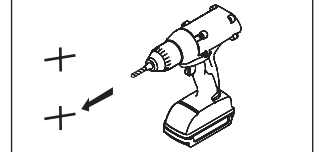
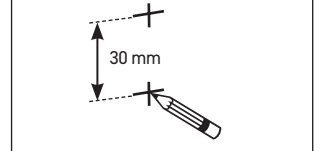
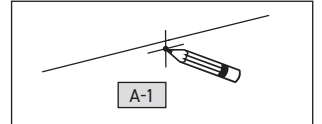
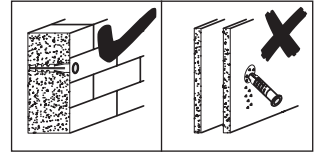
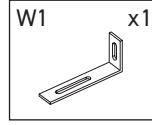
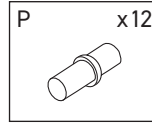
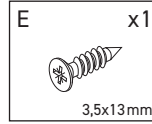
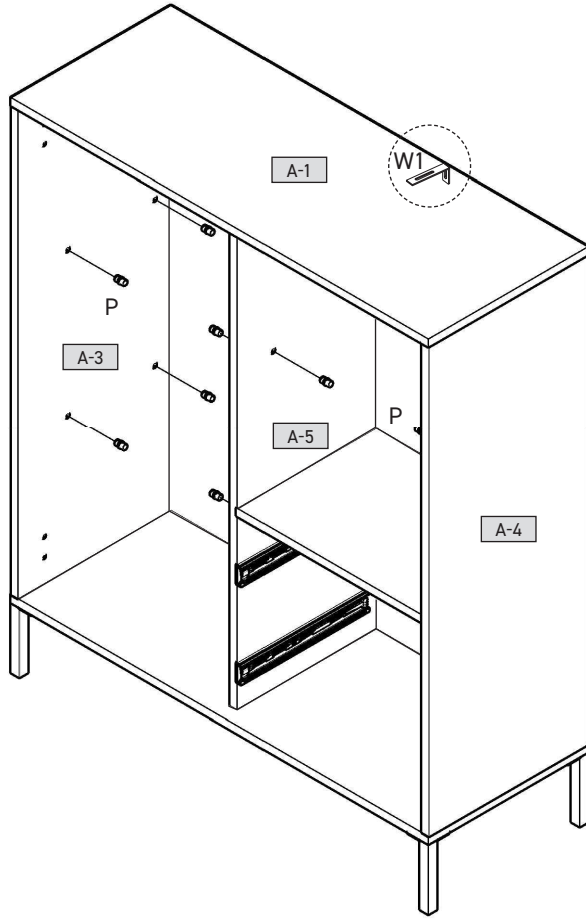
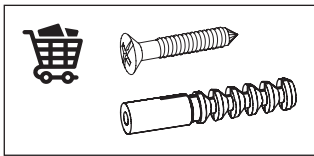
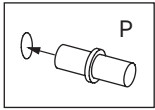
7



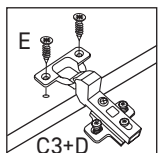
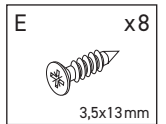
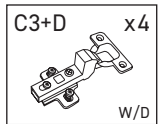
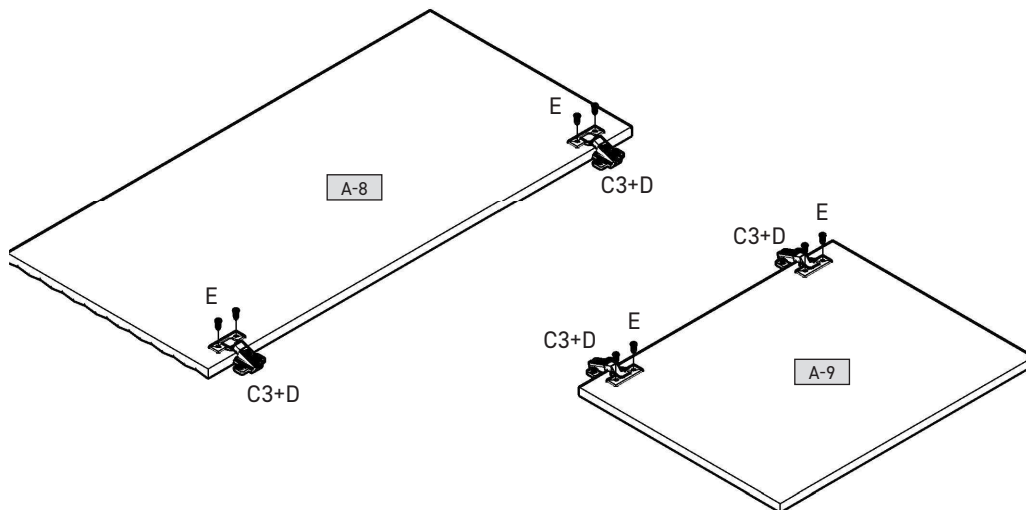
8



9

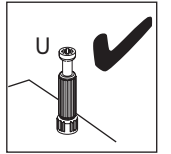
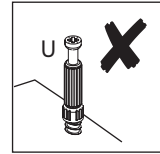
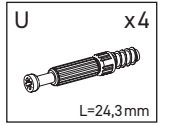
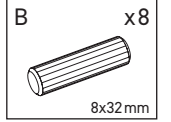
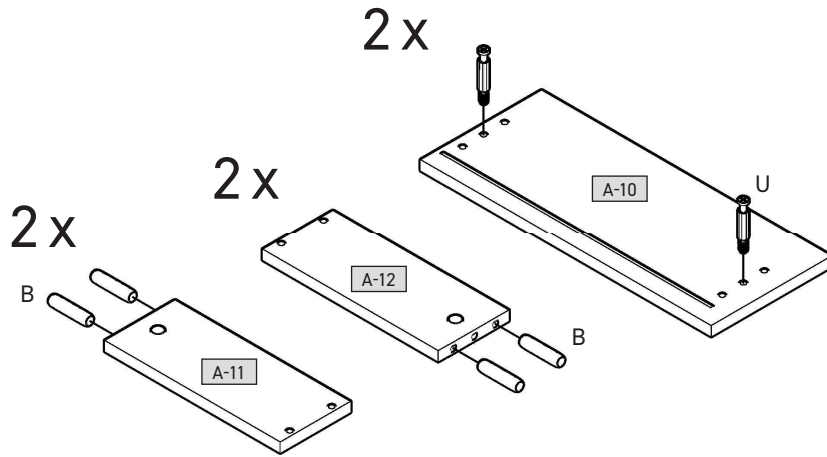


10

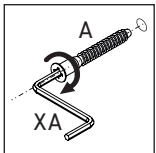
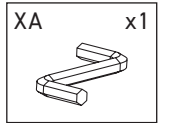
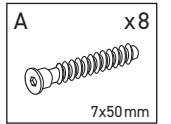
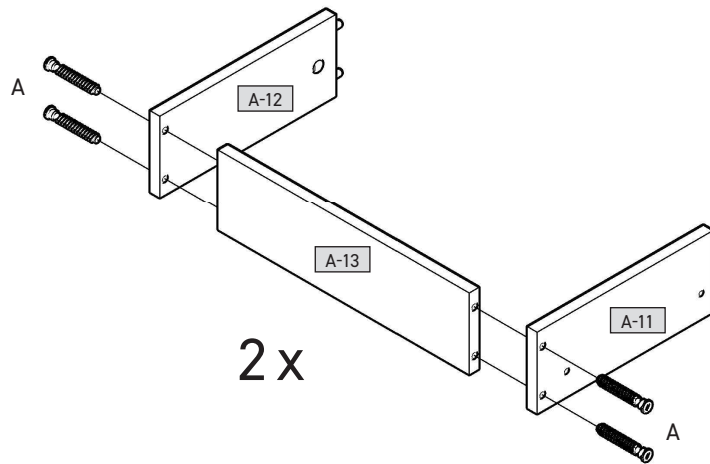




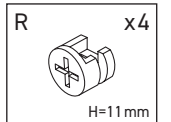
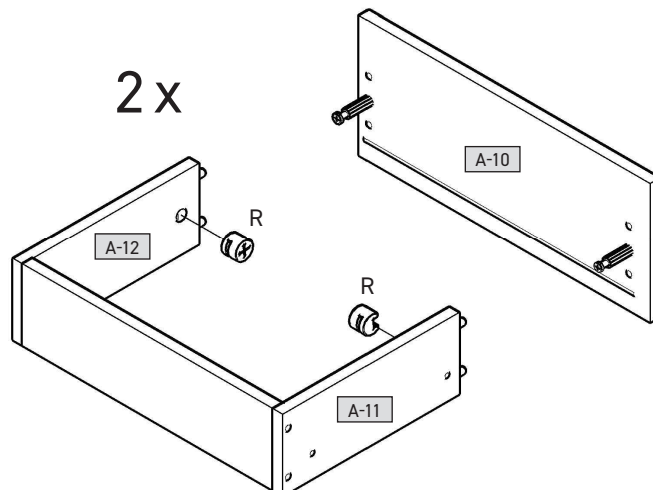
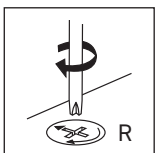
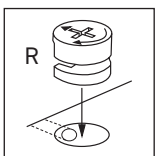
11



12

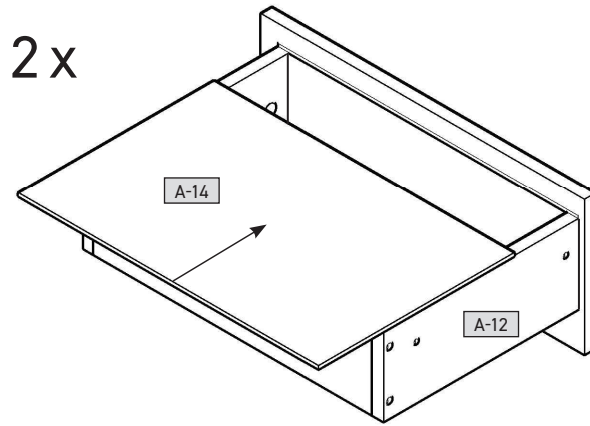


13

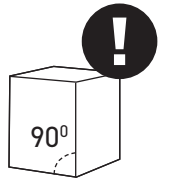
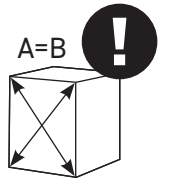
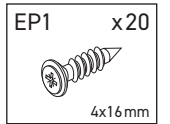
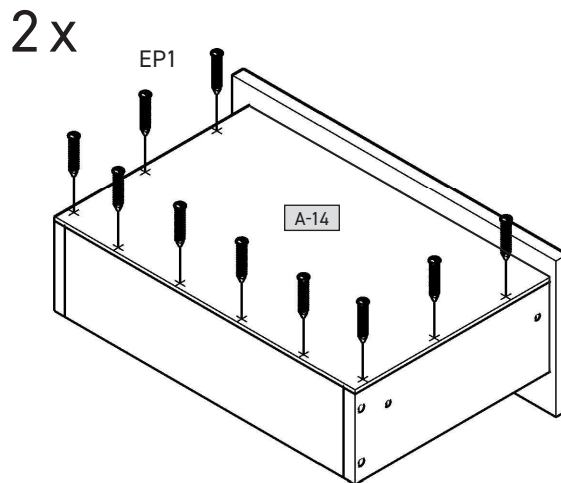
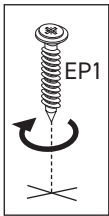




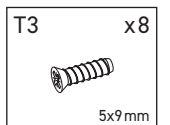
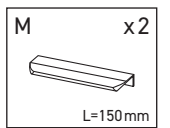
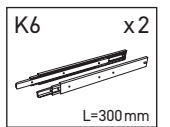
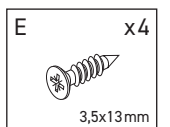
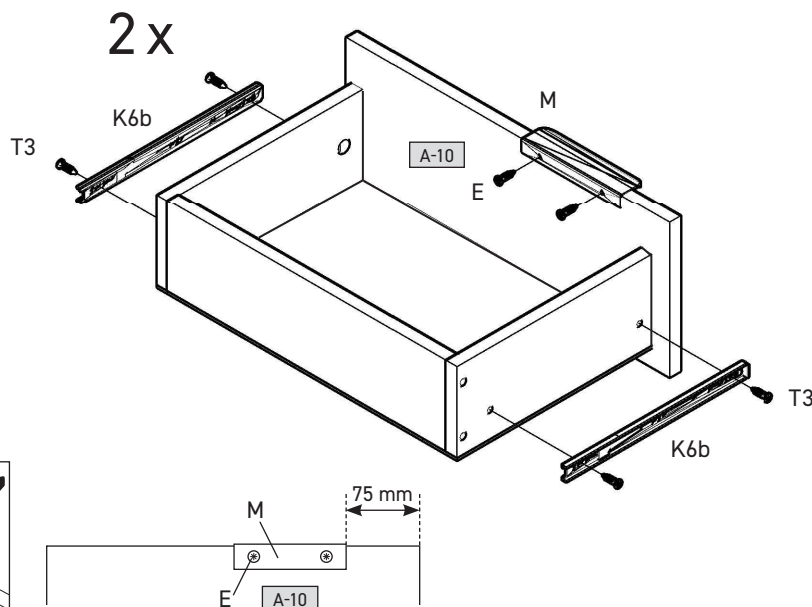
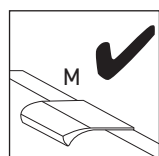
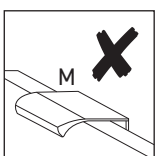
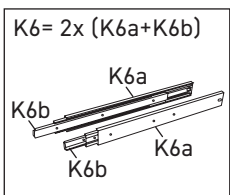
14



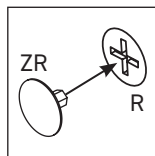
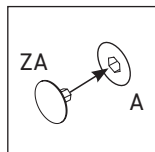
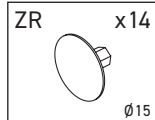
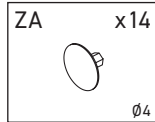
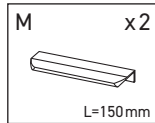
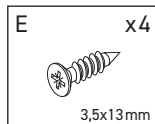
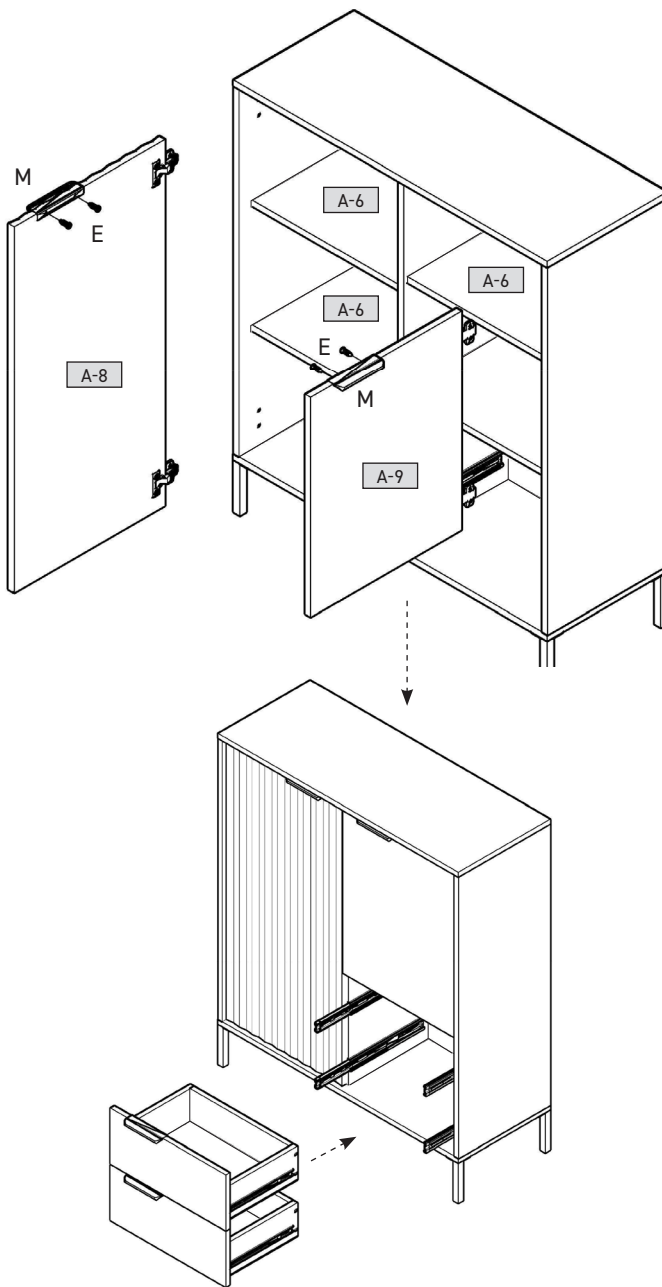
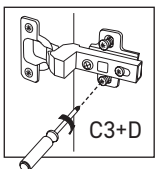
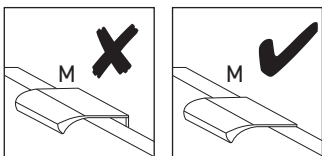
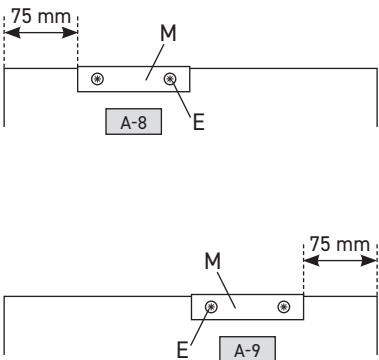
15



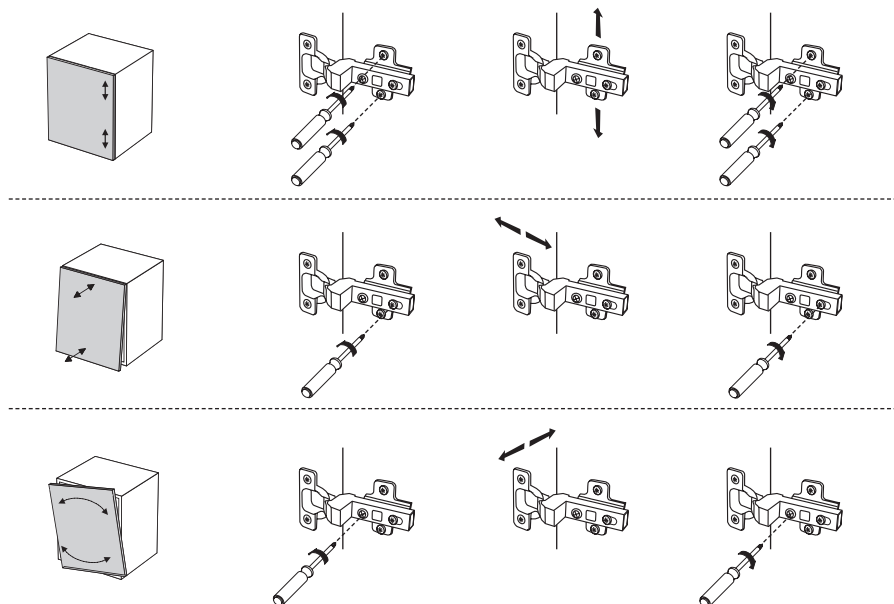
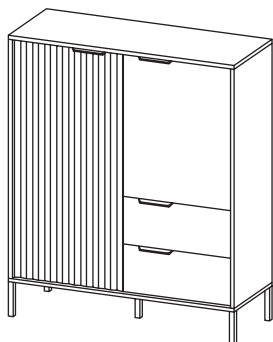
16

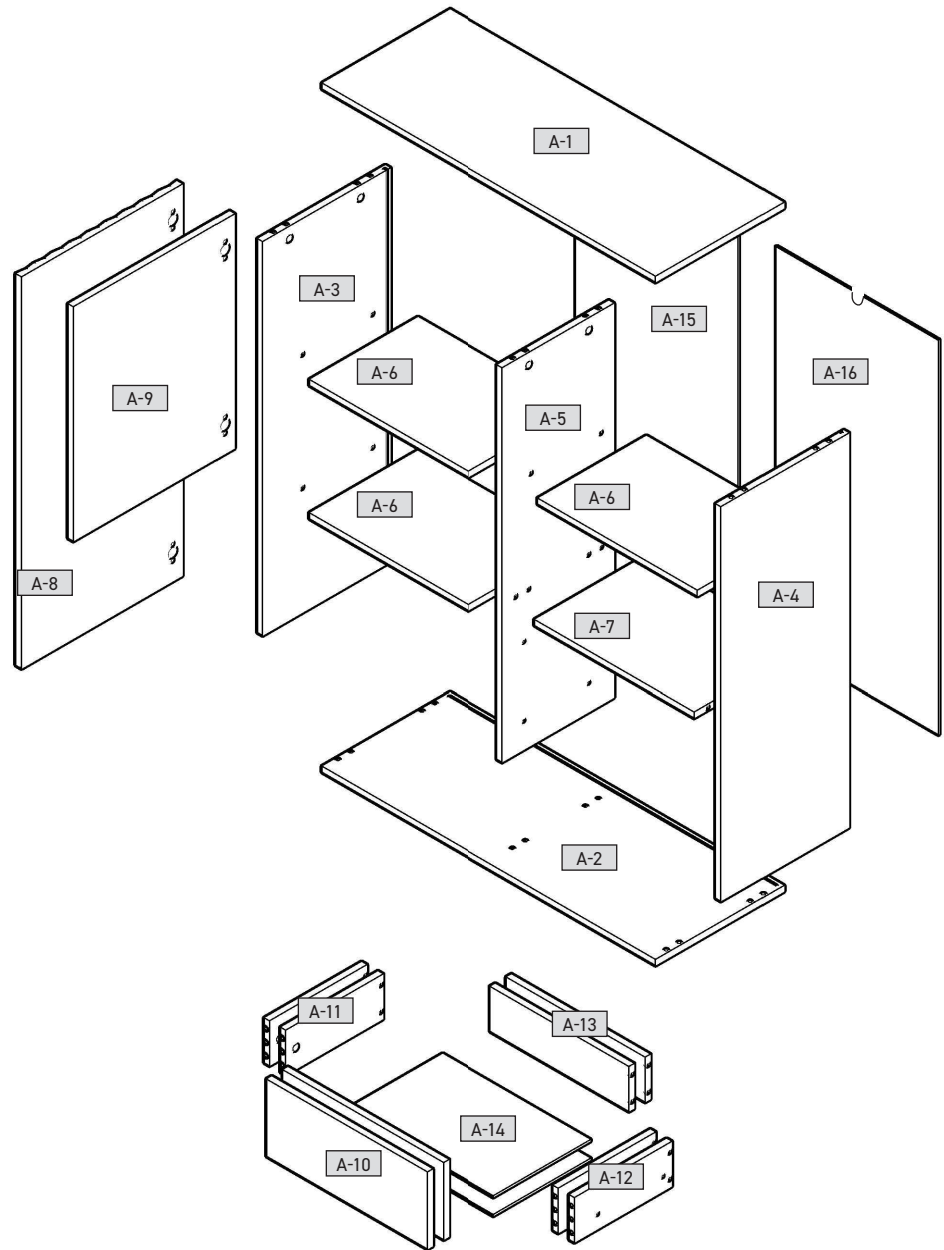
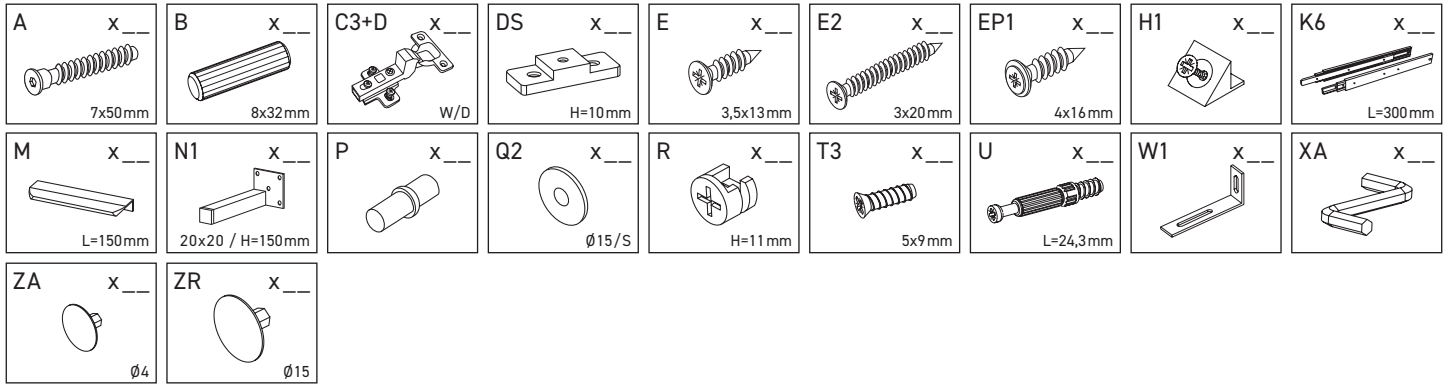


17

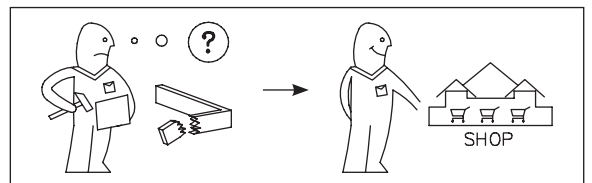
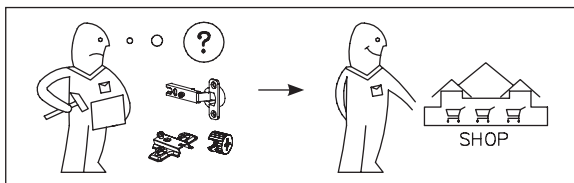
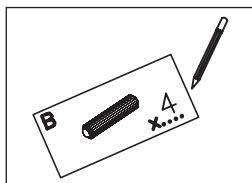


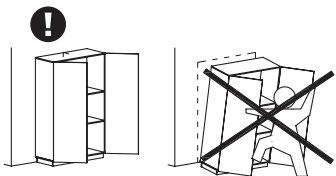
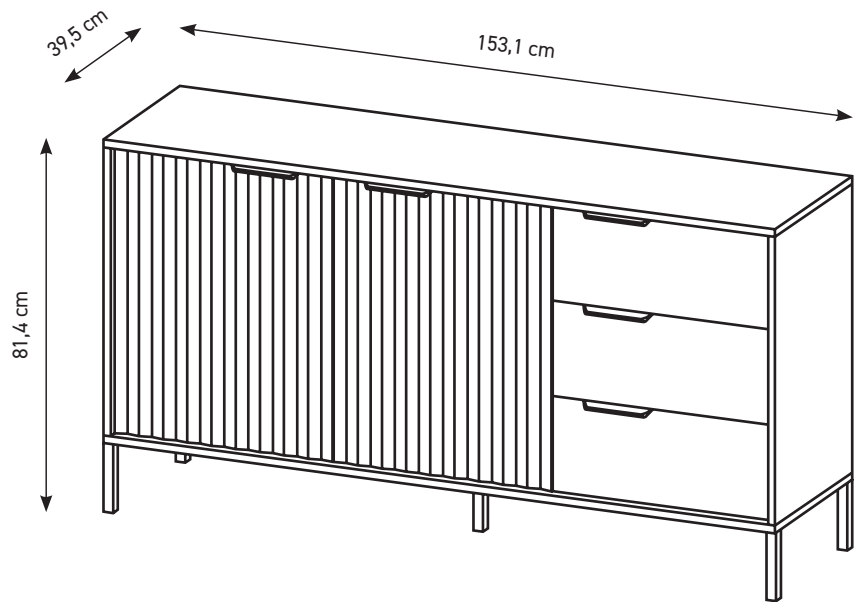
18



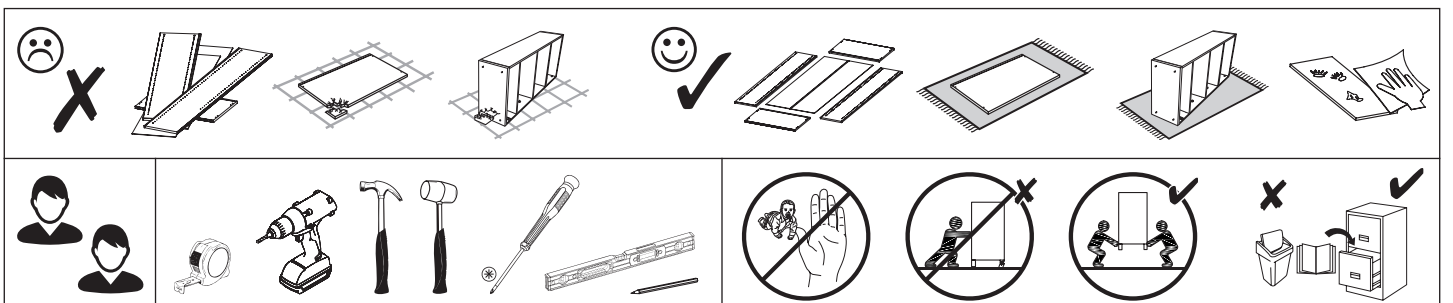


A-1	1033	395	16	x 1	1/2
A-2	1033	395	16	x 1	1/2
A-3	1052	394	16	x 1	1/2
A-4	1052	394	16	x 1	1/2
A-5	1052	347	16	x 1	1/2
A-6	492	335	16	x 3	2/2
A-7	492	345	16	x 1	1/2
A-8	496	1046	18	x 1	2/2
A-9	496	626	16	x 1	2/2
A-10	496	206	16	x 2	2/2
A-11	300	120	16	x 2	1/2
A-12	300	120	16	x 2	1/2
A-13	426	120	16	x 2	1/2
A-14	456	306	3	x 2	2/2
A-15	507	1066	3	x 1	2/2
A-16	507	1066	3	x 1	2/2



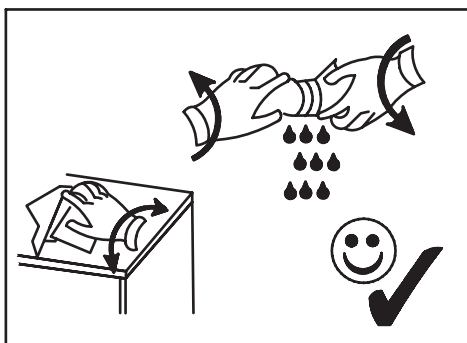
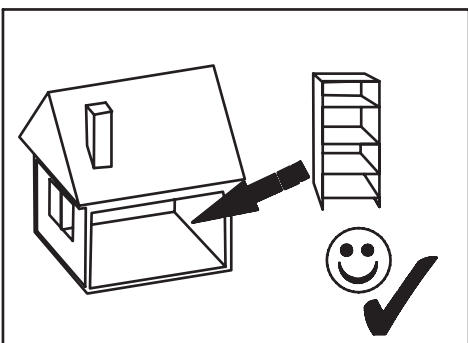
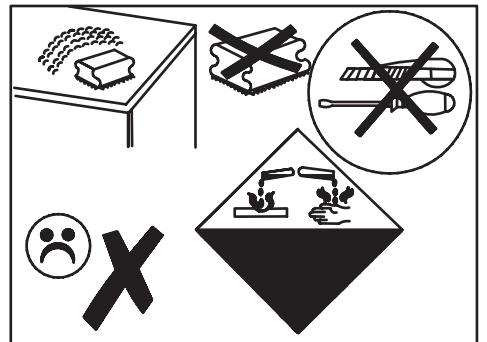
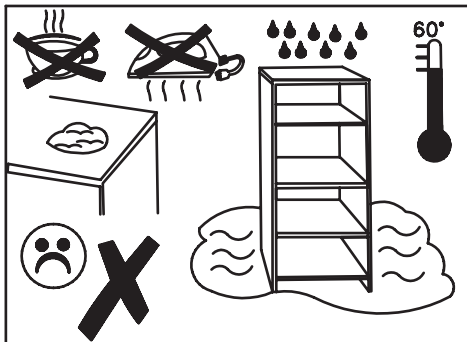
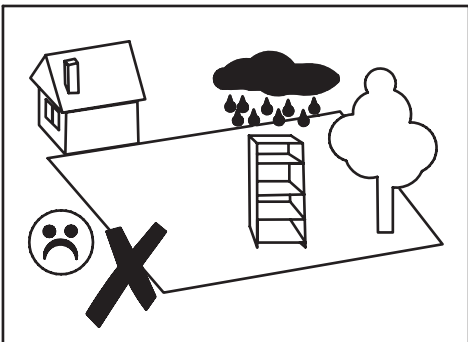


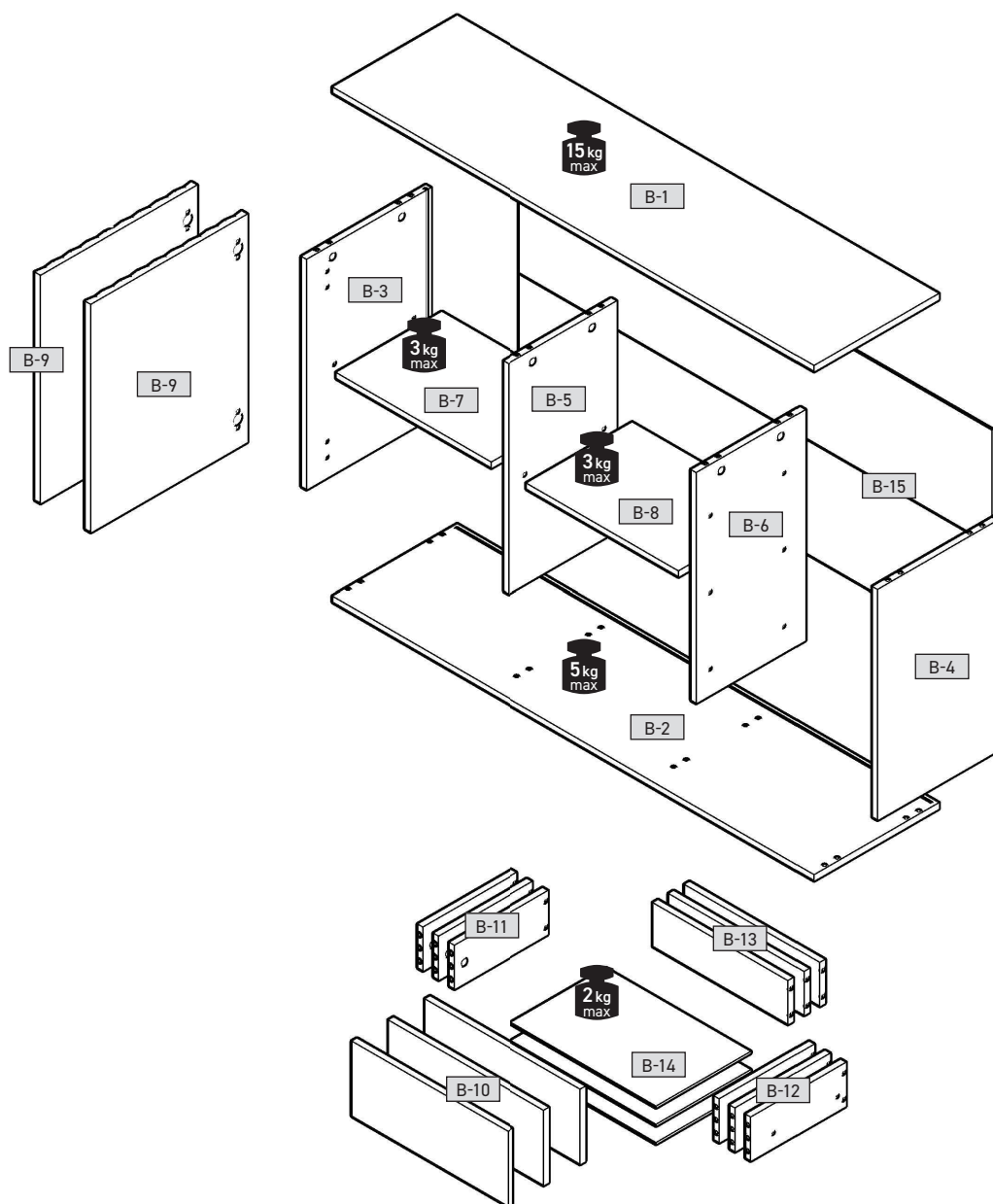
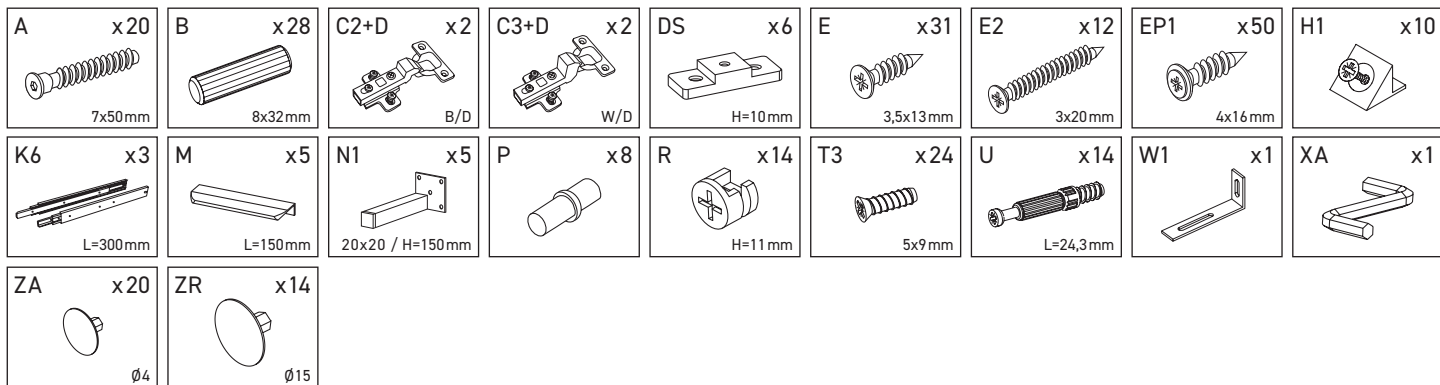
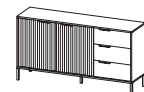
2023-04-26



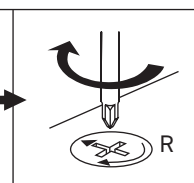
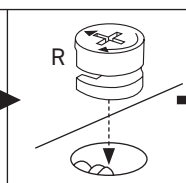
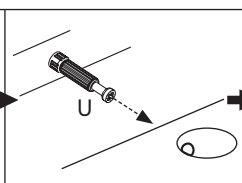
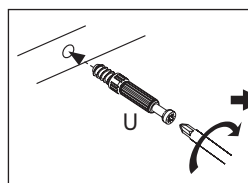
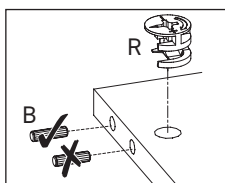
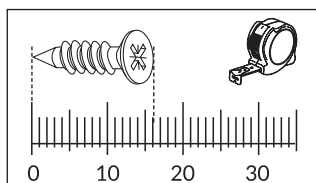


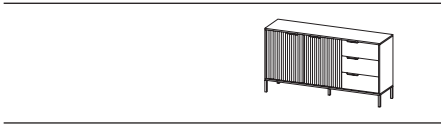
kontaktujte specialistu. montaz musi byt vykonana kompetentnou osobou.



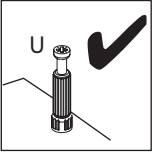
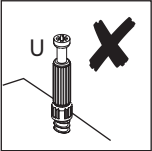
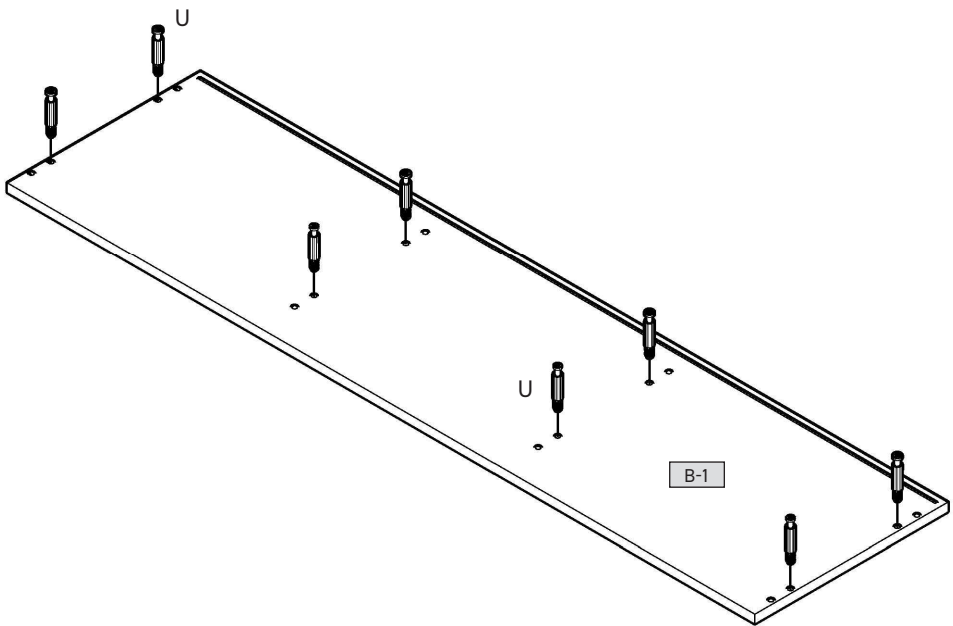
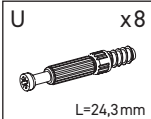


B-1	1531	395	16	x 1	1/2
B-2	1531	395	16	x 1	1/2
B-3	632	394	16	x 1	1/2
B-4	632	394	16	x 1	1/2
B-5	632	347	16	x 1	1/2
B-6	632	347	16	x 1	1/2
B-7	492	335	16	x 1	1/2
B-8	482	335	16	x 1	1/2
B-9	496	626	18	x 2	2/2
B-10	496	206	16	x 3	2/2
B-11	300	120	16	x 3	1/2
B-12	300	120	16	x 3	1/2
B-13	426	120	16	x 3	2/2
B-14	456	306	3	x 3	1/2
B-15	1512	646	3	x 1	1/2

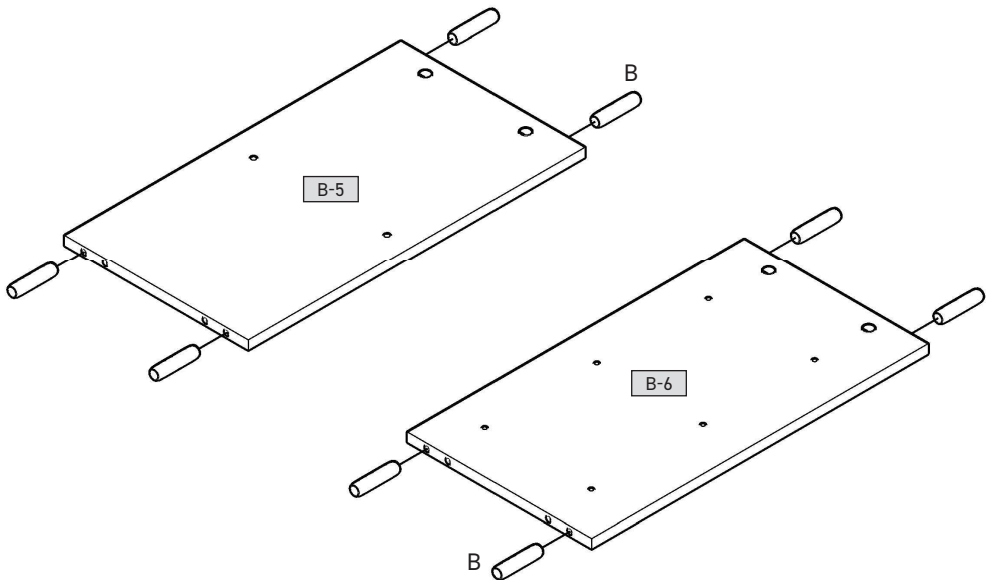
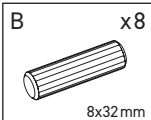


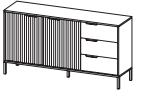


1

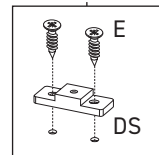
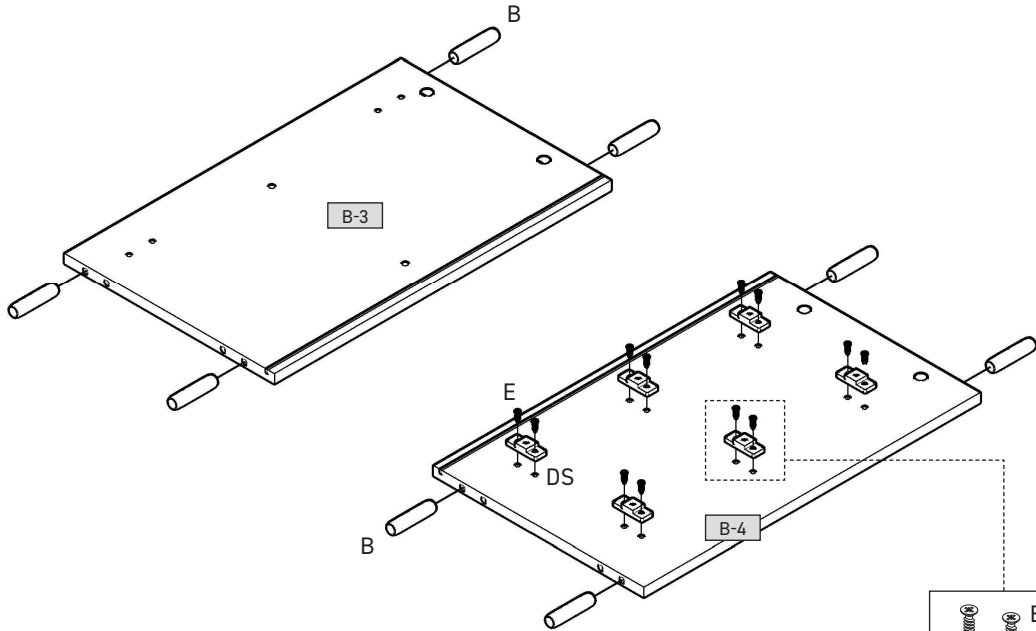
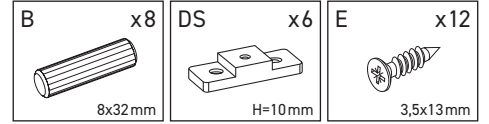


2

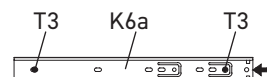
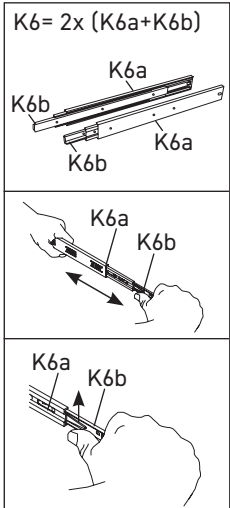
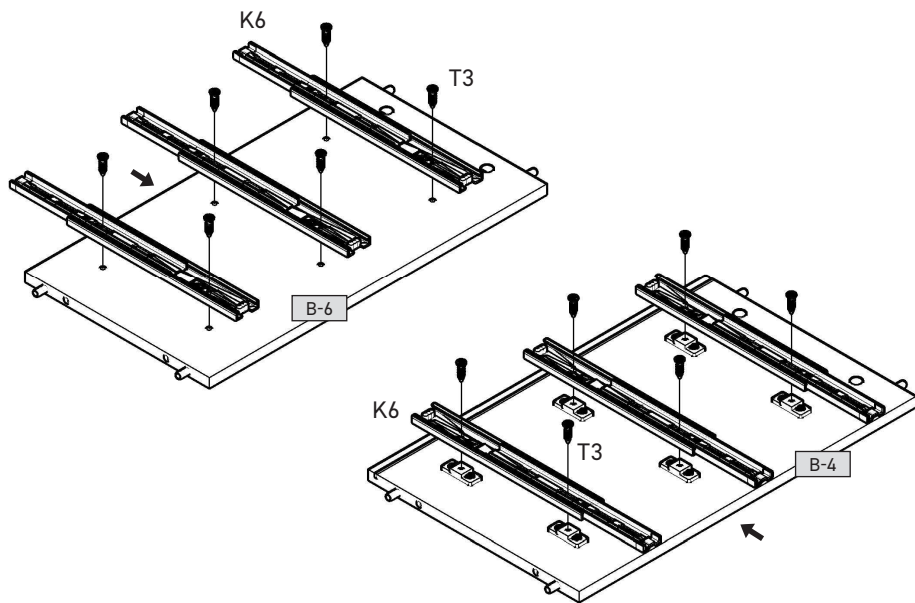
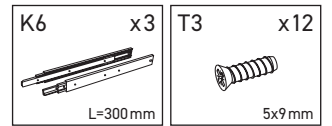




3

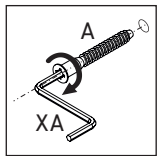
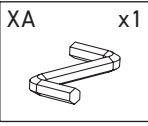
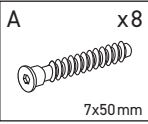
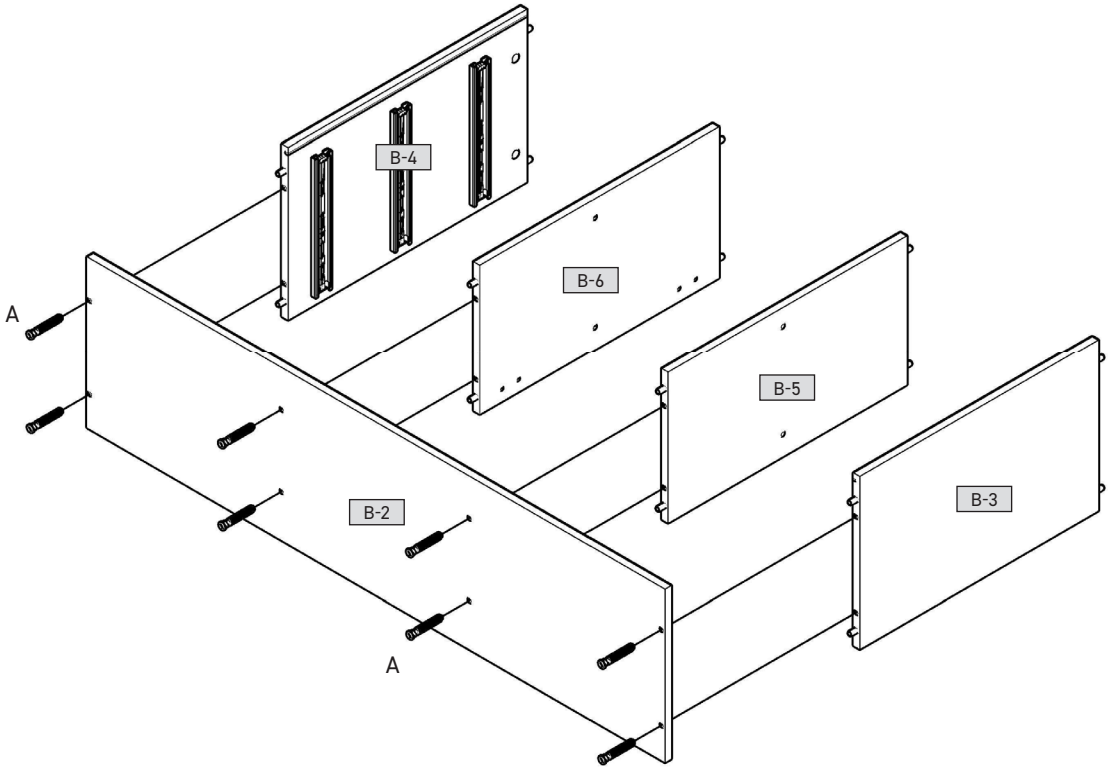


4

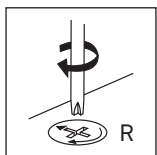
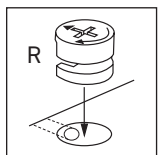
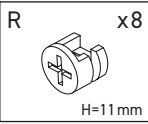
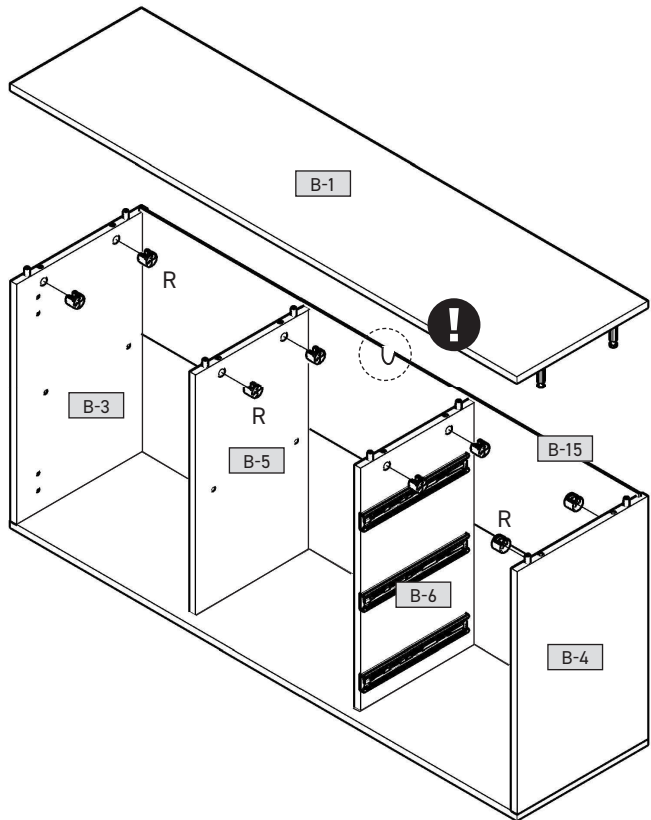


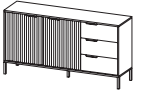


5

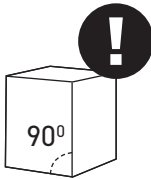
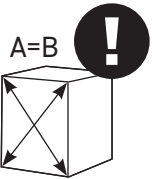
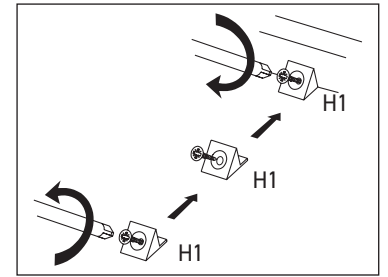
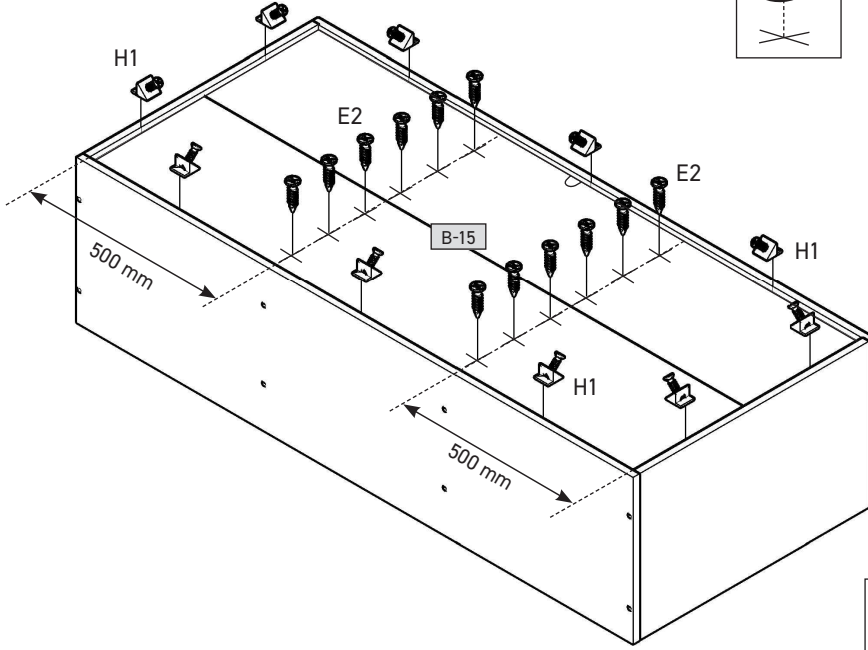
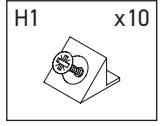
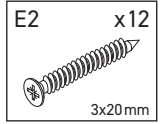
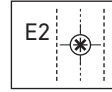
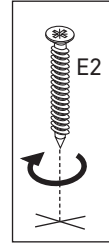


6

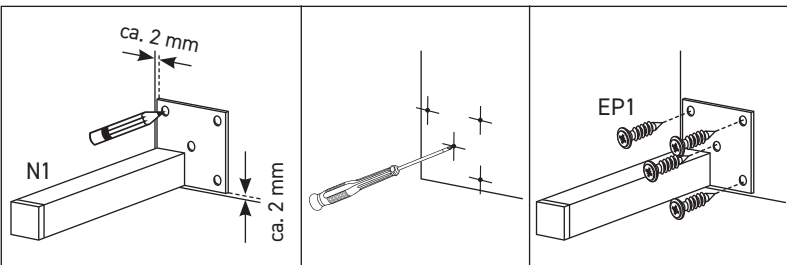
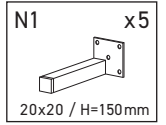
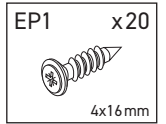
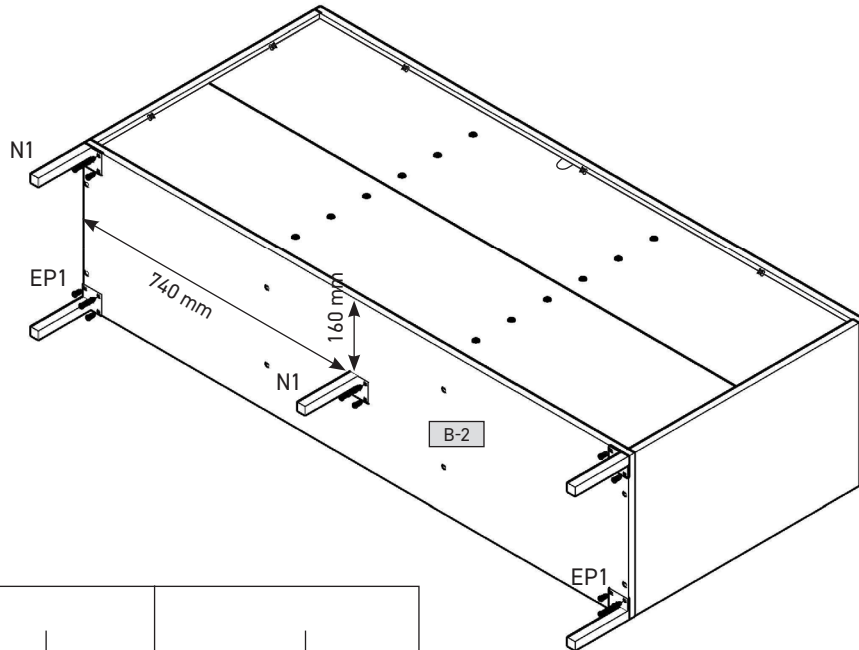


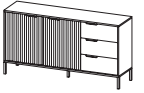


7

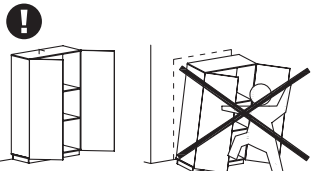
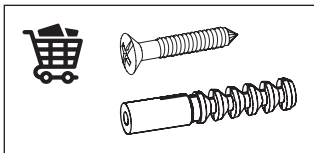
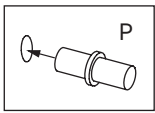
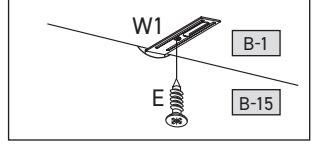
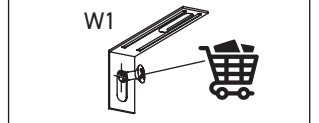
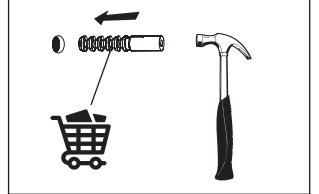
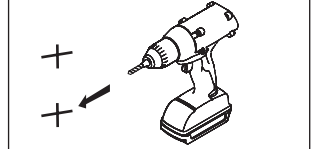
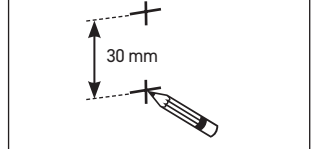
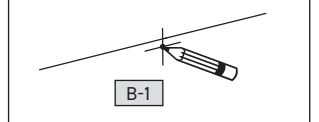
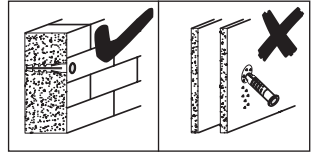
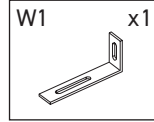
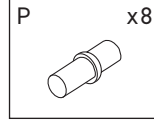
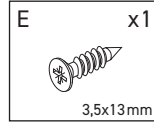
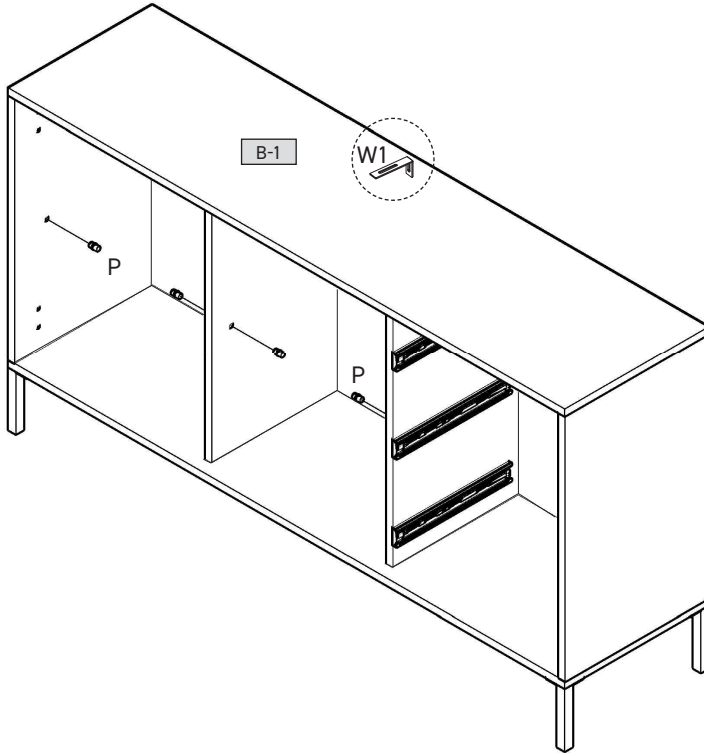


8

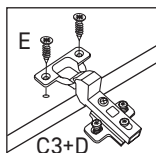
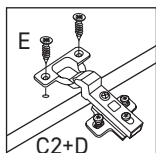
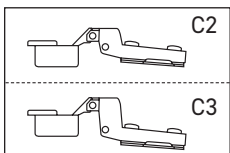
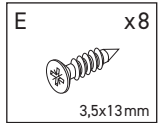
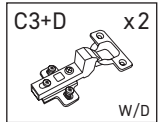
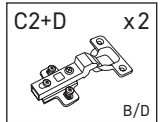
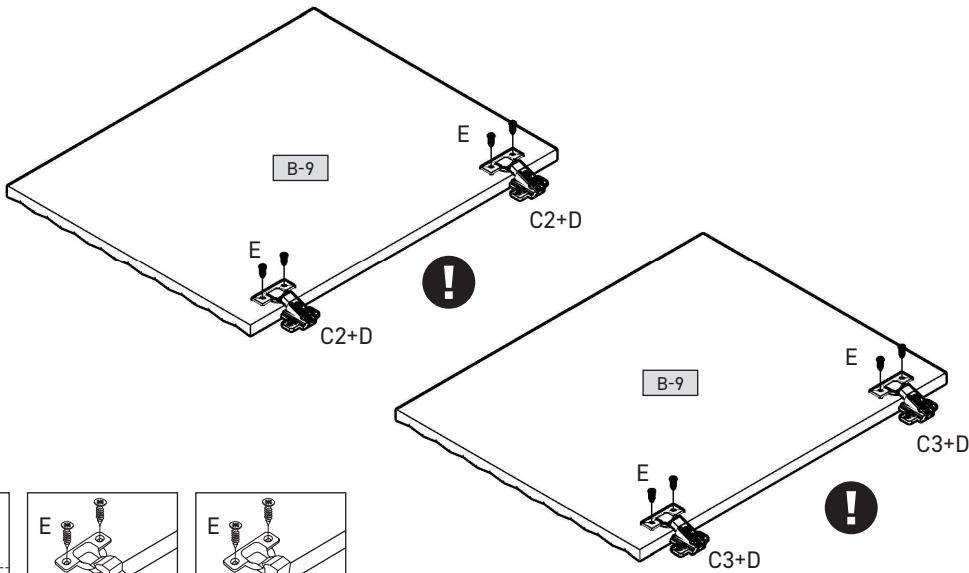


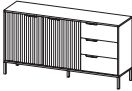


9

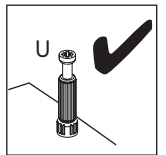
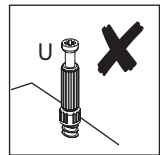
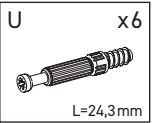
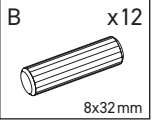
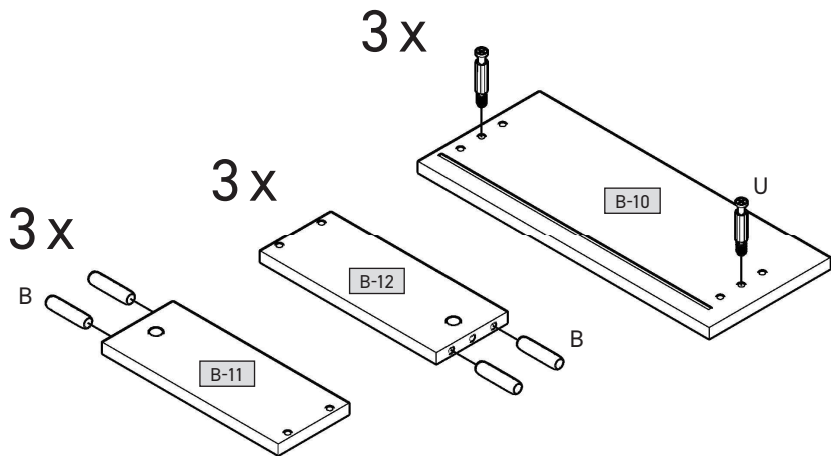


10

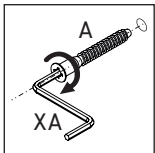
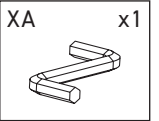
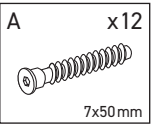
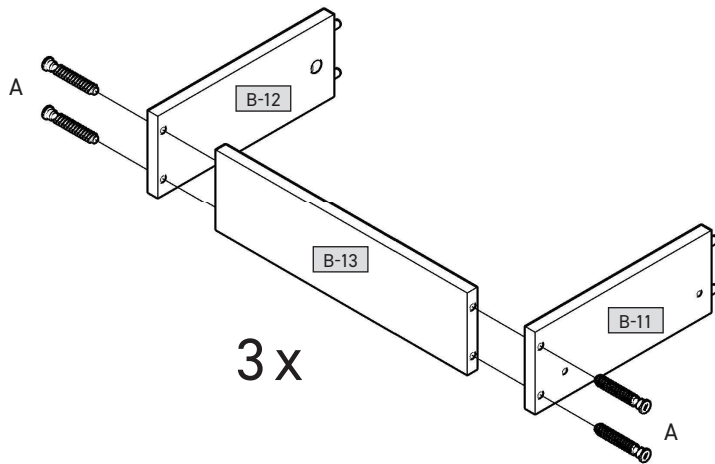




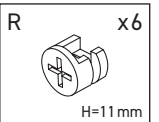
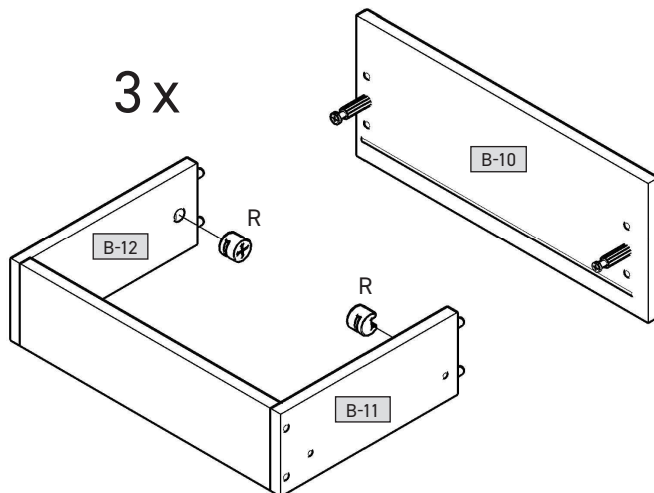
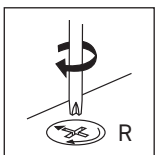
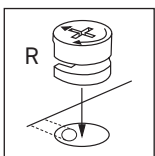
11

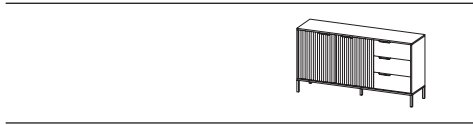


12

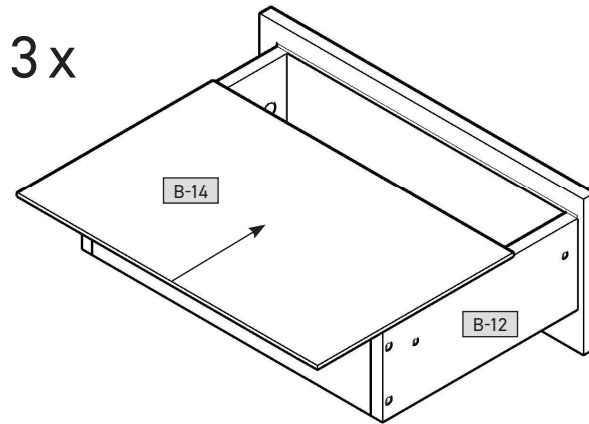


13

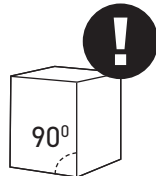
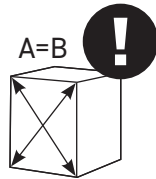
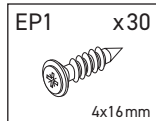
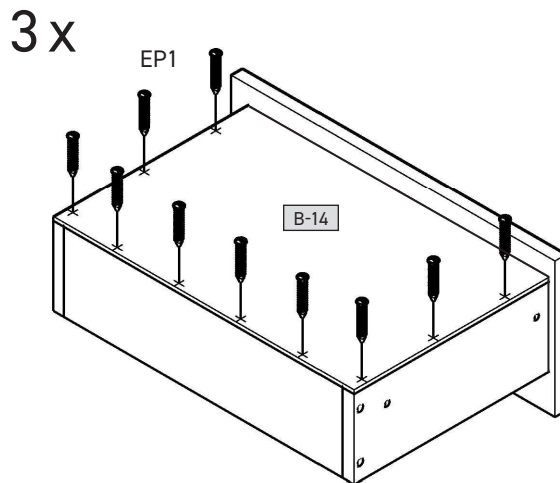
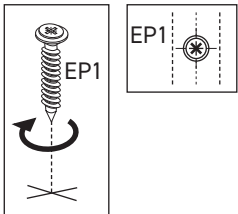
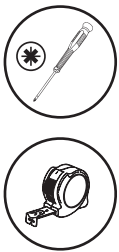




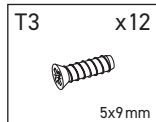
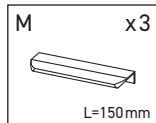
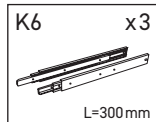
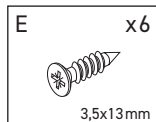
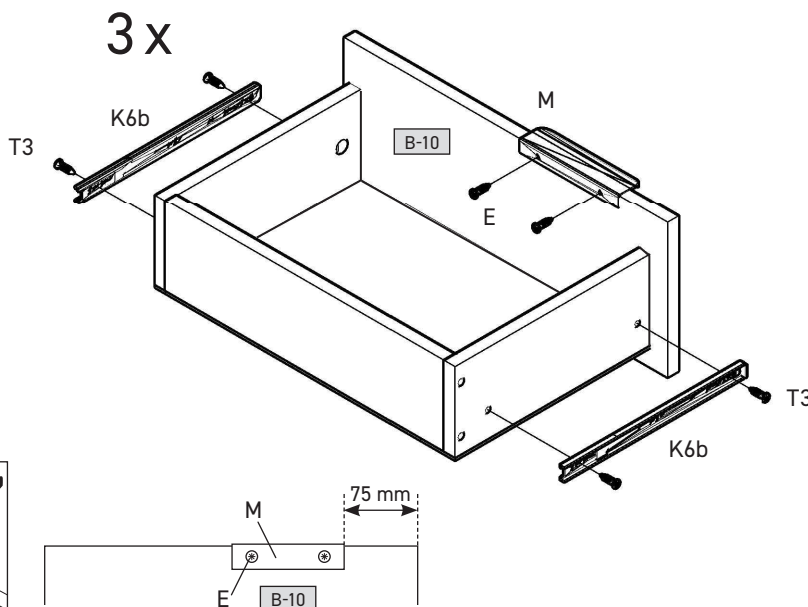
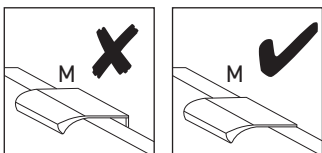
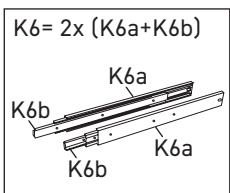
14



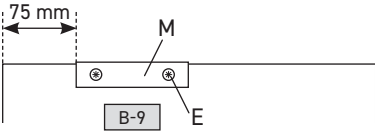
15



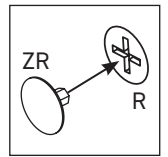
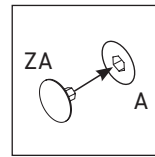
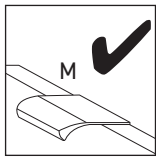
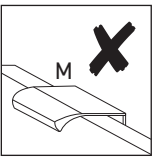
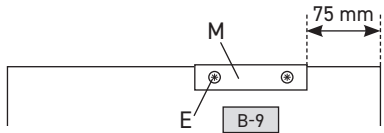
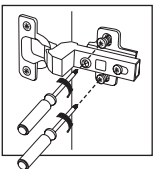
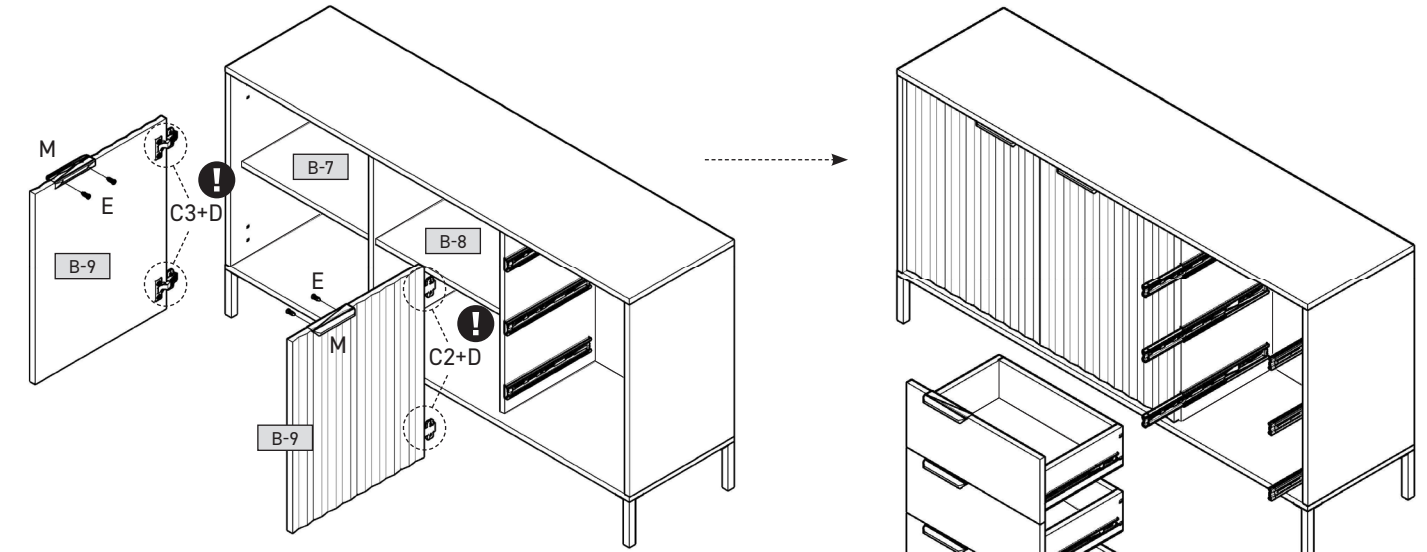
16



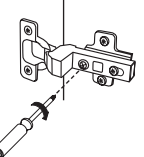
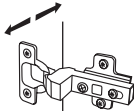
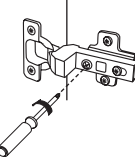
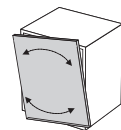
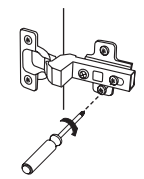
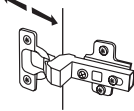
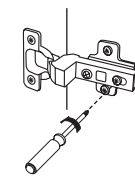
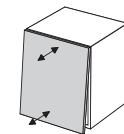
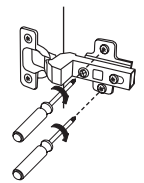
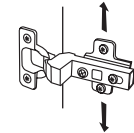
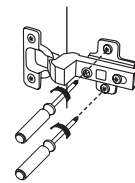
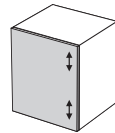
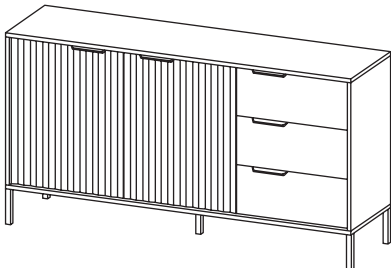
17

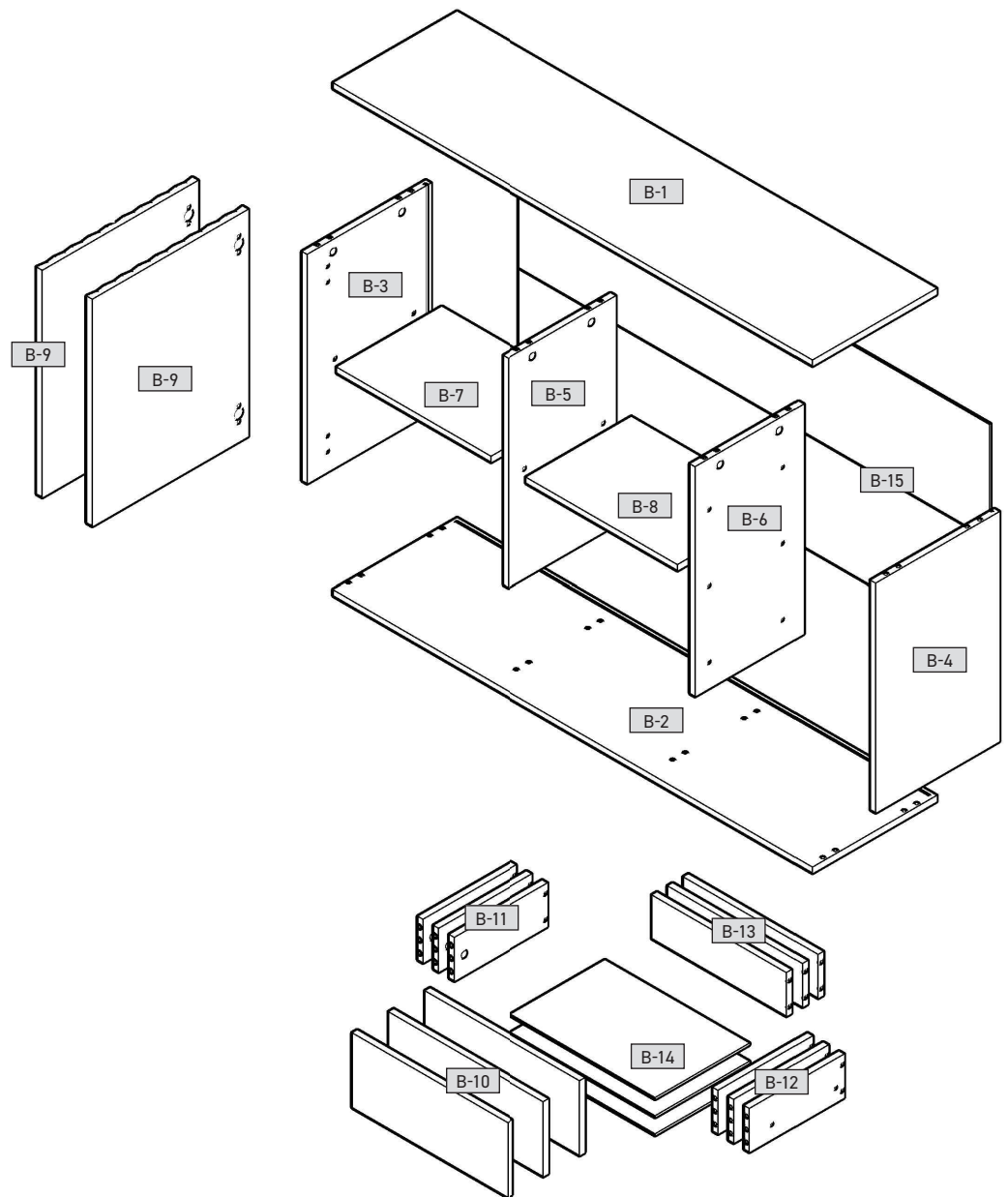
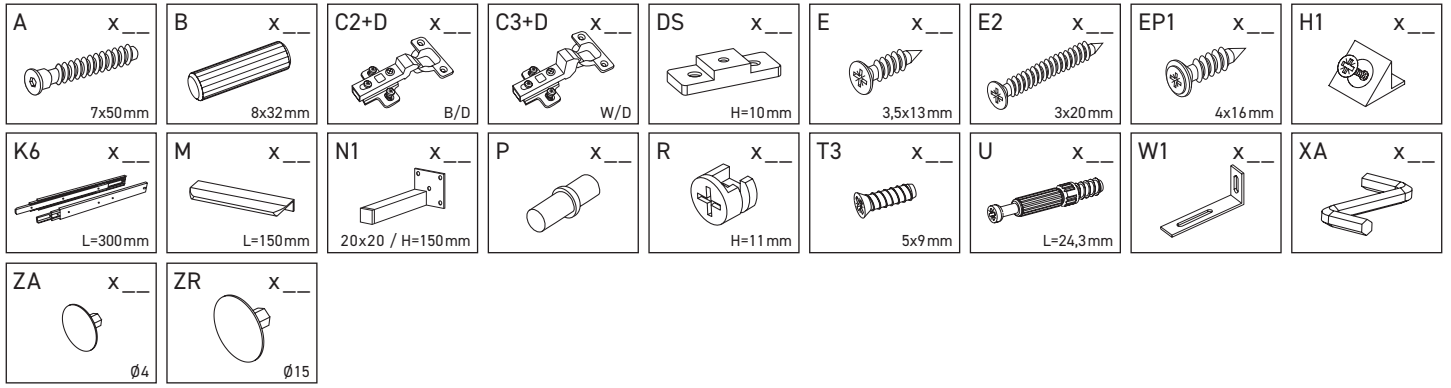


E	x4	M	x2	ZA	x20	ZR	x14
3,5x13mm		L=150mm		Ø4		Ø15	

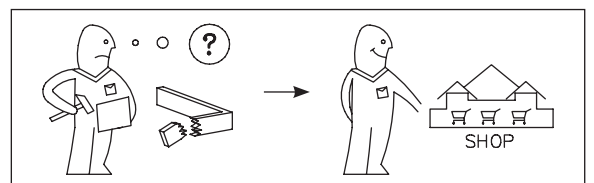
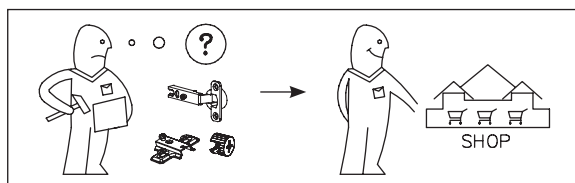
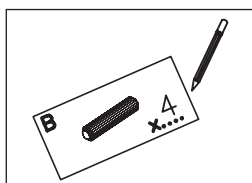


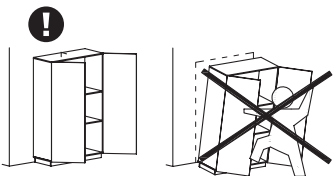
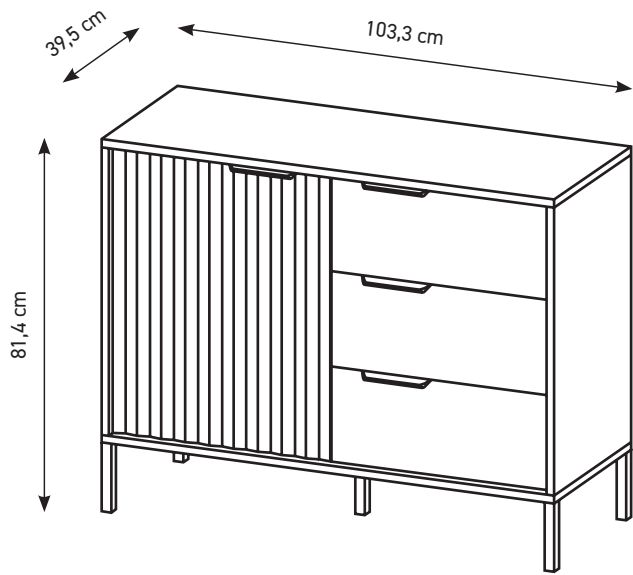
18



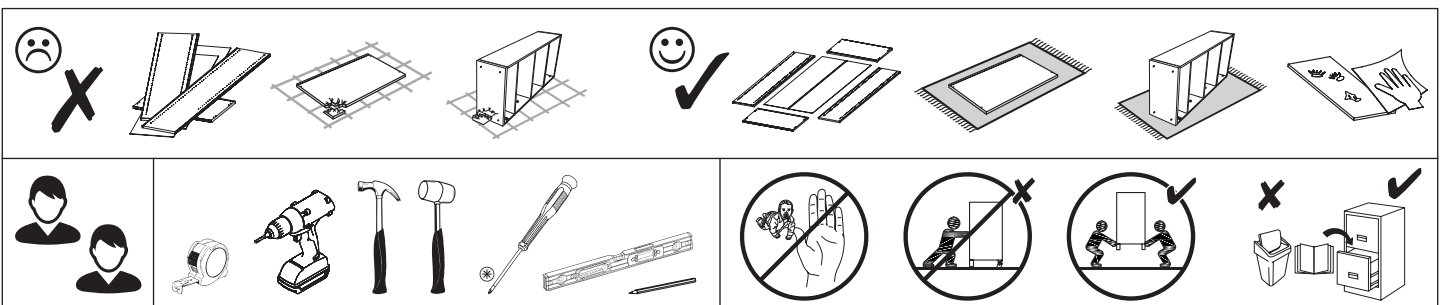


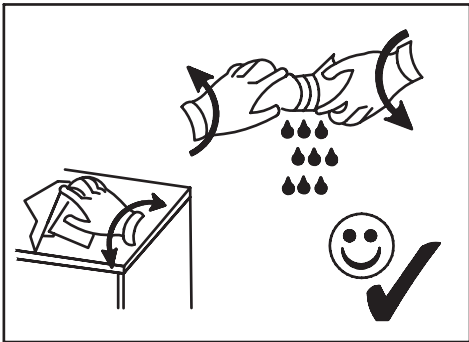
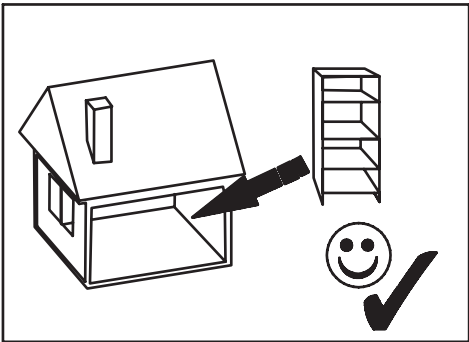
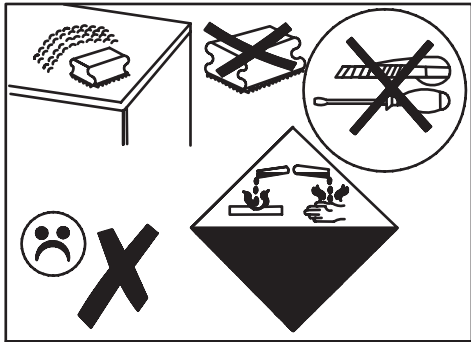
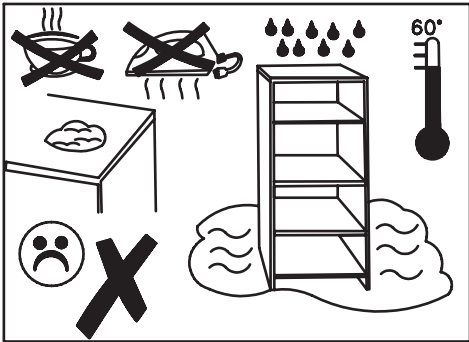
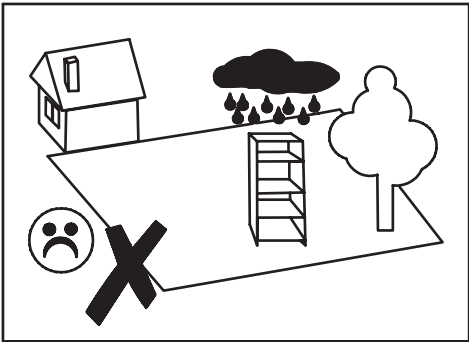
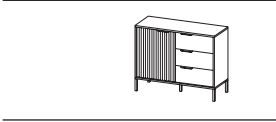
B-1	1531	395	16	x 1	1/2
B-2	1531	395	16	x 1	1/2
B-3	632	394	16	x 1	1/2
B-4	632	394	16	x 1	1/2
B-5	632	347	16	x 1	1/2
B-6	632	347	16	x 1	1/2
B-7	492	335	16	x 1	1/2
B-8	482	335	16	x 1	1/2
B-9	496	626	18	x 2	2/2
B-10	496	206	16	x 3	2/2
B-11	300	120	16	x 3	1/2
B-12	300	120	16	x 3	1/2
B-13	426	120	16	x 3	2/2
B-14	456	306	3	x 3	1/2
B-15	1512	646	3	x 1	1/2

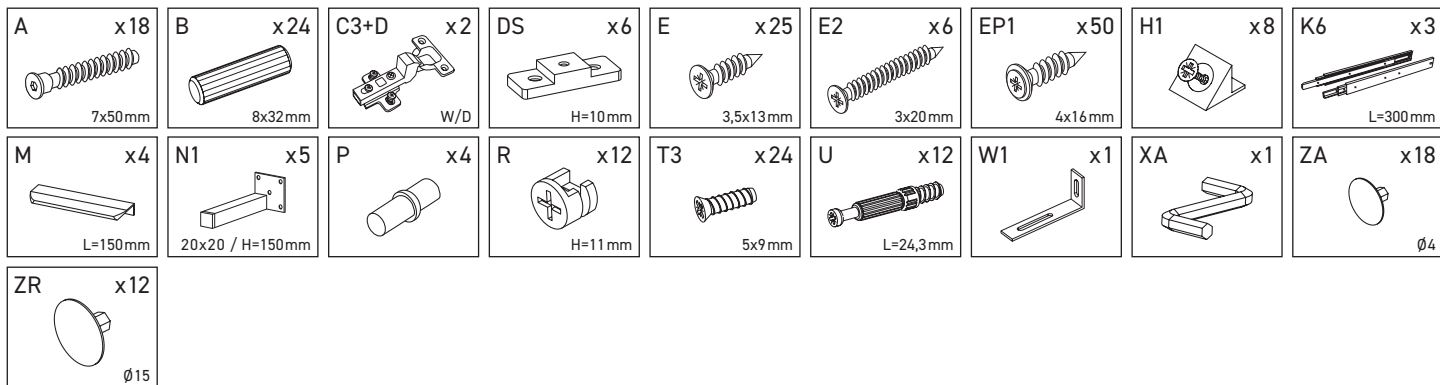




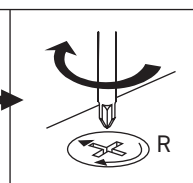
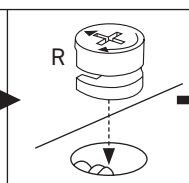
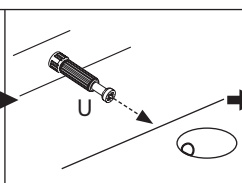
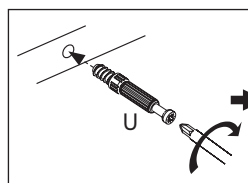
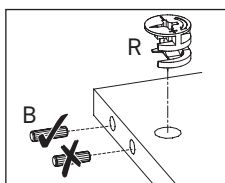
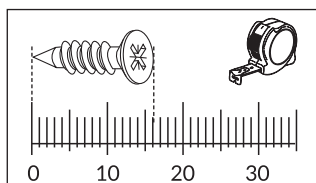
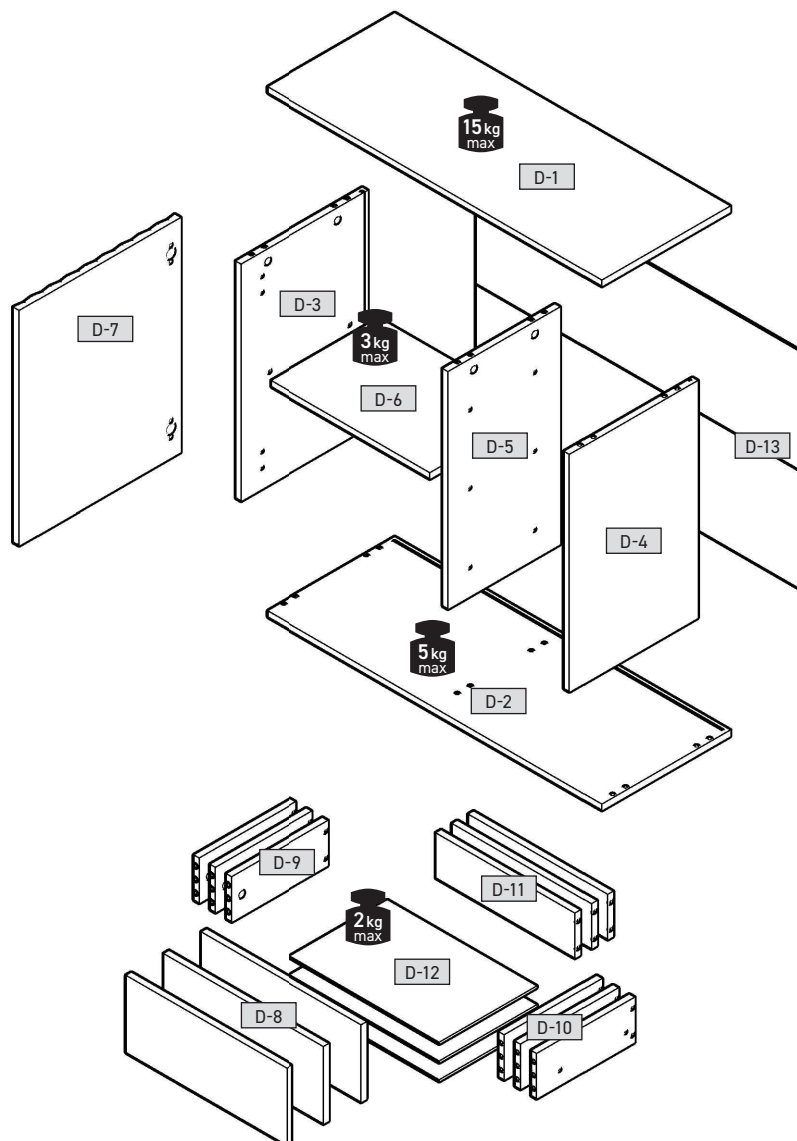
2023-04-27







D-1	1033	395	16	x 1	1/1
D-2	1033	395	16	x 1	1/1
D-3	632	394	16	x 1	1/1
D-4	632	394	16	x 1	1/1
D-5	632	347	16	x 1	1/1
D-6	492	335	16	x 1	1/1
D-7	496	626	18	x 1	1/1
D-8	496	206	16	x 3	1/1
D-9	300	120	16	x 3	1/1
D-10	300	120	16	x 3	1/1
D-11	426	120	16	x 3	1/1
D-12	456	306	3	x 3	1/1
D-13	1014	646	3	x 1	1/1

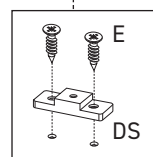
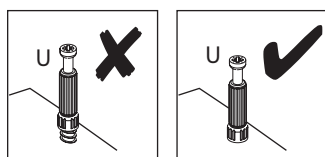
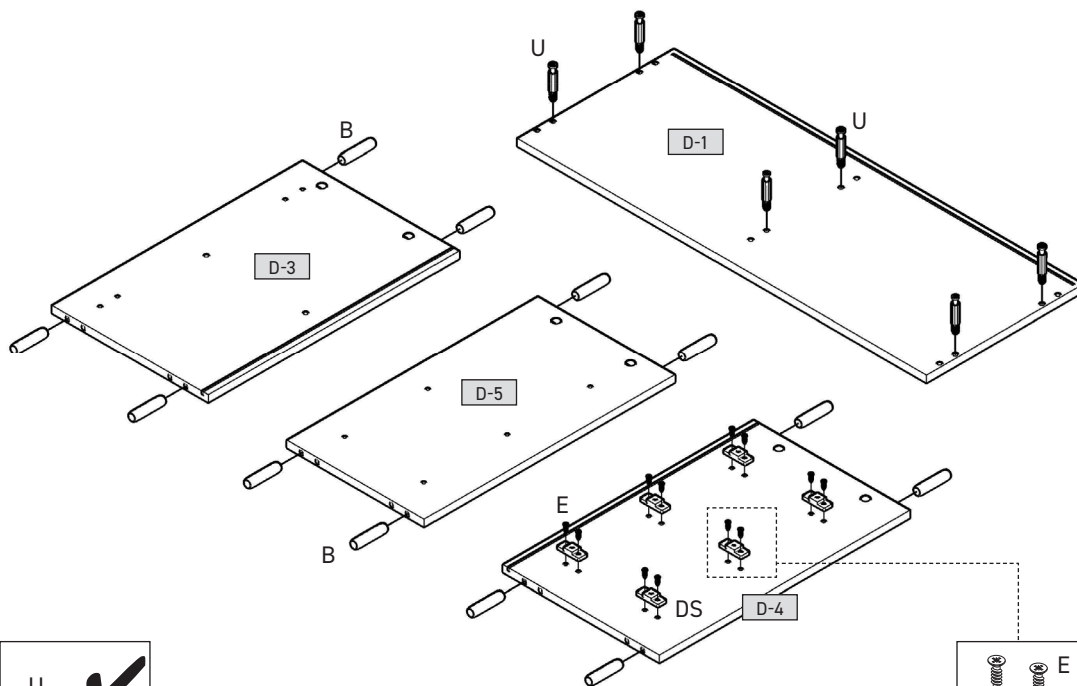




1



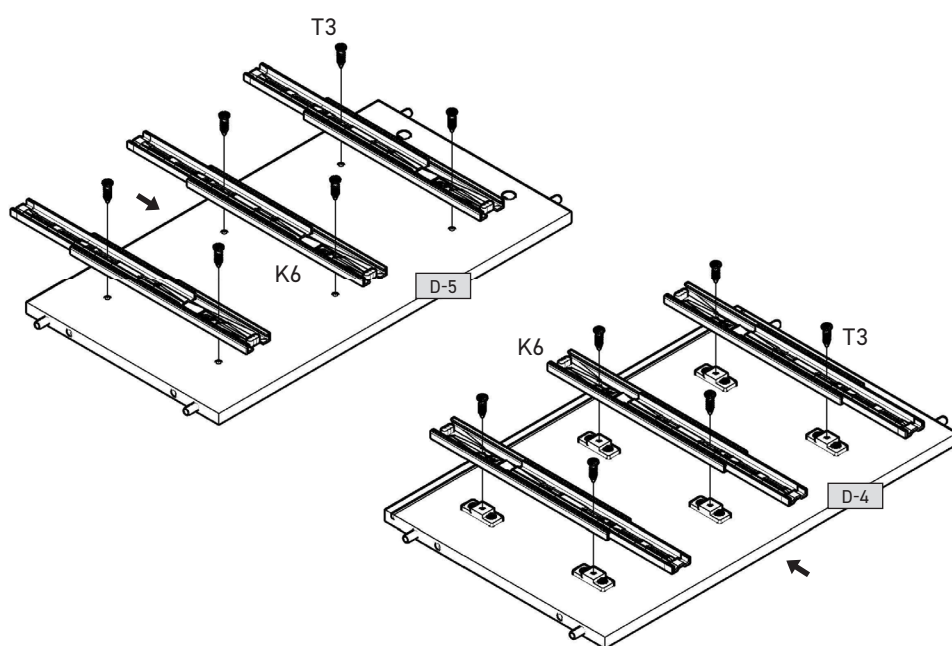
B x12 8x32mm	DS x6 H=10mm	E x12 3,5x13mm	U x6 L=24,3mm
------------------------	------------------------	--------------------------	-------------------------



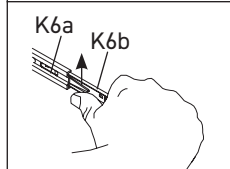
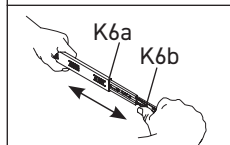
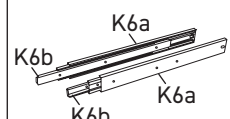
2



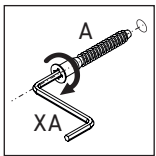
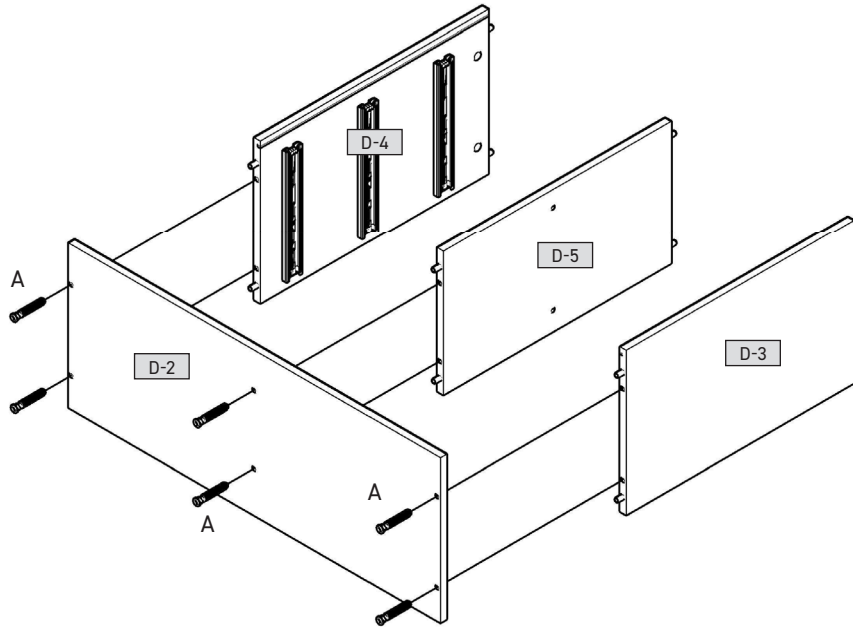
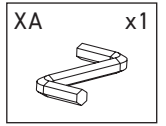
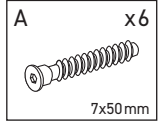
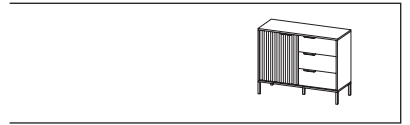
K6 x3 L=300mm	T3 x12 5x9mm
-------------------------	------------------------



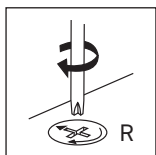
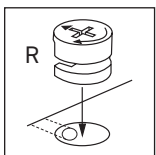
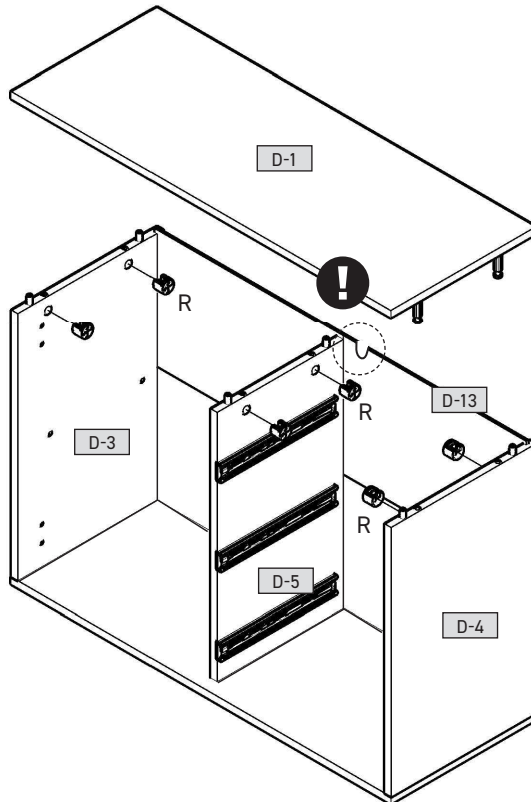
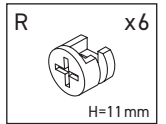
K6 = 2x (K6a+K6b)



3

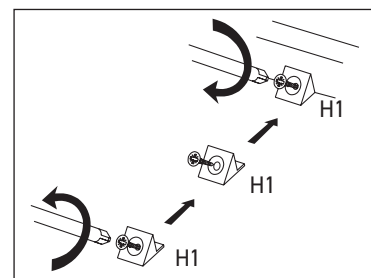
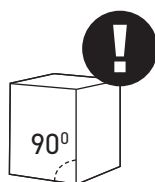
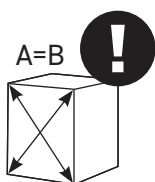
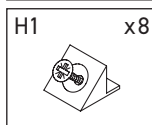
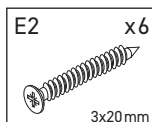
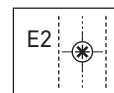
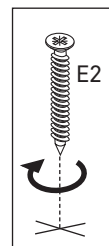
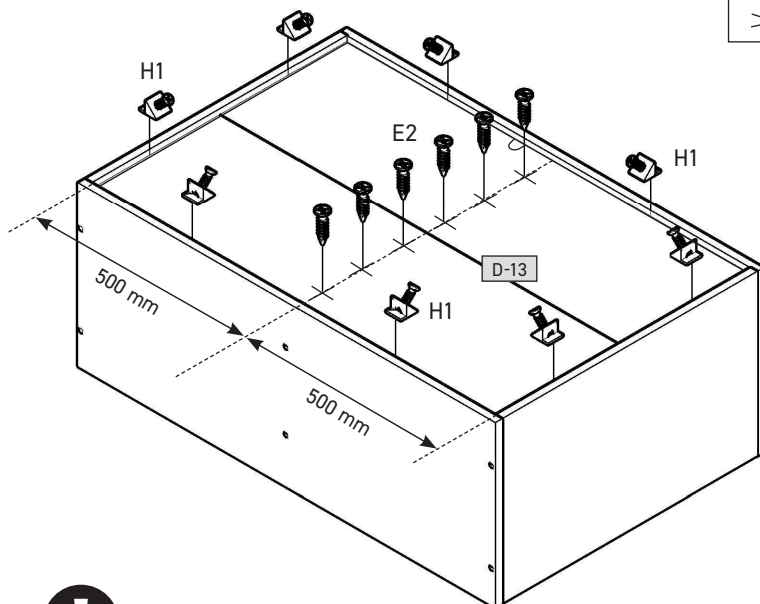
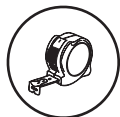


4

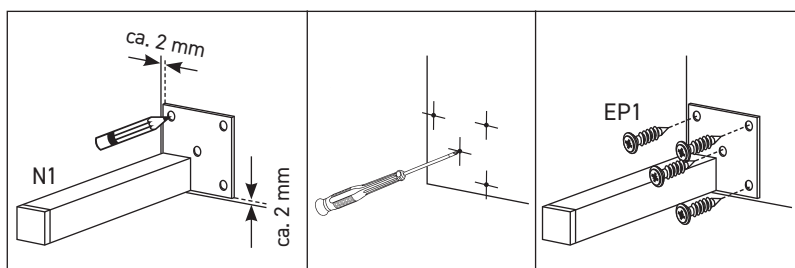
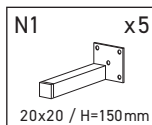
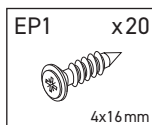
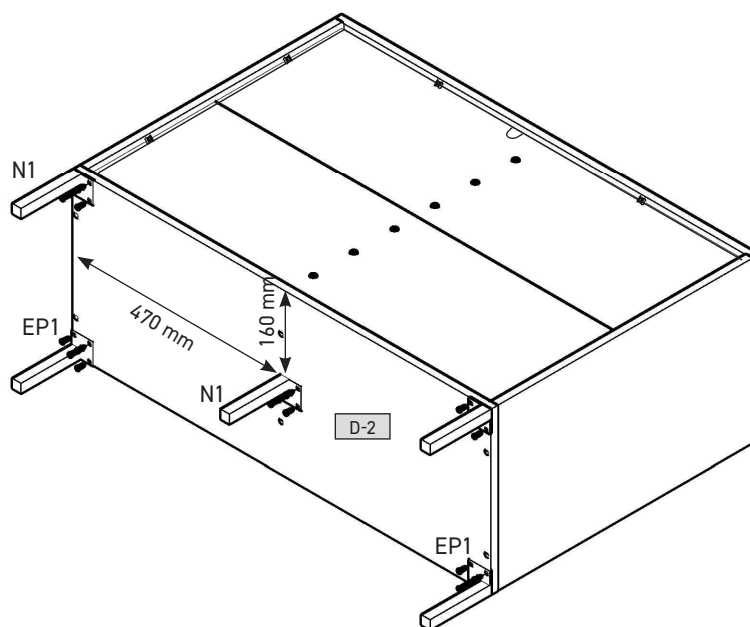
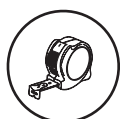




5

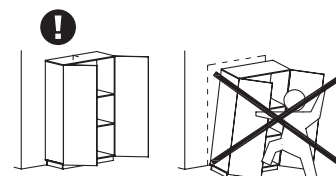
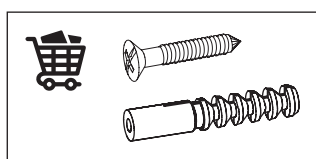
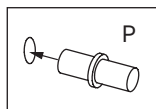
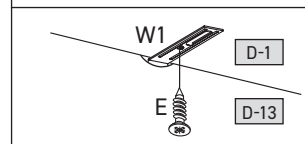
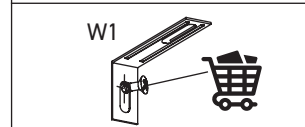
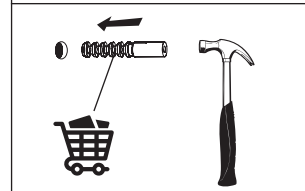
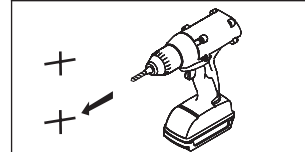
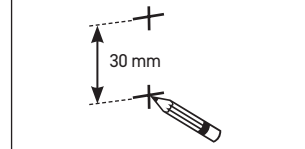
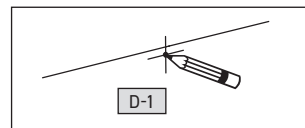
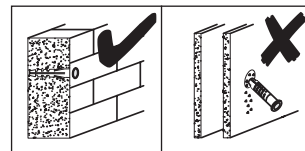
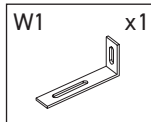
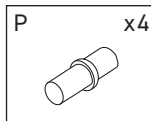
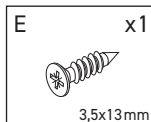
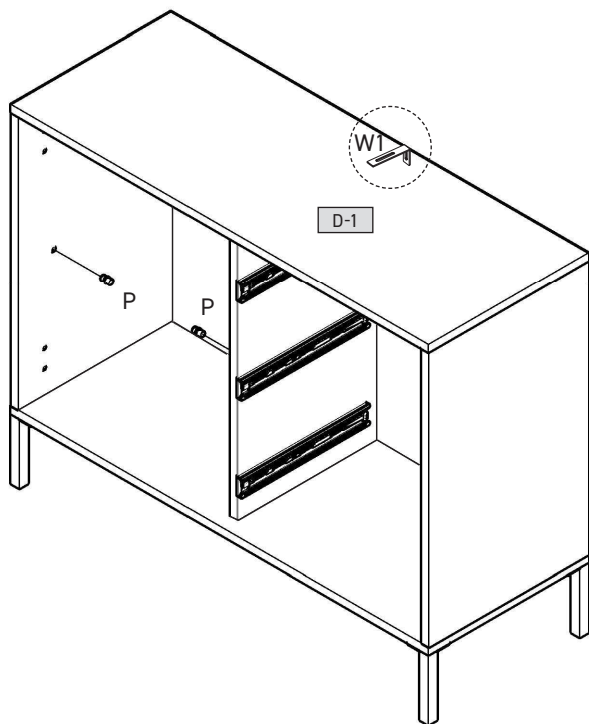
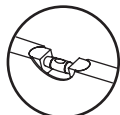
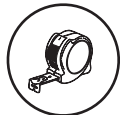


6

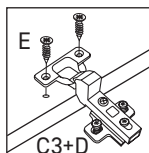
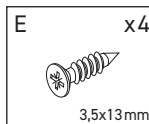
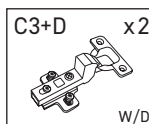
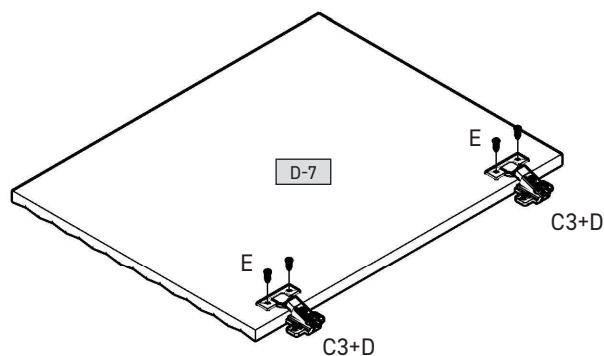




7

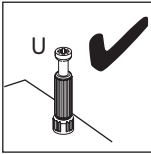
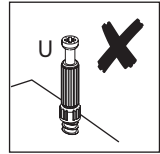
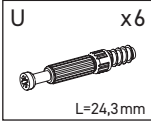
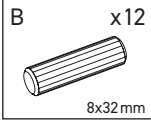
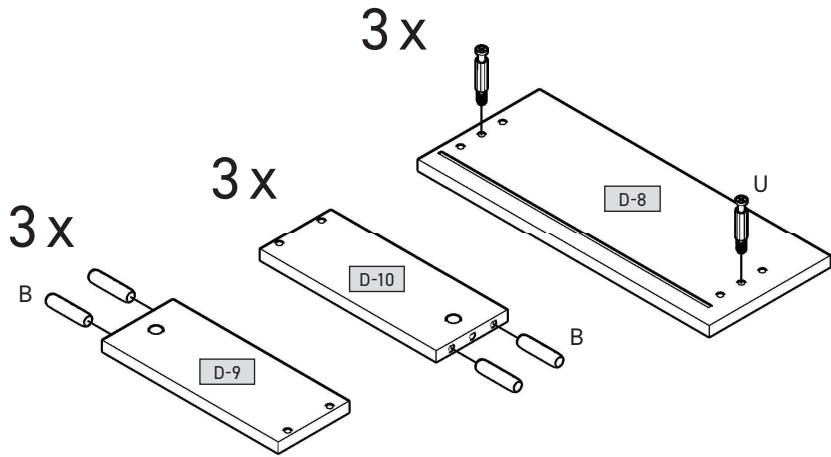


8

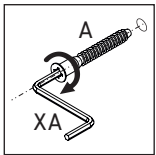
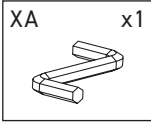
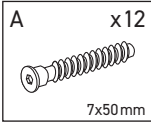
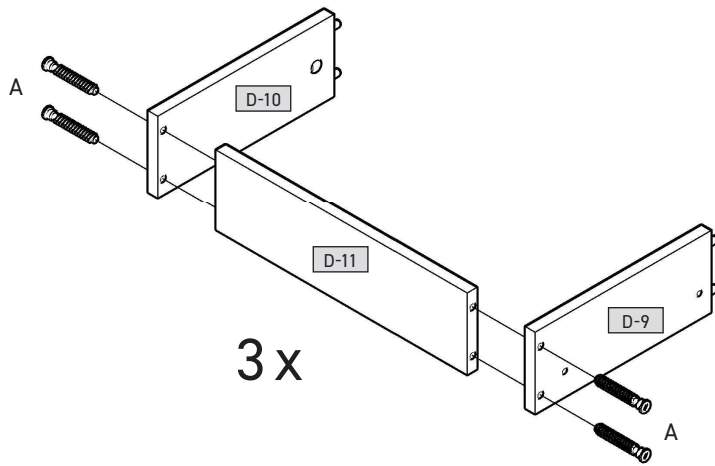




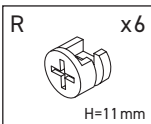
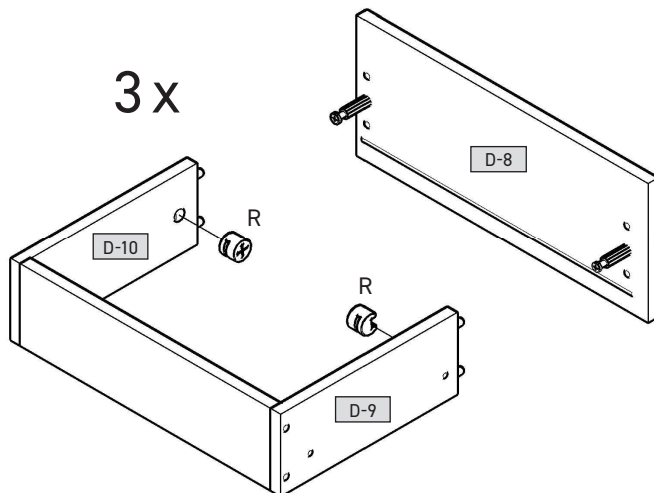
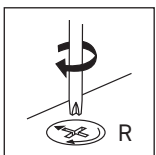
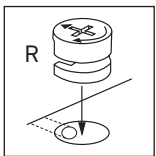
9



10

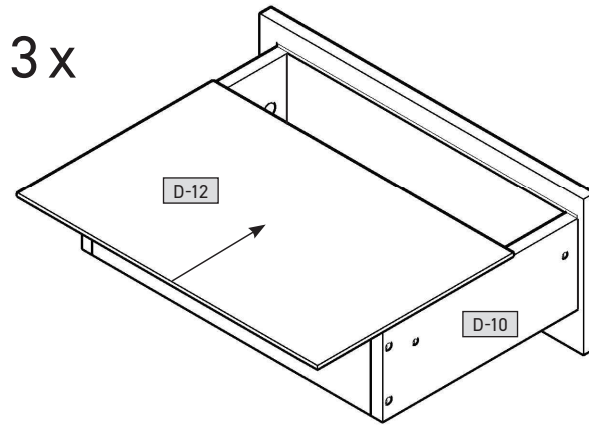


11

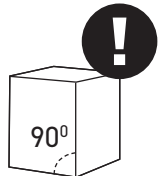
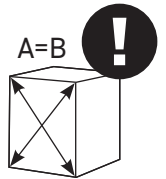
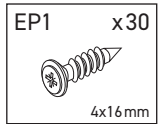
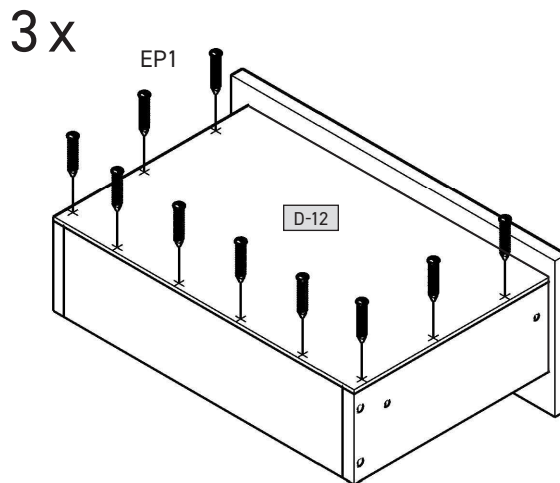
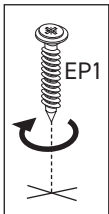




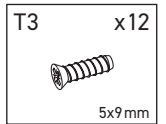
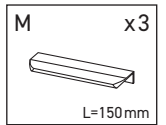
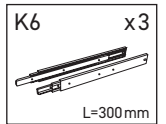
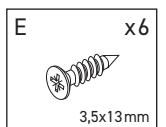
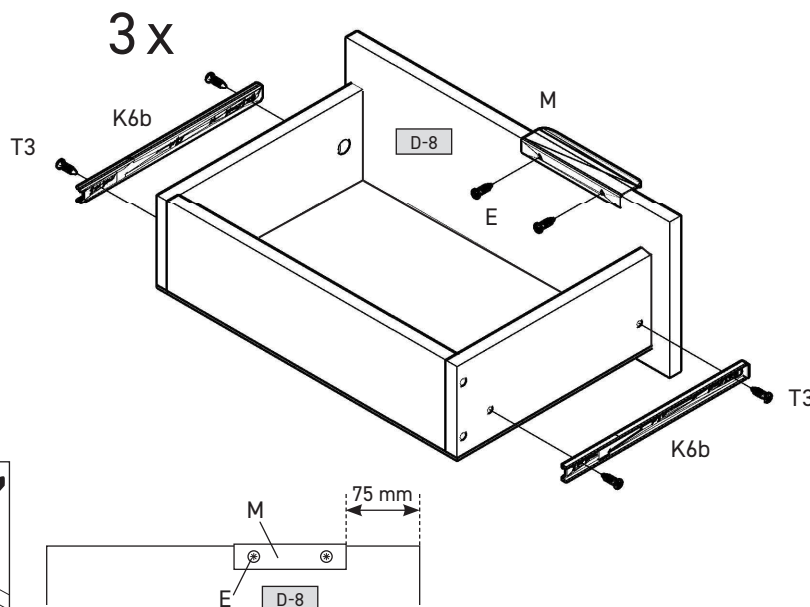
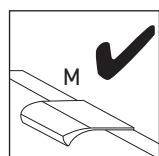
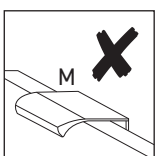
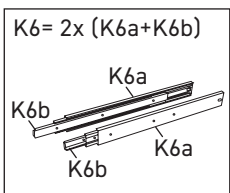
12



13



14

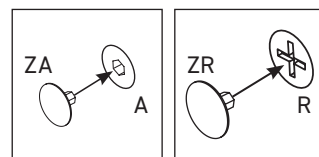
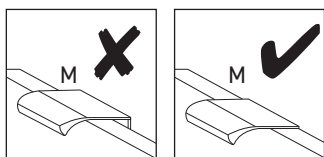
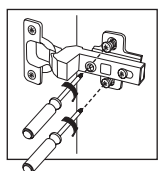
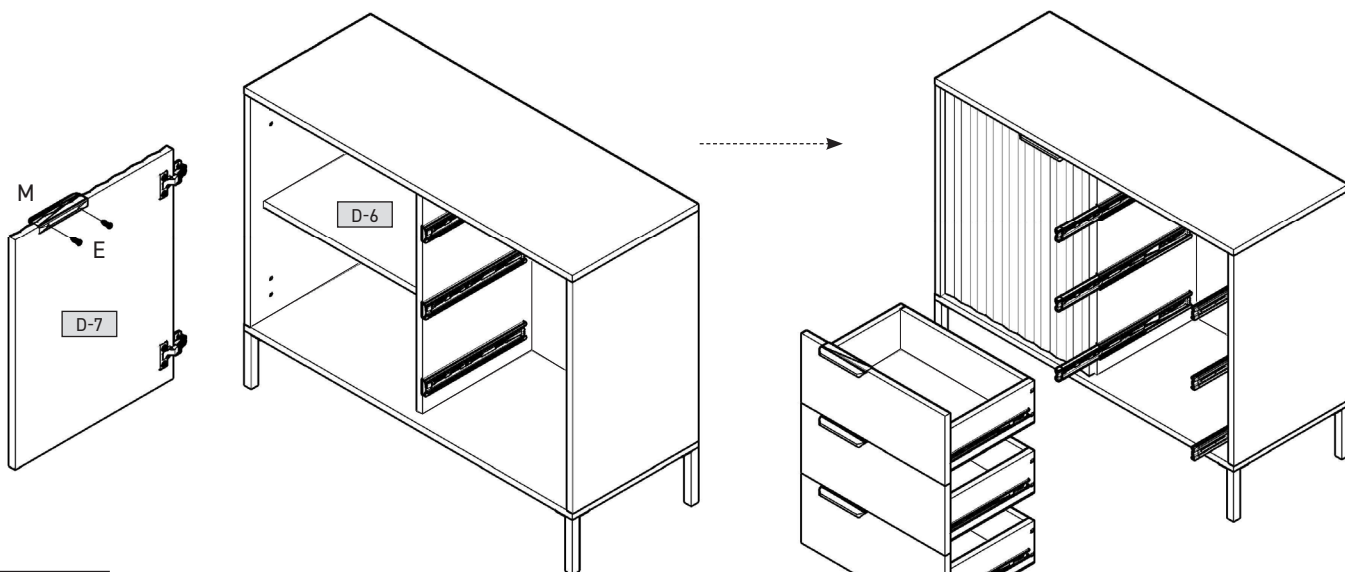
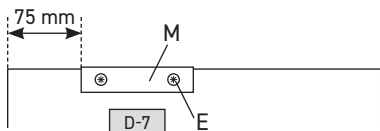




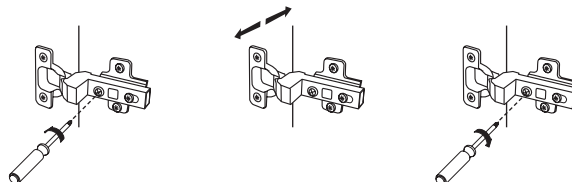
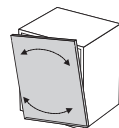
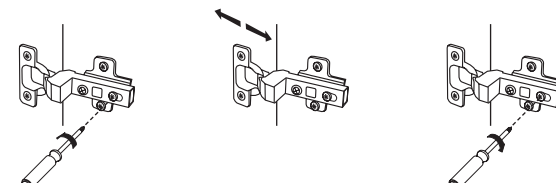
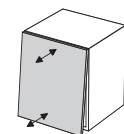
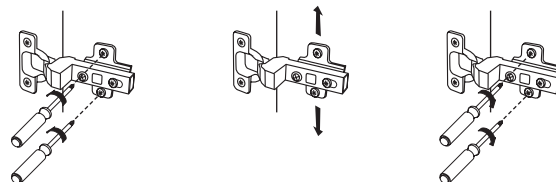
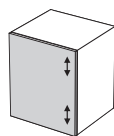
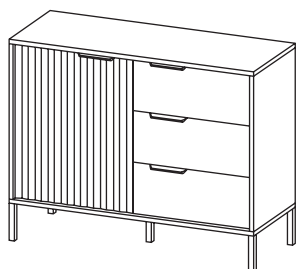
15

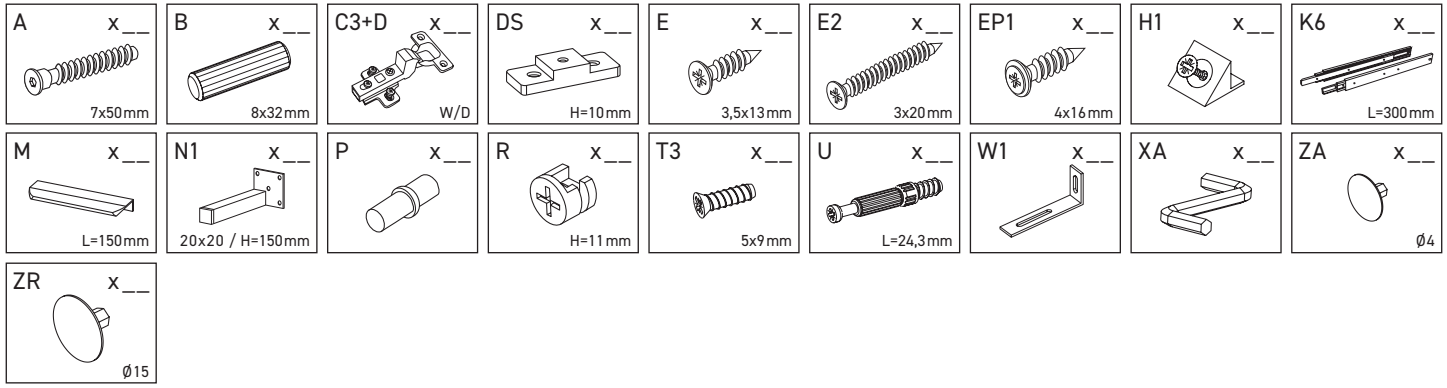


E	x2	M	x1	ZA	x18	ZR	x12
3,5x13mm		L=150mm		Ø4		Ø15	



16





D-1	1033	395	16	x 1	1/1
D-2	1033	395	16	x 1	1/1
D-3	632	394	16	x 1	1/1
D-4	632	394	16	x 1	1/1
D-5	632	347	16	x 1	1/1
D-6	492	335	16	x 1	1/1
D-7	496	626	18	x 1	1/1
D-8	496	206	16	x 3	1/1
D-9	300	120	16	x 3	1/1
D-10	300	120	16	x 3	1/1
D-11	426	120	16	x 3	1/1
D-12	456	306	3	x 3	1/1
D-13	1014	646	3	x 1	1/1

