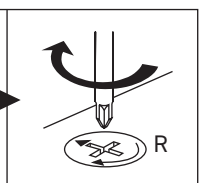
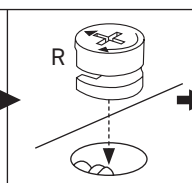
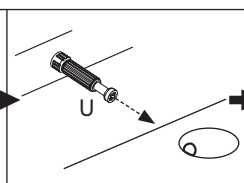
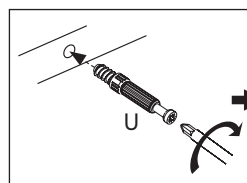
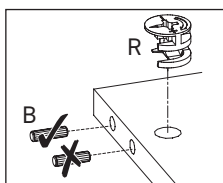
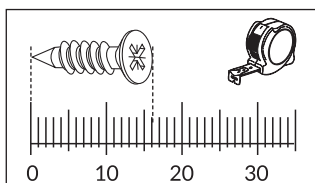
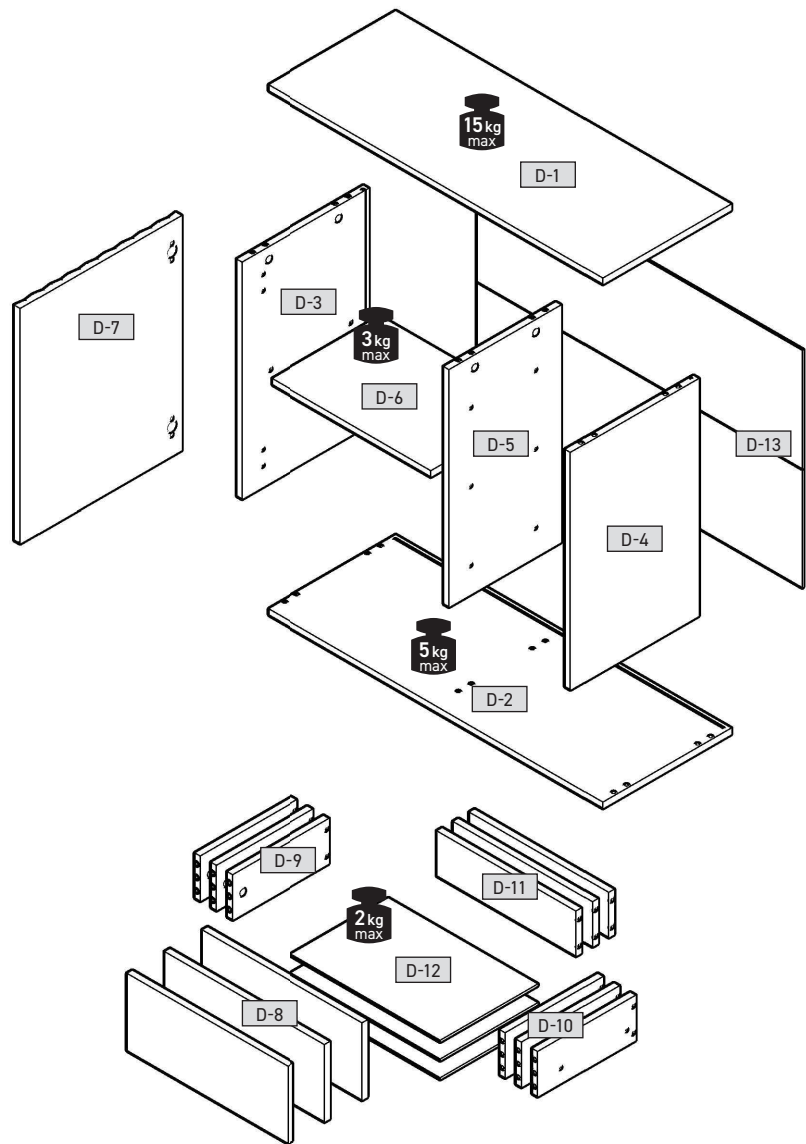


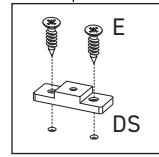
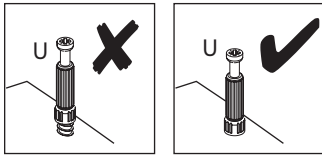
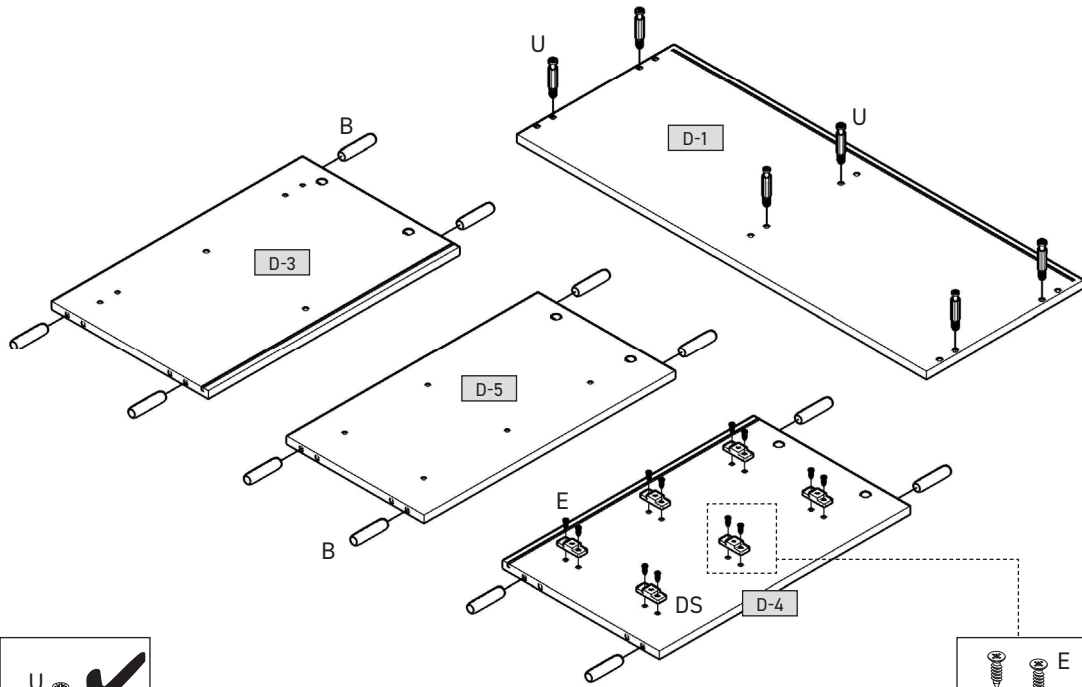
D-1	1033	395	16	x1	1/1
D-2	1033	395	16	x1	1/1
D-3	632	394	16	x1	1/1
D-4	632	394	16	x1	1/1
D-5	632	347	16	x1	1/1
D-6	492	335	16	x1	1/1
D-7	496	626	18	x1	1/1
D-8	496	206	16	x3	1/1
D-9	300	120	16	x3	1/1
D-10	300	120	16	x3	1/1
D-11	426	120	16	x3	1/1
D-12	456	306	3	x3	1/1
D-13	1014	646	3	x1	1/1



1



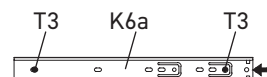
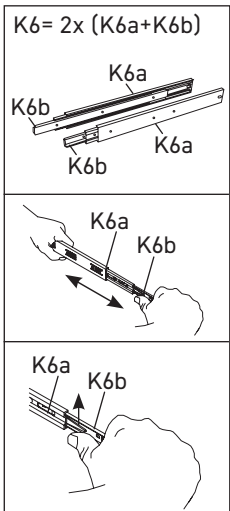
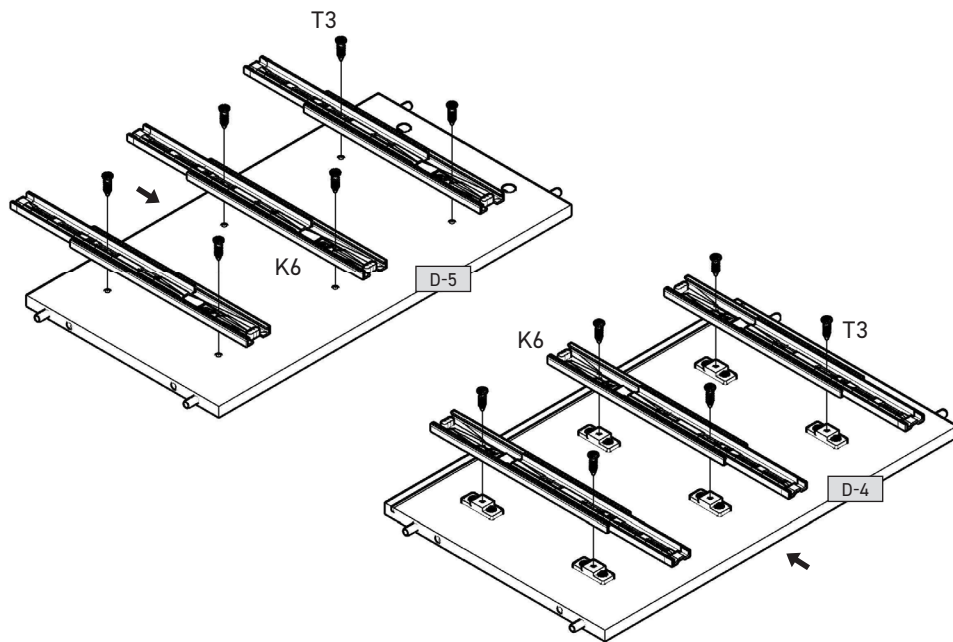
<b>B</b>	x12	<b>DS</b>	x6	<b>E</b>	x12	<b>U</b>	x6
	8x32mm		H=10mm		3,5x13mm		L=24,3mm



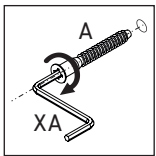
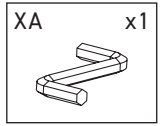
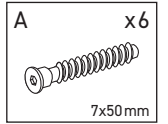
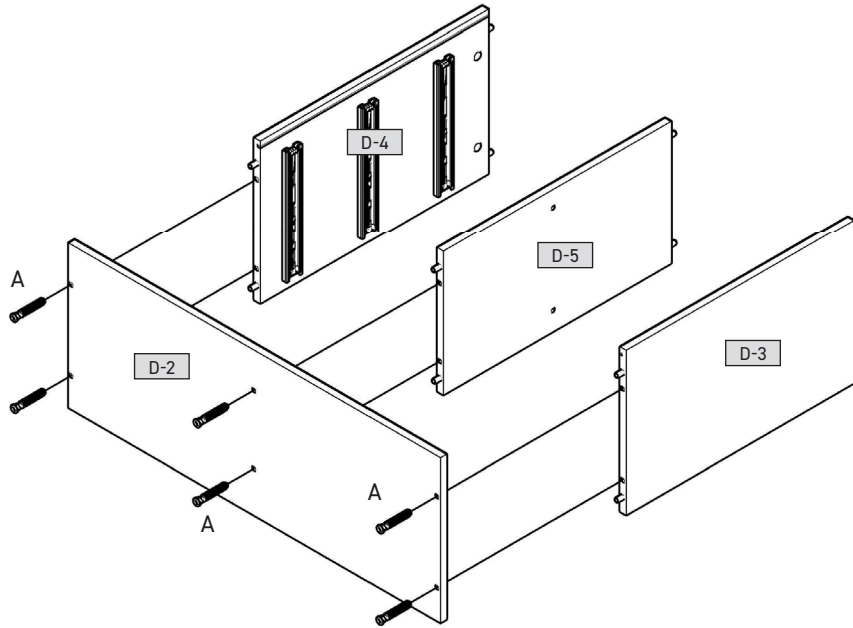
2



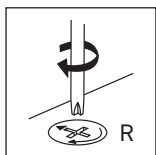
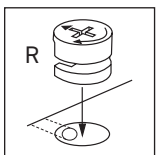
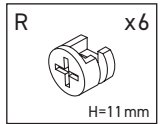
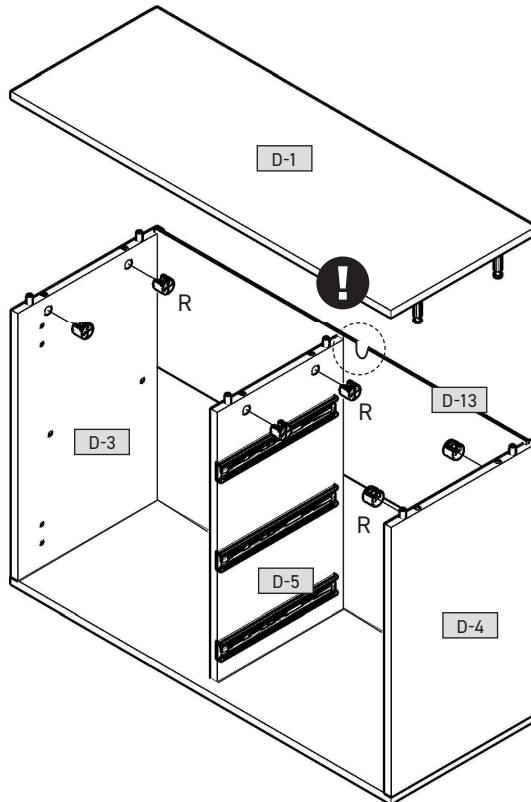
<b>K6</b>	x3	<b>T3</b>	x12
	L=300mm		5x9mm



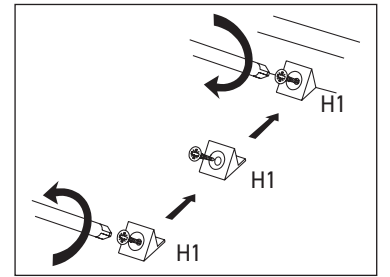
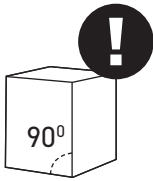
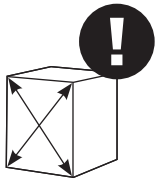
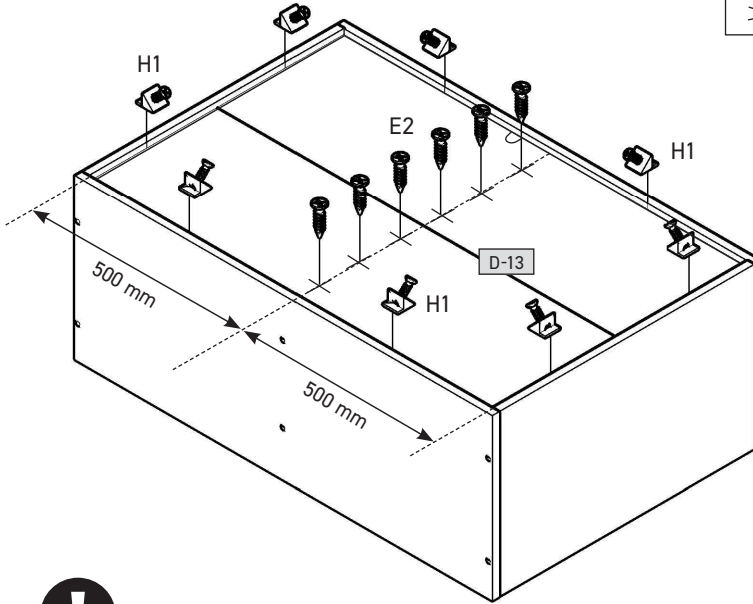
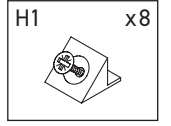
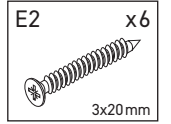
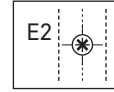
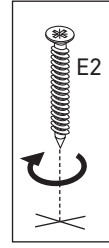
3



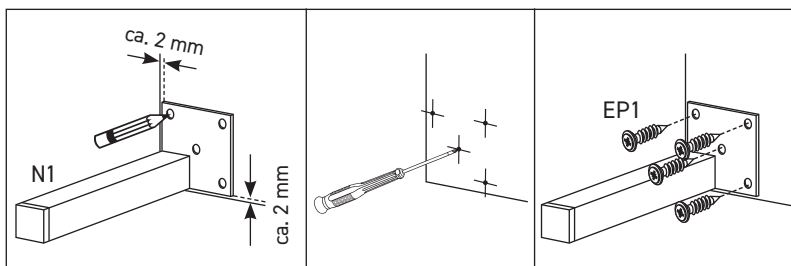
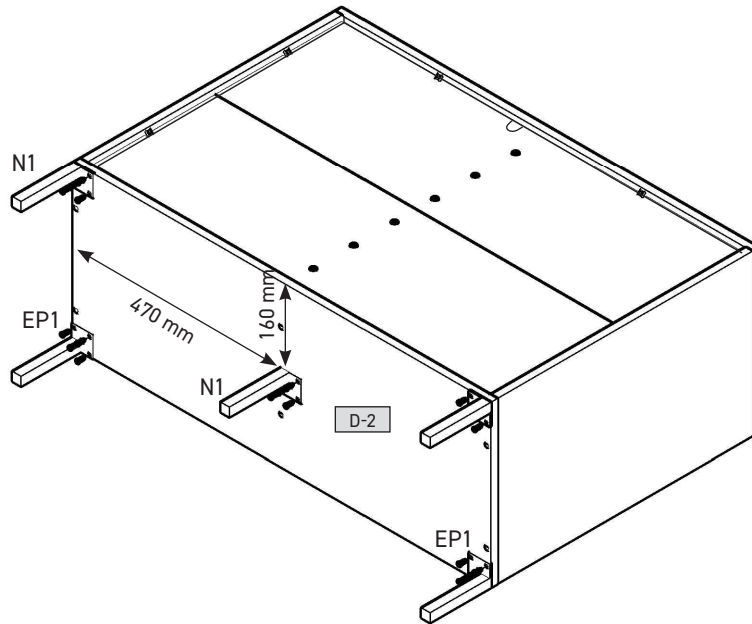
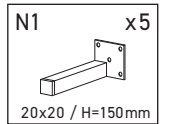
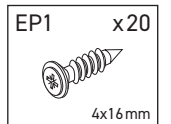
4



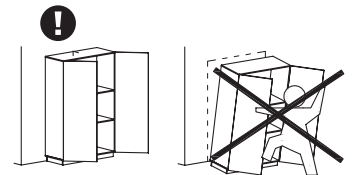
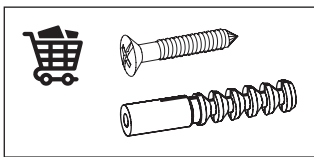
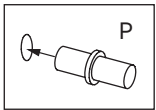
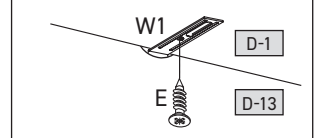
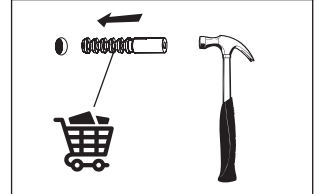
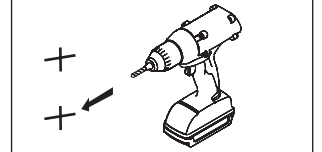
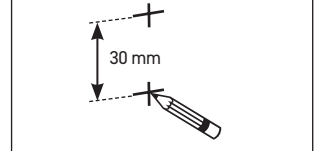
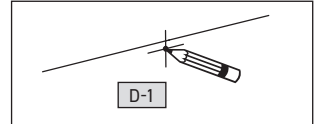
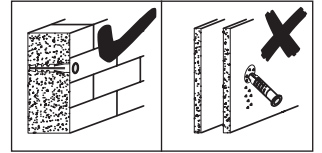
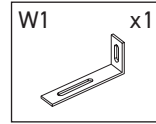
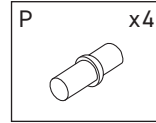
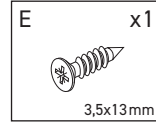
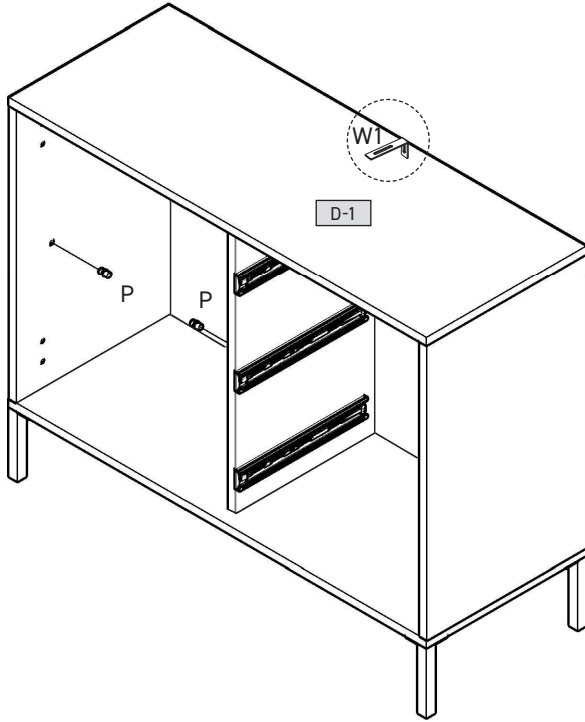
5



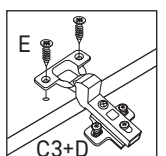
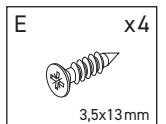
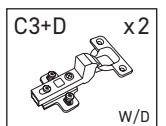
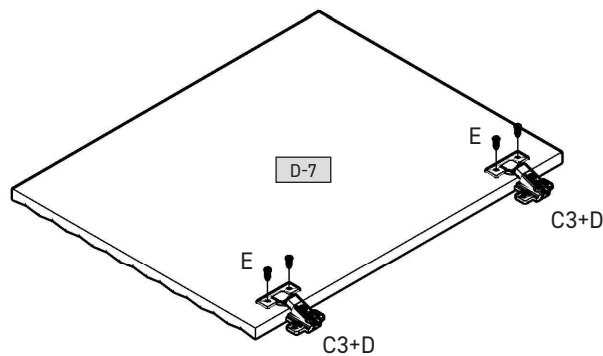
6



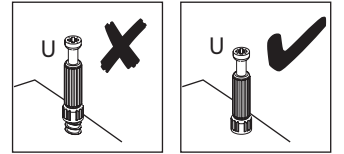
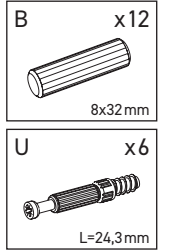
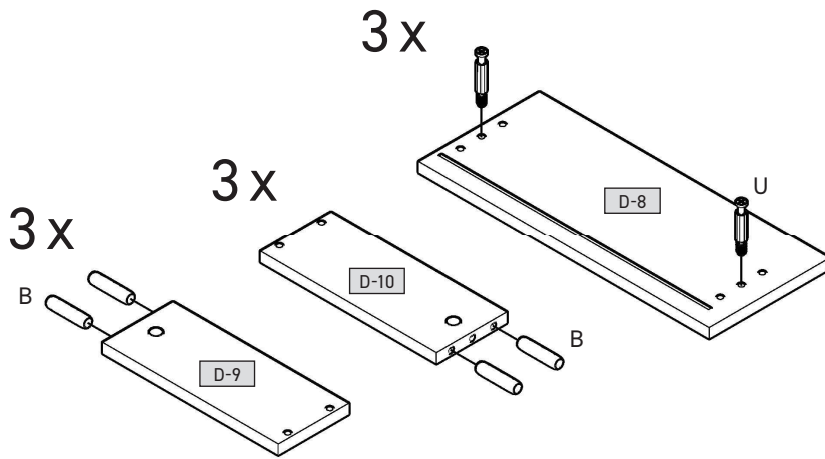
# 7



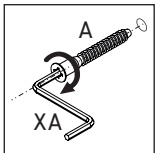
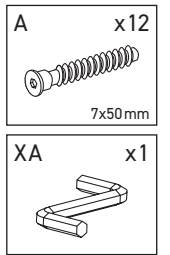
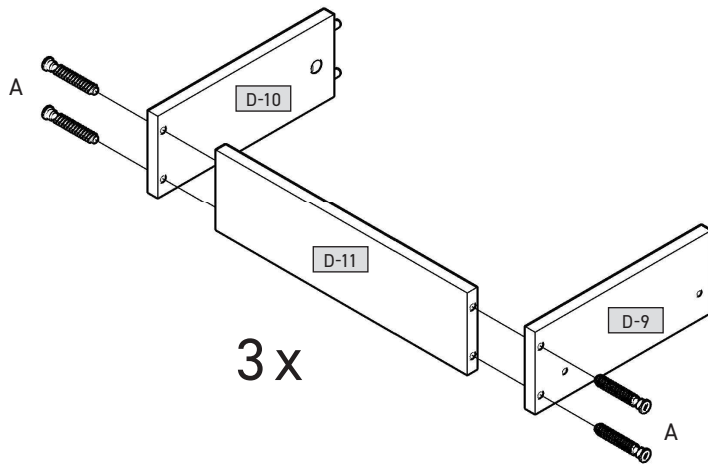
# 8



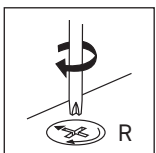
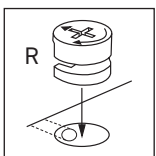
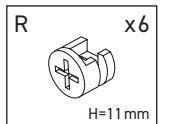
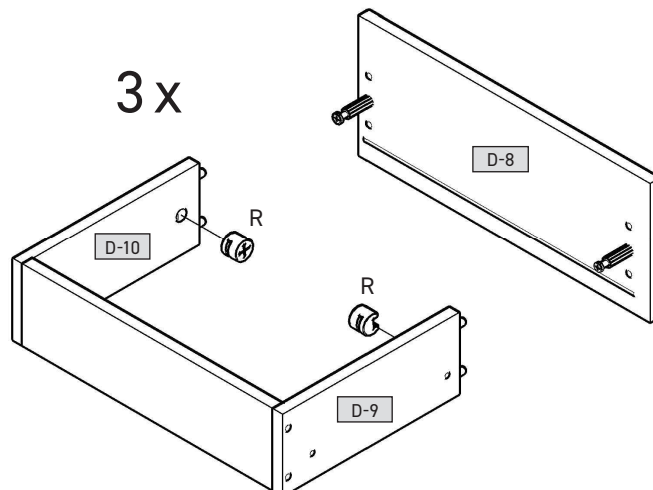
9



10

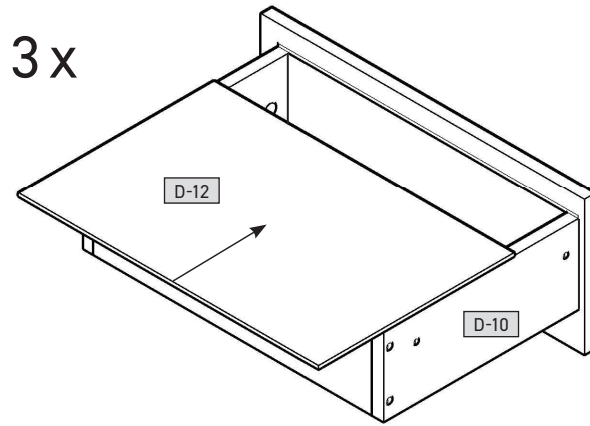


11

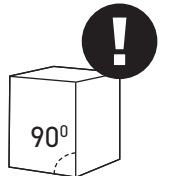
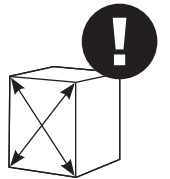
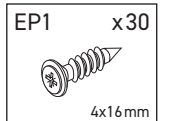
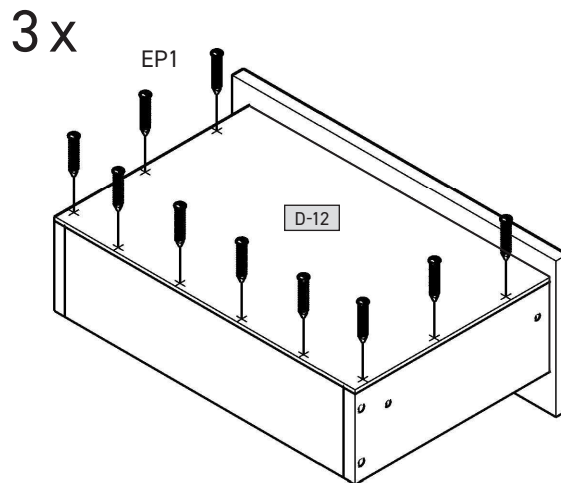
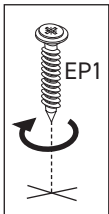




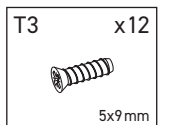
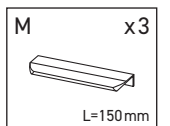
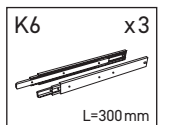
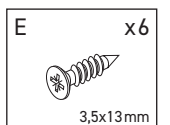
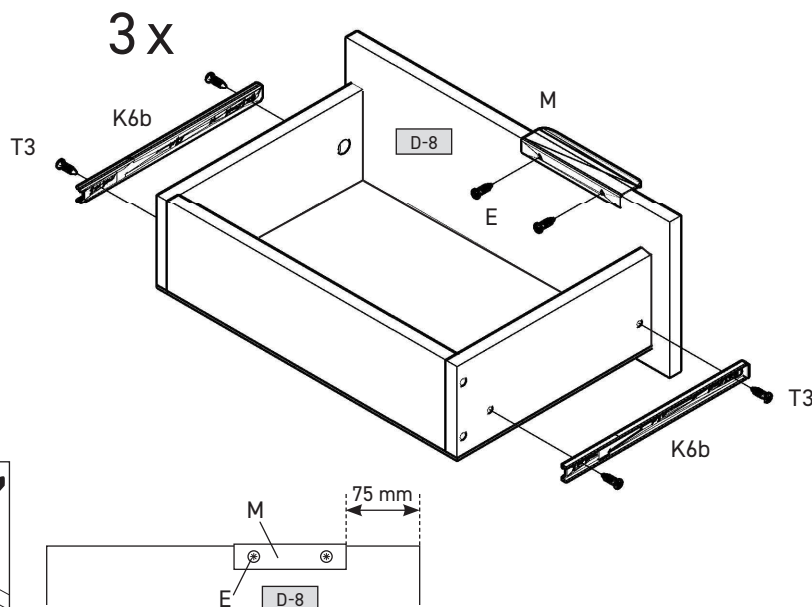
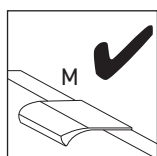
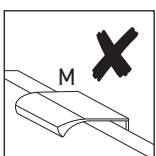
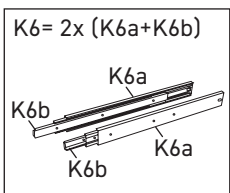
12



13



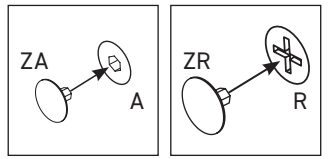
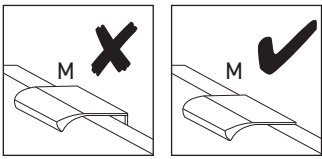
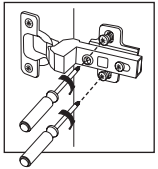
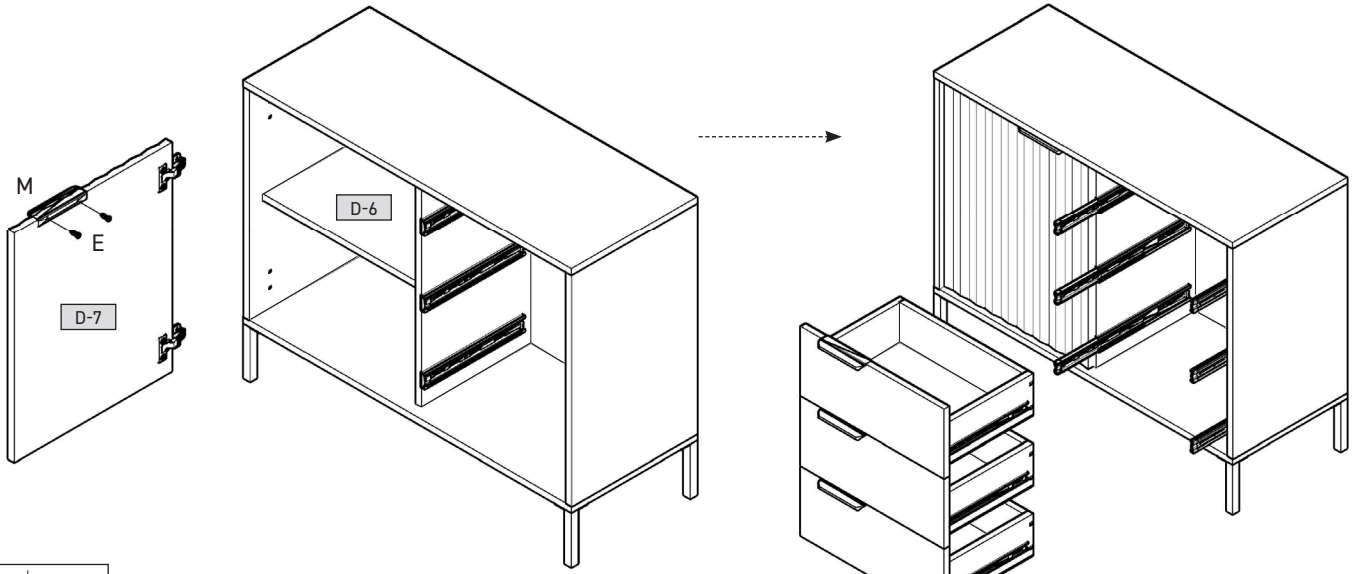
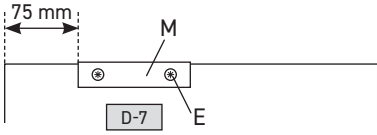
14



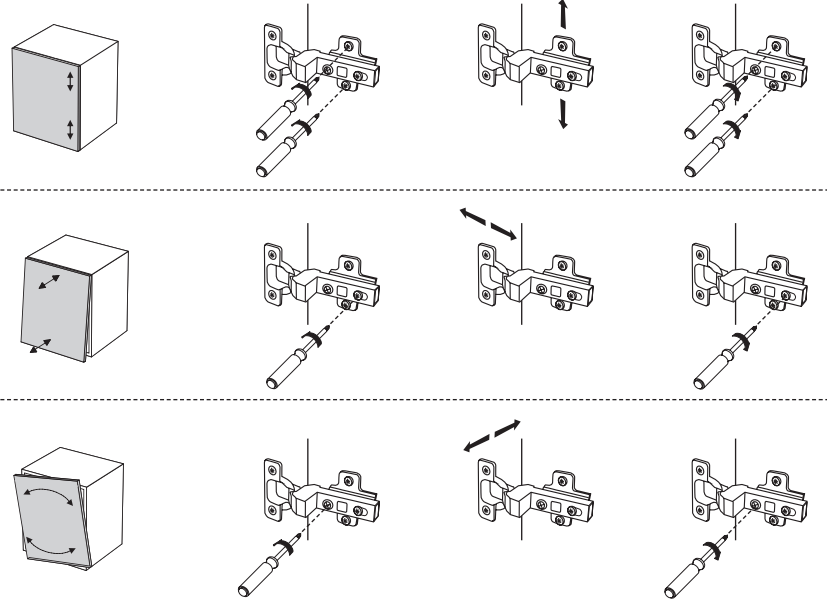
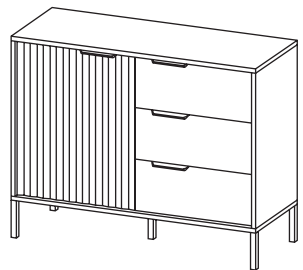
15

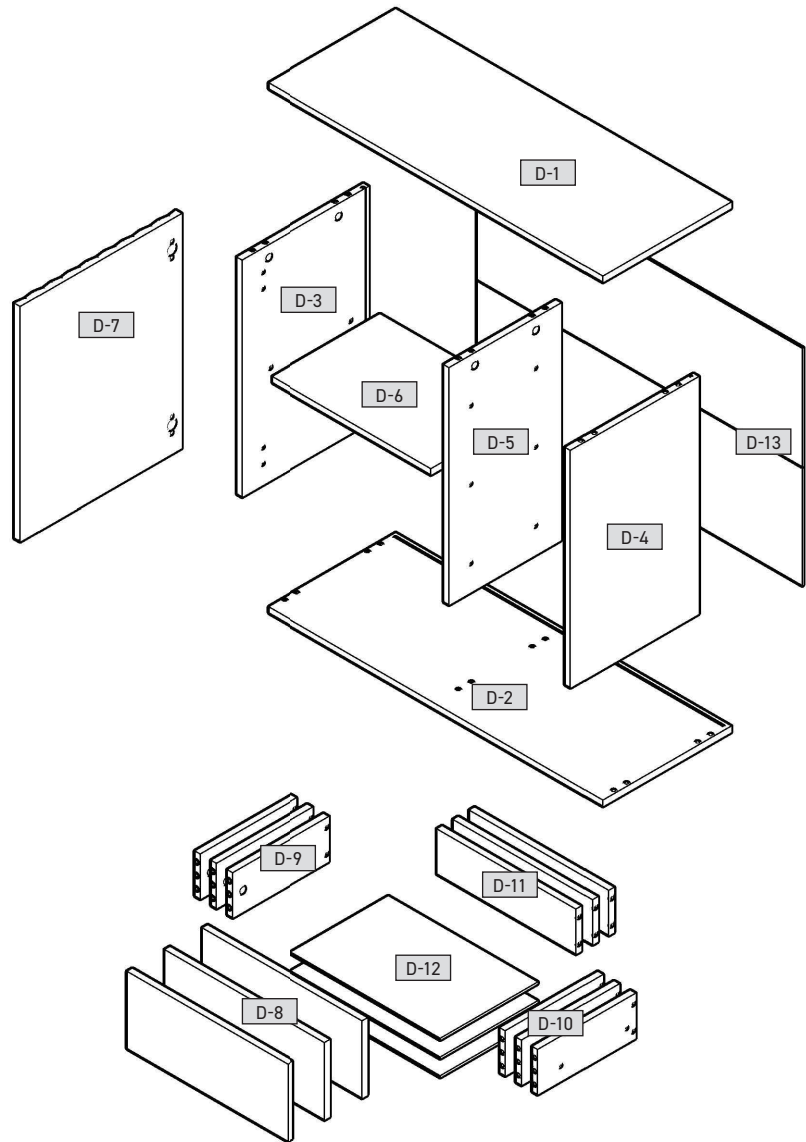
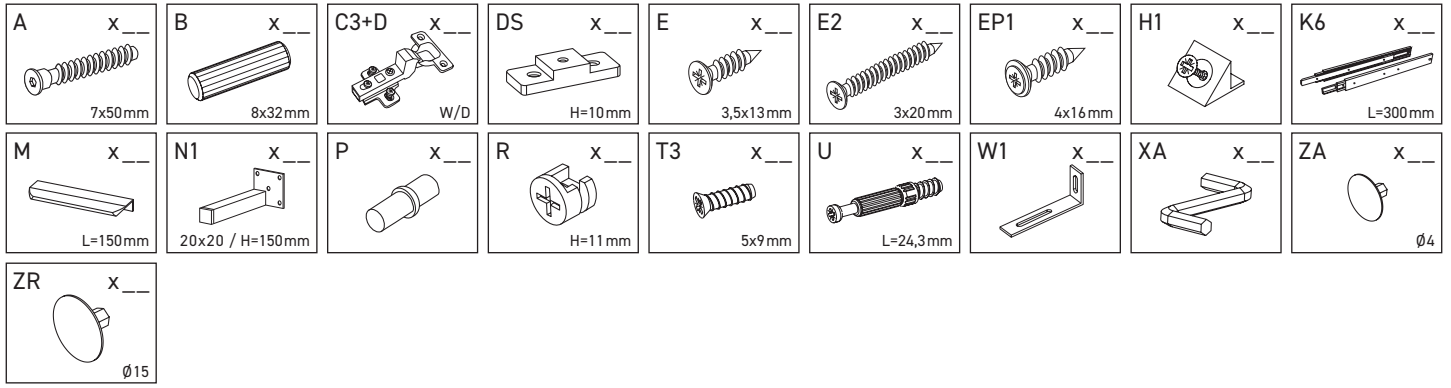


E	x2	M	x1	ZA	x18	ZR	x12
3,5x13mm		L=150mm		Ø4		Ø15	



16





D-1	1033	395	16	x 1	1/1
D-2	1033	395	16	x 1	1/1
D-3	632	394	16	x 1	1/1
D-4	632	394	16	x 1	1/1
D-5	632	347	16	x 1	1/1
D-6	492	335	16	x 1	1/1
D-7	496	626	18	x 1	1/1
D-8	496	206	16	x 3	1/1
D-9	300	120	16	x 3	1/1
D-10	300	120	16	x 3	1/1
D-11	426	120	16	x 3	1/1
D-12	456	306	3	x 3	1/1
D-13	1014	646	3	x 1	1/1

