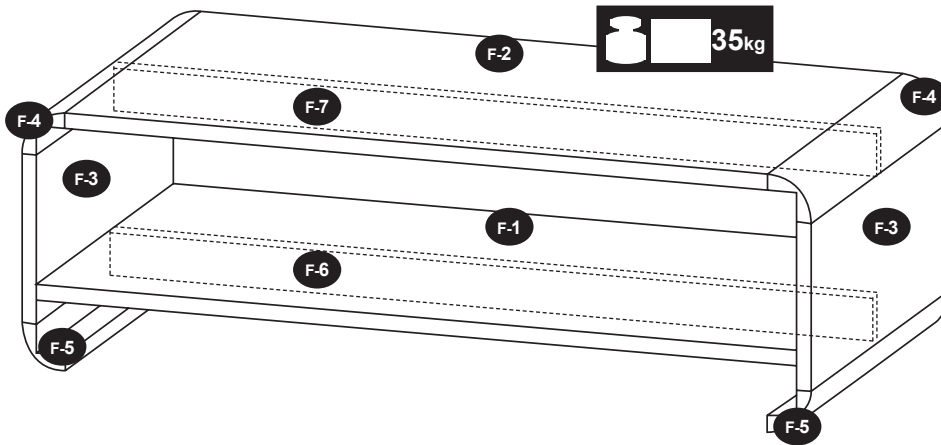
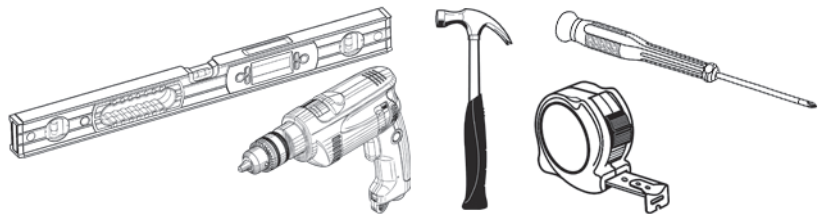
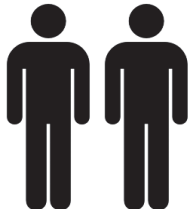
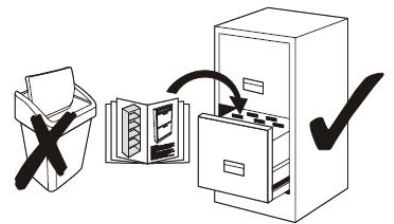
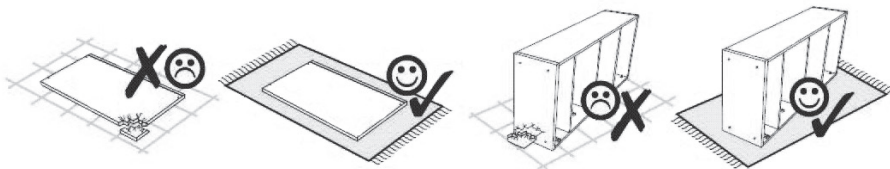
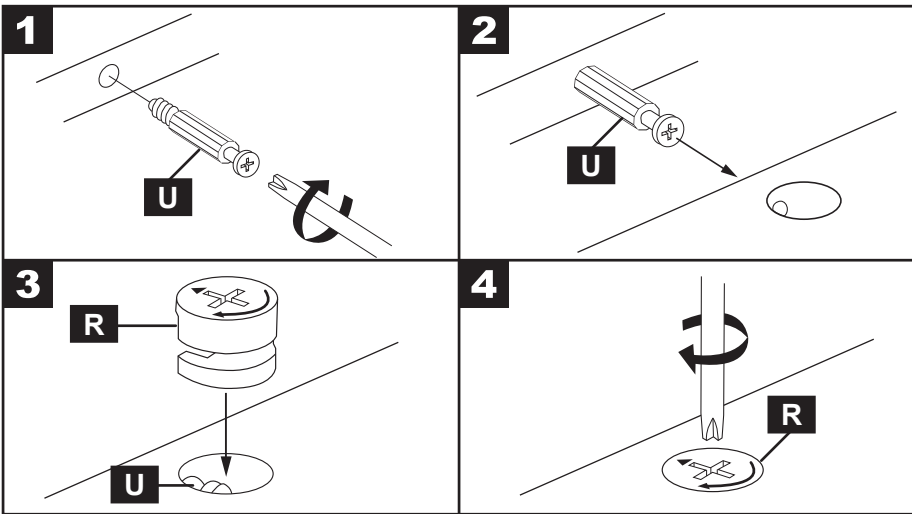
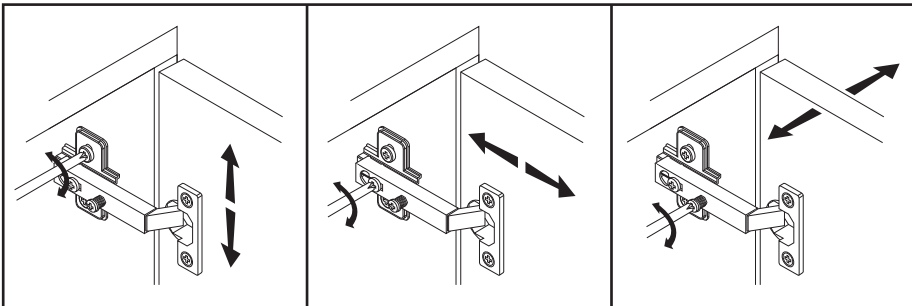
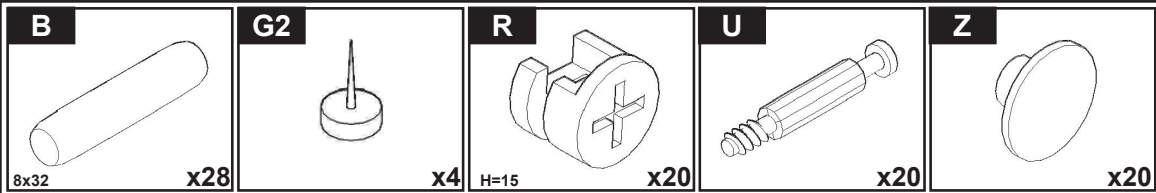


F

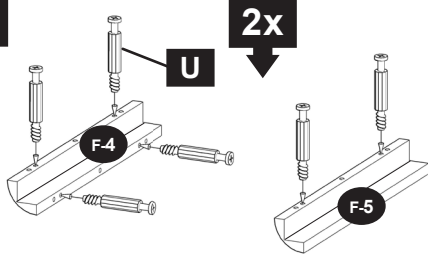


20

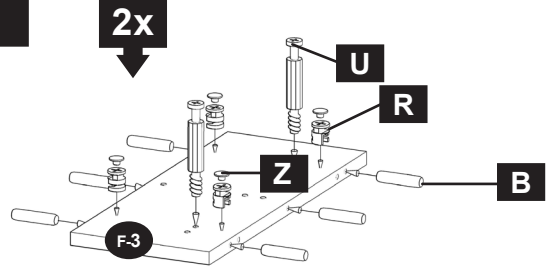




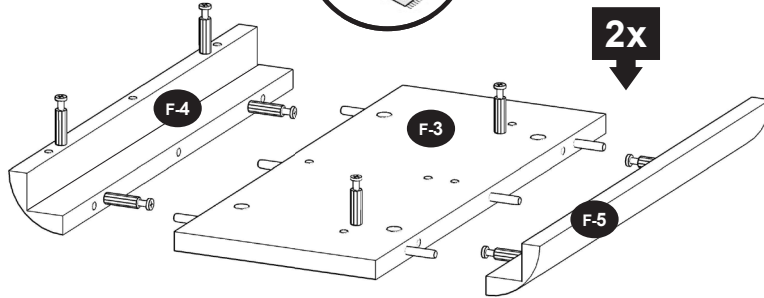
F 1/6



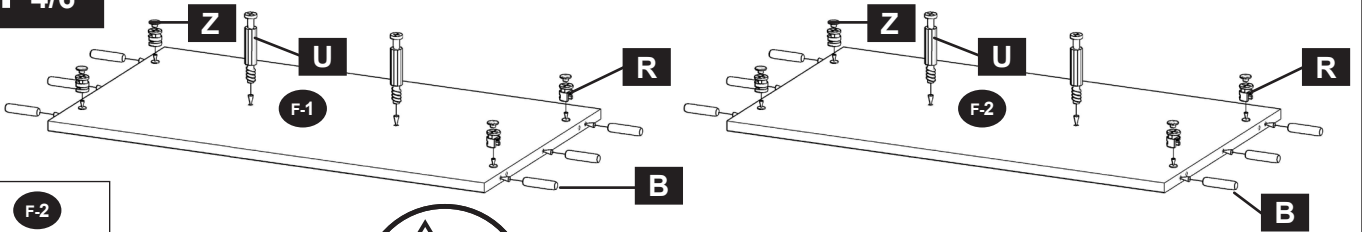
F 2/6



F 3/6



F 4/6

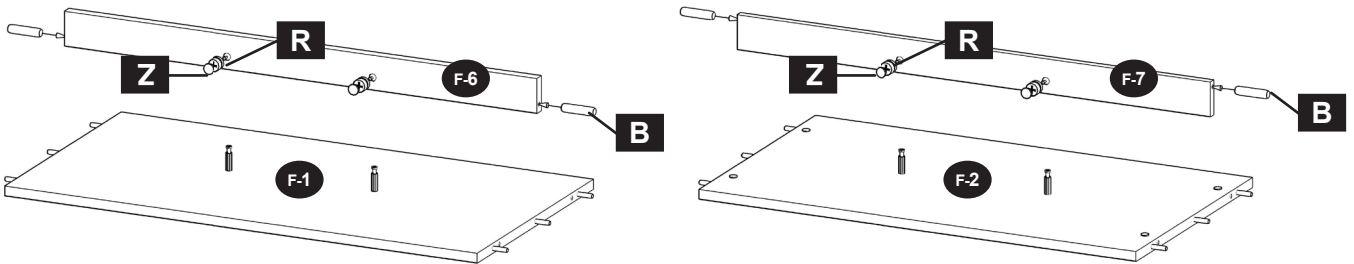


F-2

F-1



F 5/6



F 6/6

