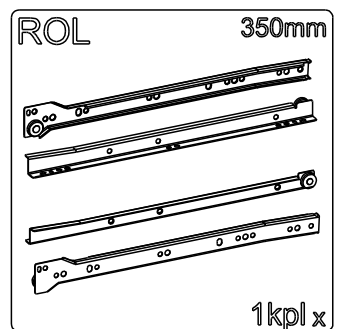
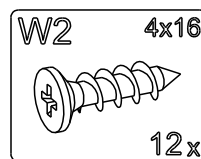
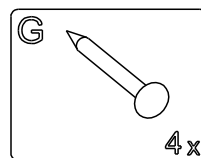
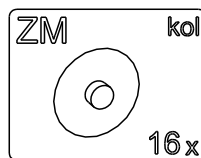
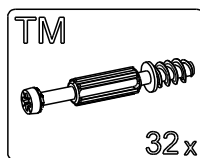
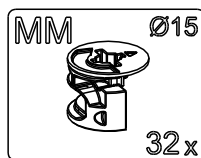
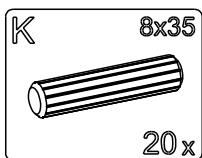
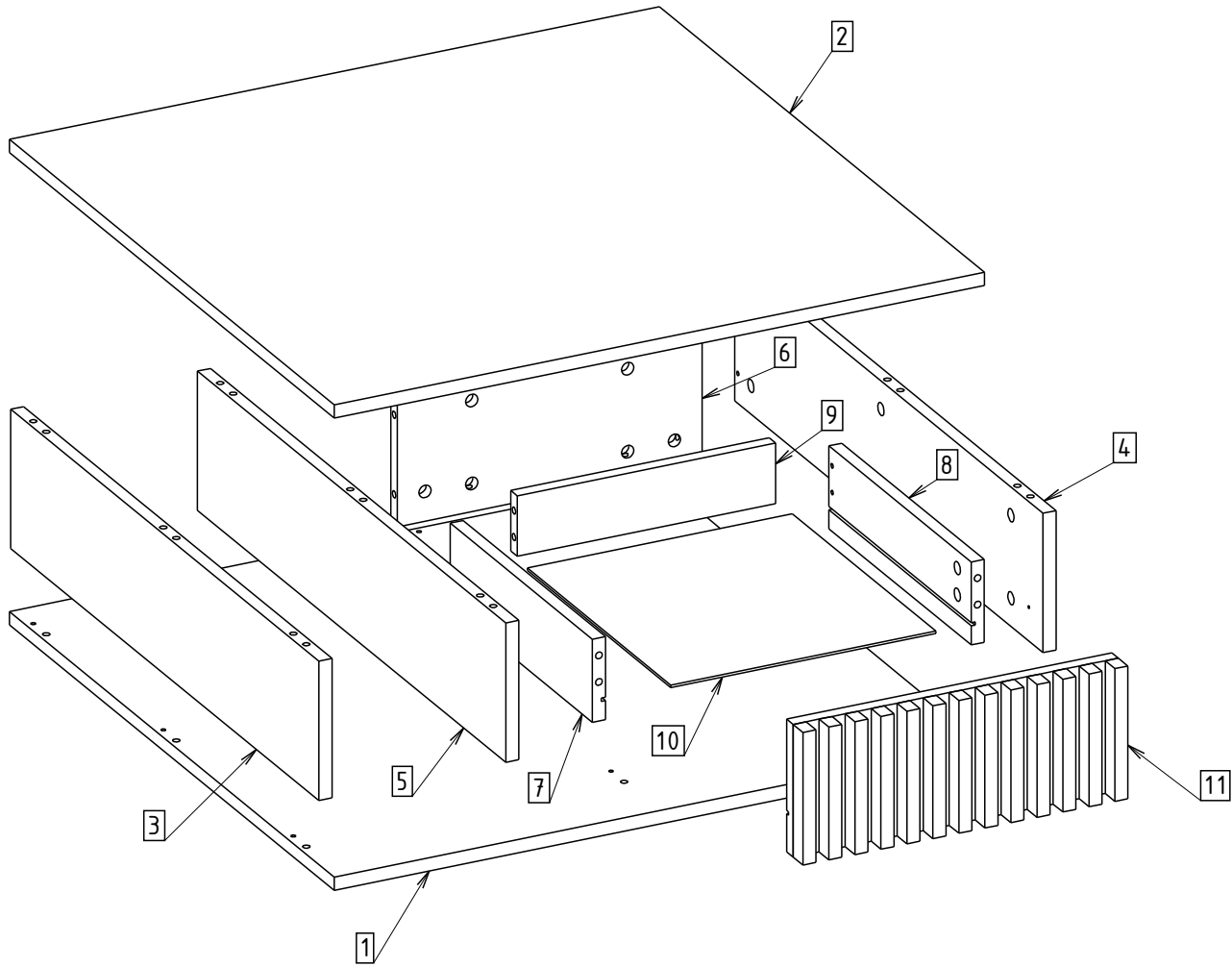
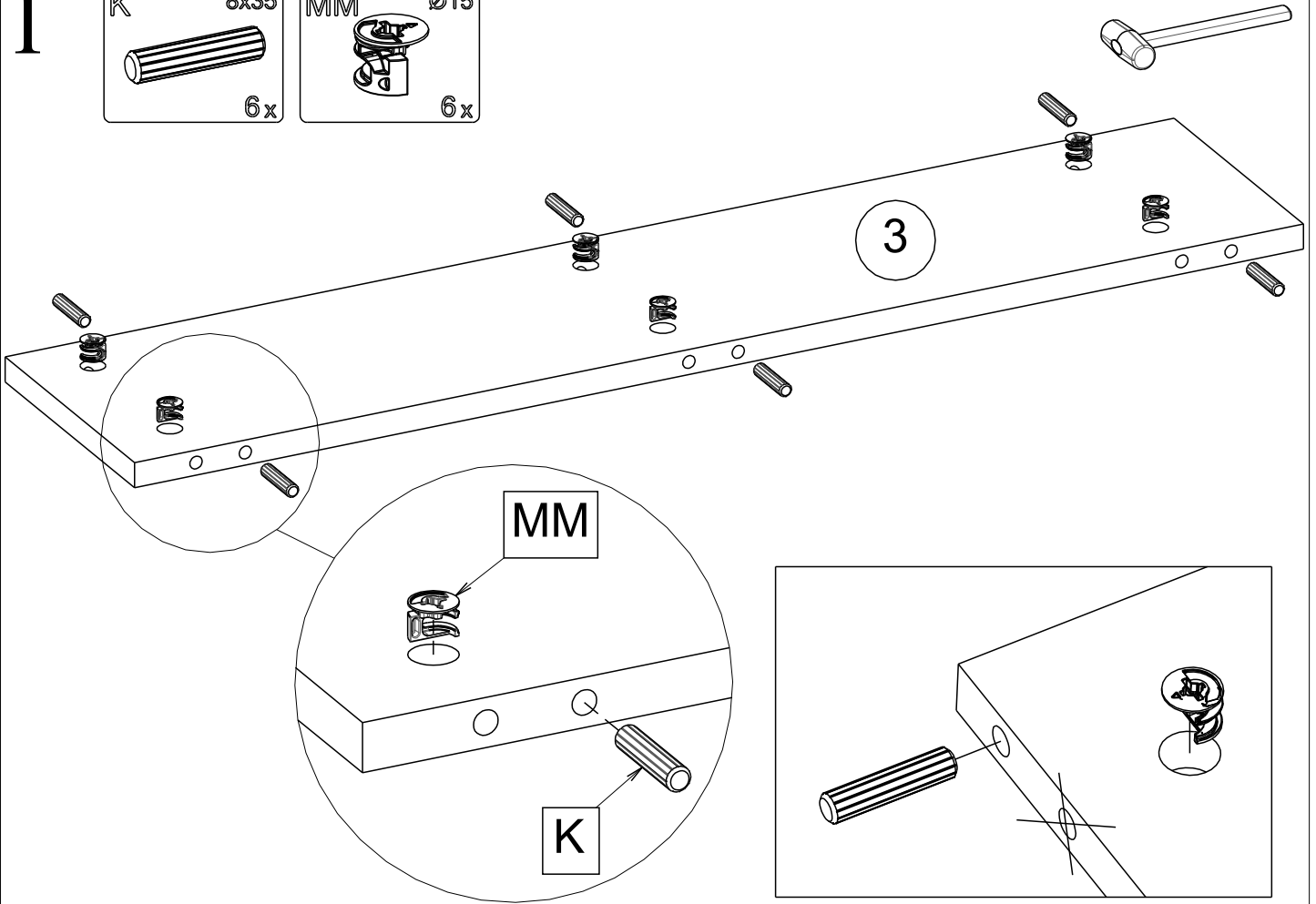
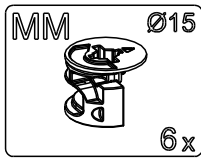
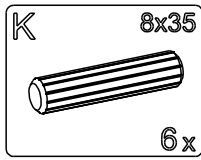


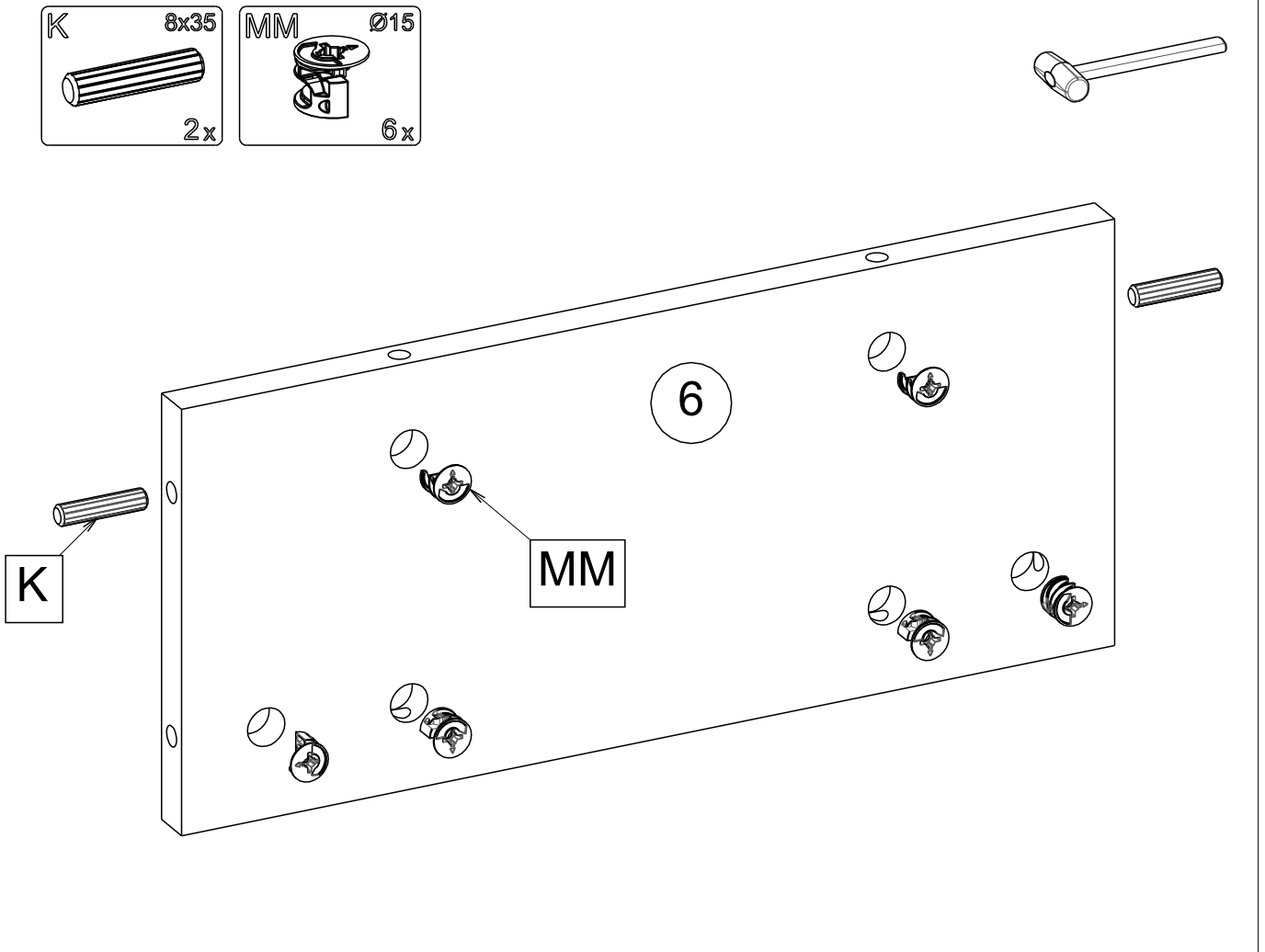
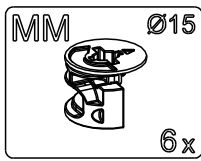
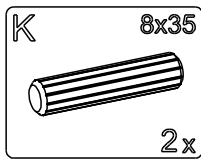
Indeks	il.	Szer. [mm]	Dł. [mm]
1	1	800.0	800.0
2	1	800.0	800.0
3	1	168.0	759.0
4	1	168.0	759.0
5	1	168.0	759.0
6	1	168.0	375.0
7	1	100.0	350.0
8	1	100.0	350.0
9	1	73.0	318.0
10	1	353.0	326.0
11	1	160.0	400.0



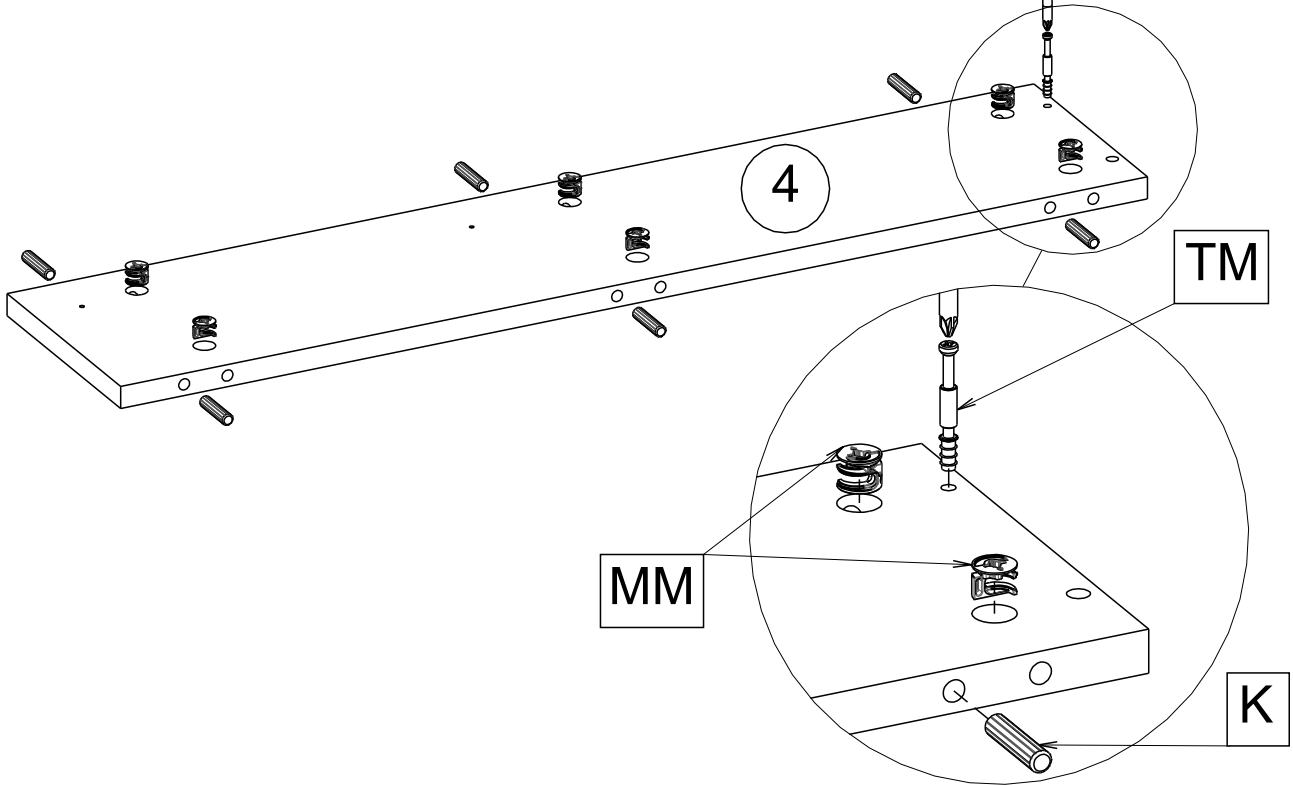
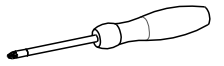
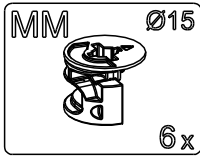
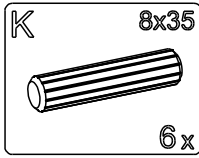
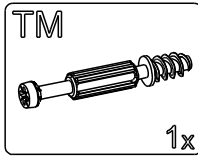
1



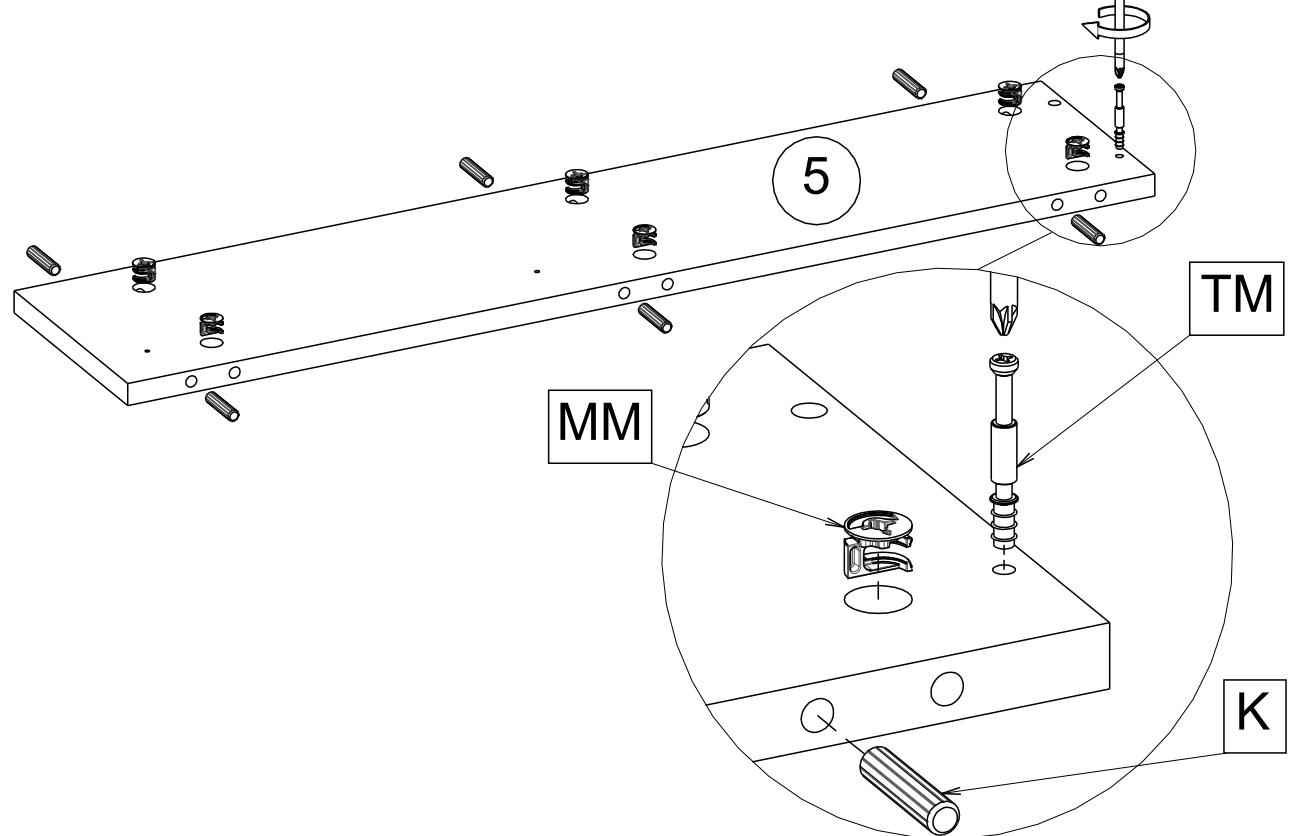
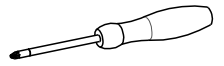
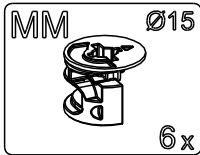
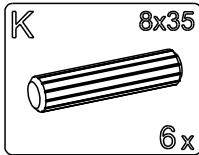
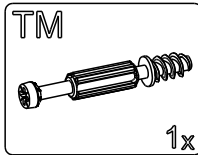
2



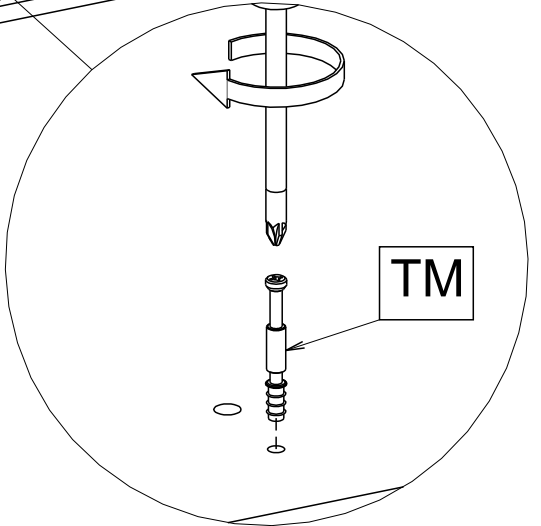
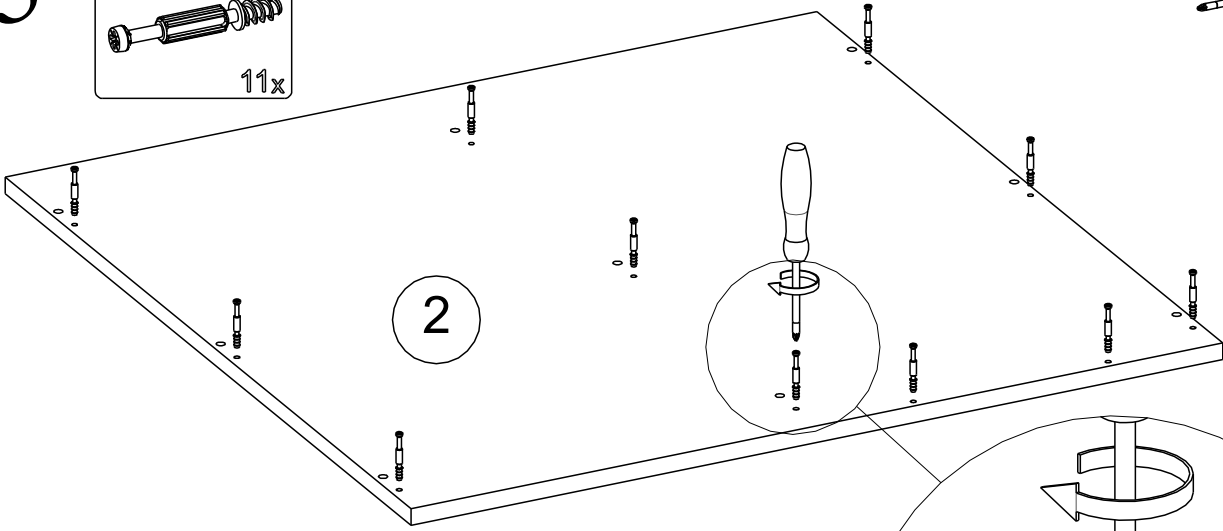
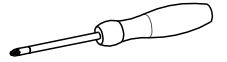
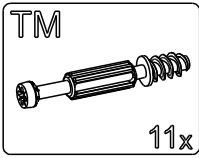
3



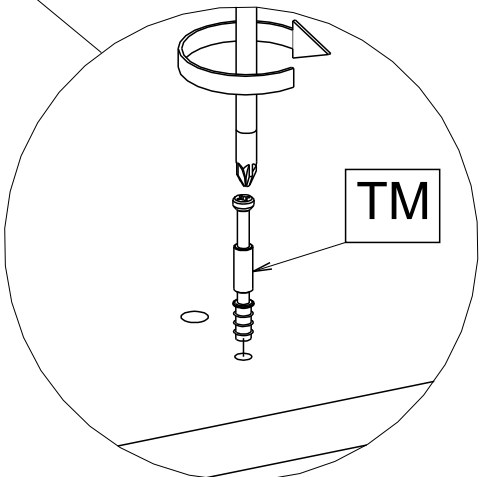
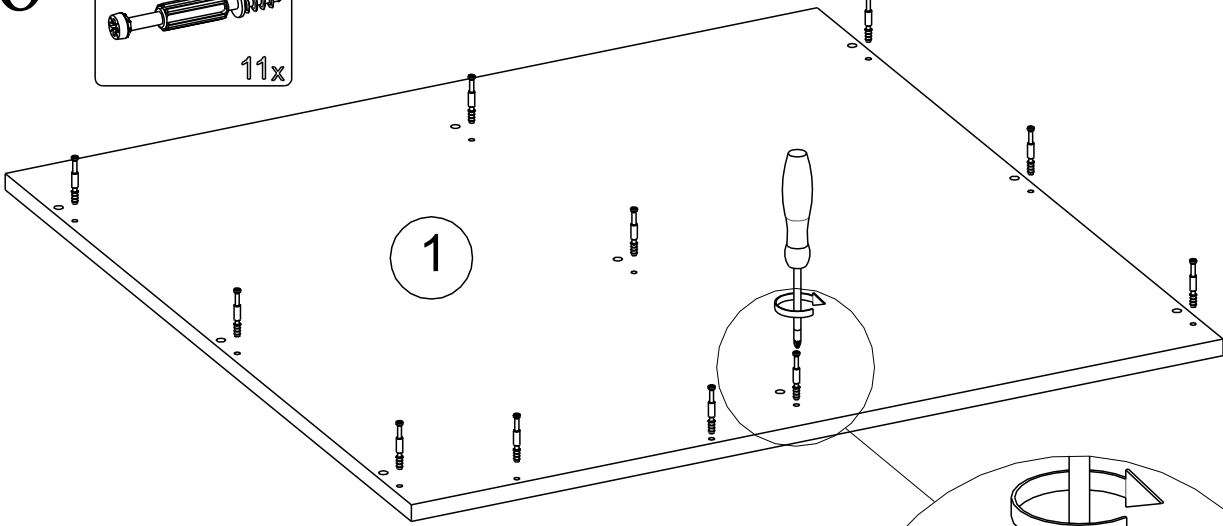
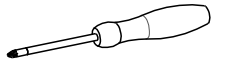
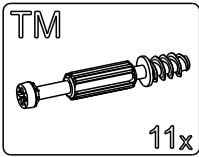
4



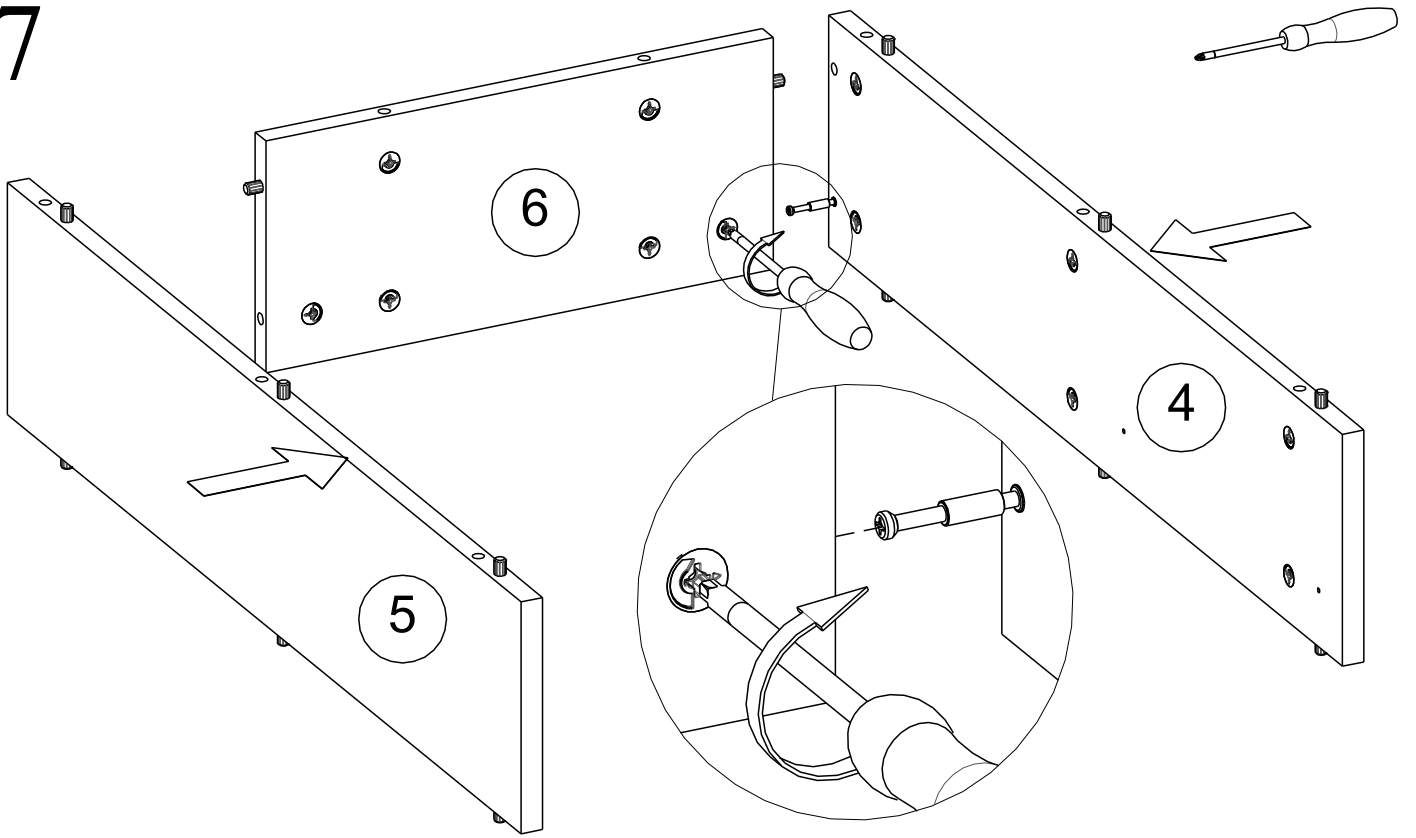
5



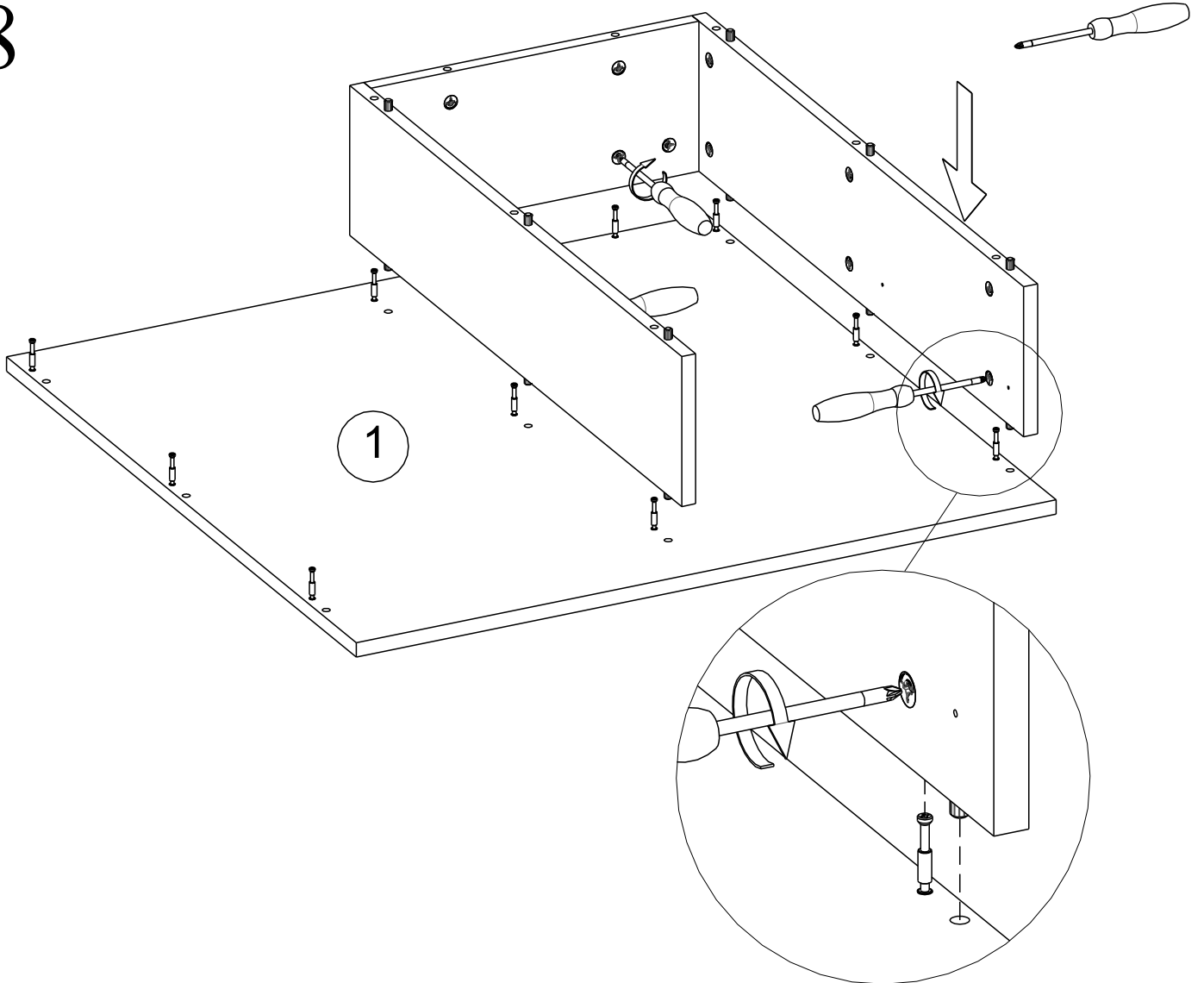
6



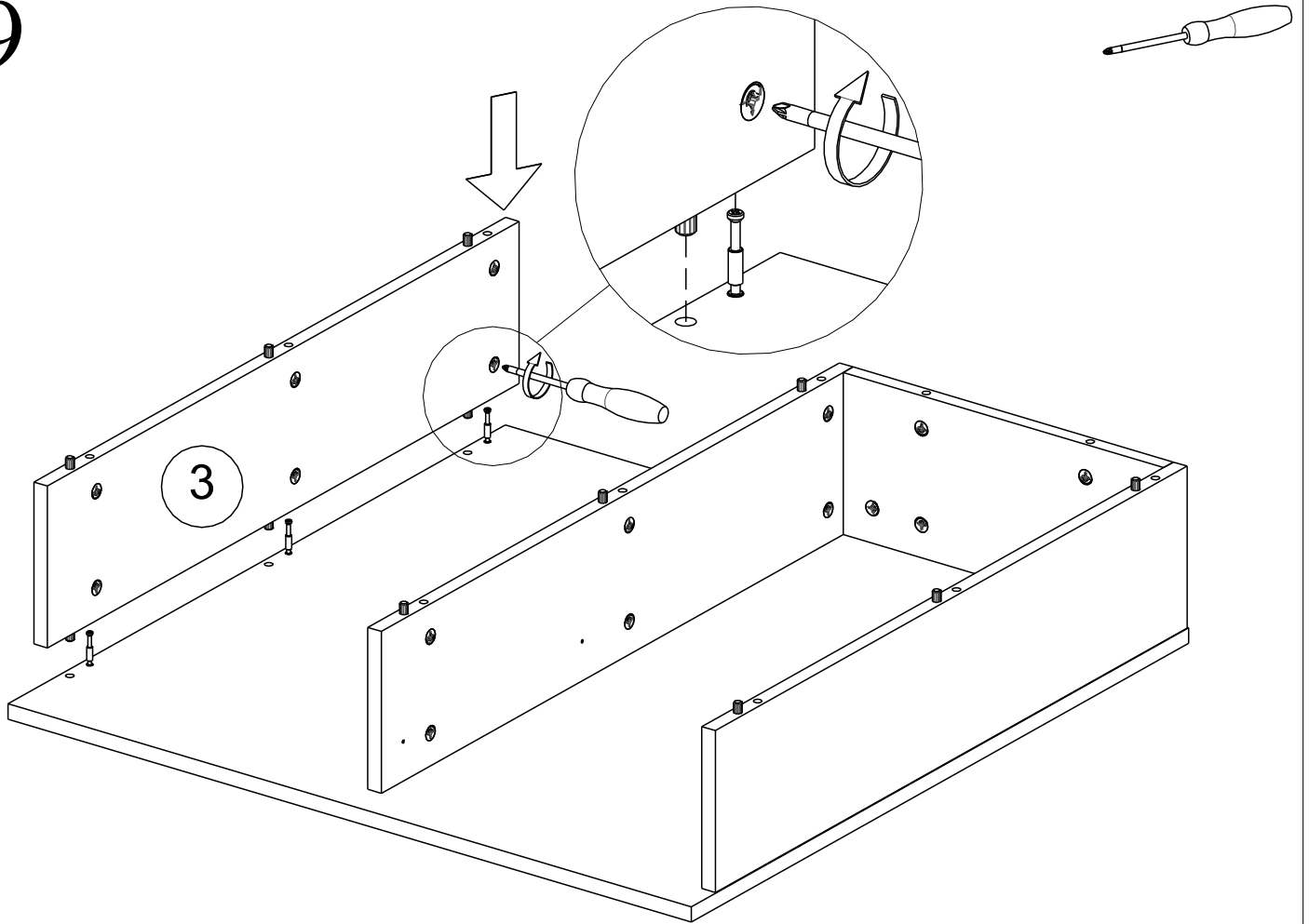
7



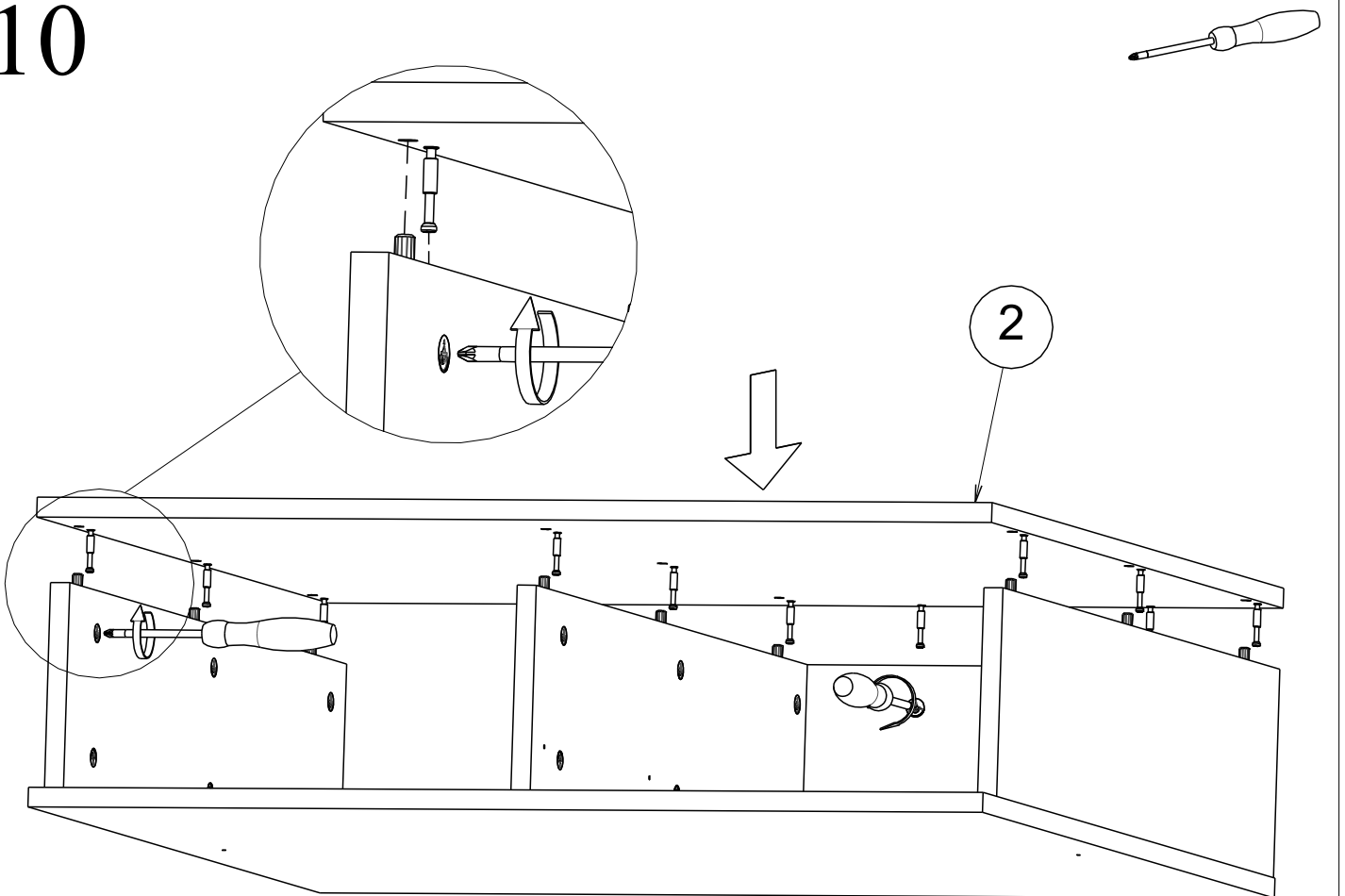
8



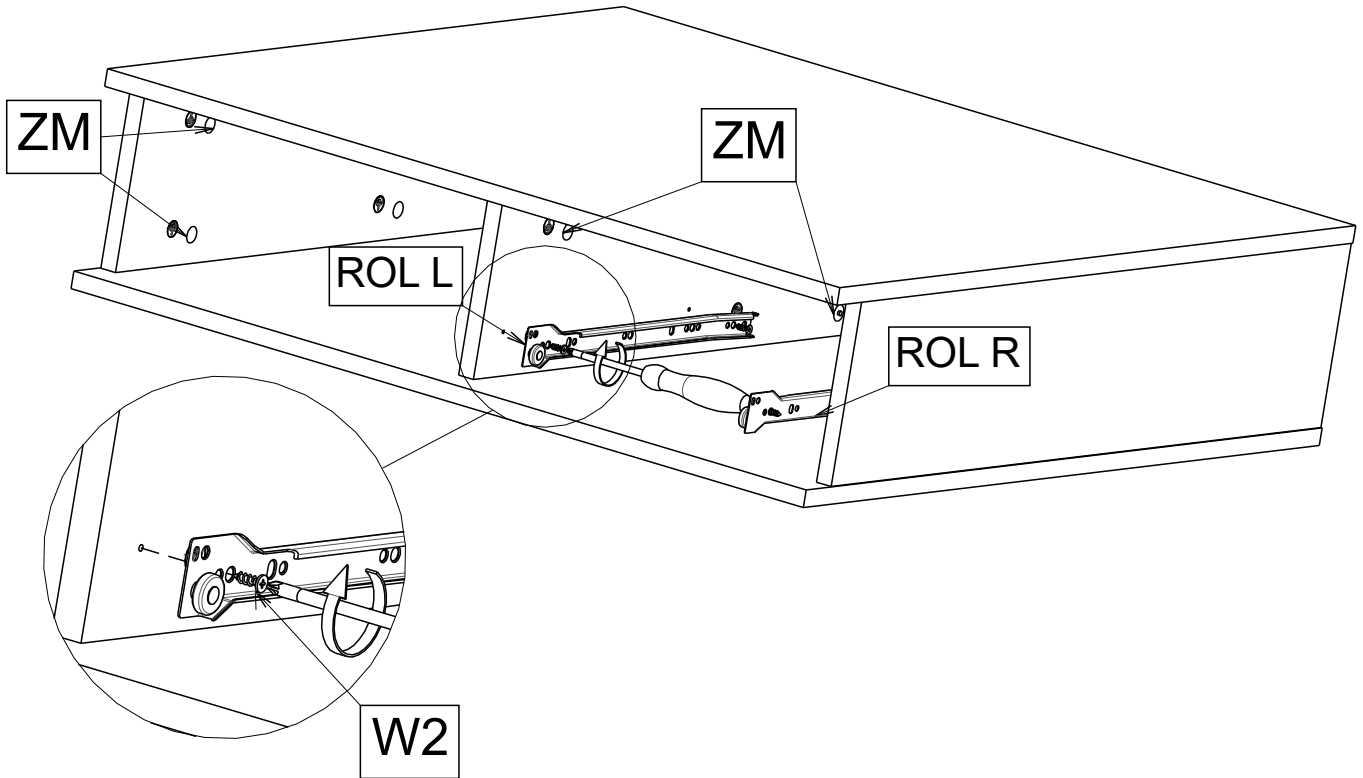
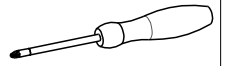
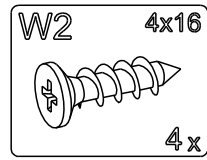
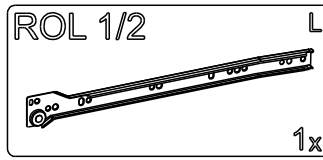
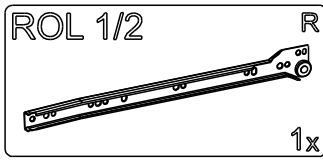
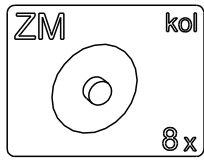
9



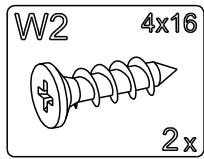
10



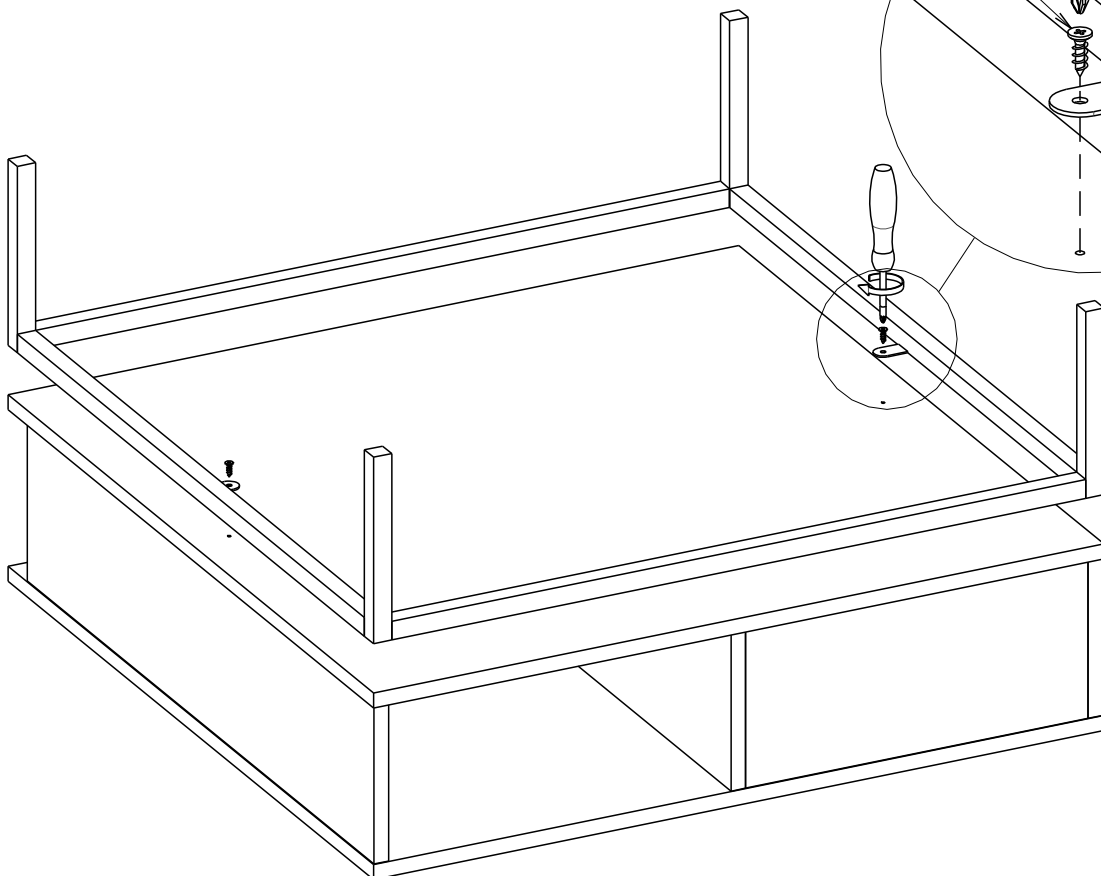
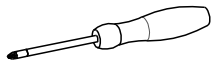
11



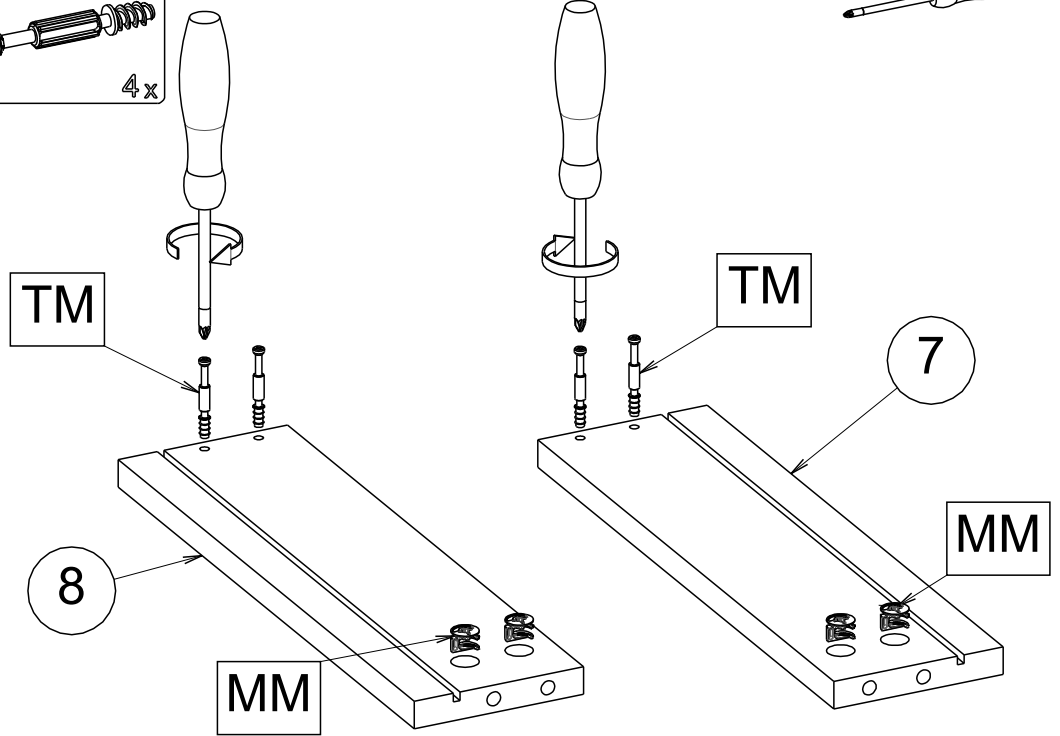
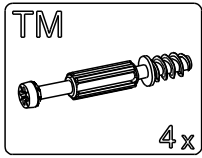
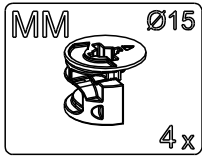
12



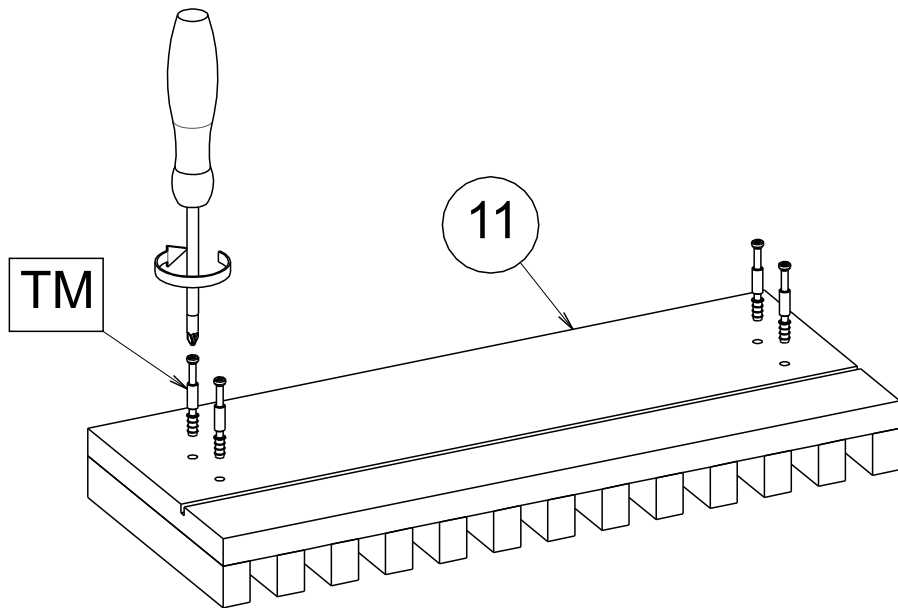
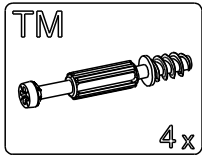
W2



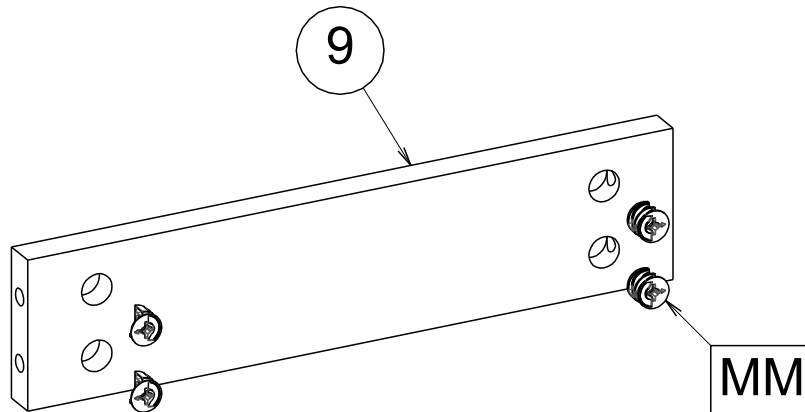
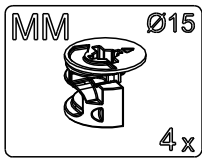
13



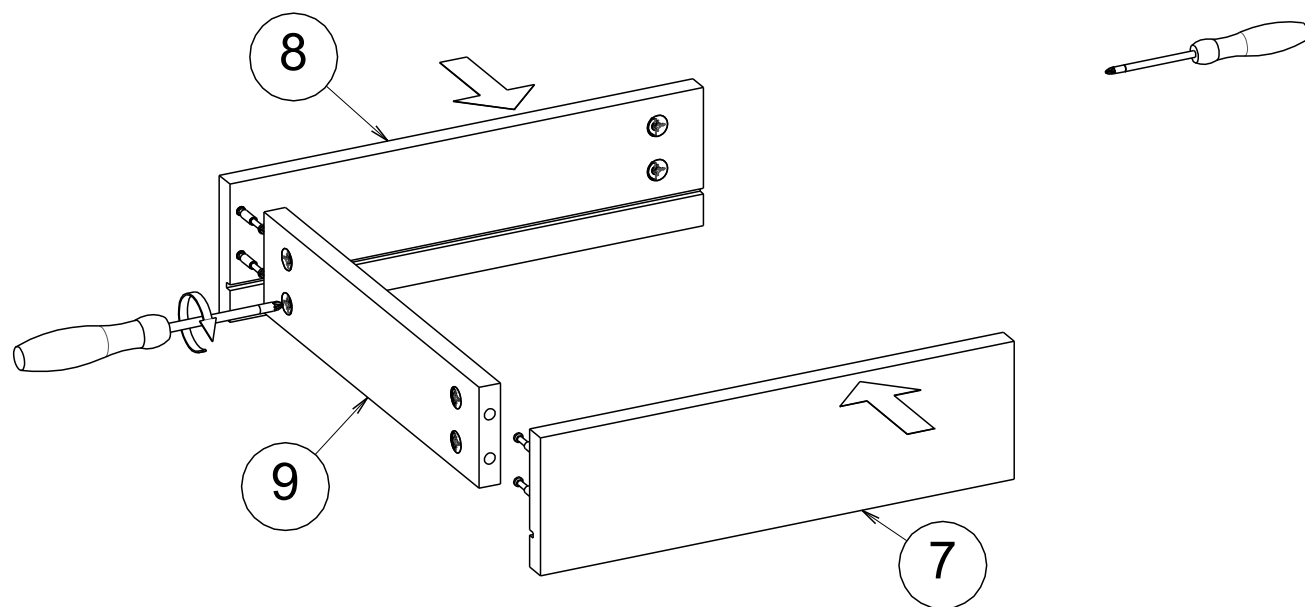
14



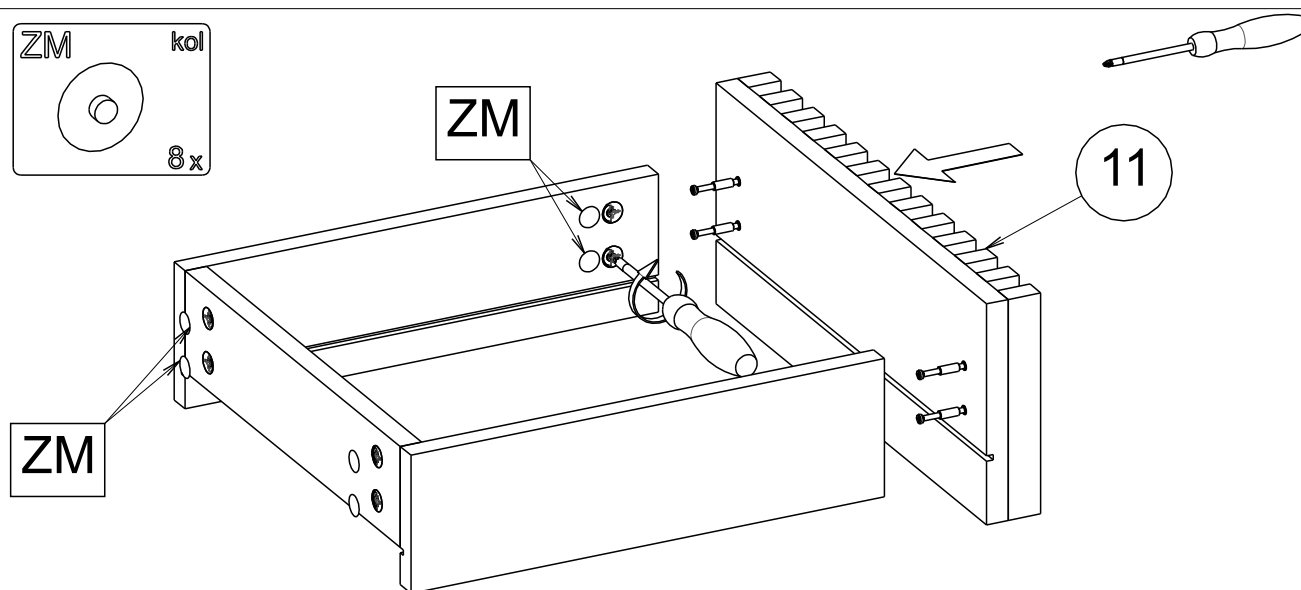
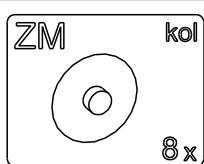
15



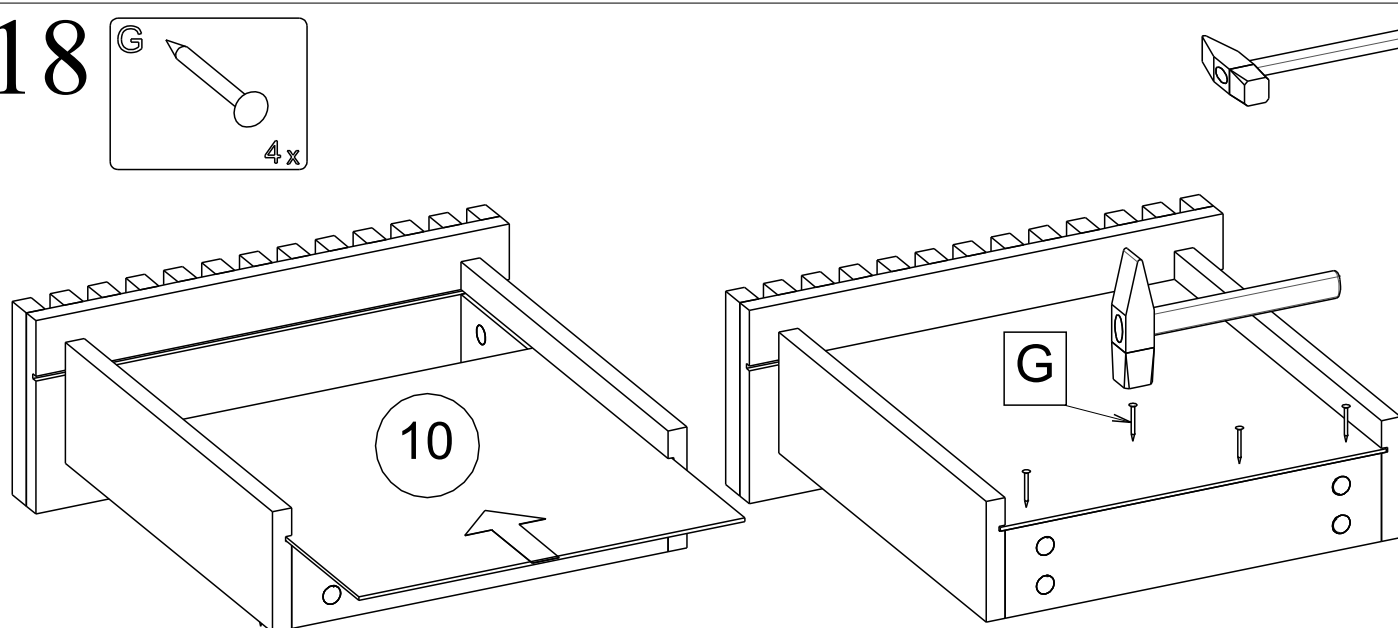
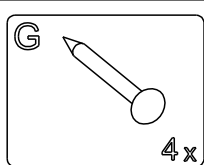
16



17



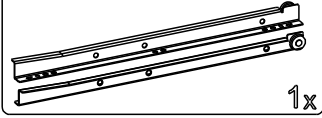
18



19

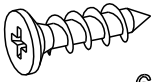
ROL 2/2

L+R

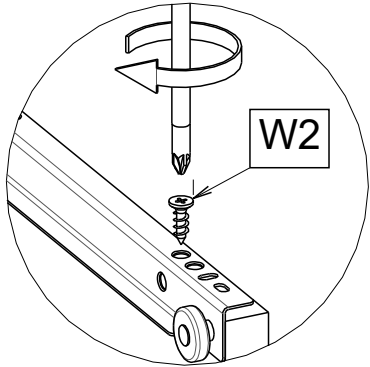
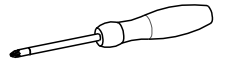


W2

4x16

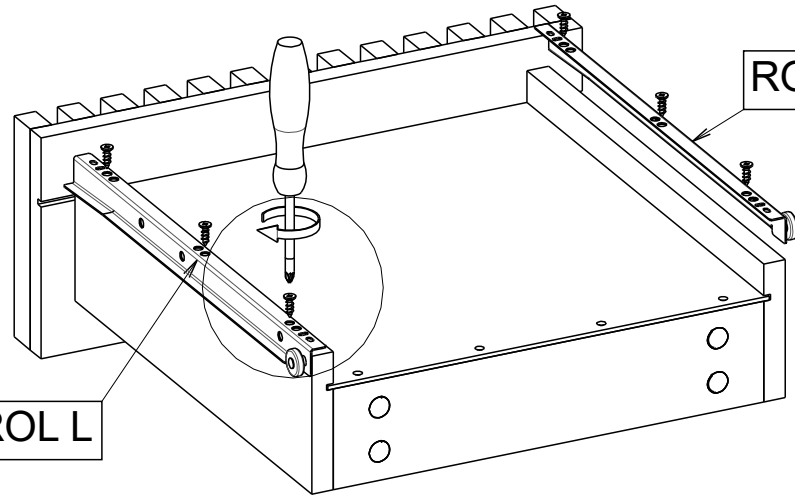


6x



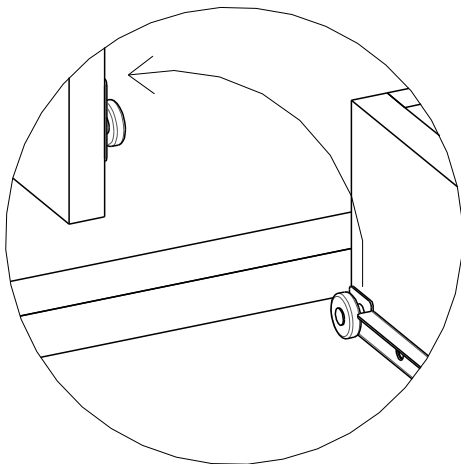
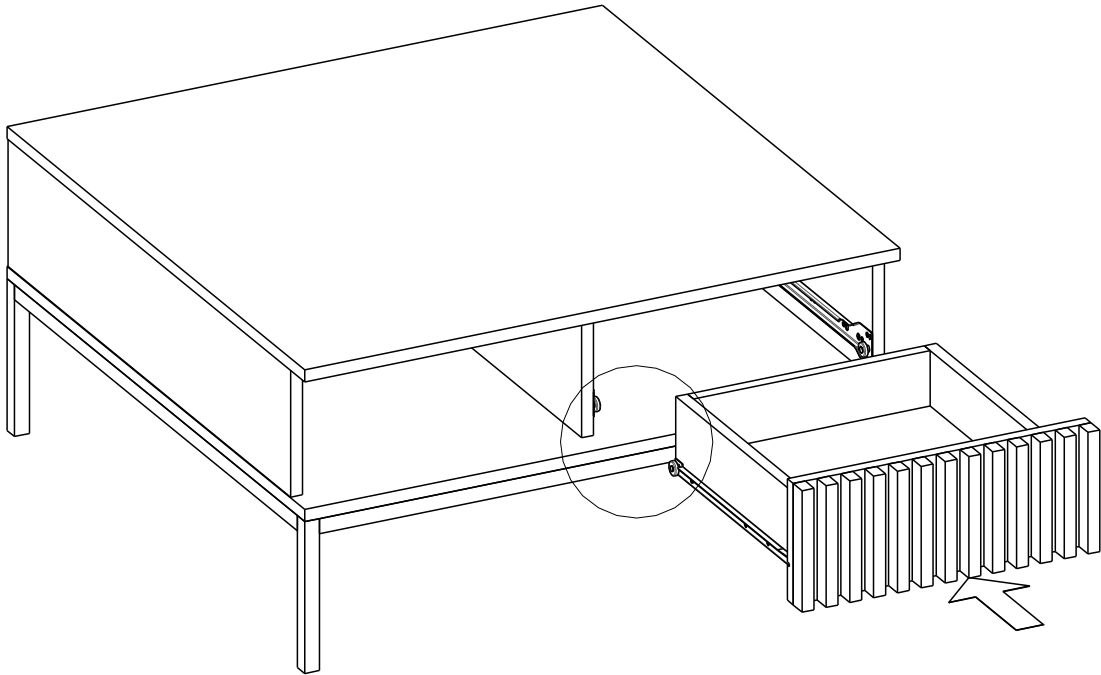
W2

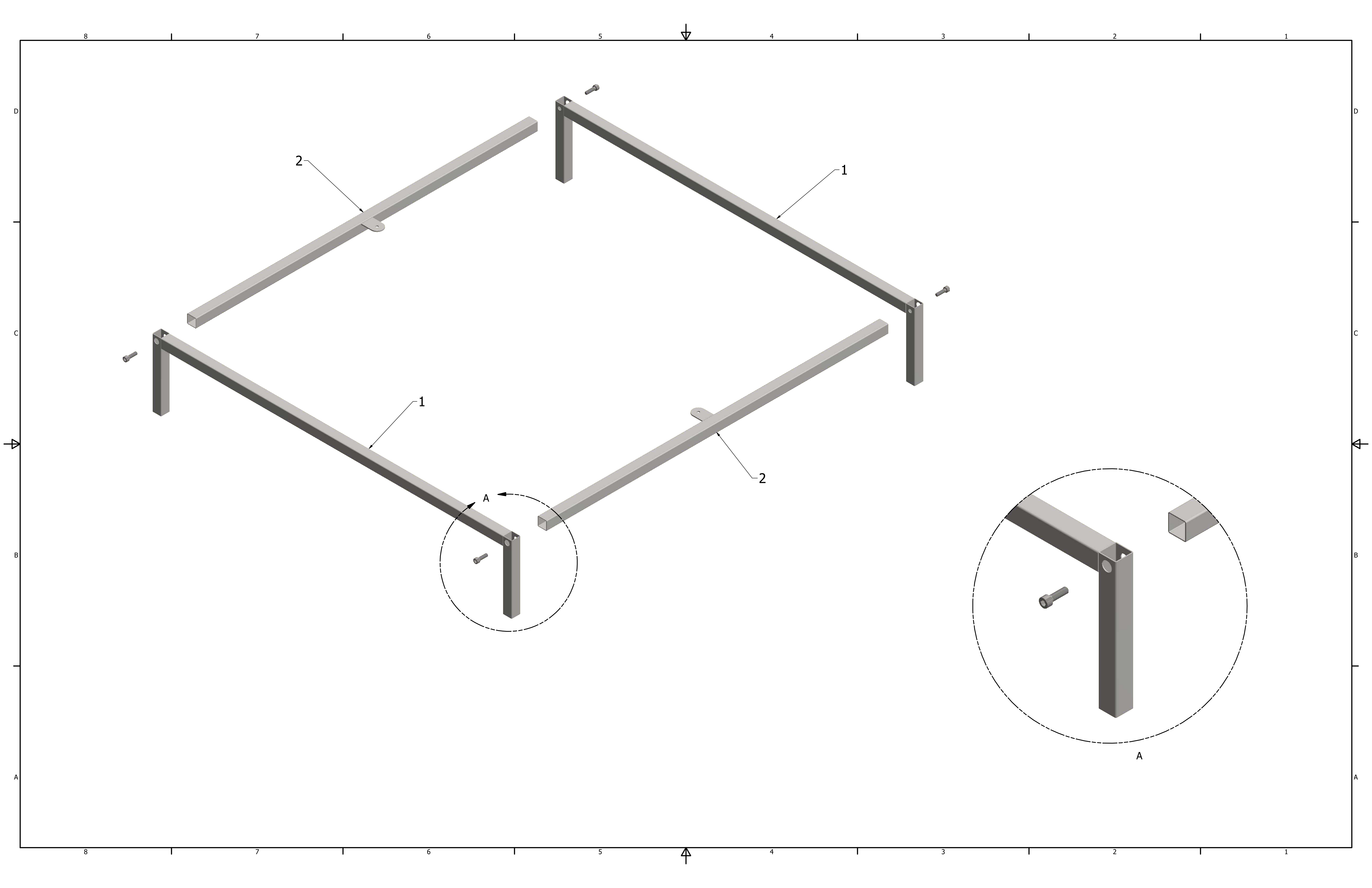
ROL L



ROL R

20





S-S80

