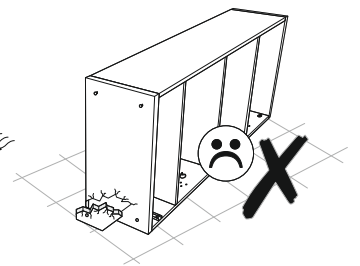
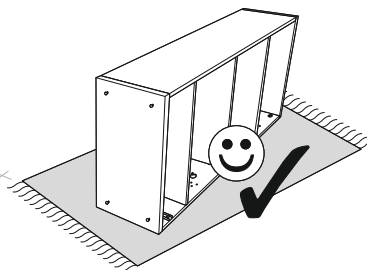
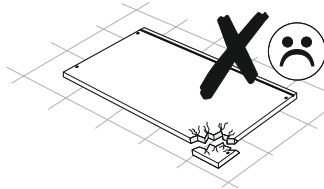
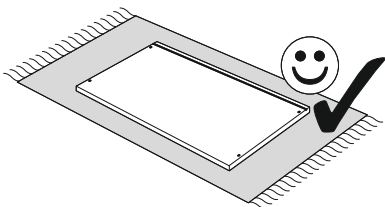
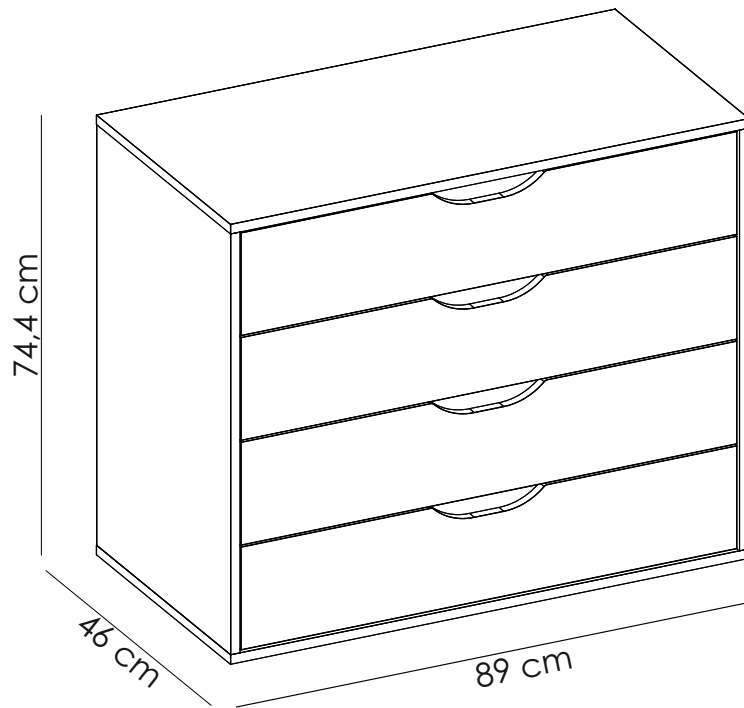
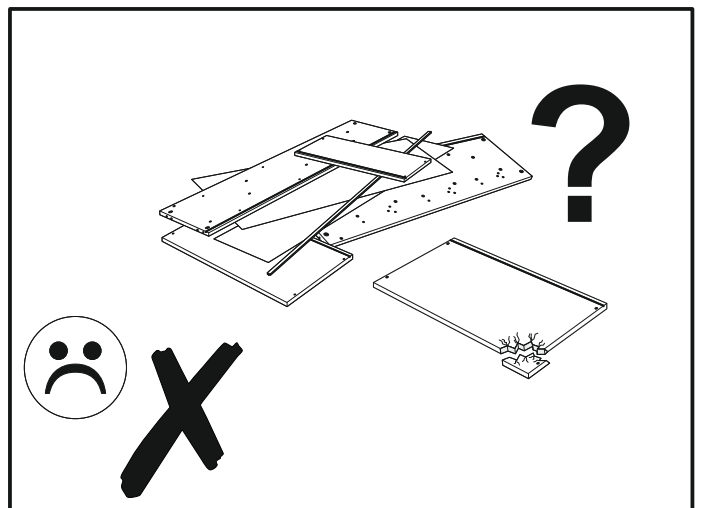
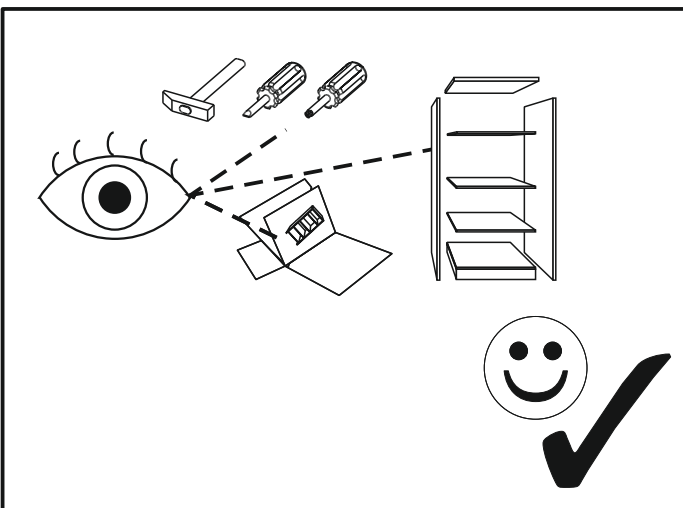
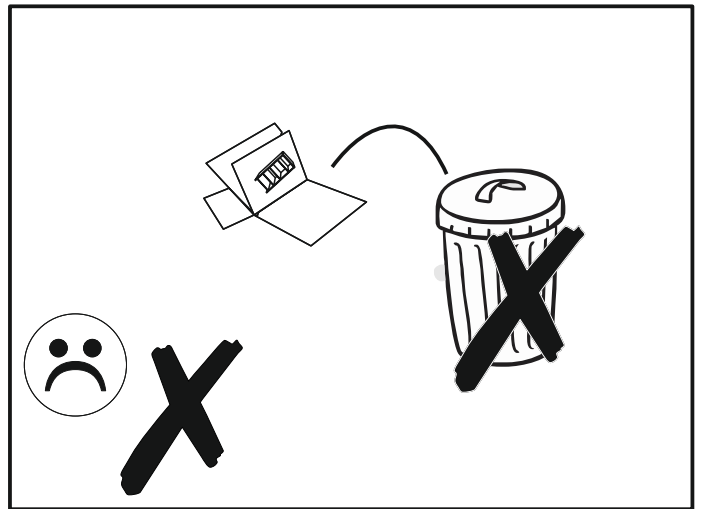
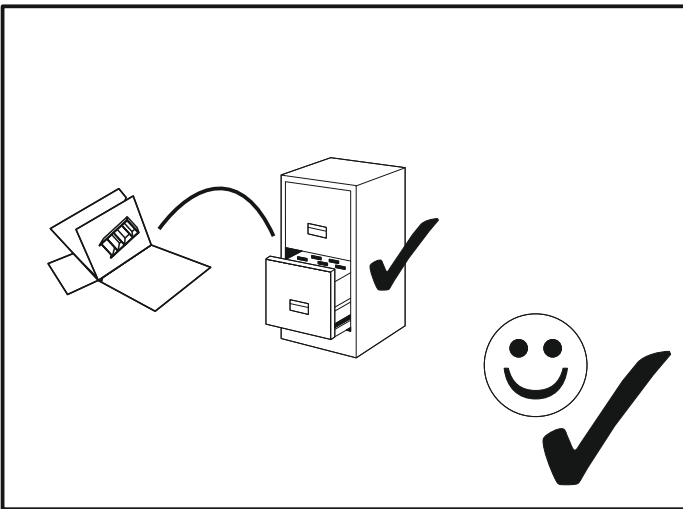
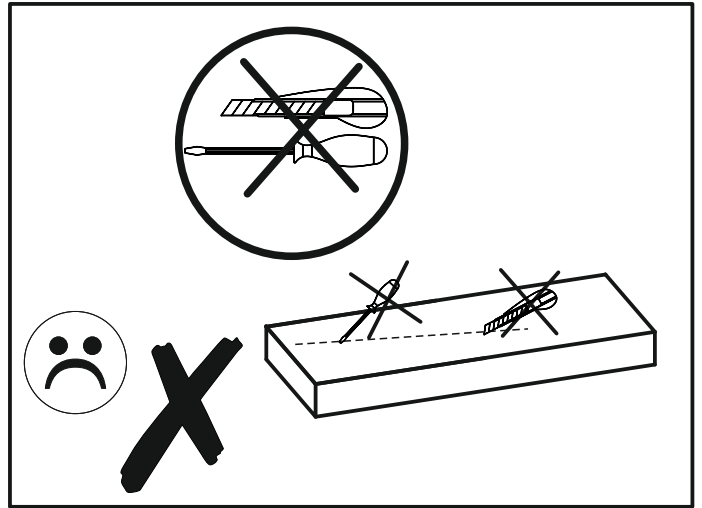
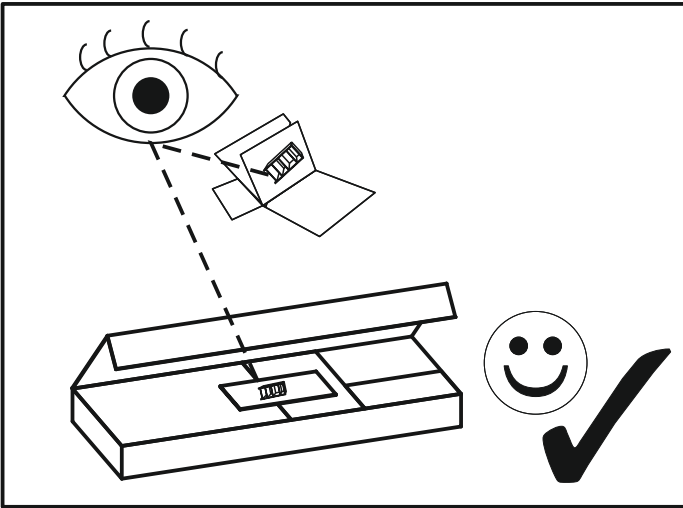
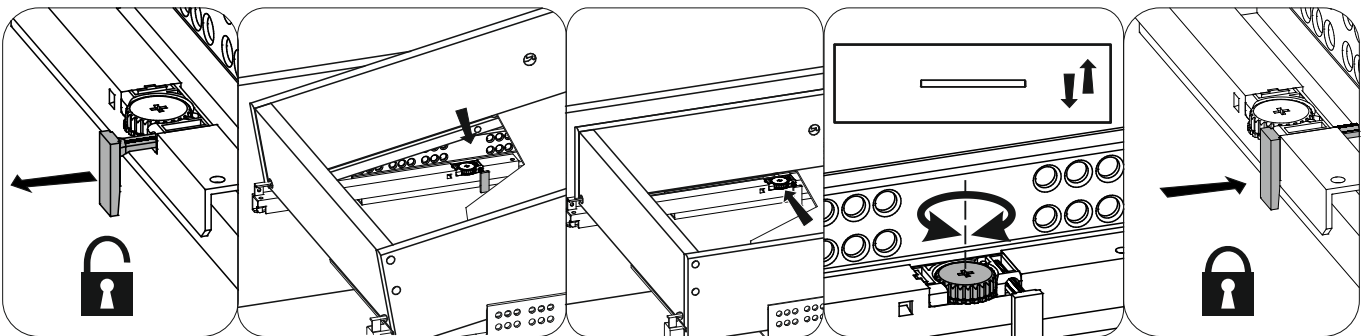
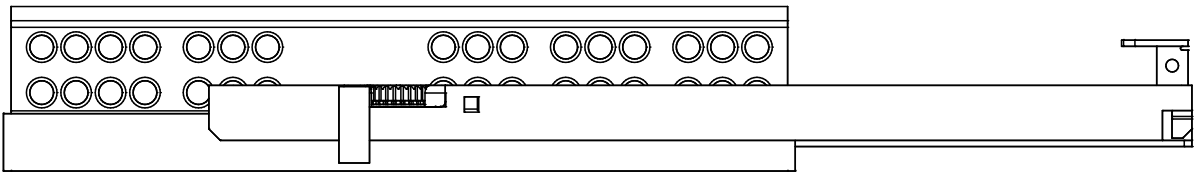
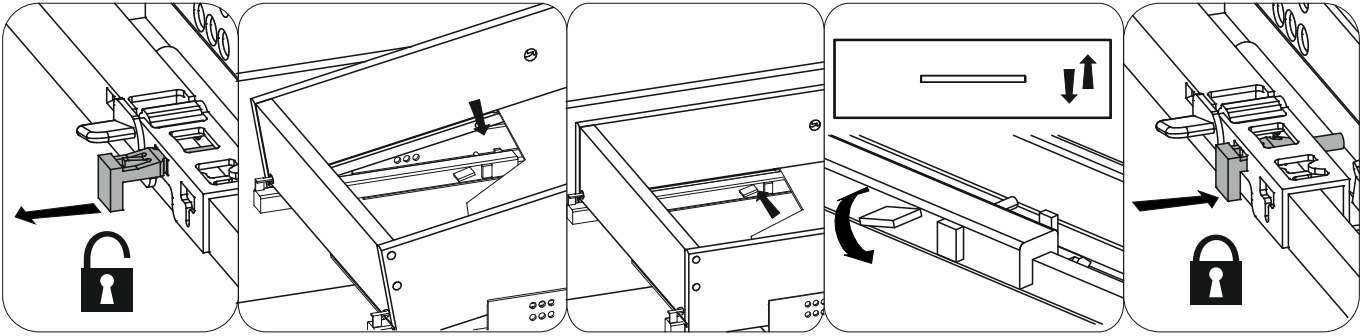
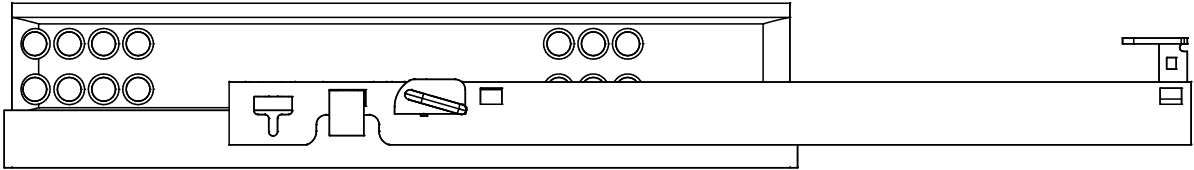
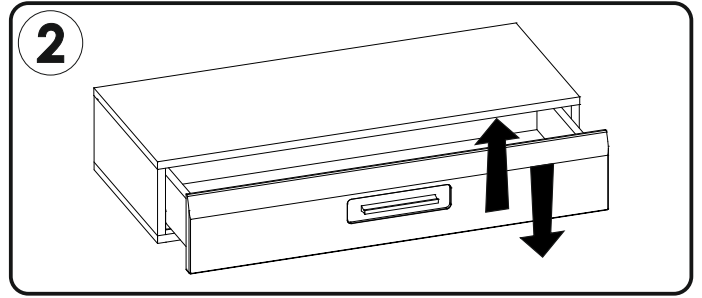
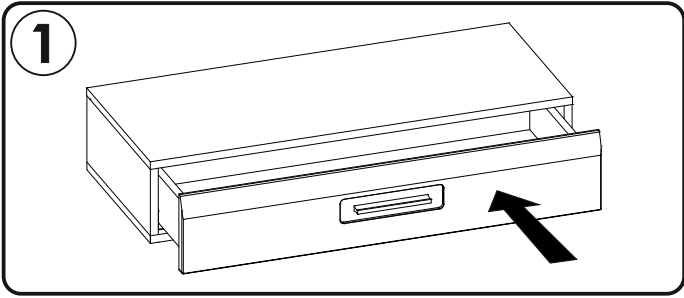


Ø8







MM

260

250

240

230

220

210

200

190

180

170

160

150

140

130

120

110

100

90

80

70

60

50





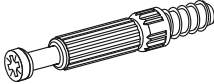



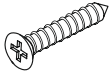
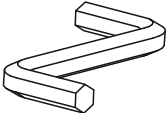

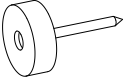
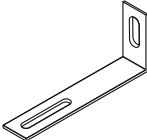
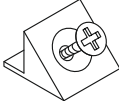
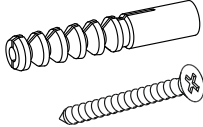
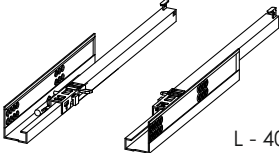
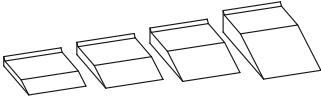
40

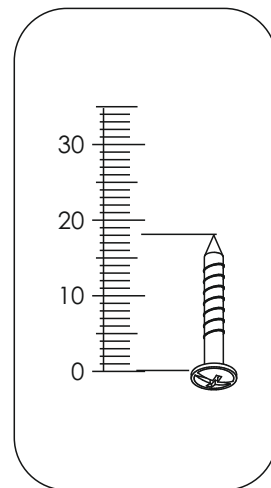
30

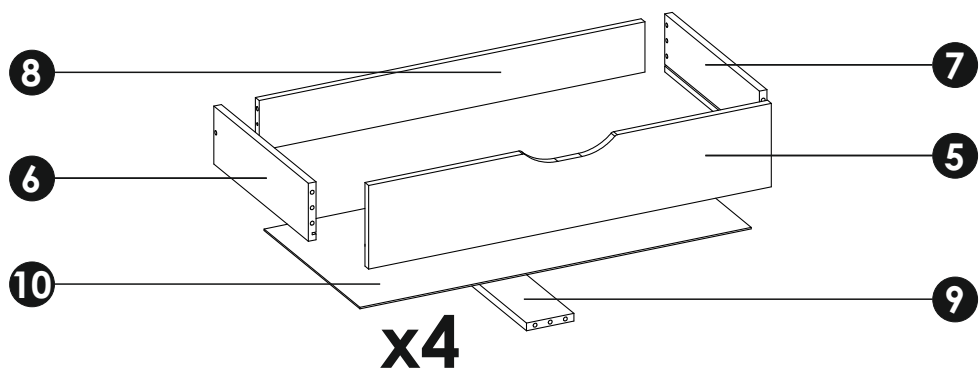
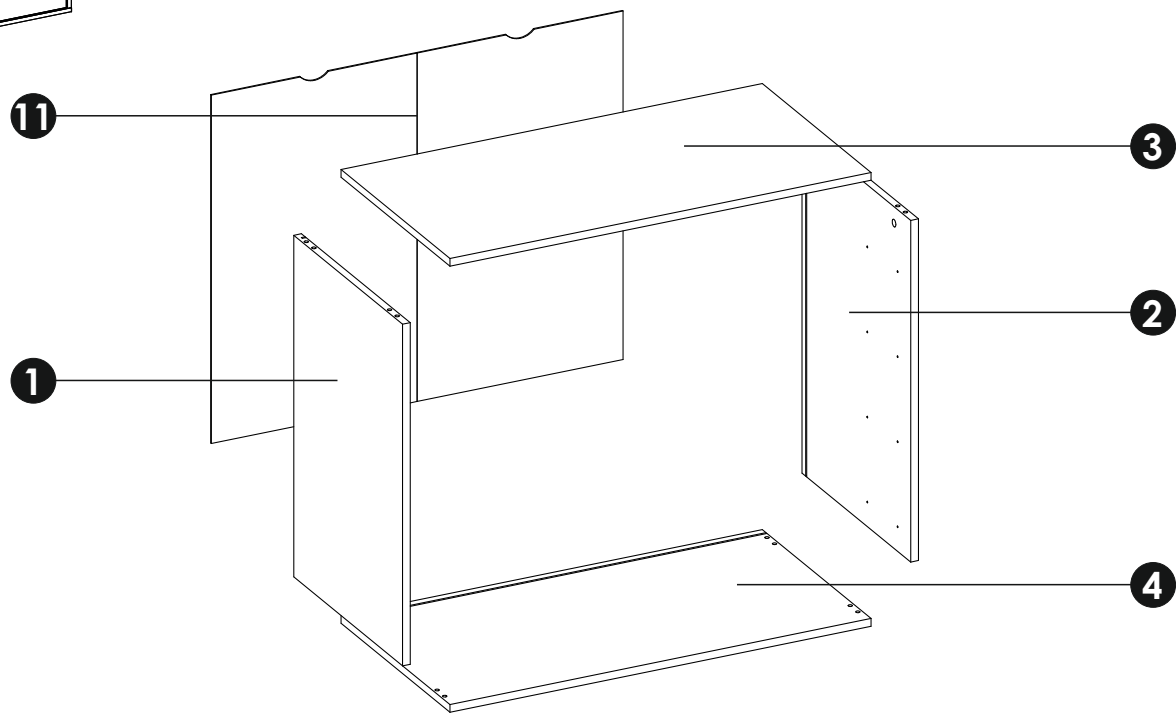
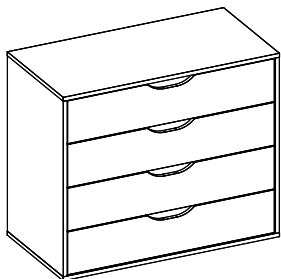
20

10

0

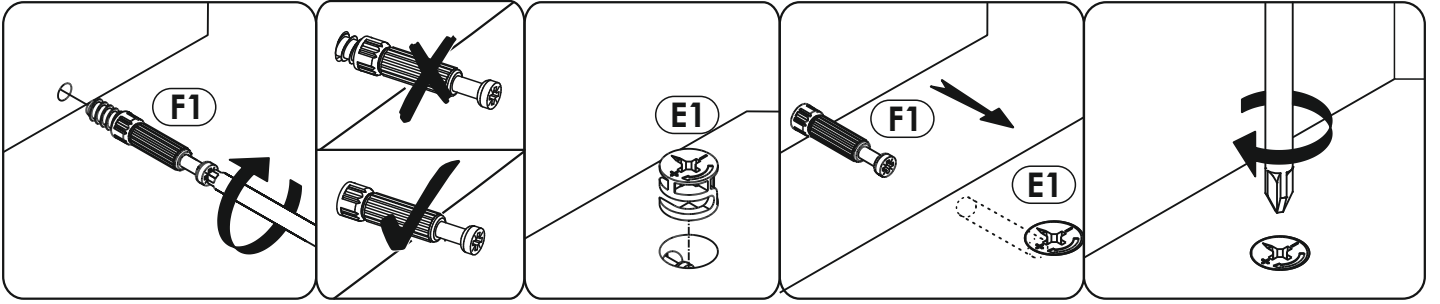
A1 $\varnothing 8 \times 35 \text{ mm}$ x48 	C2 $5 \times 13 \text{ mm}$ x16 	E0  x16
E1 $15 \times 12 \text{ mm}$ x16 	F1 $6 \times 34 \text{ mm}$ x16 	G0  x12
G1 $\varnothing 7 \times 50 \text{ mm}$ x12 	I2 $4 \times 16 \text{ mm}$ x2 	I6 $3,5 \times 40 \text{ mm}$ x8 
M  x1	N1 $3 \times 16 \text{ mm}$ x30 	O2  x4
Q9  x2	R4  x8	S13  x2
T10  x4 L - 400 mm	Z  x1	



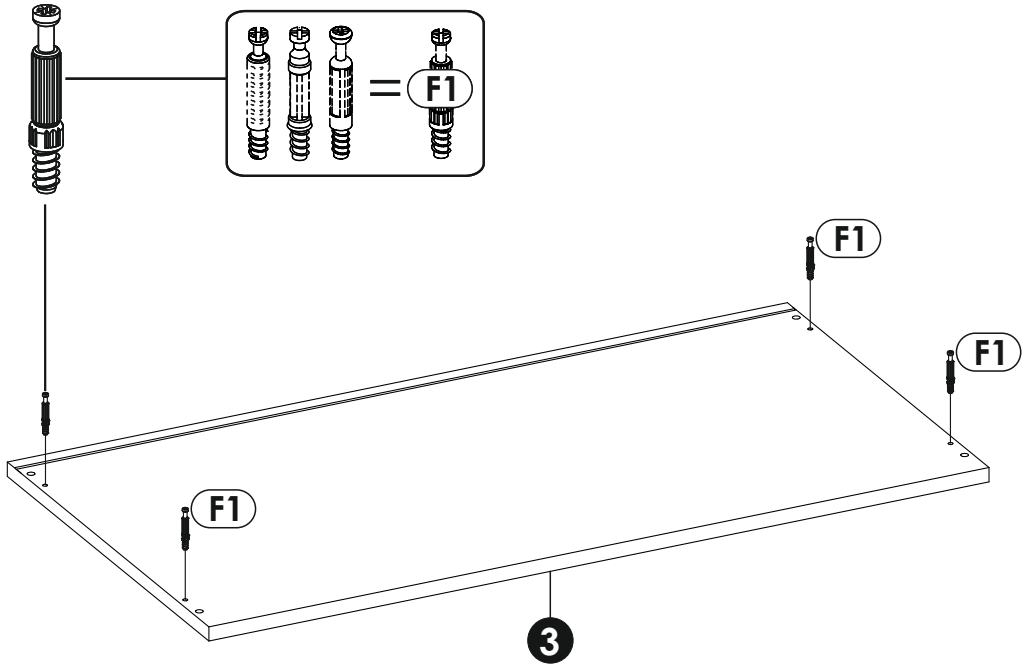


1	707	460	16	x1	1/2
2	707	460	16	x1	1/2
3	890	460	16	x1	1/2
4	890	460	16	x1	1/2
5	851	173	16	x4	2/2
6	400	120	16	x4	1/2

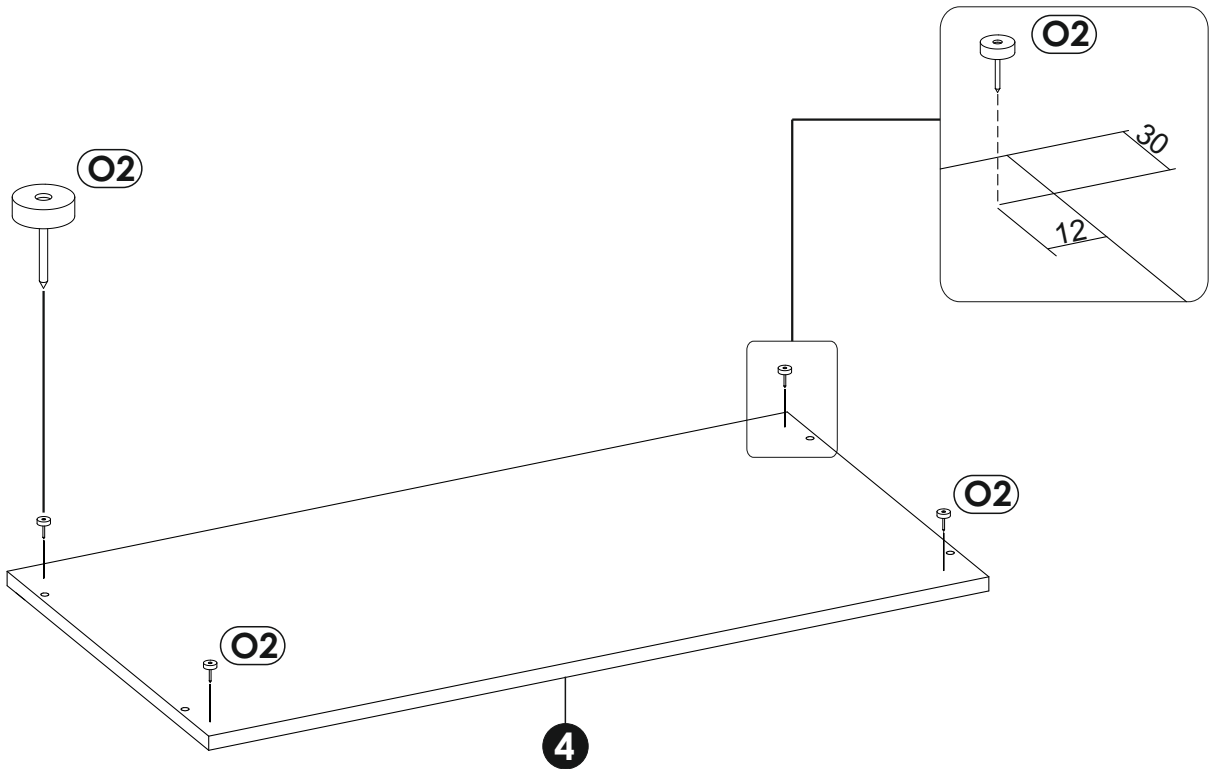
7	400	120	16	x4	1/2
8	815	104	16	x4	2/2
9	400	100	16	x4	1/2
10	827	405	3	x4	1/2
11	721	870	3	x1	1/2



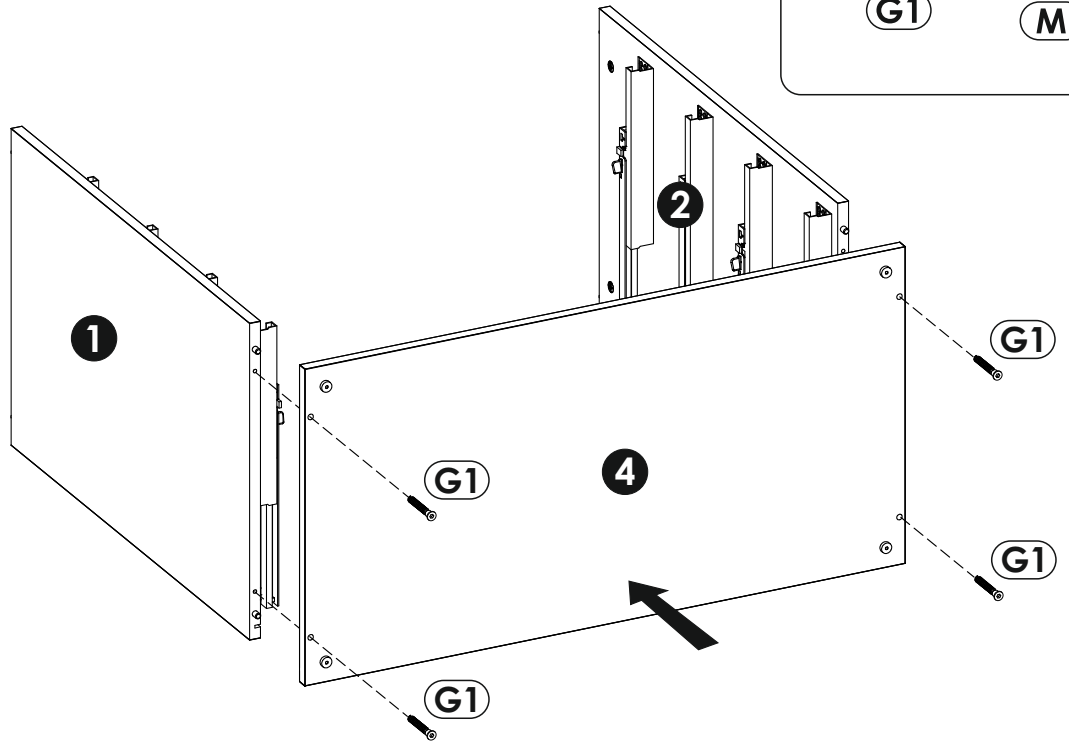
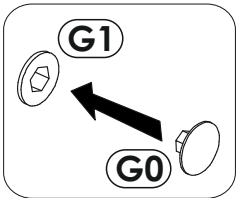
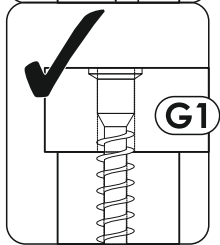
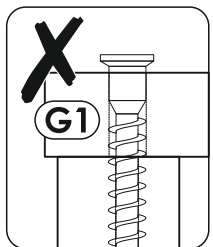
1 ▶



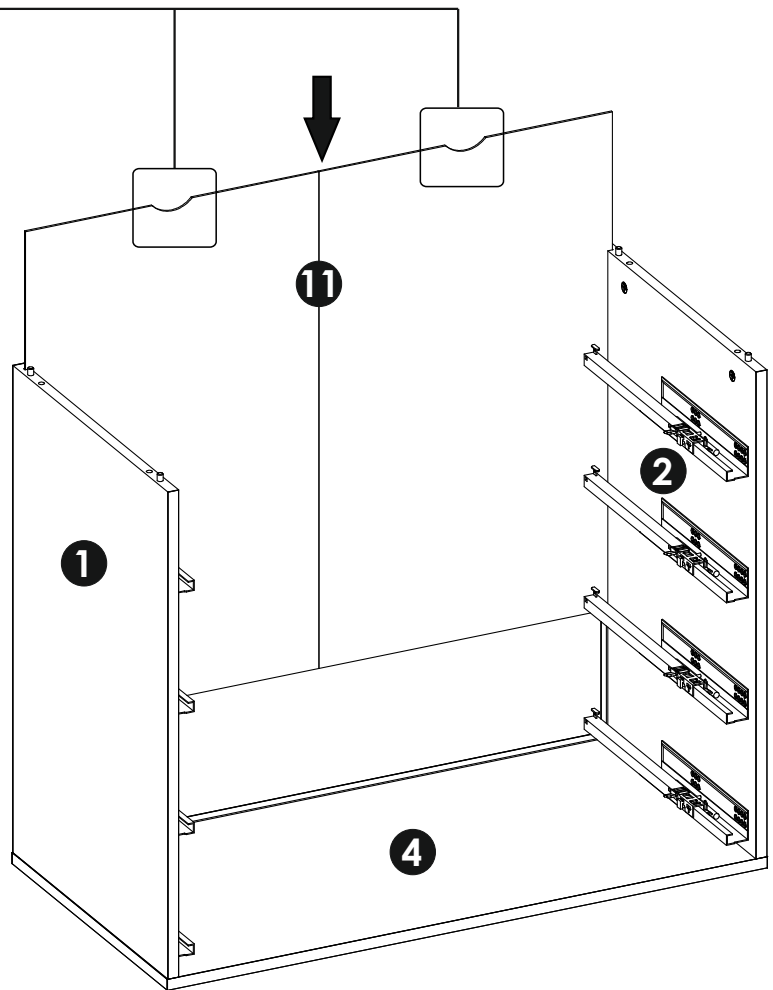
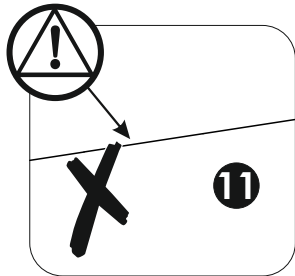
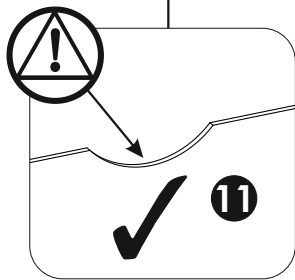
2 ▶



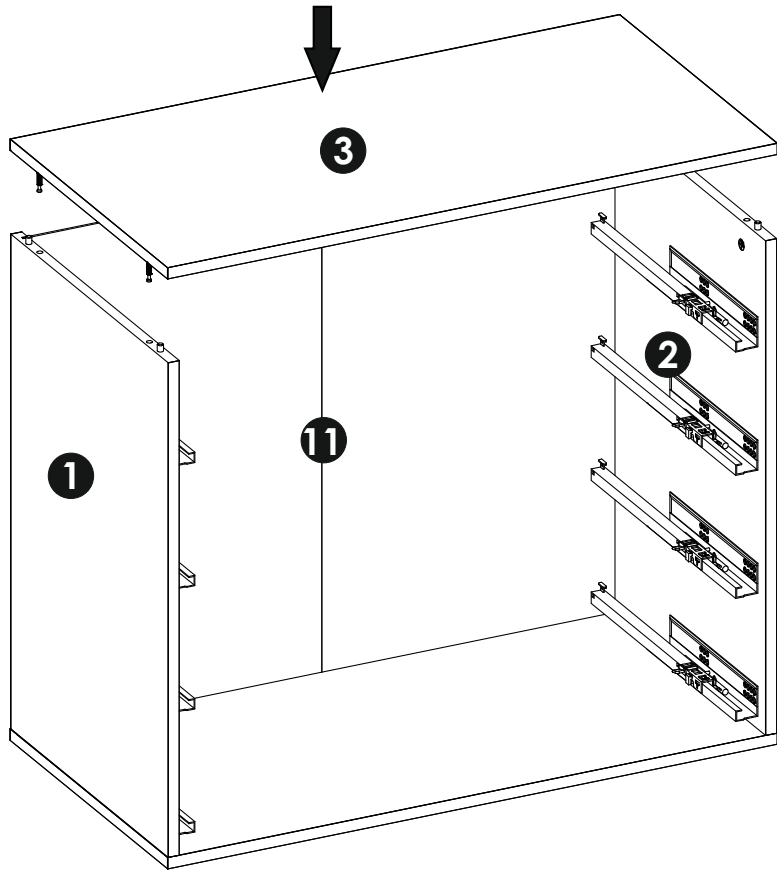
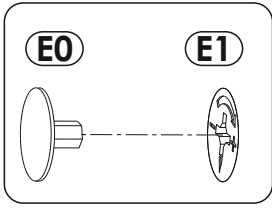
5 ▶



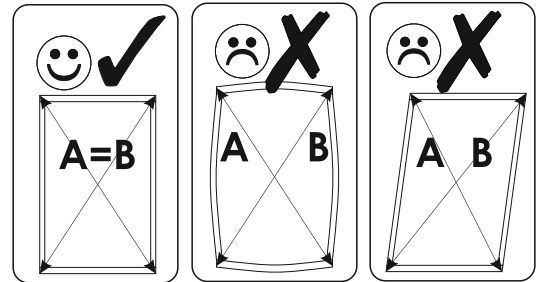
6 ▶



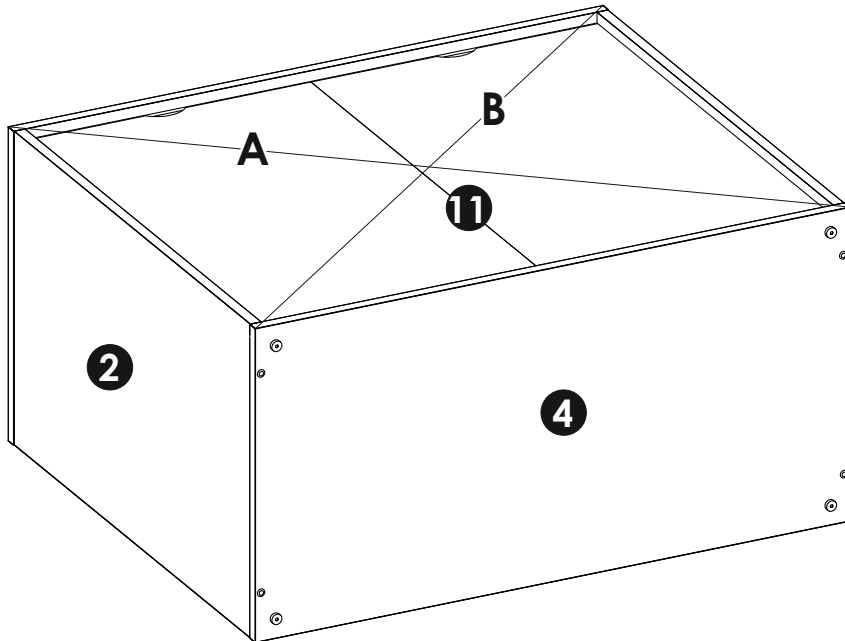
7 ▶

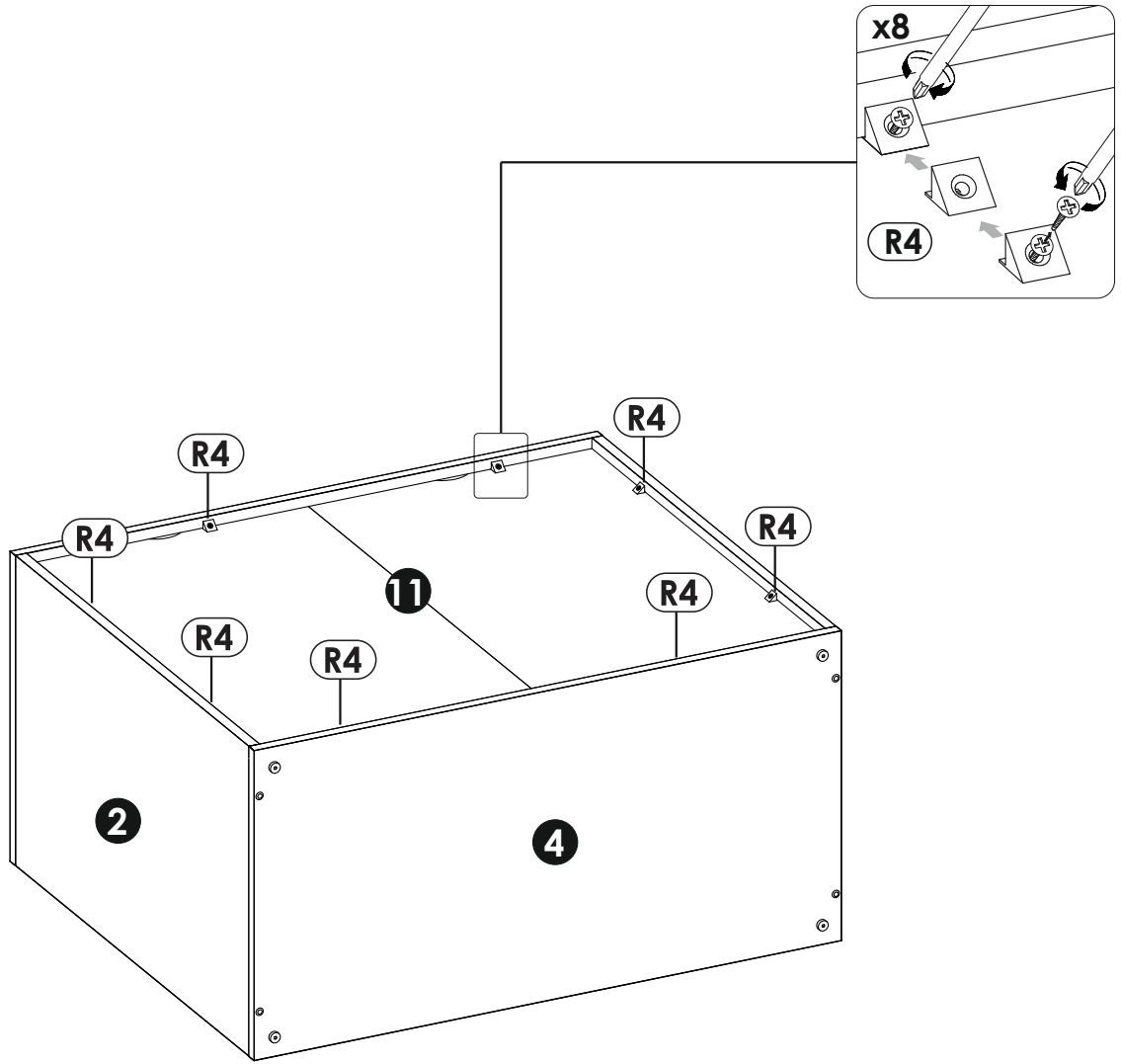


8 ▶

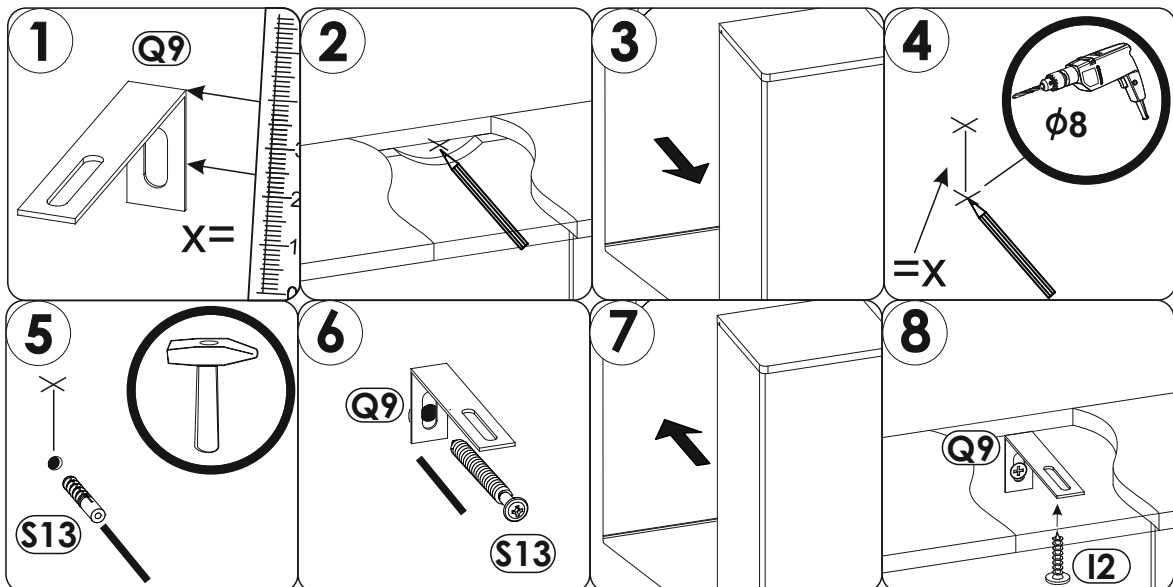
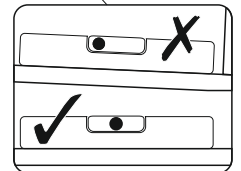
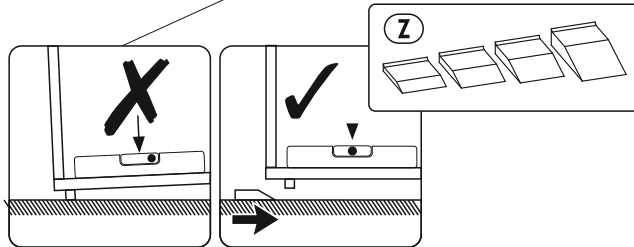
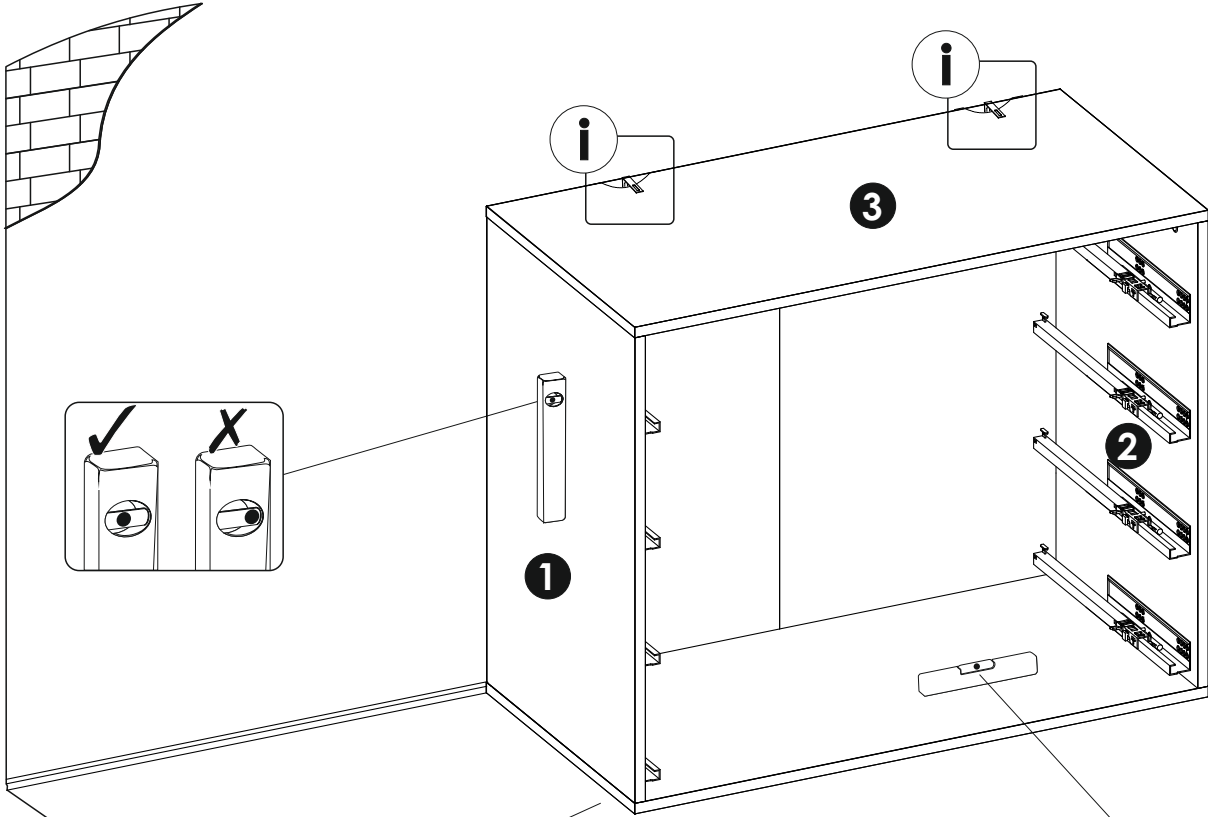
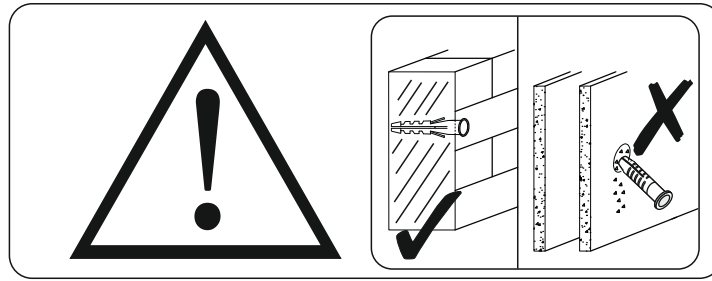


A=B

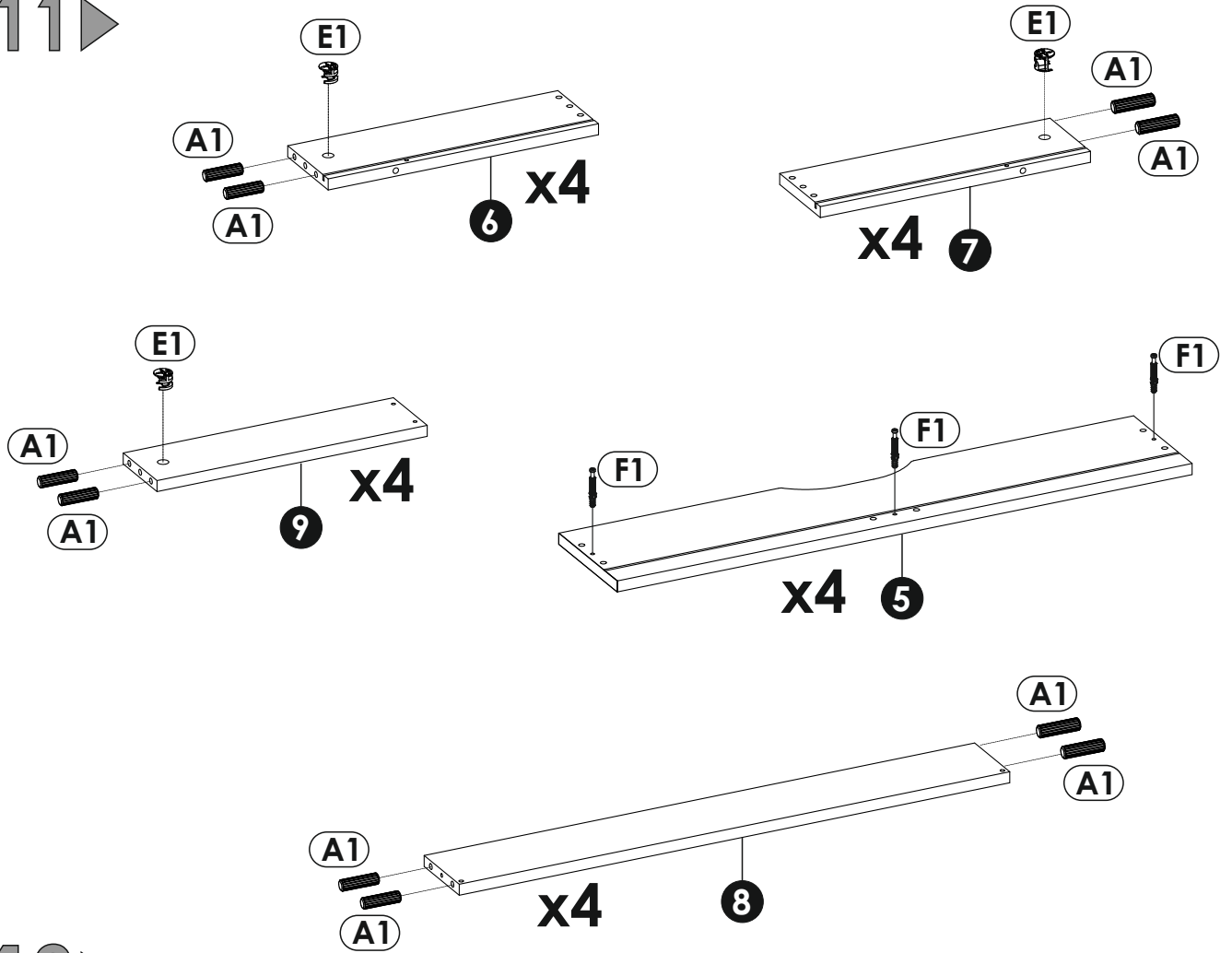




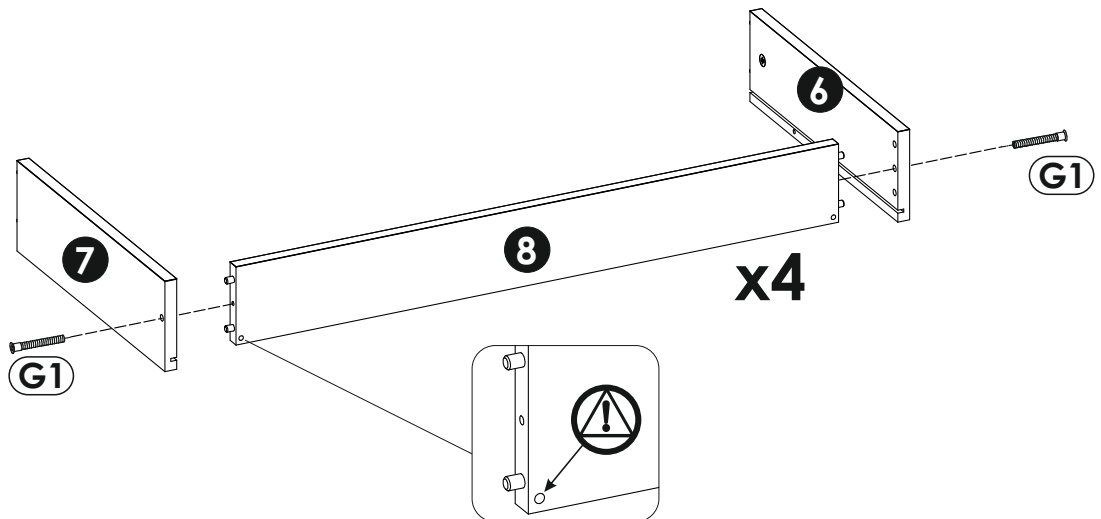
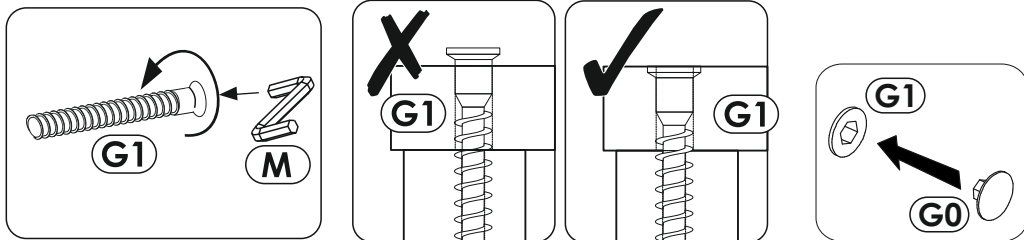
10 ▶



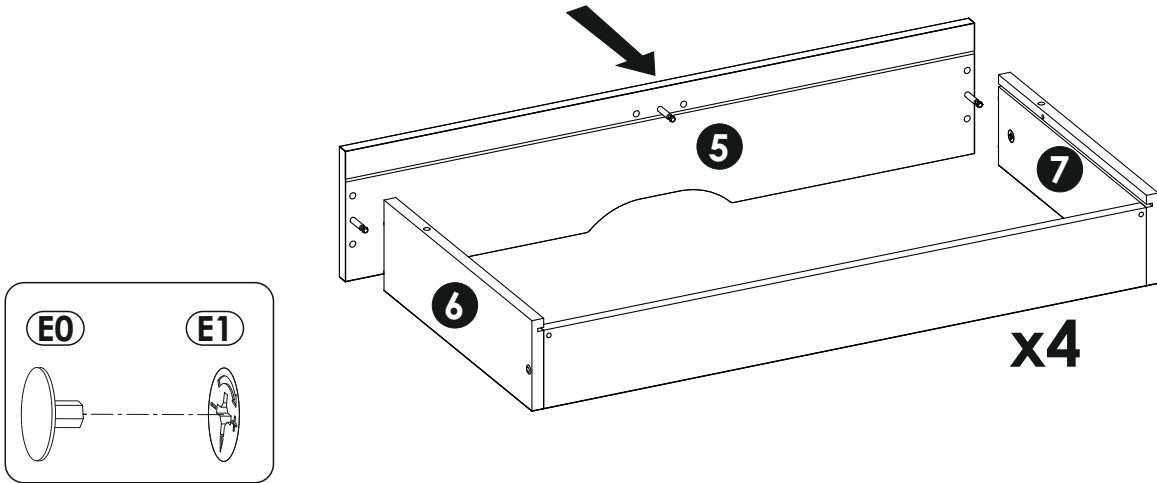
11 ▶



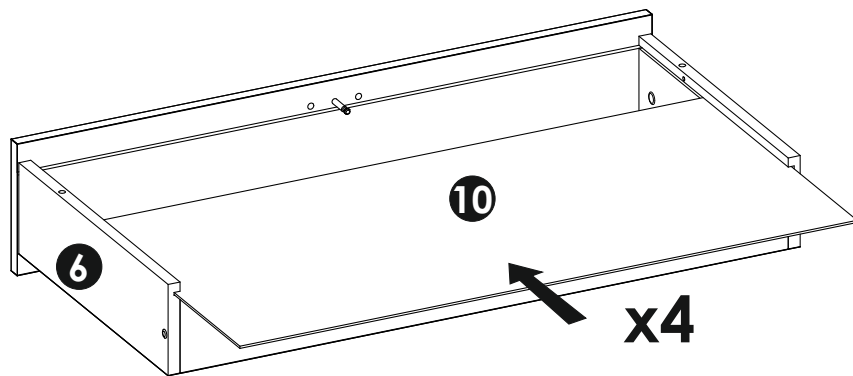
12 ▶



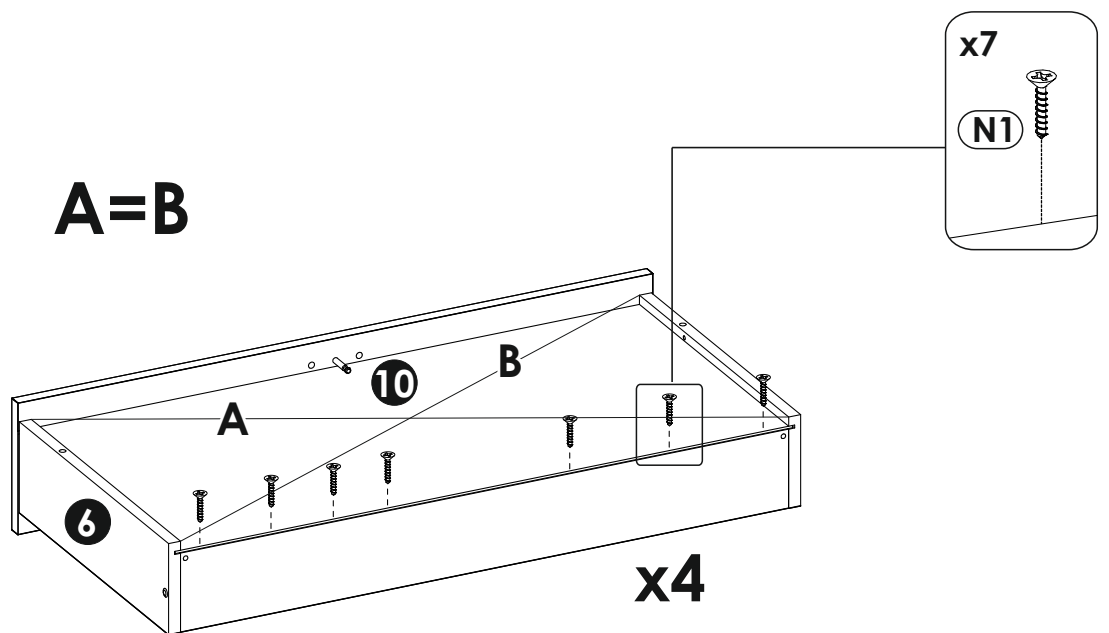
13▶



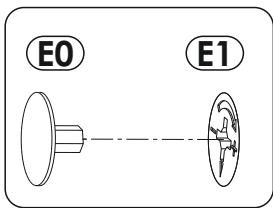
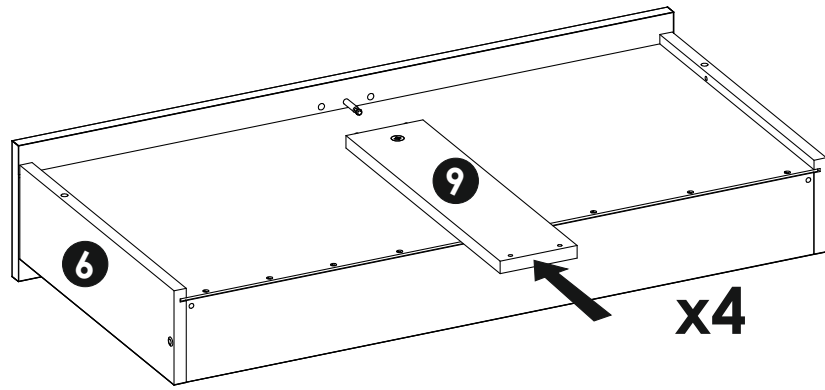
14▶



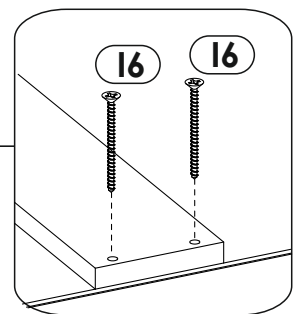
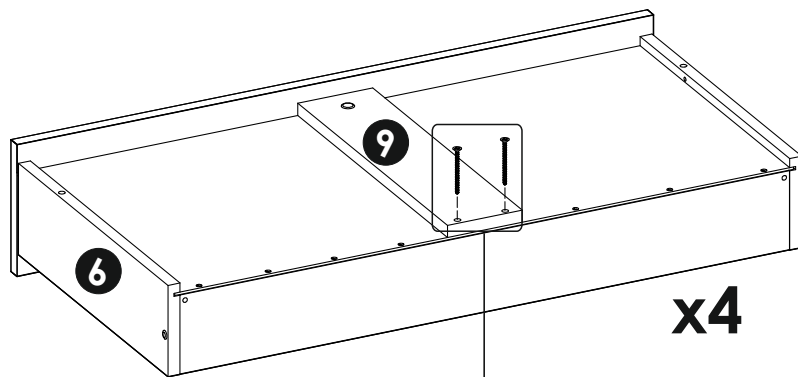
15▶

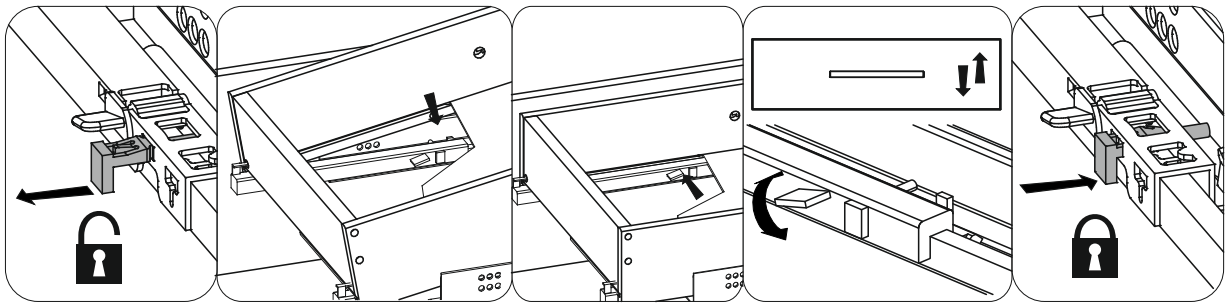


16 ▶



17 ▶





max.
10 kg

max.
5 kg

