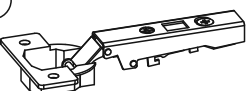
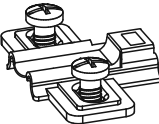
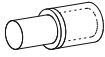

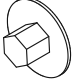

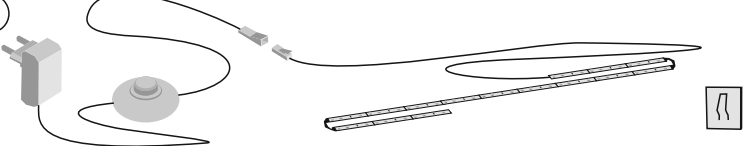
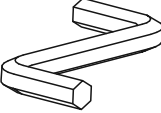
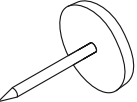
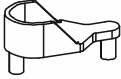
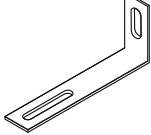
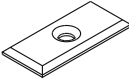
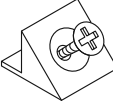
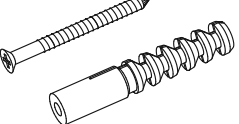
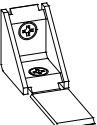
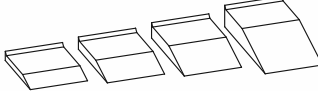


A1	8 x 35 mm	x58	BC11		x6	BC12		x6
C1	4 x 13 mm	x12	D2		x16	E0		x31
E1	15 x 12 mm	x41	F1	6 x 34 mm	x41	G0		x4
G1	7 x 50 mm	x4	H2		x1	I2	4 x 16 mm	x2
J2	4 x 30 mm	x10	L		x1			
M		x1	N1	3 X 16 mm	x15	N2	3,5 X 16 mm	x18
O2		x6	P4		x2	Q9		x2
R1		x11	R4		x12	S13		x2
W		x8	Z		x1			

MM

260

250

240

230

220

210

200

190

180

170

160

150

140

130

120

110

100

90

80

70

60

50

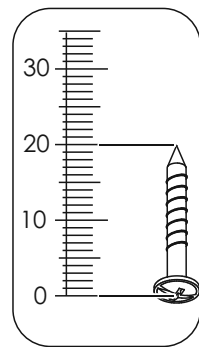
40

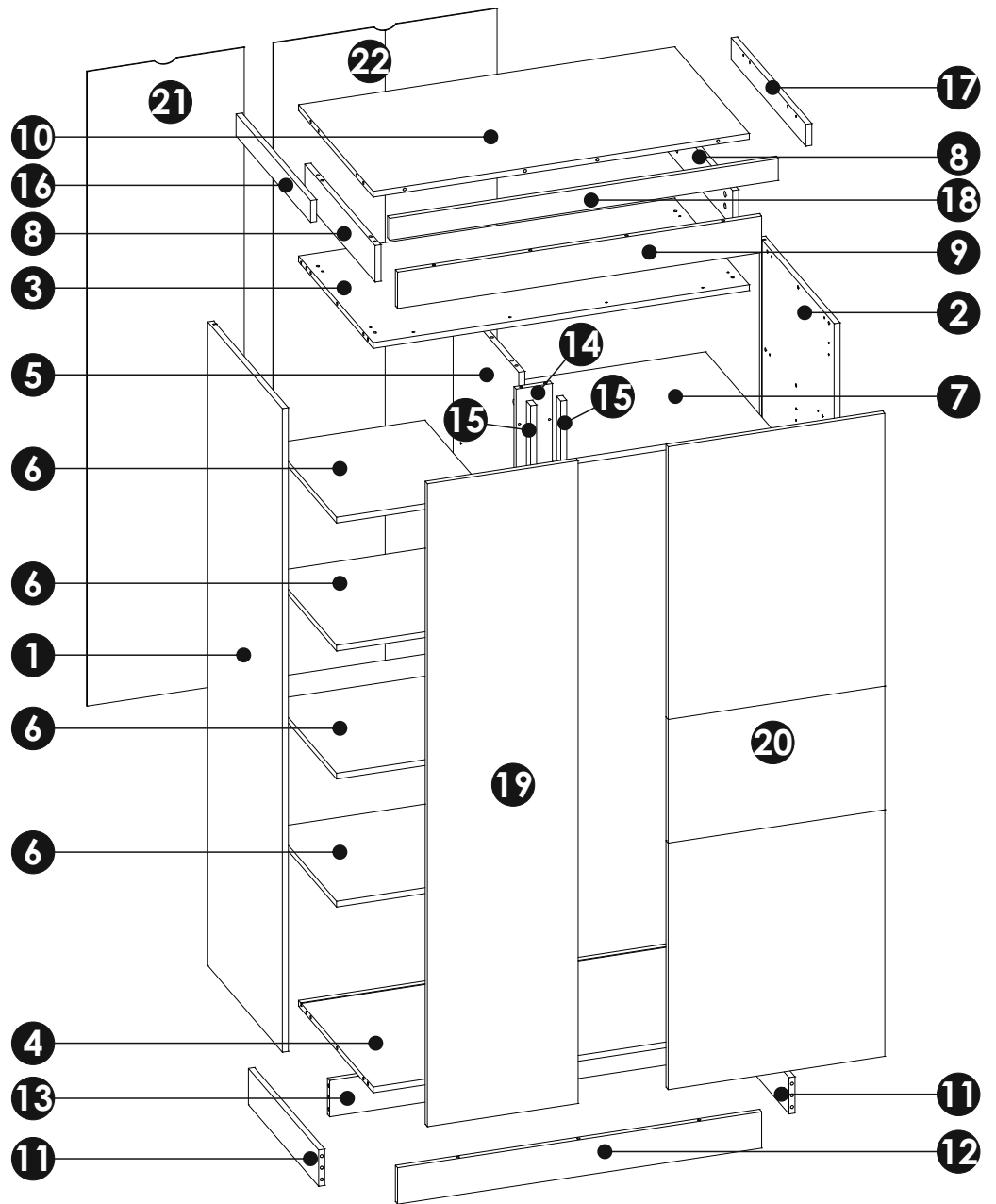
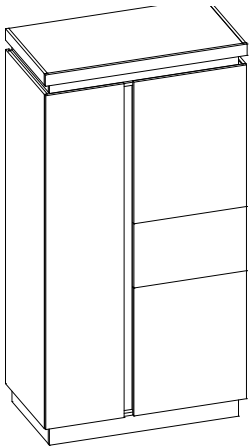
30

20

10

0

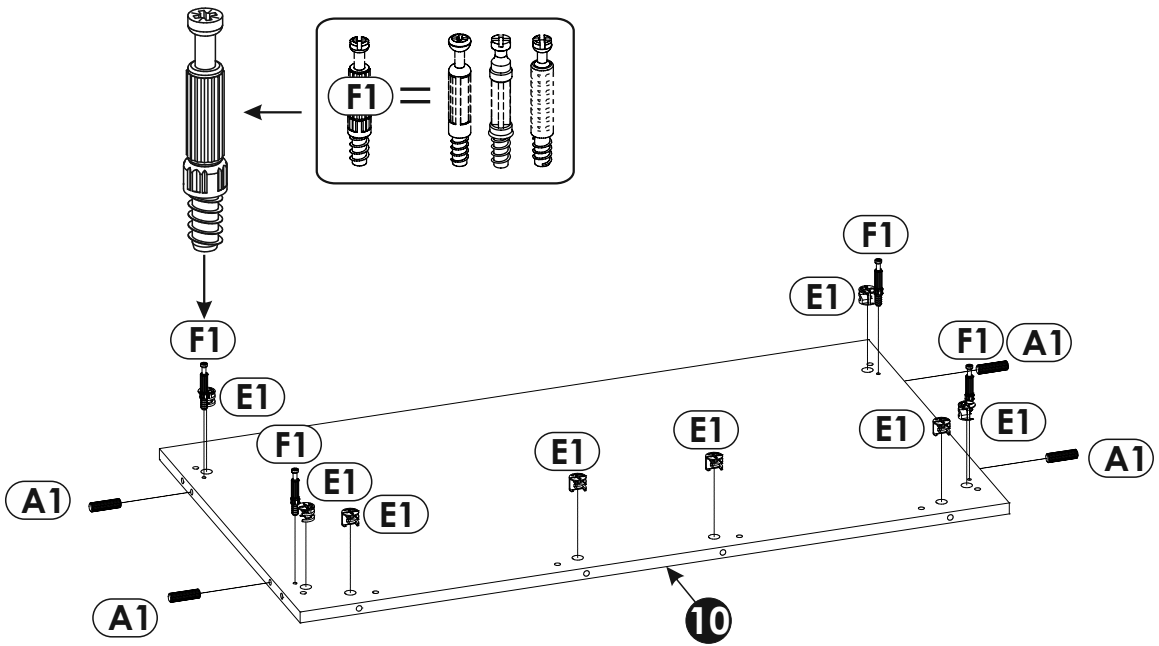
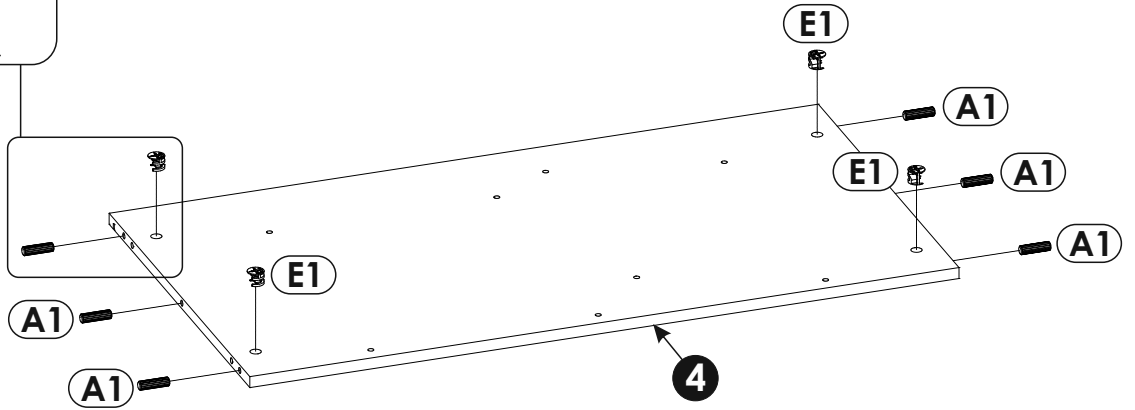
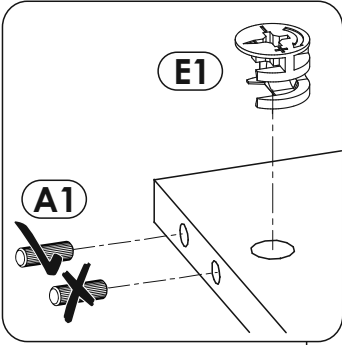
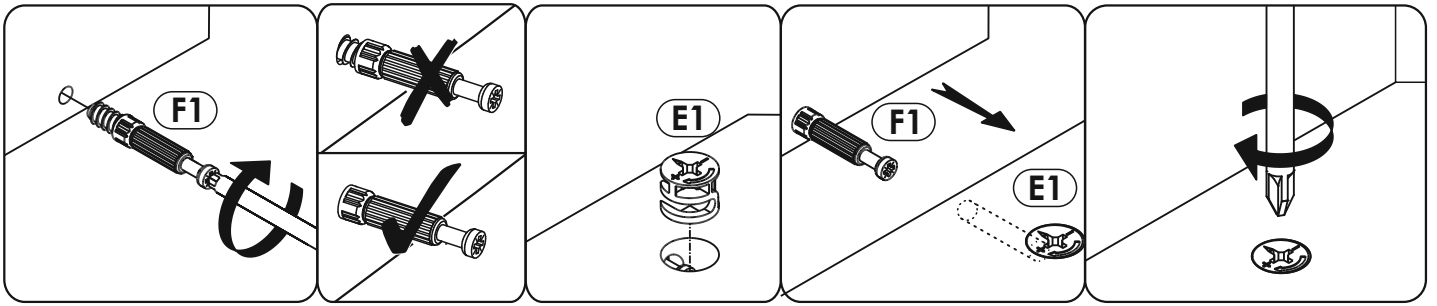




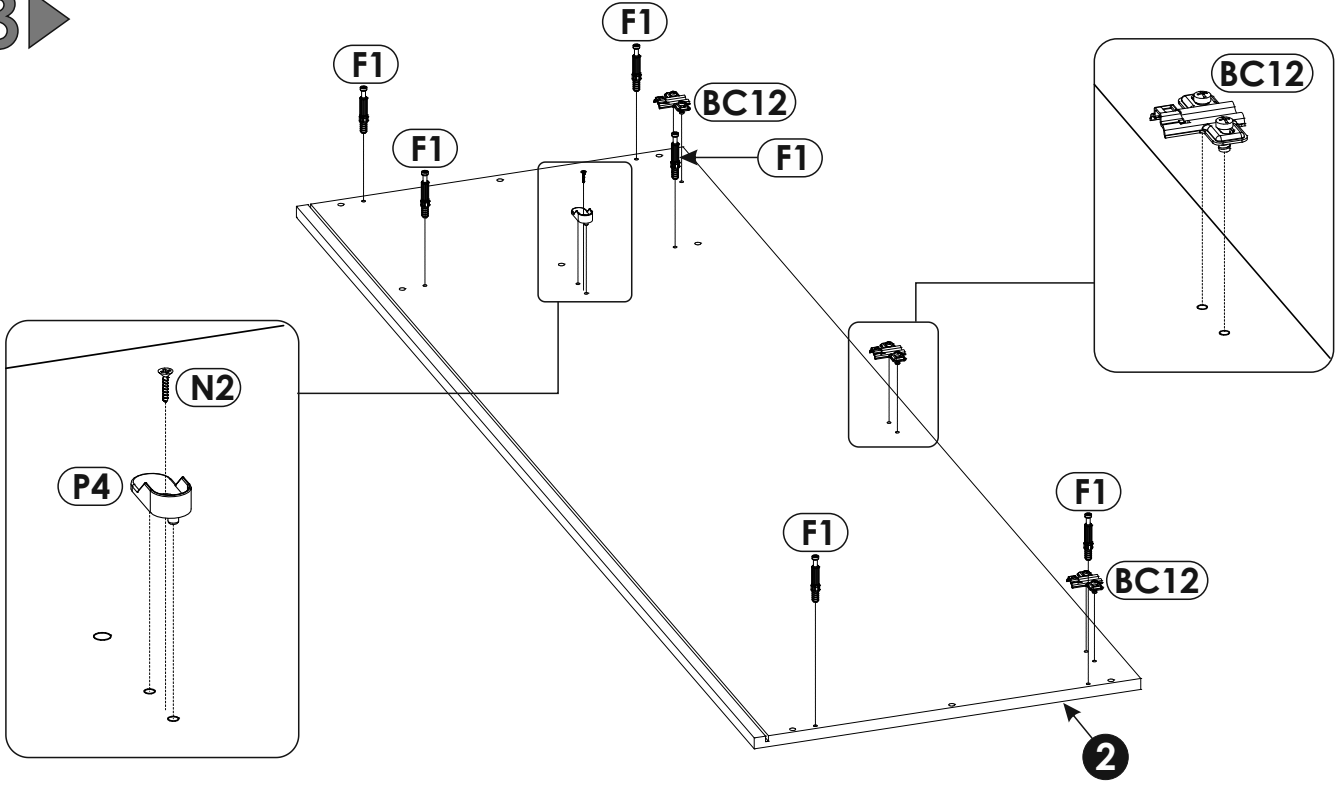
1	1770	544	16	x1	2/4
2	1770	544	16	x1	2/4
3	998	544	16	x1	4/4
4	998	544	16	x1	1/4
5	1731	478	16	x1	3/4
6	403	463	16	x4	1/4
7	579	478	16	x1	1/4
8	512	100	16	x2	1/4

9	966	100	16	x1	1/4
10	998	544	16	x1	4/4
11	512	100	16	x2	1/4
12	966	100	16	x1	1/4
13	932	100	16	x1	1/4
14	1731	96	16	x1	3/4
15	1731	30	16	x2	4/4

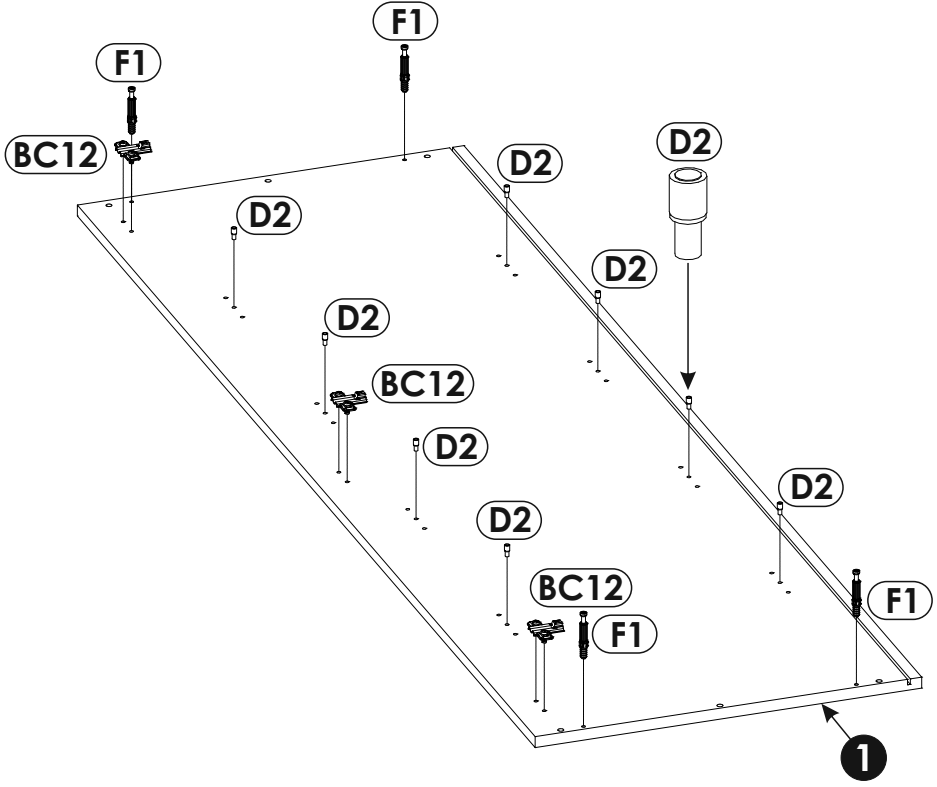
16	544	60	16	x1	4/4
17	544	60	16	x1	4/4
18	1031	60	16	x1	4/4
19	1768	400	16	x1	4/4
20	1768	575	16	x1	3/4
21	1745	417	3	x1	3/4
22	1745	594	3	x1	2/4



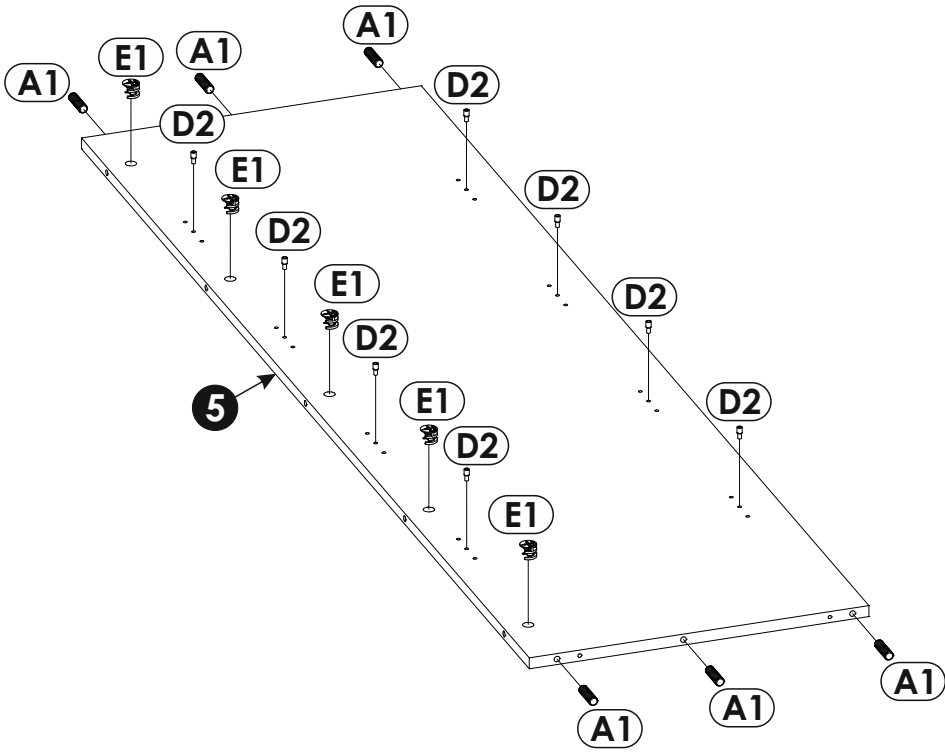
3 ▶



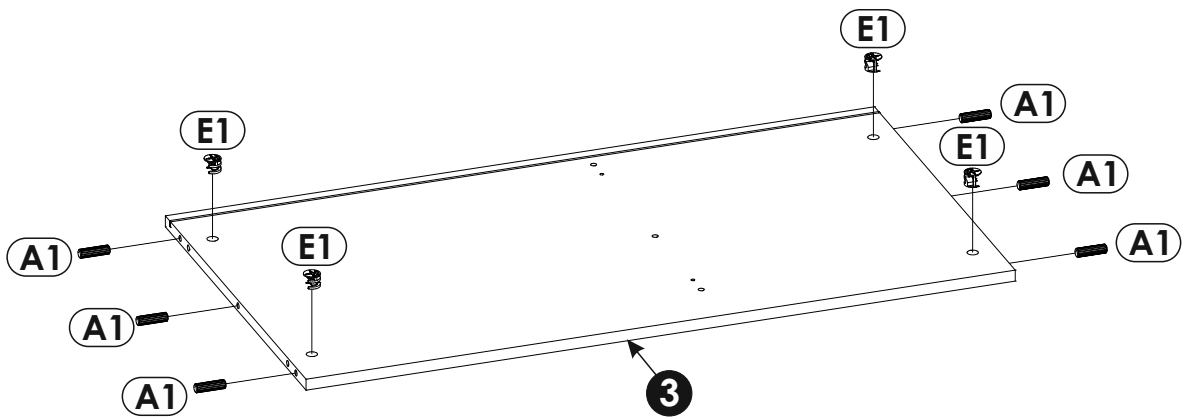
4 ▶



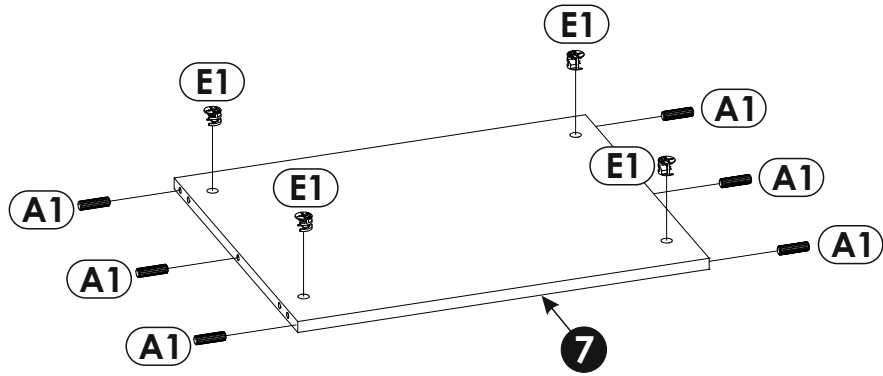
5 ▶



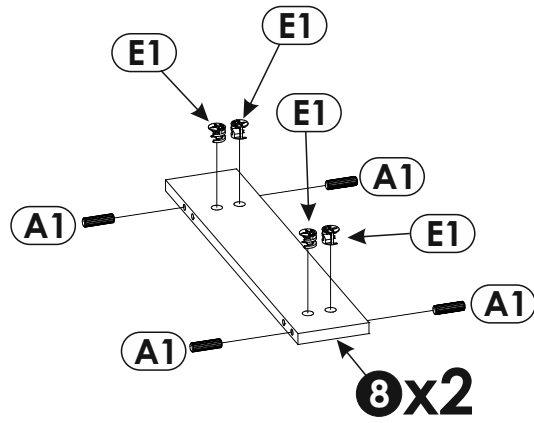
6 ▶



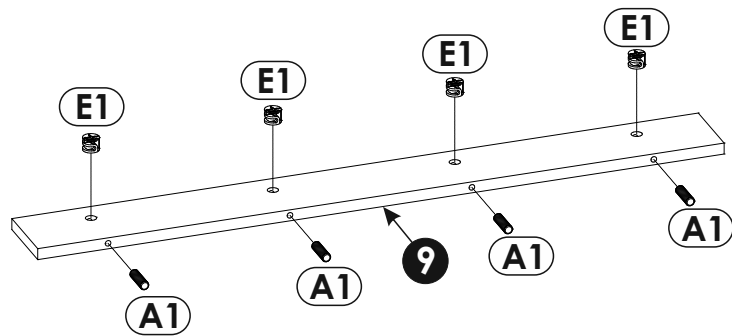
7▶



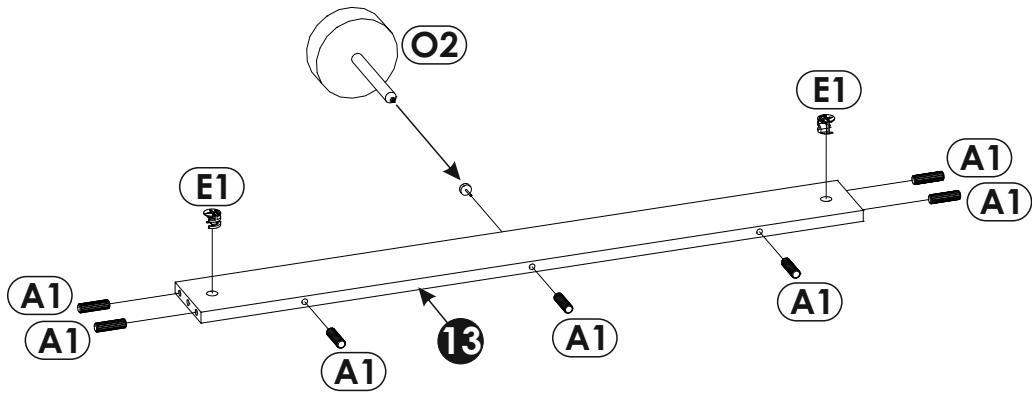
8▶



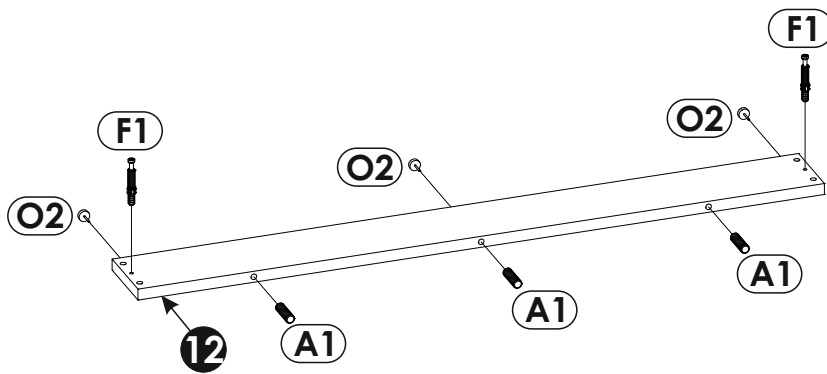
9▶



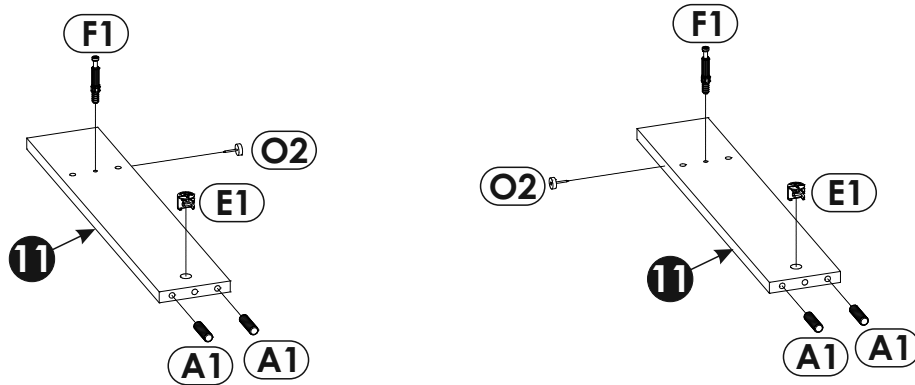
10 ▶



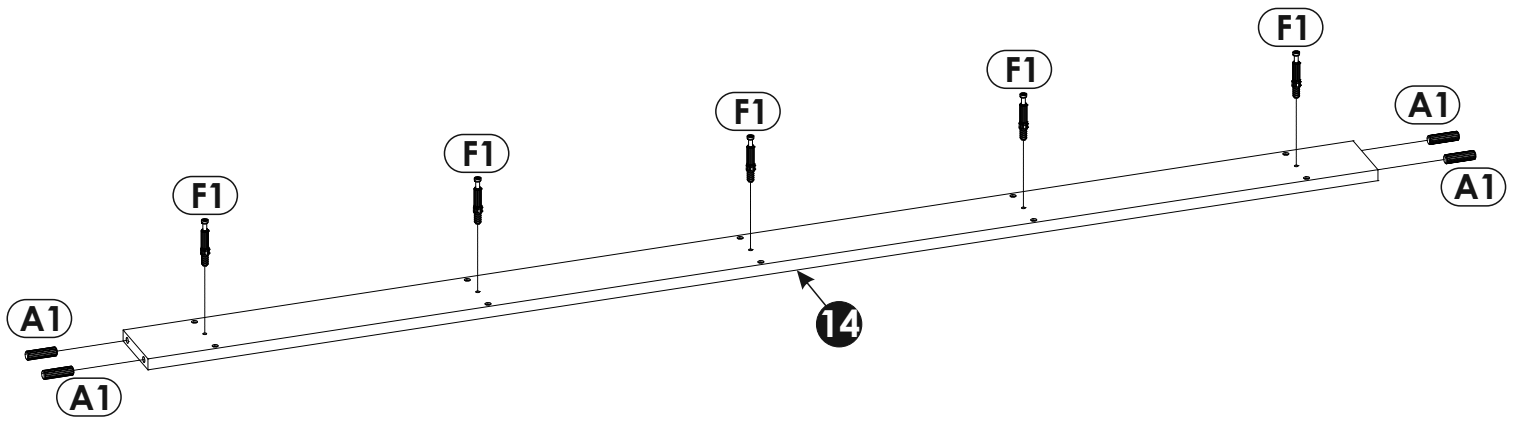
11 ▶



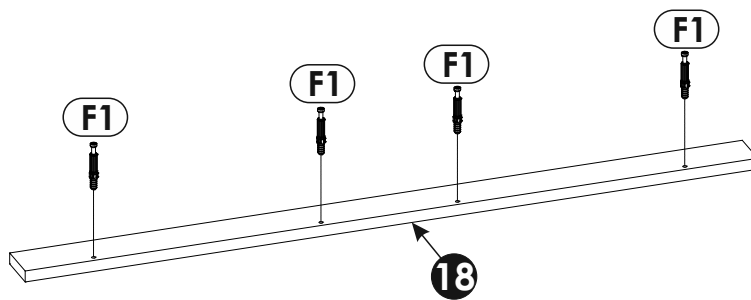
12 ▶



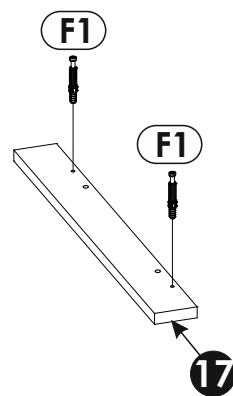
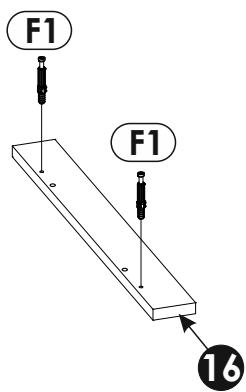
13▶



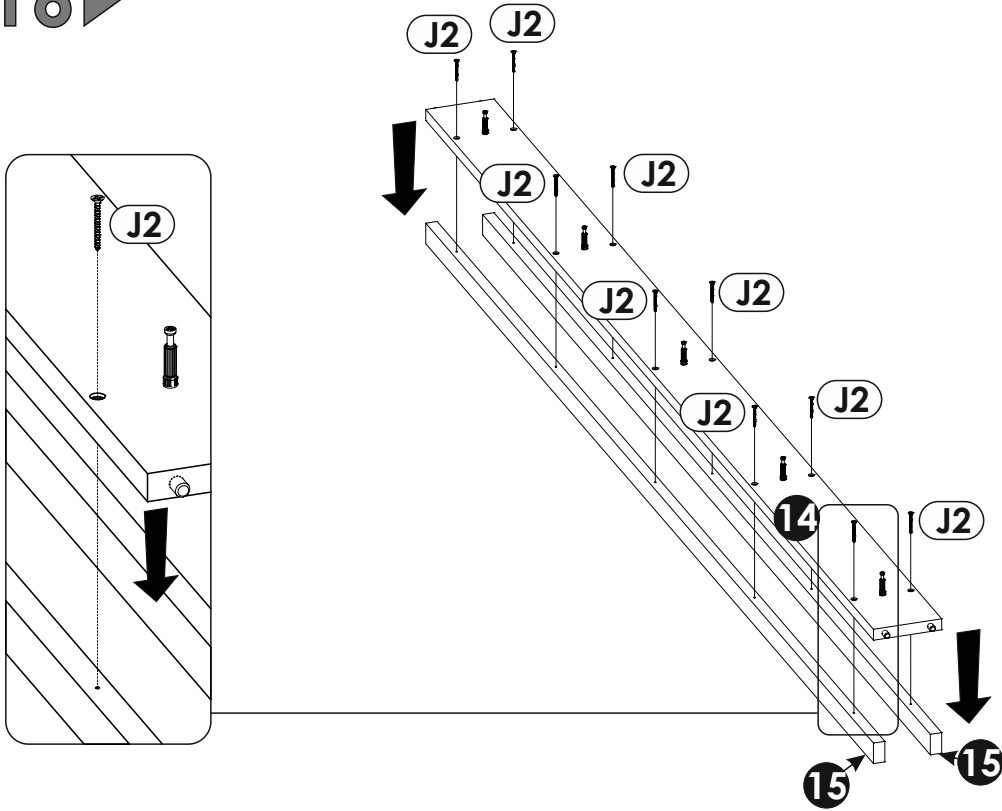
14▶



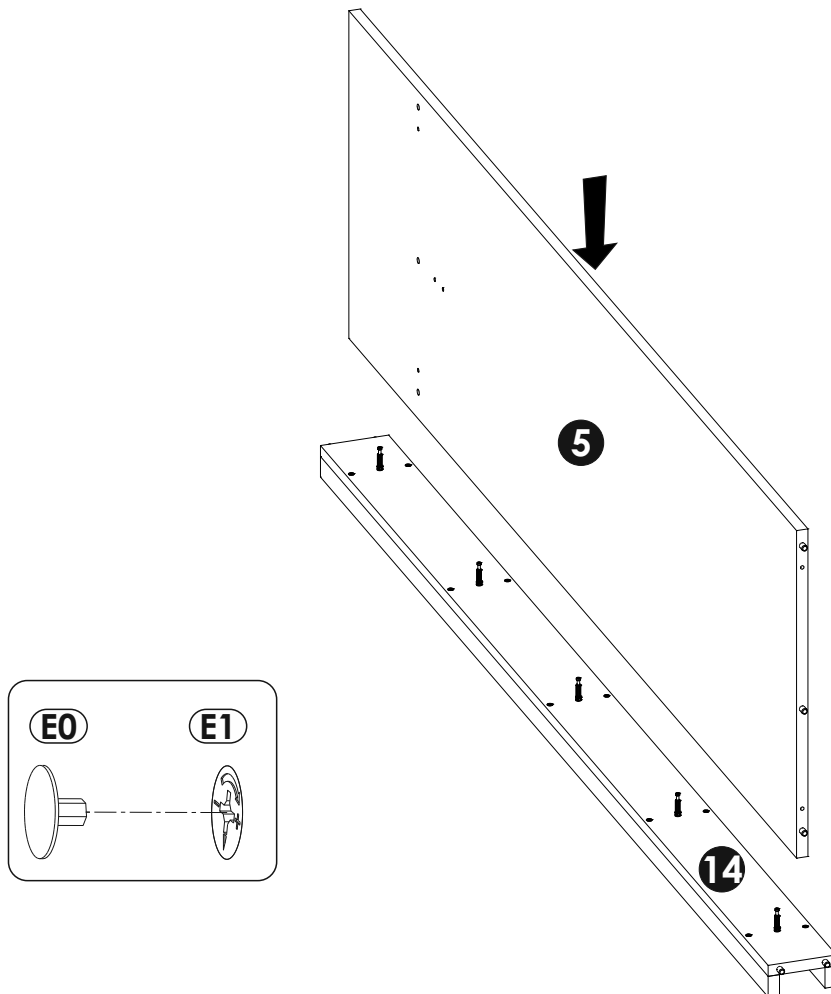
15▶



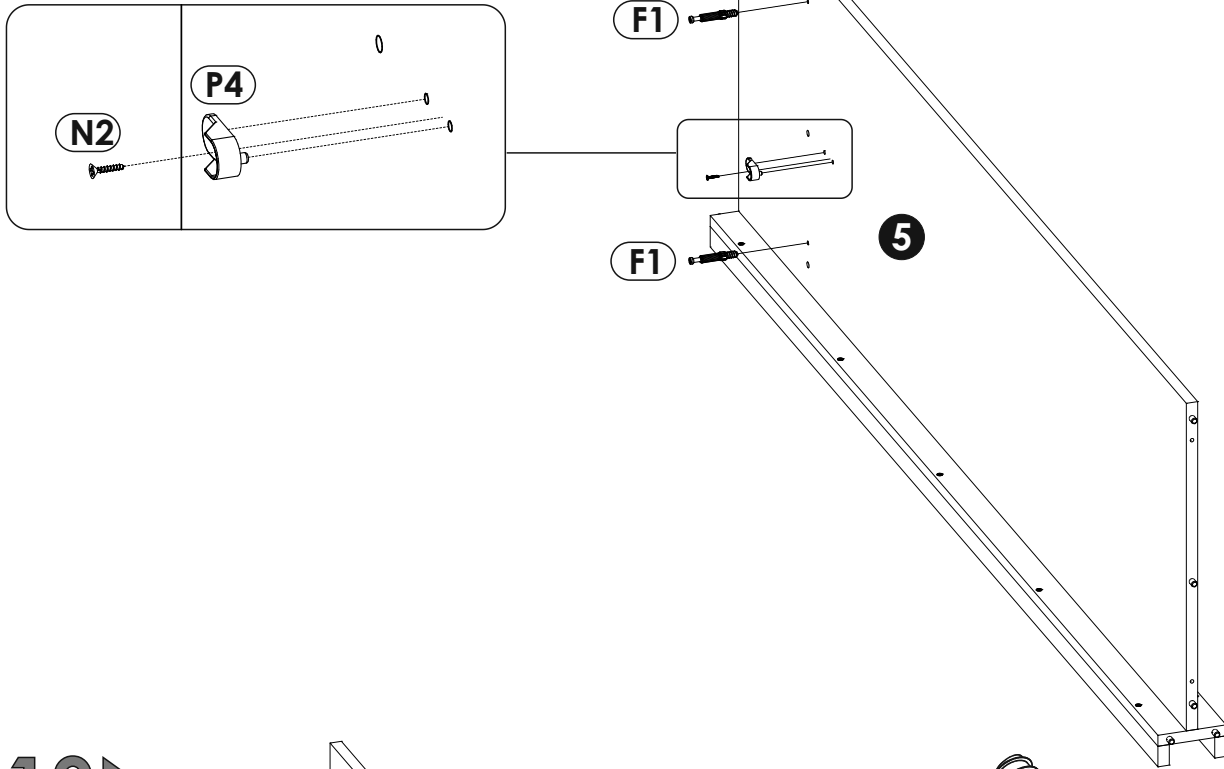
16▶



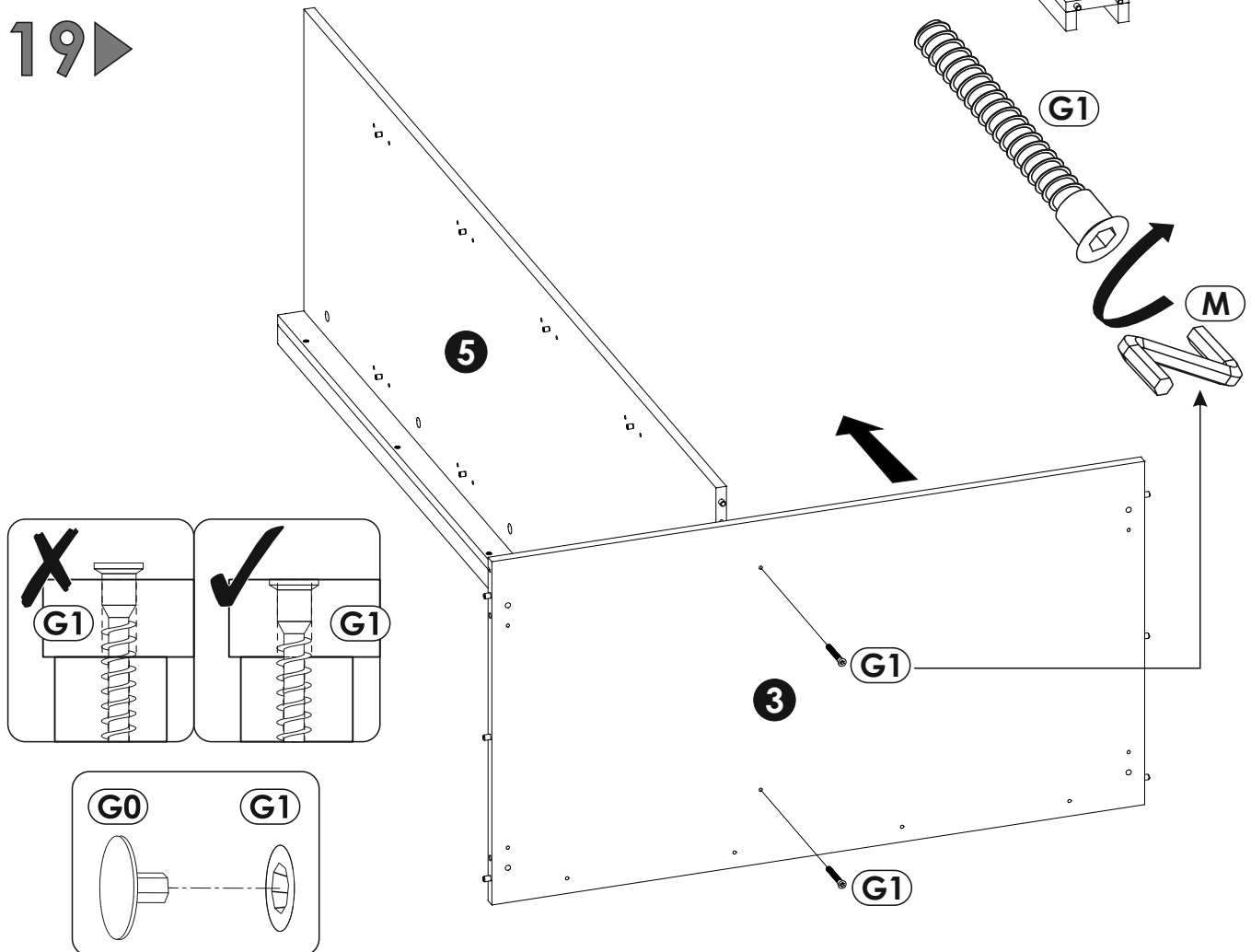
17▶



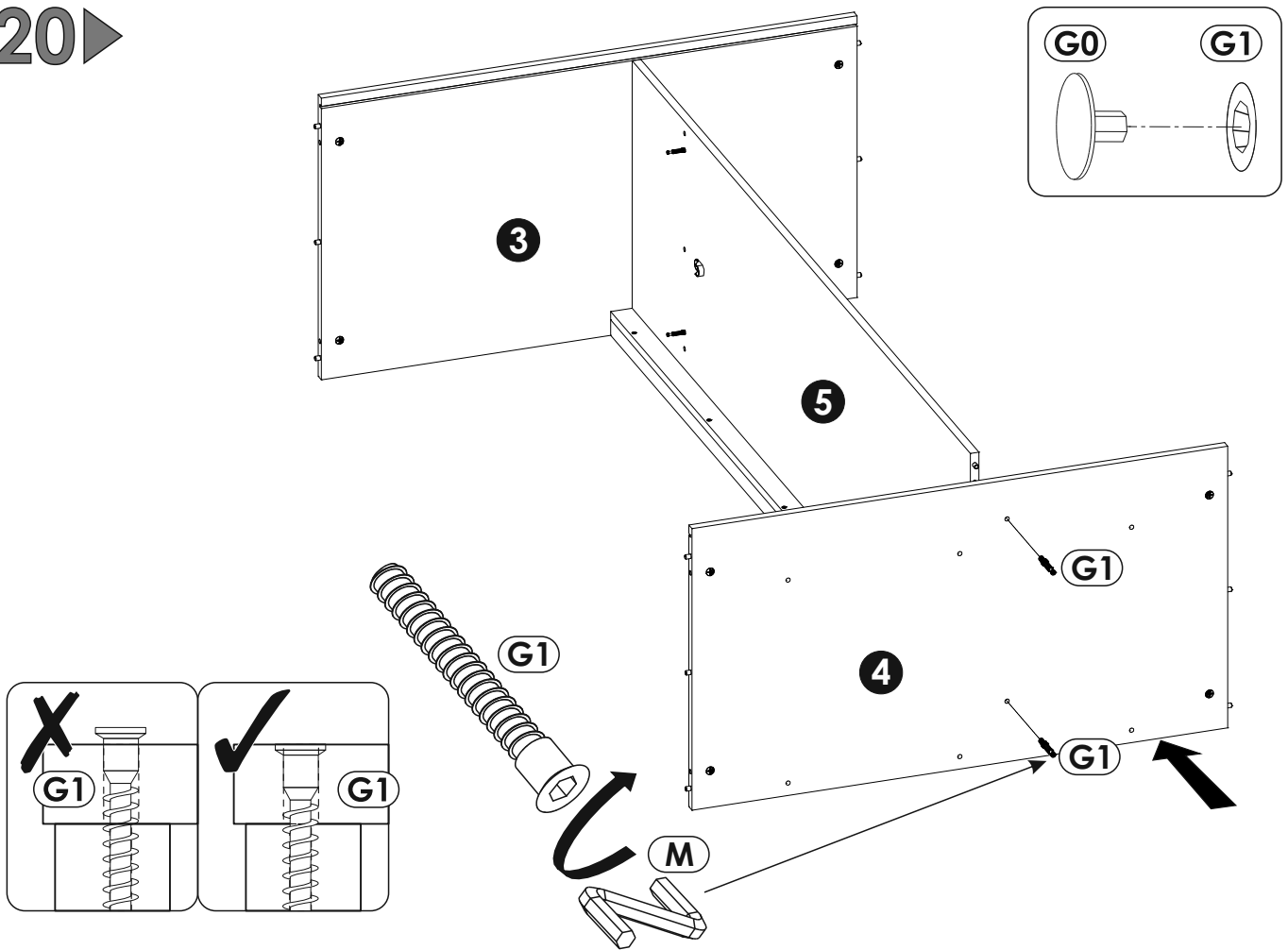
18 ▶



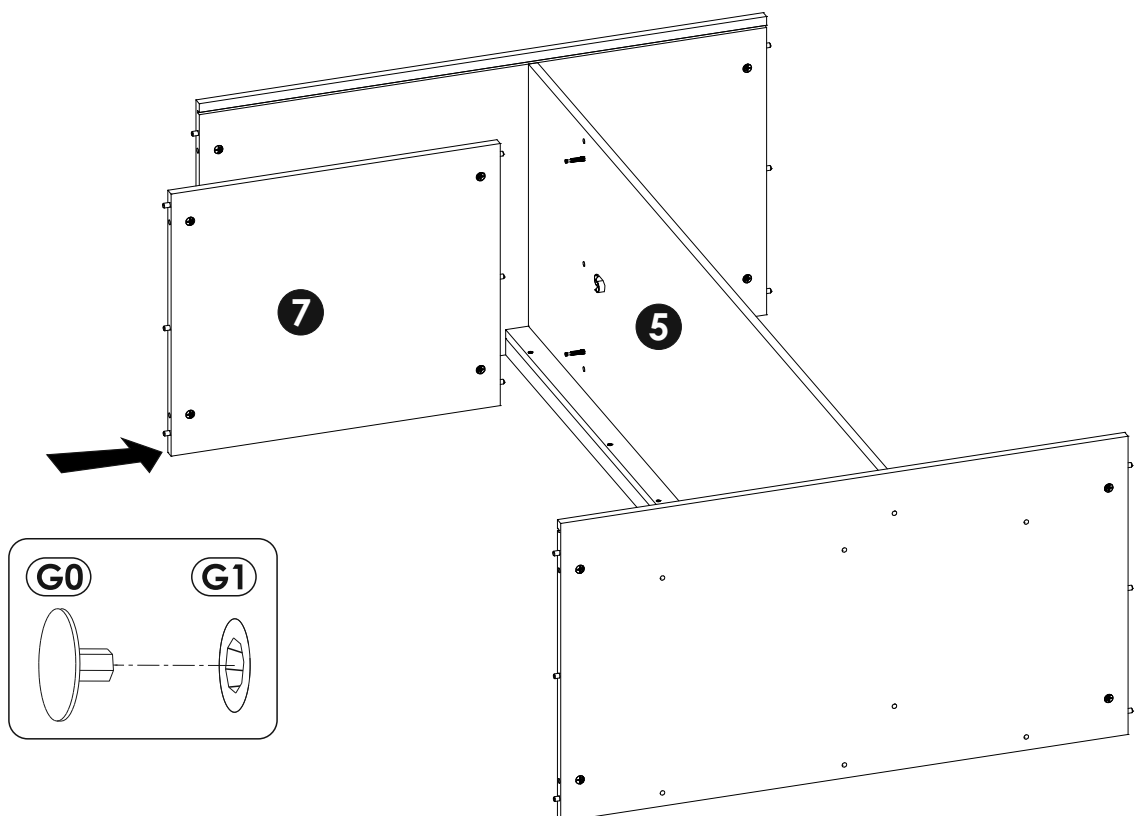
19 ▶



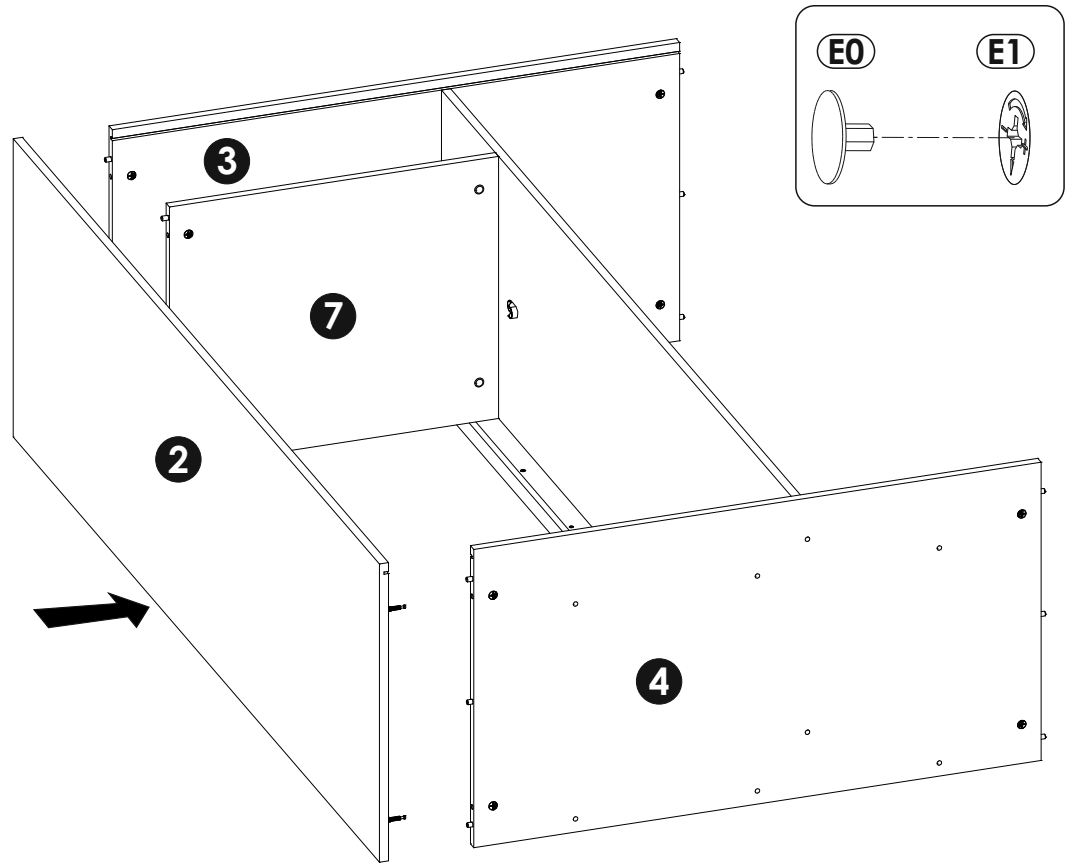
20 ▶



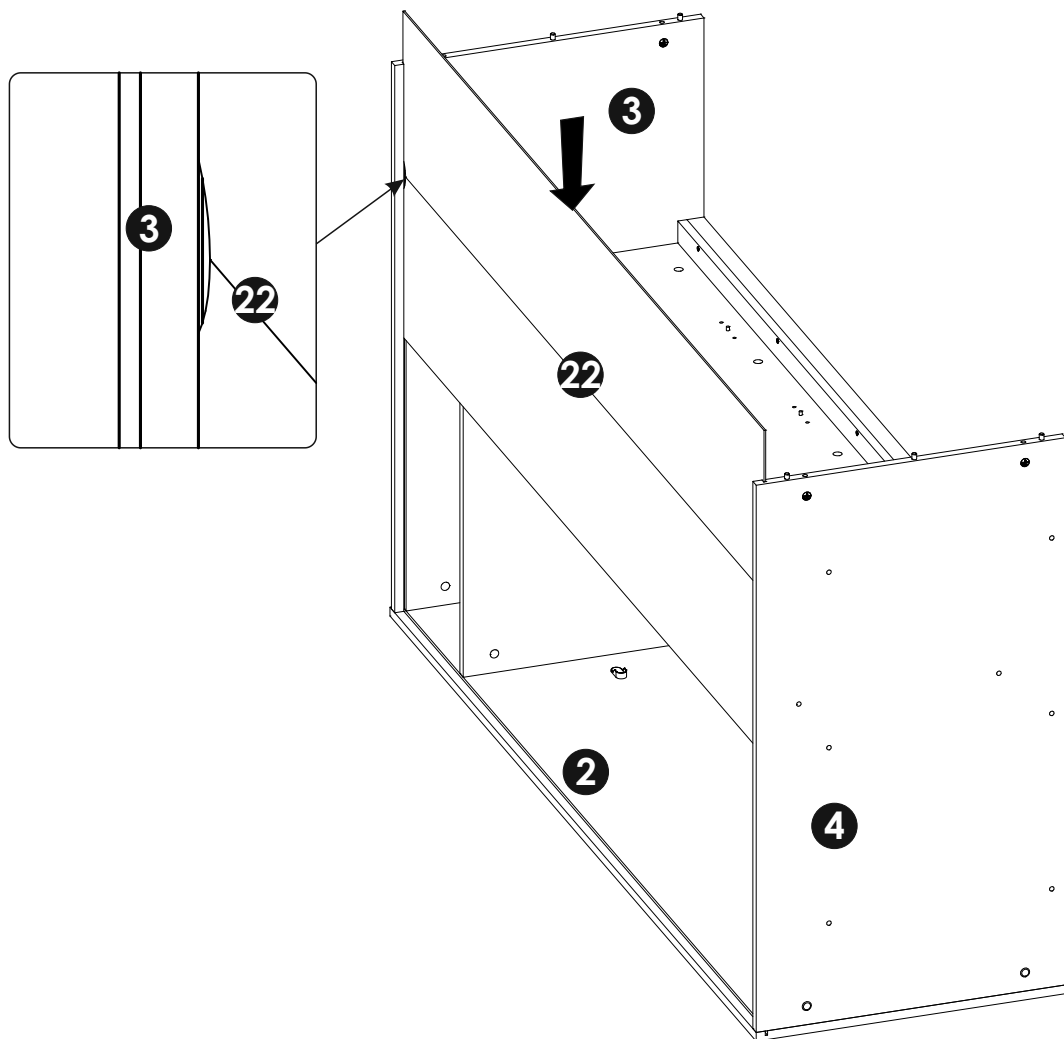
21 ▶



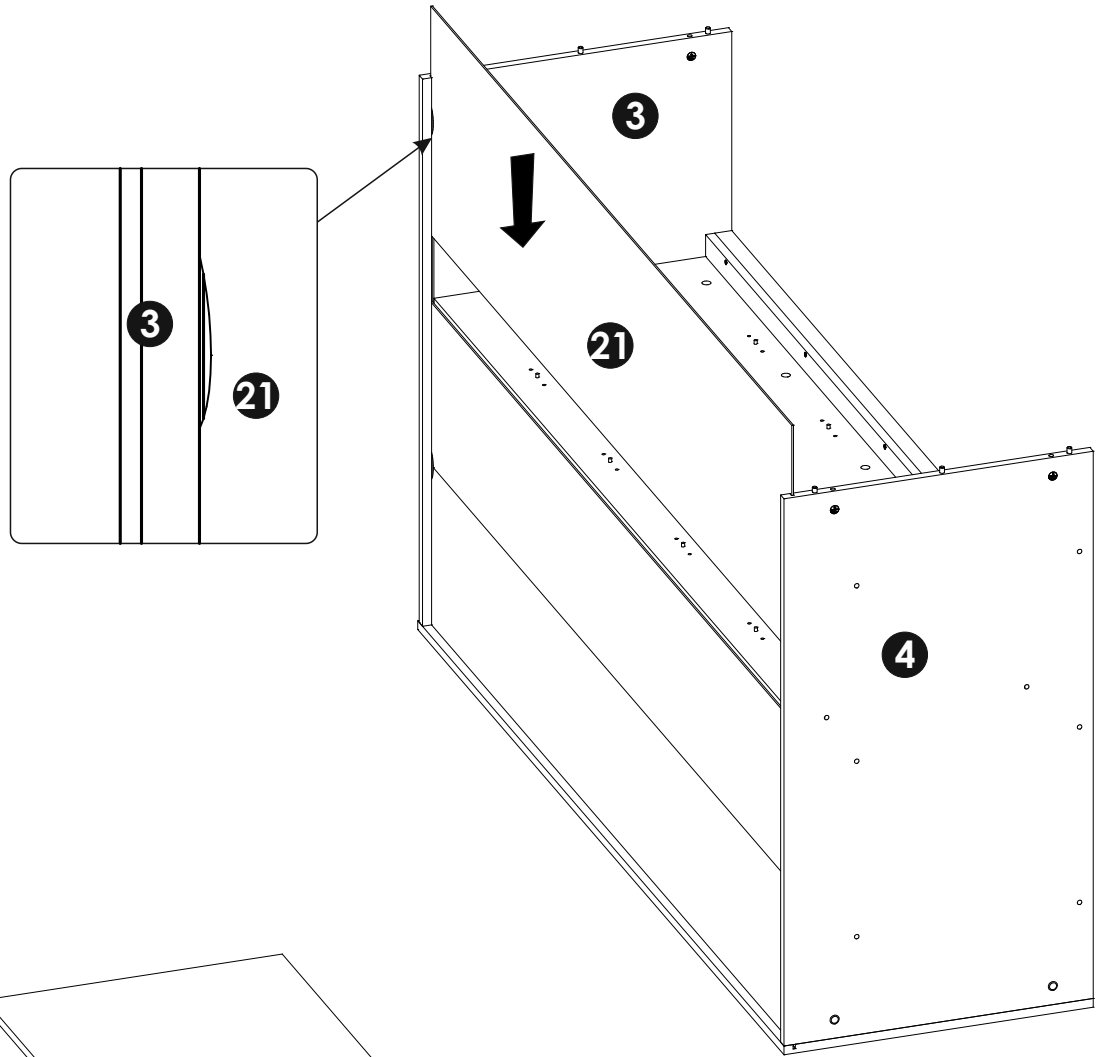
22▶



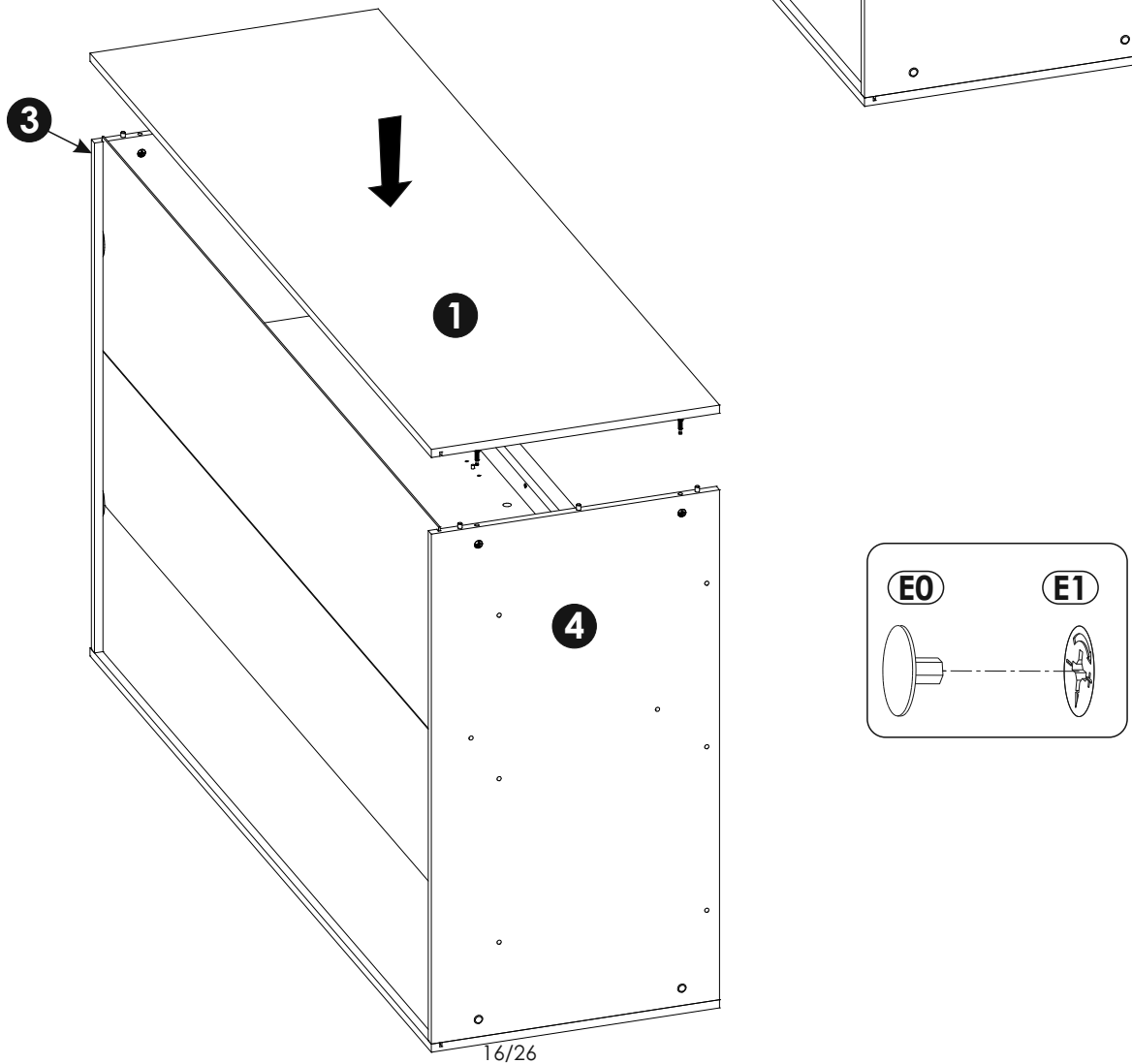
23▶



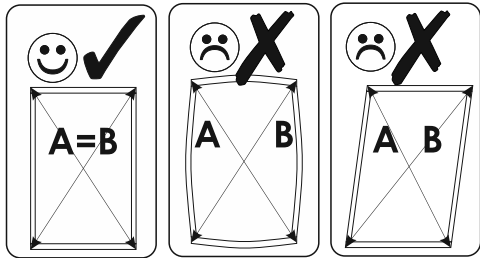
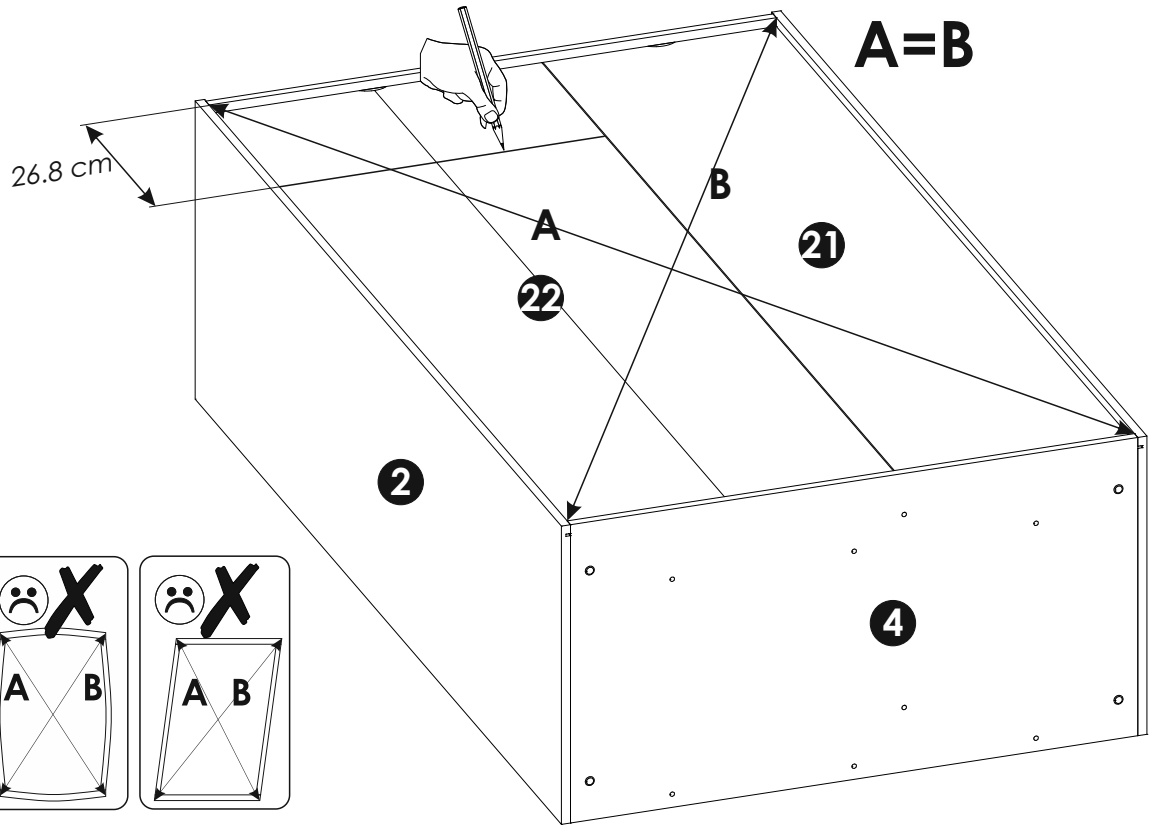
24 ▶



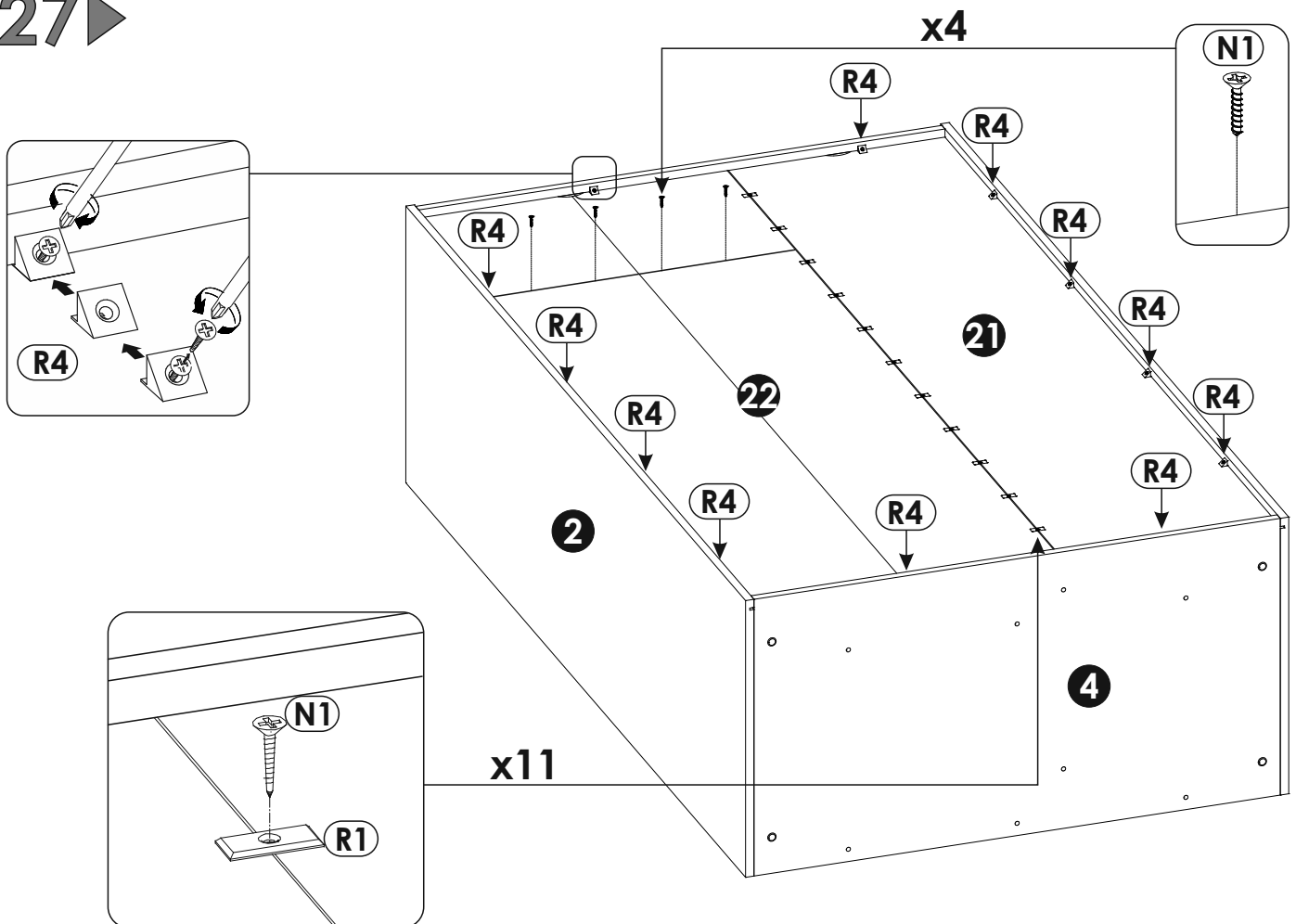
25 ▶



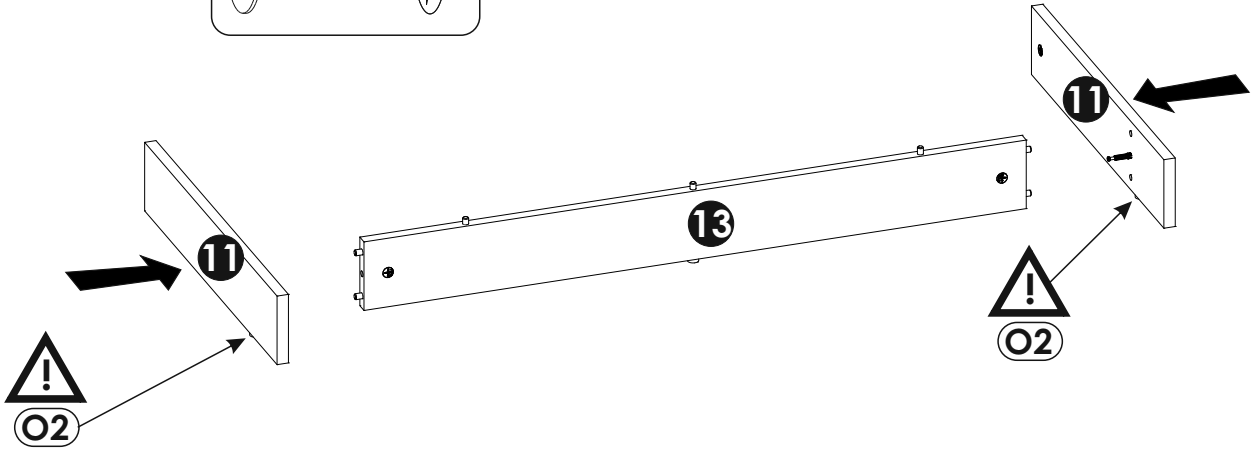
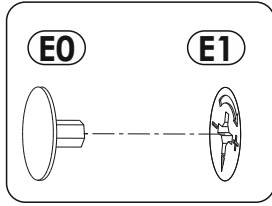
26▶



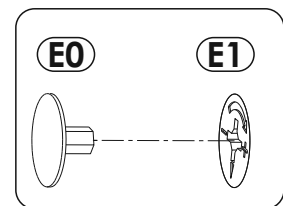
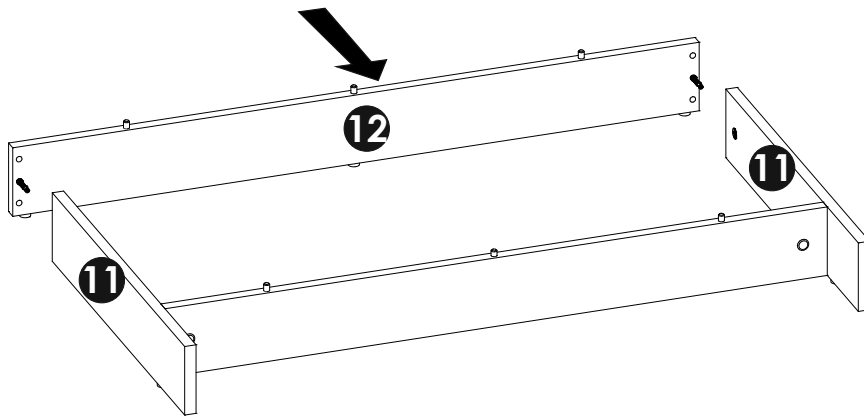
27▶



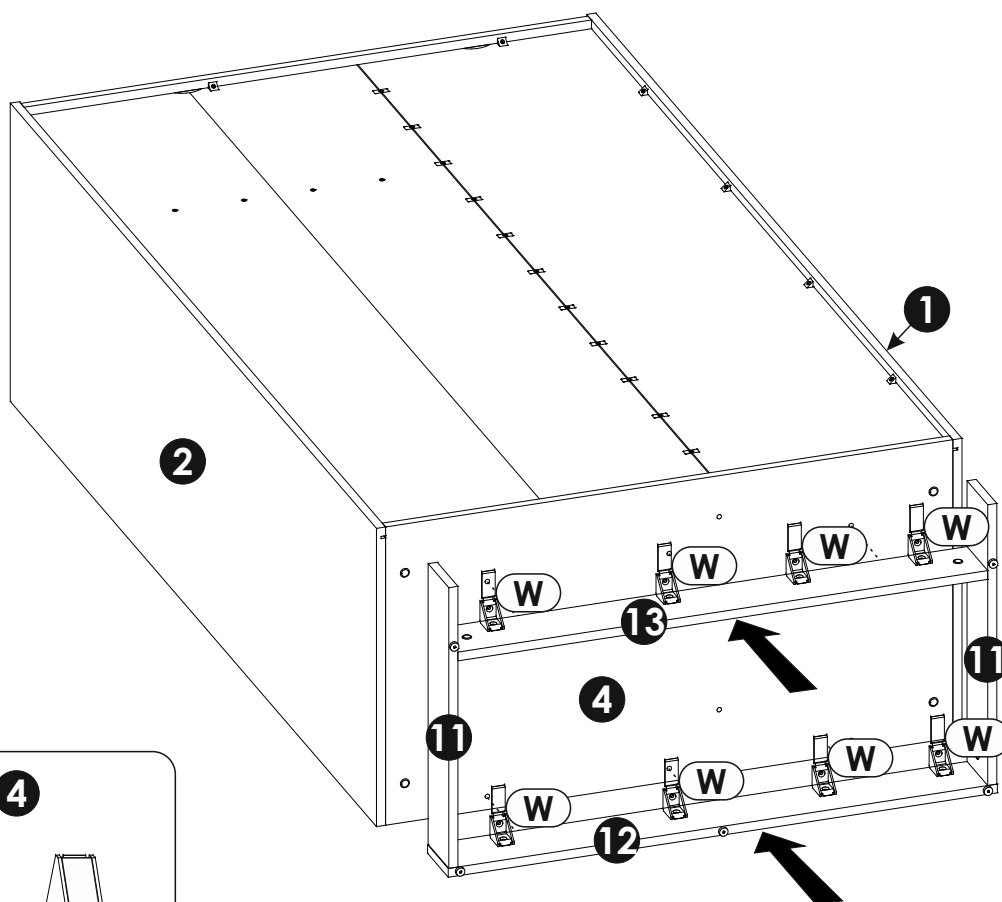
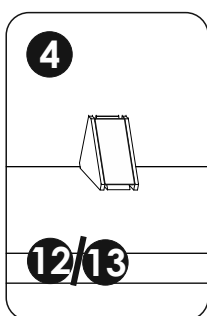
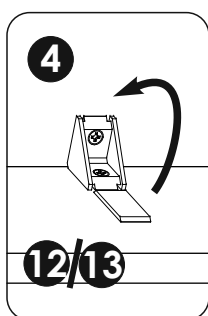
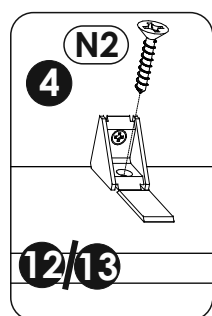
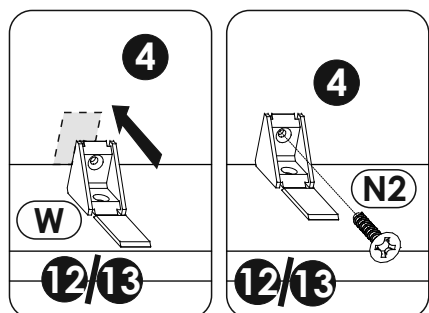
28 ▶



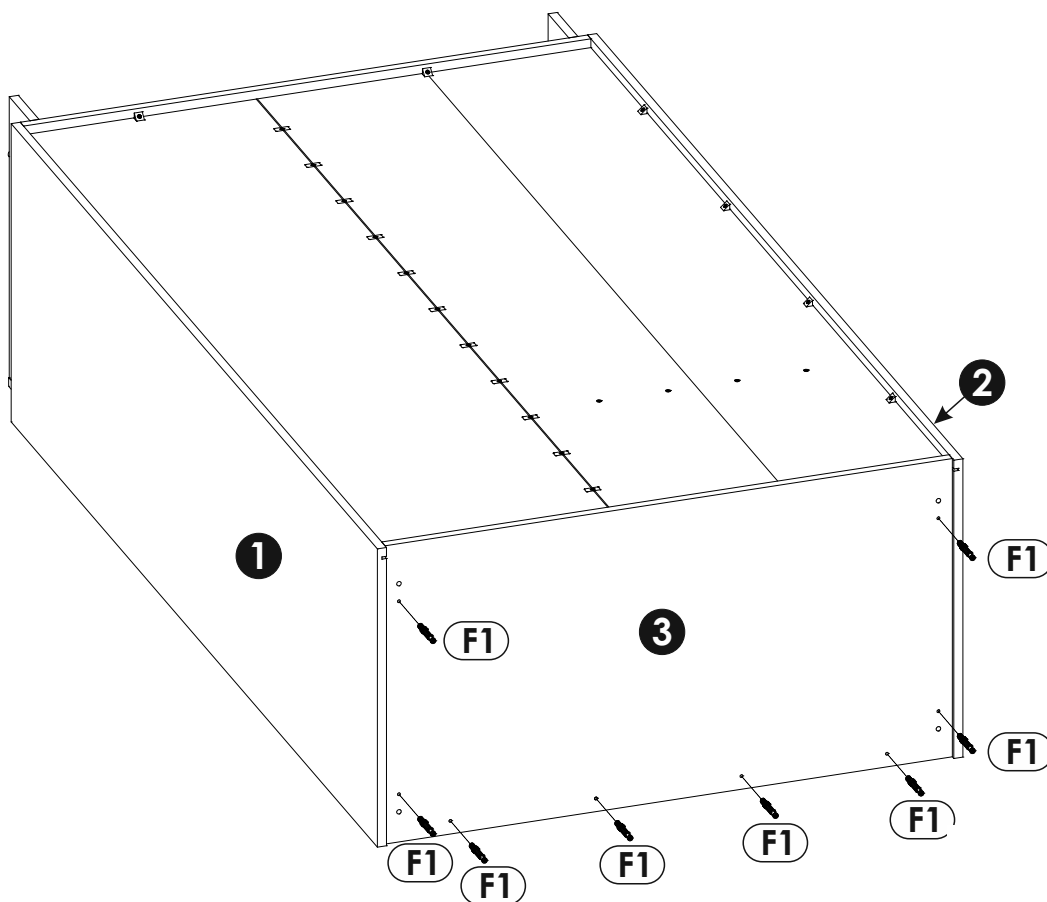
29 ▶



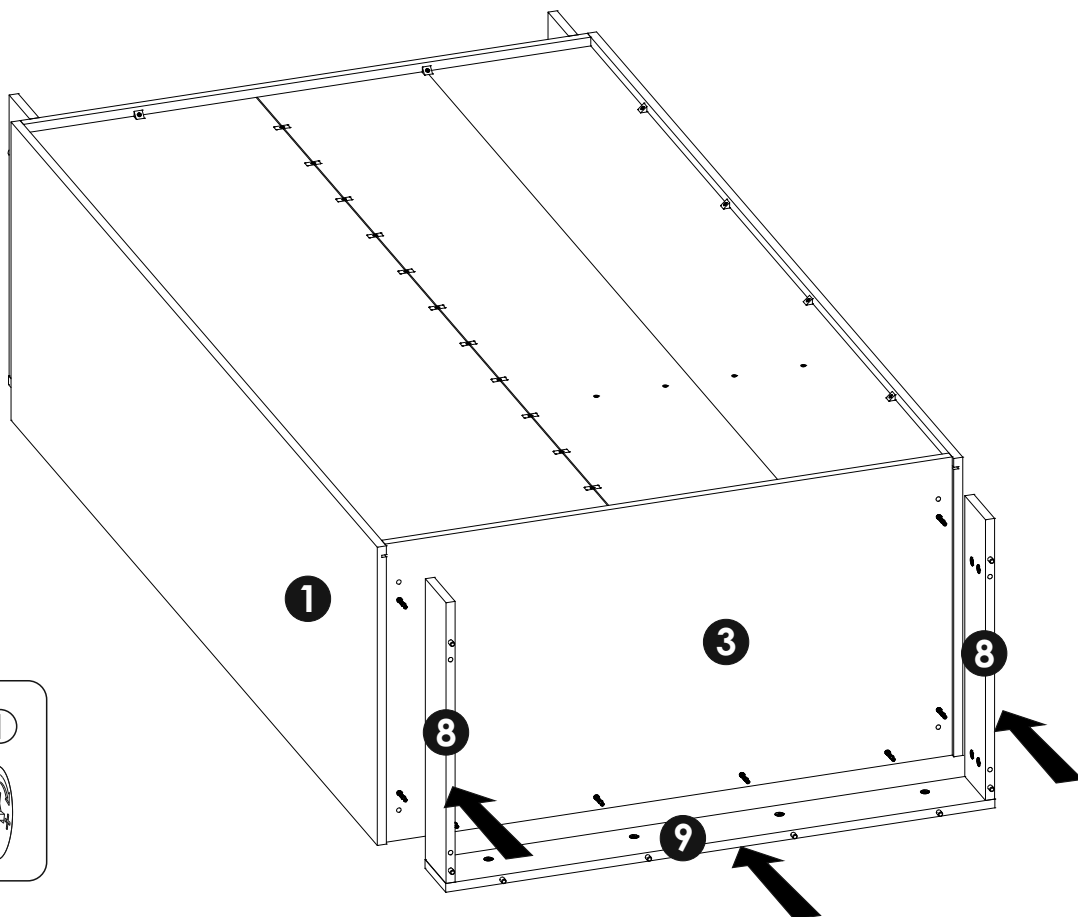
30 ▶



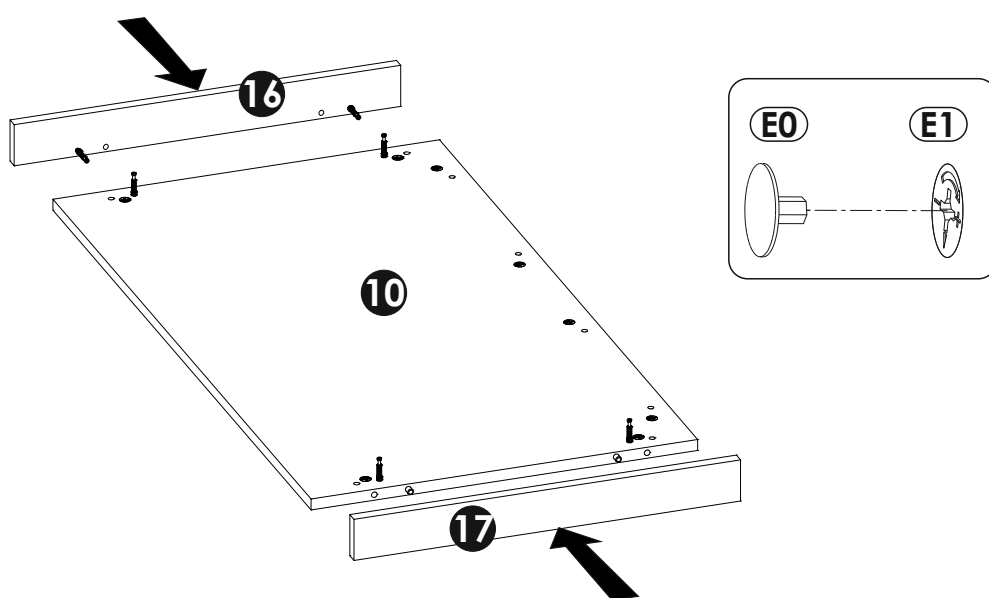
31 ▶



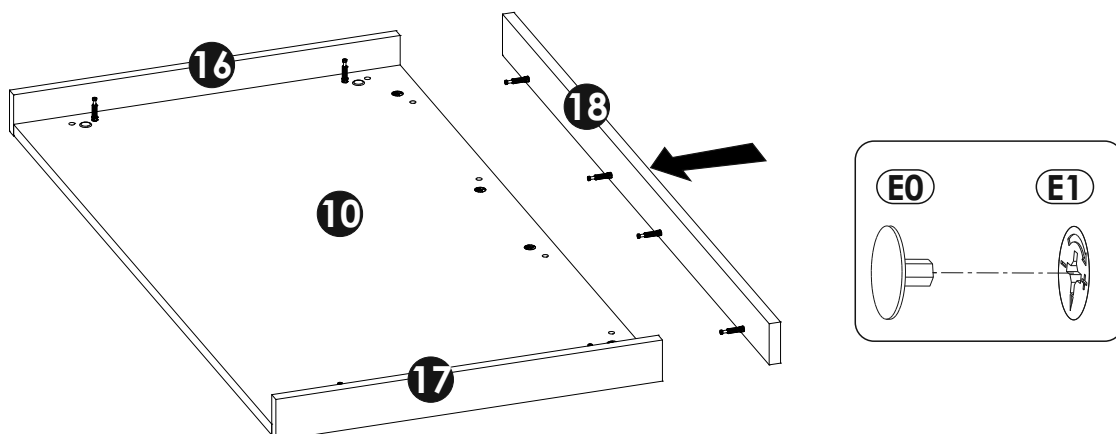
32 ▶



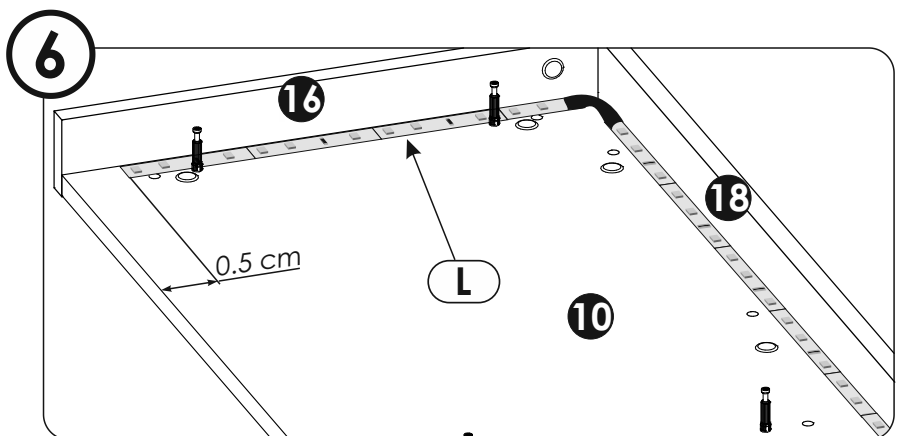
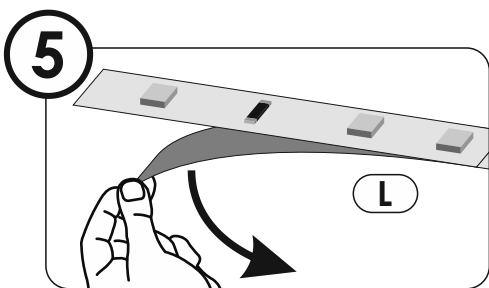
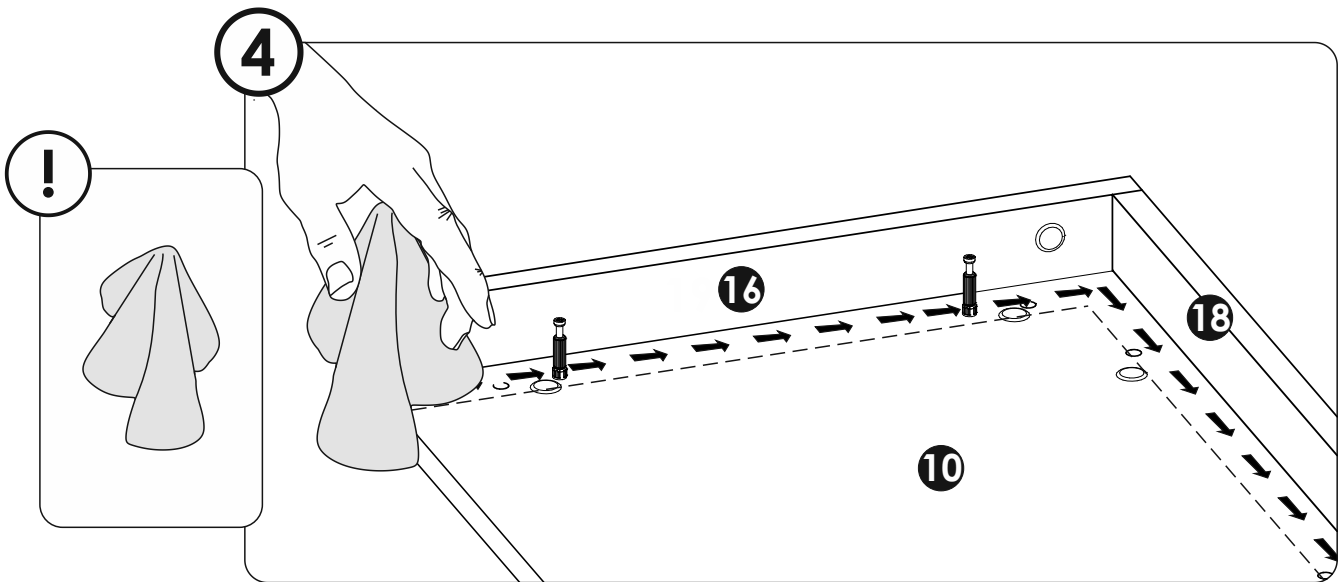
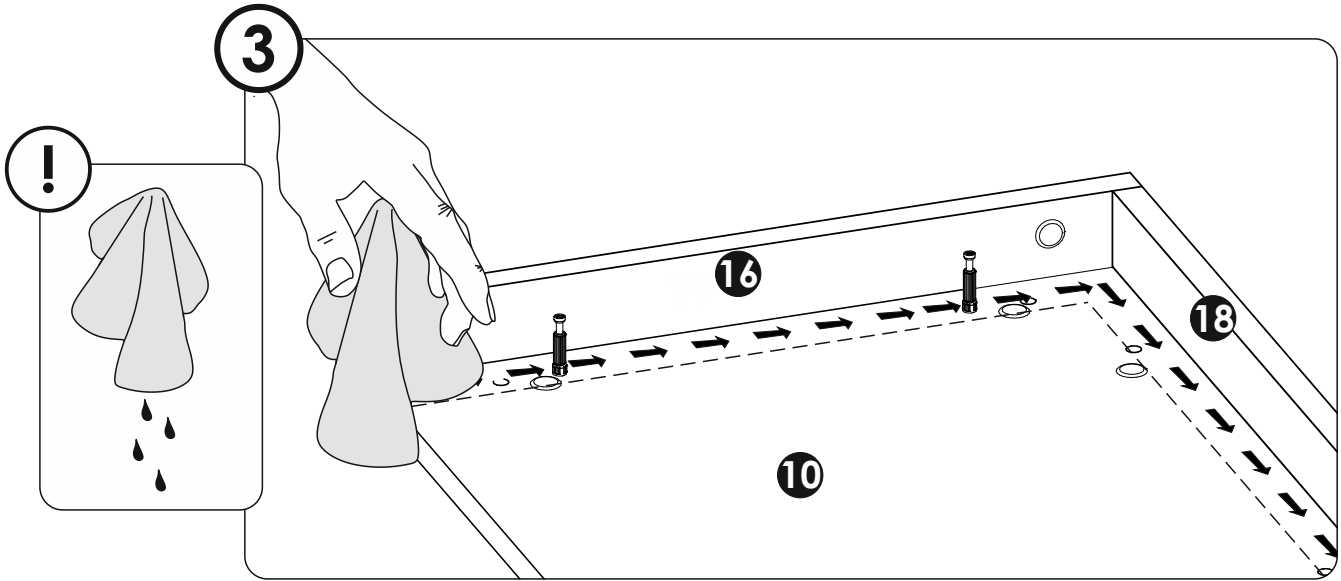
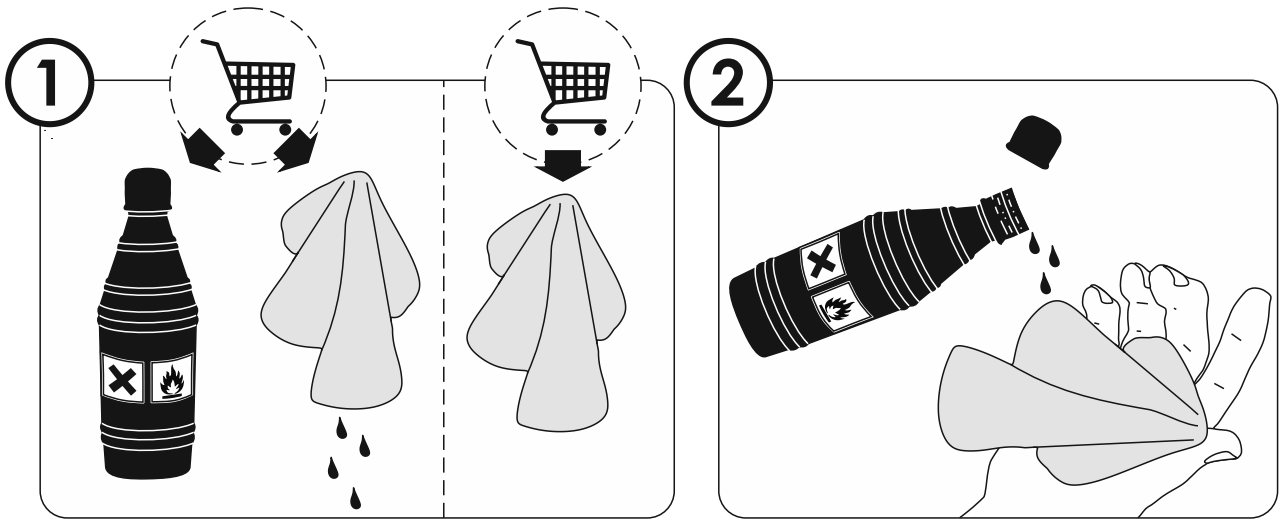
33 ▶

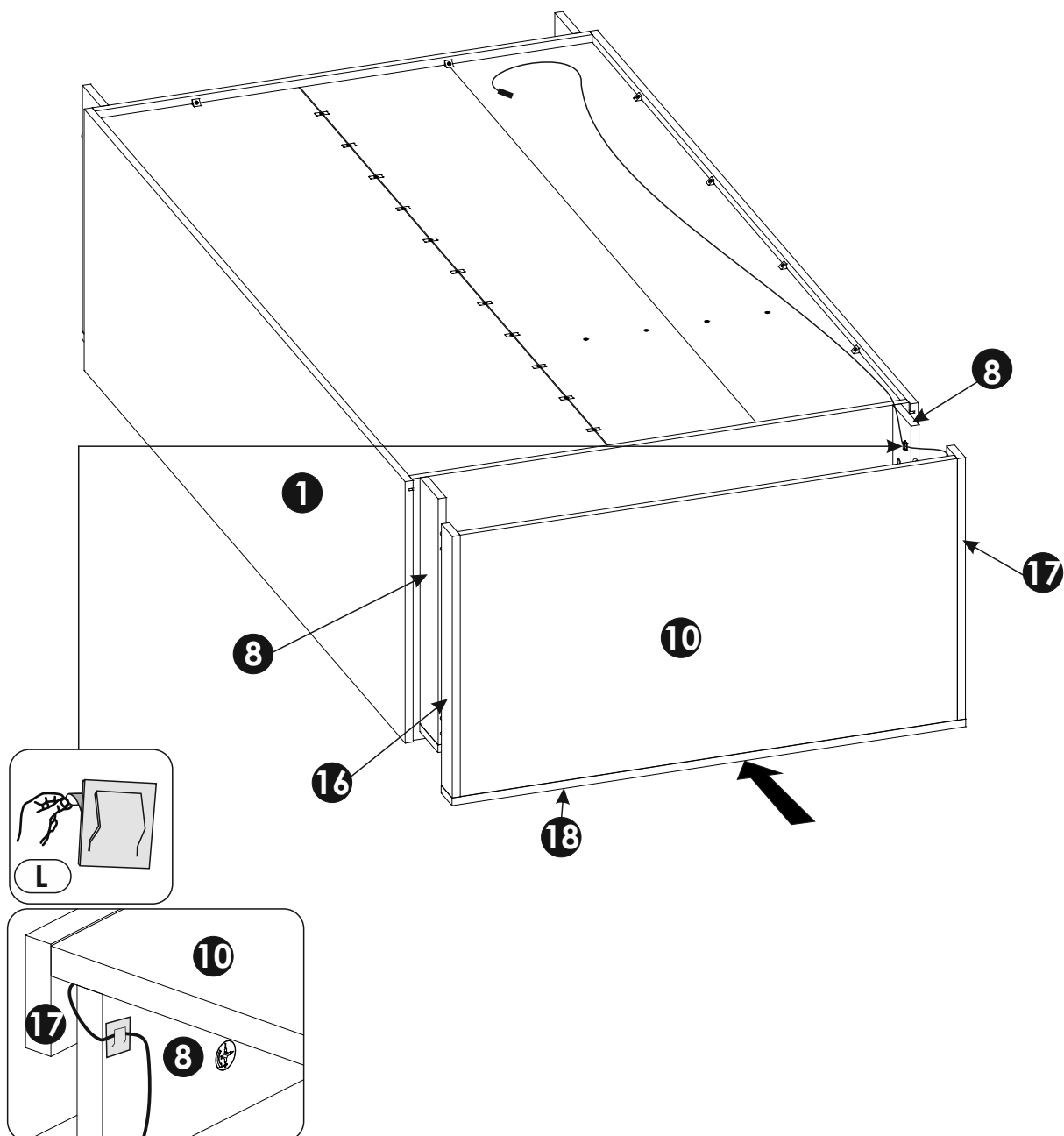


34 ▶

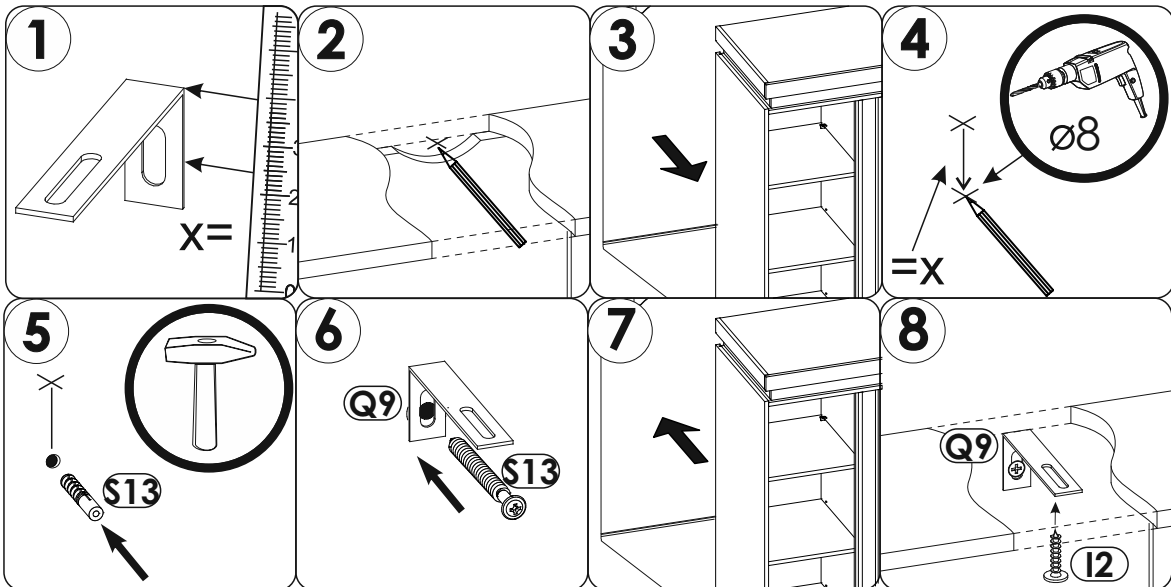
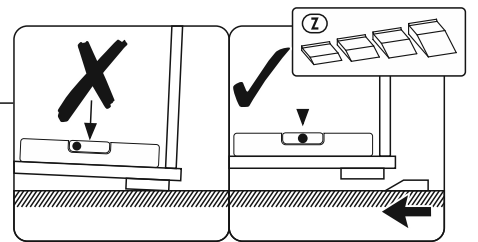
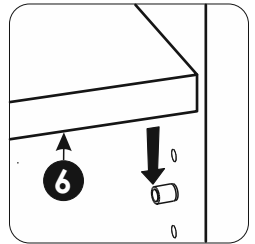
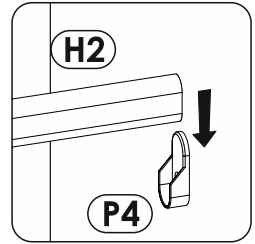
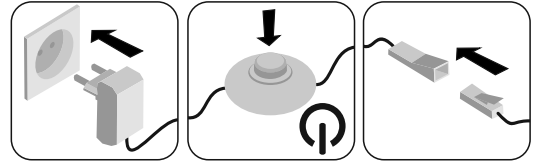
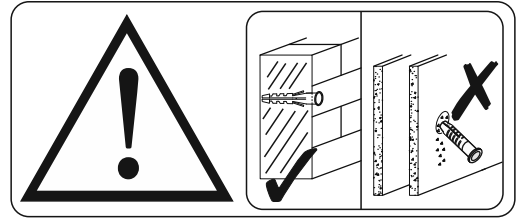
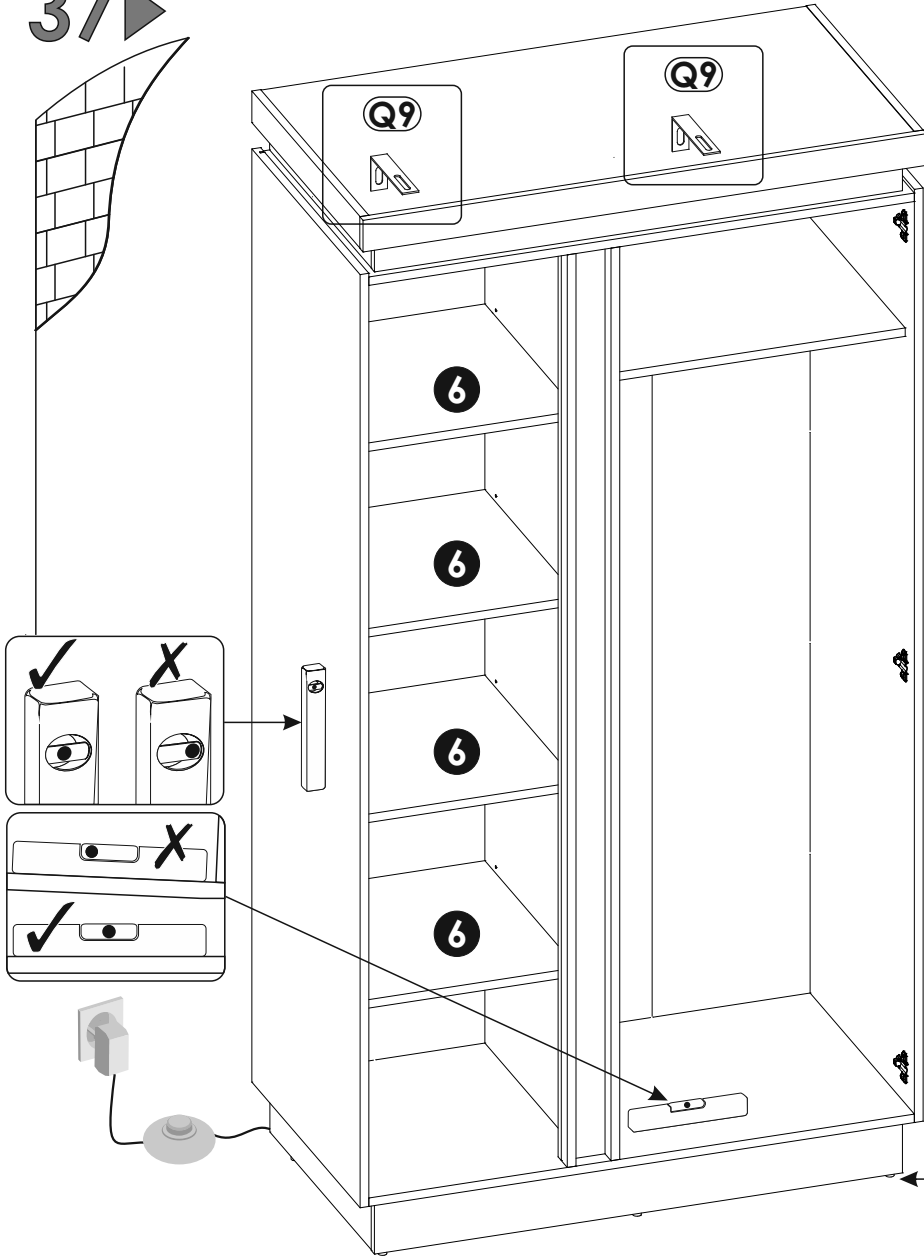


35 ▶

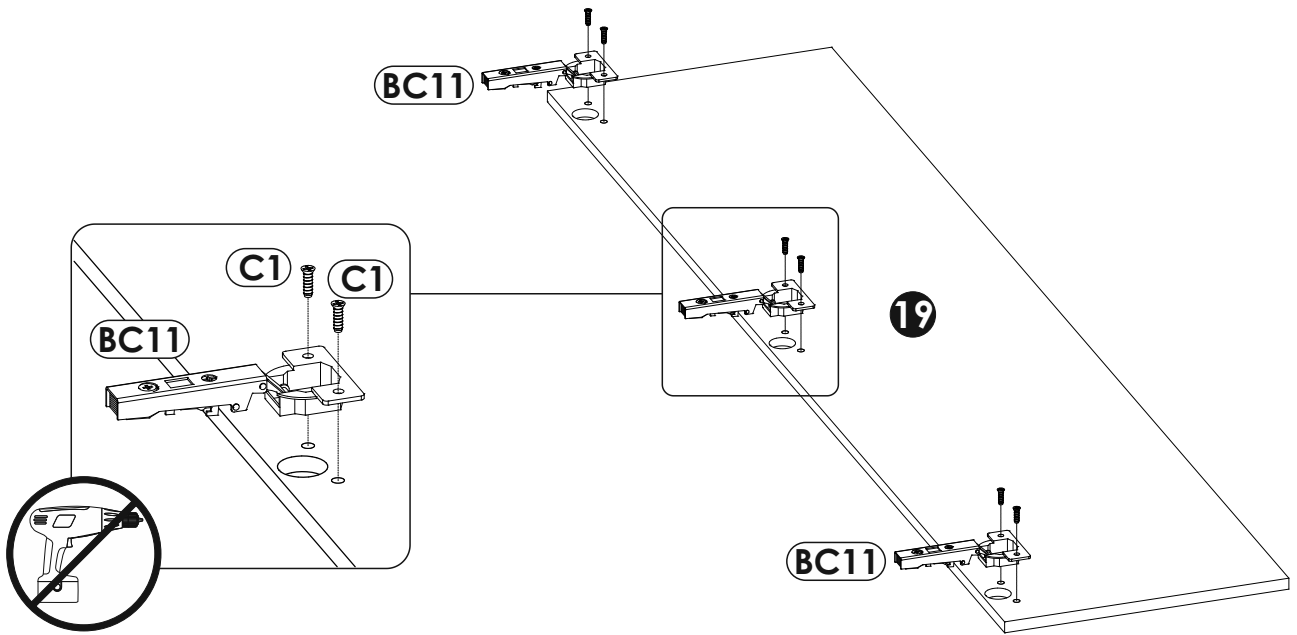




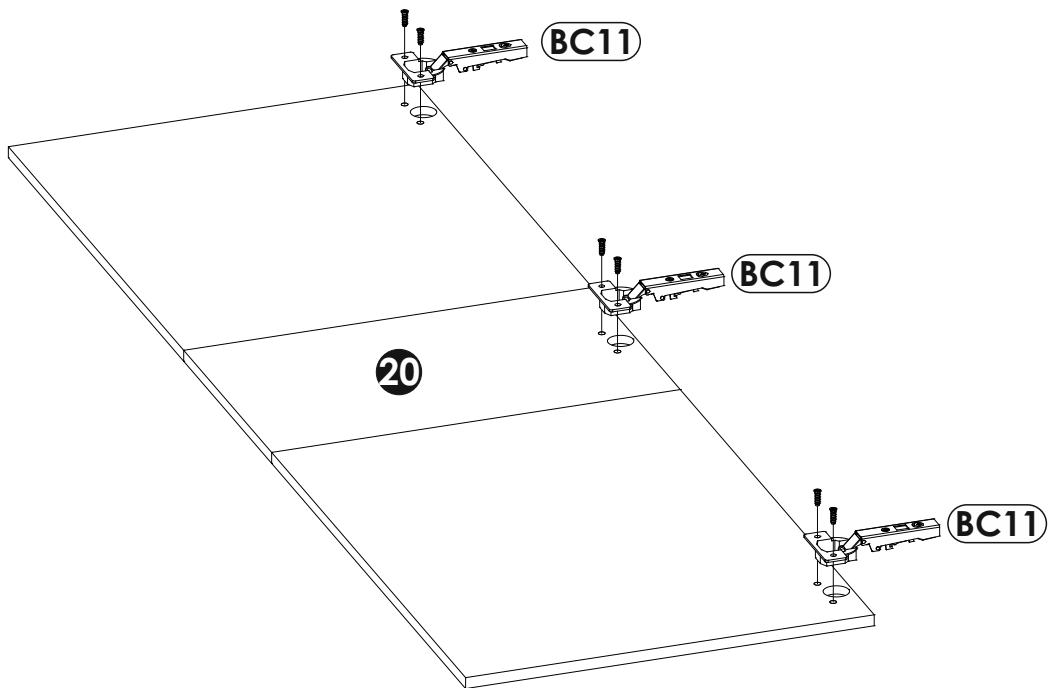
37 ▶

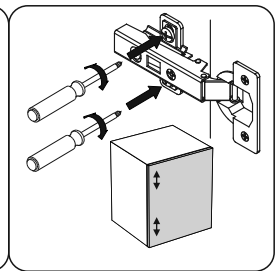
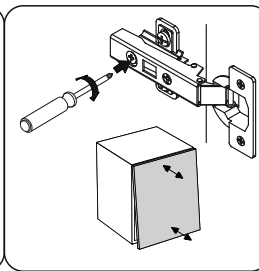
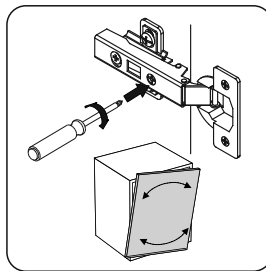
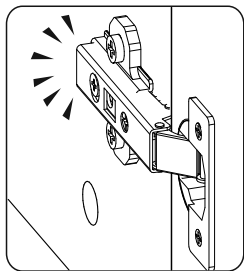
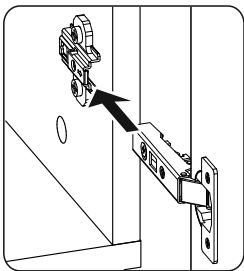
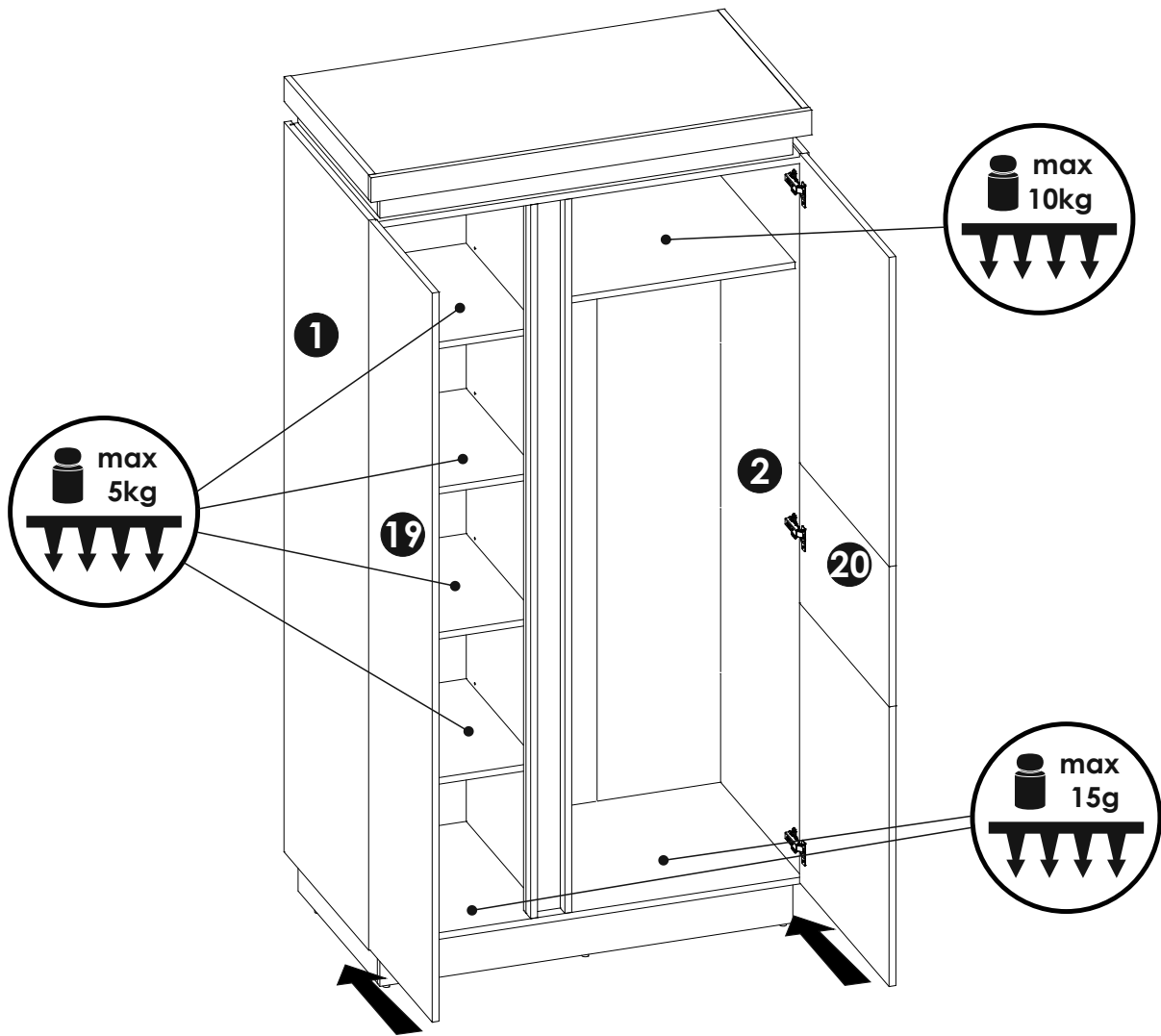


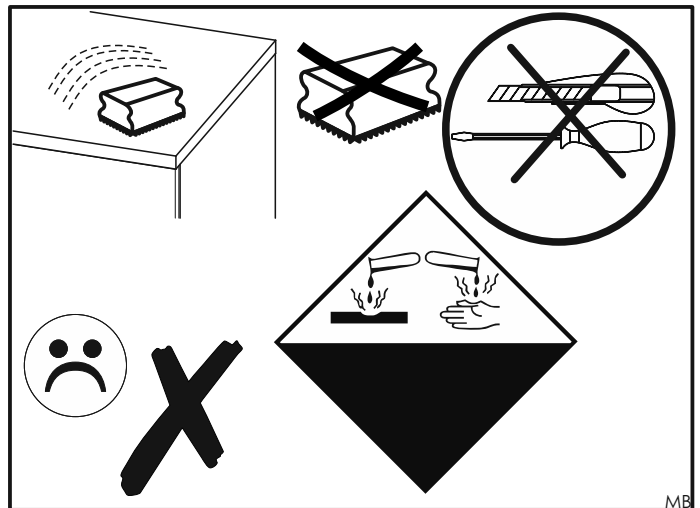
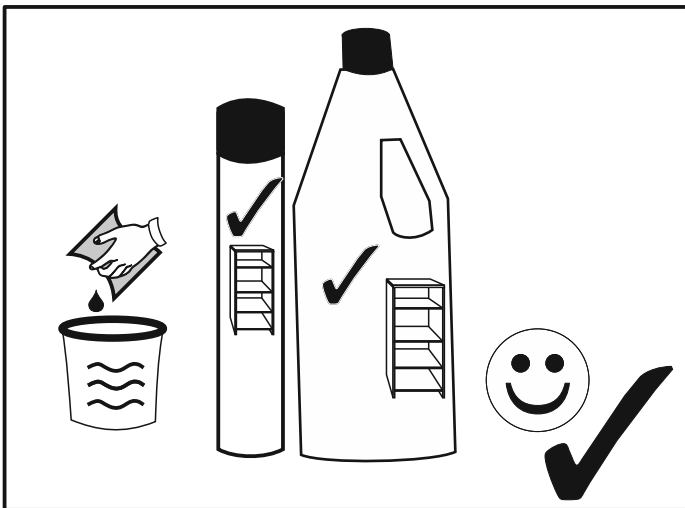
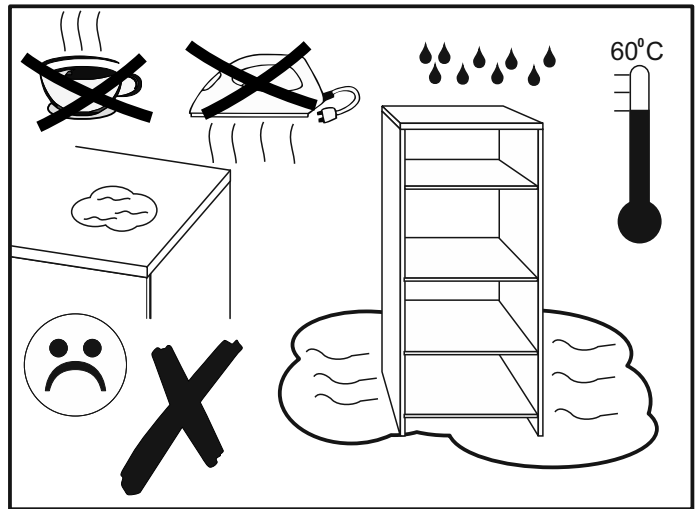
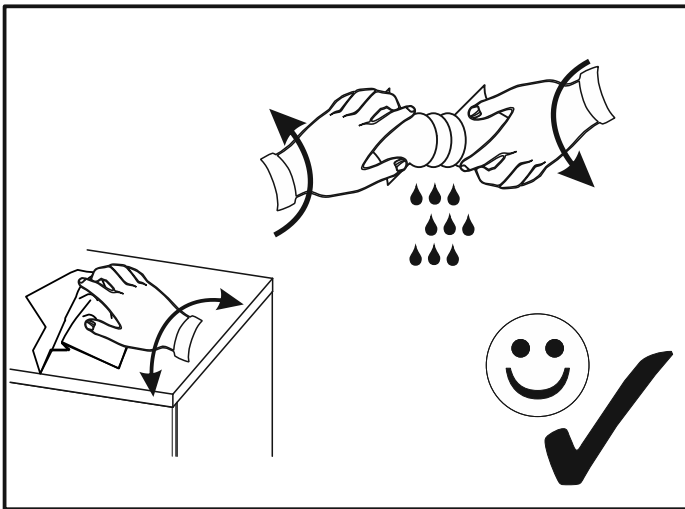
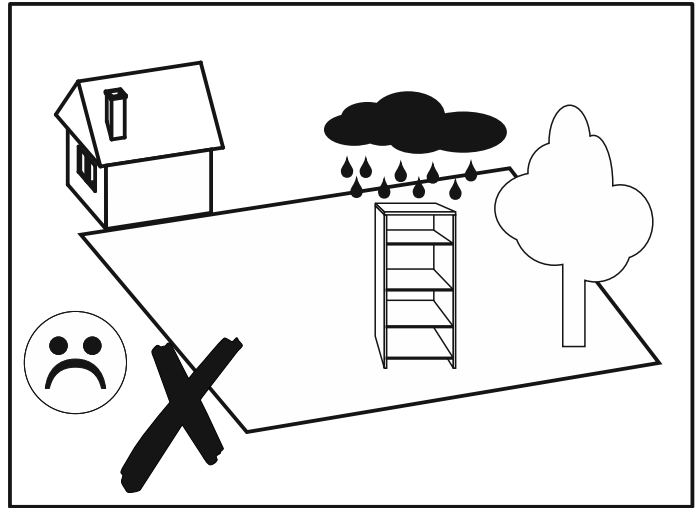
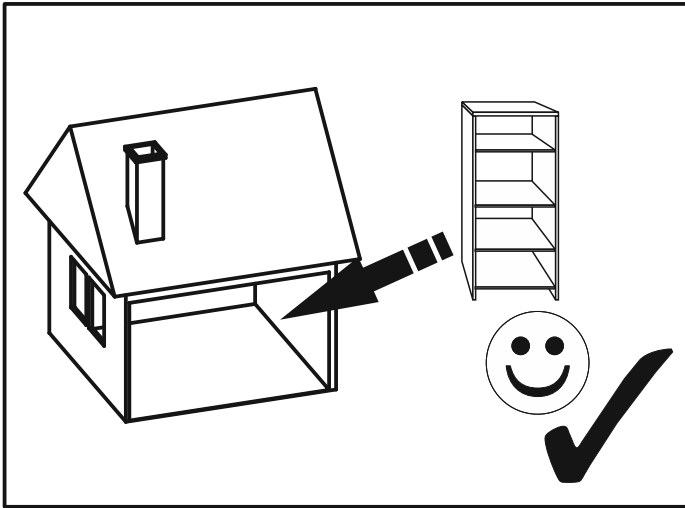
38 ▶

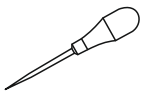
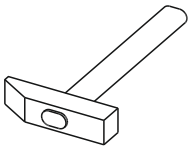
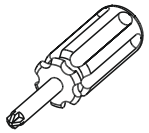
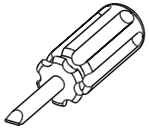
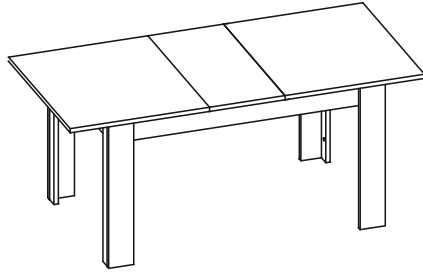
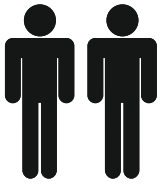


39 ▶





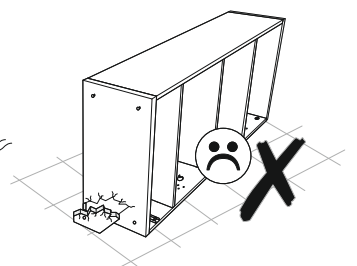
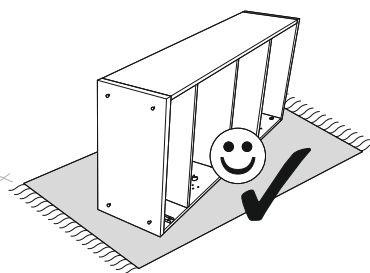
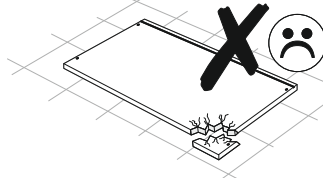
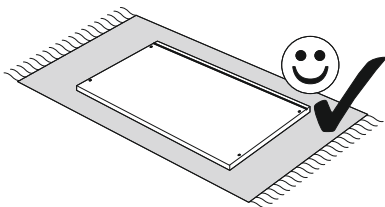


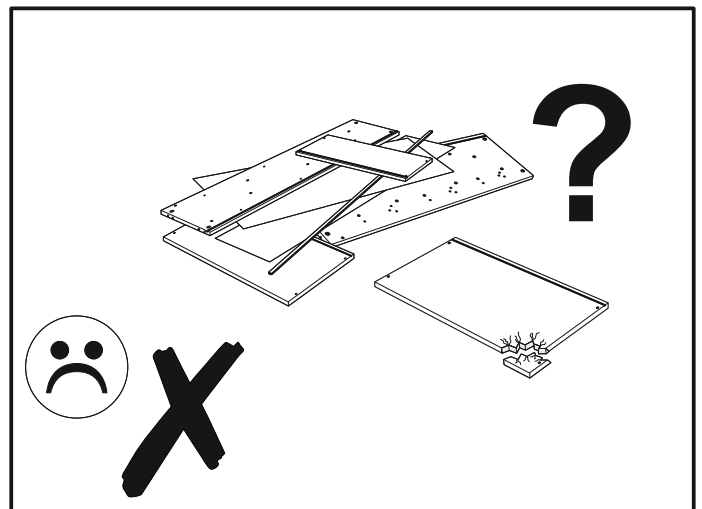
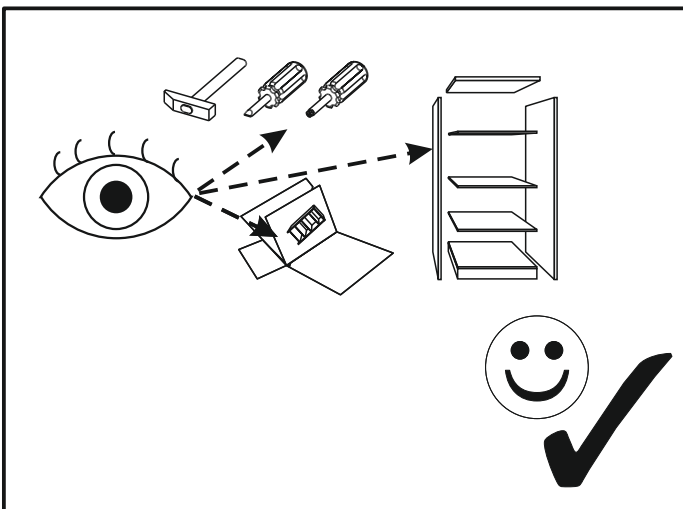
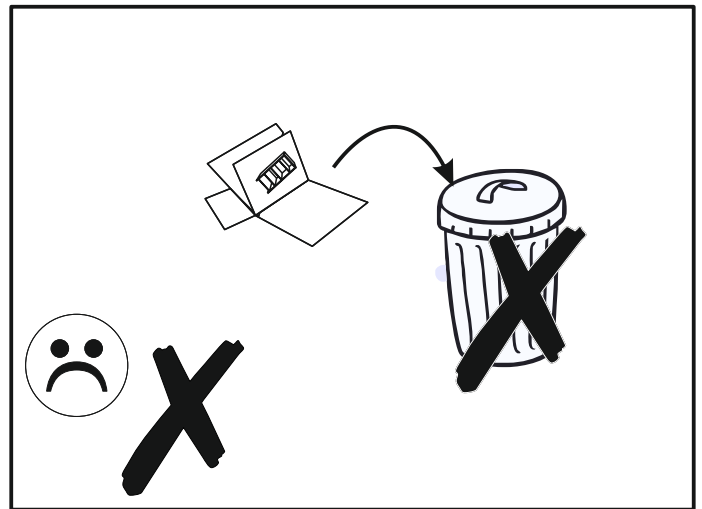
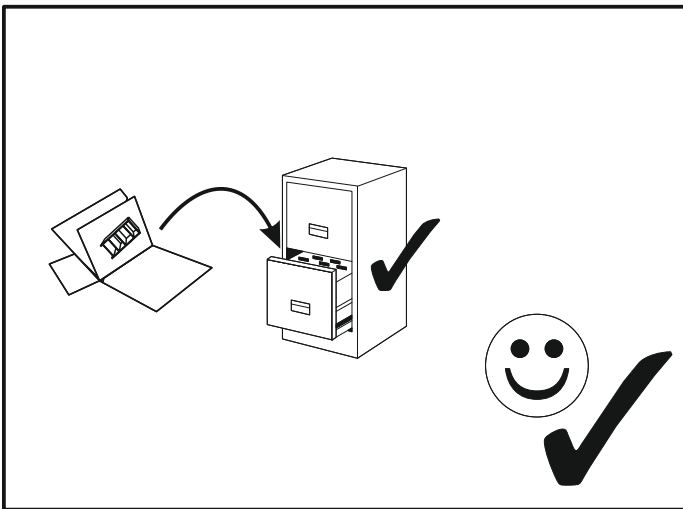
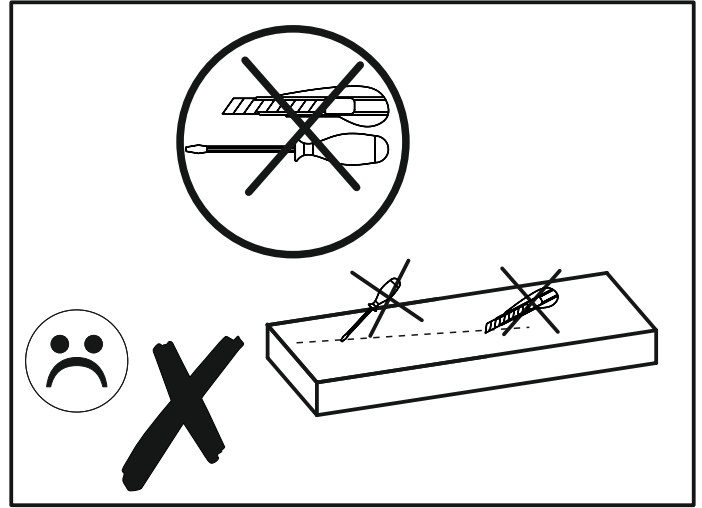
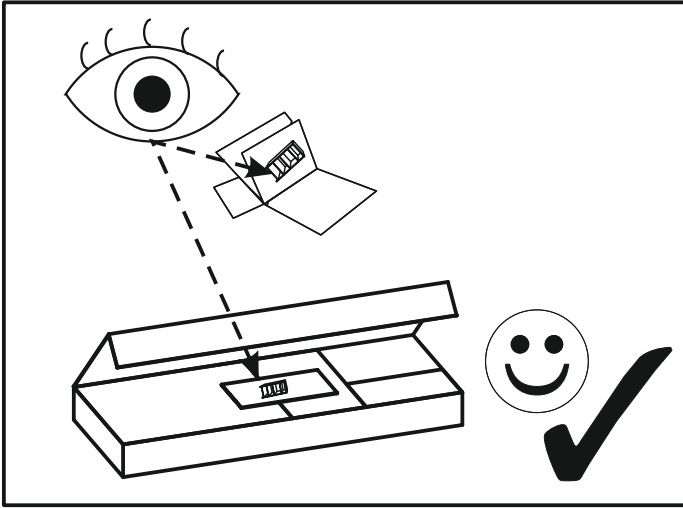


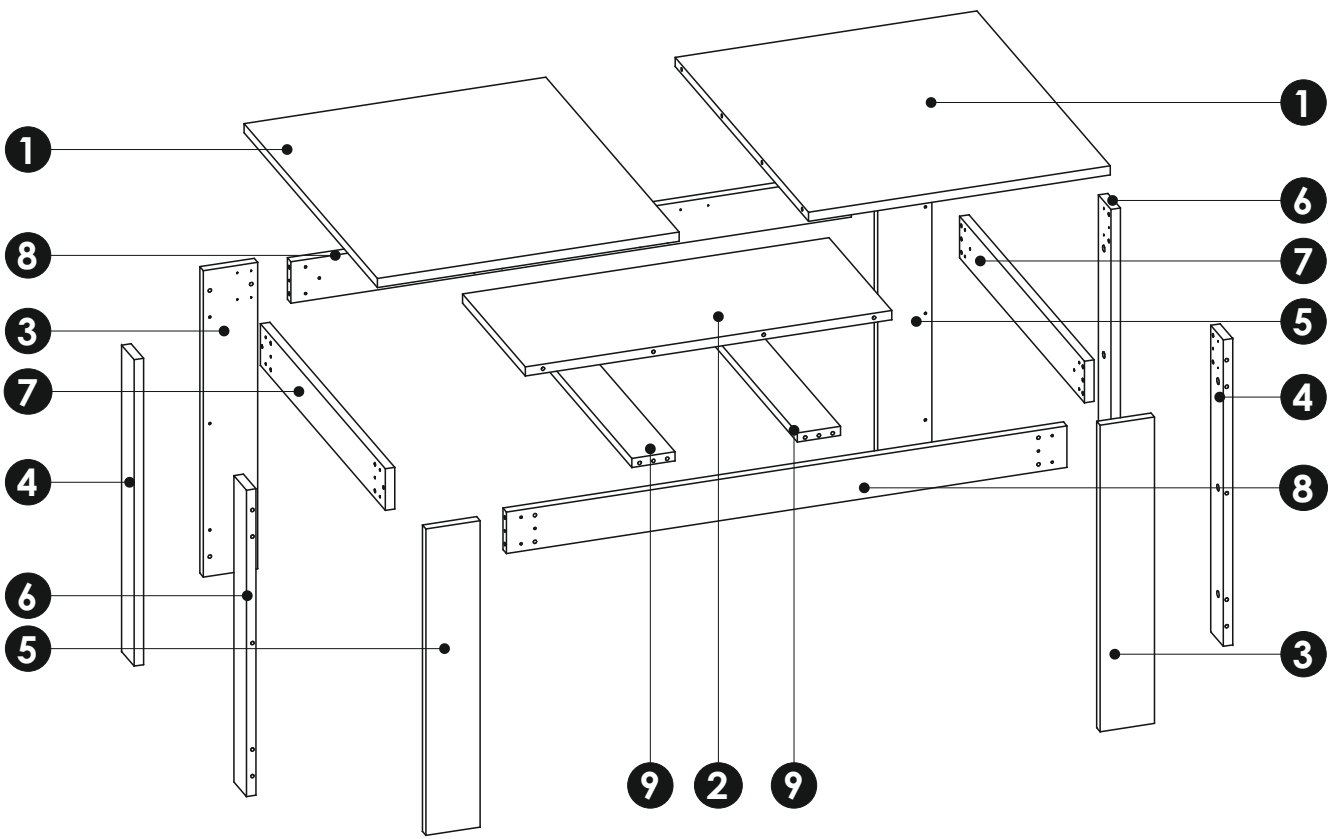
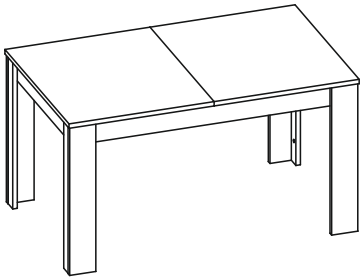
76,6cm

90cm

160,0cm/200,0cm




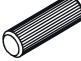


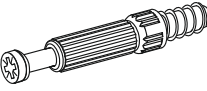


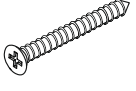
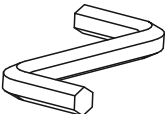
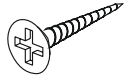
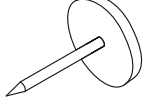

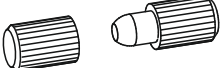
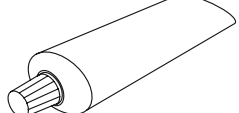
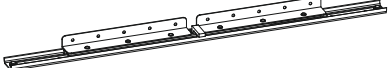


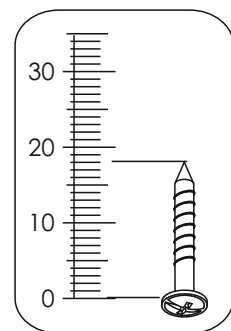
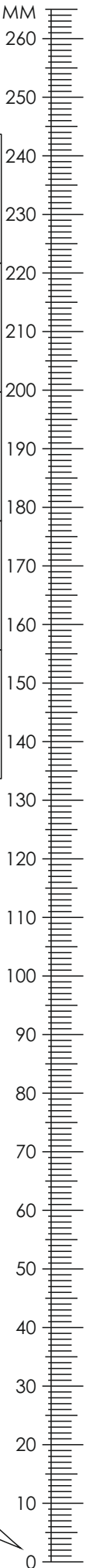


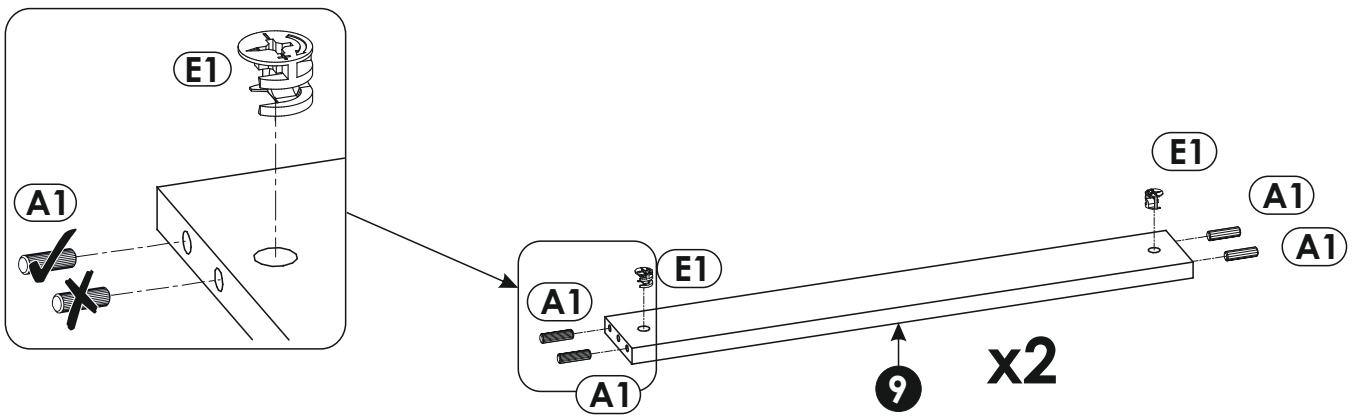
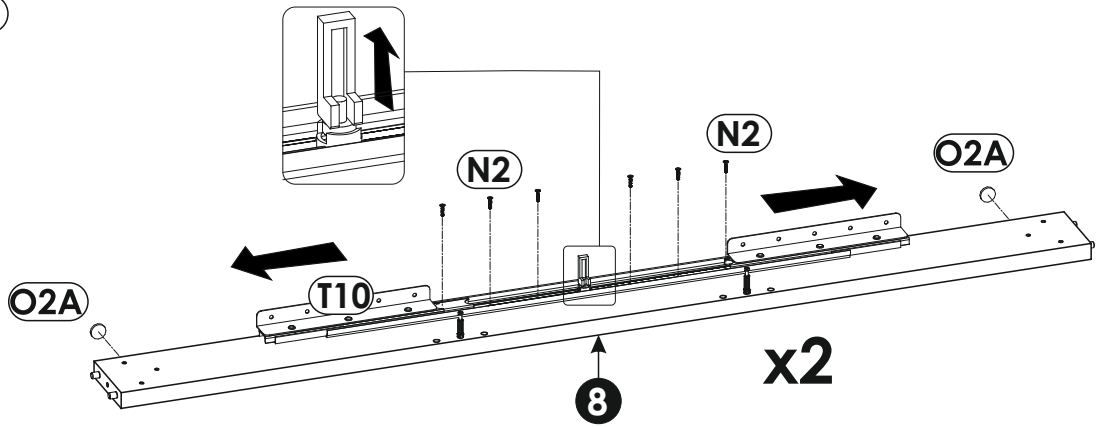
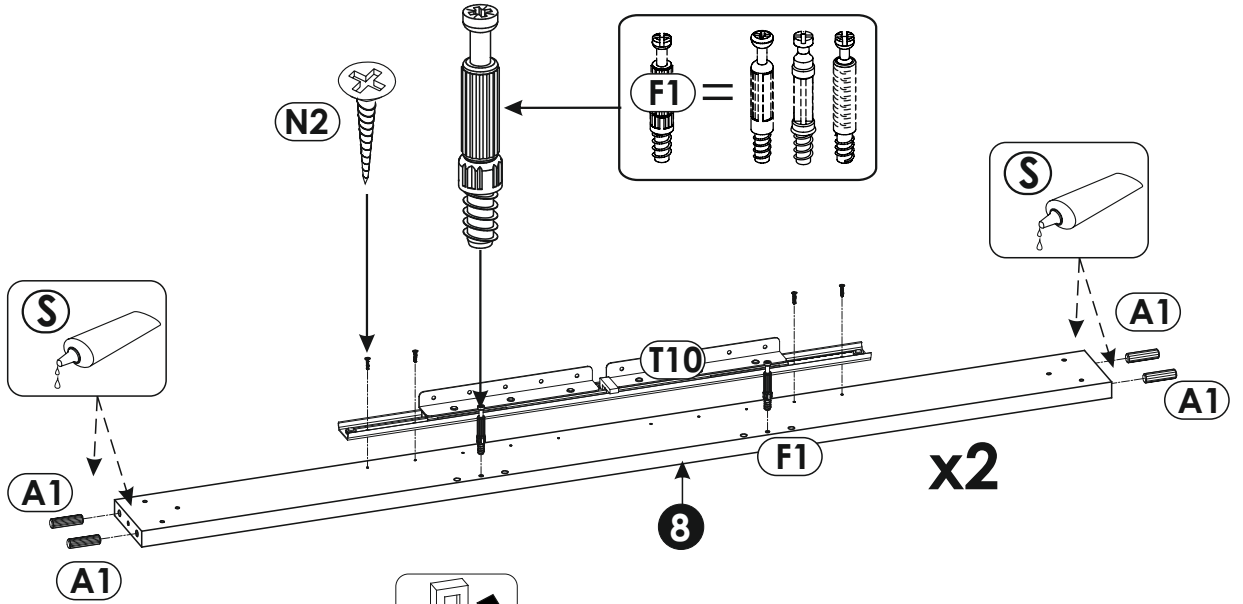
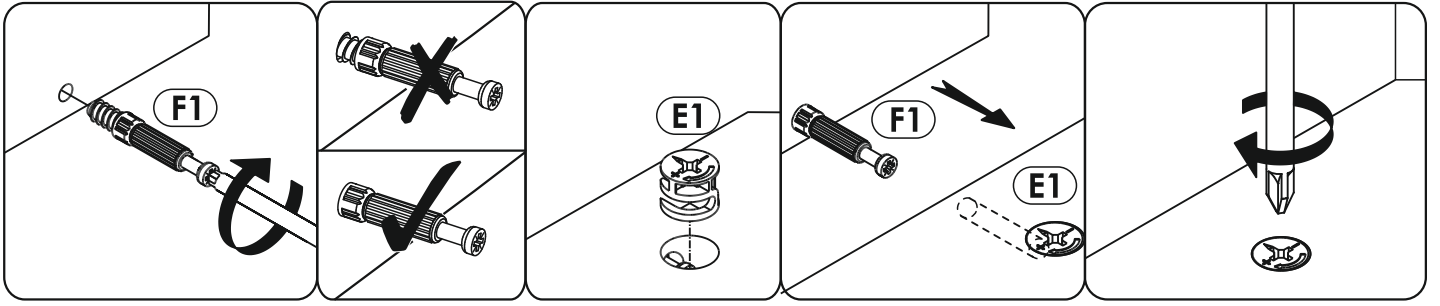
1	900	800	22 x2	2/2
2	900	400	22 x1	2/2
3	737	126	22 x2	1/2

4	737	80	22 x2	1/2
5	737	126	22 x2	1/2
6	737	80	22 x2	1/2

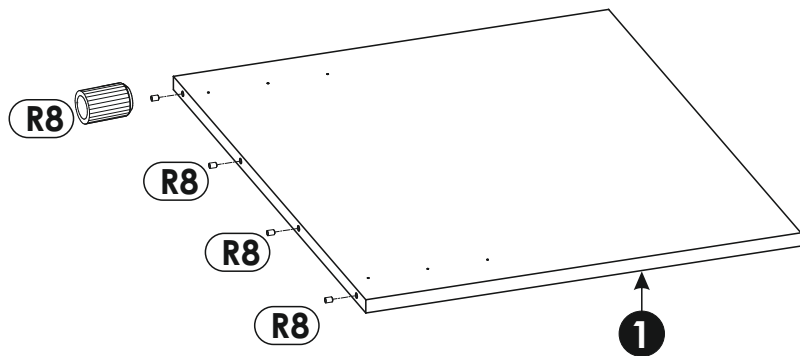
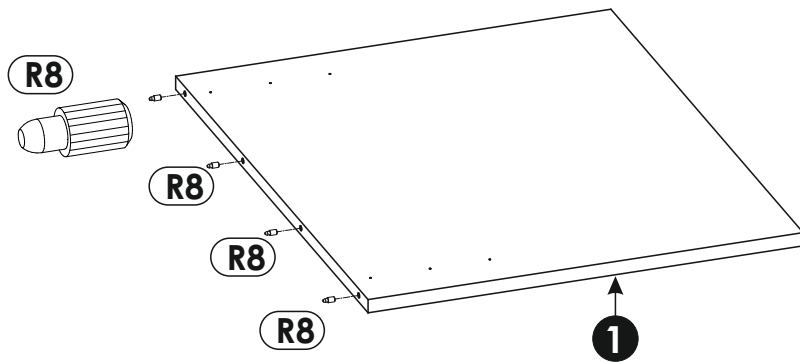
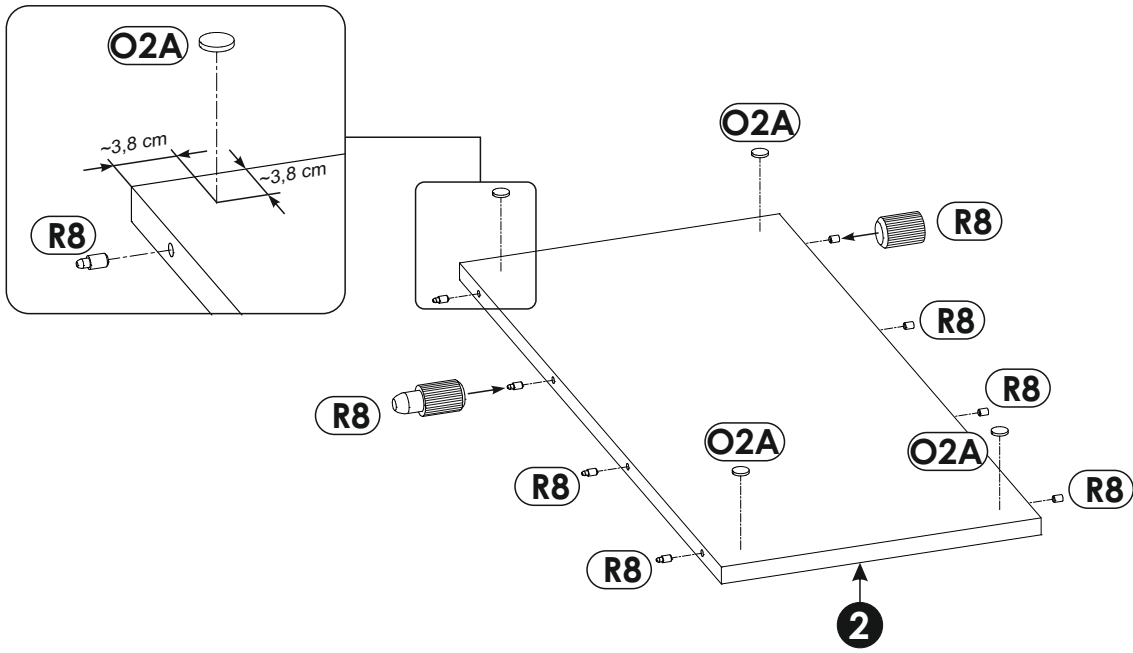
7	846	100	22 x2	1/2
8	1500	100	22 x2	1/2
9	802	100	22 x2	2/2

A0 8 x 24 mm x16 	A1 8 x 35 mm x24 	E1 15 x 12 mm x16 
E0  x16	F1 6 x 34 mm x16 	G2 7 x 60 mm x4 
I1 4 x 20 mm x20 	I12 4 x 40 mm x24 	M  x1
N2 3,5 X 16 mm x20 	O2  x8	O2A ø20 x8 
R8  x8	S  x1	T10 L-700 x2 

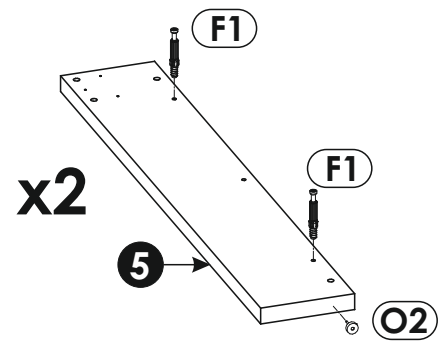
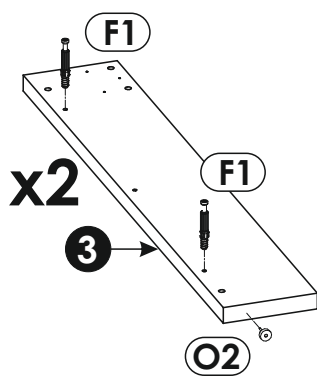
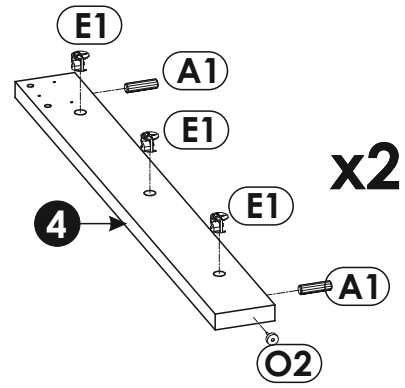
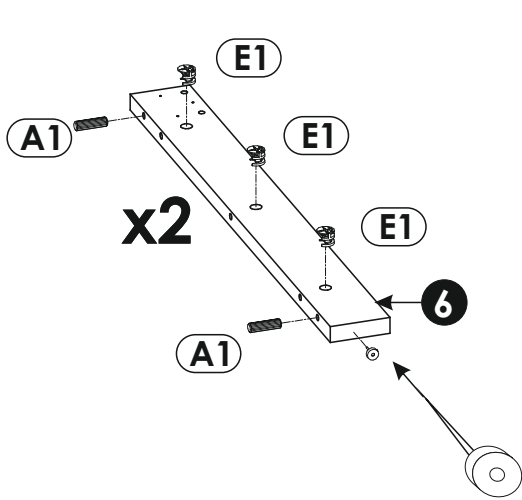




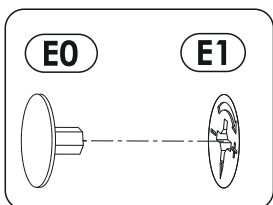
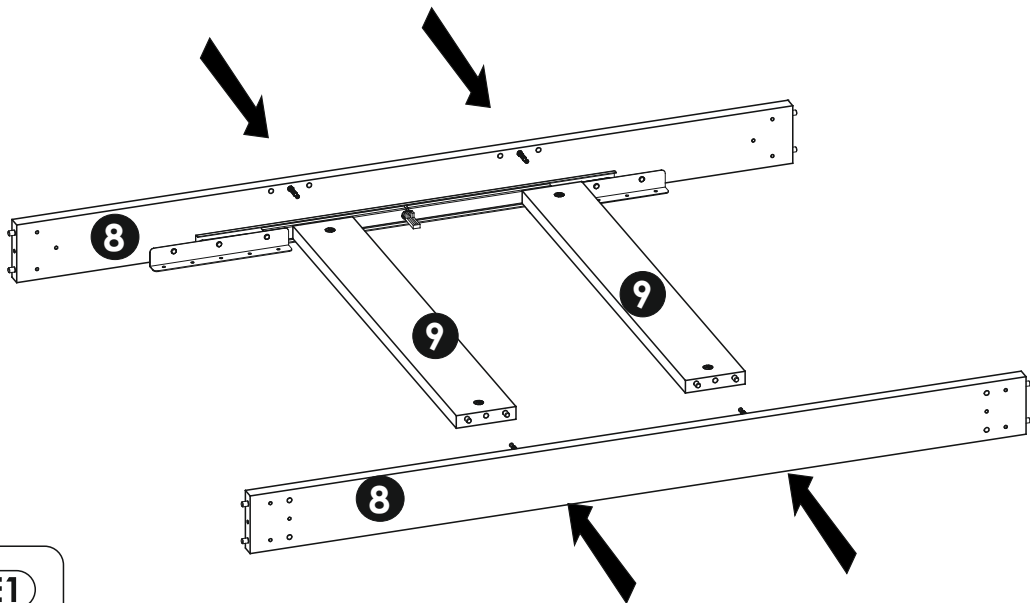
2 ▶



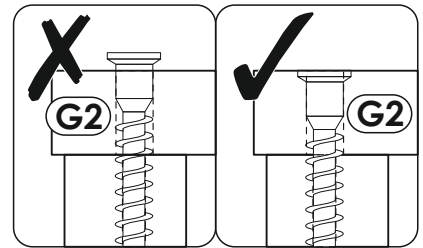
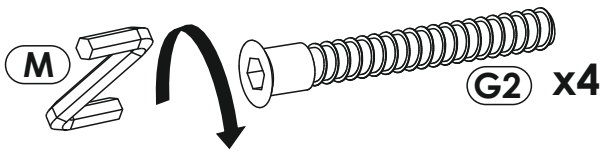
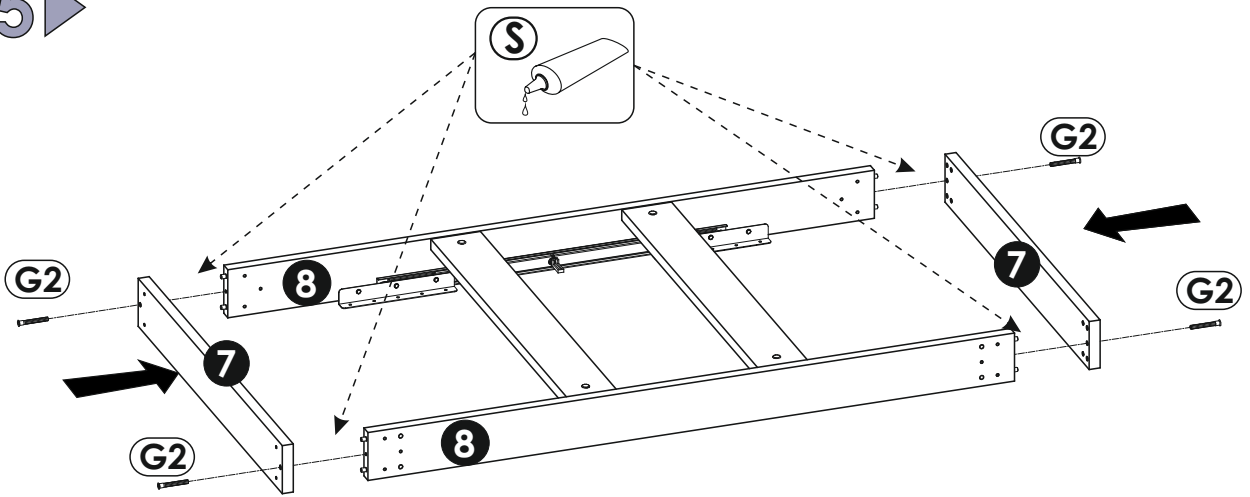
3 ▶



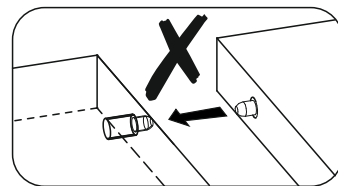
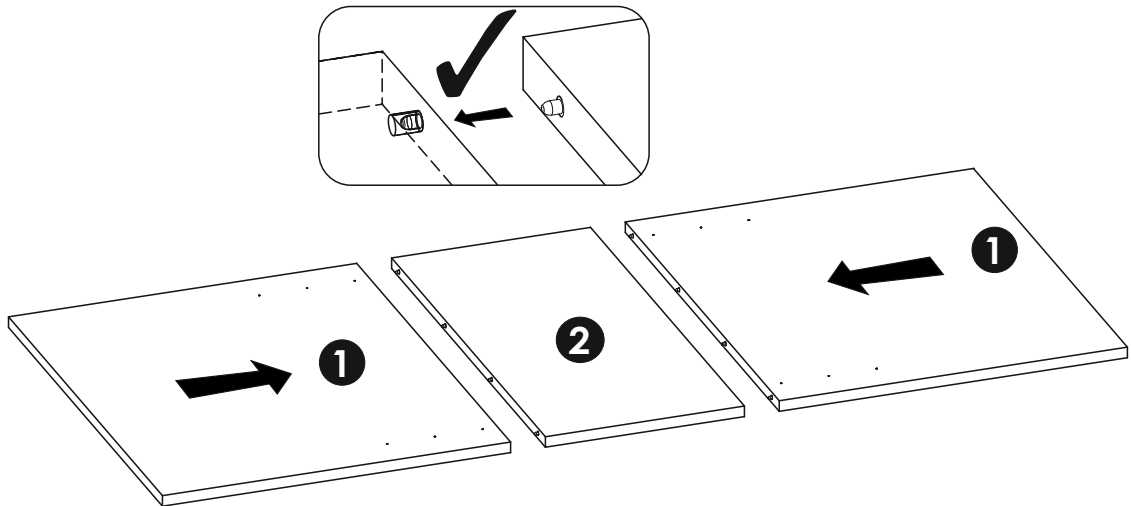
4 ▶



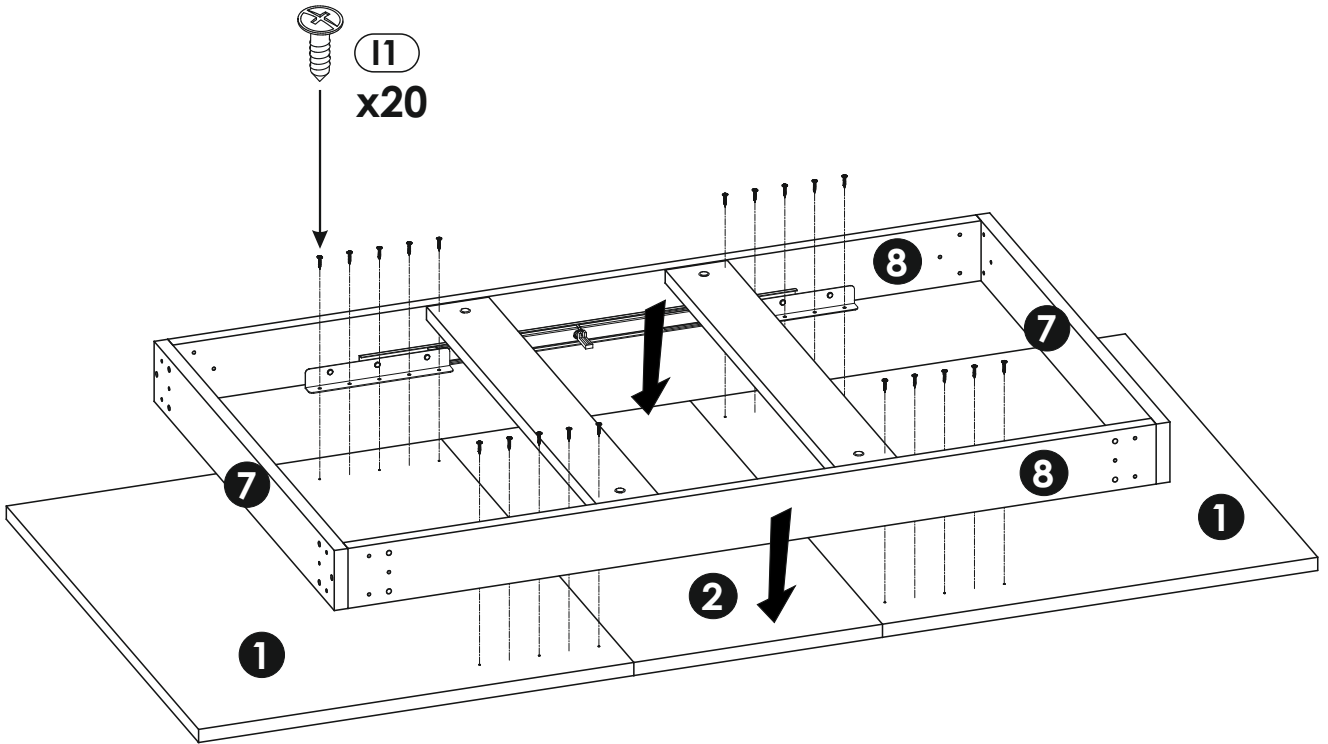
5 ▶



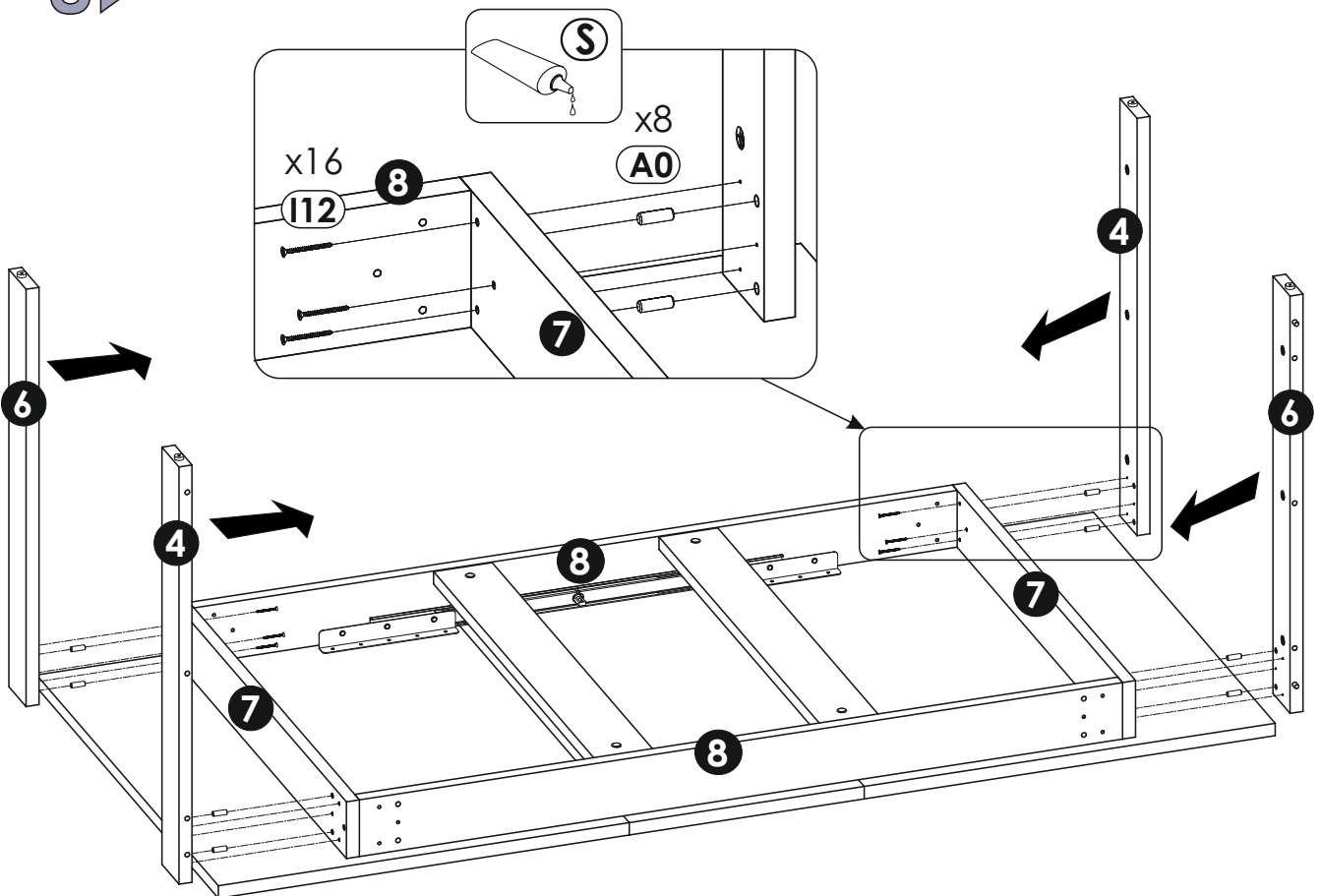
6 ▶

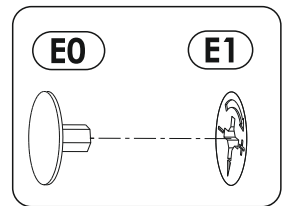
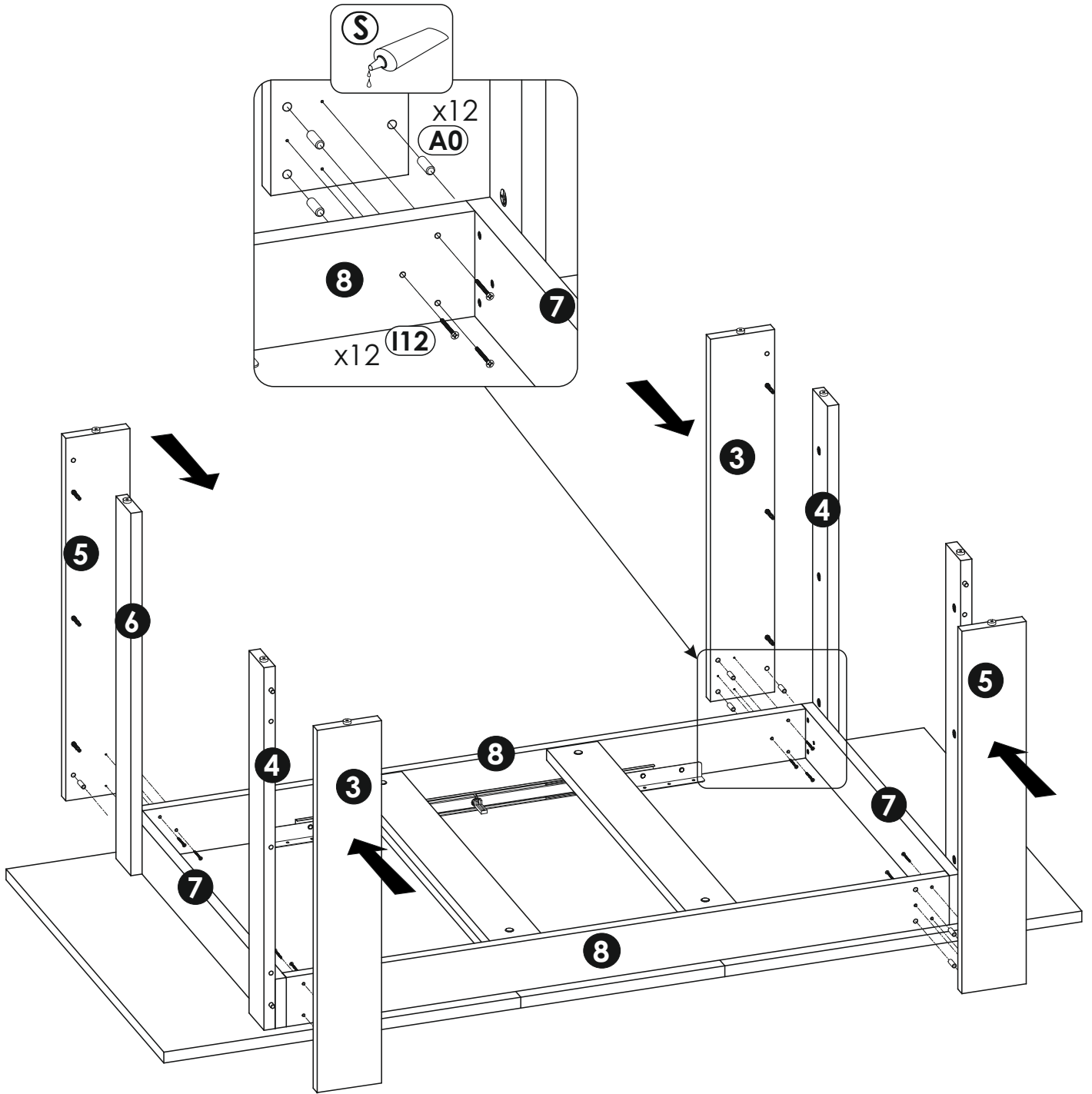


7 ▶

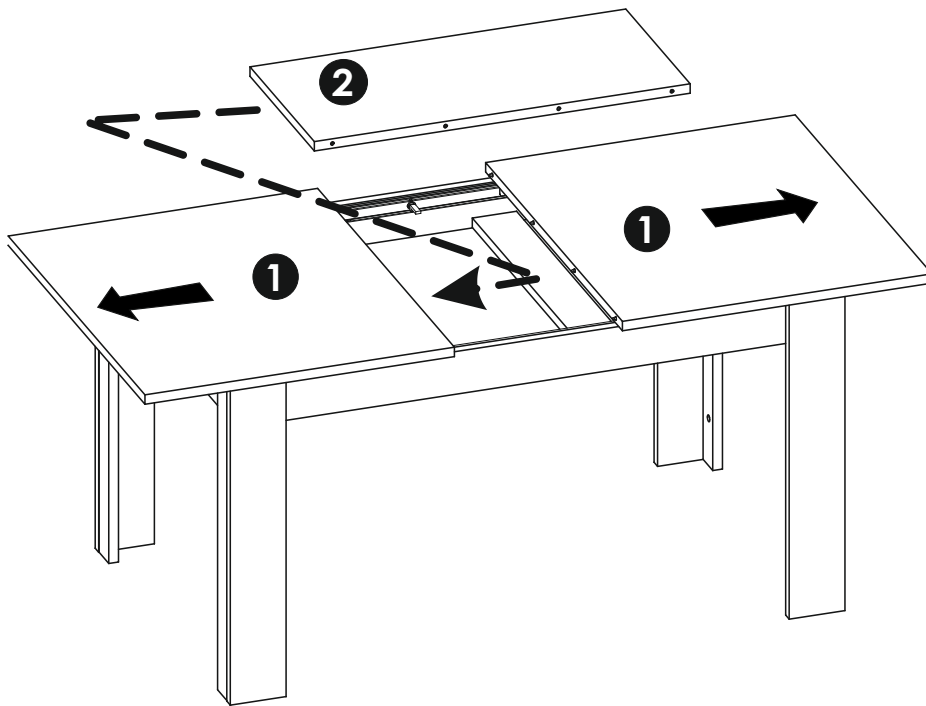


8 ▶





11 ▶



12 ▶

