
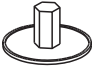




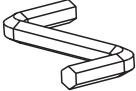

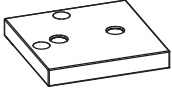
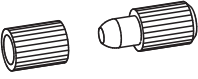
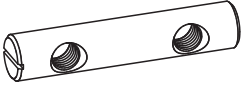
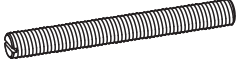


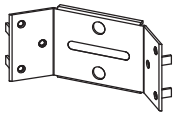
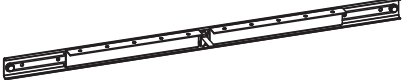
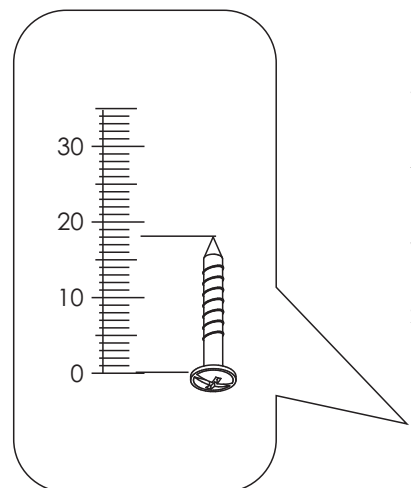
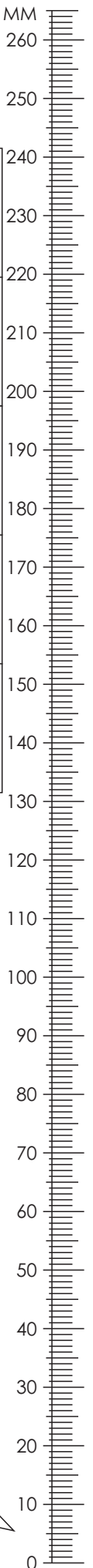
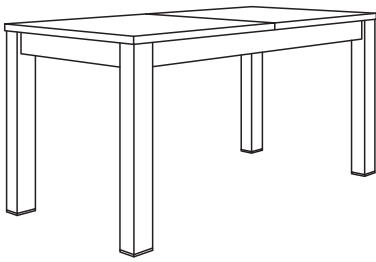
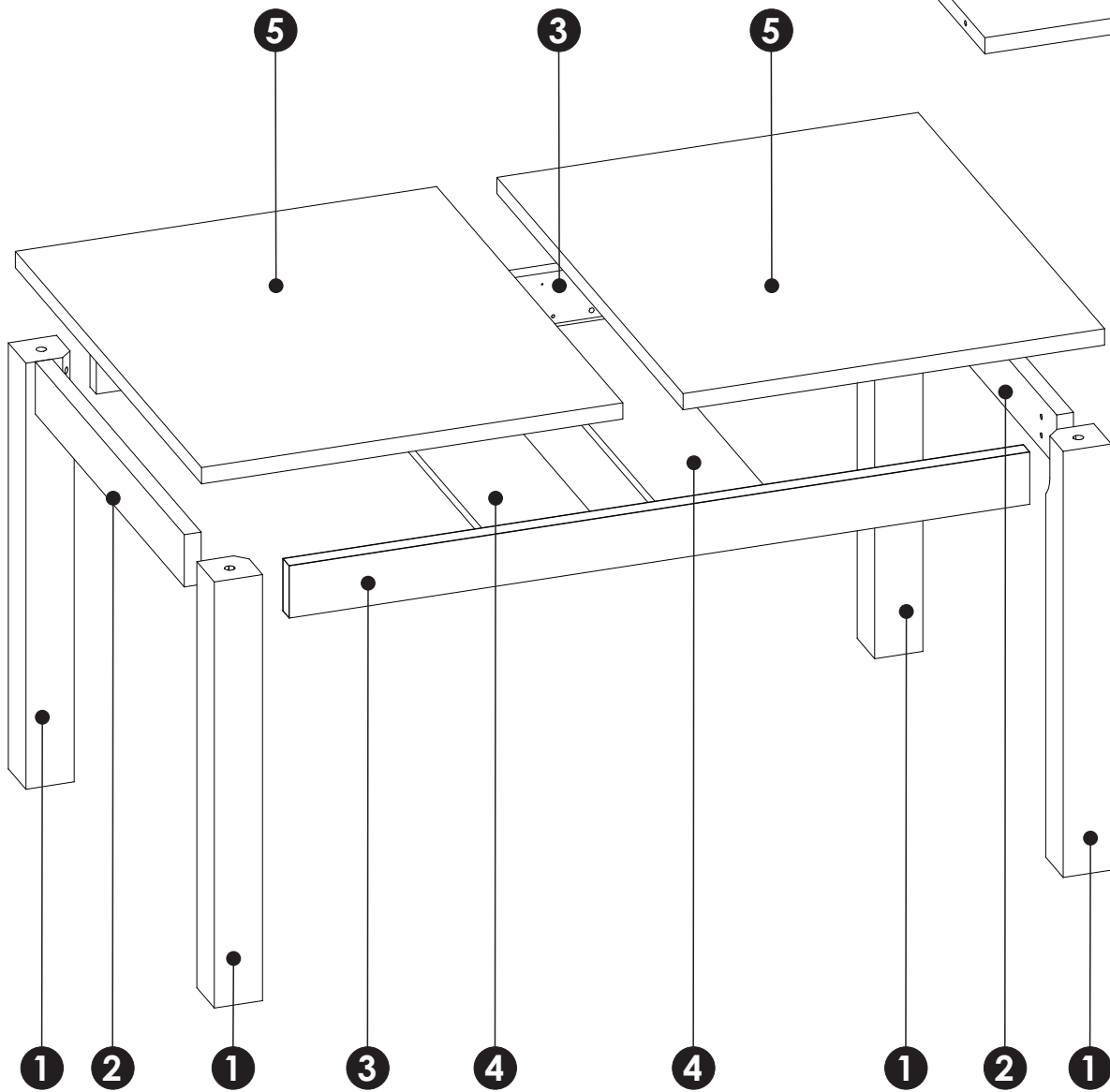
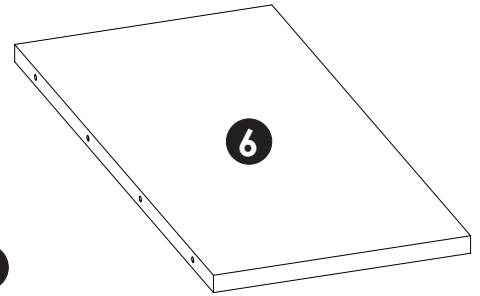


<b>A1</b> x 8 $\varnothing$ 8 x 35 mm 	<b>E0</b> x 4 	<b>E1</b> x 4 
<b>F1</b> x 4 $\varnothing$ 6 x 34 mm 	<b>I3</b> x 40 4 x 20 mm 	<b>I5</b> x 8 3,5 x 30 mm 
<b>M</b> x 1 	<b>N2</b> x 24 3,5 x 16 mm 	<b>O24</b> x 4 
<b>R8</b> x 8 	<b>S13</b> x 4 	<b>S14</b> x 8 
<b>S15</b> x 8 	<b>S16</b> x 8 	<b>S17</b> x 4 
<b>T9</b> x 2 		

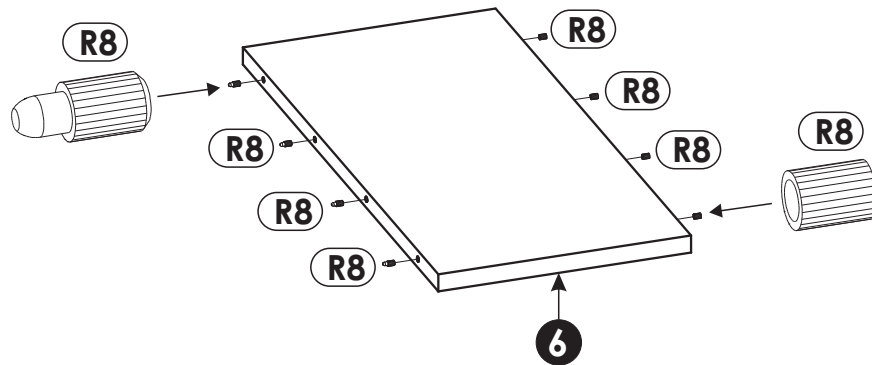
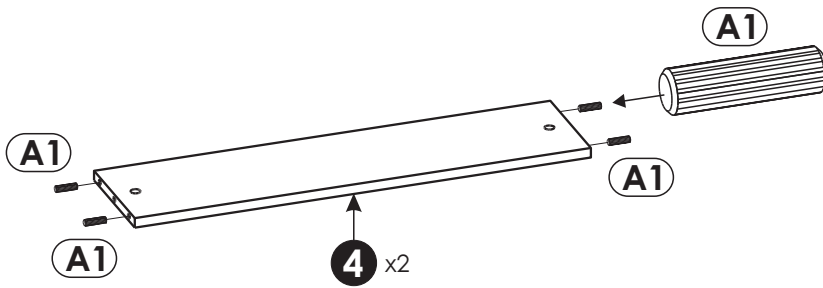
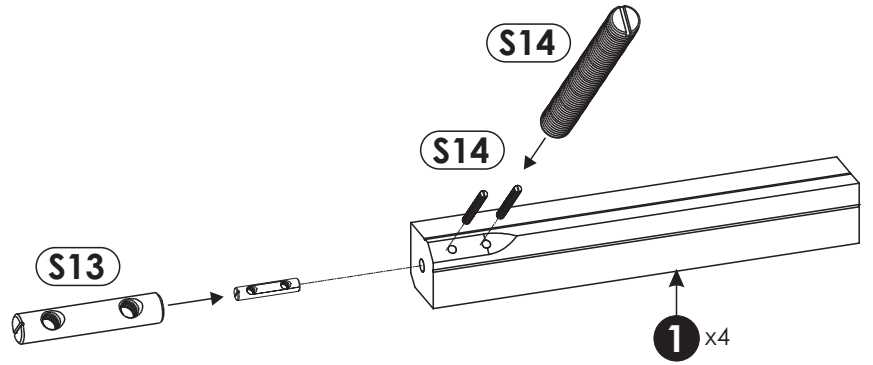
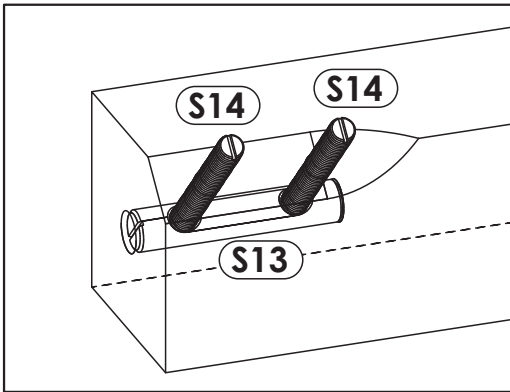
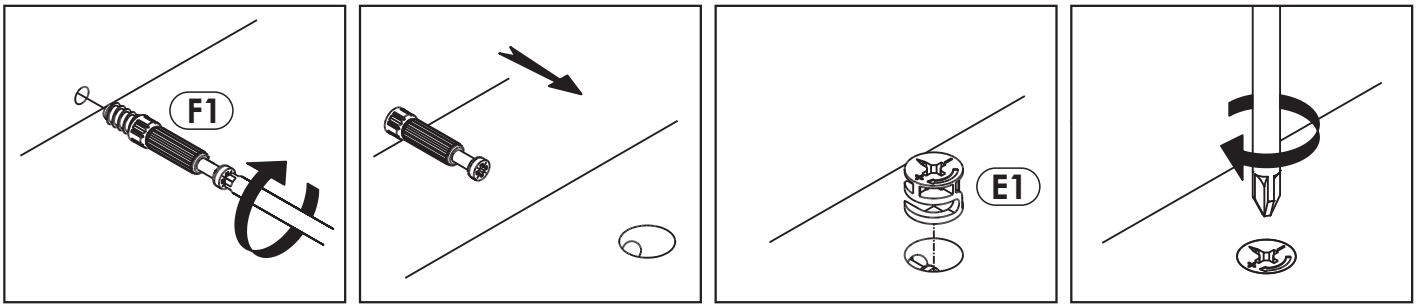




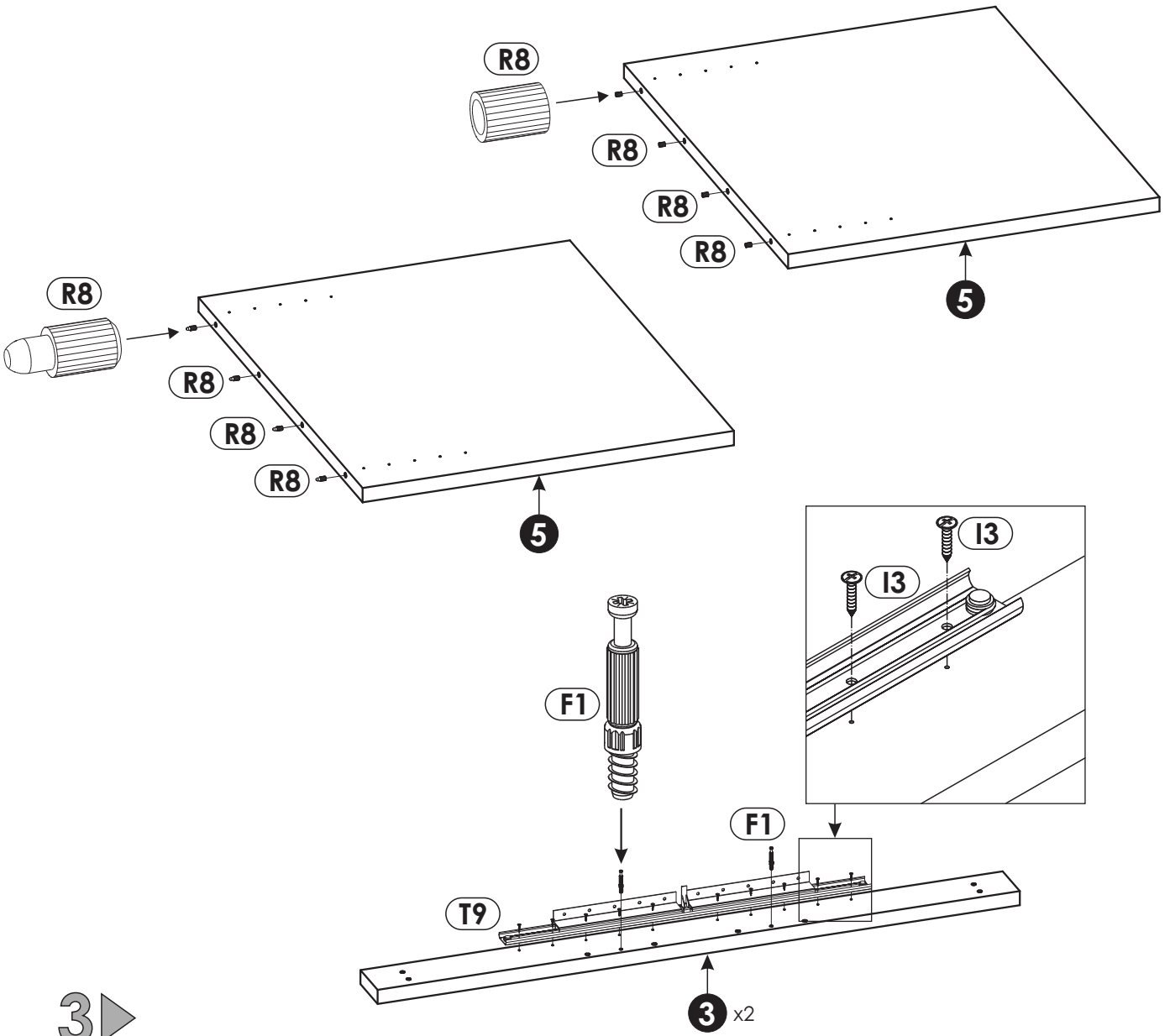
<b>1</b>	734	70	70	x4	1/2
<b>2</b>	700	90	28	x2	1/2
<b>3</b>	1250	90	28	x2	1/2
<b>4</b>	774	180	16	x2	2/2
<b>5</b>	700	850	28	x2	2/2
<b>6</b>	400	850	28	x1	2/2



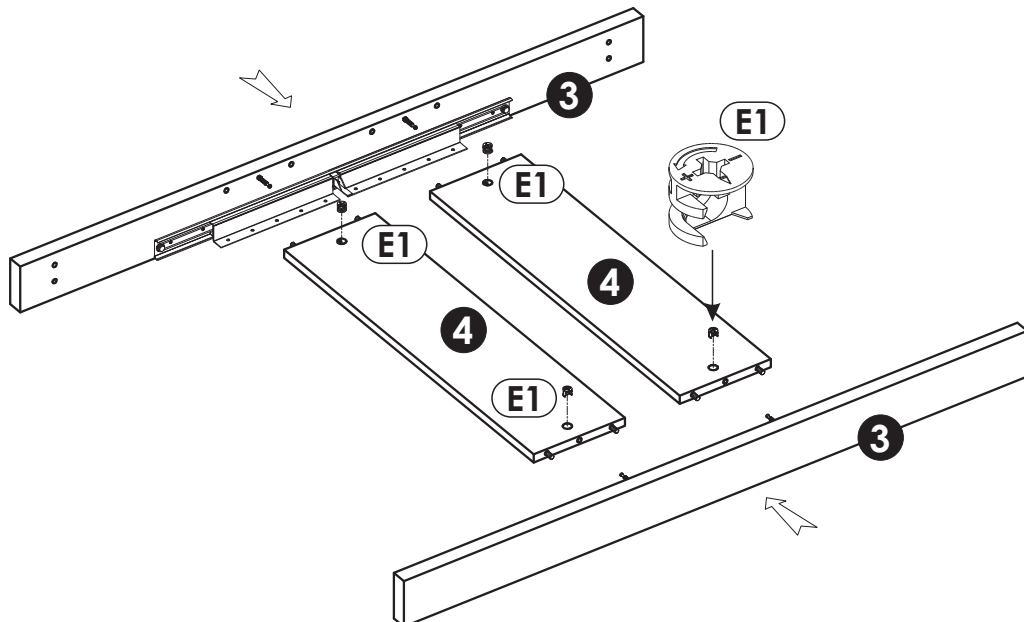




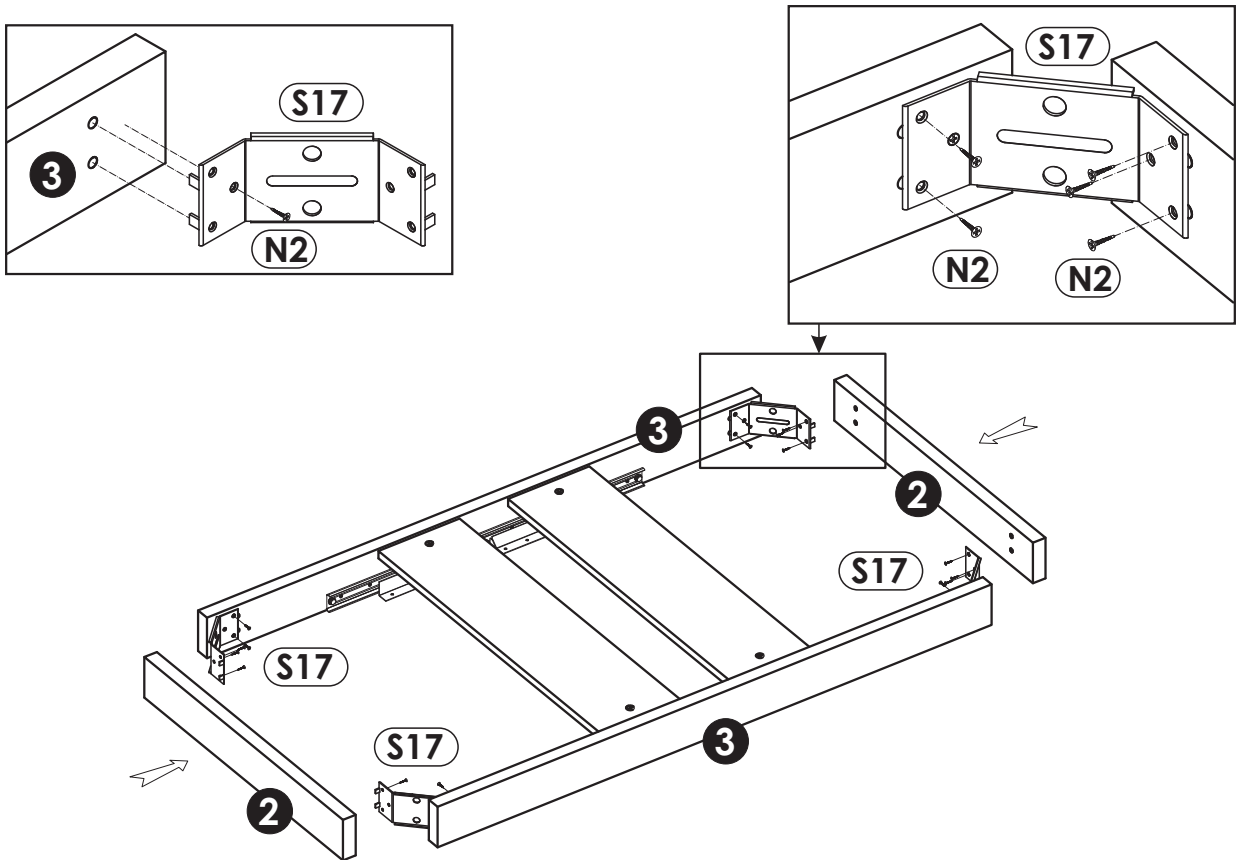
2 ▶



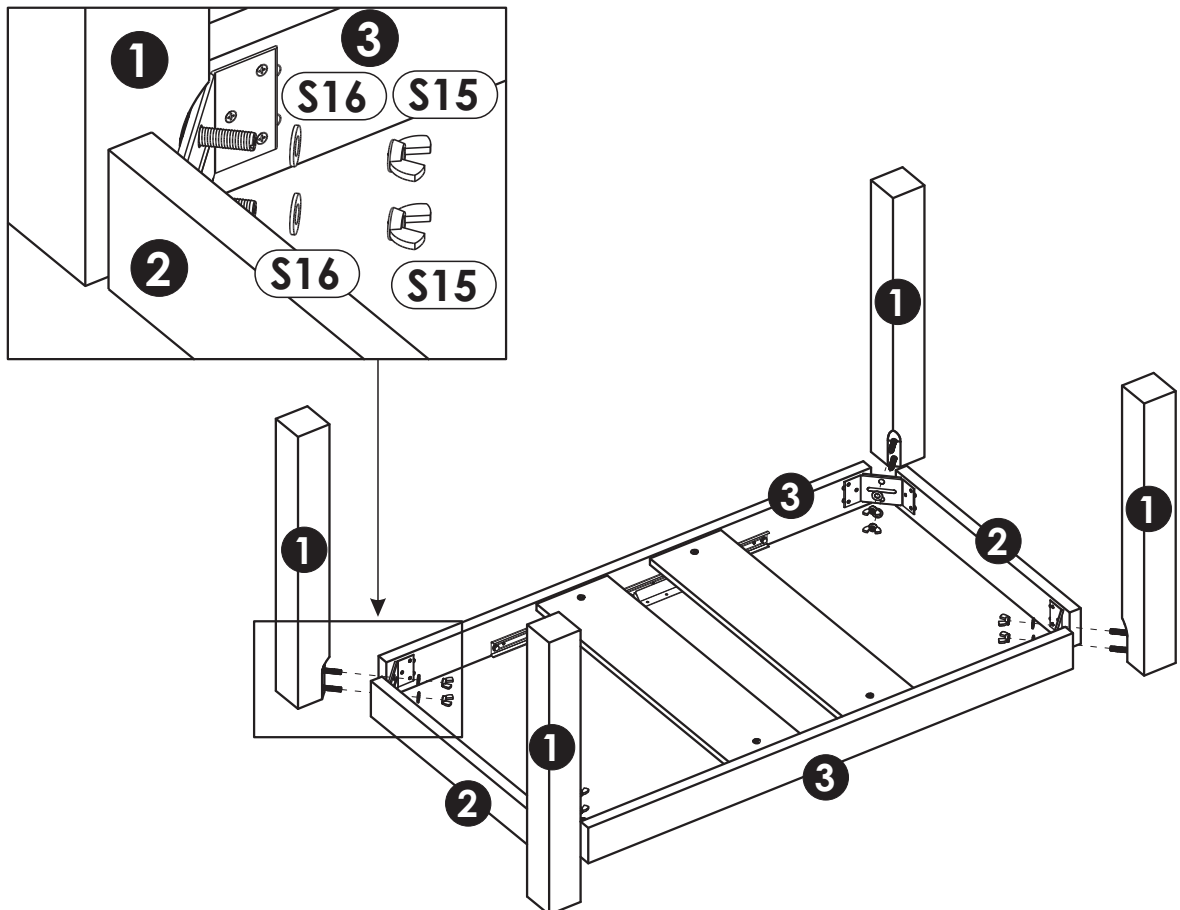
3 ▶



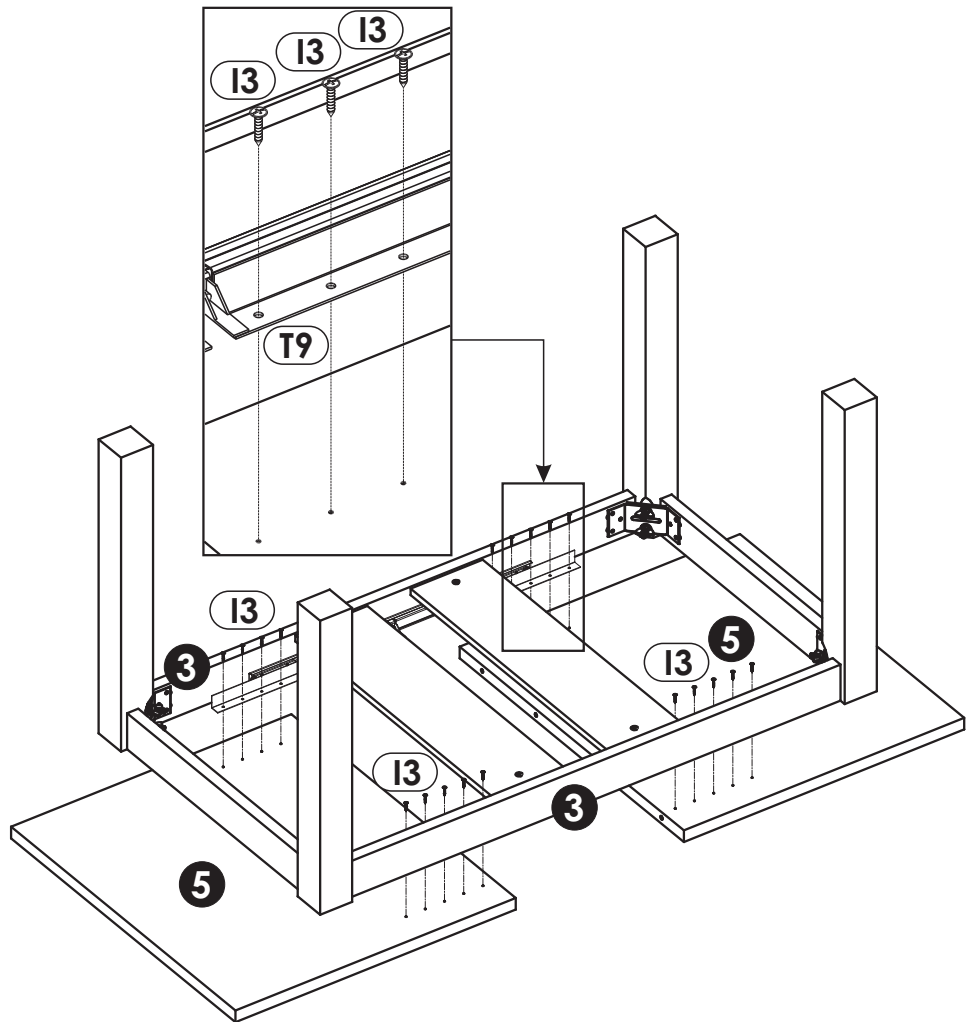
4 ▶



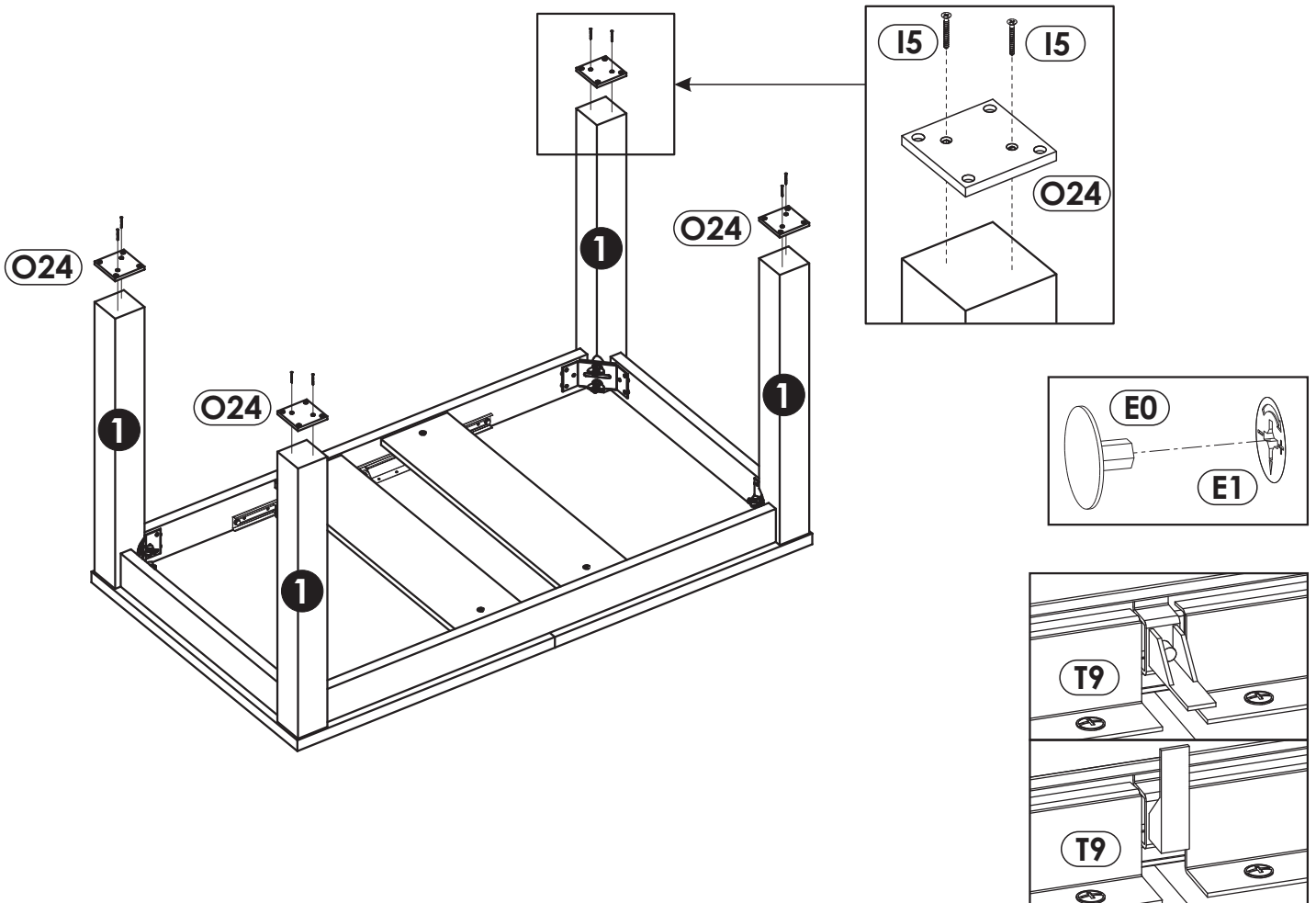
5 ▶



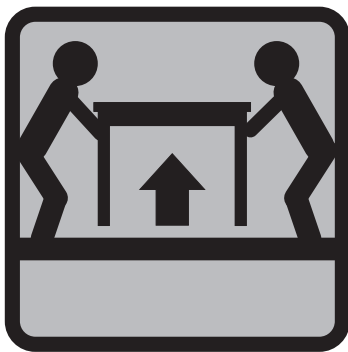
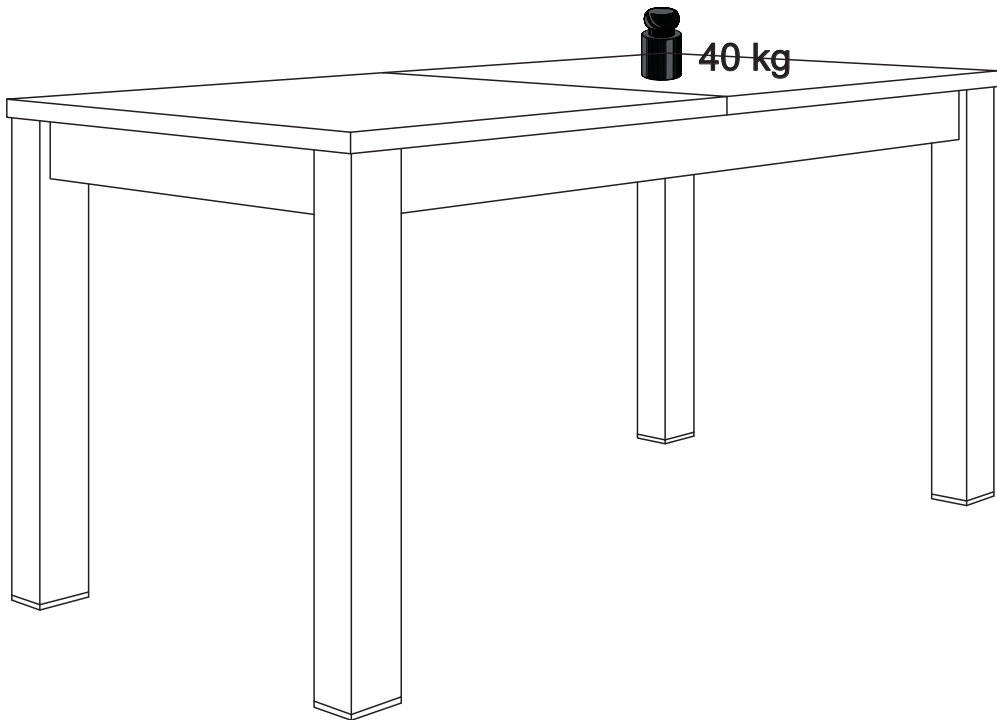
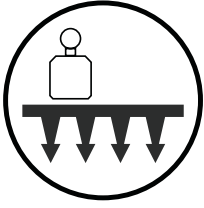
6 ▶

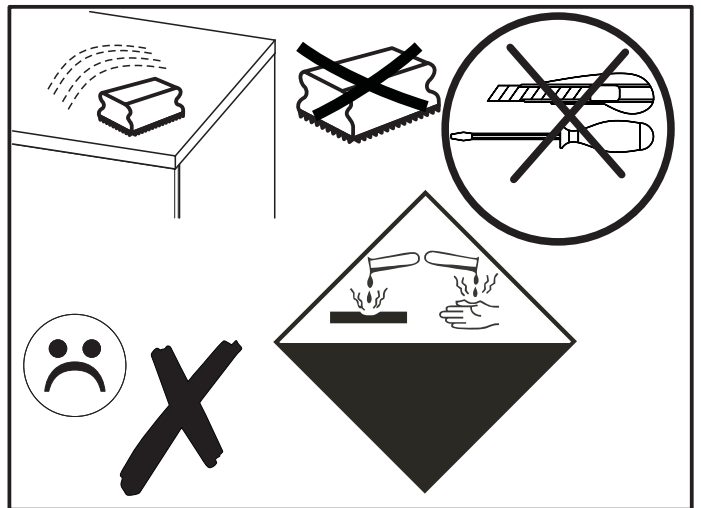
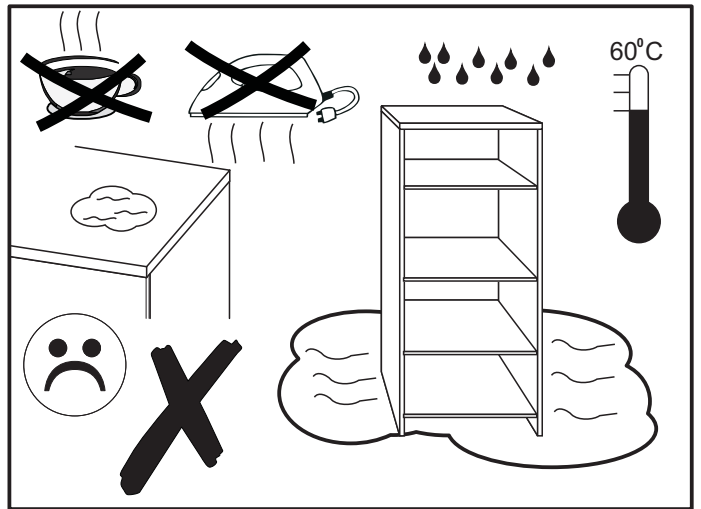
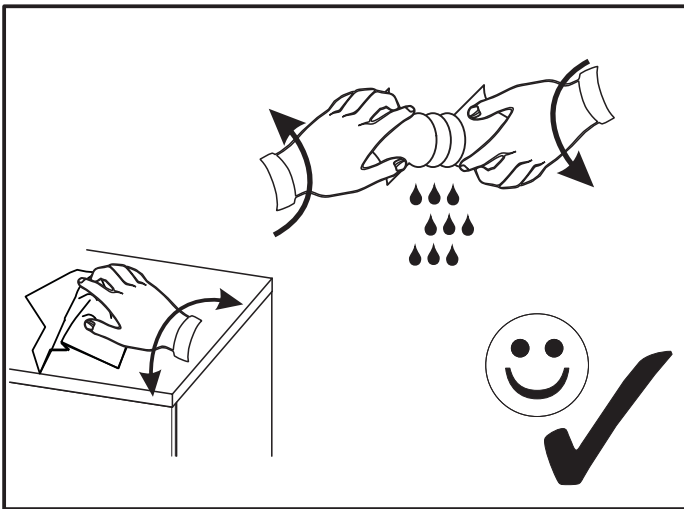
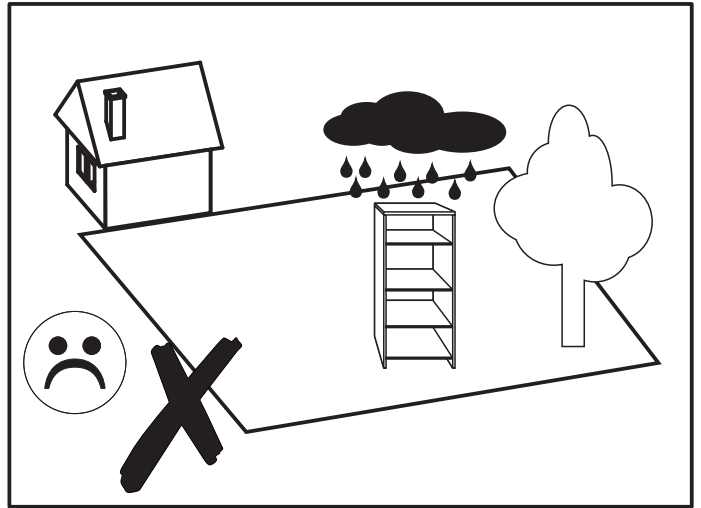
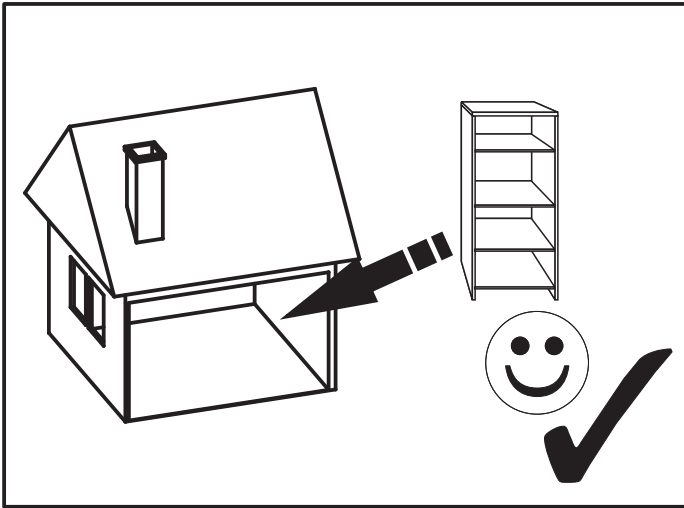


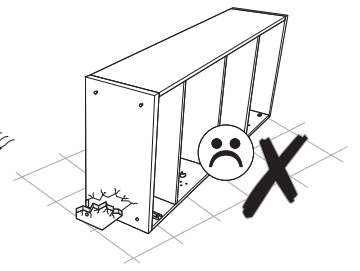
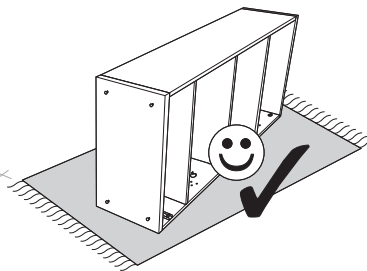
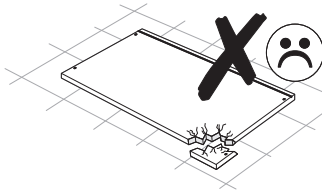
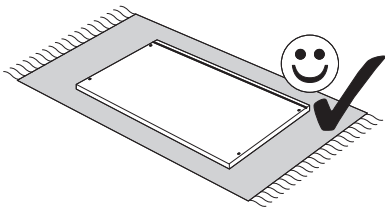
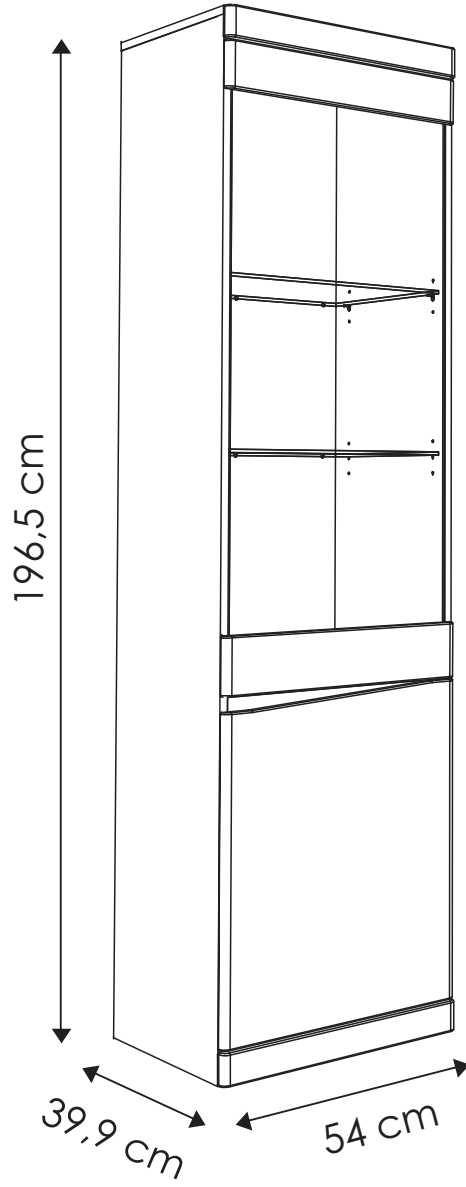
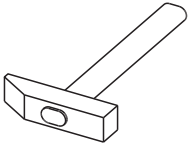
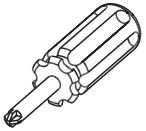
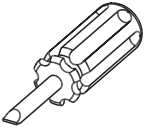
7 ▶

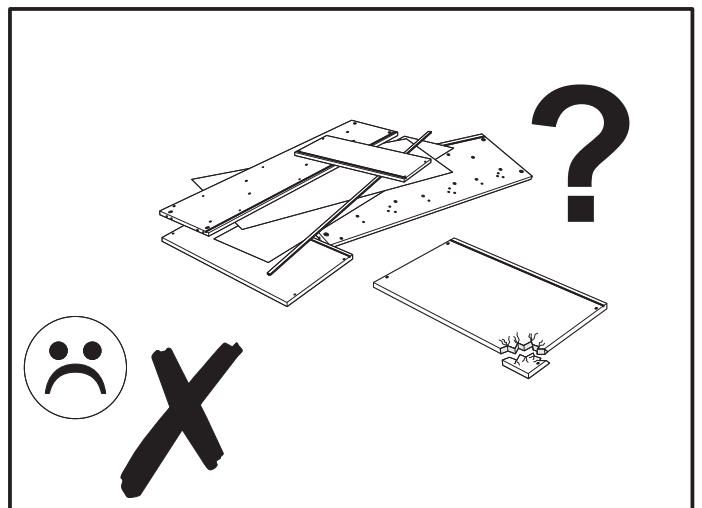
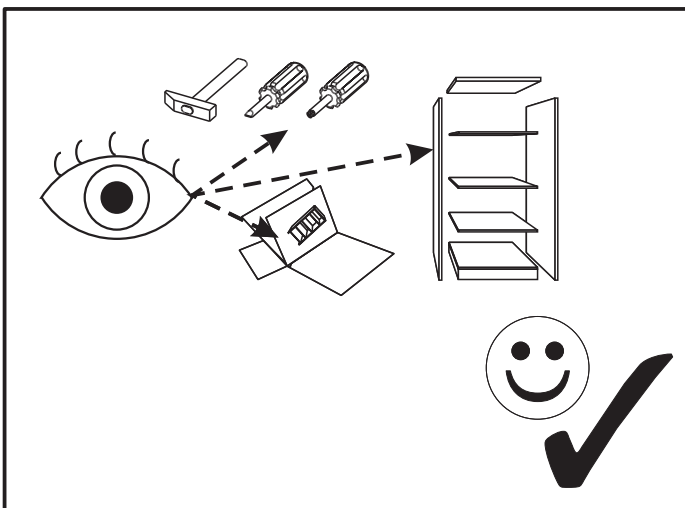
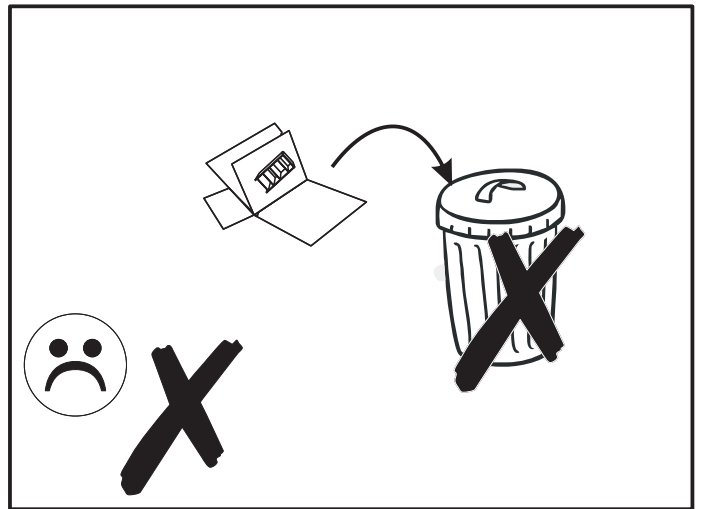
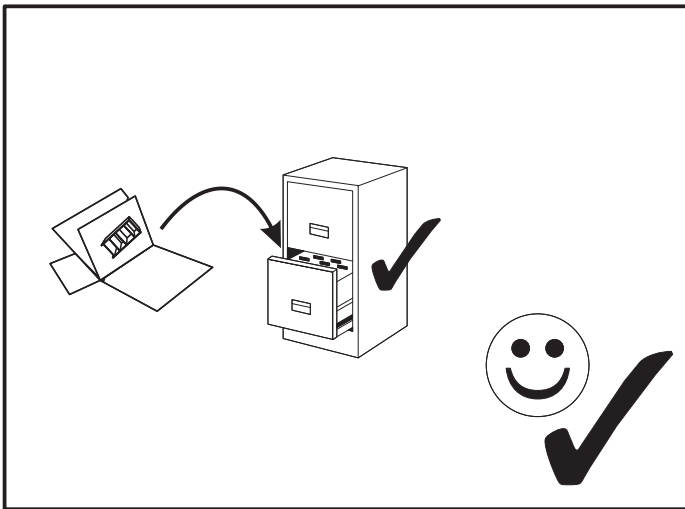
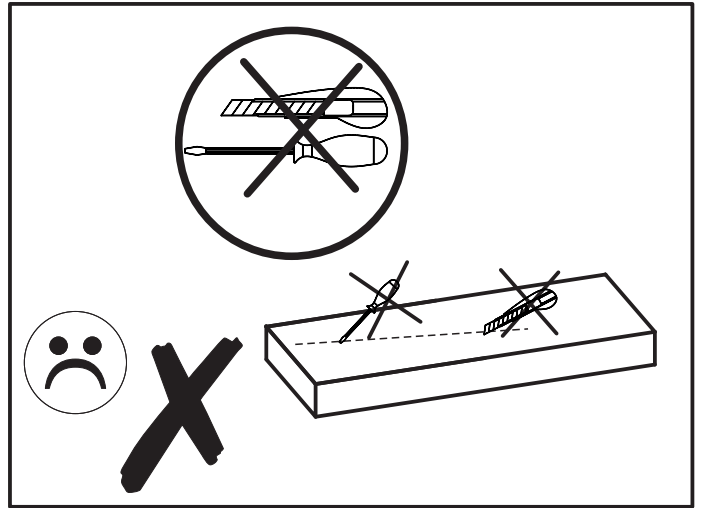
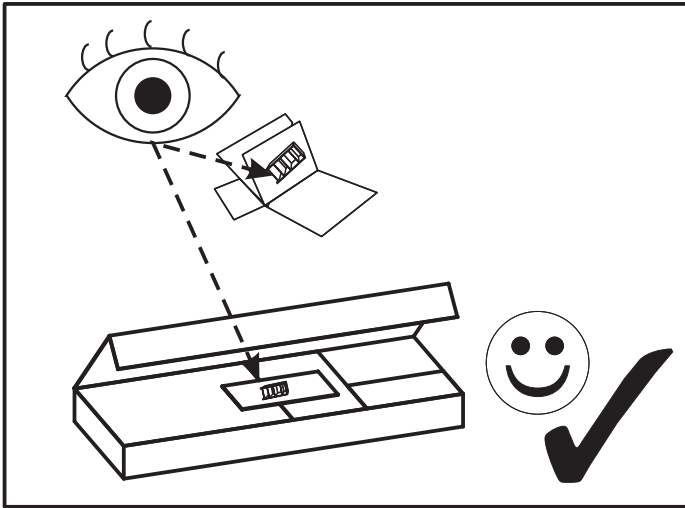


8 ▶











MM

260

250

240

230

220

210

200

190

180

170

160

150

140

130

120

110

100

90

80

70

60

50


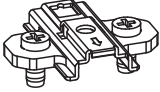
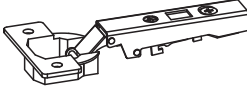

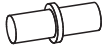





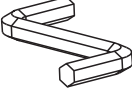


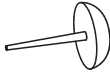


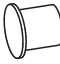

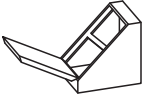
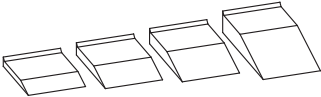
40

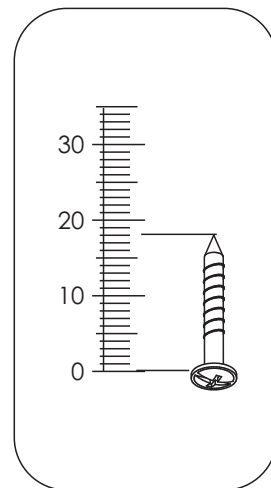
30

20

10

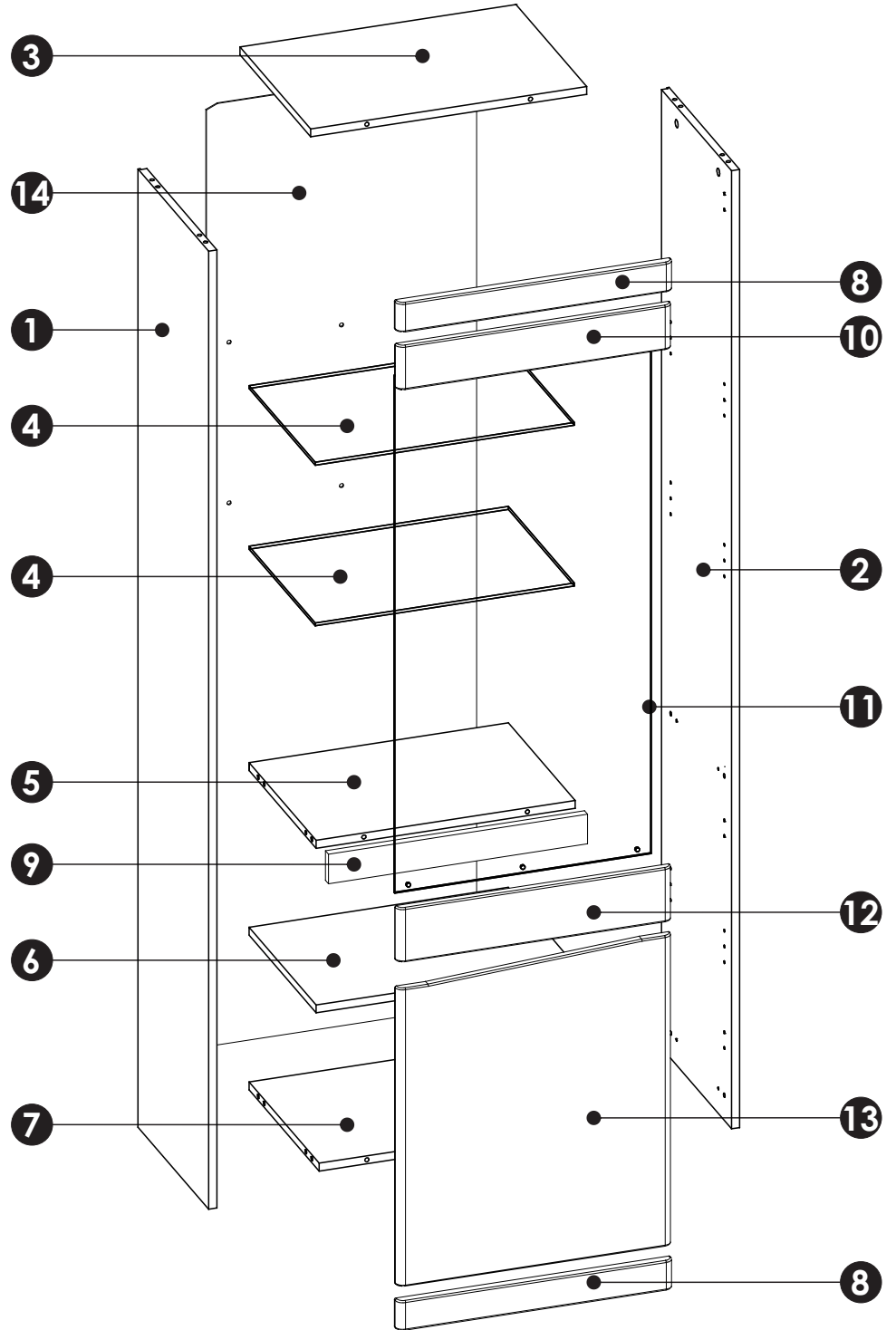
0

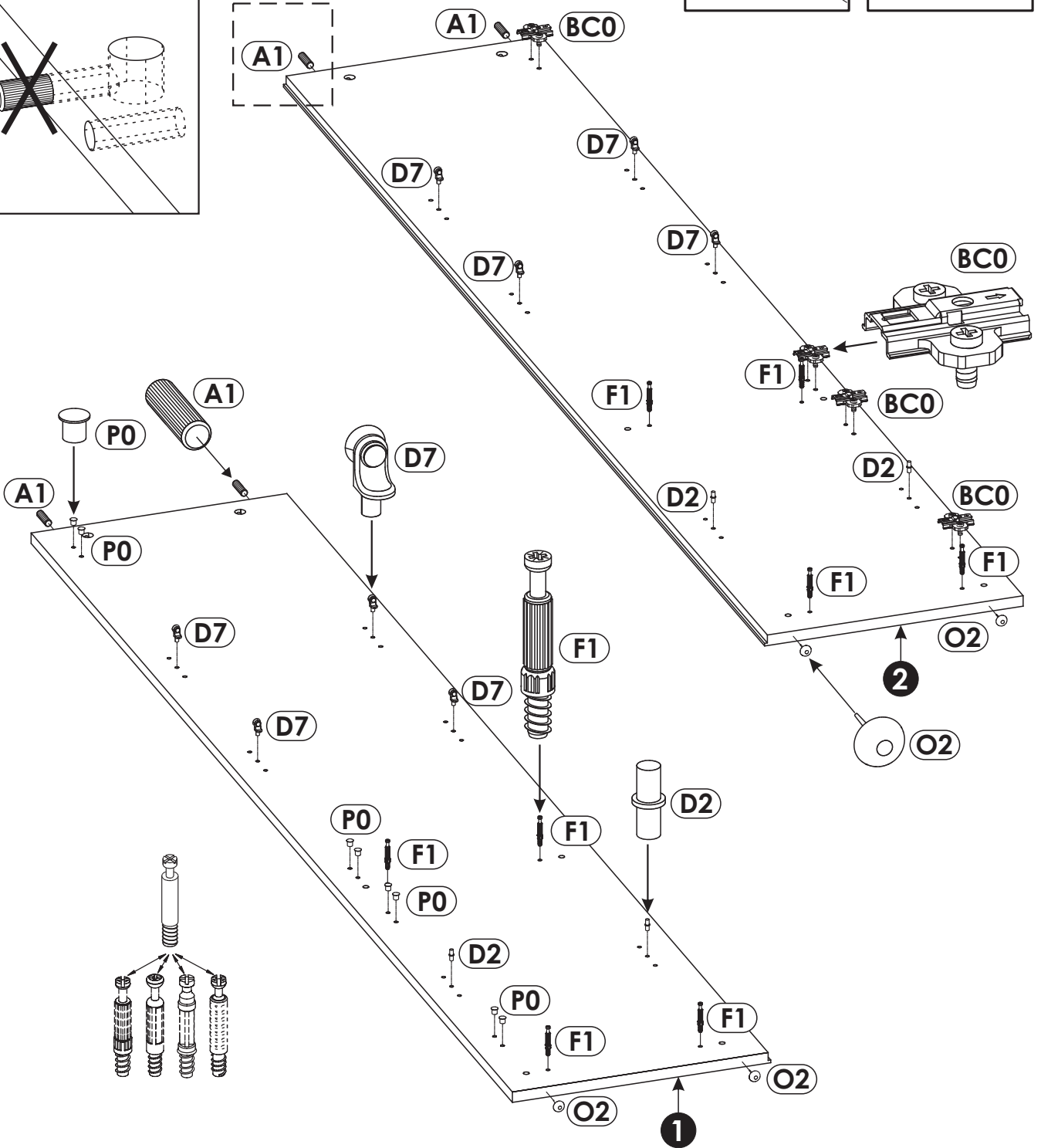
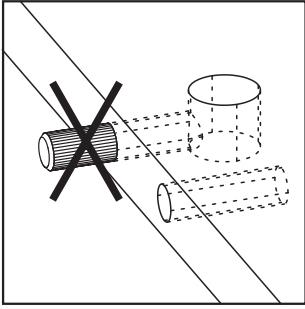
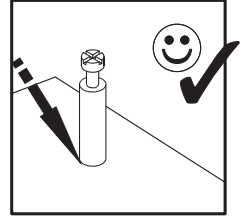
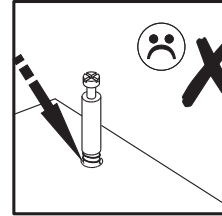
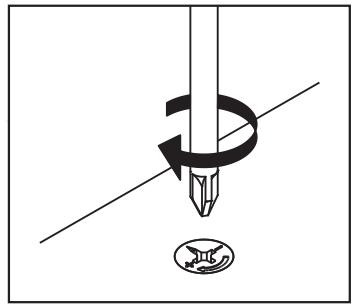
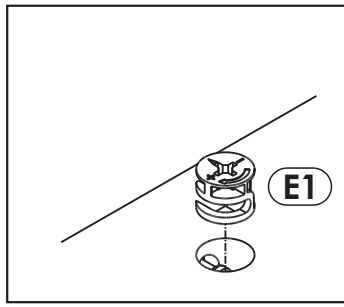
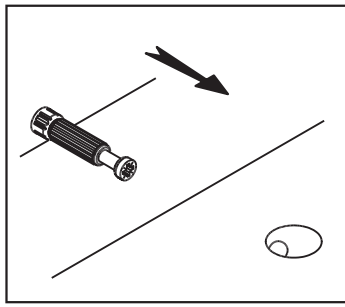
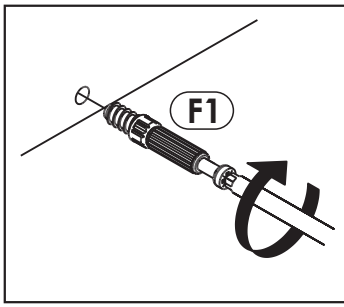
<b>A1</b> x 18 $\varnothing$ 8 x 35 mm 	<b>BC0</b> x 4 	<b>BC1</b> x 4 
<b>C1</b> x 8 EURO 4 x 13 mm 	<b>D2</b> x 4 	<b>D7</b> x 8 
<b>E0</b> x 12 	<b>E1</b> x 12 $\varnothing$ 15 x 12 mm 	<b>F1</b> x 12 
<b>I2</b> x 7 4 x 16 mm 	<b>M</b> x 1 	<b>N1</b> x 40 3 x 16 mm 
<b>N2</b> x 12 3,5 x 16 mm 	<b>O2</b> x 4 	<b>Q9</b> x 1 
<b>P0</b> x 8 $\varnothing$ 5 	<b>P9</b> x 4 $\varnothing$ 8 	<b>R3</b> x 6 
<b>W</b> x 6 	<b>Z</b> x 1 	



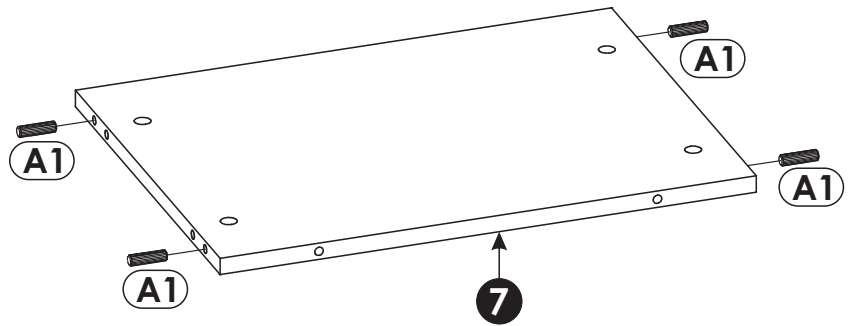
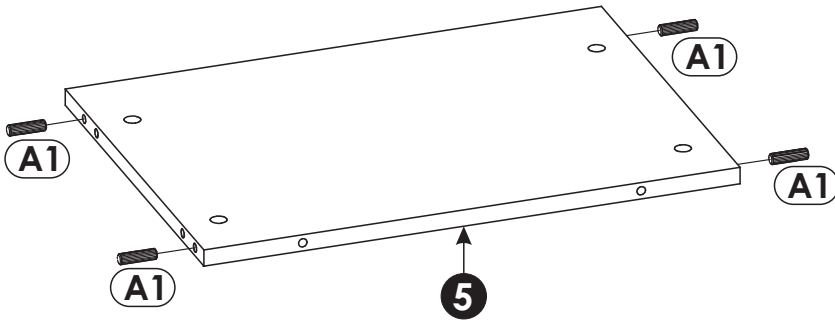
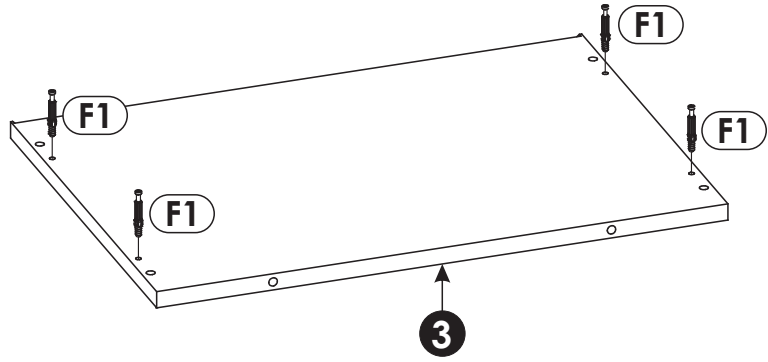


<b>1</b>	1944	380	16 x1	2/2
<b>2</b>	1944	380	16 x1	2/2
<b>3</b>	540	380	16 x1	1/2
<b>4</b>	506	335	6 x2	1/2
<b>5</b>	507	359	16 x1	1/2
<b>6</b>	507	360	16 x1	1/2
<b>7</b>	507	376	16 x1	1/2
<b>8</b>	540	60	19 x2	1/2
<b>9</b>	507	60	16 x1	1/2
<b>10</b>	538	90	16 x1	1/2
<b>11</b>	1049	502	4 x1	2/2
<b>12</b>	538	110	16 x1	1/2
<b>13</b>	538	630	16 x1	1/2
<b>14</b>	1910	529	3 x1	2/2

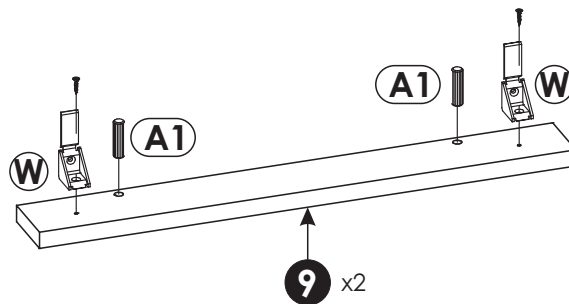
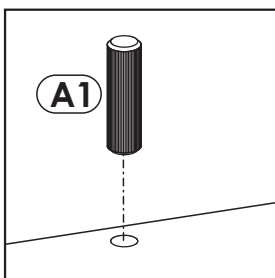
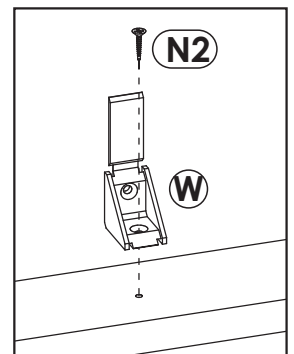
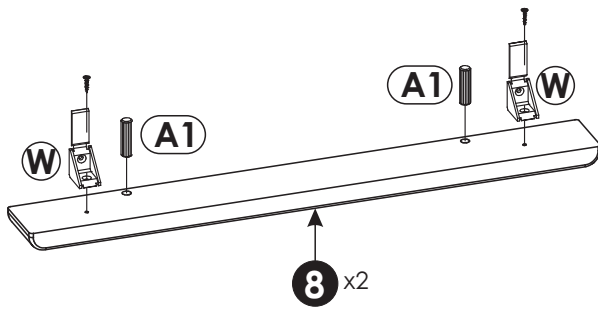




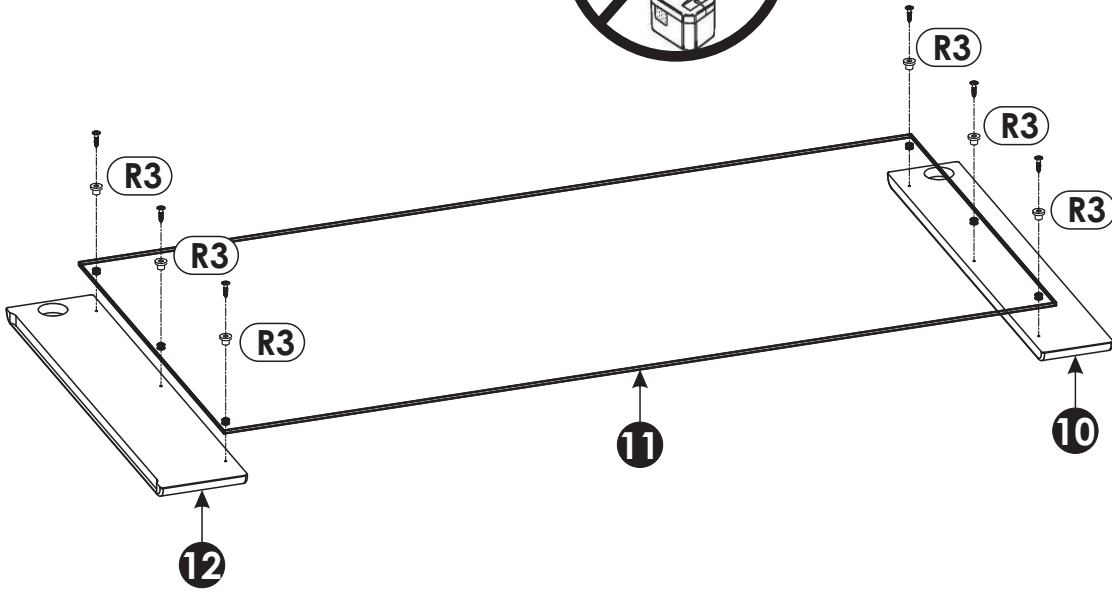
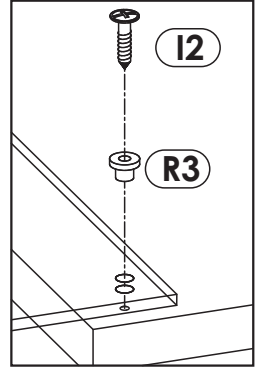
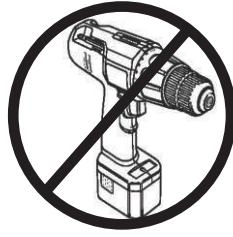
2 ▶



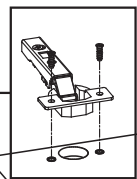
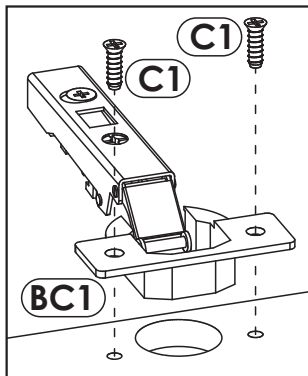
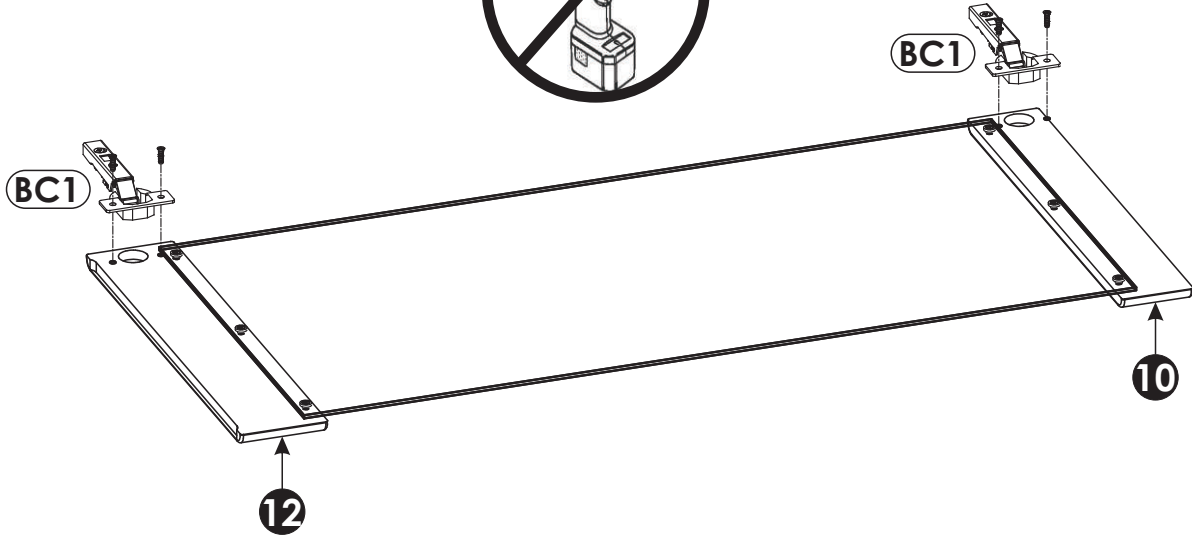
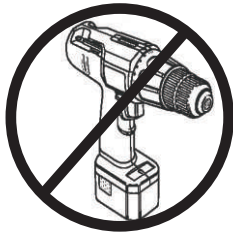
3 ▶



4 ▶

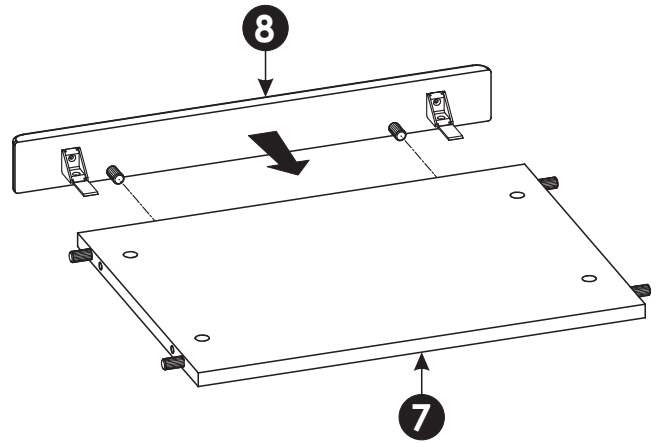
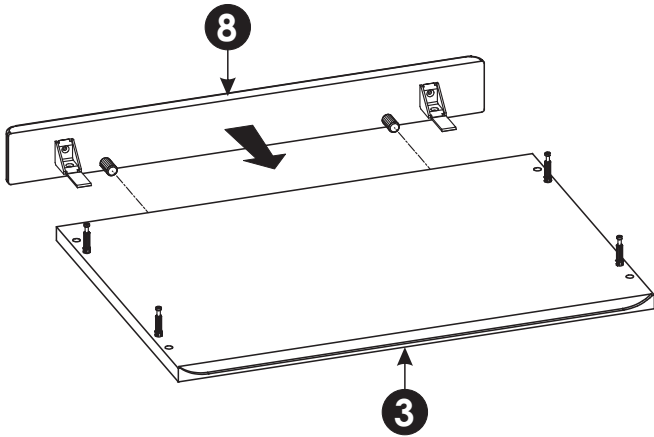
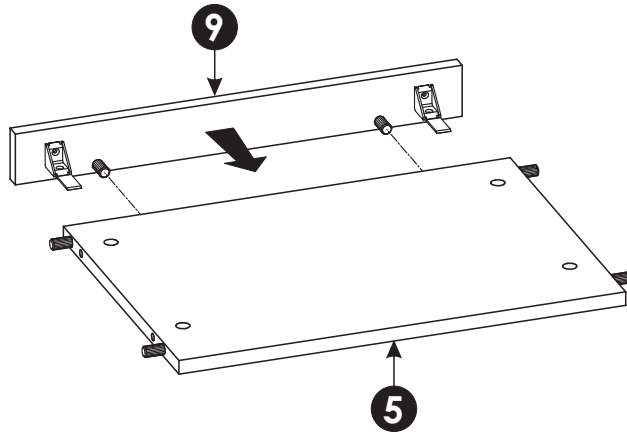


5 ▶

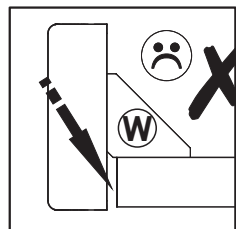
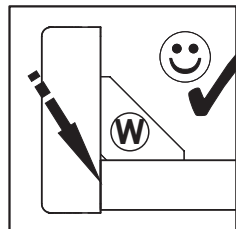
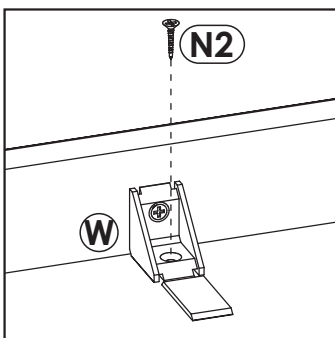
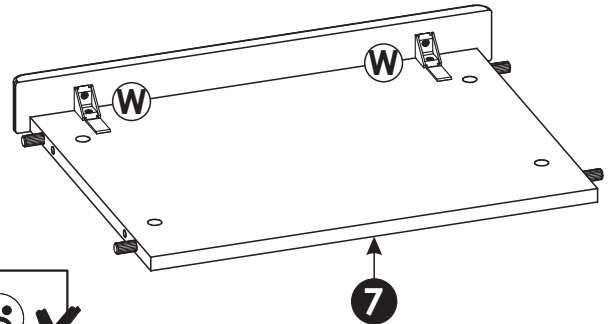
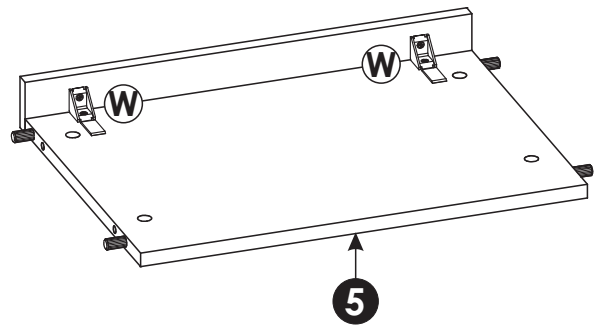
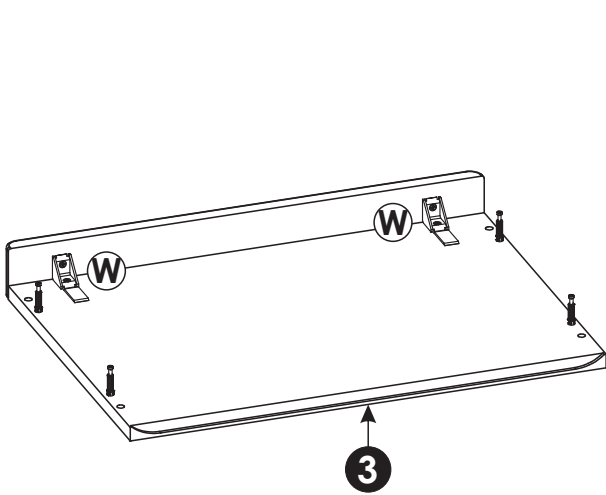


13

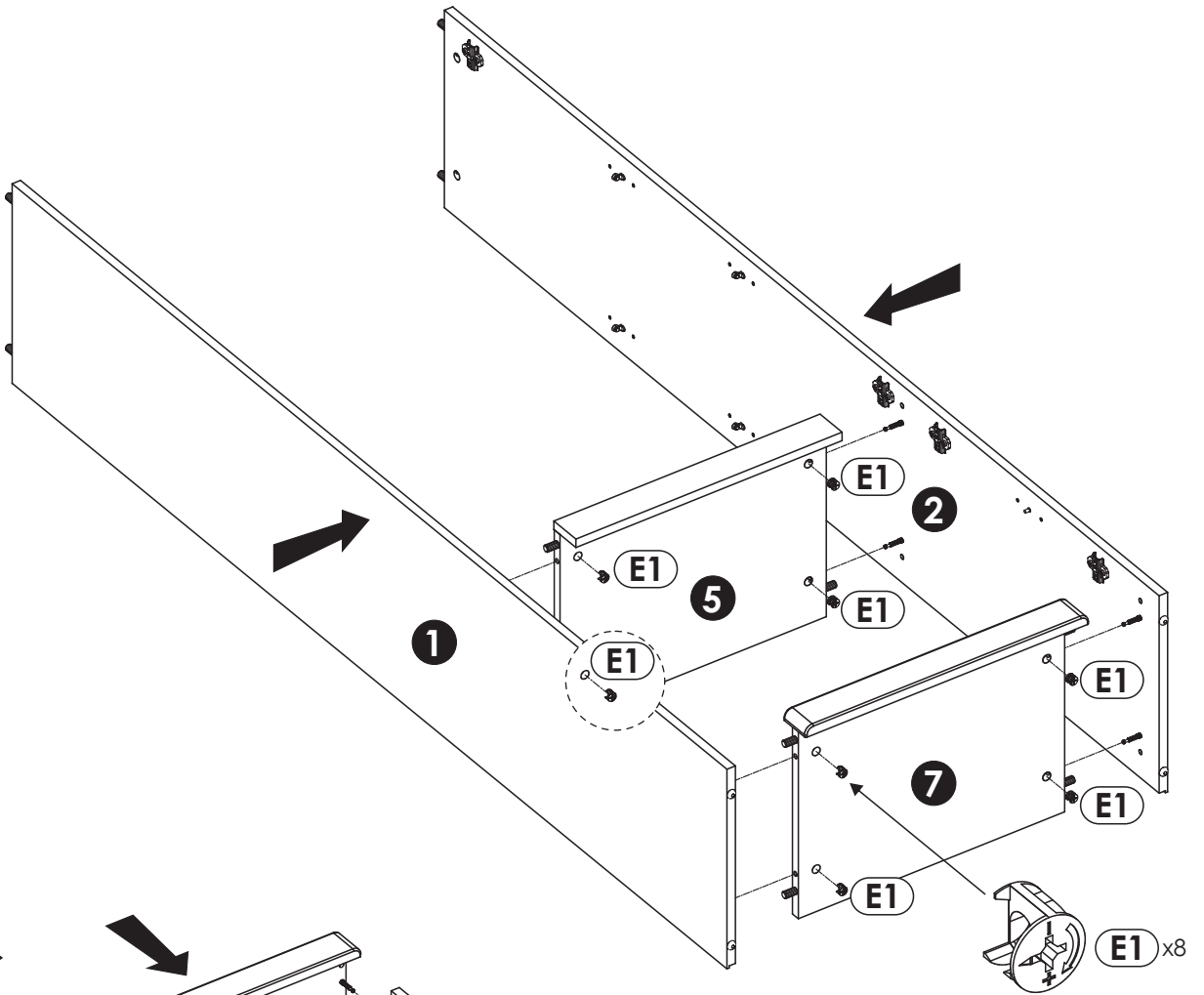
6 ▶



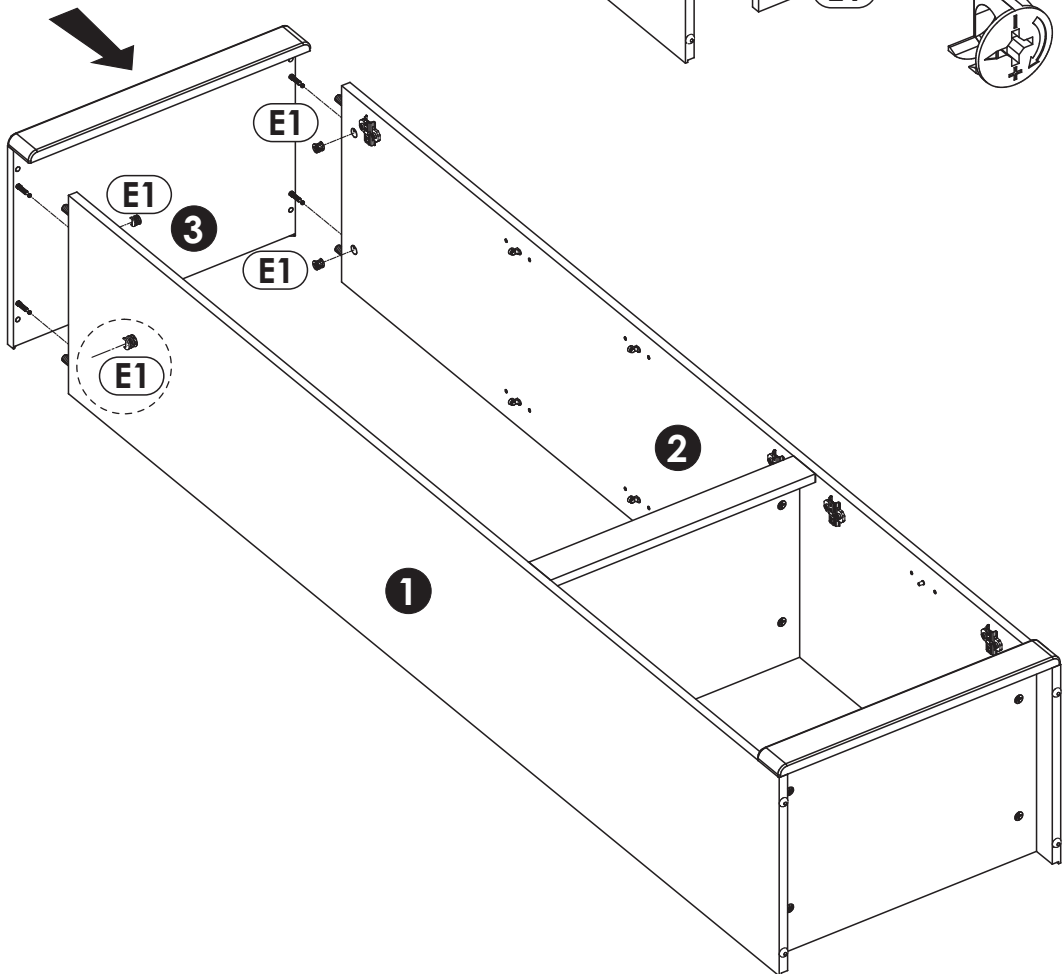
7 ▶



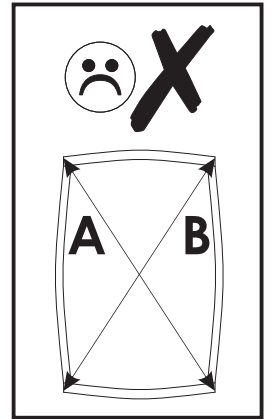
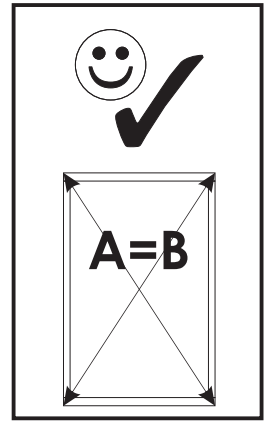
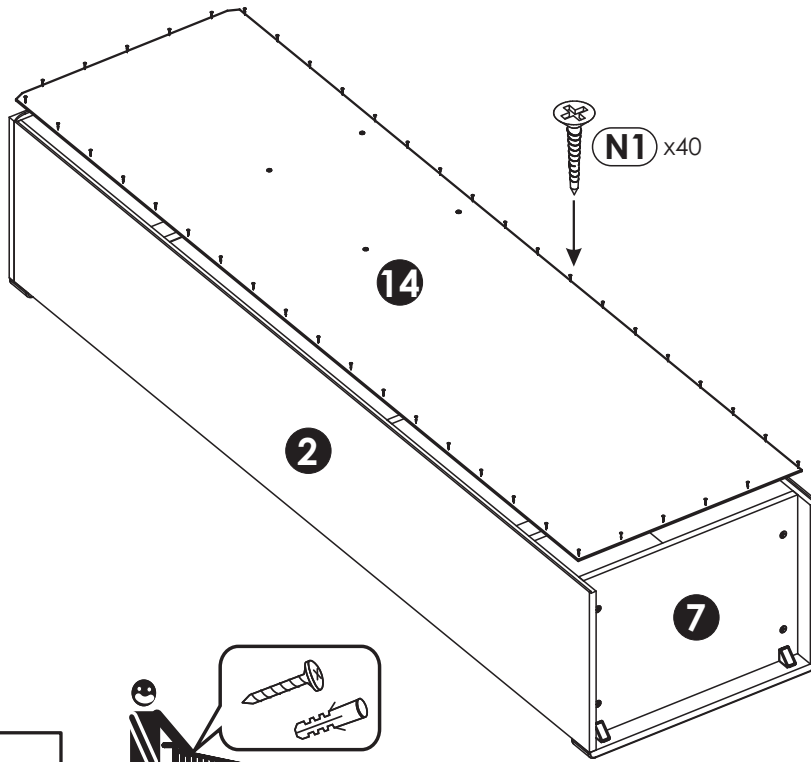
8 ▶



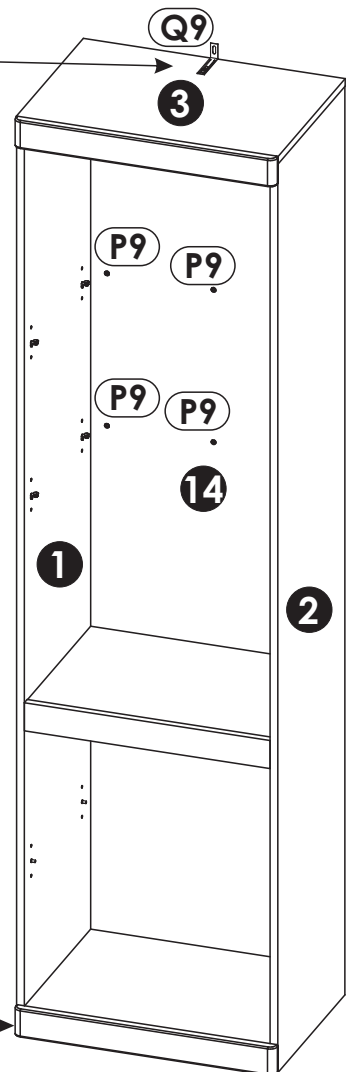
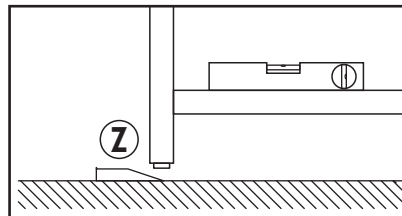
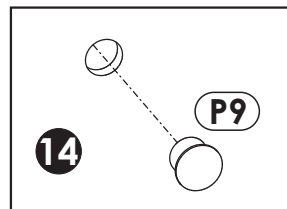
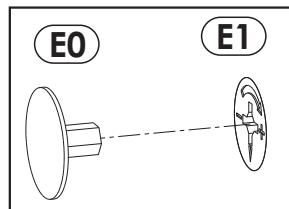
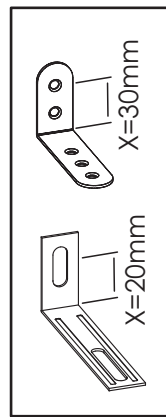
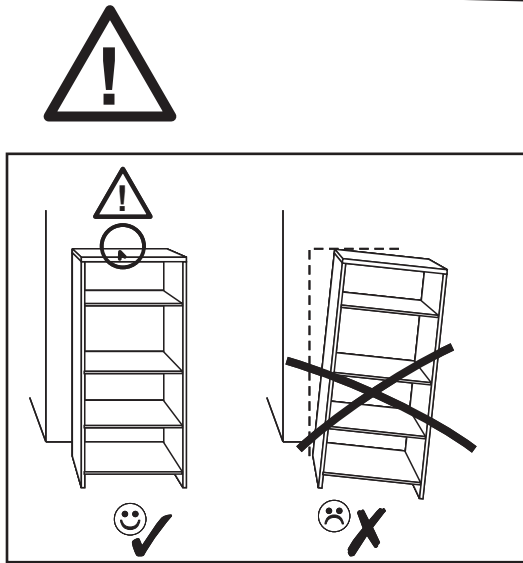
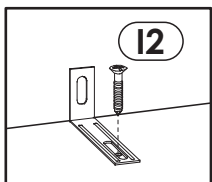
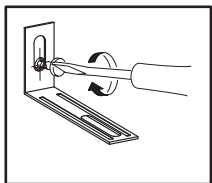
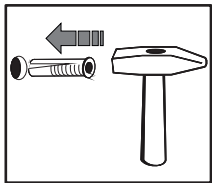
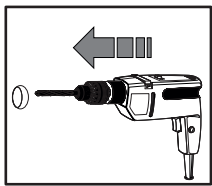
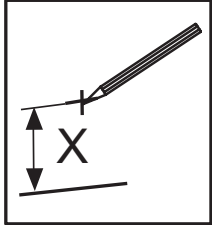
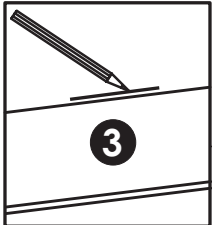
9 ▶



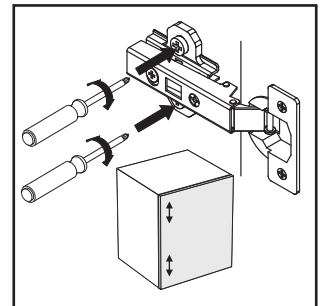
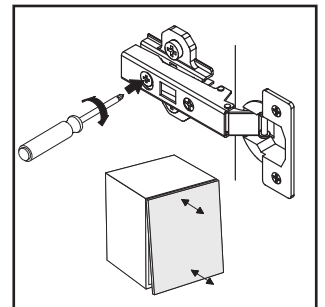
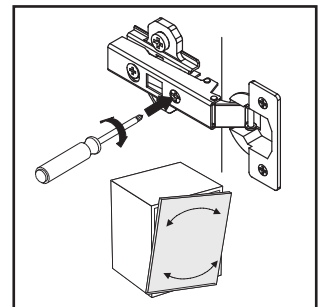
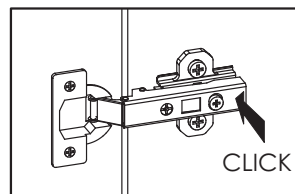
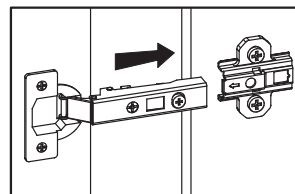
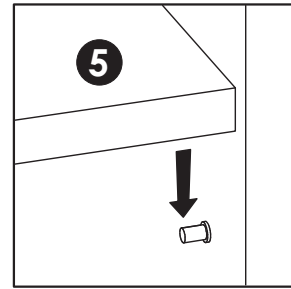
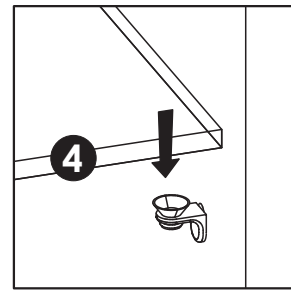
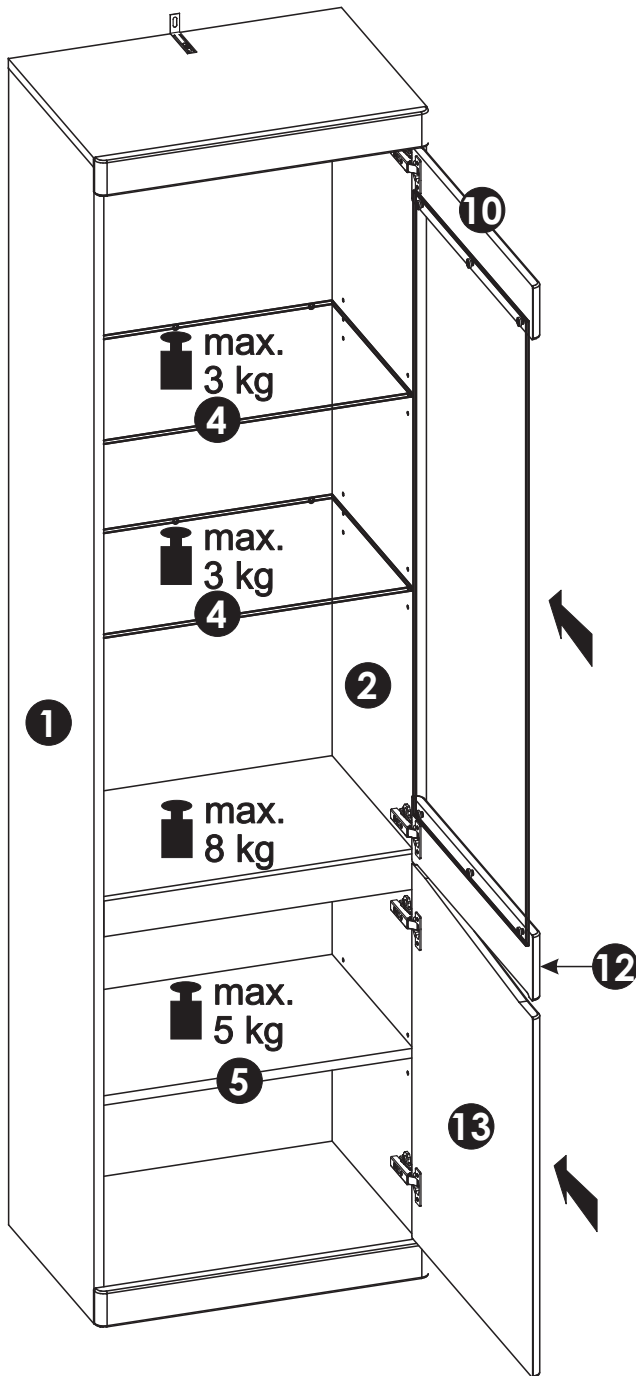
10 ▶

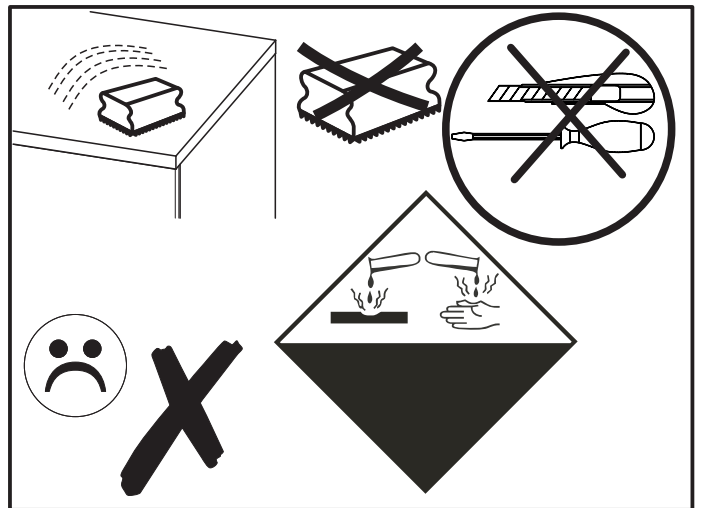
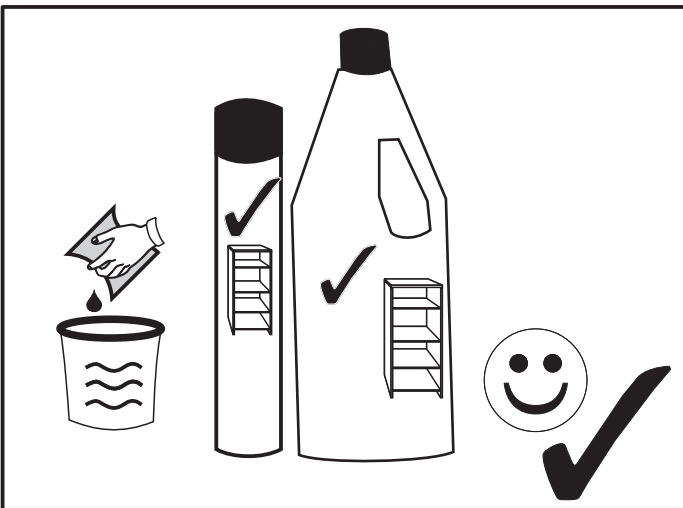
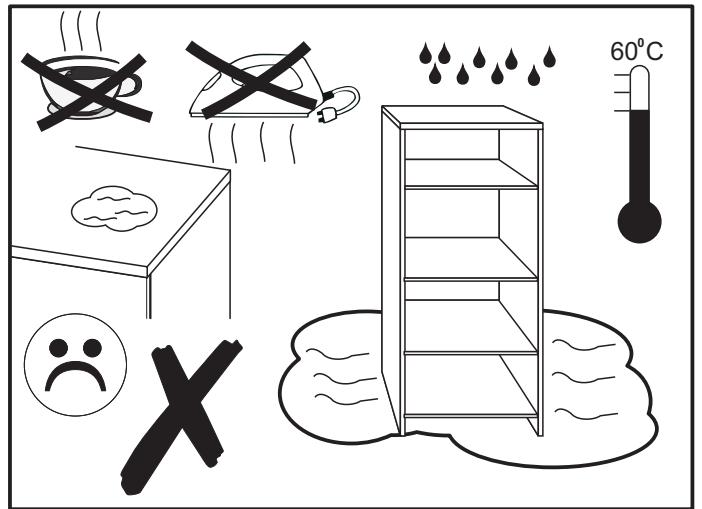
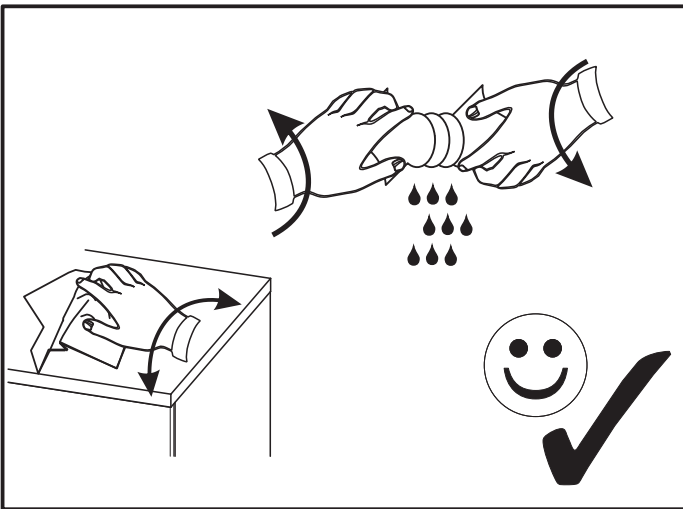
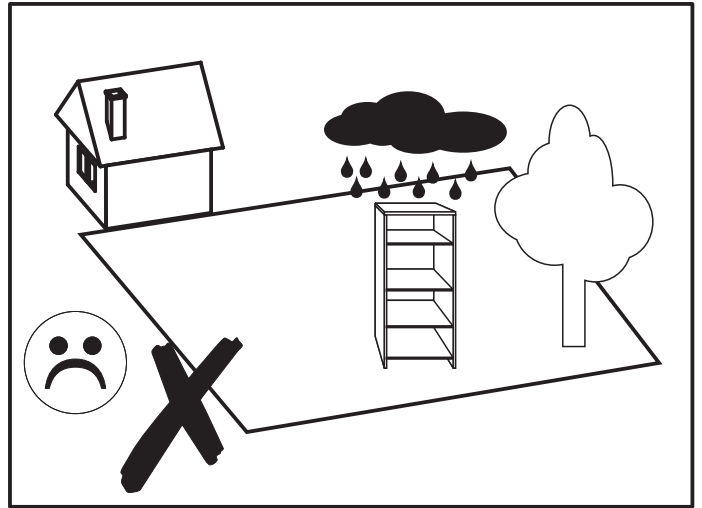
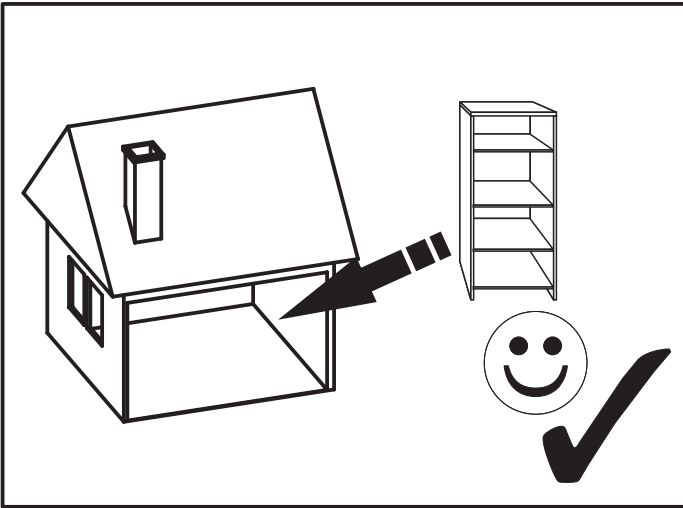


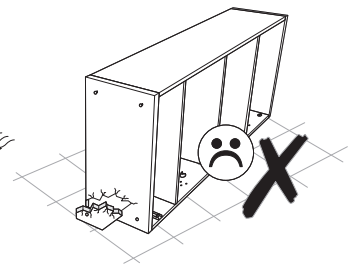
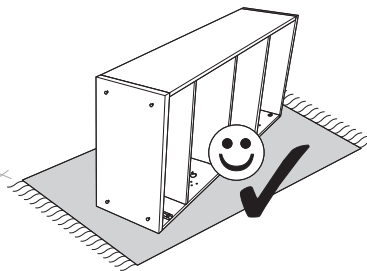
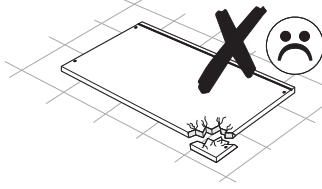
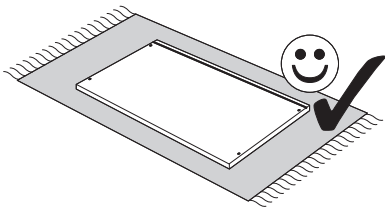
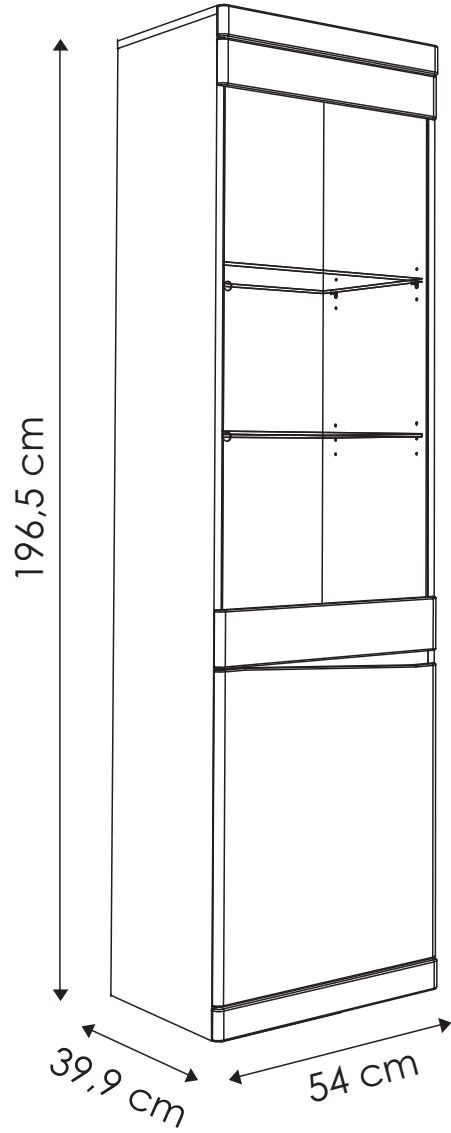
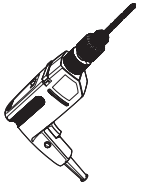
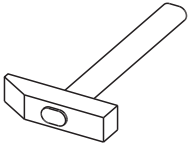
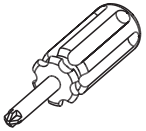
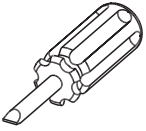
11 ▶

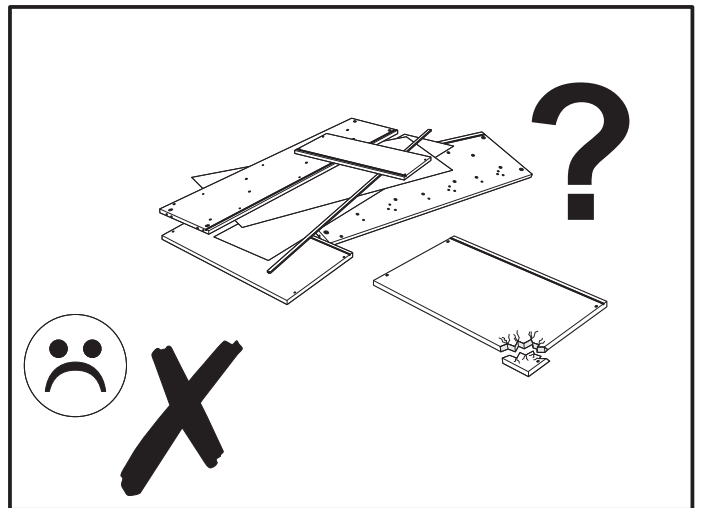
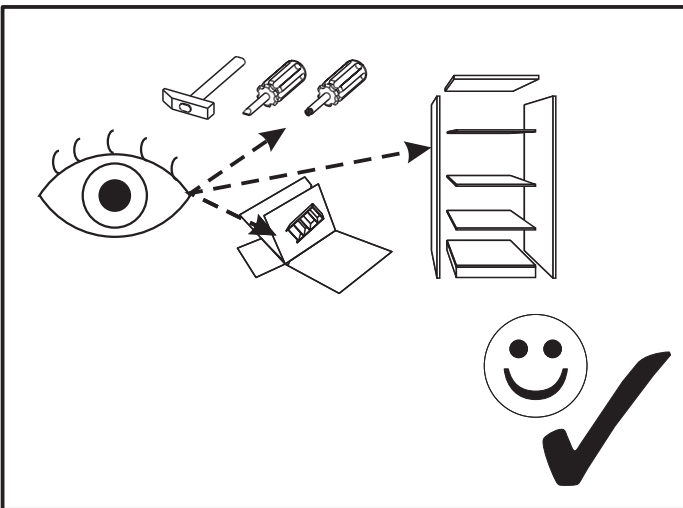
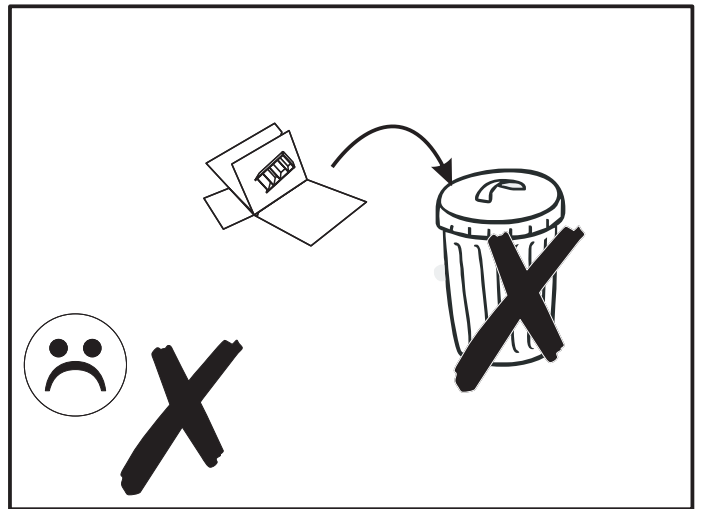
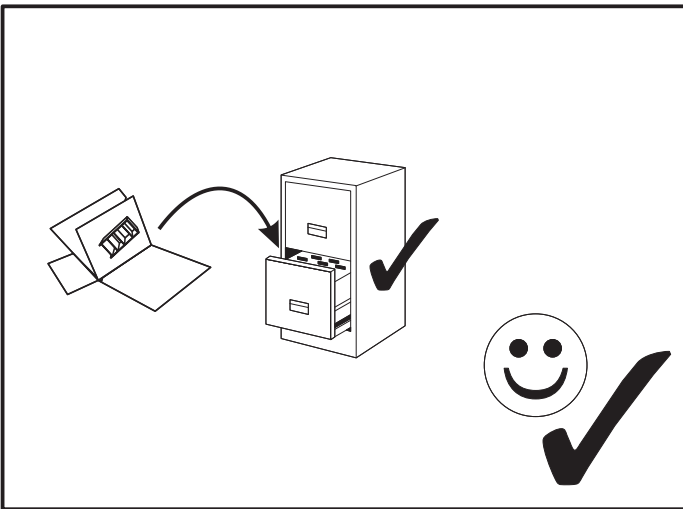
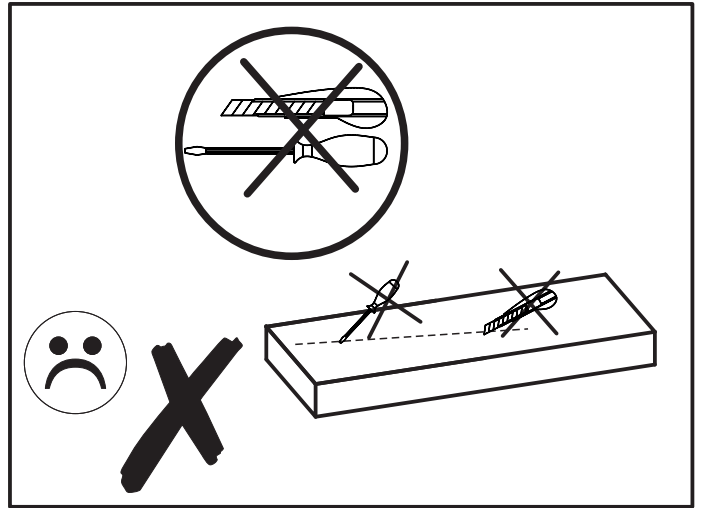
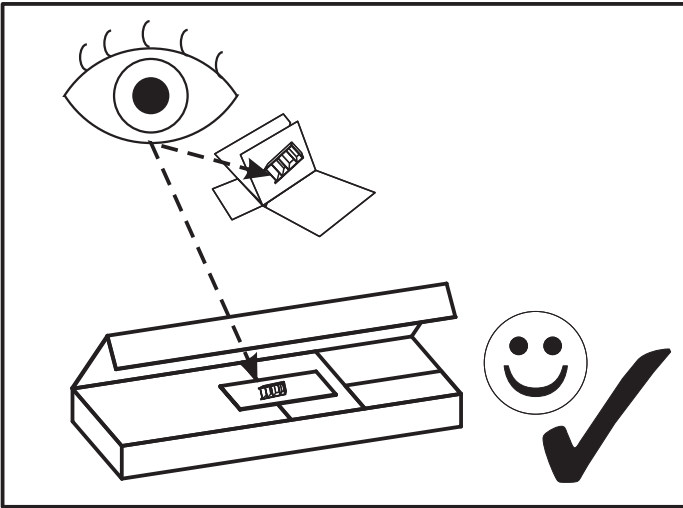












MM

260

250

240

230

220

210

200

190

180

170

160

150

140

130

120

110

100

90

80

70

60

50


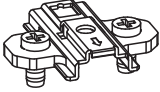
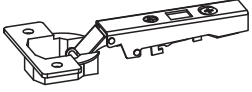

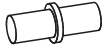





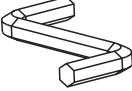


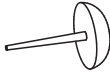


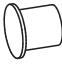

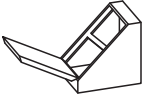
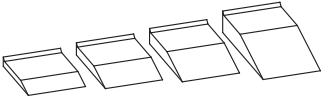
40

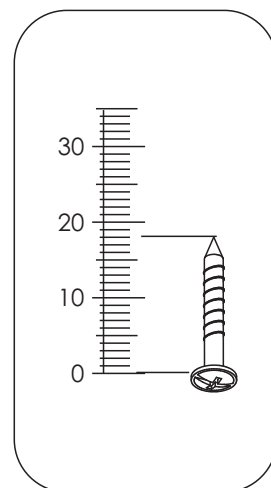
30

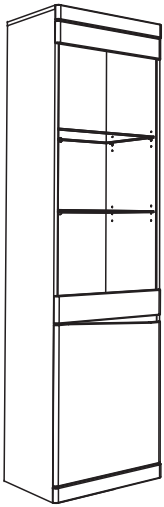
20

10

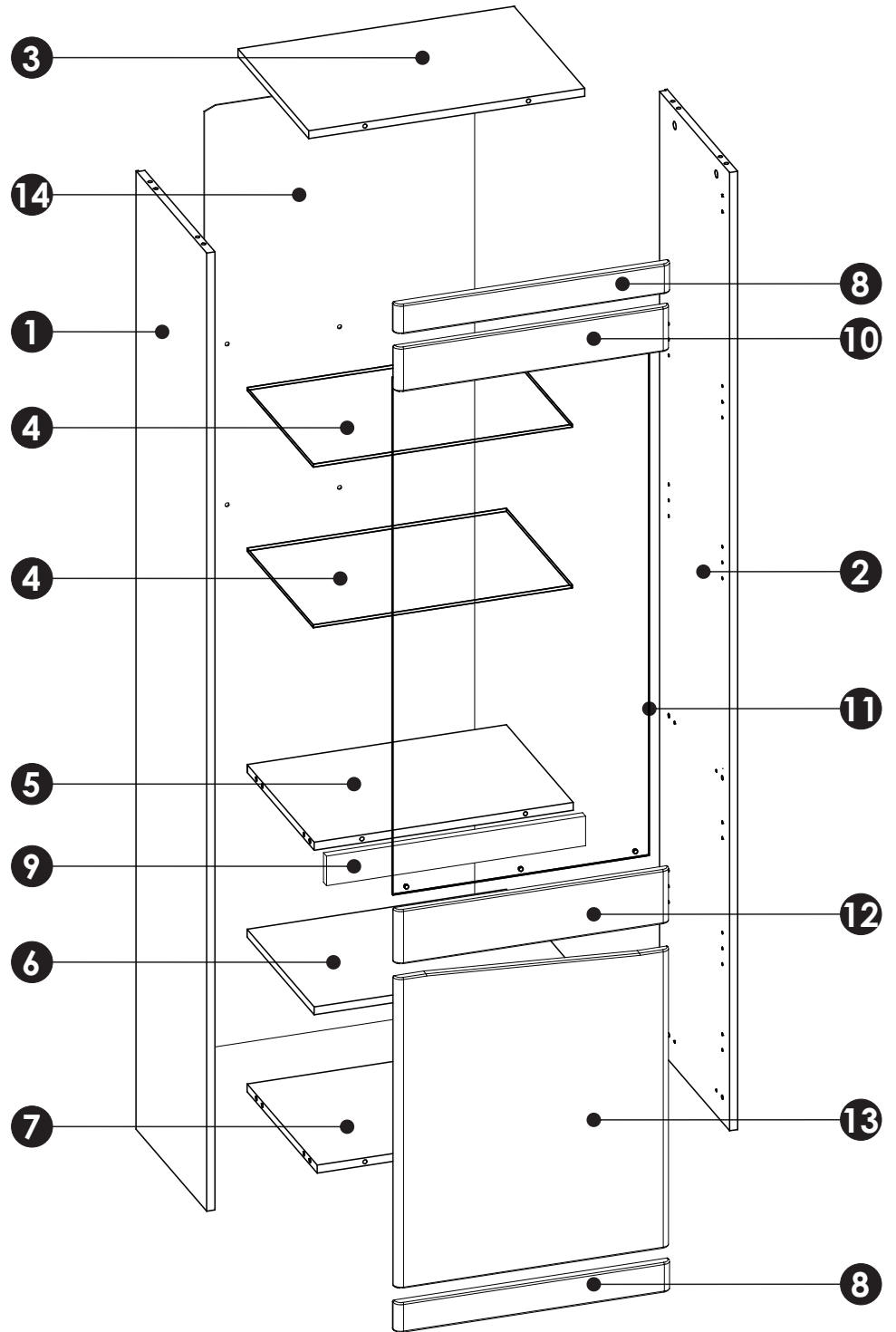
0

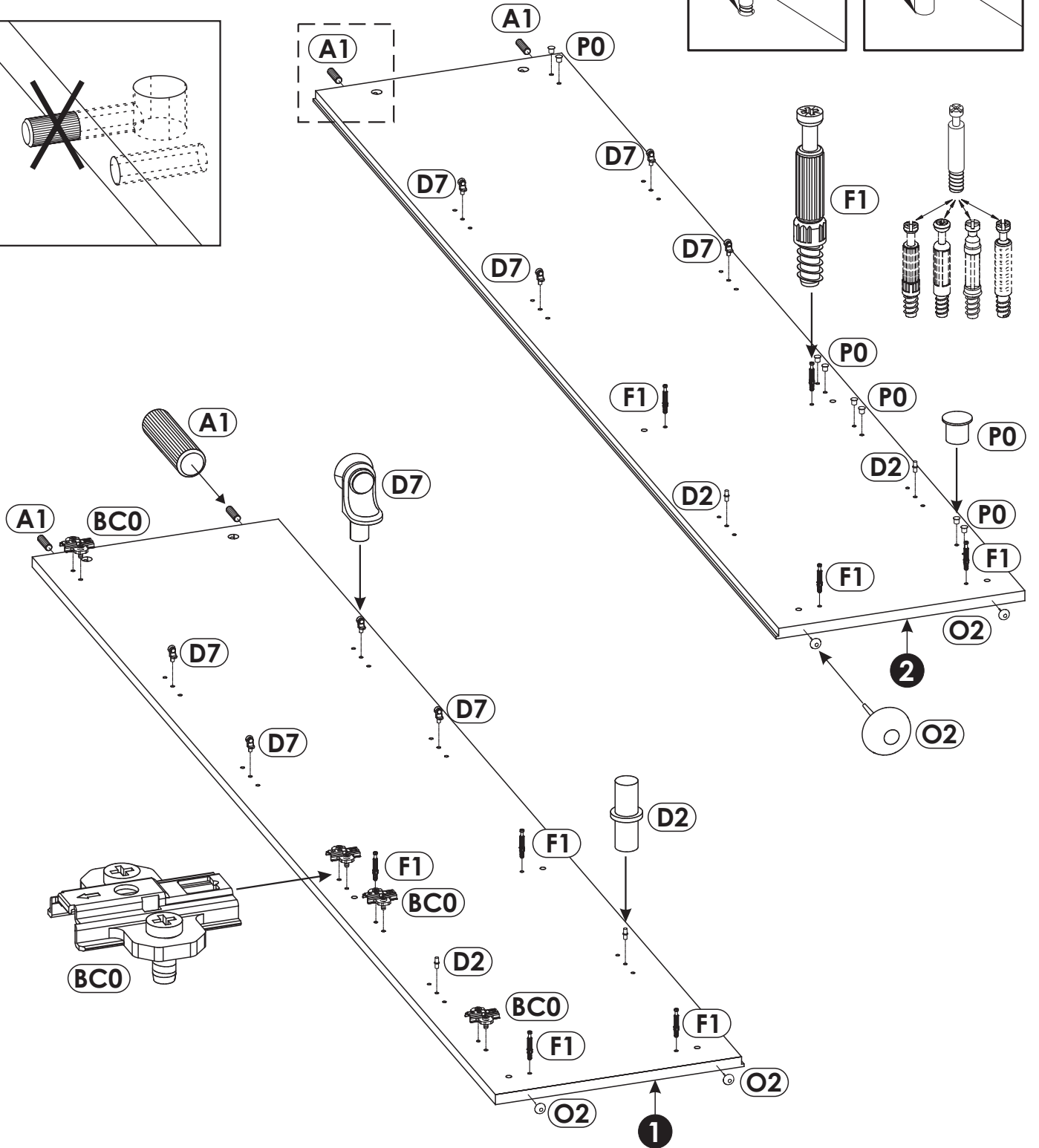
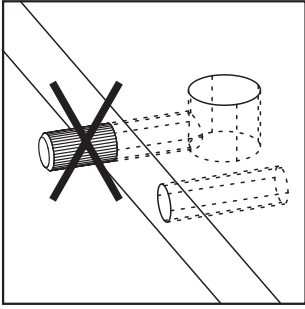
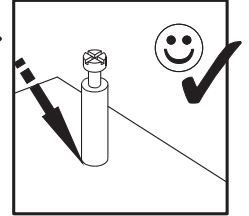
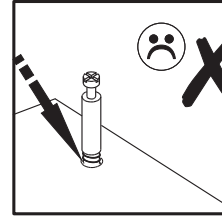
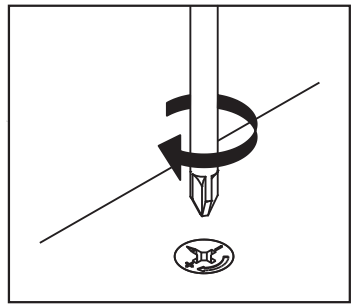
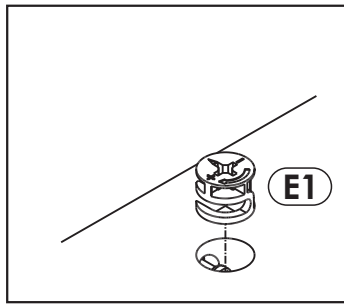
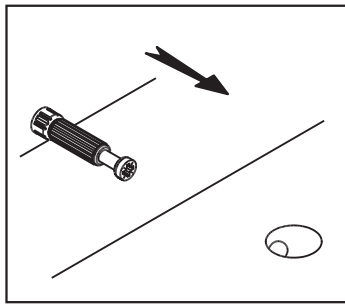
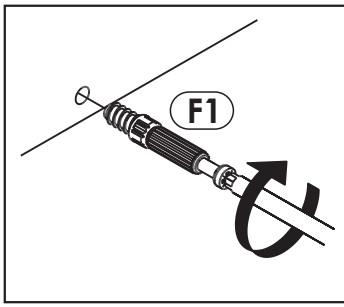
<b>A1</b> x 18 $\varnothing$ 8 x 35 mm 	<b>BC0</b> x 4 	<b>BC1</b> x 4 
<b>C1</b> x 8 EURO 4 x 13 mm 	<b>D2</b> x 4 	<b>D7</b> x 8 
<b>E0</b> x 12 	<b>E1</b> x 12 $\varnothing$ 15 x 12 mm 	<b>F1</b> x 12 
<b>I2</b> x 7 4 x 16 mm 	<b>M</b> x 1 	<b>N1</b> x 40 3 x 16 mm 
<b>N2</b> x 12 3,5 x 16 mm 	<b>O2</b> x 4 	<b>Q9</b> x 1 
<b>P0</b> x 8 $\varnothing$ 5 	<b>P9</b> x 4 $\varnothing$ 8 	<b>R3</b> x 6 
<b>W</b> x 6 	<b>Z</b> x 1 	



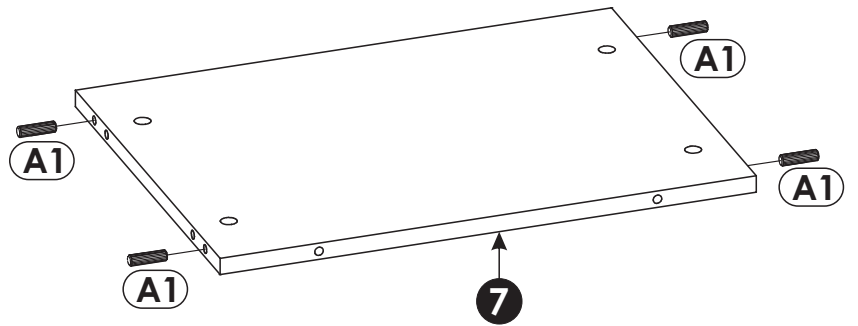
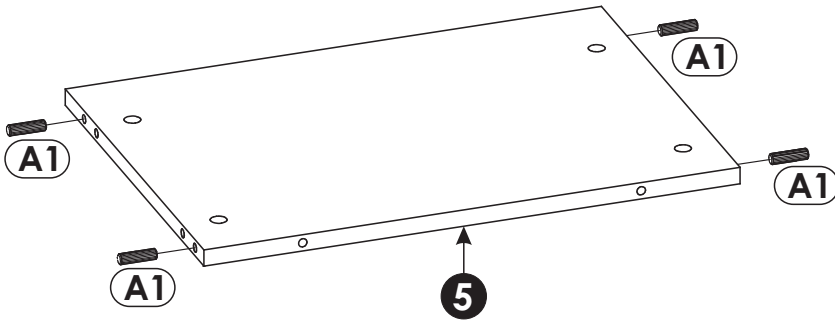
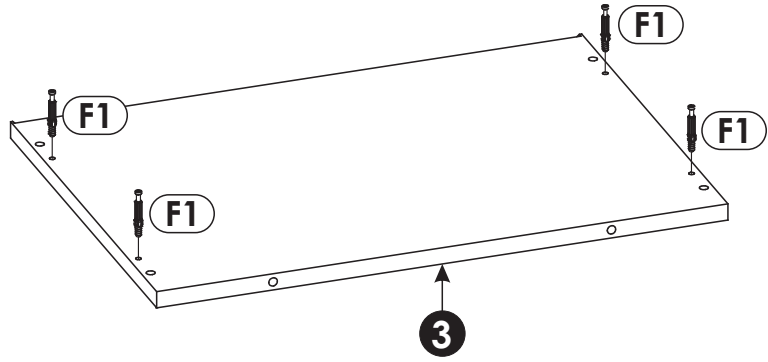


<b>1</b>	1944	380	16 x1	2/2
<b>2</b>	1944	380	16 x1	2/2
<b>3</b>	540	380	16 x1	1/2
<b>4</b>	506	335	6 x2	1/2
<b>5</b>	507	359	16 x1	1/2
<b>6</b>	507	360	16 x1	1/2
<b>7</b>	507	376	16 x1	1/2
<b>8</b>	540	60	19 x2	1/2
<b>9</b>	507	60	16 x1	1/2
<b>10</b>	538	90	16 x1	1/2
<b>11</b>	1049	502	4 x1	2/2
<b>12</b>	538	110	16 x1	1/2
<b>13</b>	538	630	16 x1	1/2
<b>14</b>	1910	529	3 x1	2/2

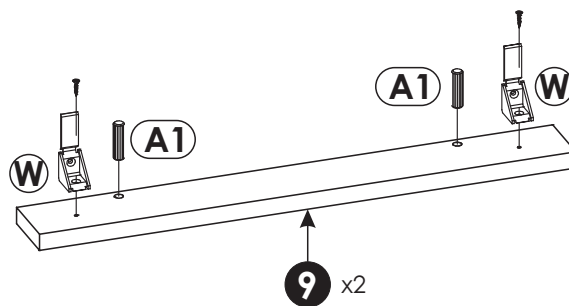
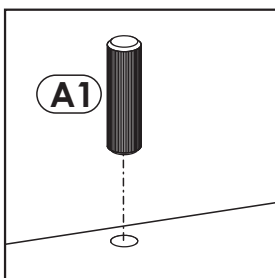
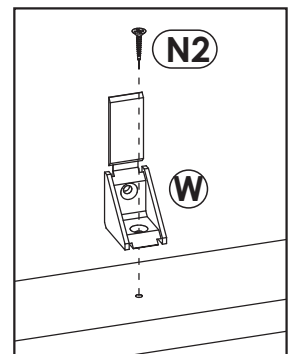
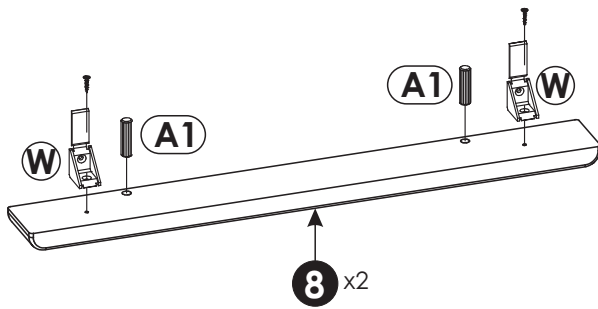




2 ▶

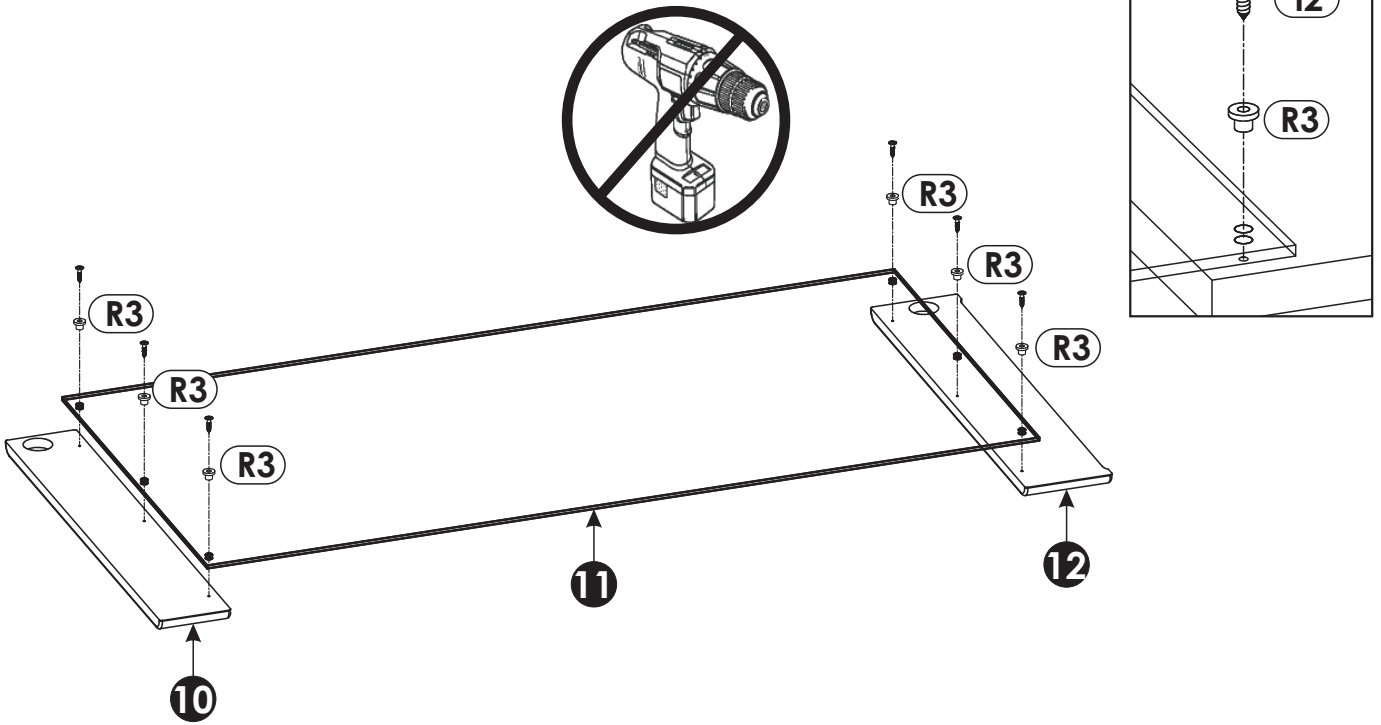


3 ▶

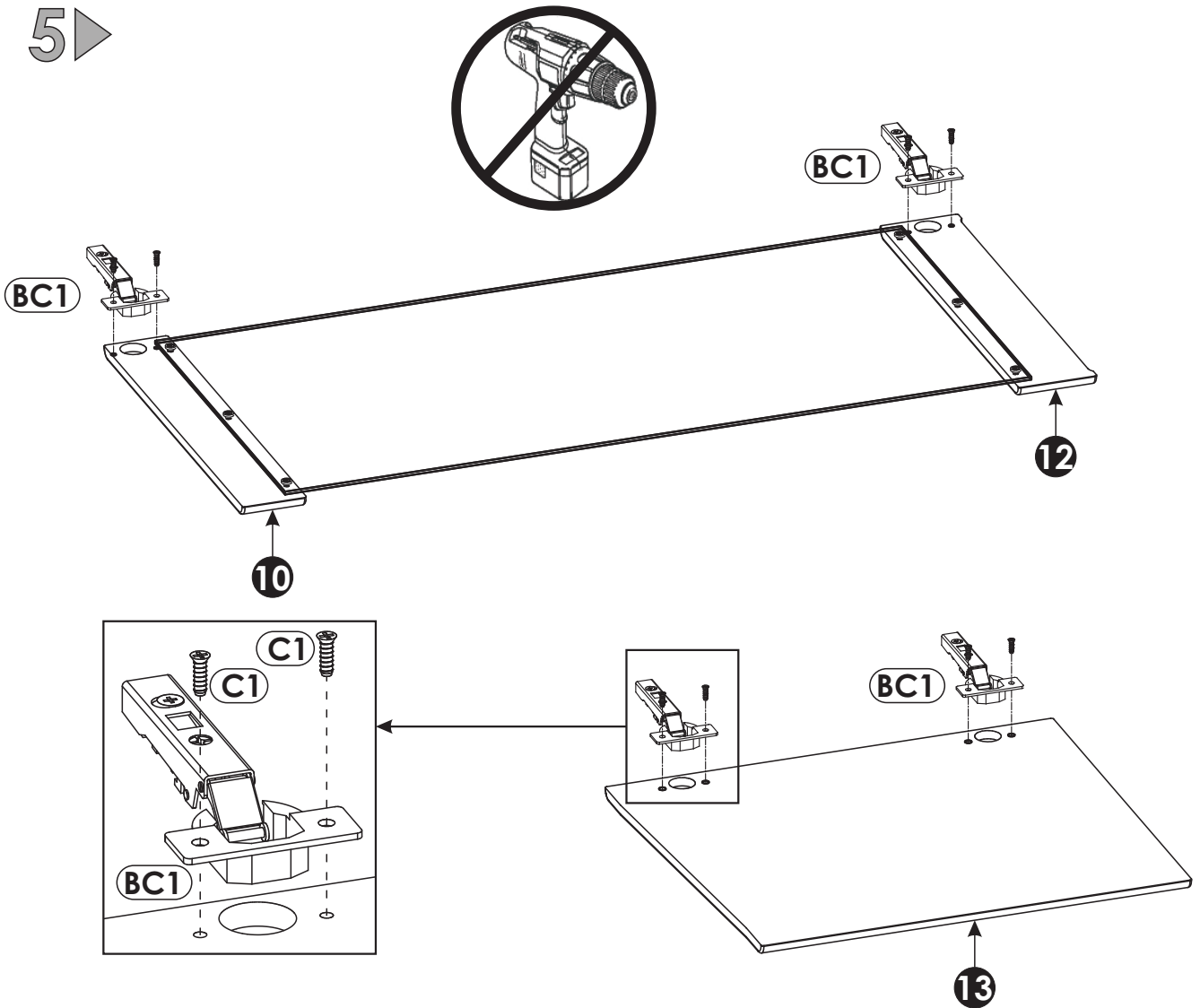




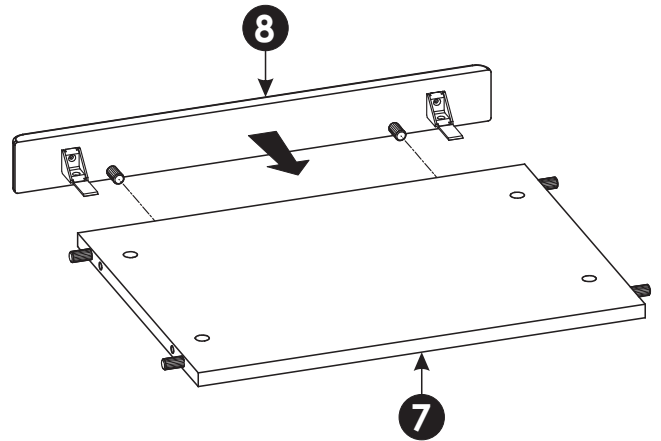
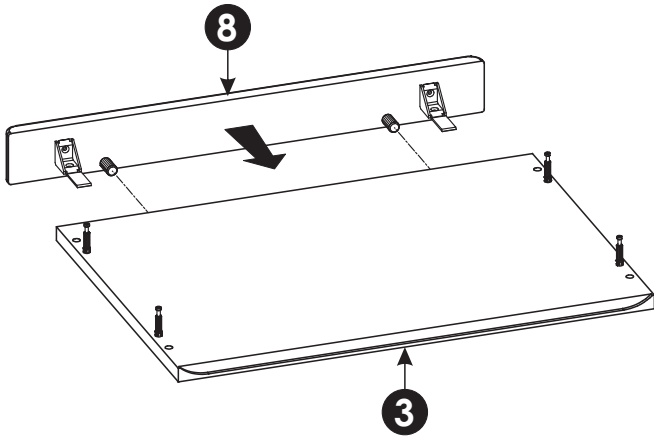
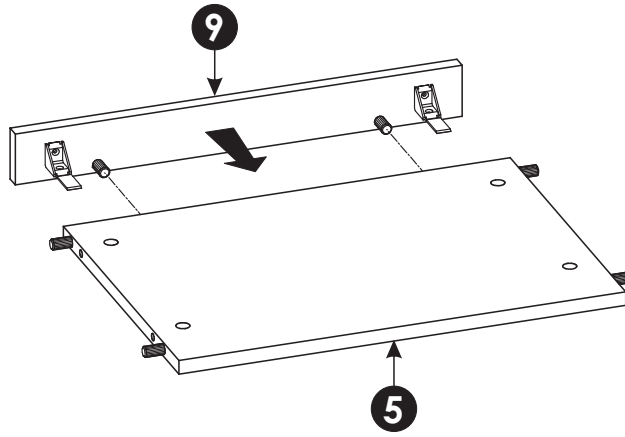
4 ▶



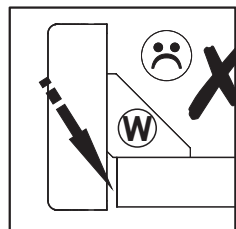
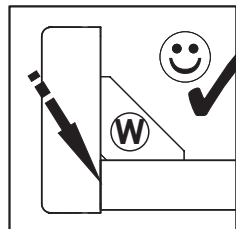
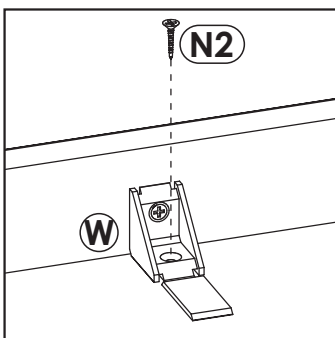
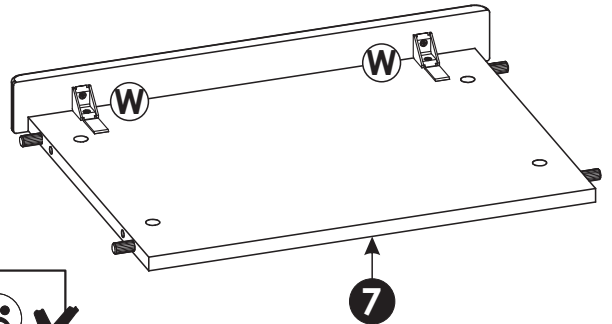
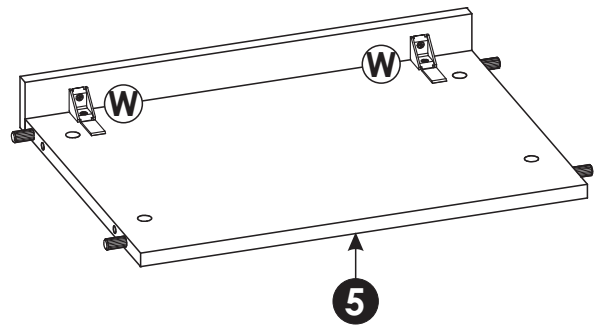
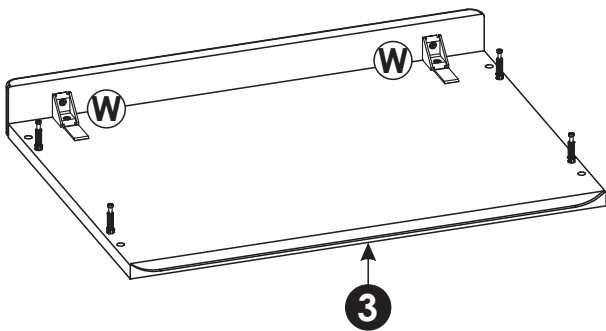
5 ▶



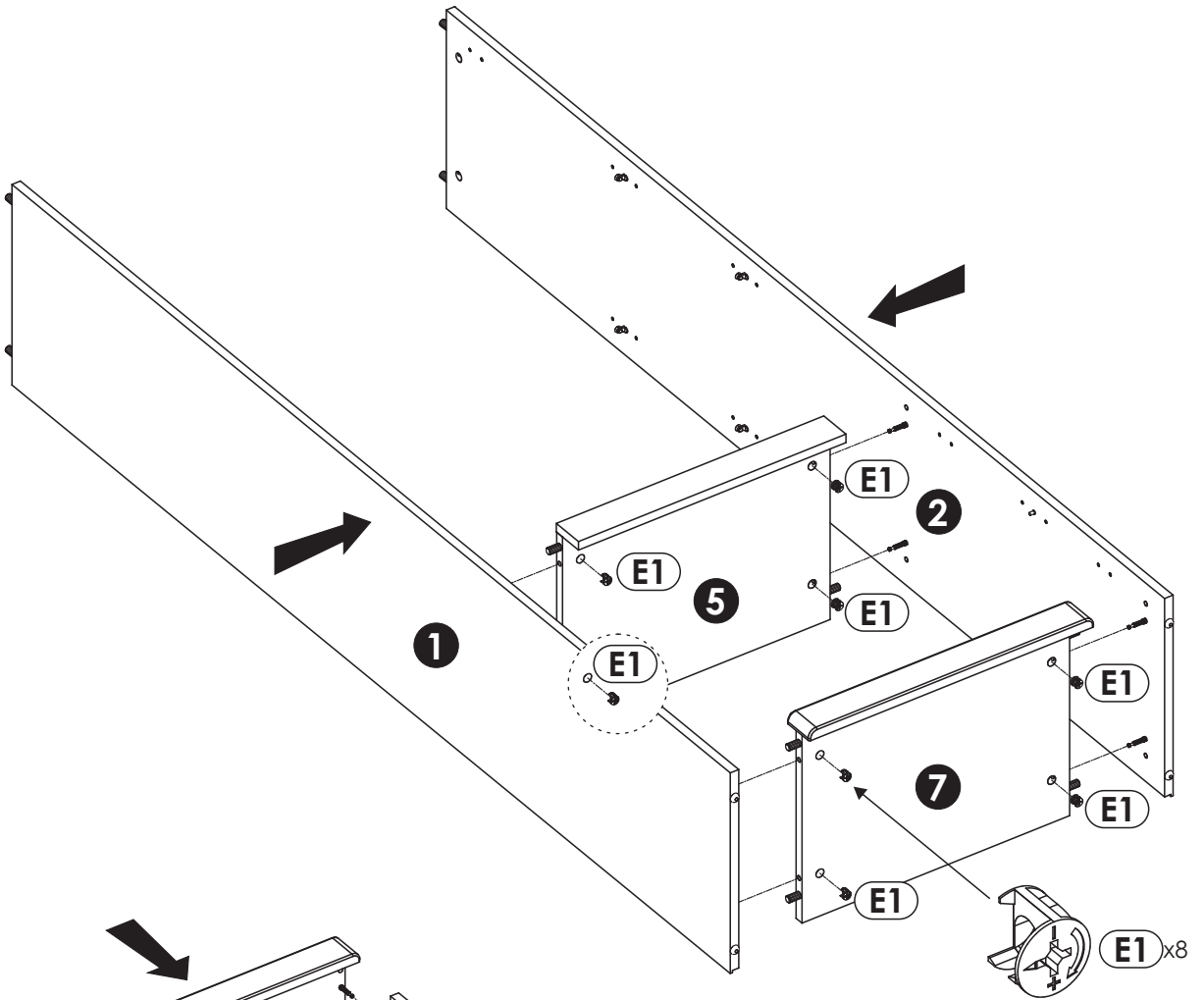
6 ▶



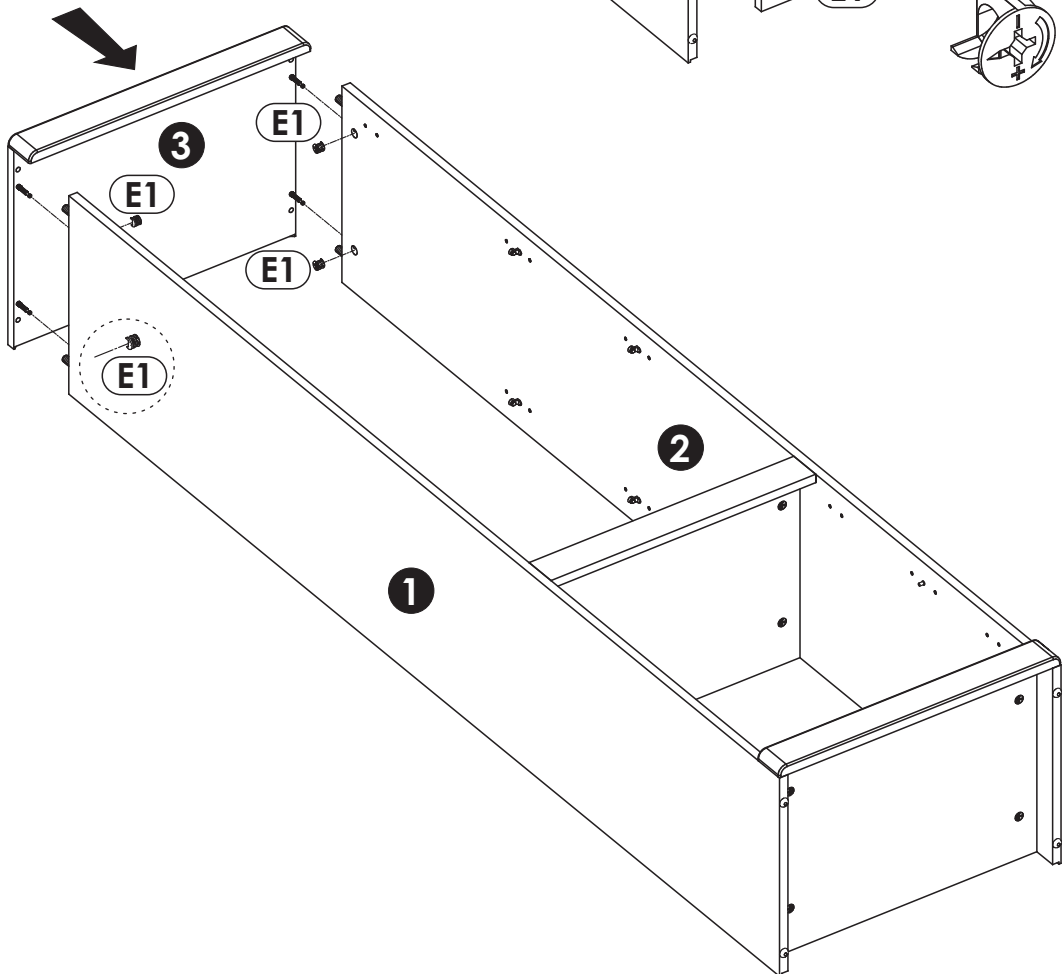
7 ▶



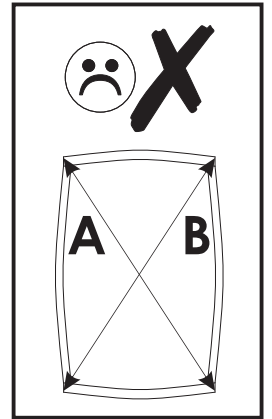
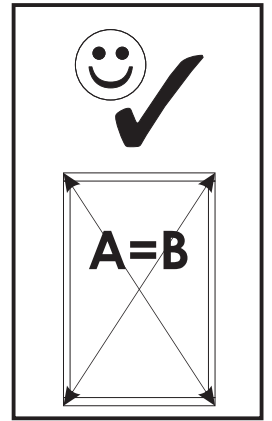
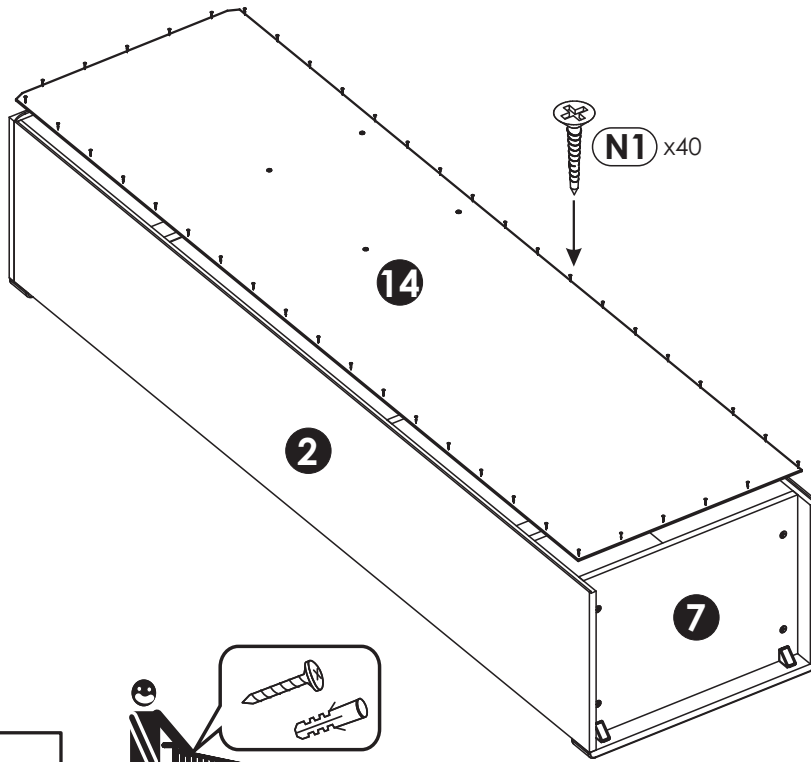
8 ▶



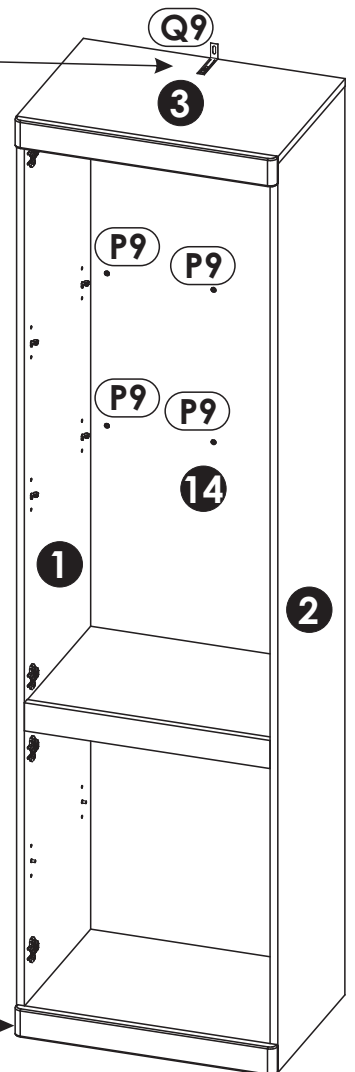
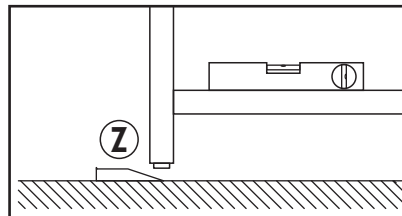
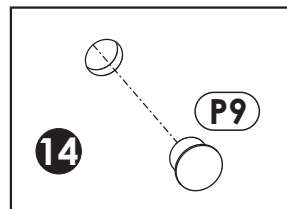
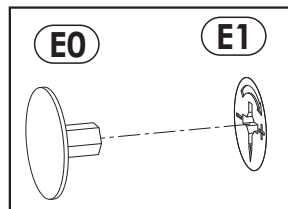
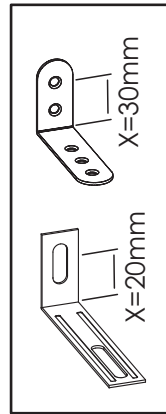
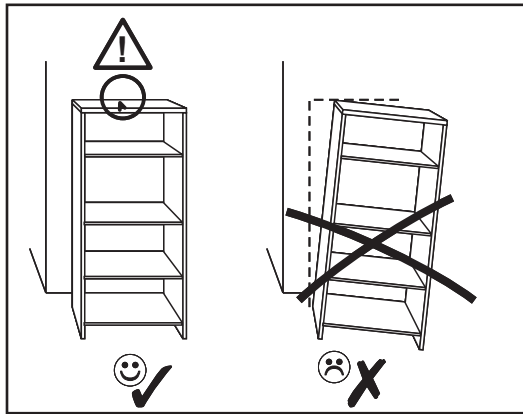
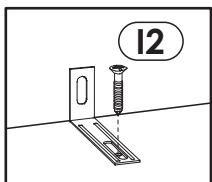
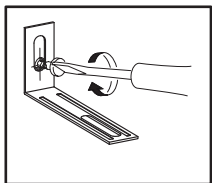
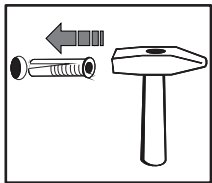
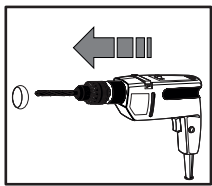
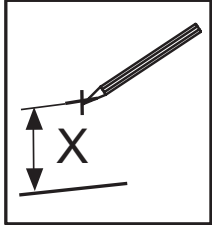
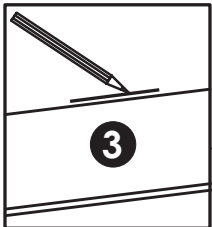
9 ▶

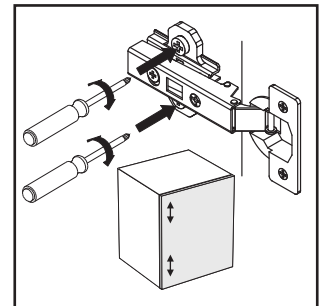
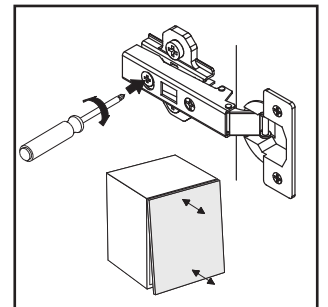
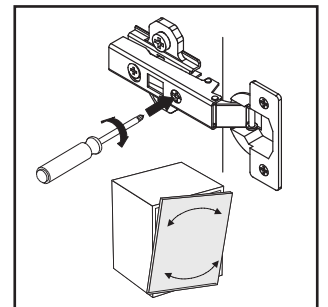
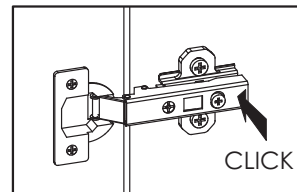
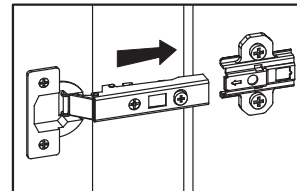
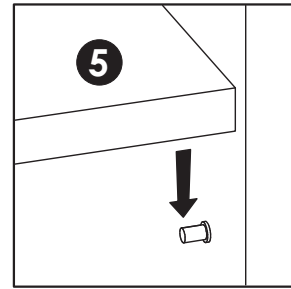
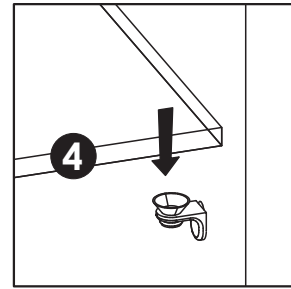
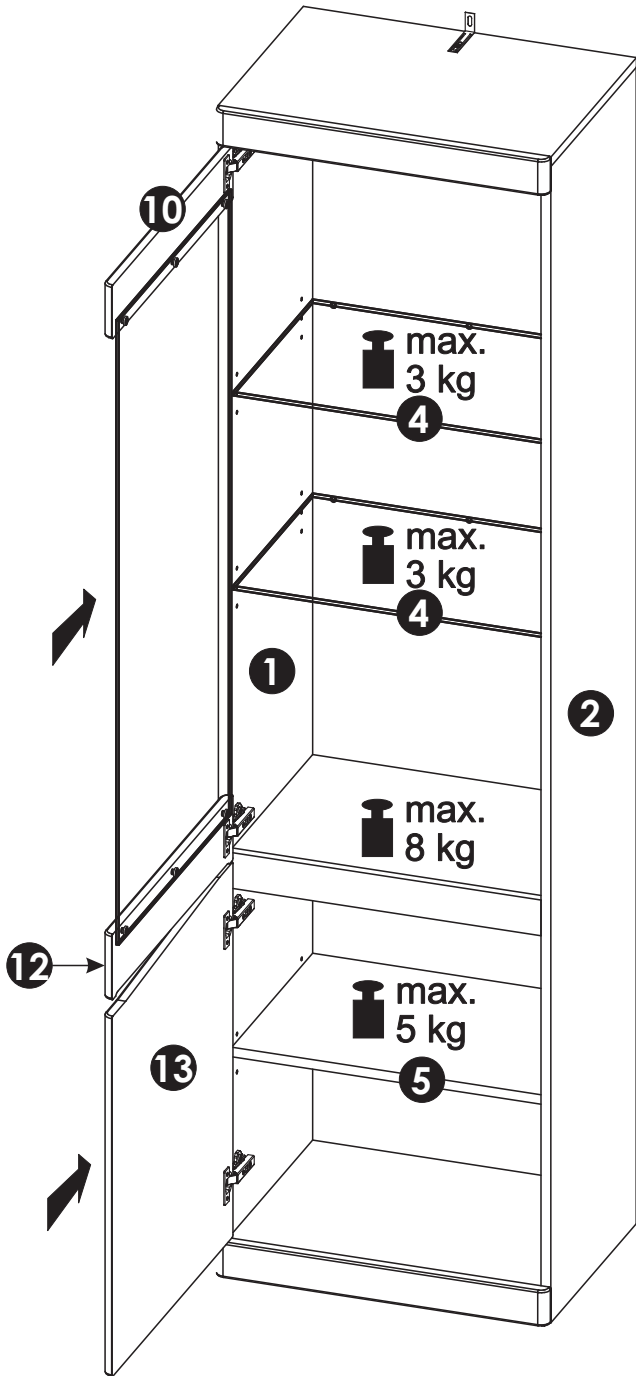


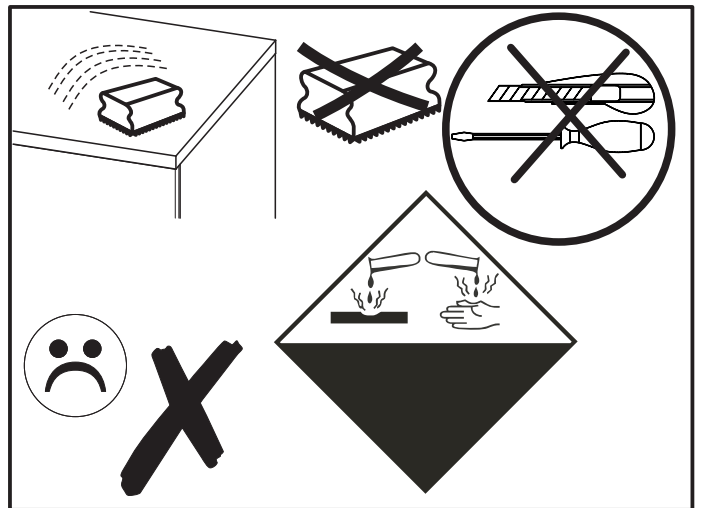
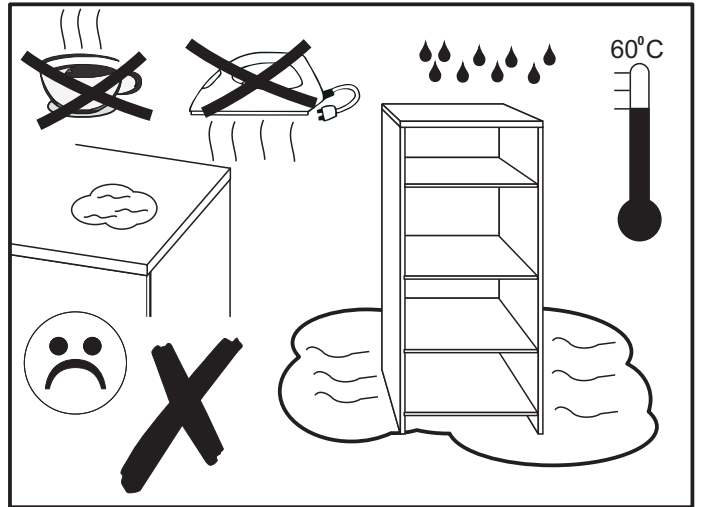
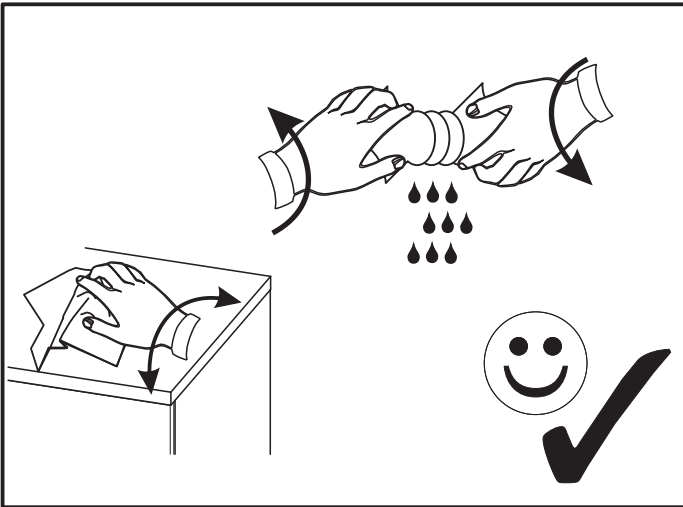
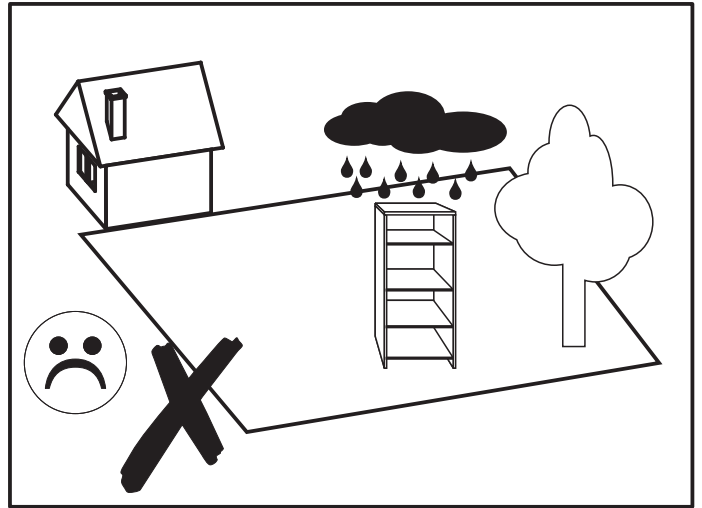
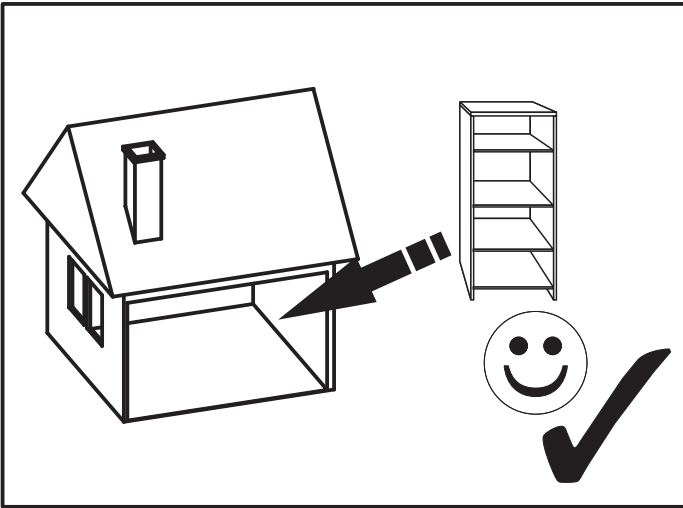
10 ▶

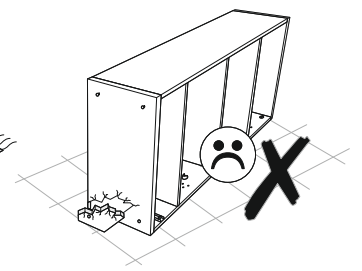
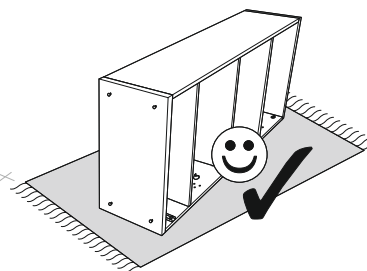
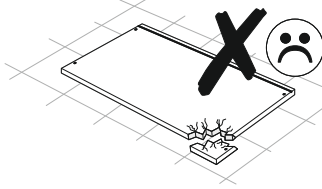
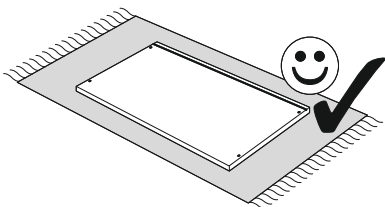
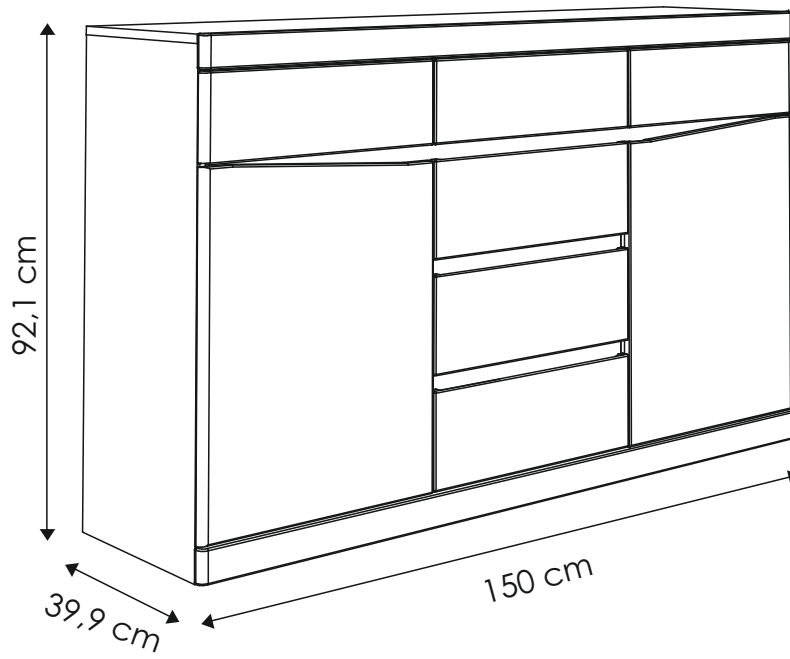
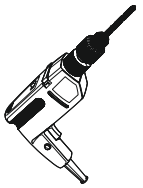
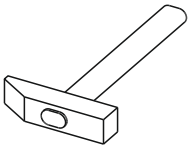
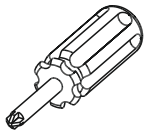
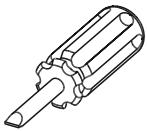
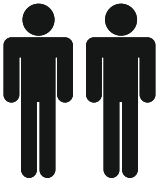


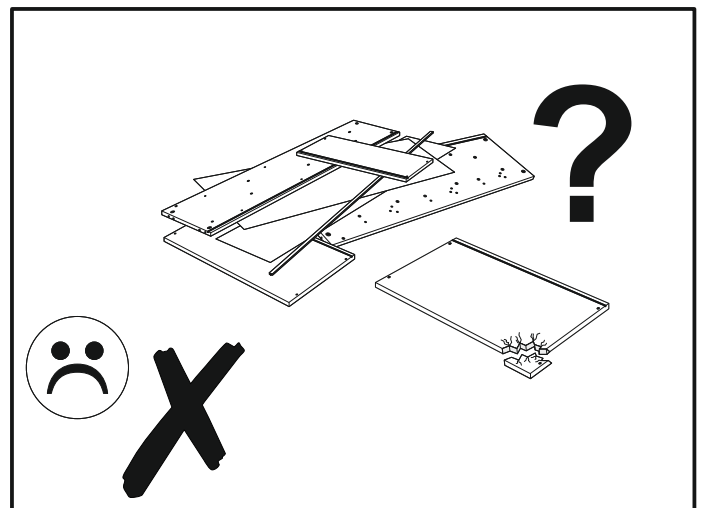
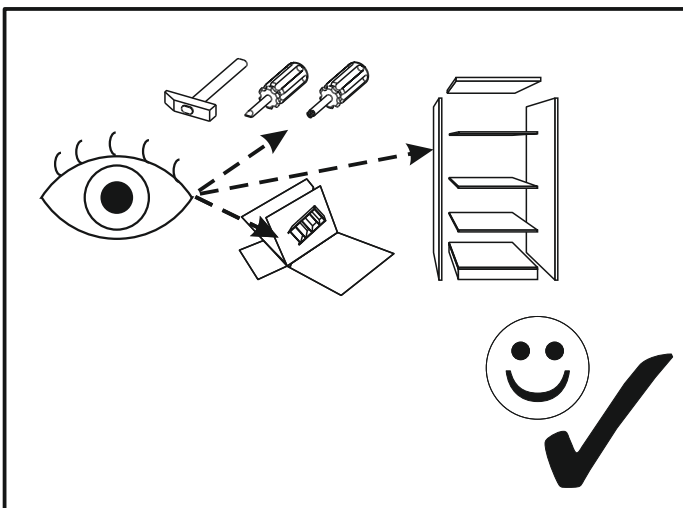
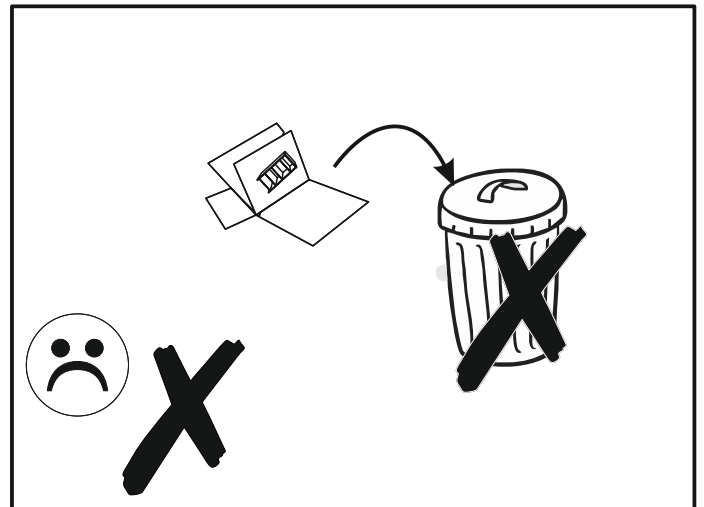
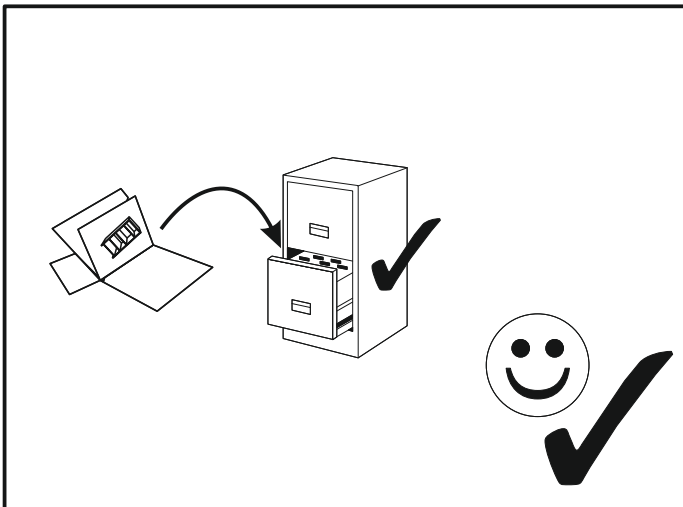
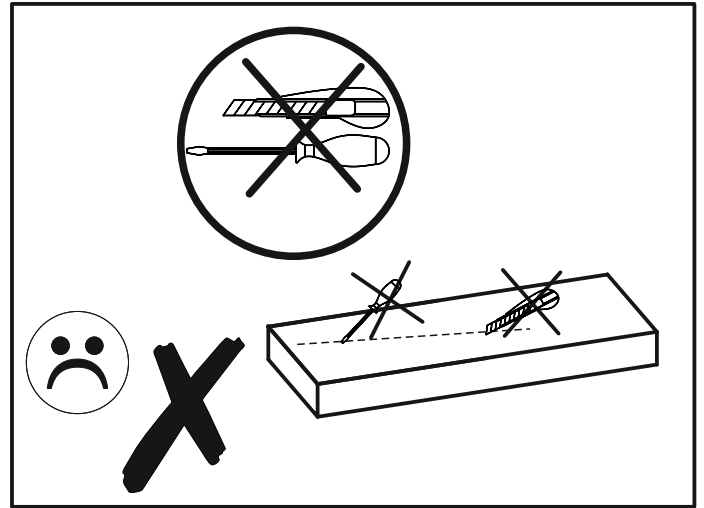
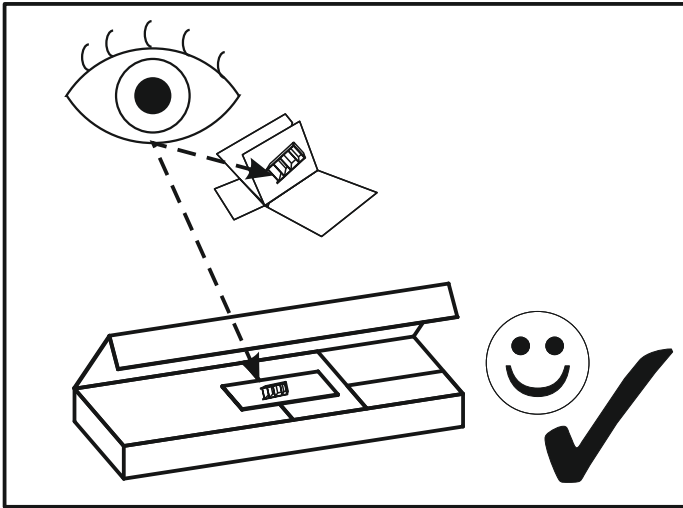
11 ▶



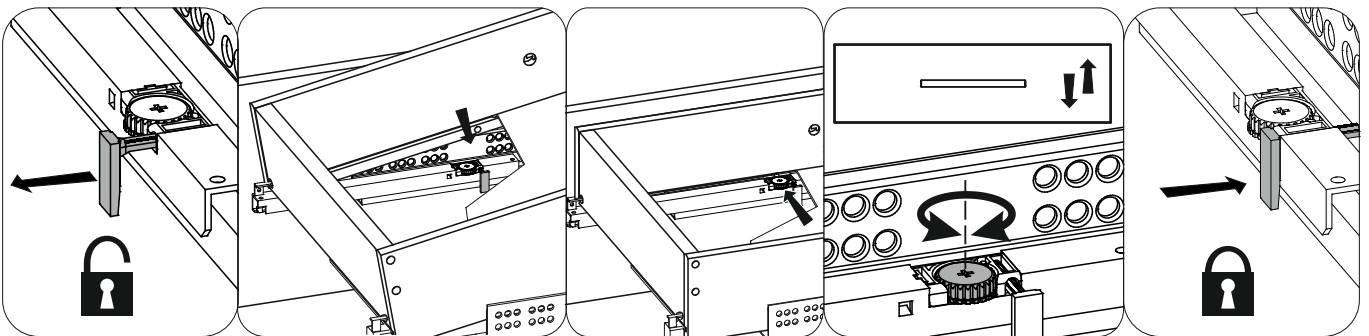
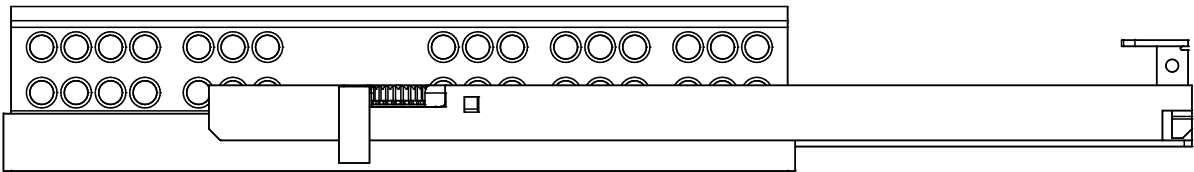
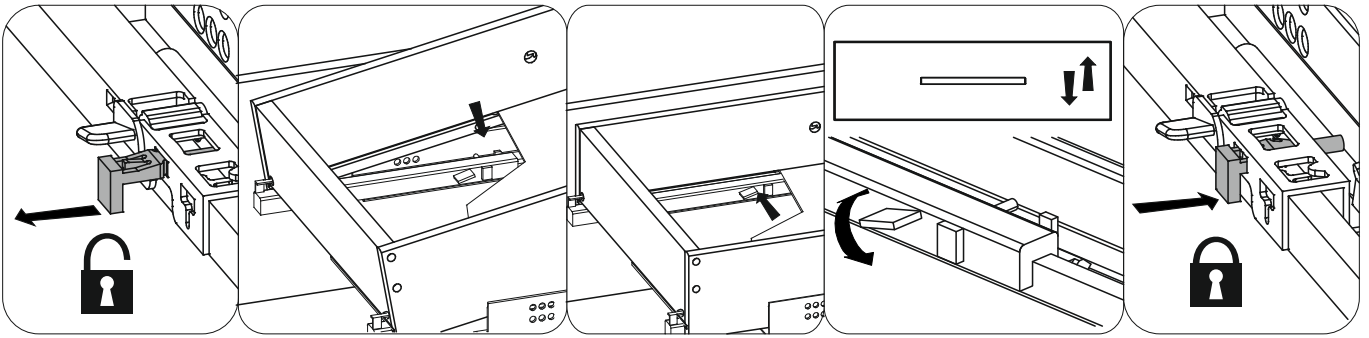
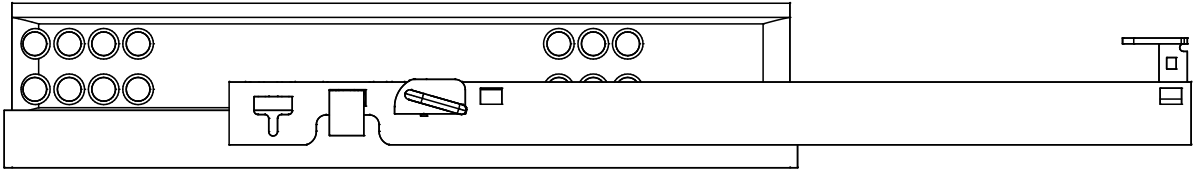
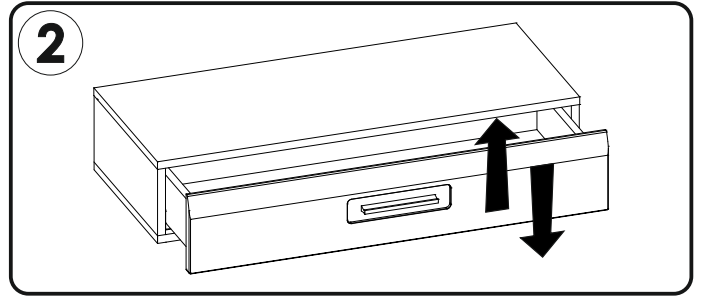
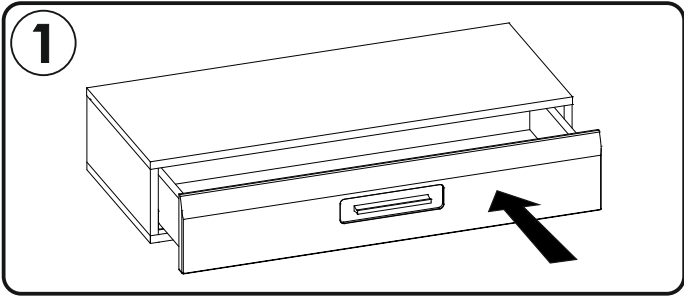




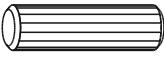
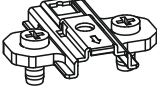
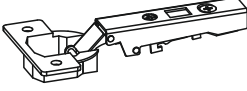


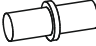
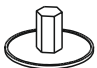





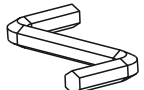


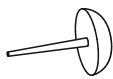

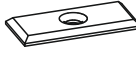
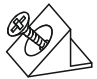
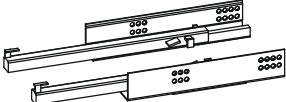
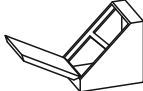
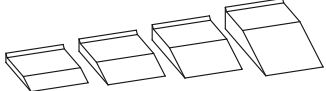


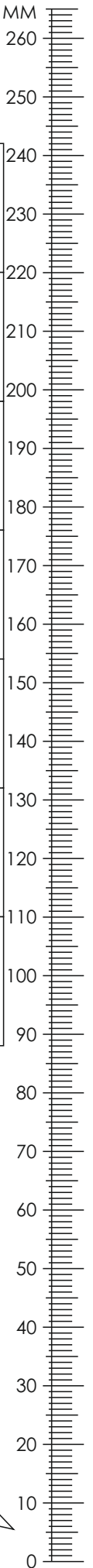
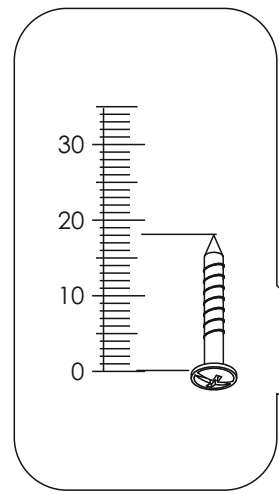






MM

<p><b>A1</b> x 66 <math>\varnothing</math>8 x 35 mm</p> 	<p><b>BC0</b> x 4</p> 	<p><b>BC1</b> x 4</p> 
<p><b>C1</b> x 8 EURO 4 x 13 mm</p> 	<p><b>C2</b> x 24 EURO 5 x 13 mm</p> 	<p><b>D2</b> x 8</p> 
<p><b>E0</b> x 32</p> 	<p><b>E1</b> x 32 <math>\varnothing</math>15 x 12 mm</p> 	<p><b>F1</b> x 32</p> 
<p><b>G0</b> x 20</p> 	<p><b>G1</b> x 20 <math>\varnothing</math>7 x 50 mm</p> 	<p><b>I2</b> x 2 4 x 16 mm</p> 
<p><b>M</b> x 1</p> 	<p><b>N1</b> x 80 3 x 16 mm</p> 	<p><b>N2</b> x 12 3,5 x 16 mm</p> 
<p><b>O2</b> x 8</p> 	<p><b>Q9</b> x 2</p> 	<p><b>R1</b> x 10</p> 
<p><b>R4</b> x 6</p> 	<p><b>T10</b> x 6 L-360</p> 	<p><b>W</b> x 6</p> 
<p><b>Z</b> x 1</p> 		

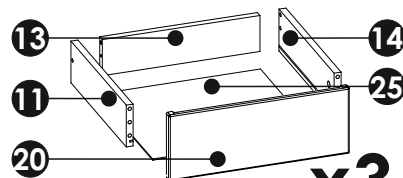
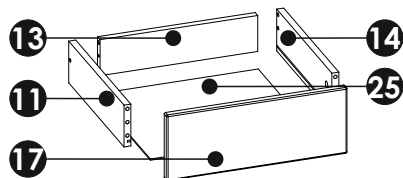
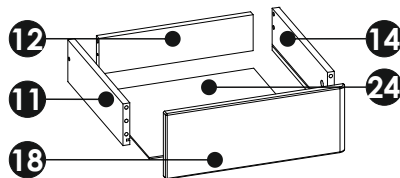
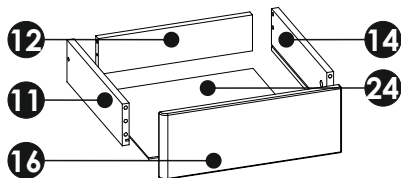
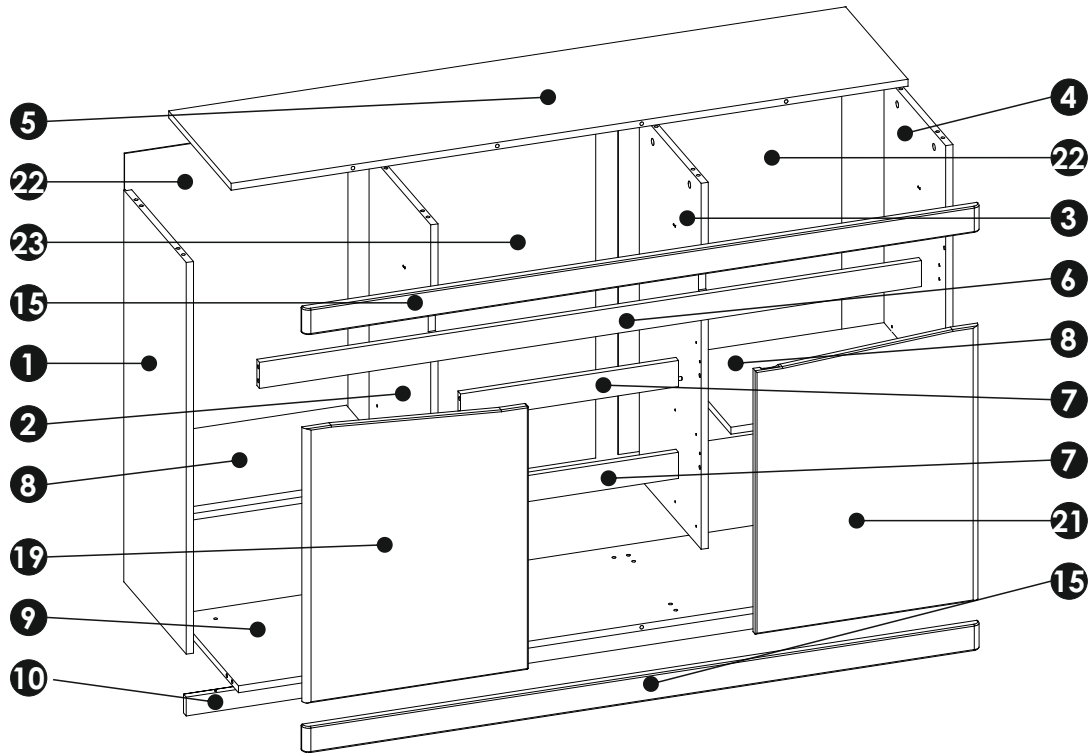




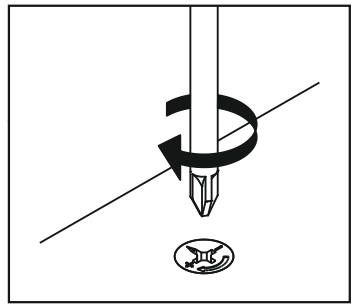
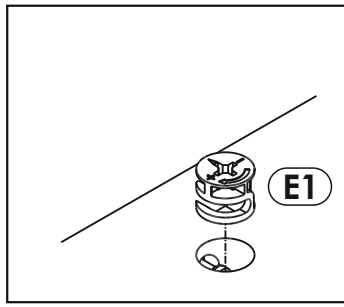
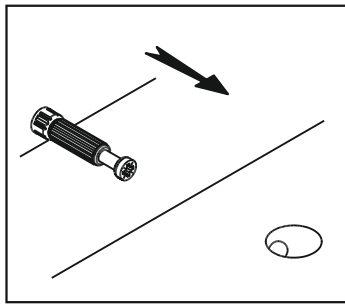
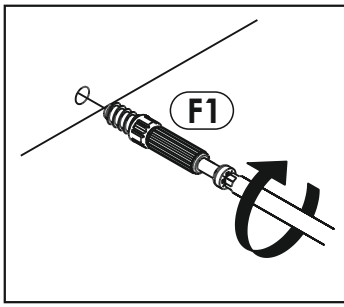
1	900	380	16	x1	1/2
2	841	376	16	x1	2/2
3	841	376	16	x1	2/2
4	900	380	16	x1	1/2
5	1500	380	16	x1	2/2

6	1467	60	16	x1	2/2
7	483	60	16	x2	2/2
8	476	360	16	x2	1/2
9	1467	376	16	x1	2/2
10	1467	43	16	x1	2/2
11	350	100	16	x6	1/2
12	436	86	16	x2	1/2
13	443	86	16	x4	2/2
14	350	100	16	x6	1/2
15	1500	60	19	x2	2/2

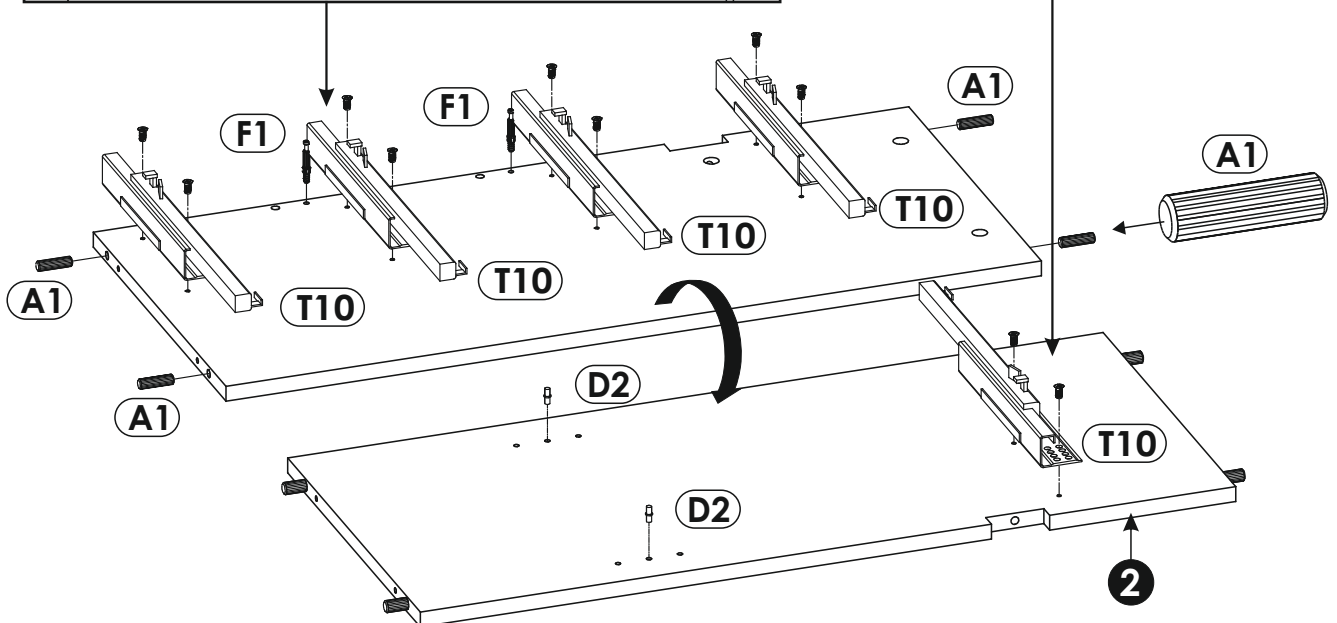
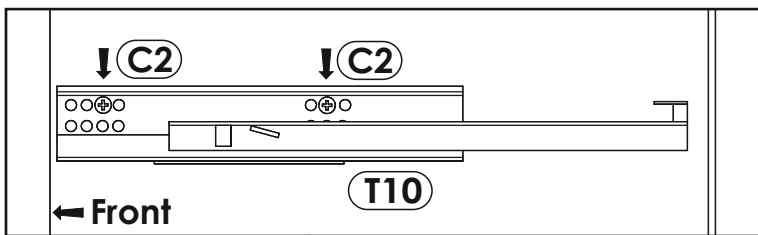
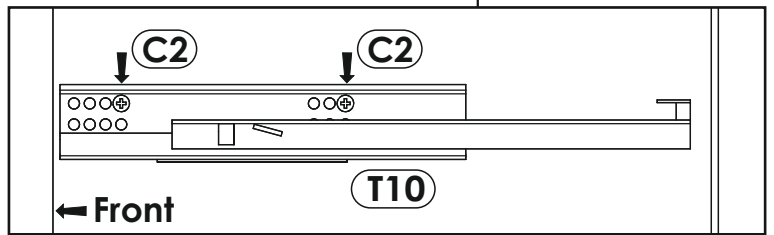
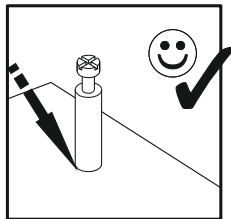
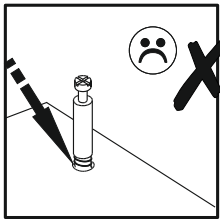
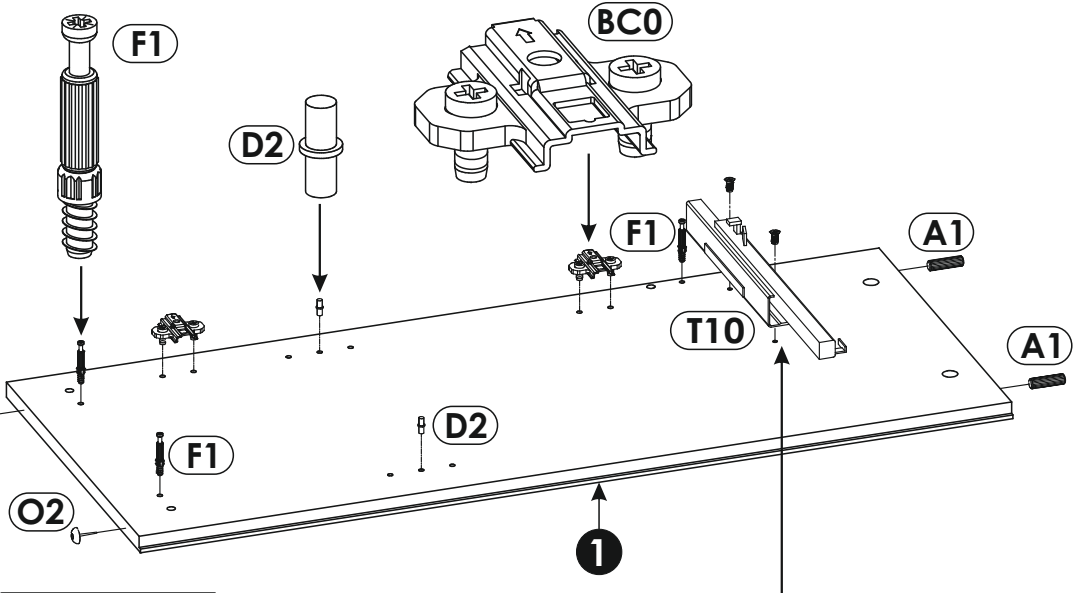
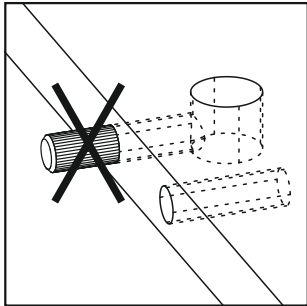
16	497	157	16	x1	2/2
17	497	157	16	x1	2/2
18	497	157	16	x1	2/2
19	479	630	16	x1	1/2
20	497	183	16	x3	1/2
21	497	630	16	x1	1/2
22	866	495	3	x2	1/2
23	866	499	3	x1	1/2
24	451	355	3	x2	2/2
25	458	355	3	x4	2/2



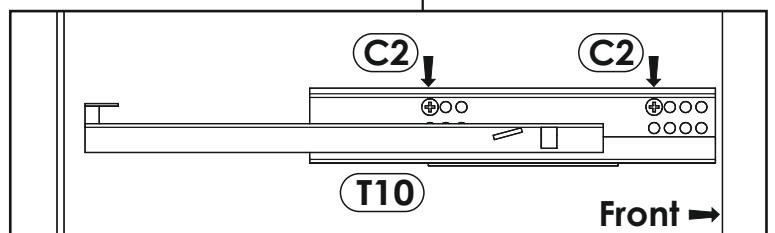
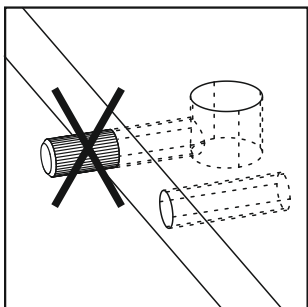
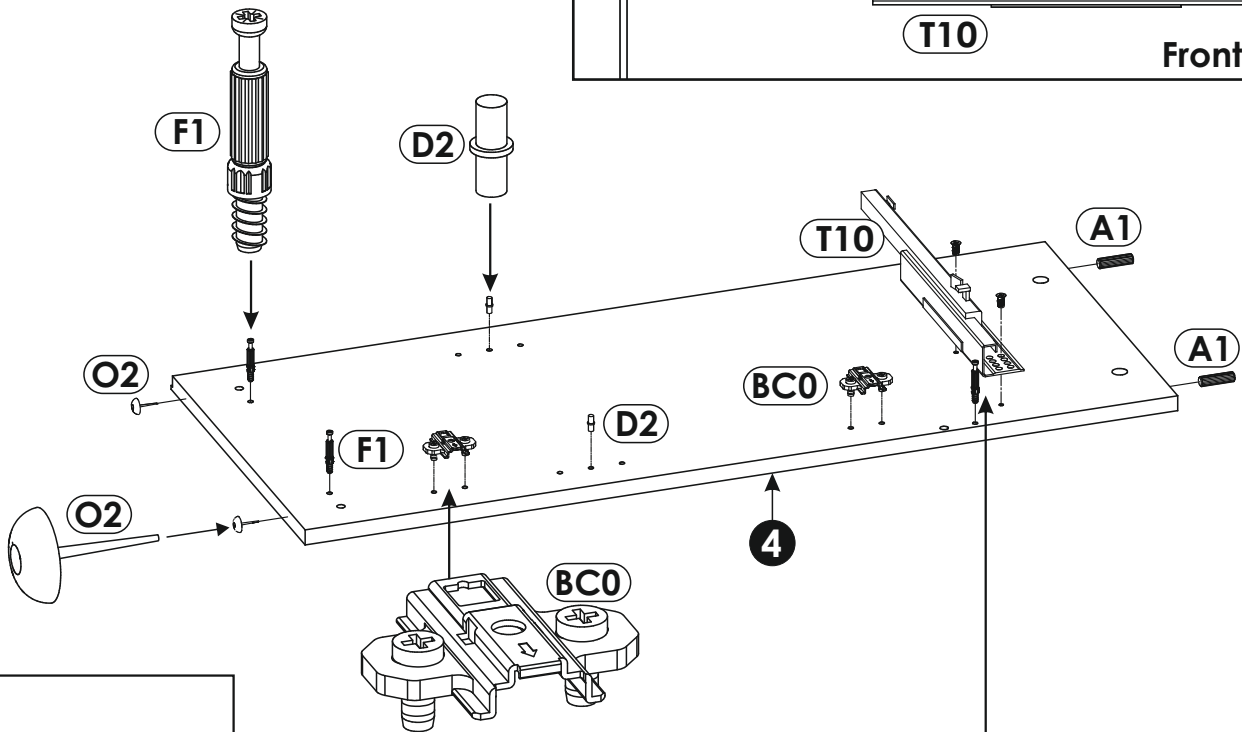
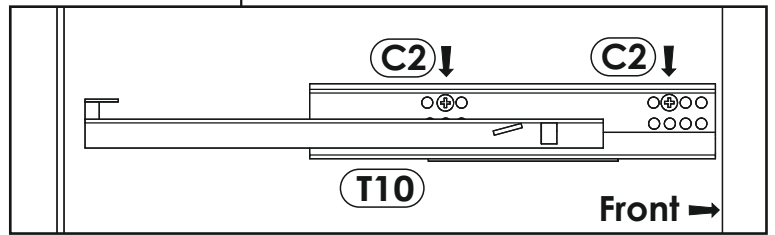
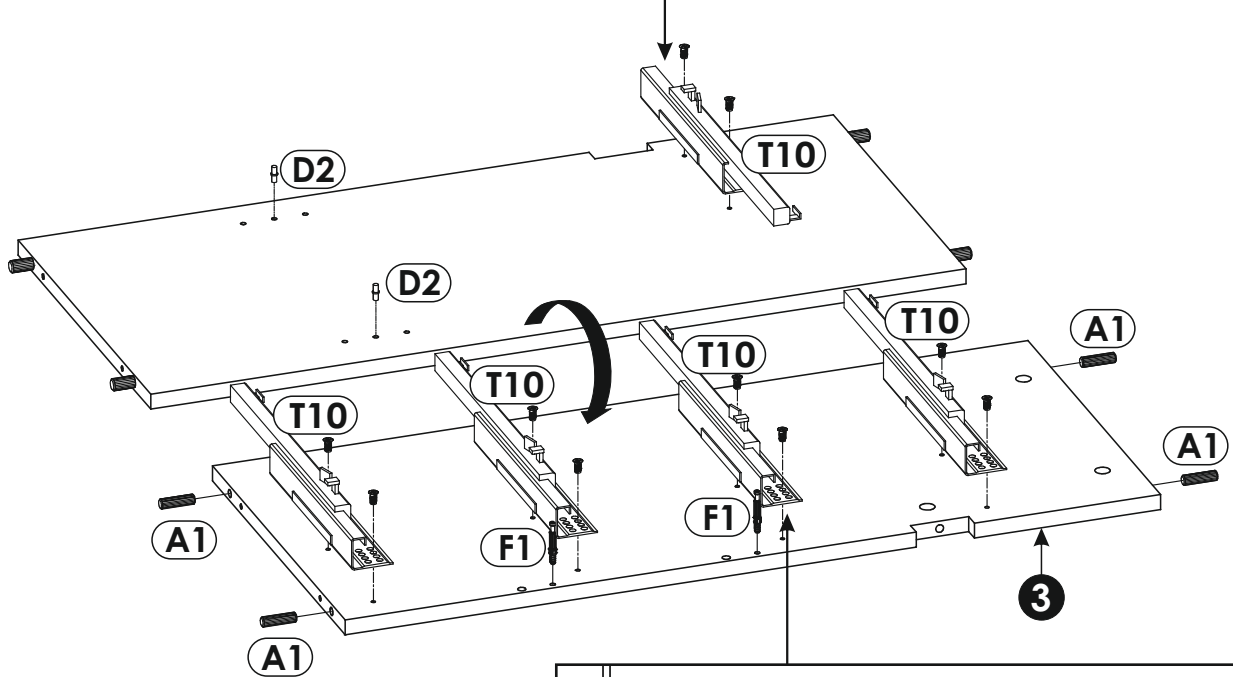
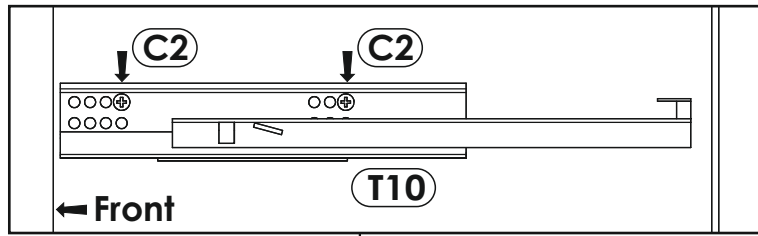
**x3**



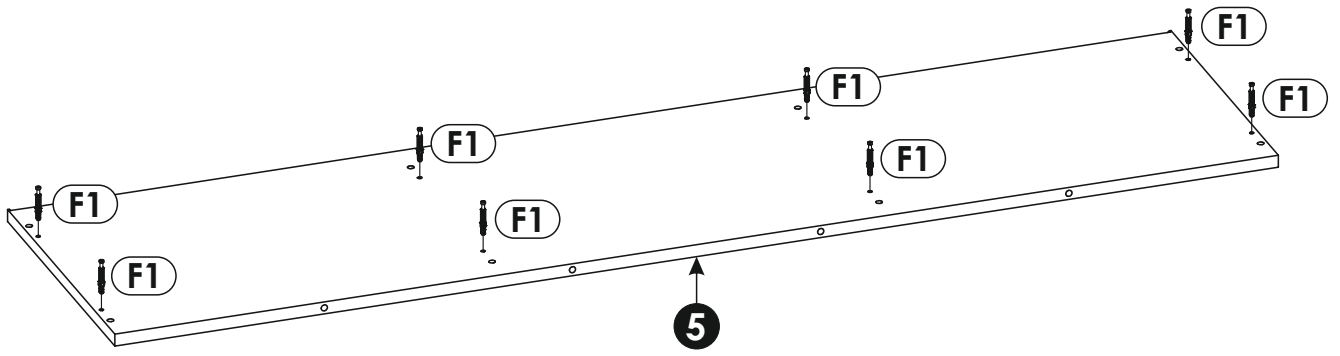
1 ▶



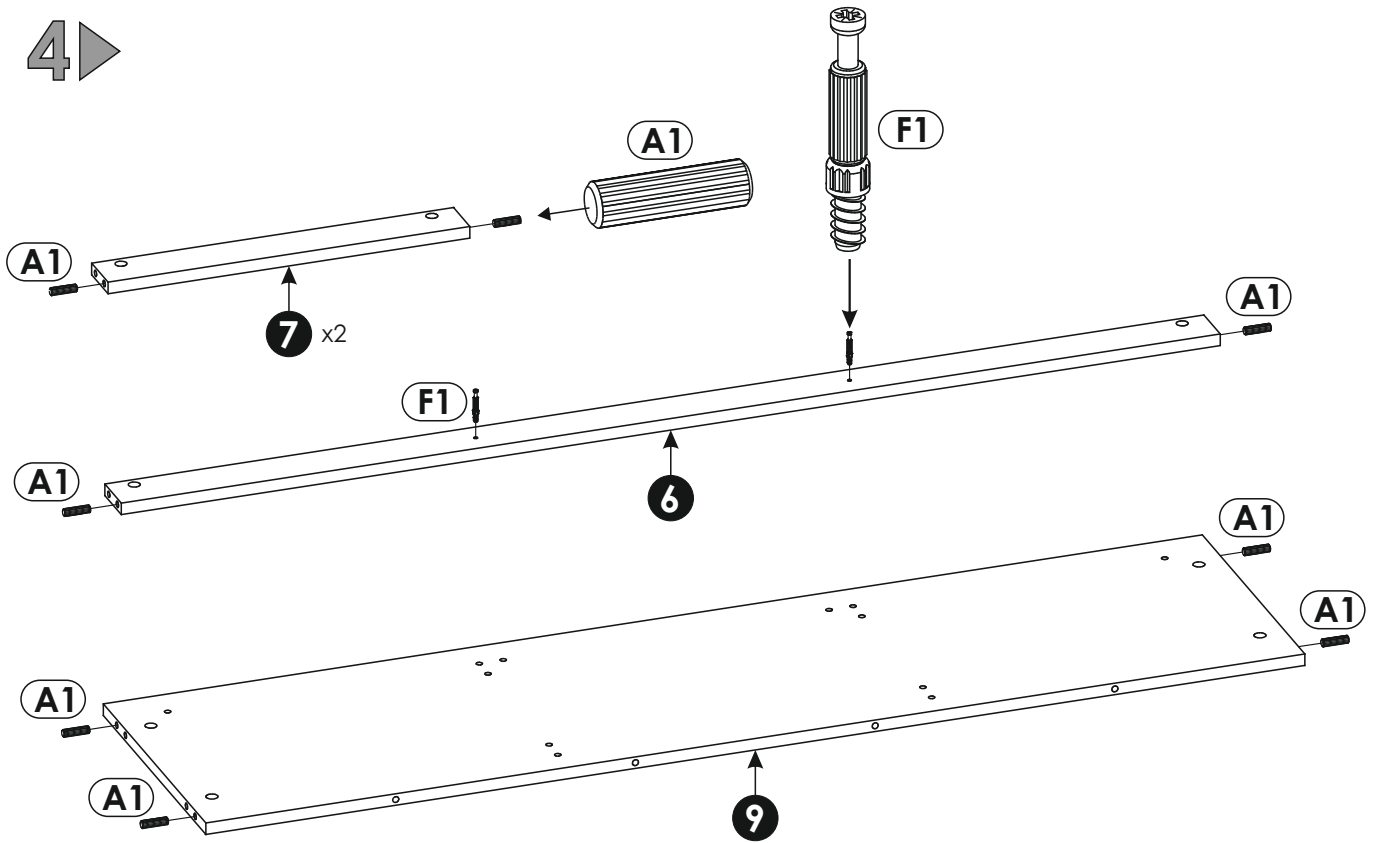
2 ▶



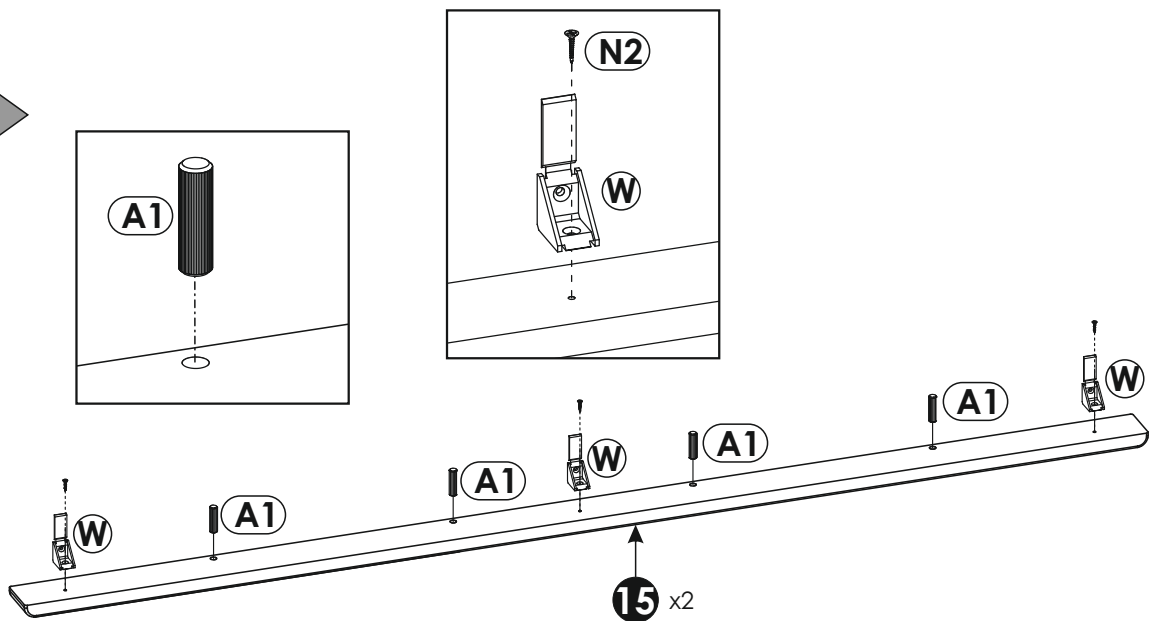
3 ▶



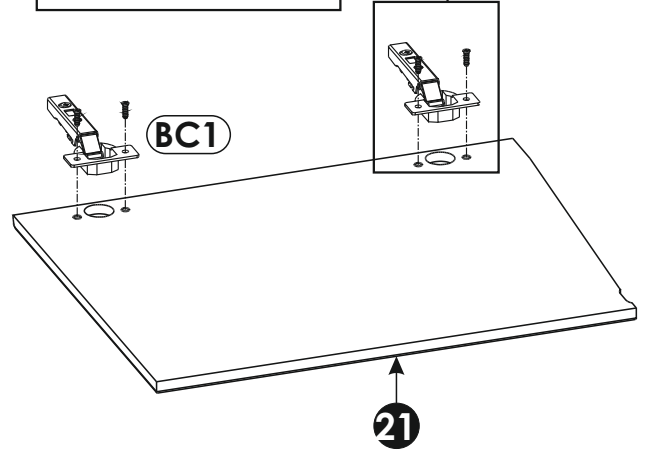
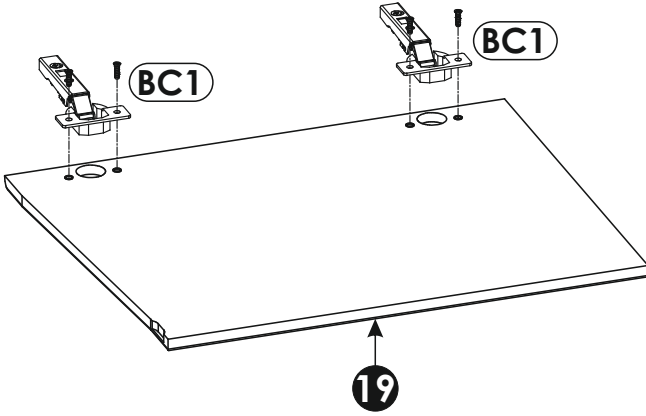
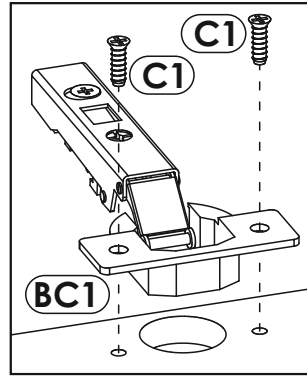
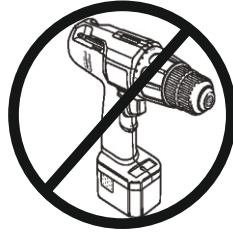
4 ▶



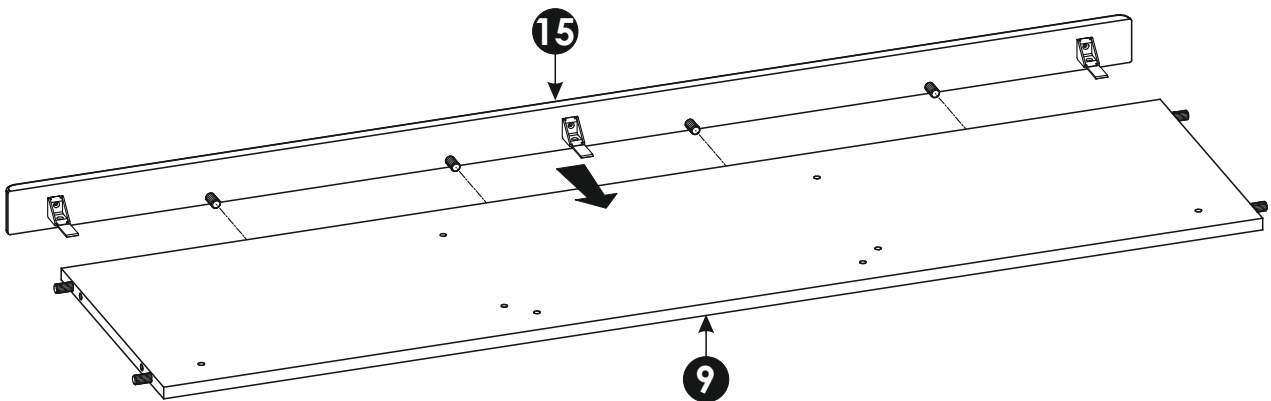
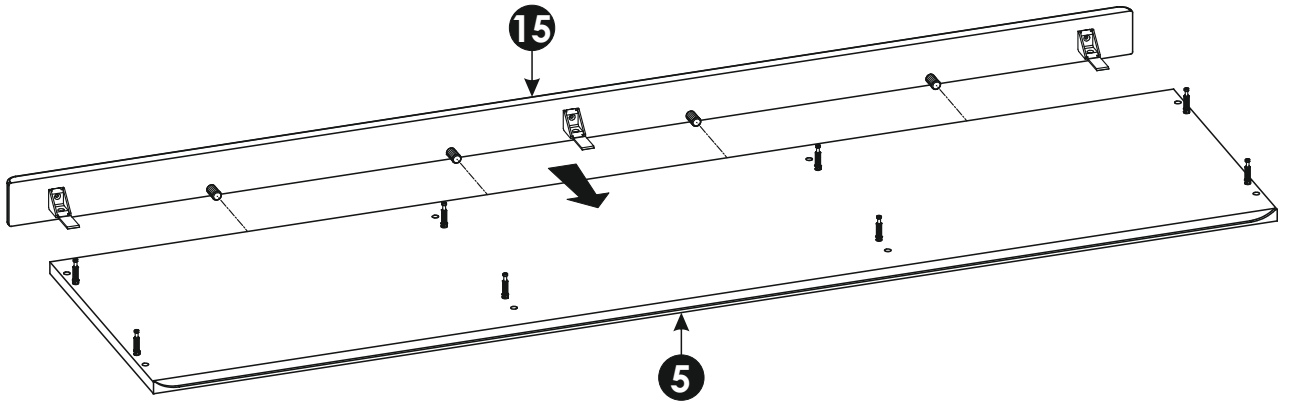
5 ▶



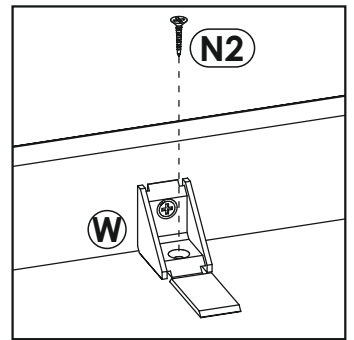
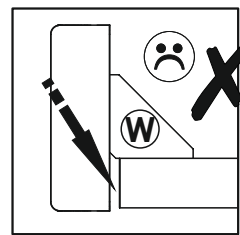
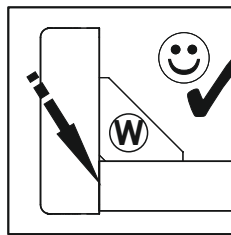
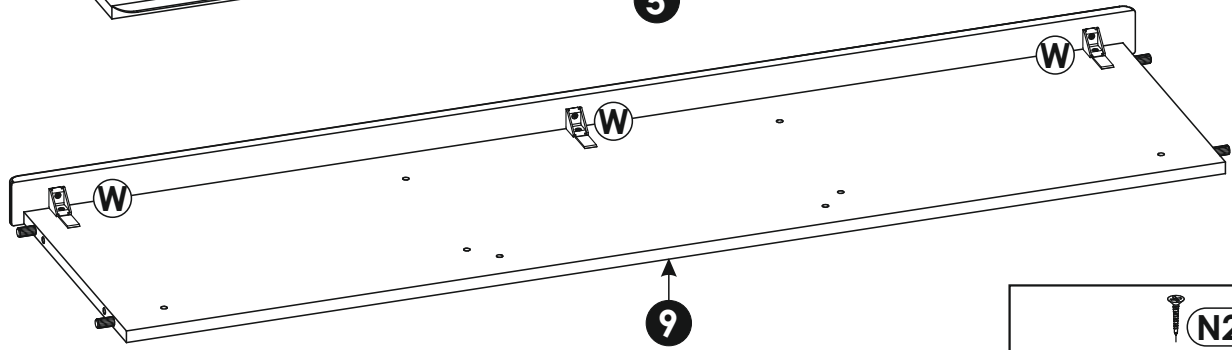
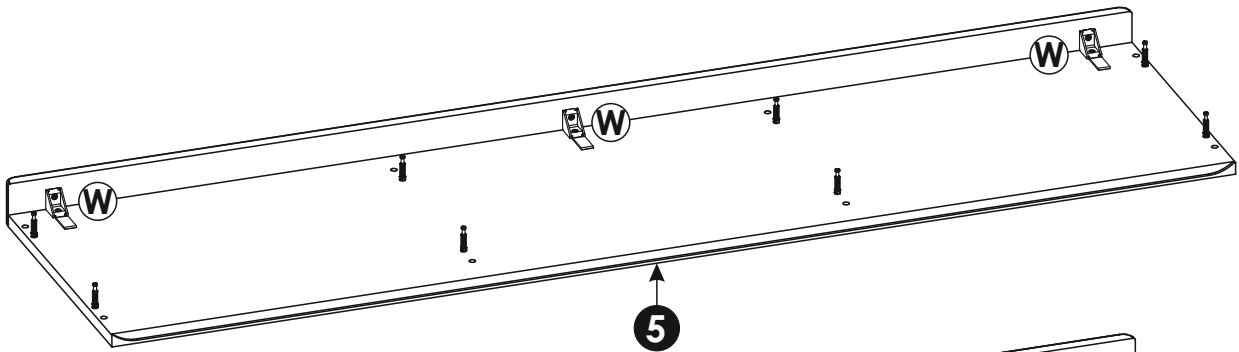
6 ▶



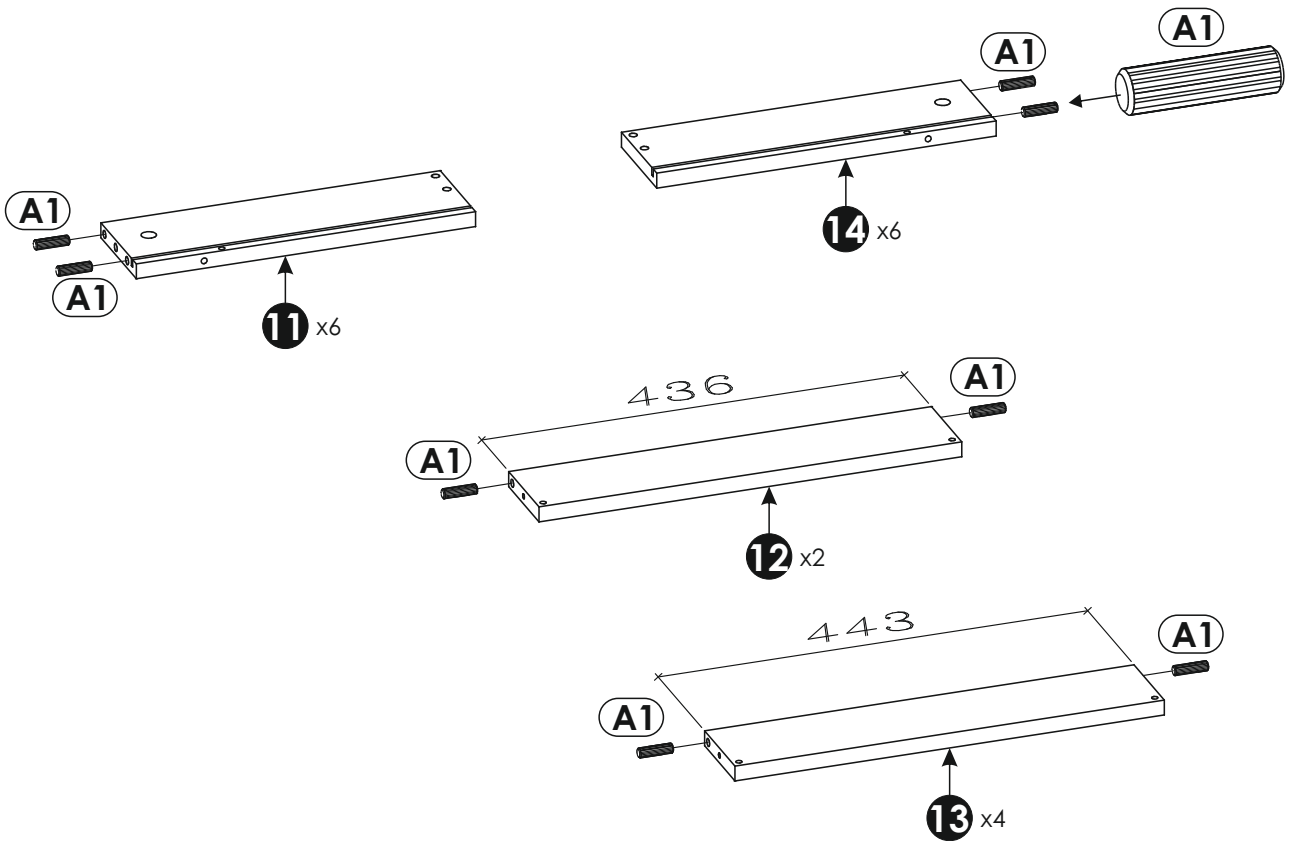
7 ▶



8 ▶

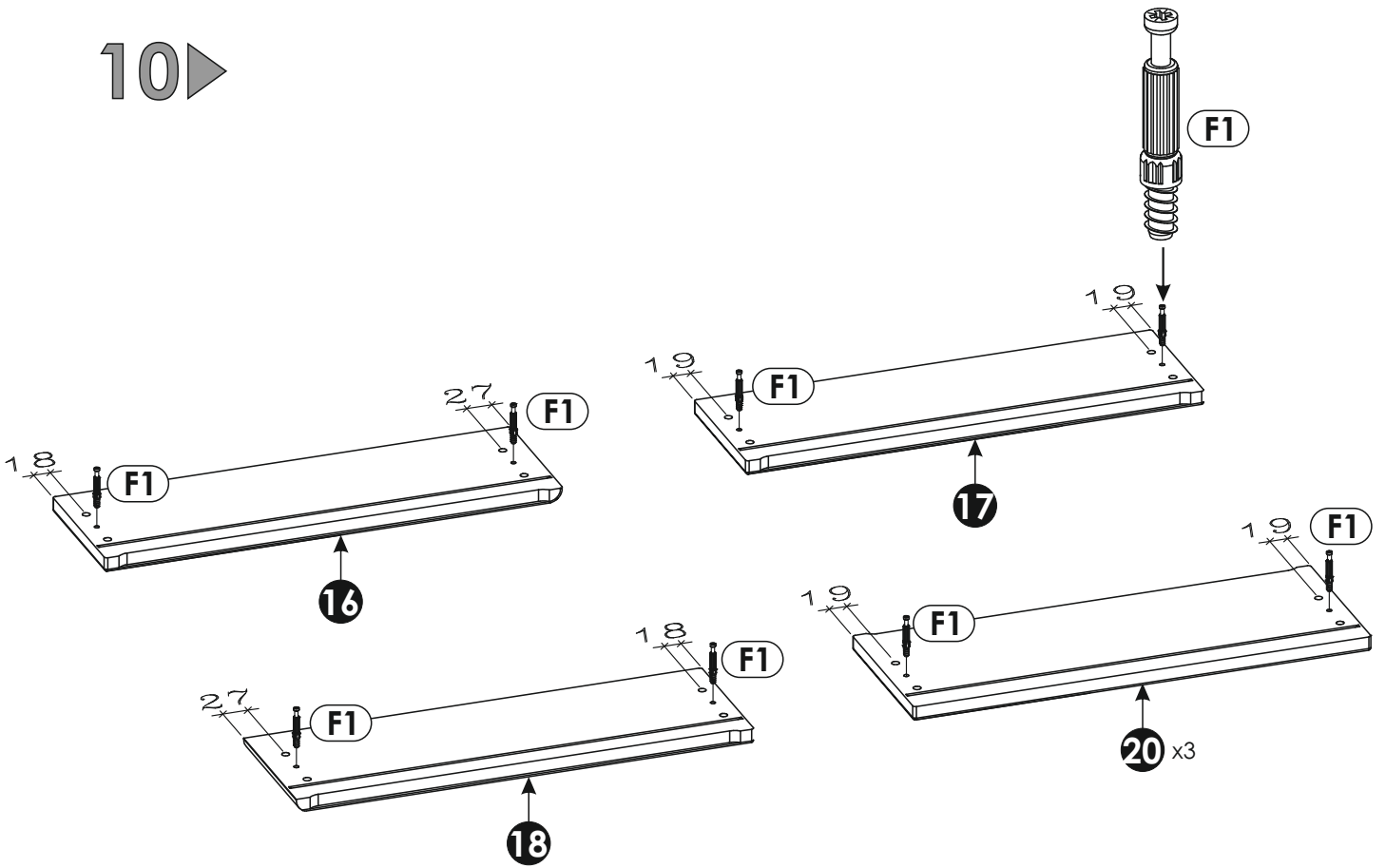


9 ▶

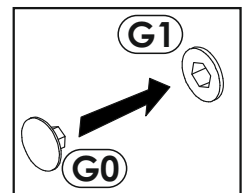
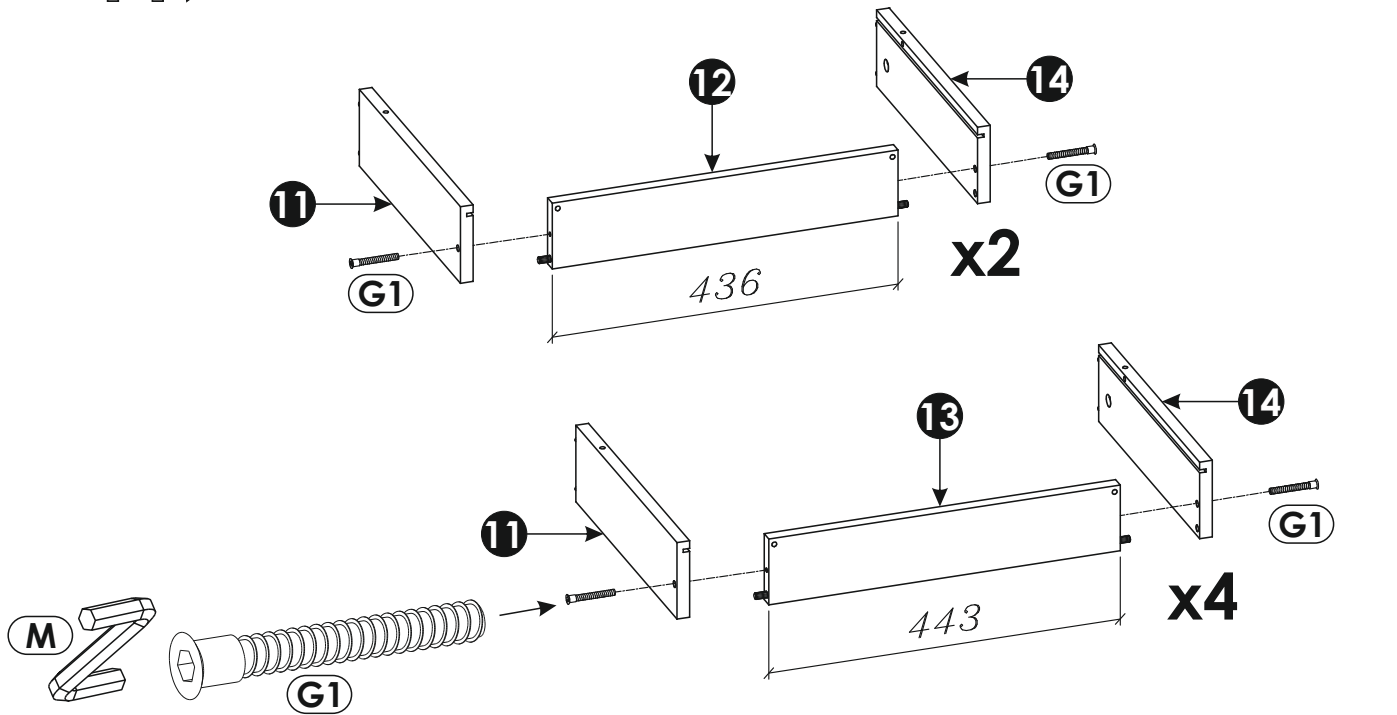




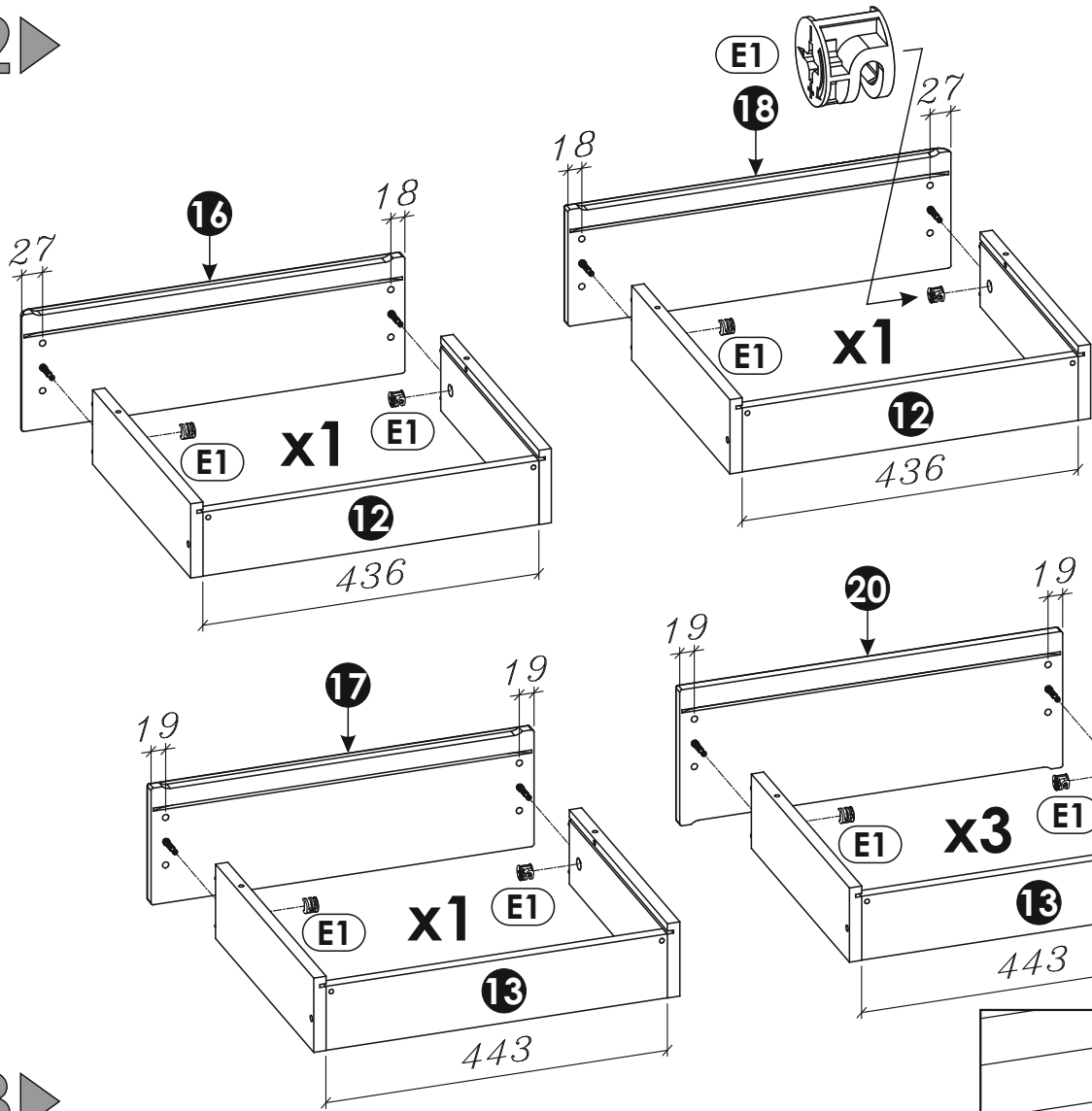
# 10 ▶



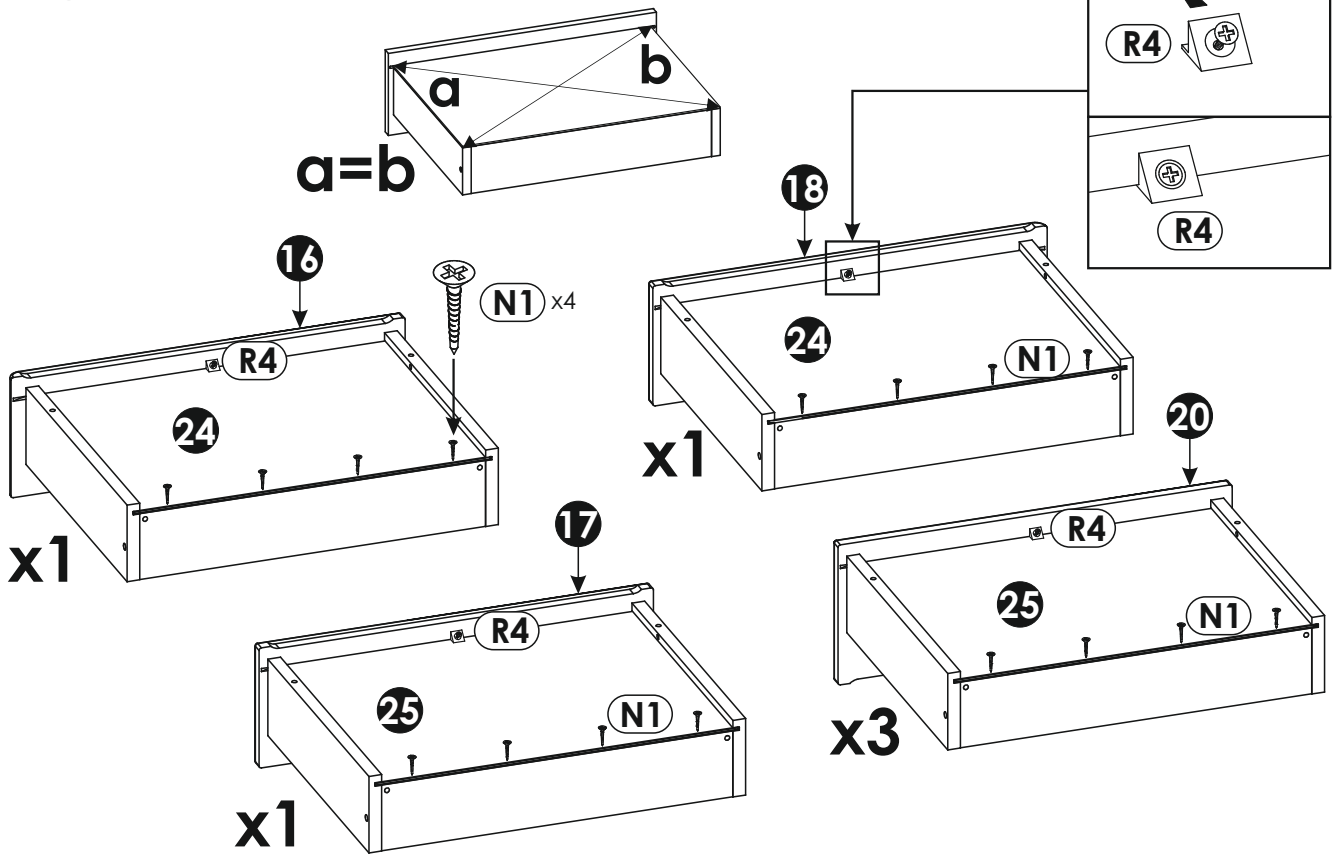
# 11 ▶



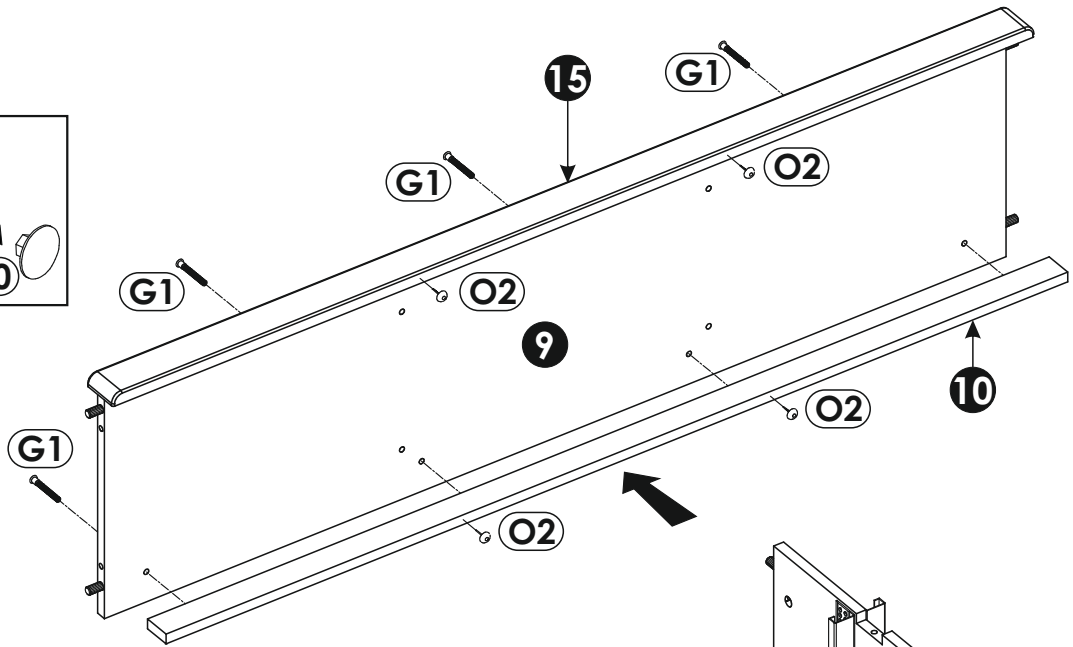
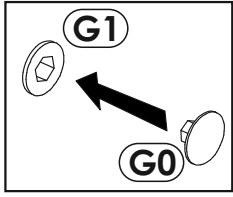
# 12 ▶



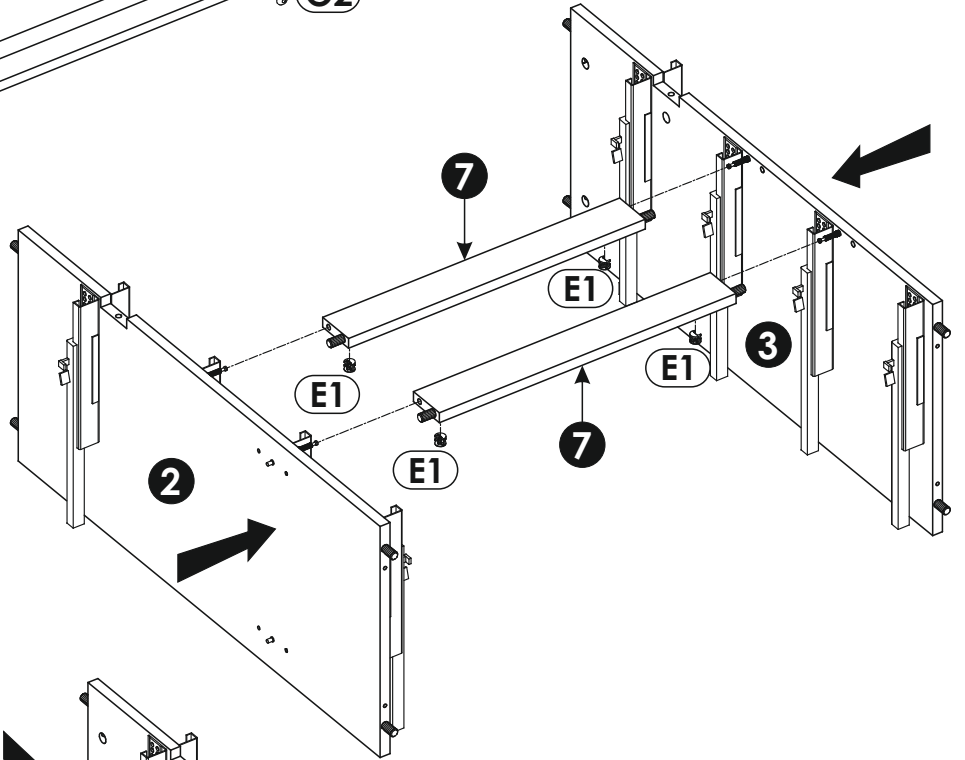
# 13 ▶



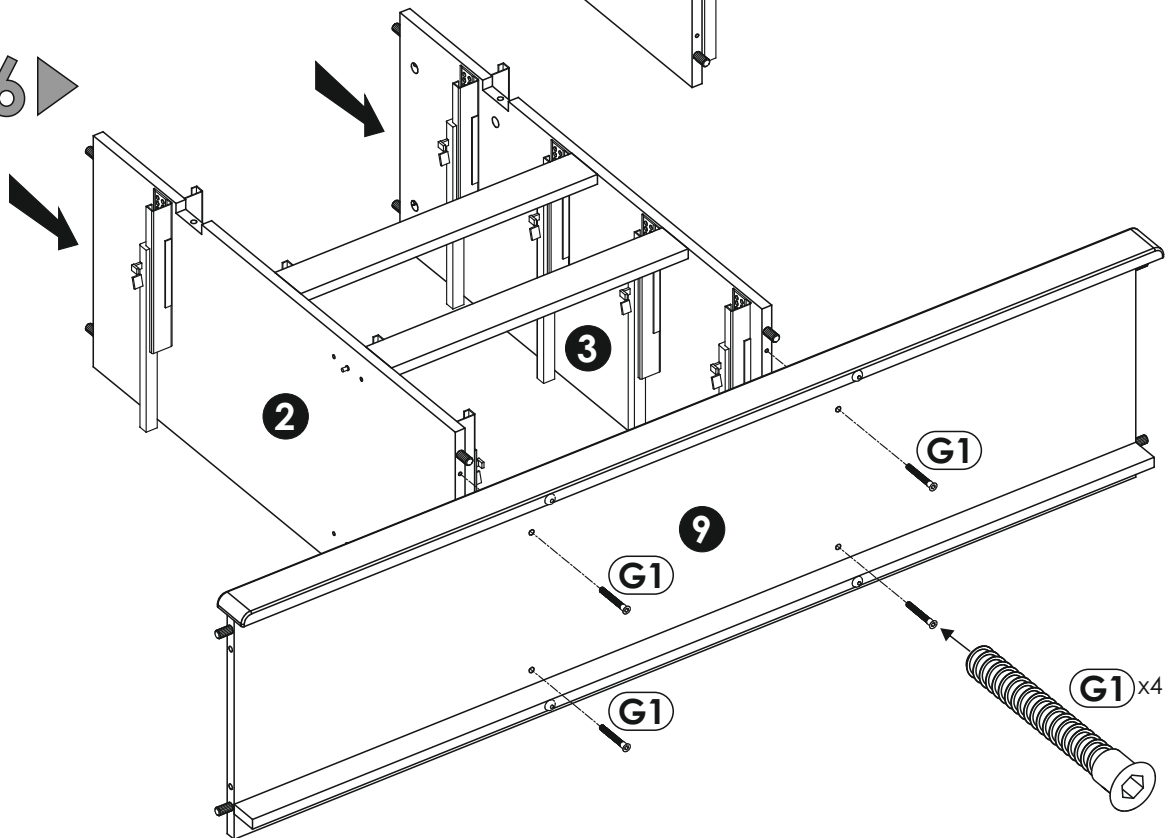
14 ▶



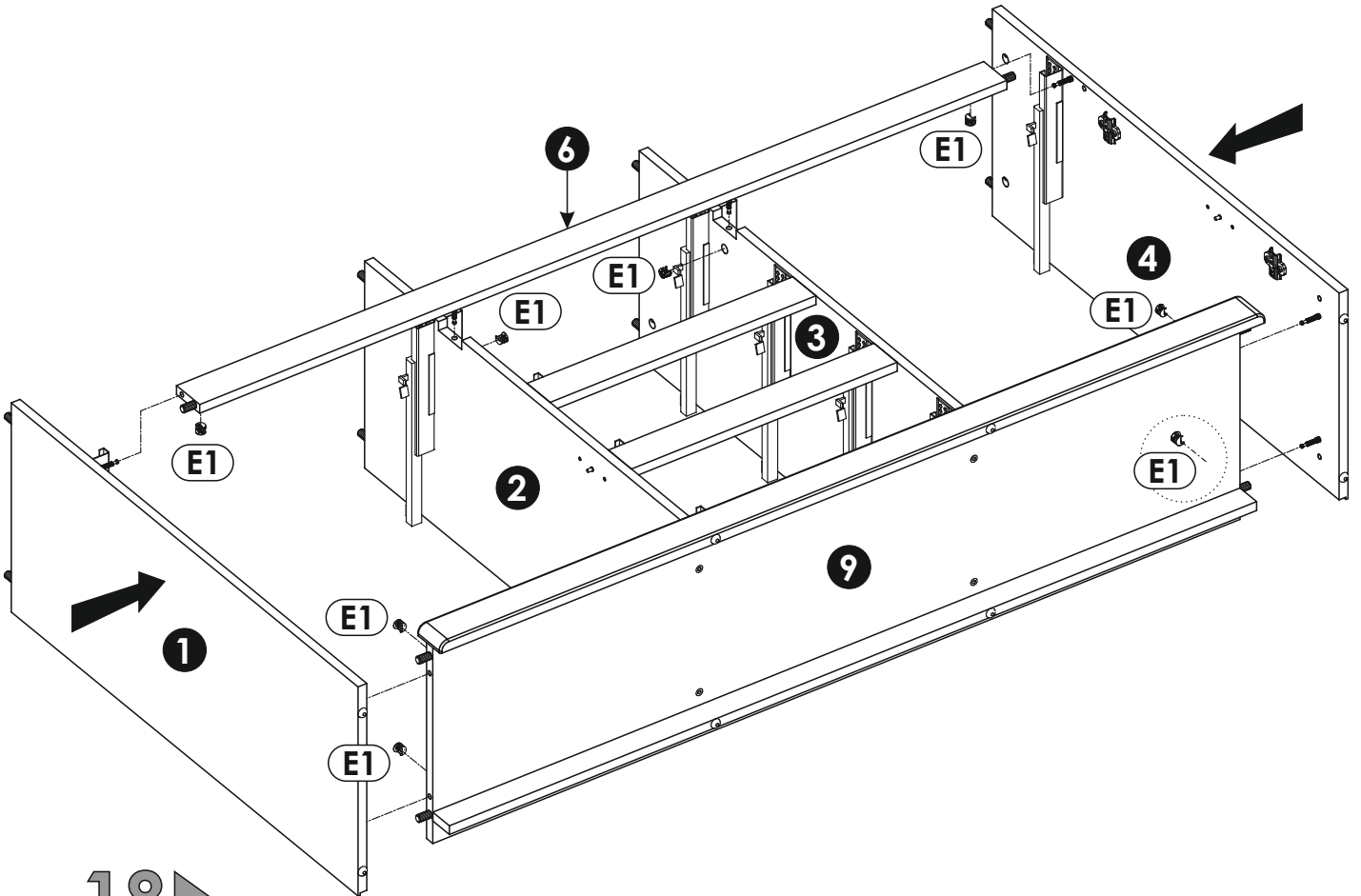
15 ▶



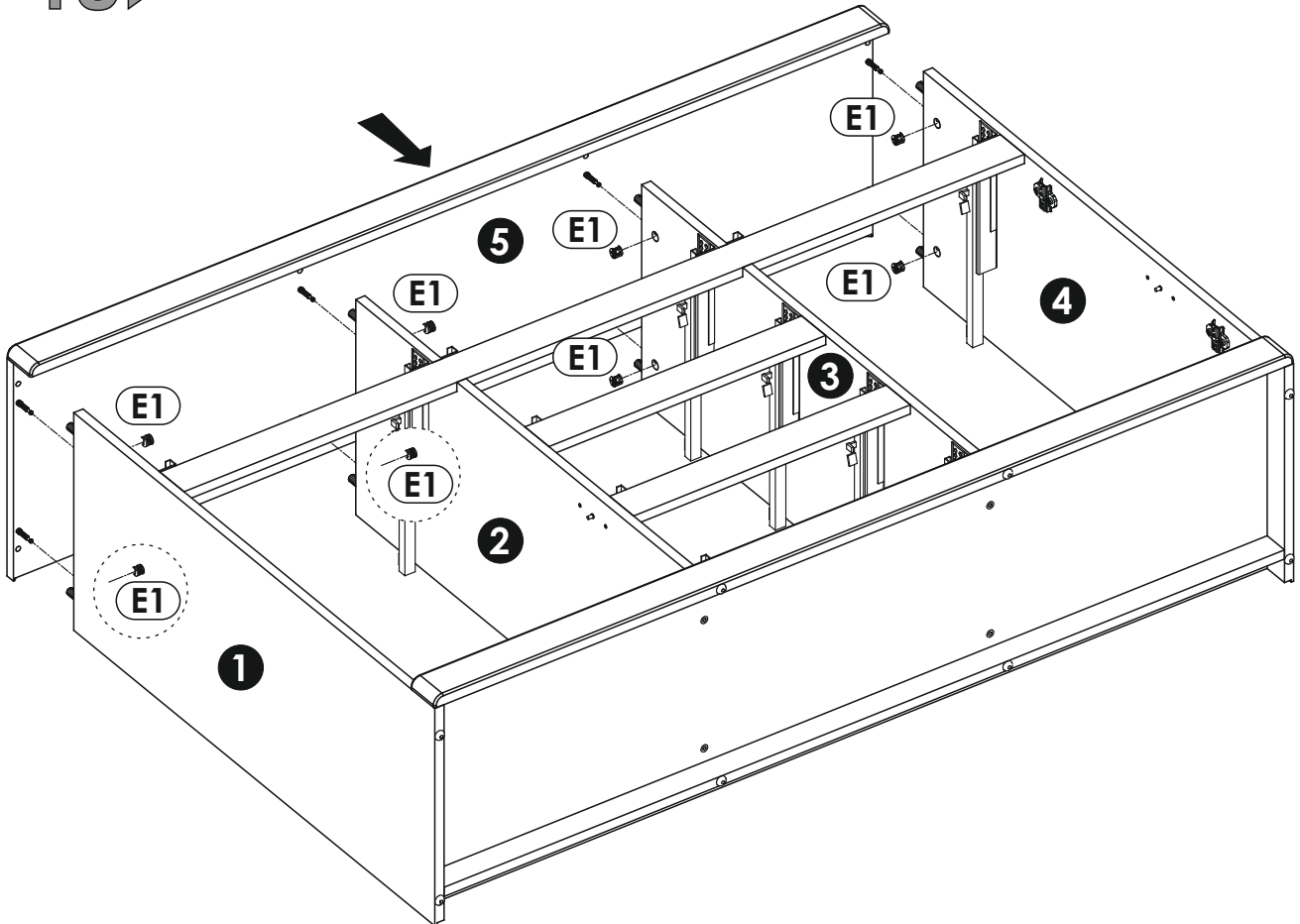
16 ▶



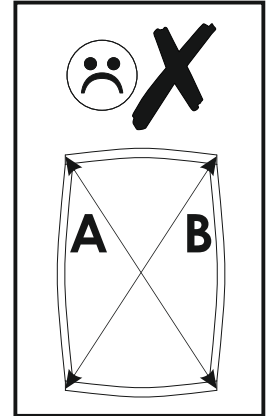
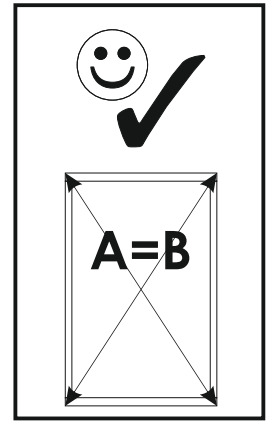
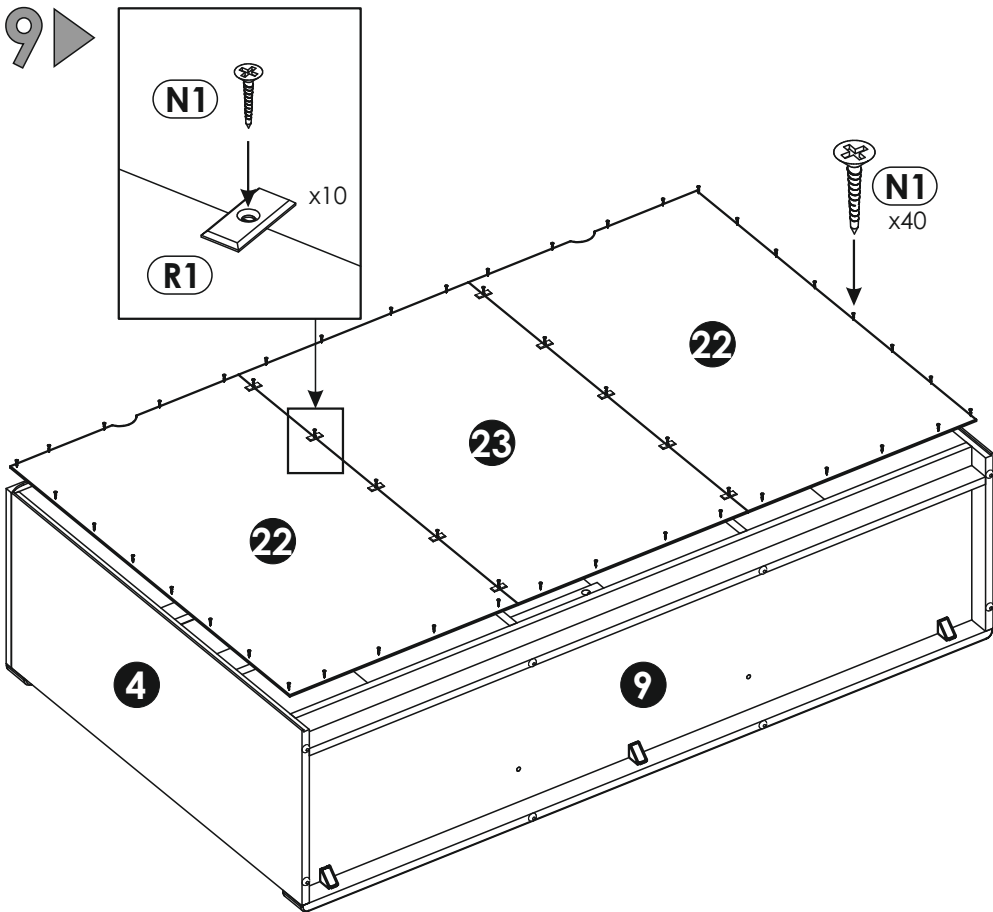
17 ▶



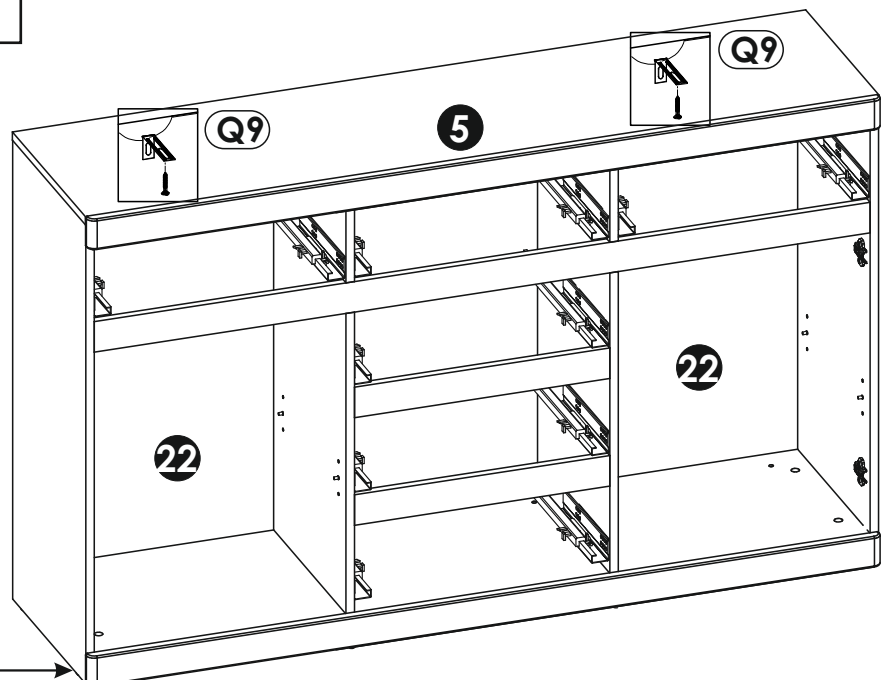
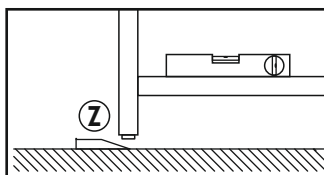
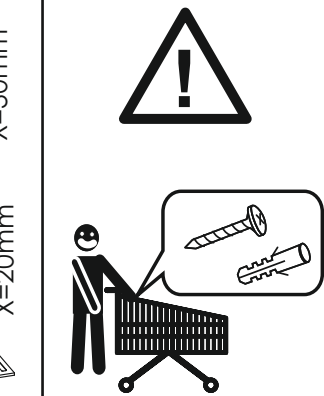
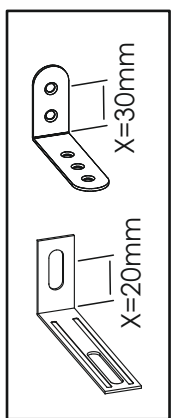
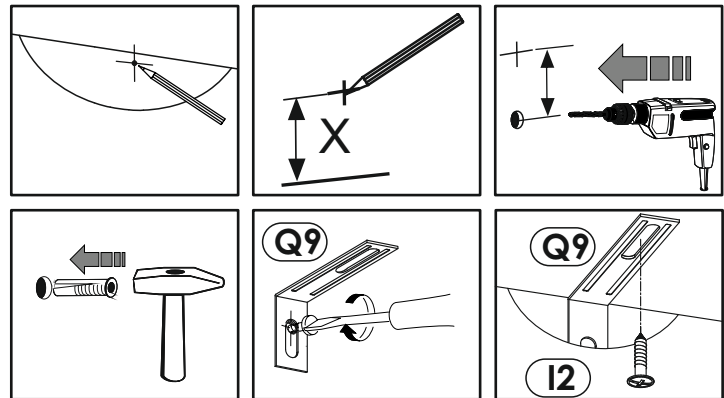
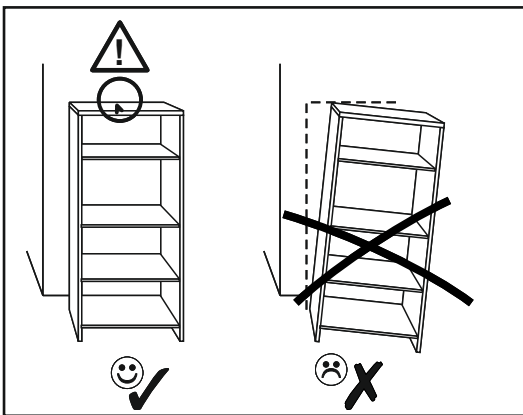
18 ▶



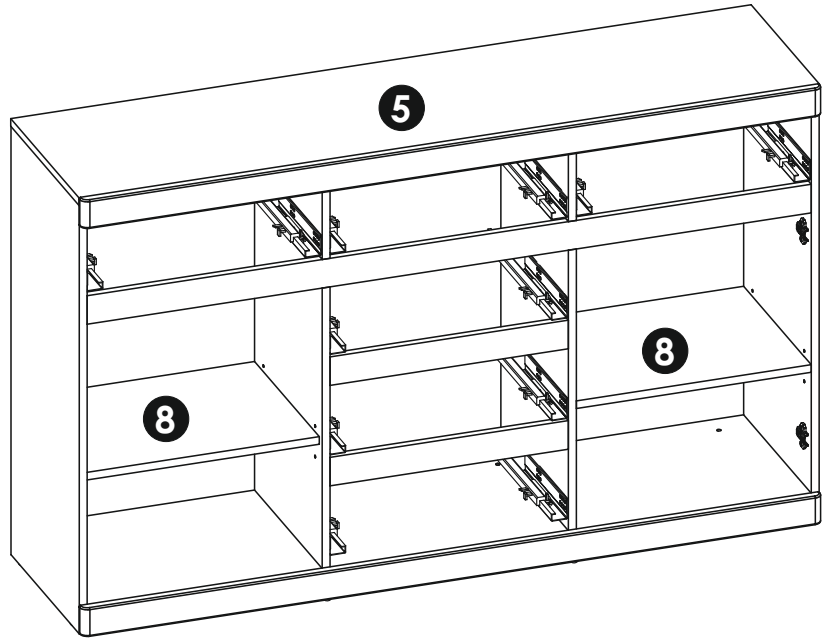
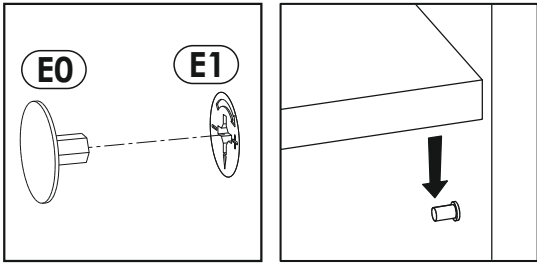
19 ▶



20 ▶



# 21 ▶



# 22 ▶

