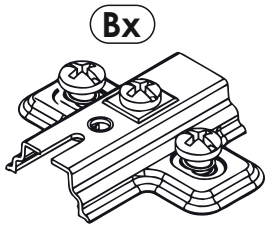
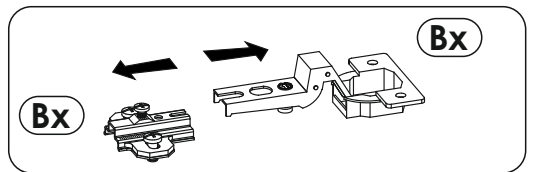
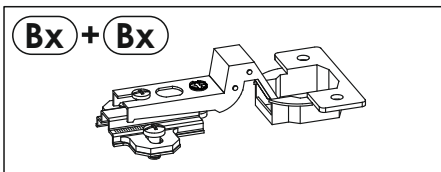
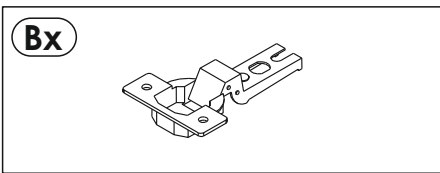
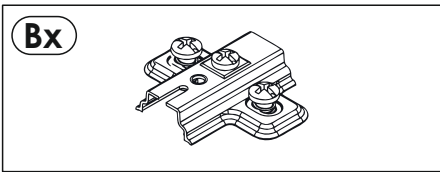
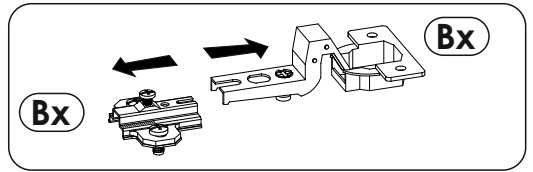
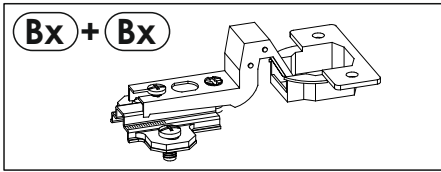
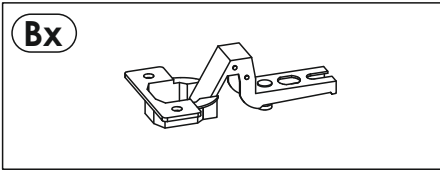
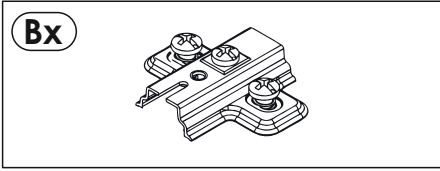




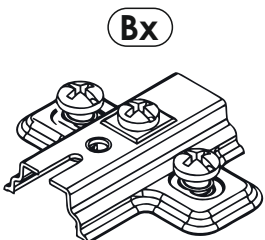
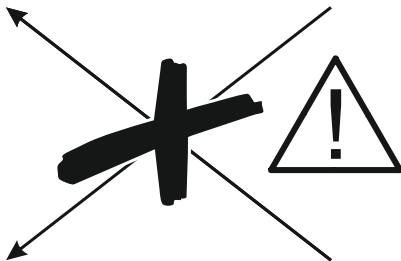
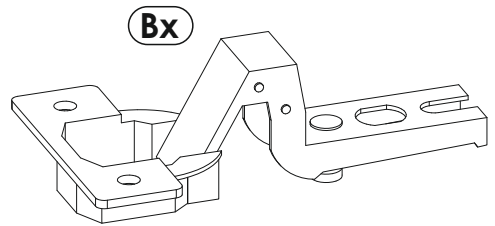
A



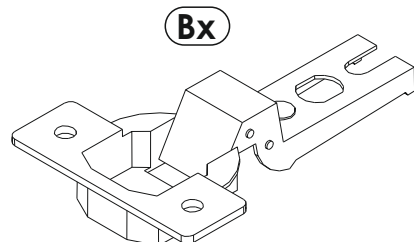
B



OK



OK





MM

260

250

240

230

220

210

200

190

180

170

160

150

140

130

120

110

100

90

80

70

60

50

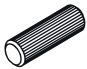
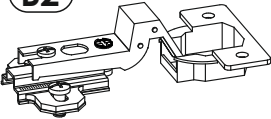
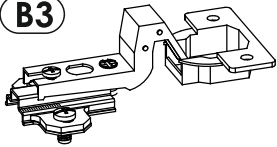


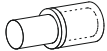



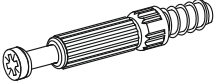
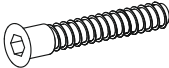
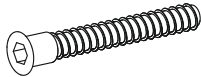




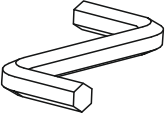
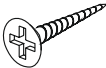
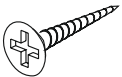
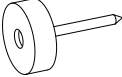
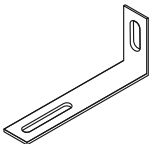
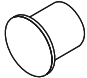
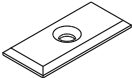
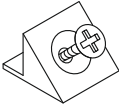
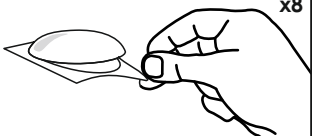
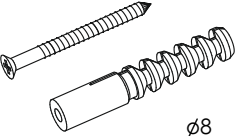
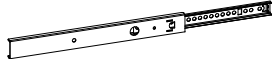
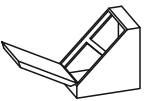
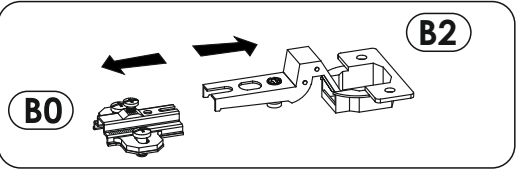
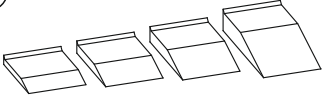
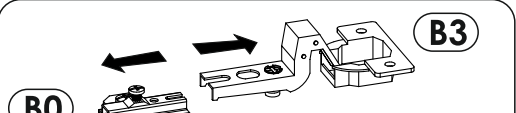
40

30

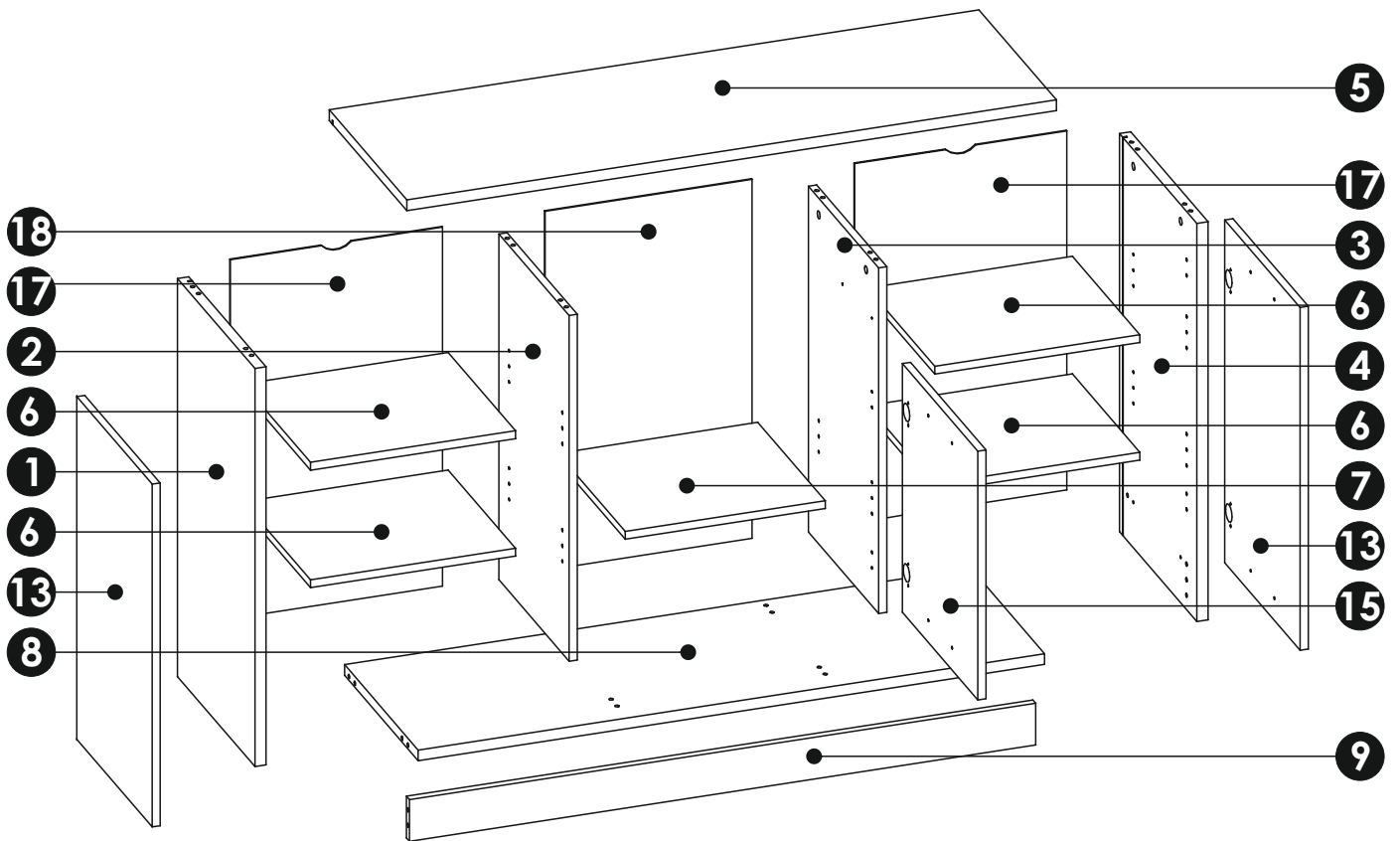
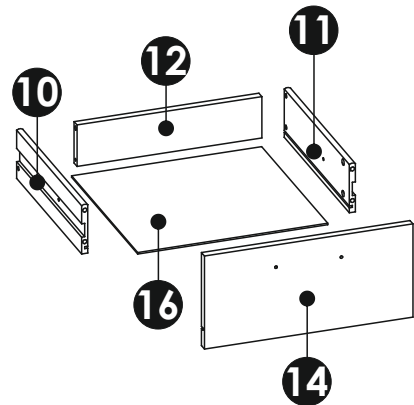
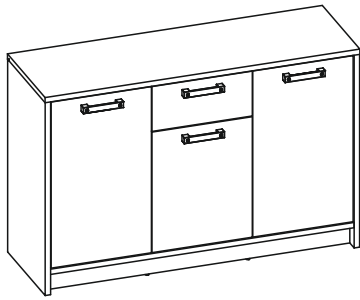
20

10

0

A1 8 x 35 mm x22 	B0 + B2 x2 	B0 + B3 x4 
C1 4 x 13 mm x12 	C2 5 x 13 mm x4 	D2 x20 
E0 x4 	E1 15 x 12 mm x12 	E3 13 x 10,7 mm x4 
F1 6 x 34 mm x16 	G1 7 x 50 mm x2 	G2 7 x 60 mm x4 
H1 x4 	I2 4 x 16 mm x2 	I6 4 x 27 mm x8 
K1 4 x 9 mm x2 	M x1 	N1 3 X 16 mm x20 
N2 3,5 X 16 mm x6 	O2 x6 	Q9 x2 
P0 x10 	R1 x8 	R4 x8 
R8 x8 	S13 x2  ø8	T3 L-251 x2 
W x3 		
Z x1 		

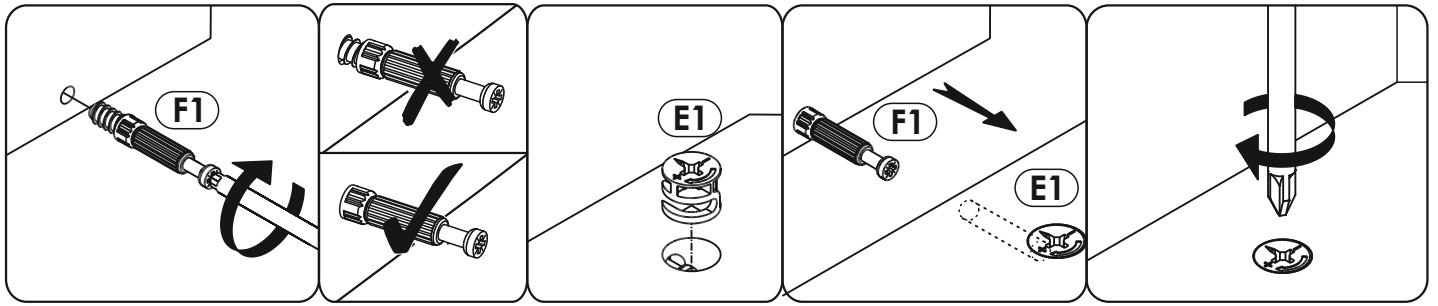




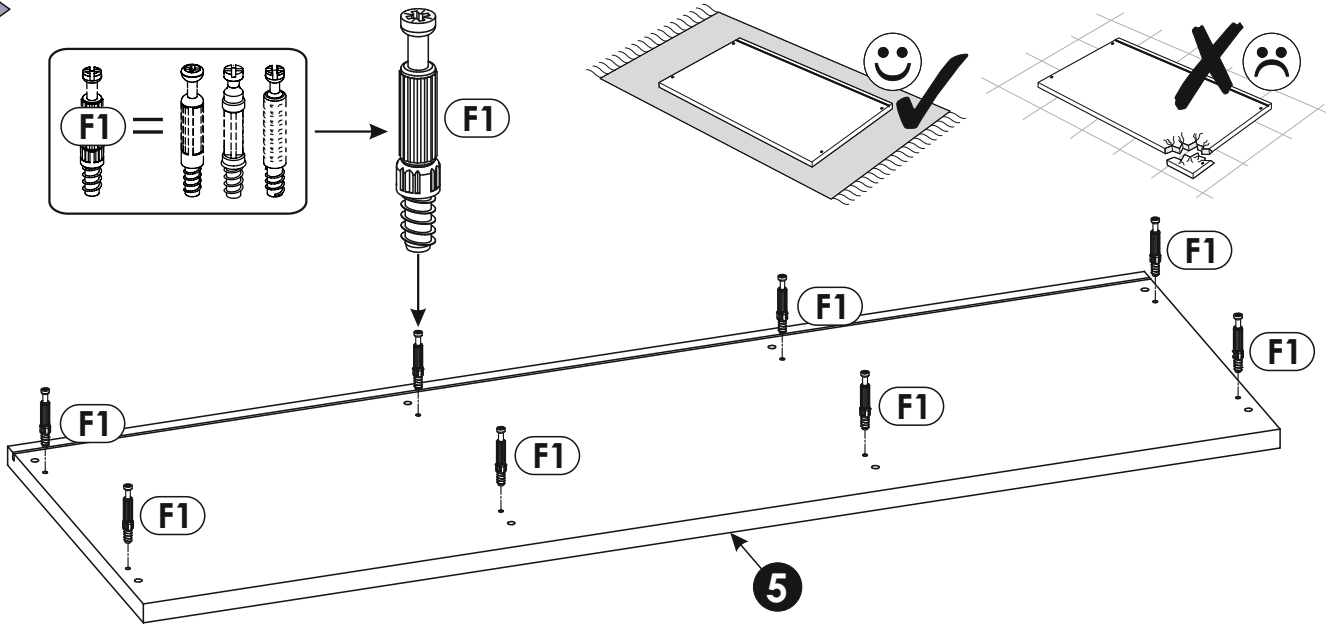
1	813	419	22	x1	1/2
2	706	380	16	x1	2/2
3	706	380	16	x1	2/2
4	813	419	22	x1	1/2
5	1280	420	22	x1	2/2
6	404	365	16	x4	1/2
7	394	365	16	x1	2/2

8	1234	398	22	x1	2/2
9	1234	85	16	x1	2/2
10	350	100	12	x1	2/2
11	350	100	12	x1	2/2
12	362	84	16	x1	2/2
13	700	408	16	x2	1/2
14	408	189	16	x1	2/2

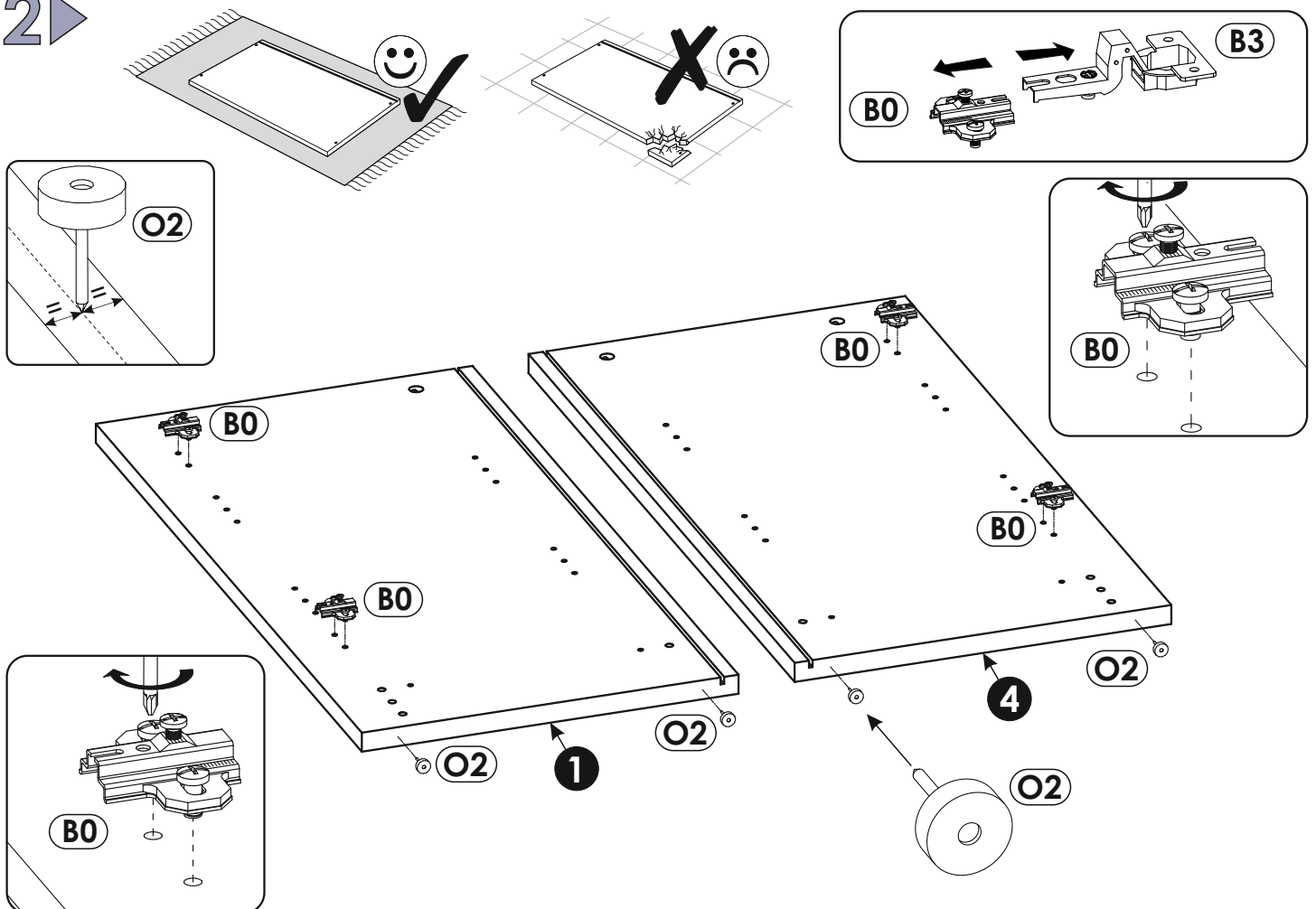
15	408	508	16	x1	2/2
16	372	355	3	x1	1/2
17	733	418	3	x2	1/2
18	733	408	3	x1	1/2



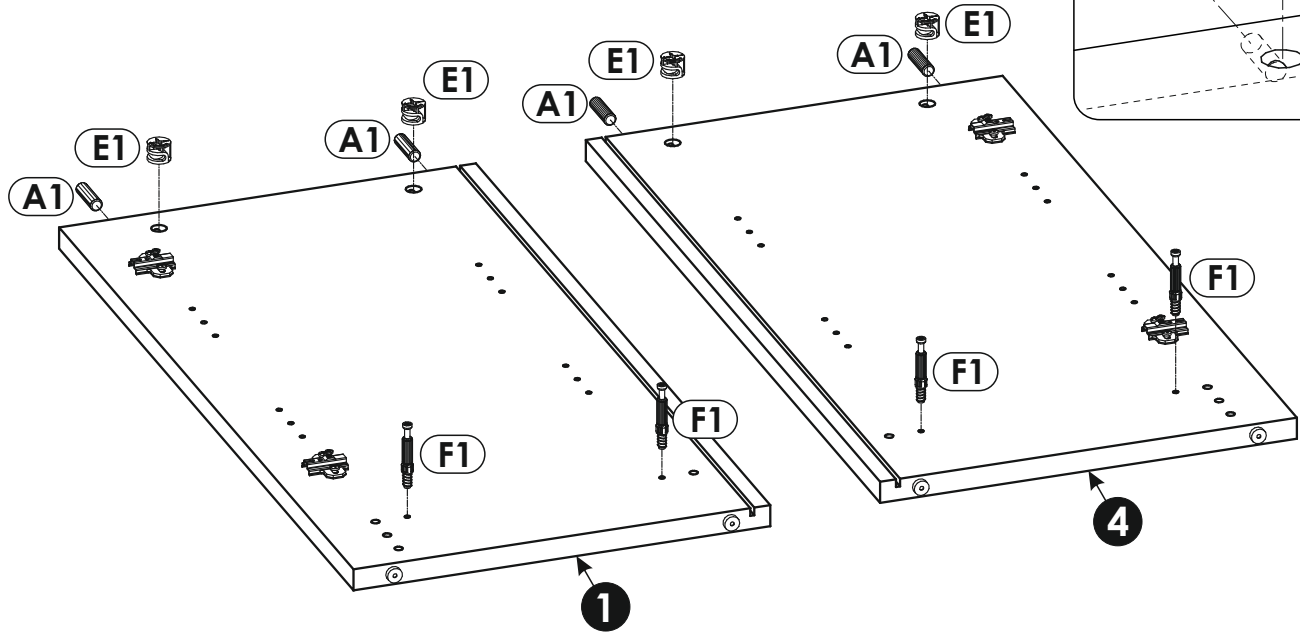
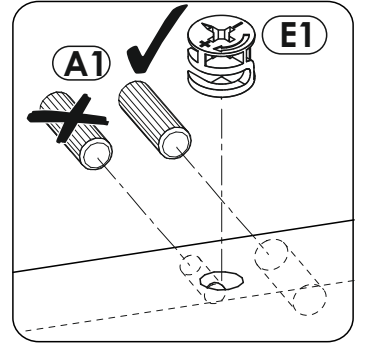
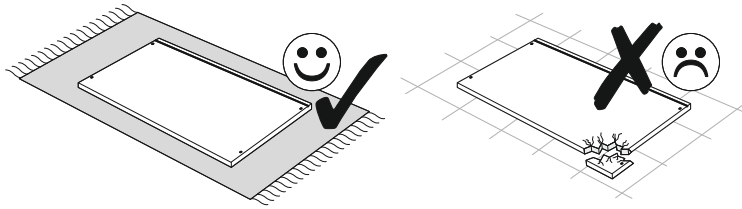
1 ▶



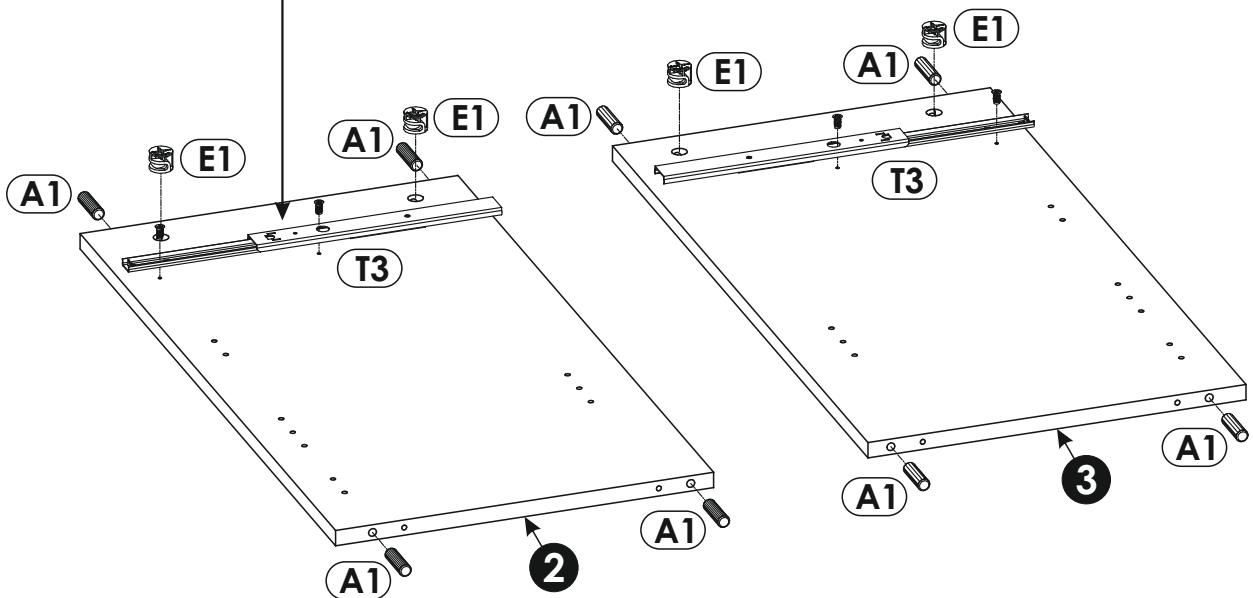
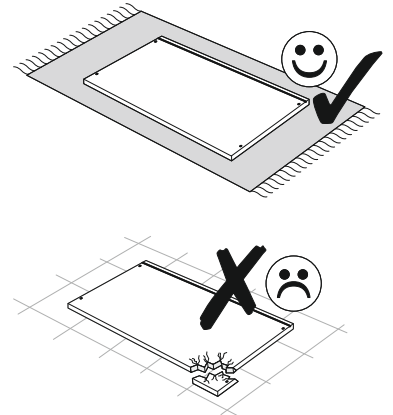
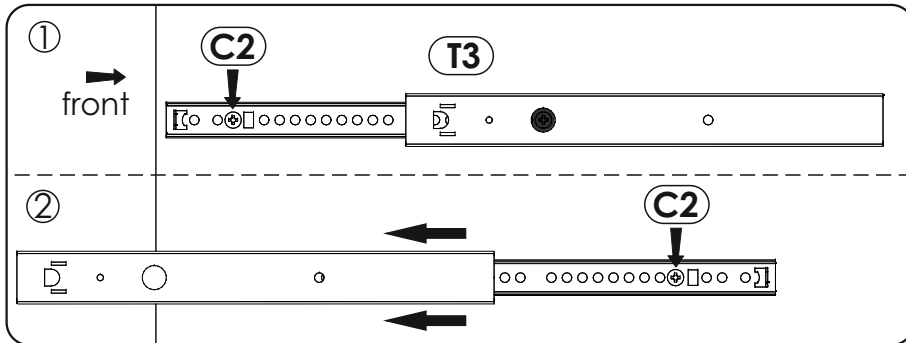
2 ▶



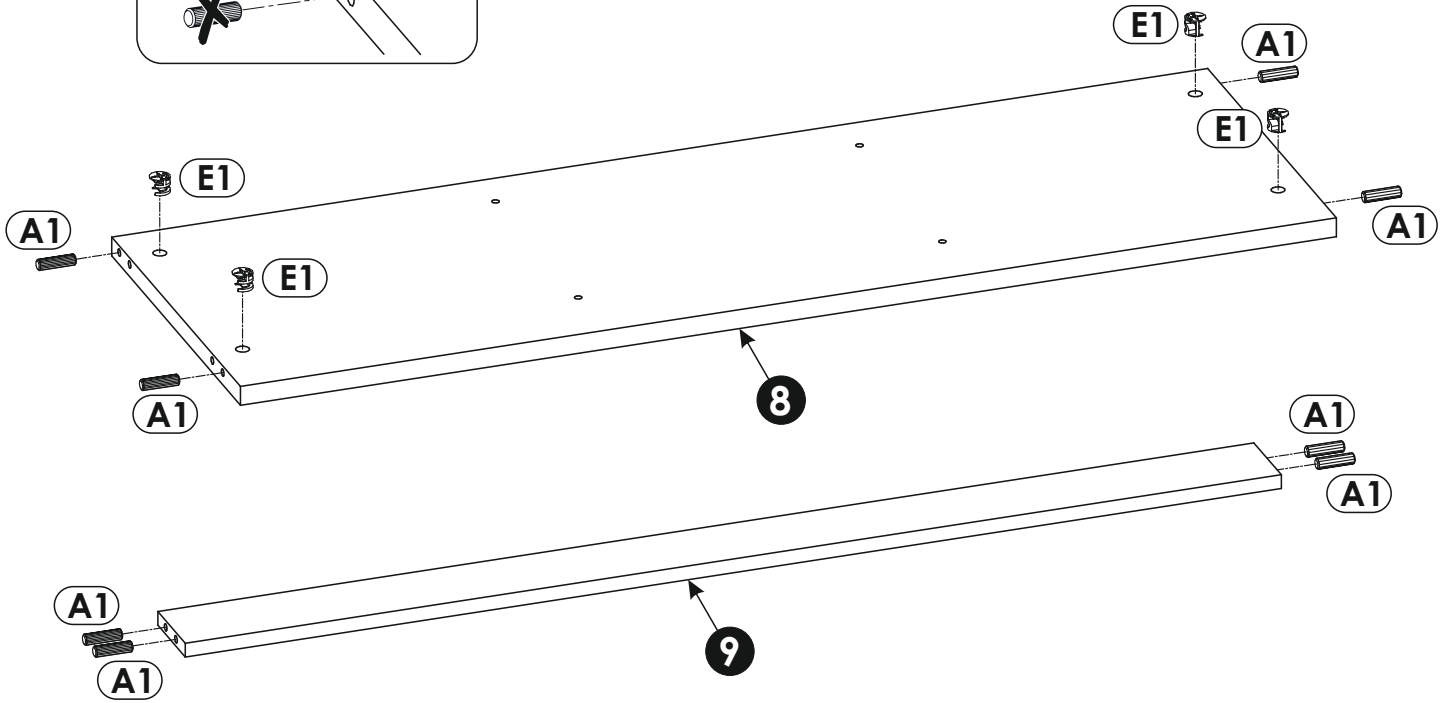
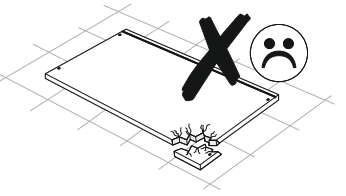
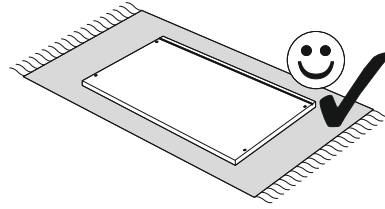
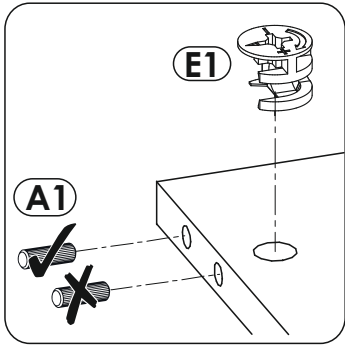
3 ▶



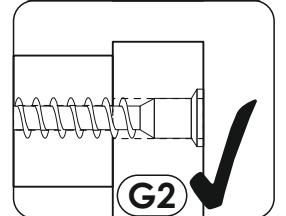
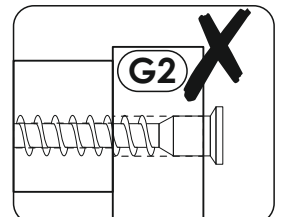
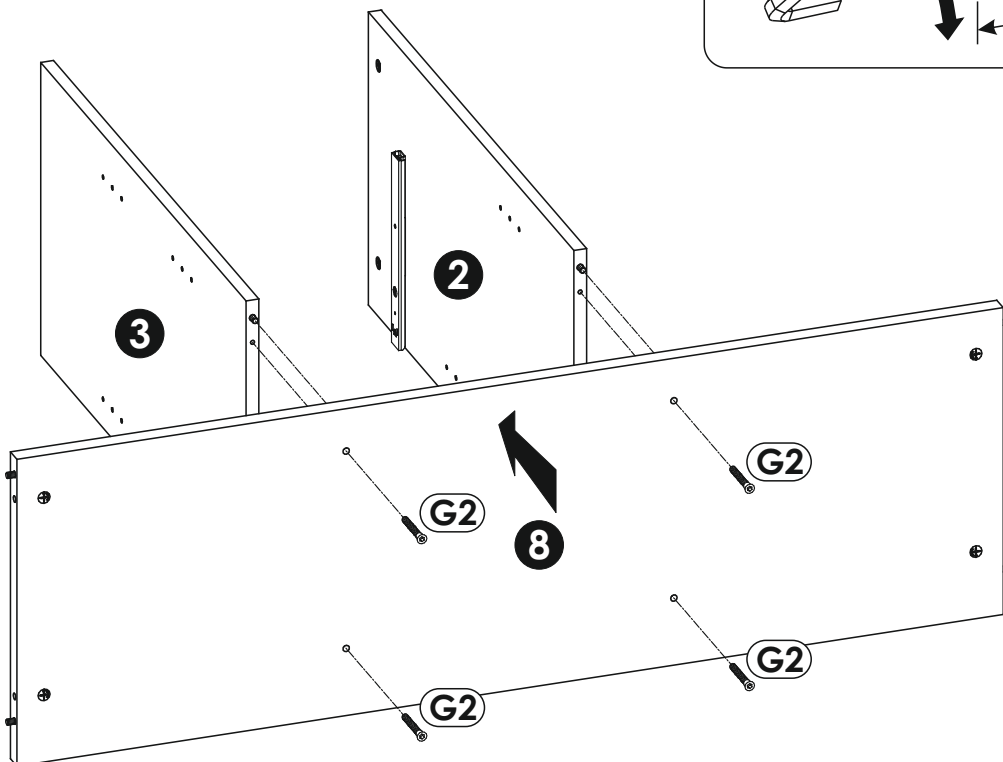
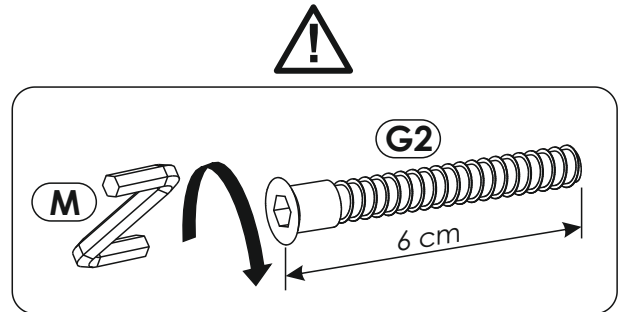
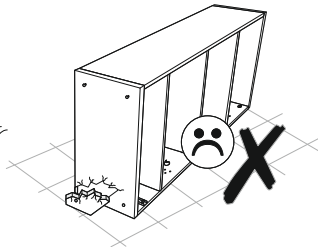
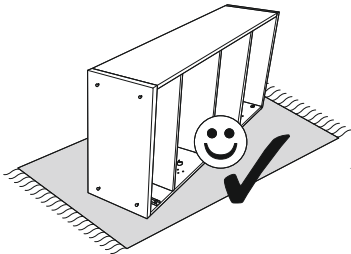
4 ▶



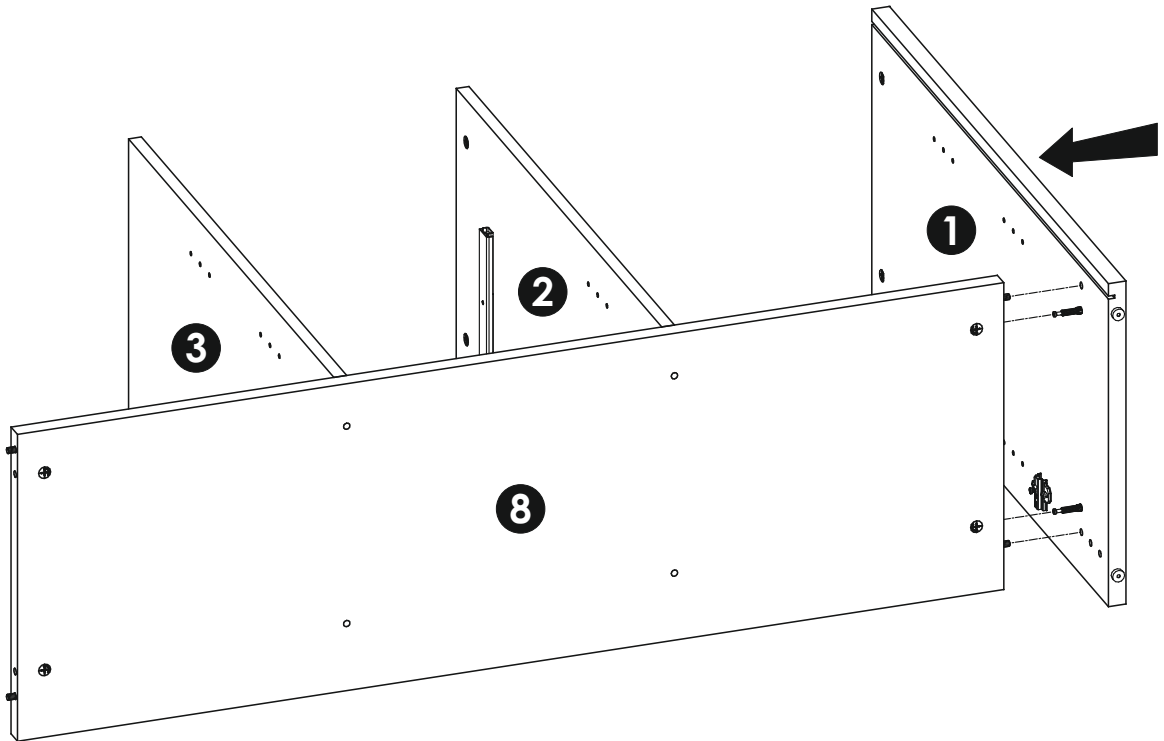
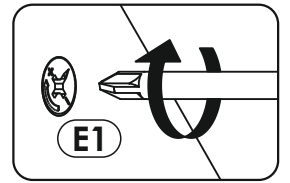
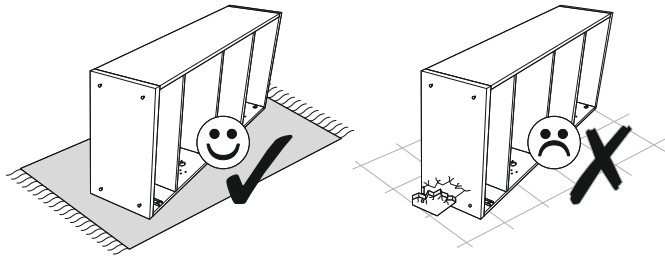
5 ▶



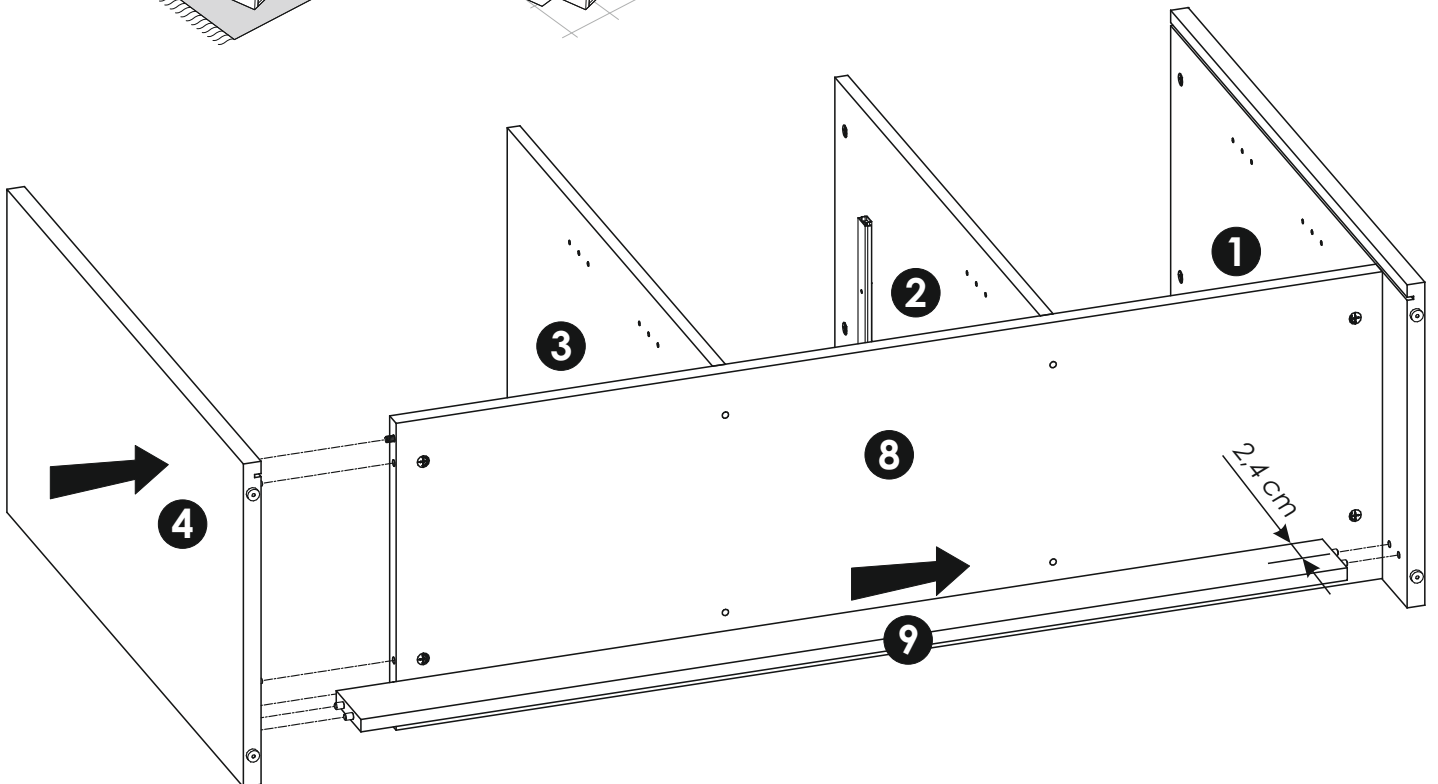
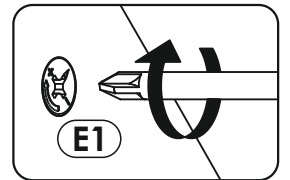
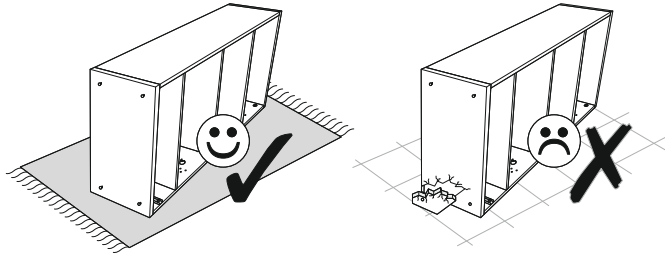
6 ▶



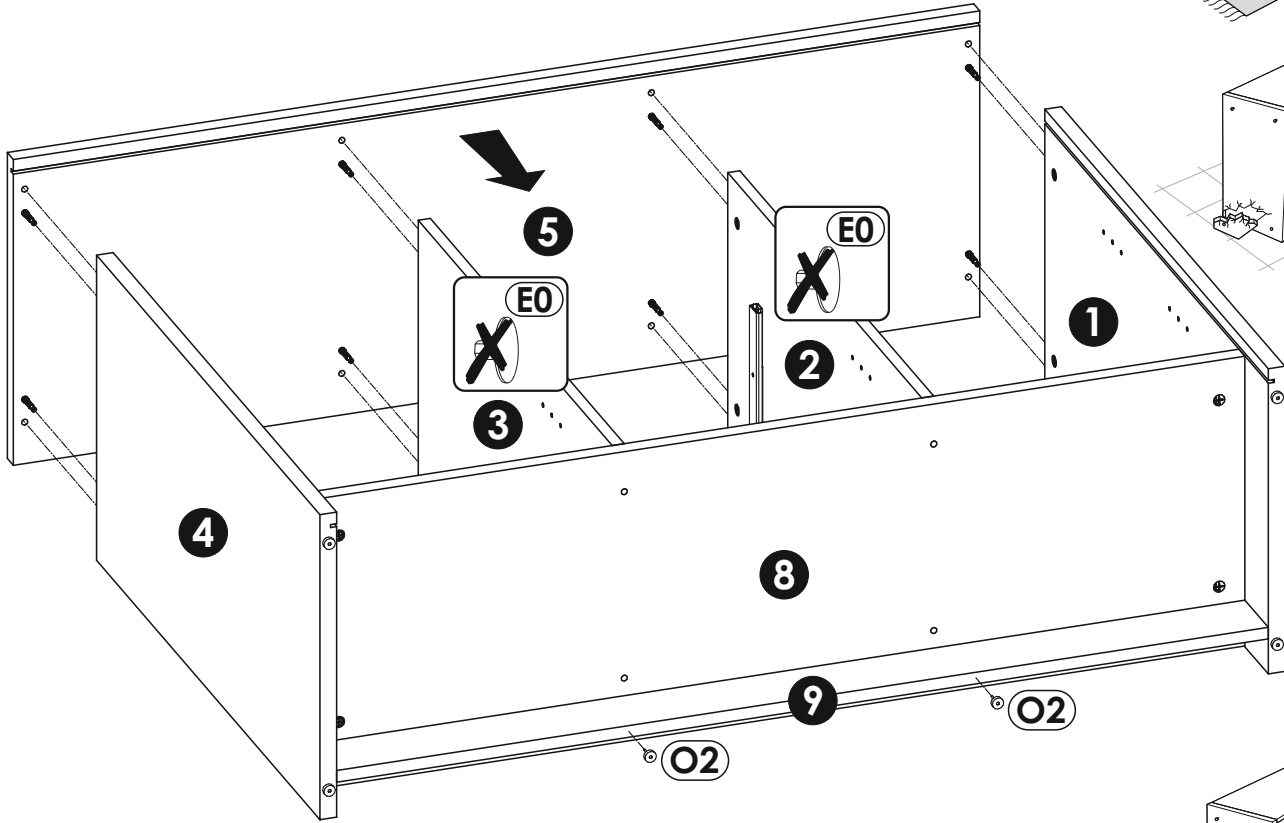
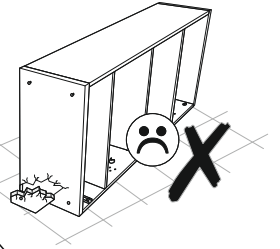
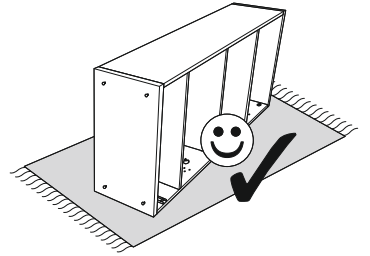
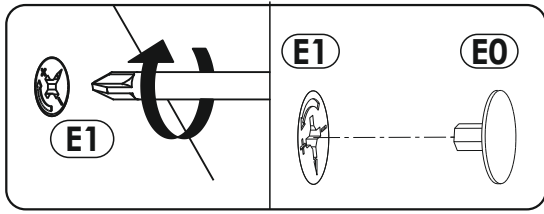
7 ▶



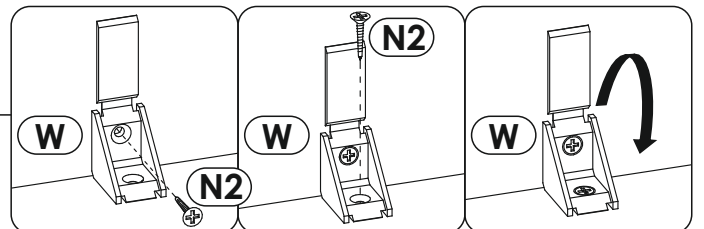
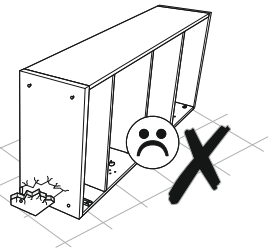
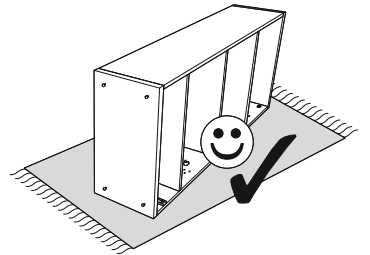
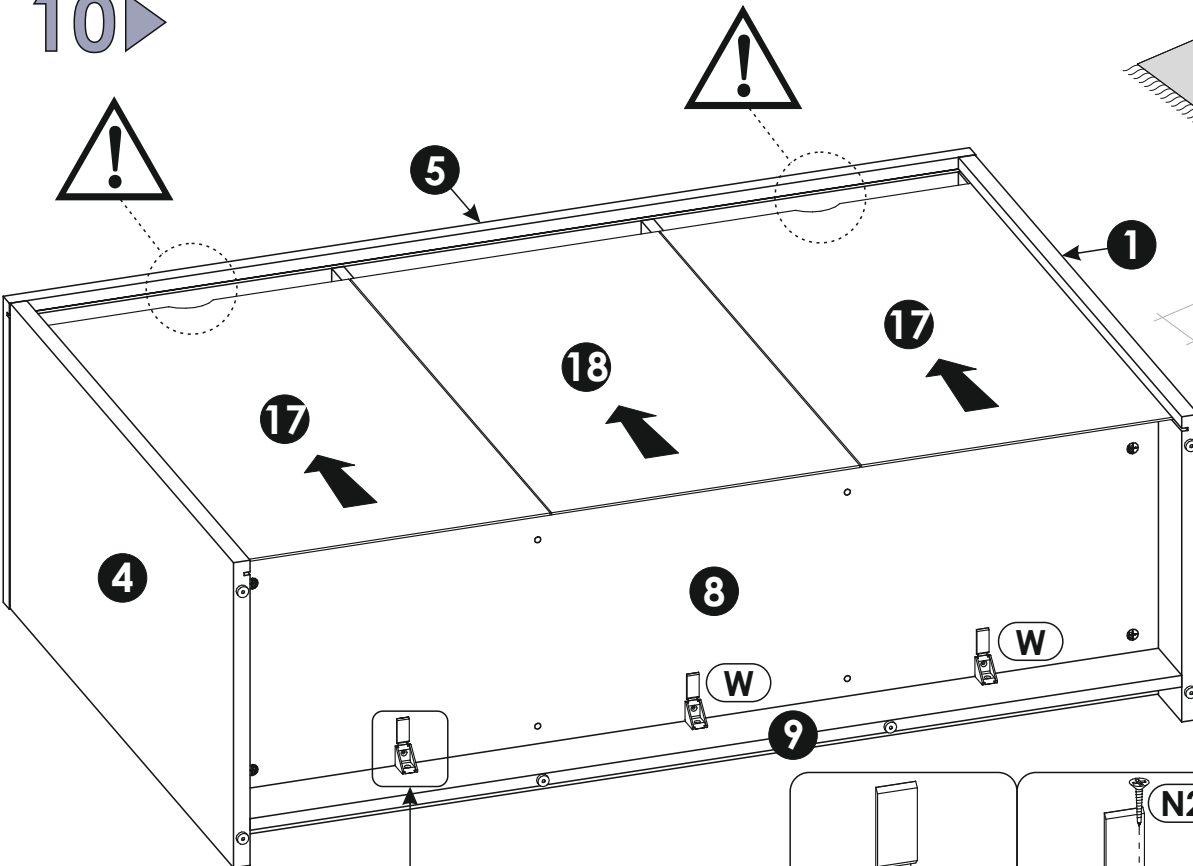
8 ▶



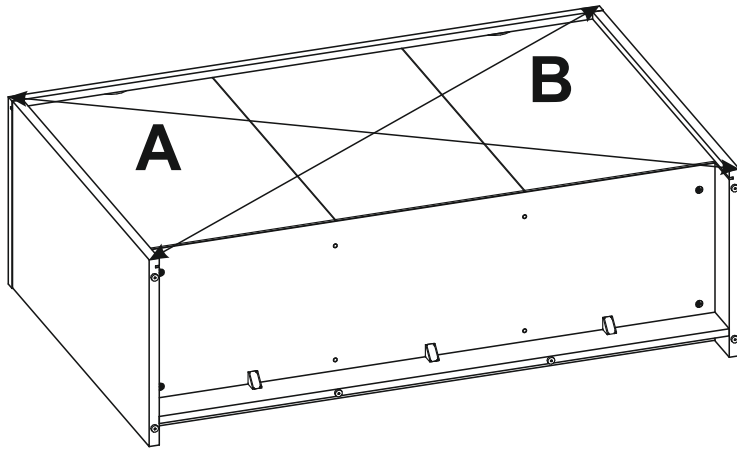
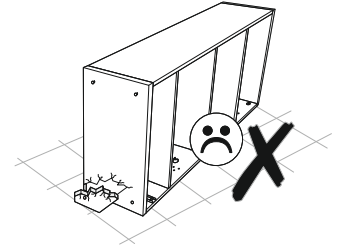
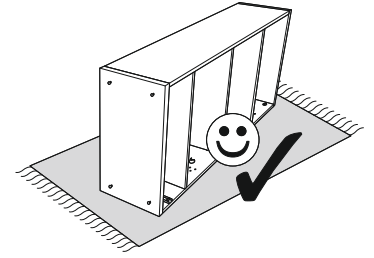
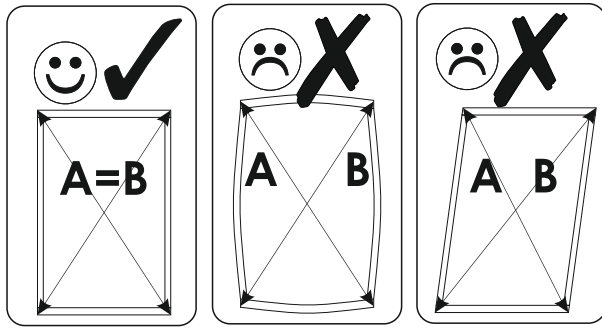
9 ▶



10 ▶

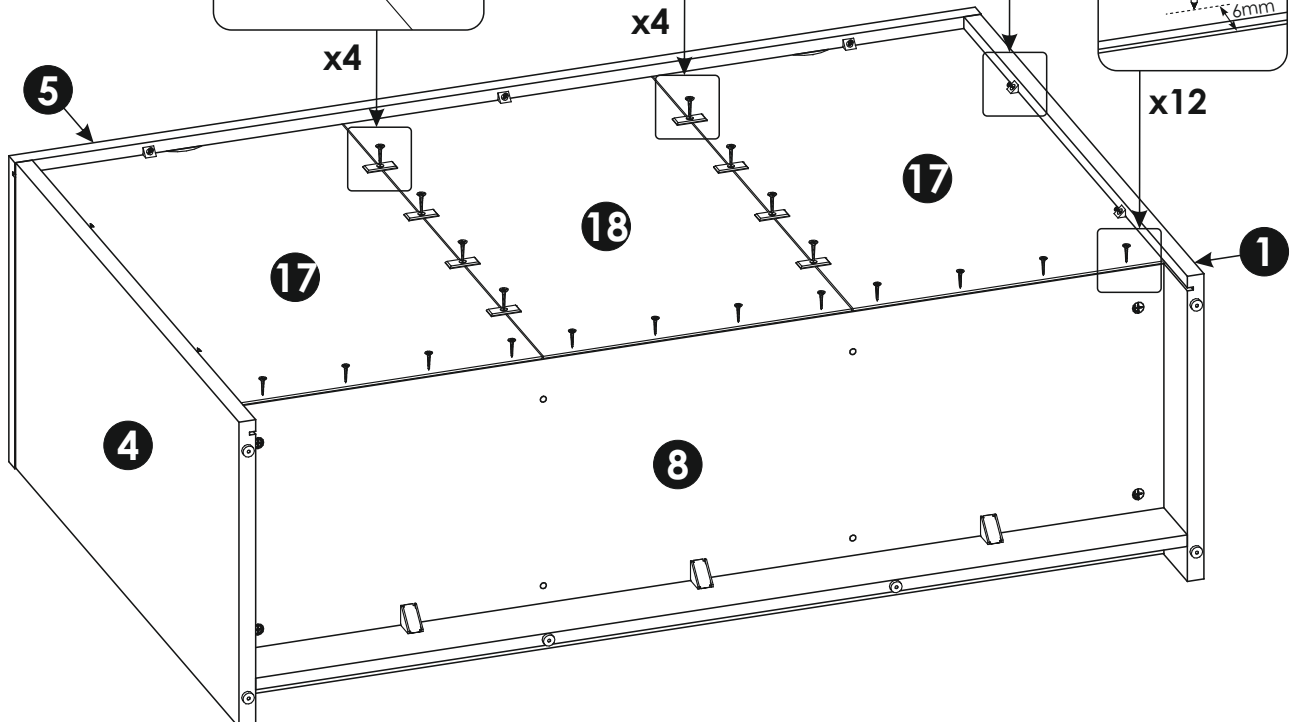
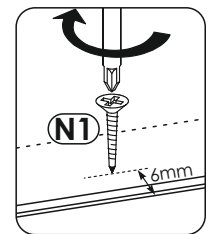
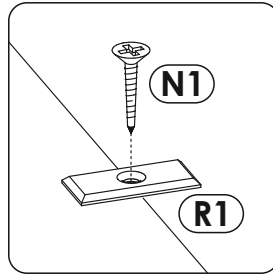
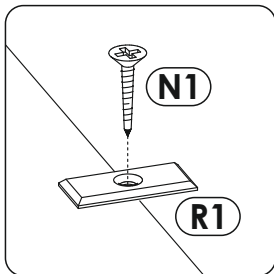
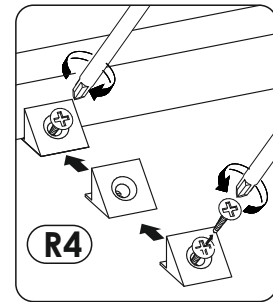
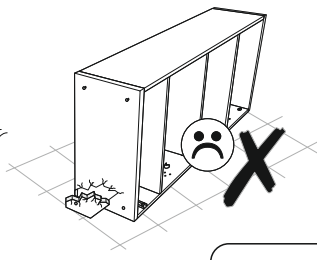
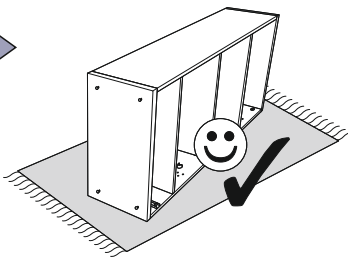


11 ▶

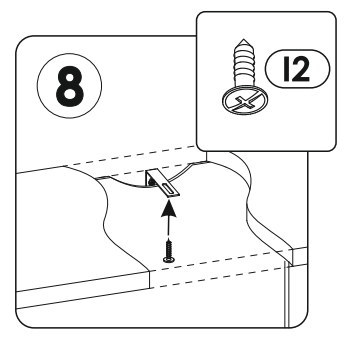
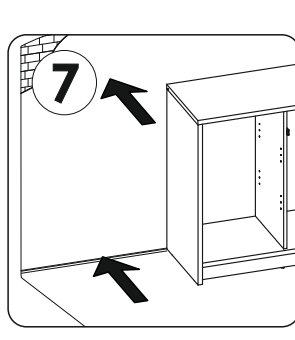
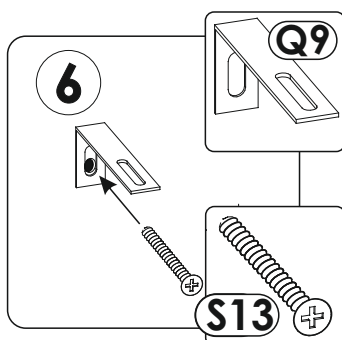
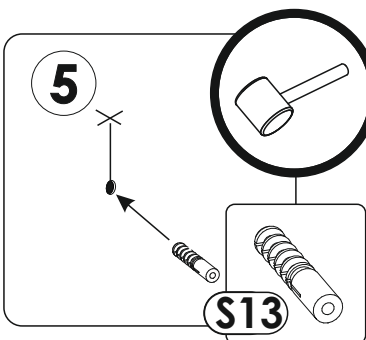
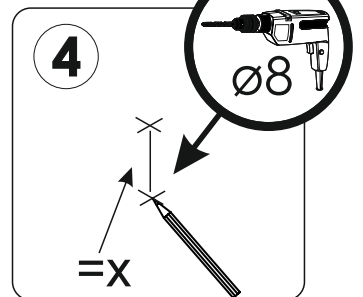
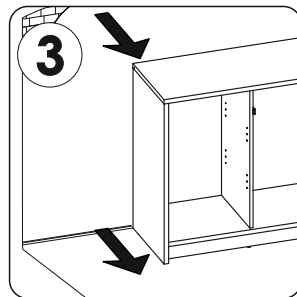
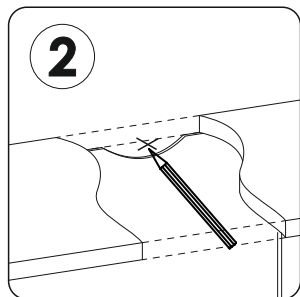
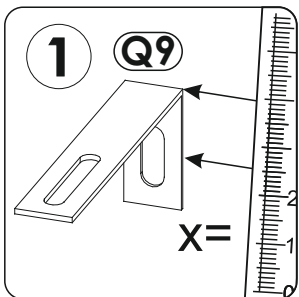
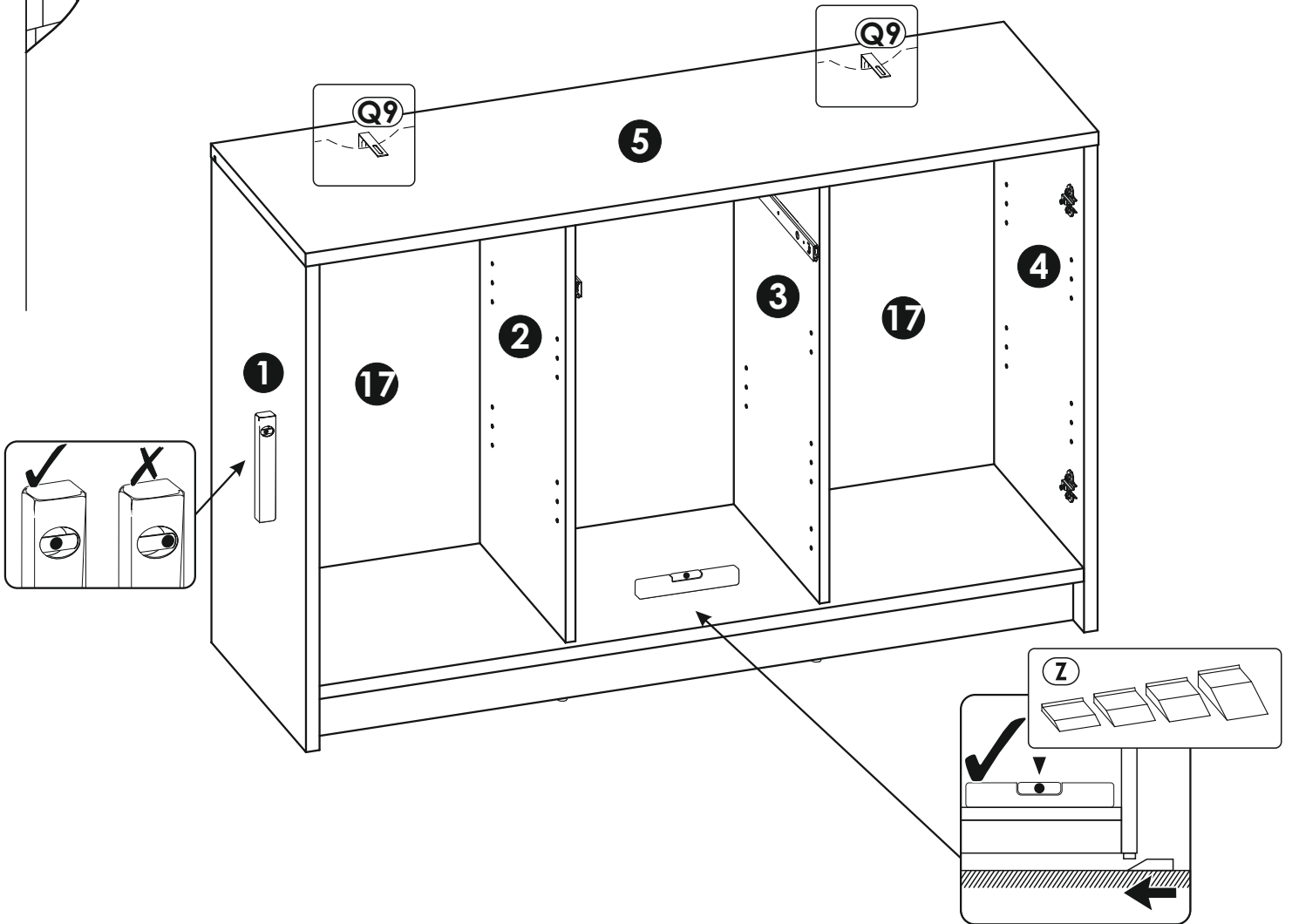
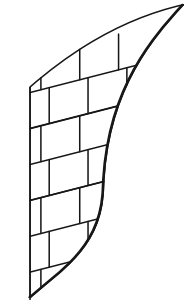
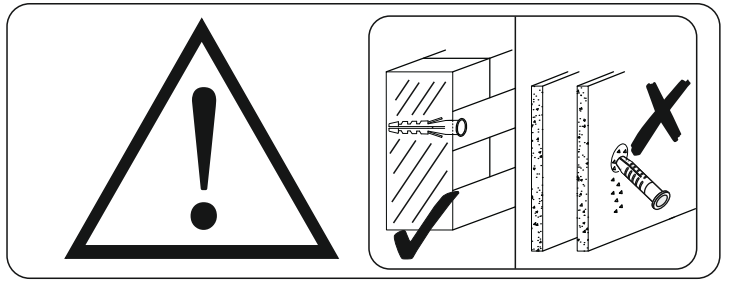


A=B

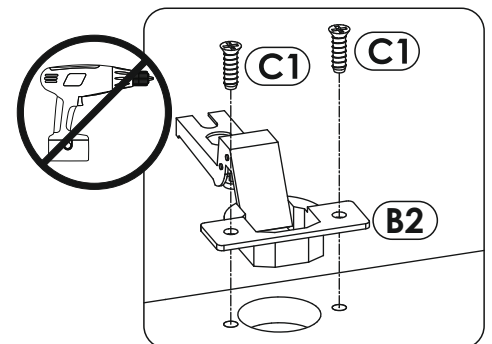
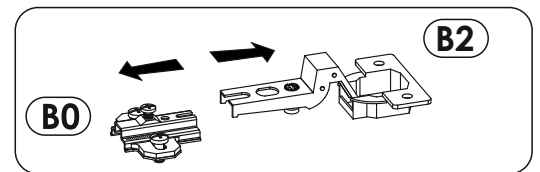
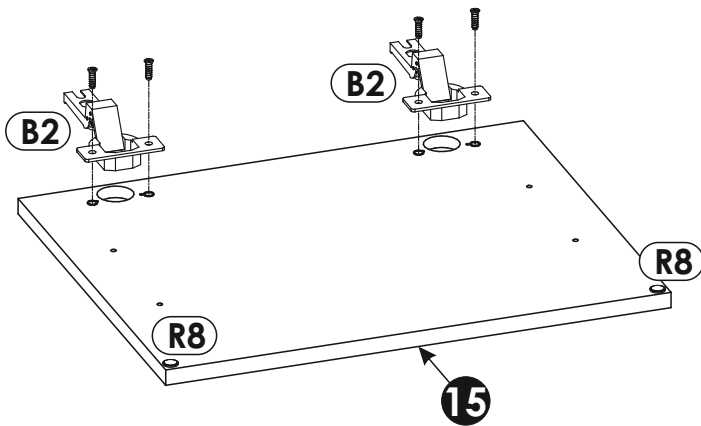
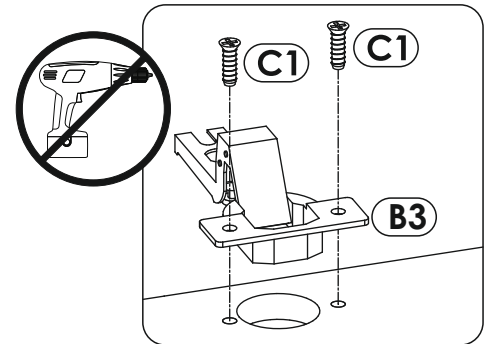
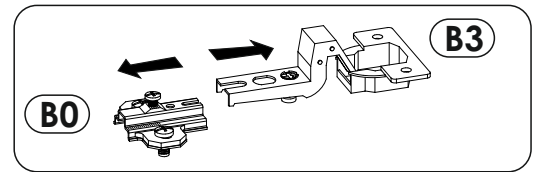
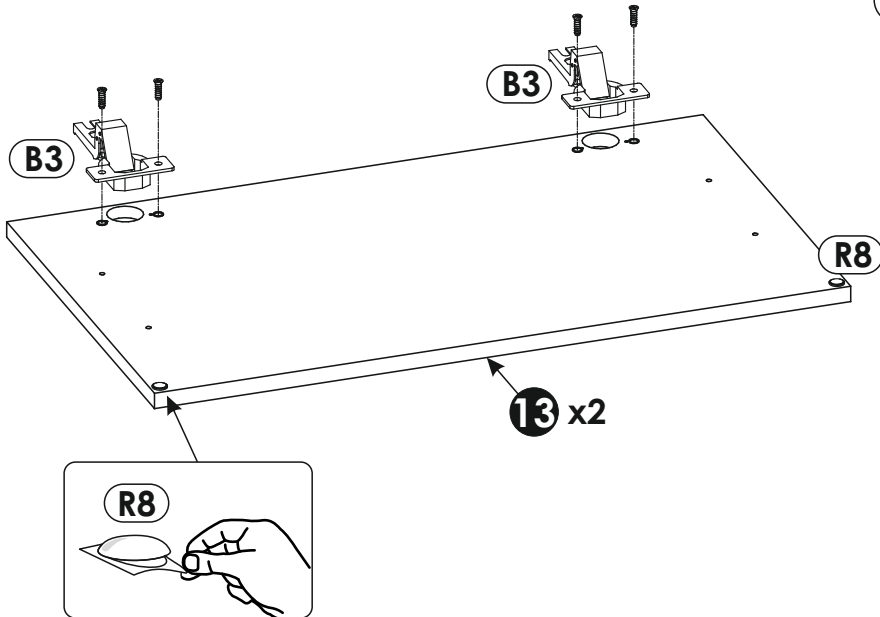
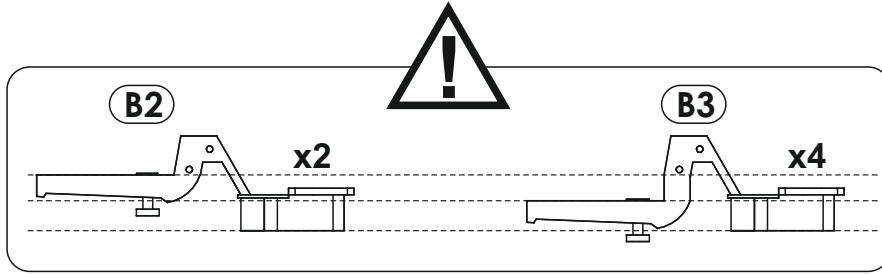
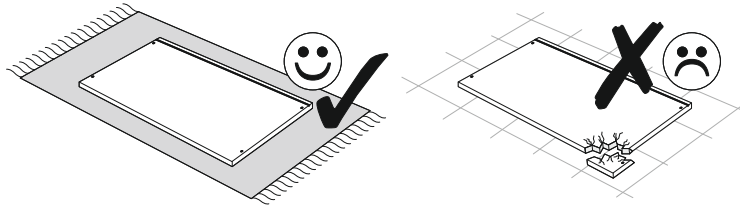
12 ▶



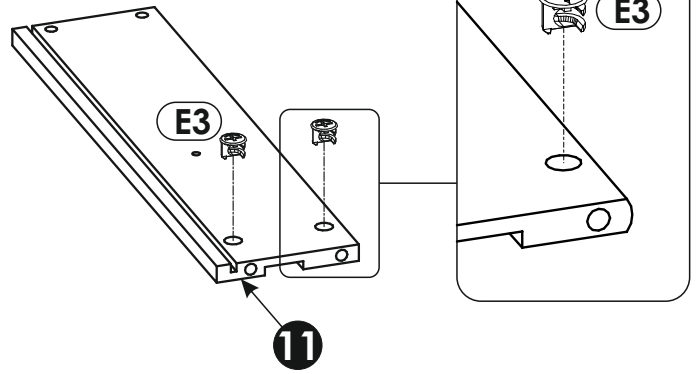
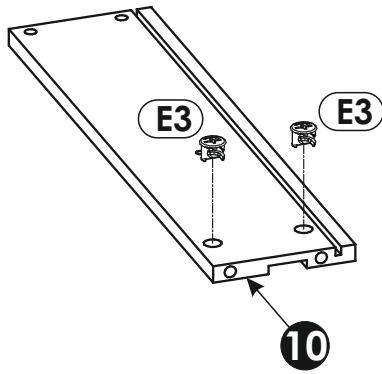
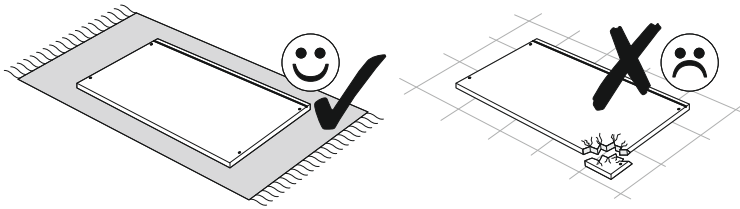
13 ▶



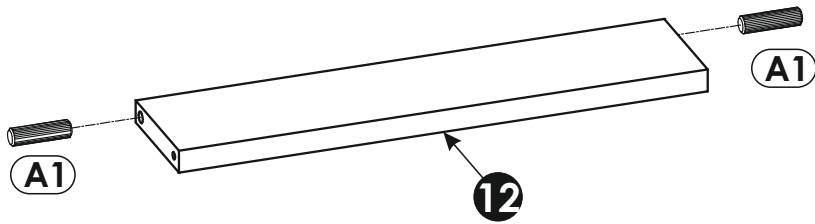
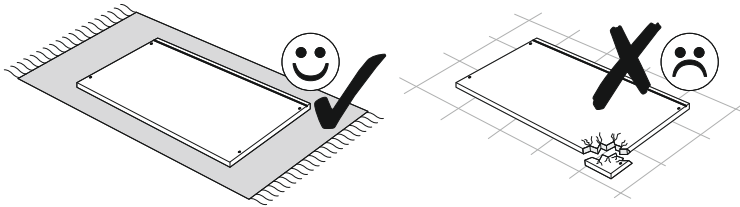
14▶



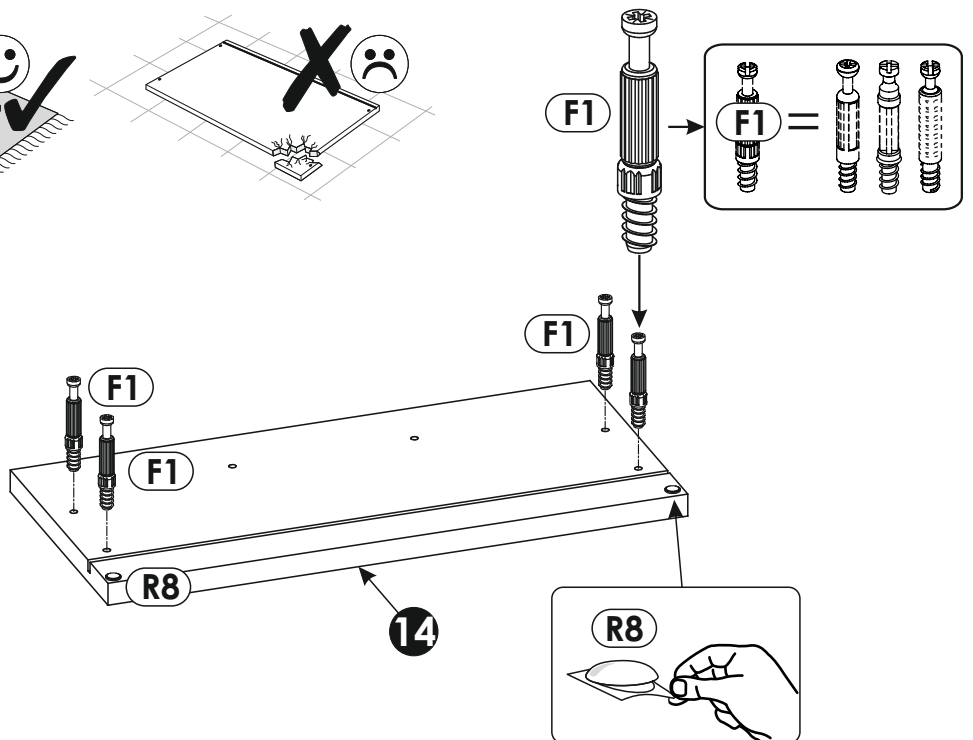
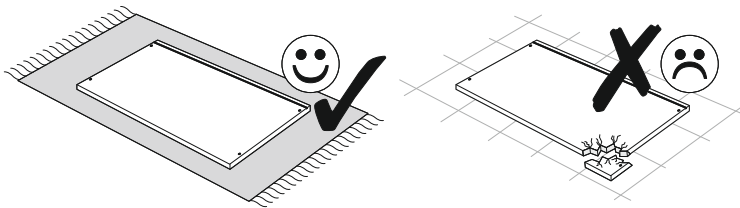
15▶



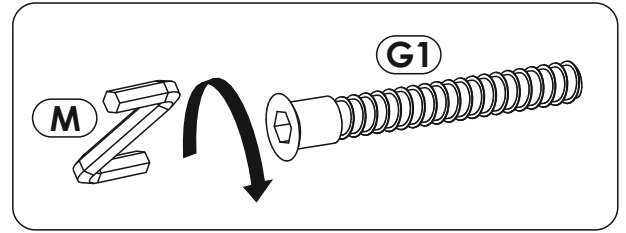
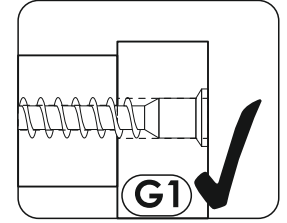
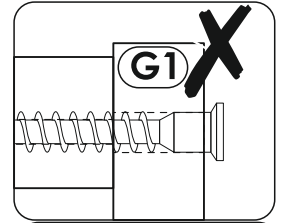
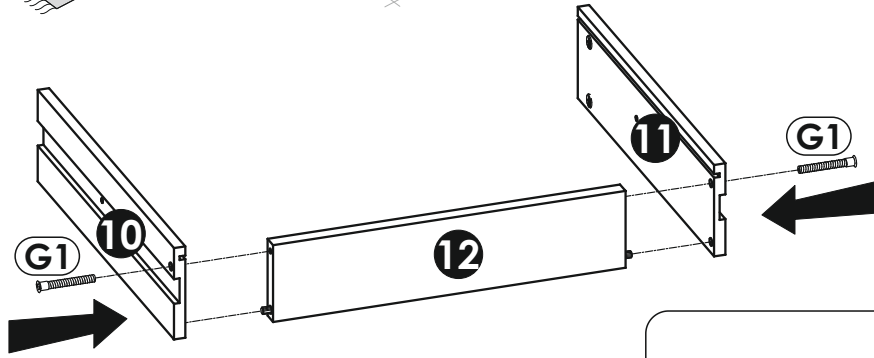
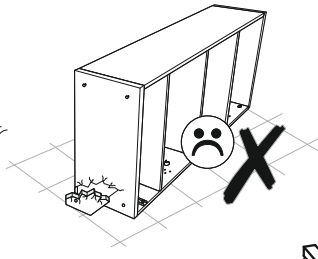
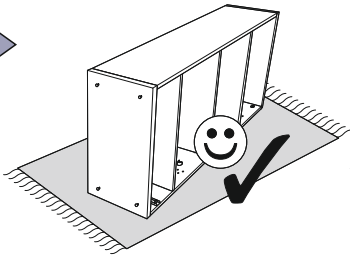
16▶



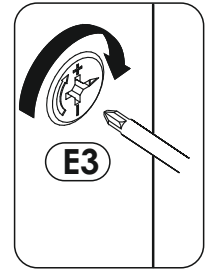
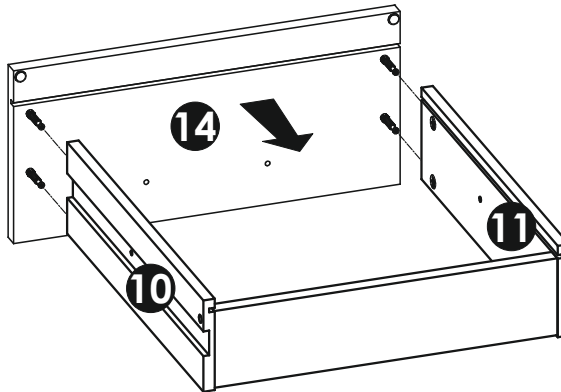
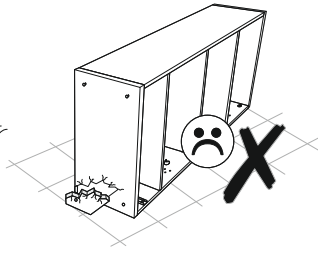
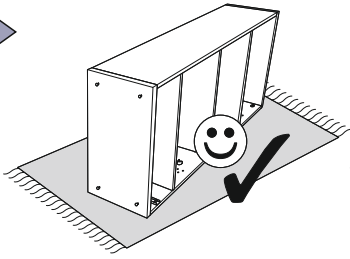
17▶



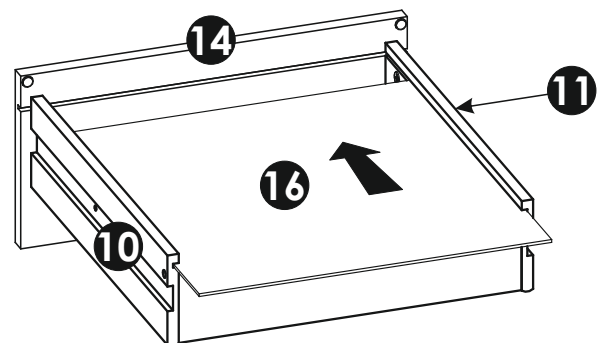
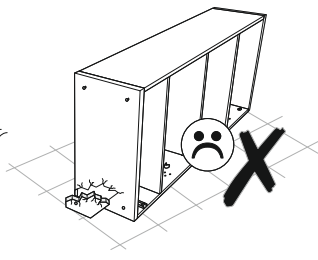
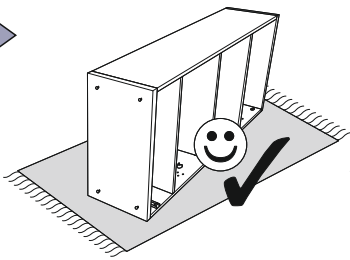
18▶



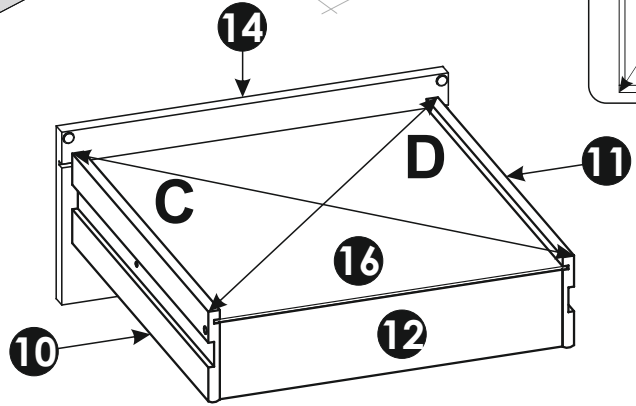
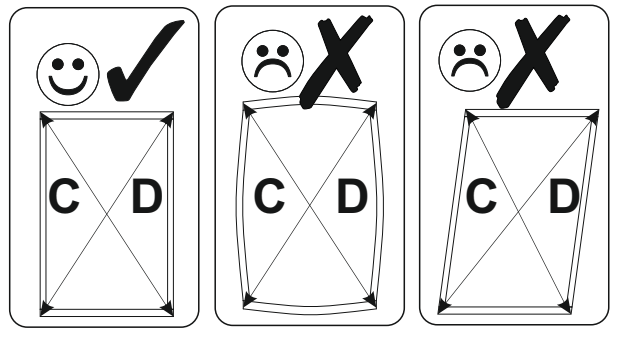
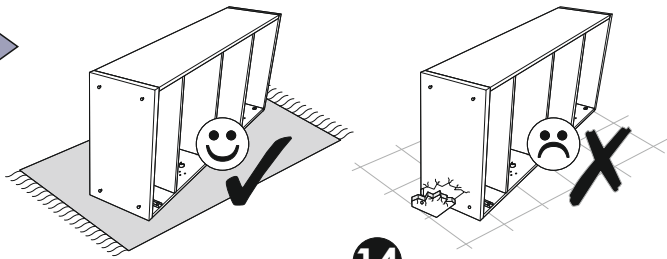
19▶



20▶

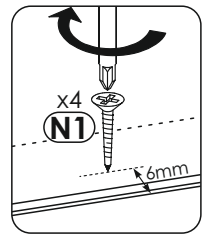
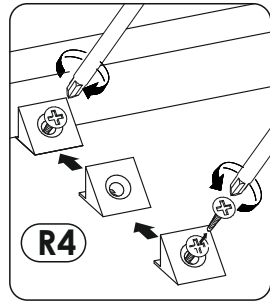
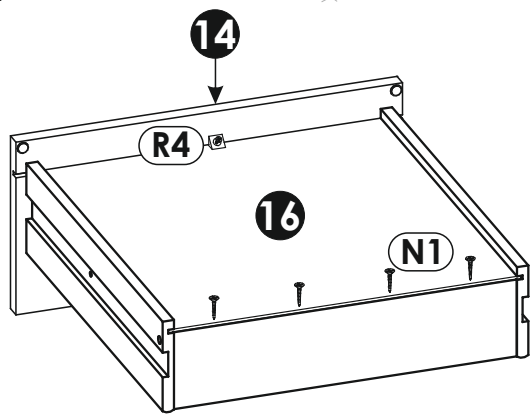
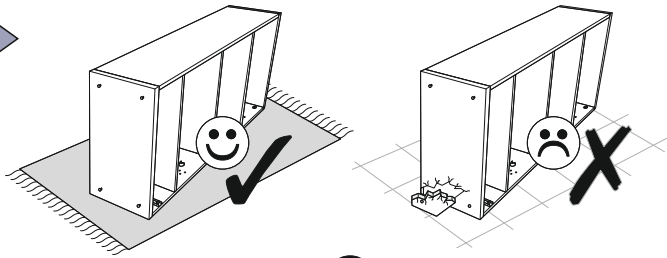


21 ▶

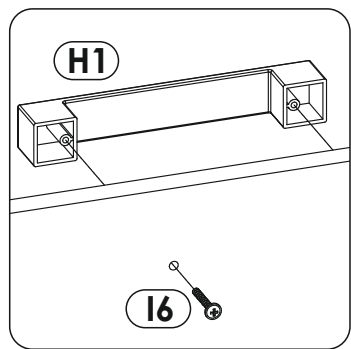
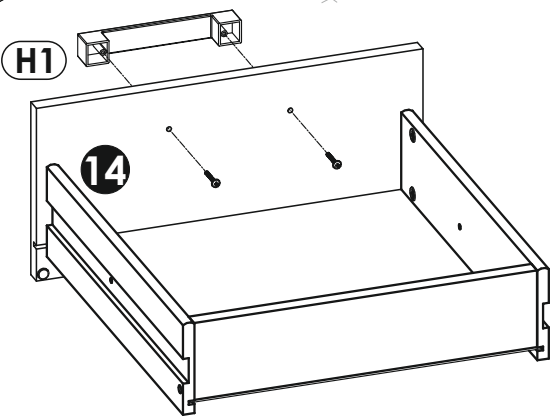
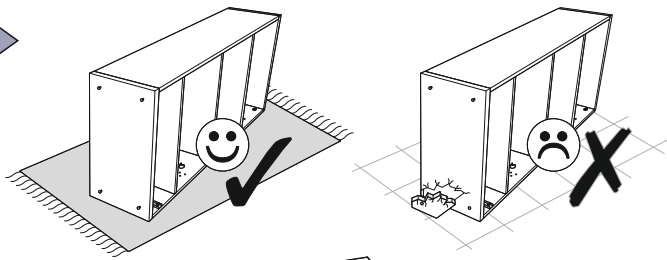


C=D

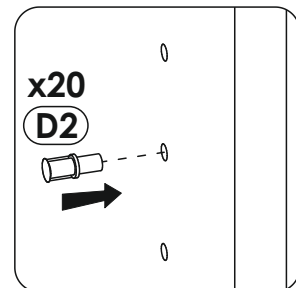
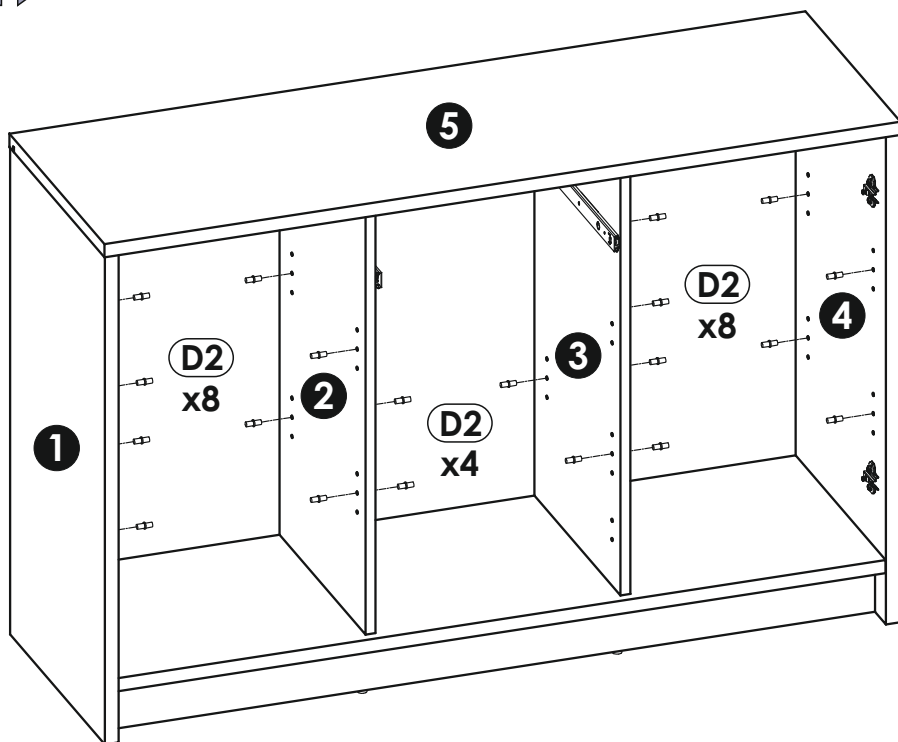
22 ▶



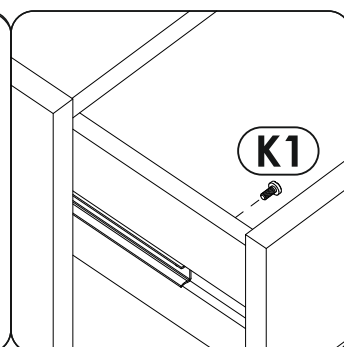
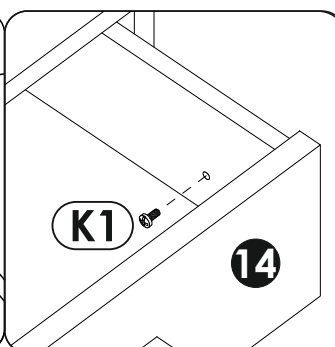
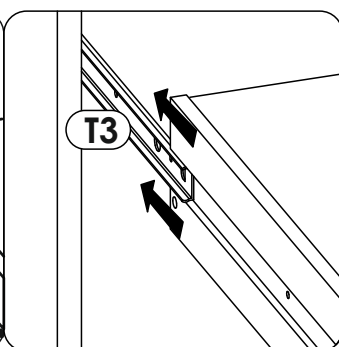
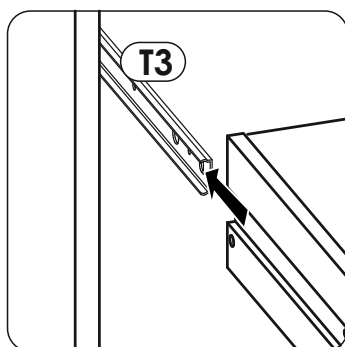
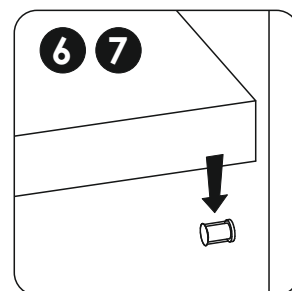
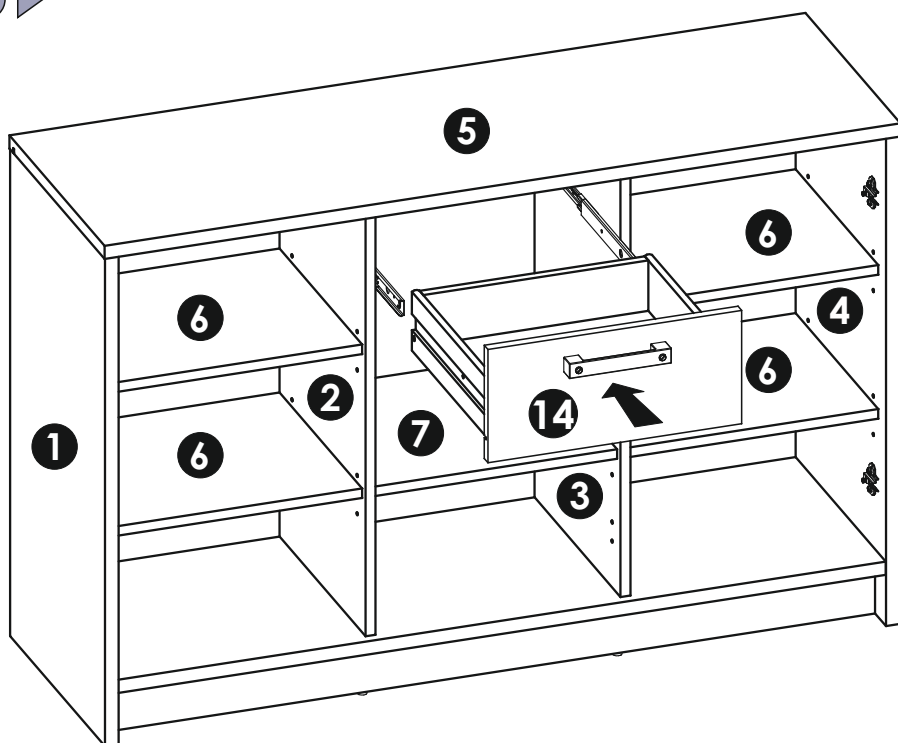
23 ▶

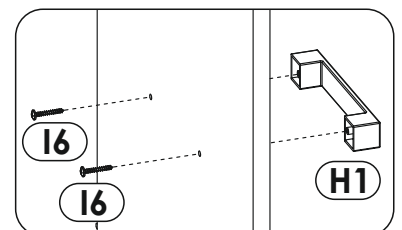
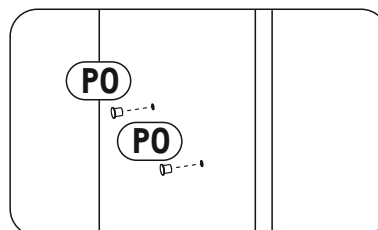
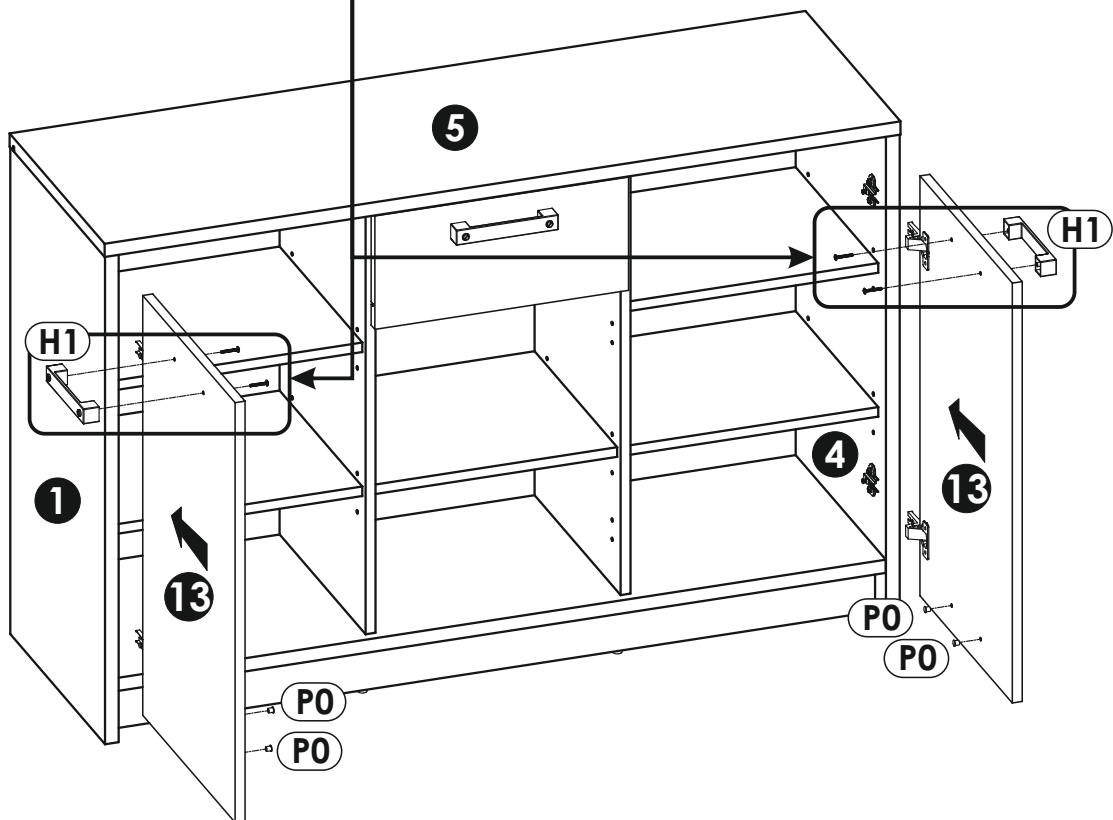
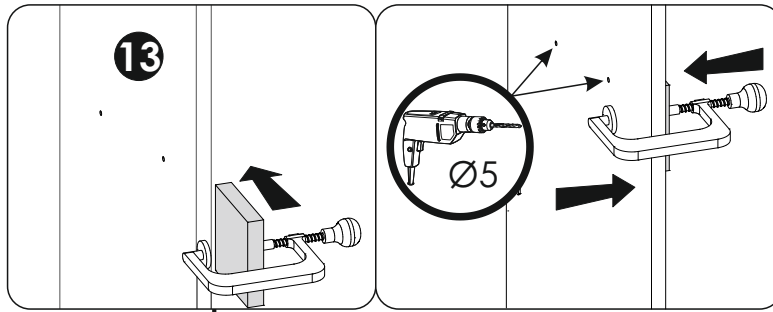
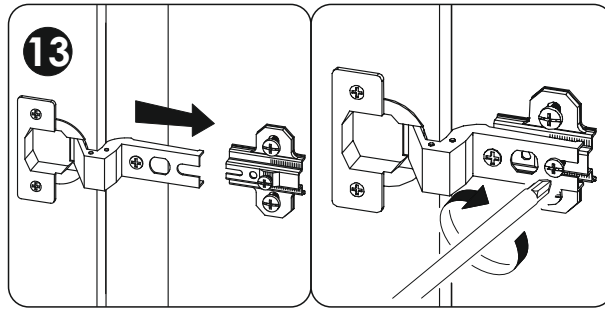


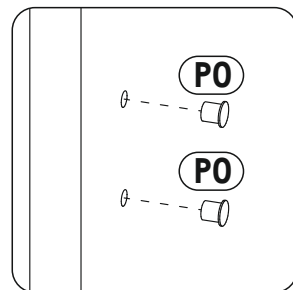
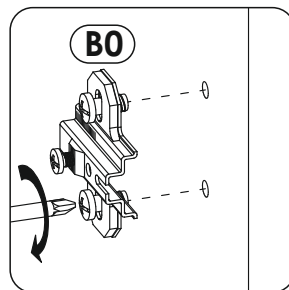
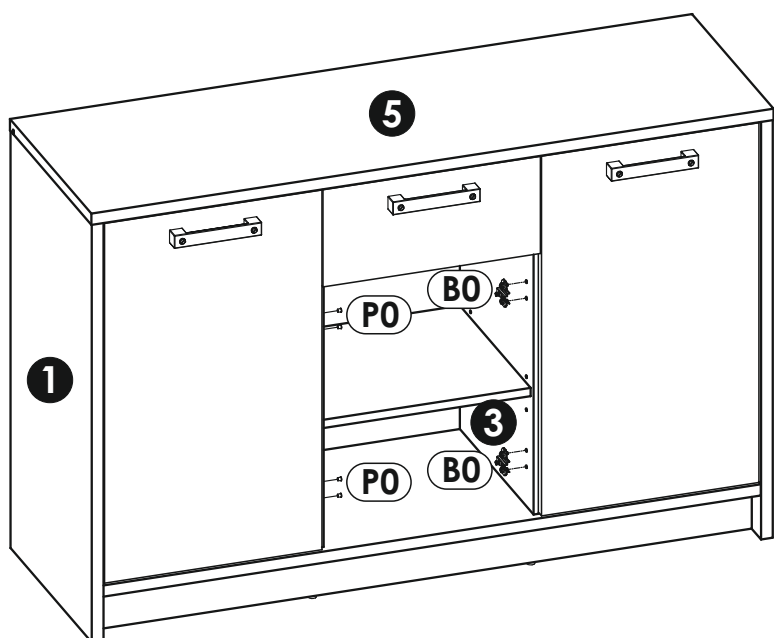
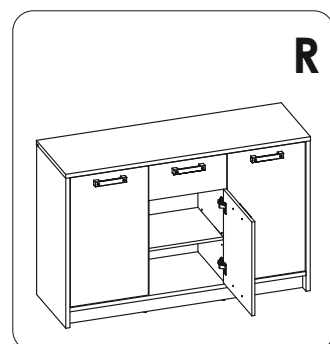
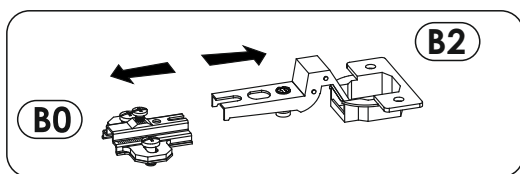
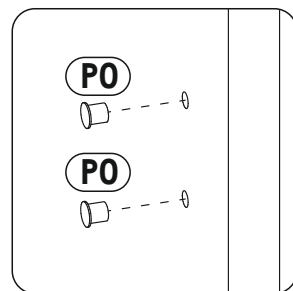
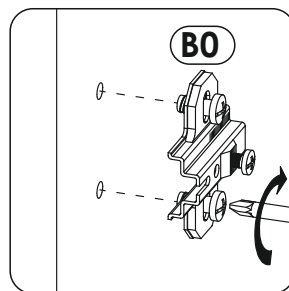
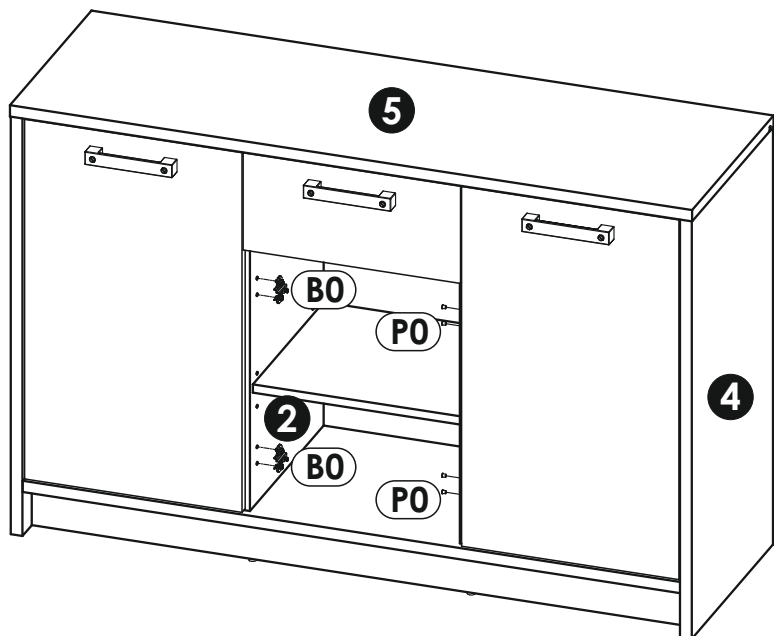
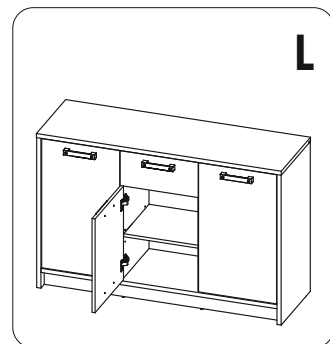
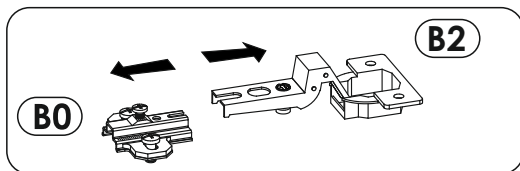
24 ▶

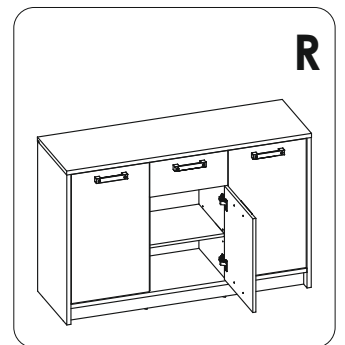
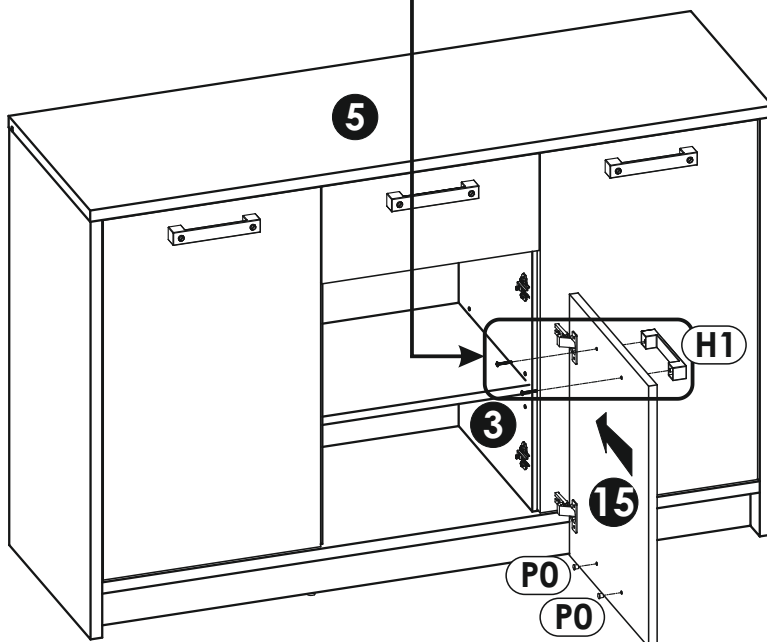
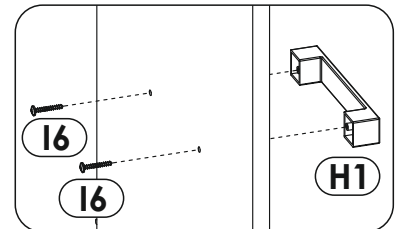
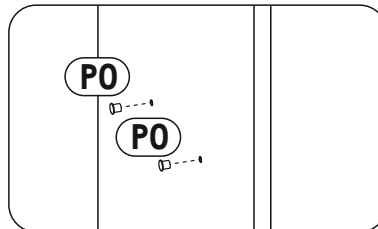
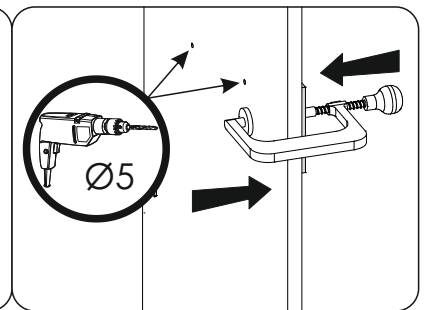
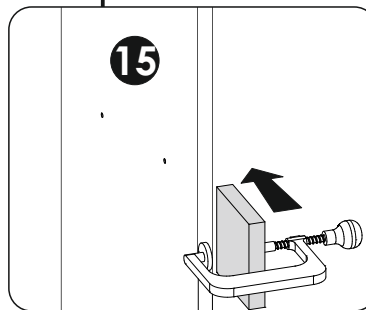
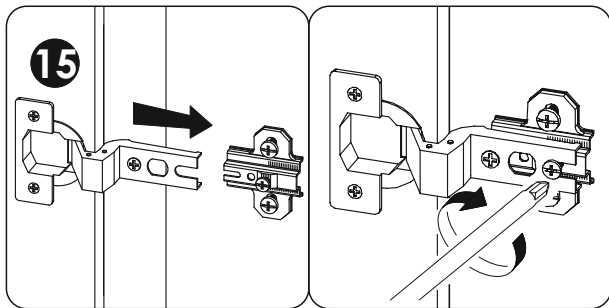
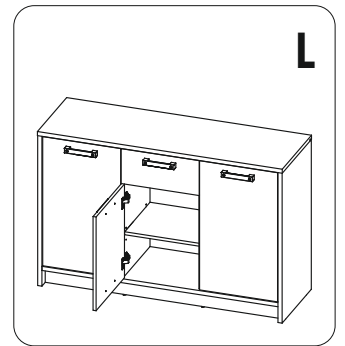
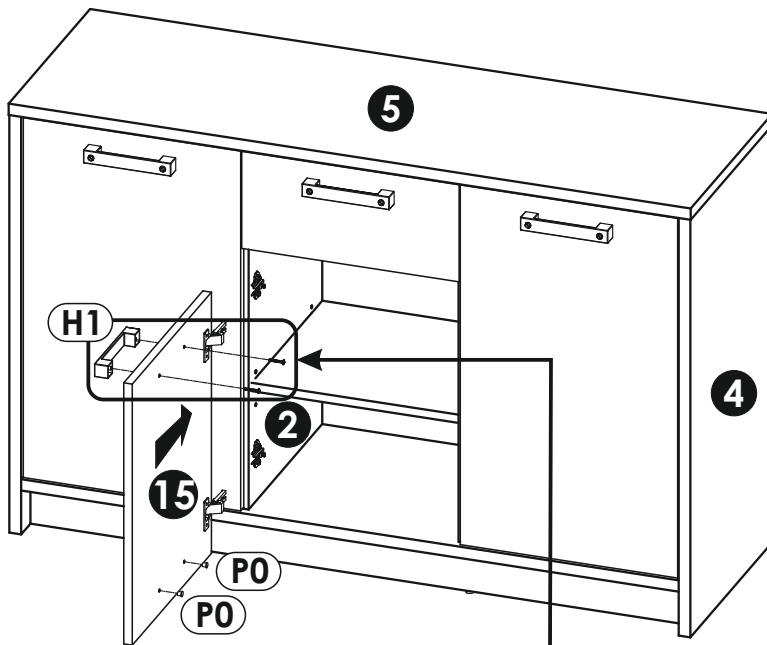


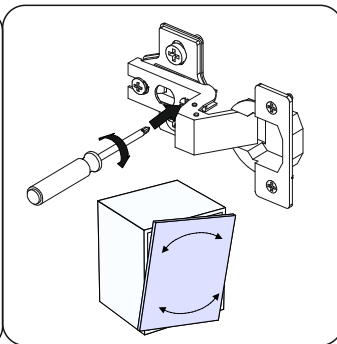
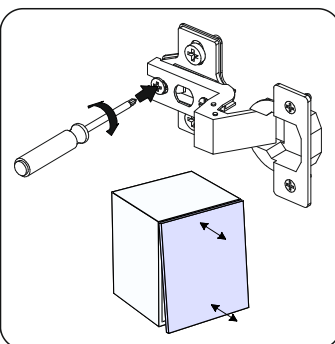
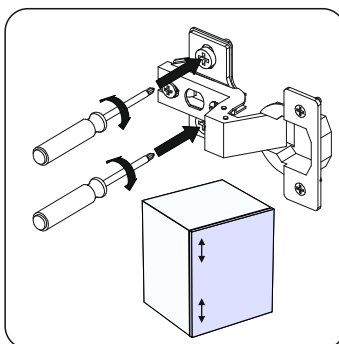
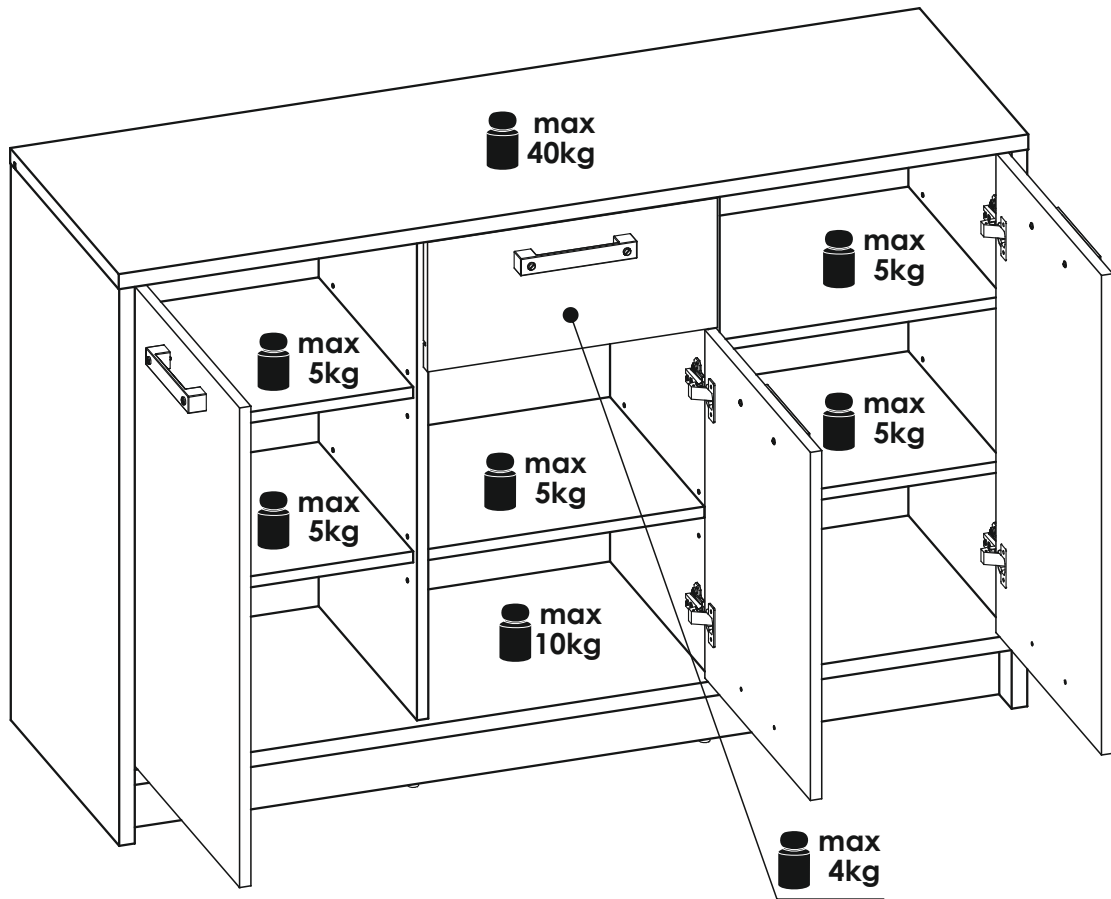
25 ▶

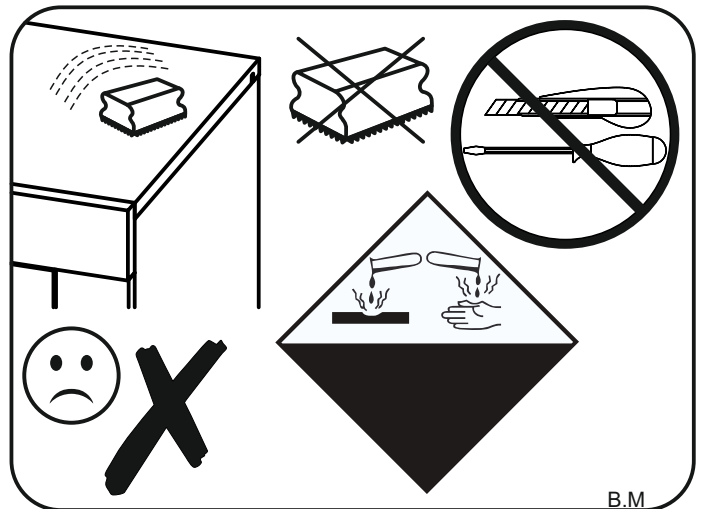
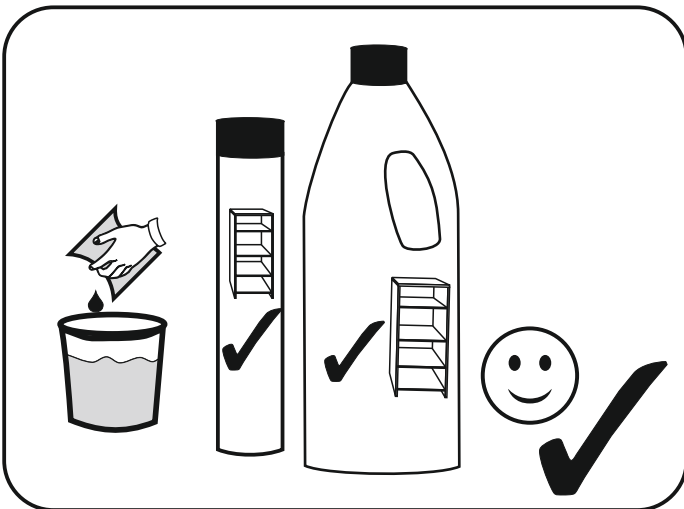
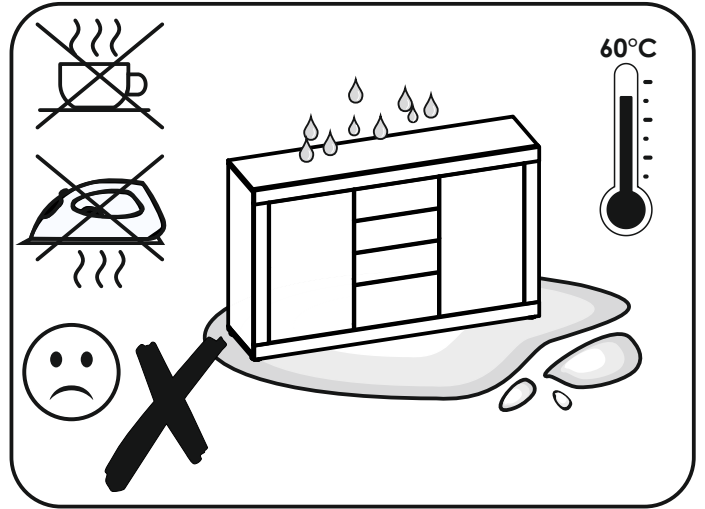
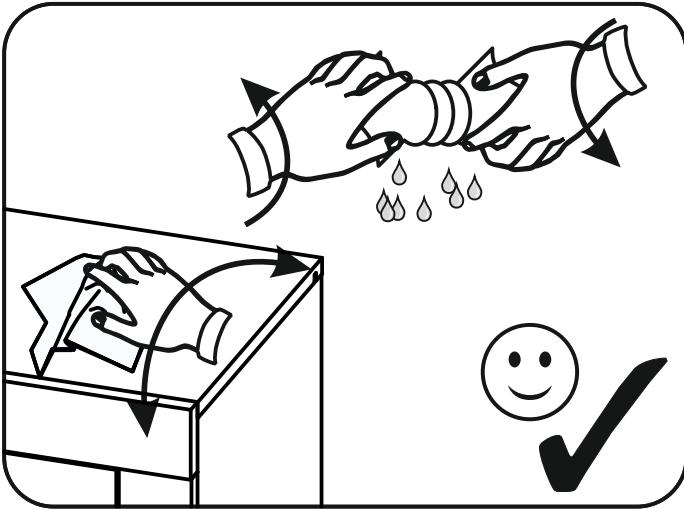
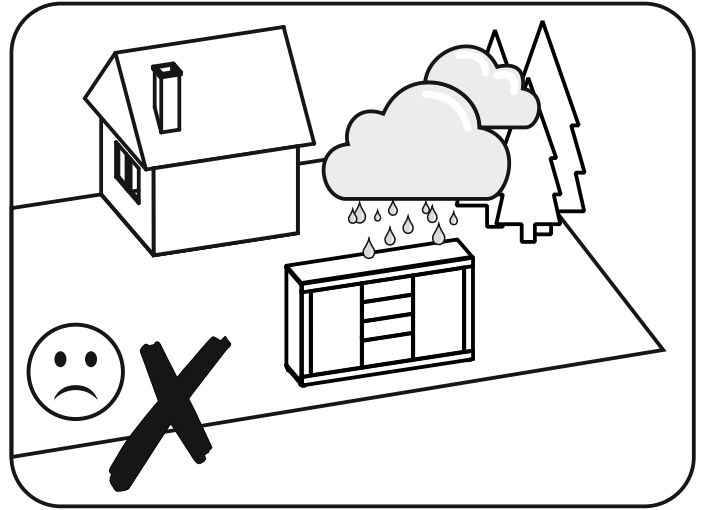
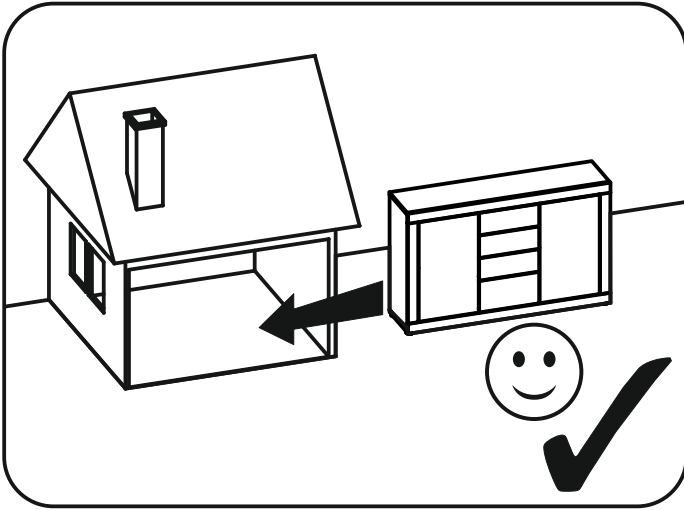
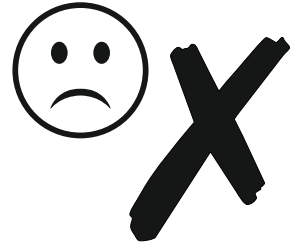




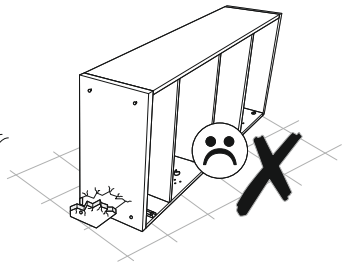
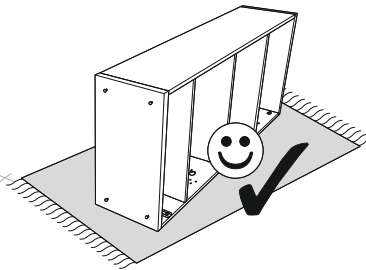
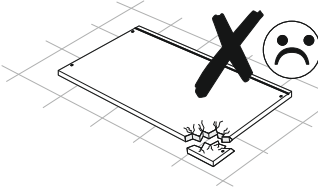
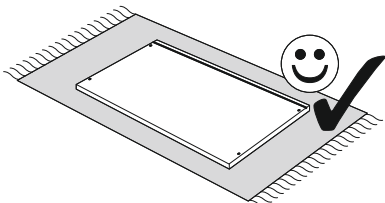
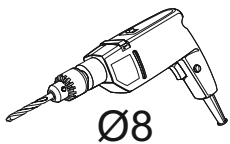
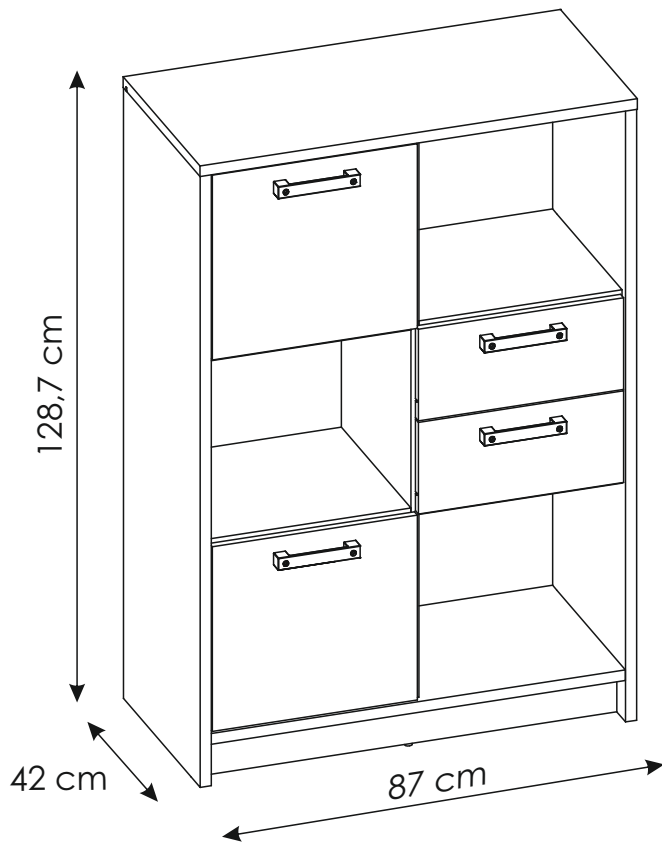
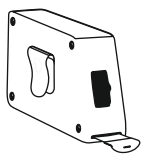
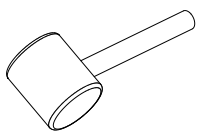
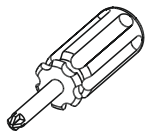
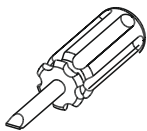
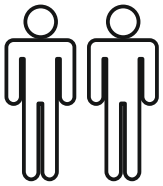


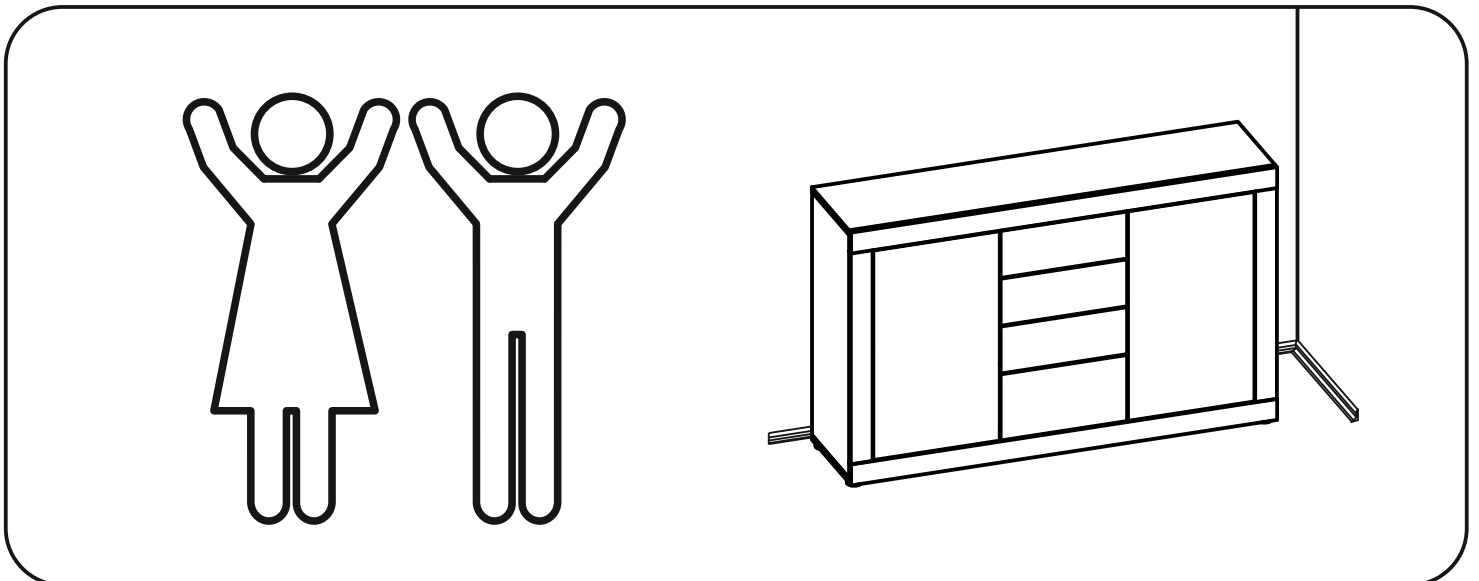
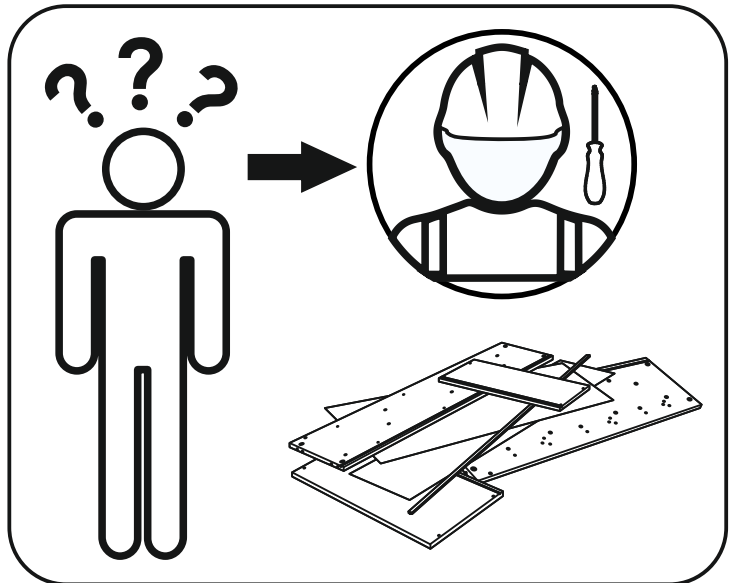
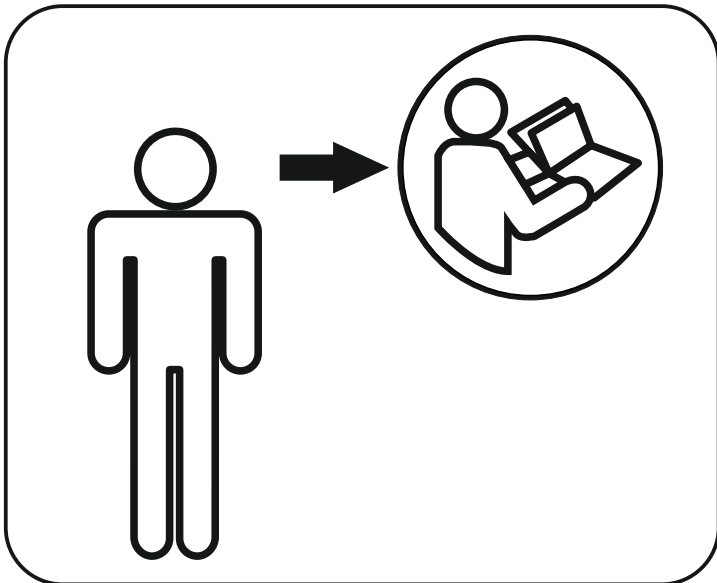
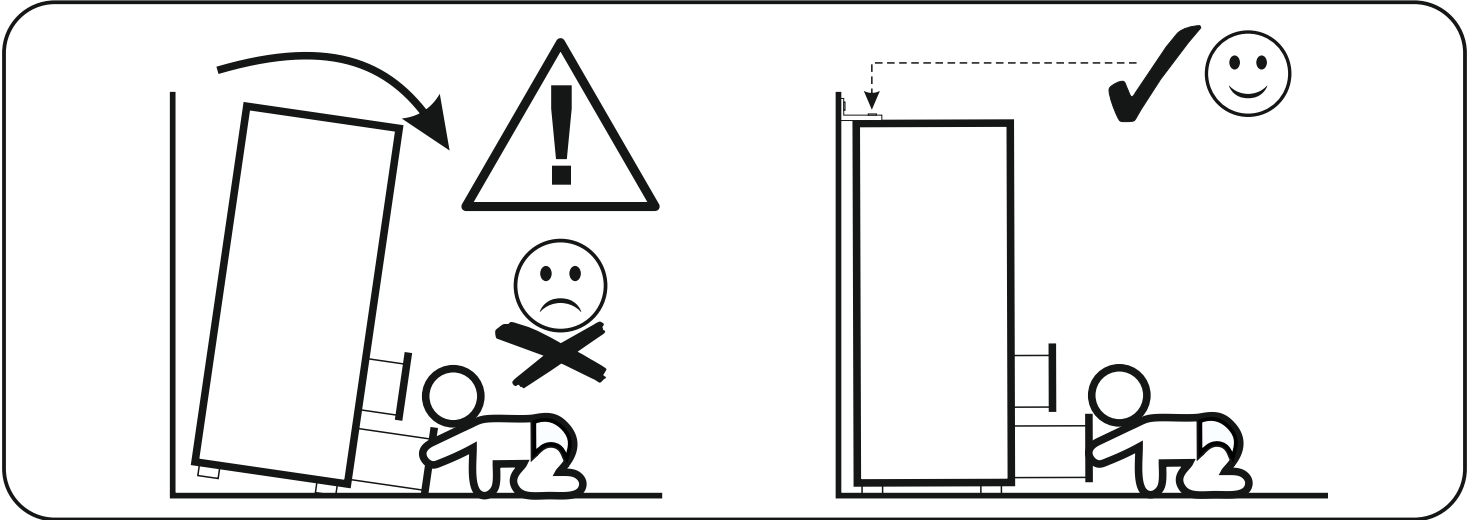
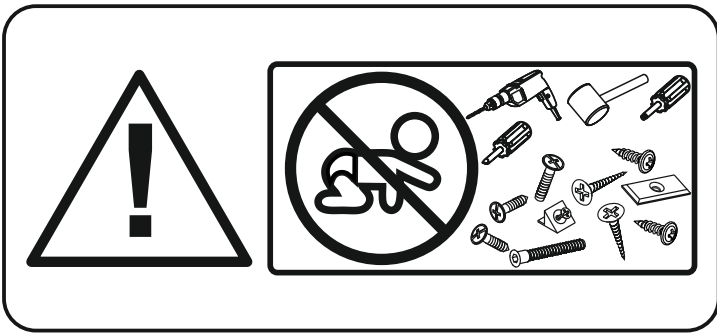






B.M



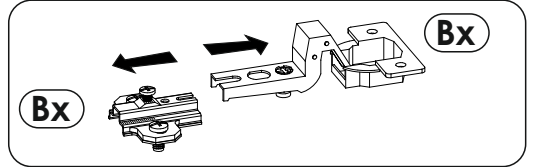
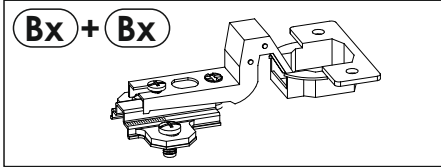
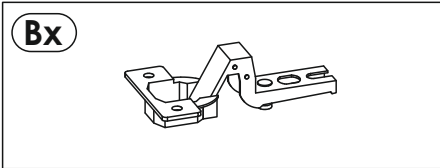
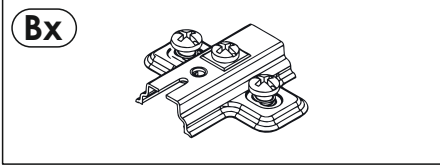


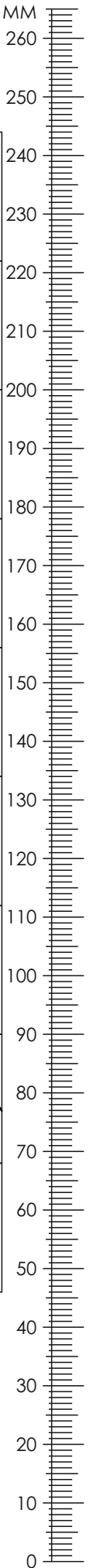


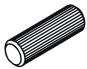
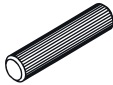
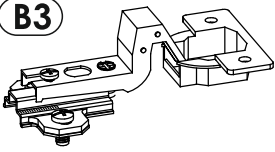





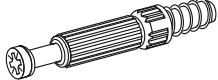

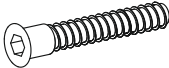
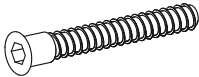




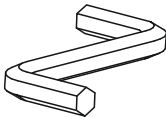
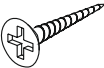
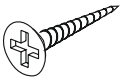
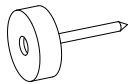
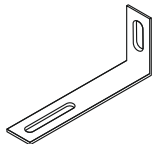
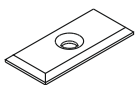
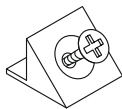
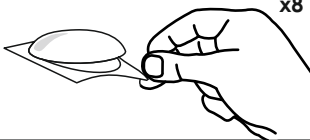
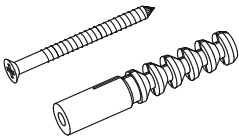
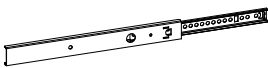
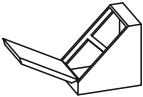
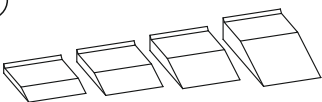
A

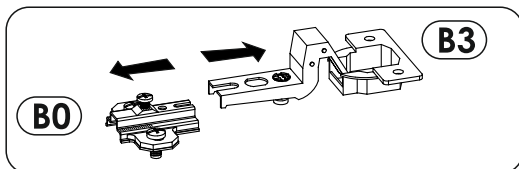


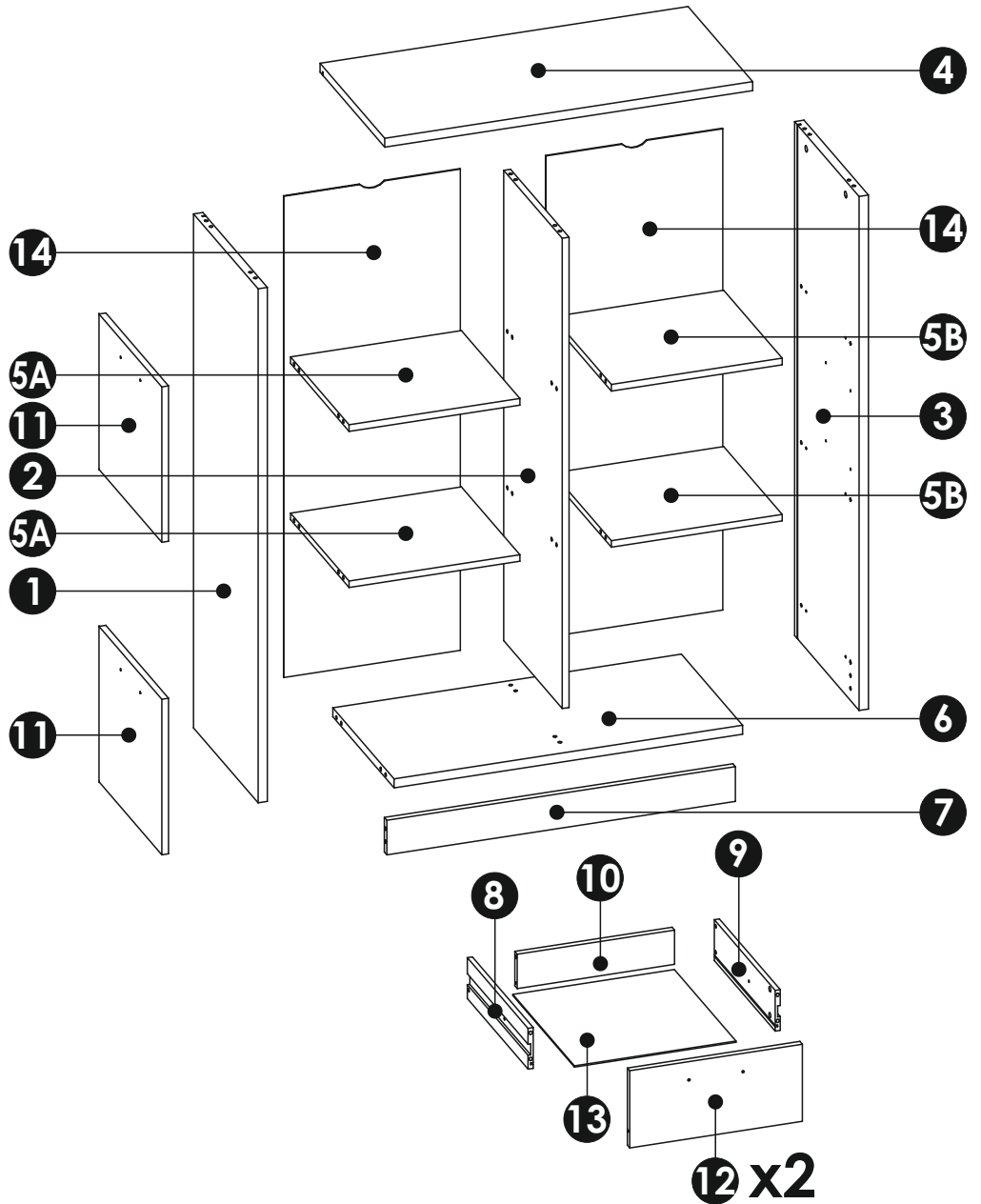
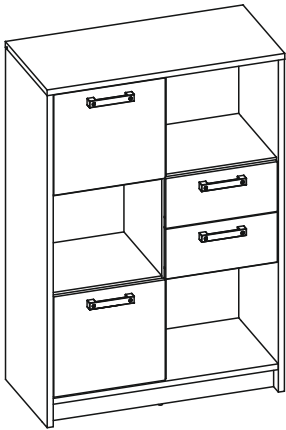
B



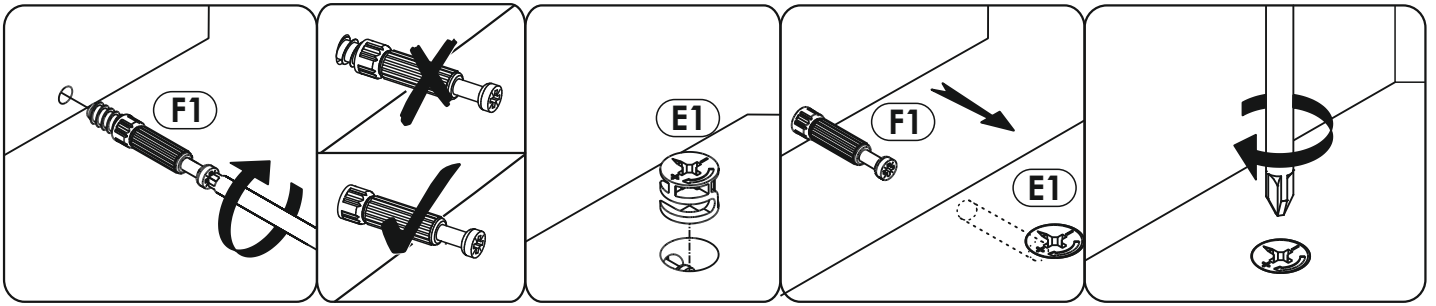


A1 8 x 35 mm x28 	A3 8 x 60 mm x4 	B0 + B3 x4 
C1 4 x 13 mm x8 	C2 5 x 13 mm x8 	E0 x18 
E1 15 x 12 mm x26 	E3 13 x 10,7 mm x8 	F1 6 x 34 mm x26 
F2 7 x 82 mm x4 	G1 7 x 50 mm x4 	G2 7 x 60 mm x2 
H1 x4 	I2 4 x 16 mm x2 	I6 4 x 27 mm x8 
K1 4 x 9 mm x4 	M x1 	N1 3 X 16 mm x25 
N2 3,5 X 16 mm x4 	O2 x5 	Q9 x2 
R1 x7 	R4 x10 	R8 x8 
S13 x2  ø8	T3 L-251 x4 	W x2 
Z x1 		

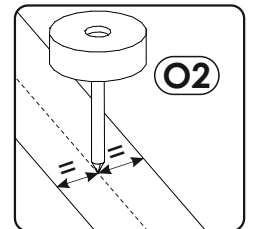
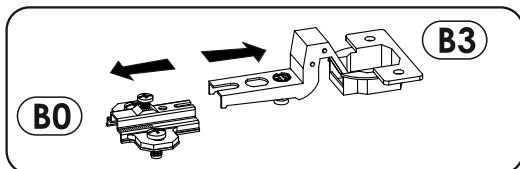
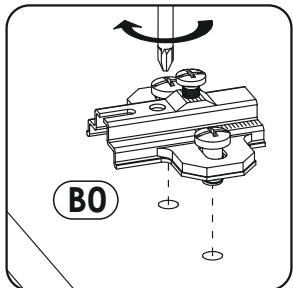
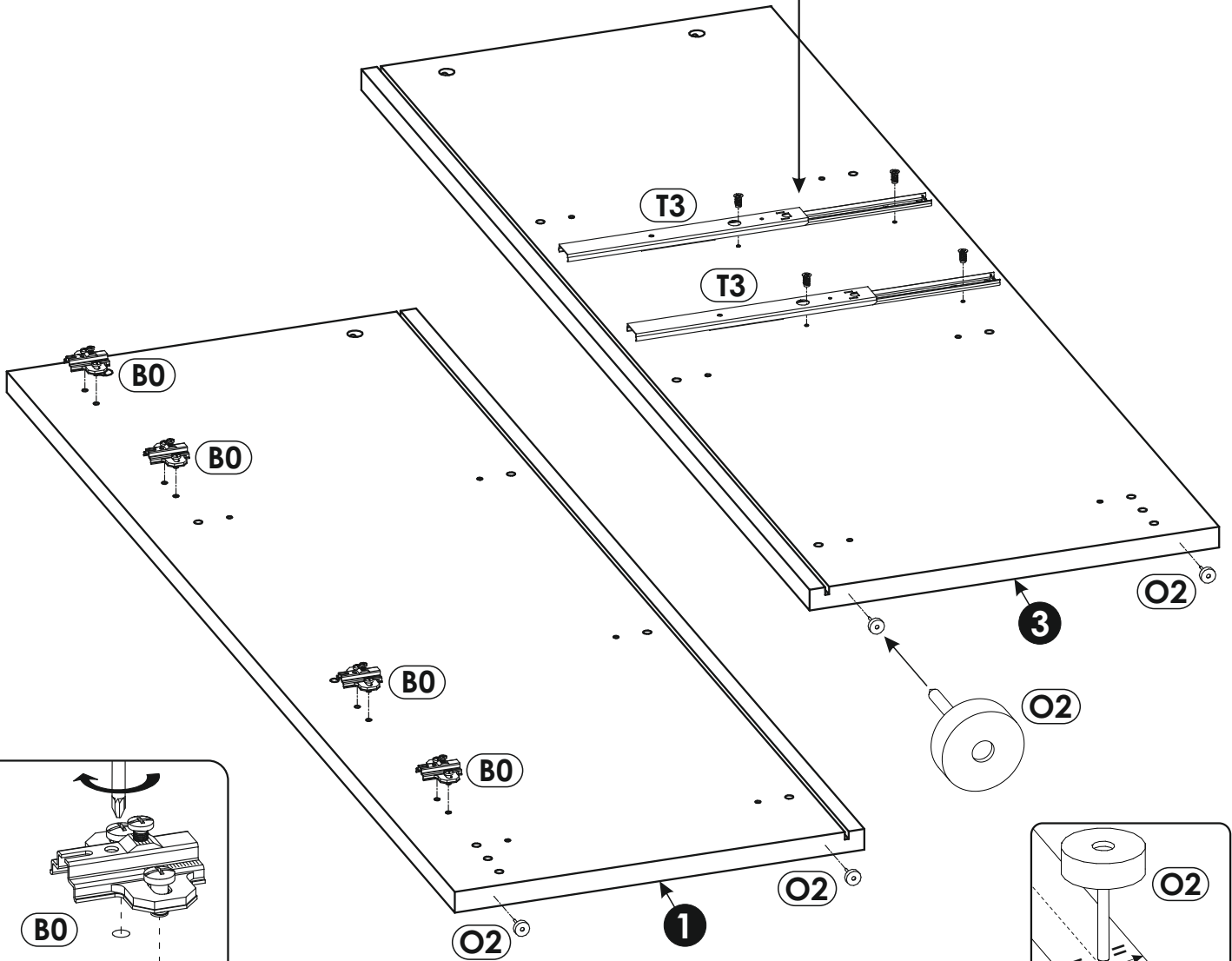
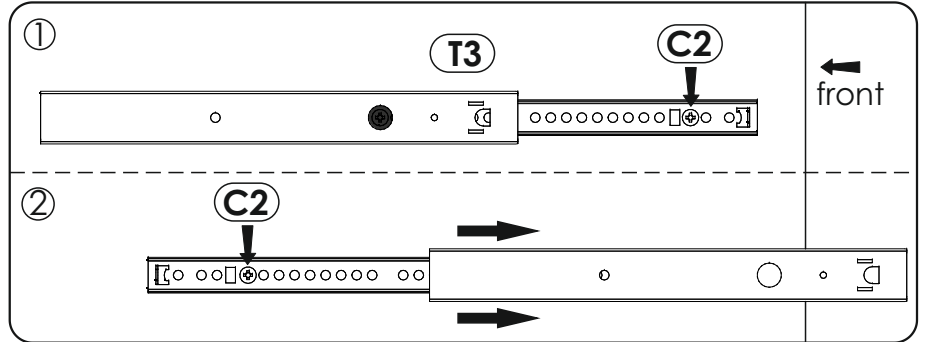
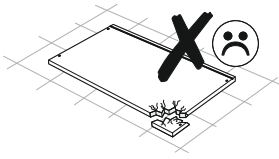
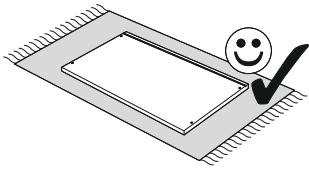




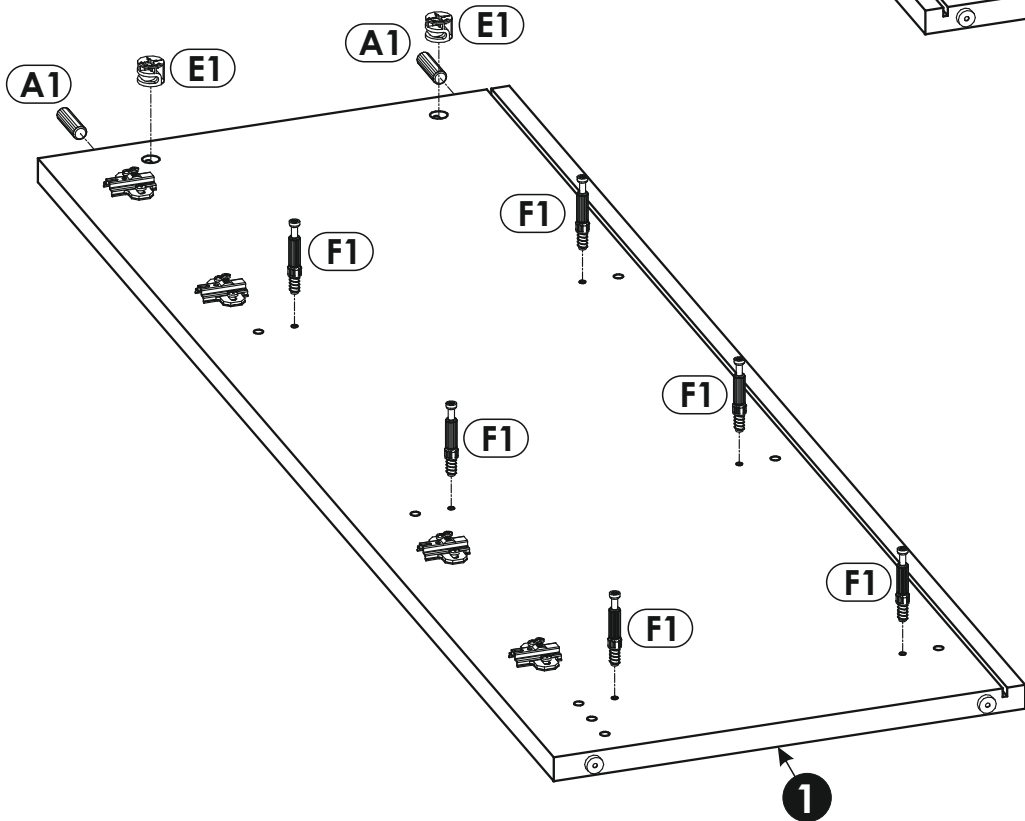
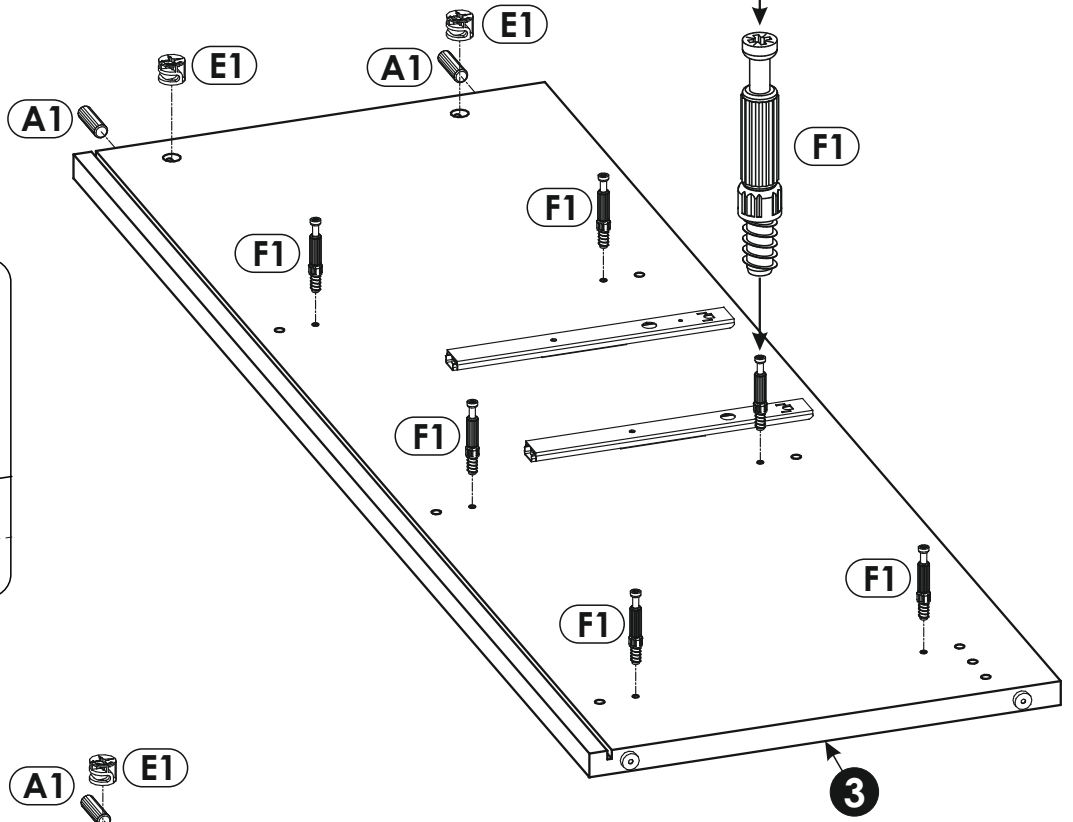
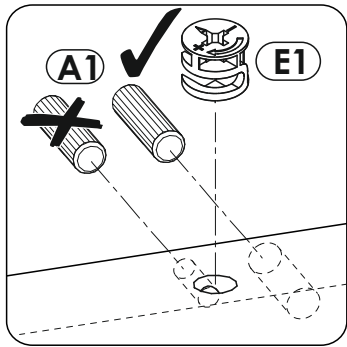
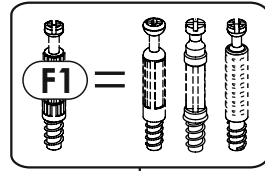
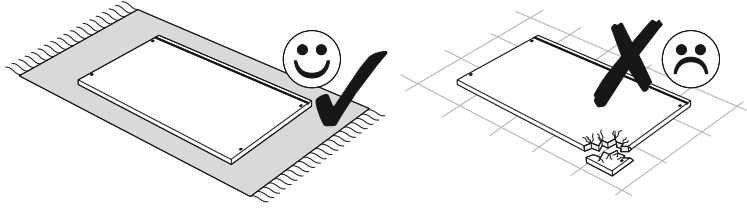
1	1260	419	22	x1	2/2
2	1153	380	16	x1	2/2
3	1260	419	22	x1	2/2
4	870	420	22	x1	1/2
5A	404	380	16	x2	1/2
5B	404	380	16	x2	1/2
6	824	398	22	x1	1/2
7	824	85	16	x1	1/2
8	350	100	12	x2	1/2
9	350	100	12	x2	1/2
10	372	84	12	x2	1/2
11	381	408	16	x2	1/2
12	408	189	16	x2	1/2
13	382	355	3	x2	1/2
14	1180	418	3	x2	2/2



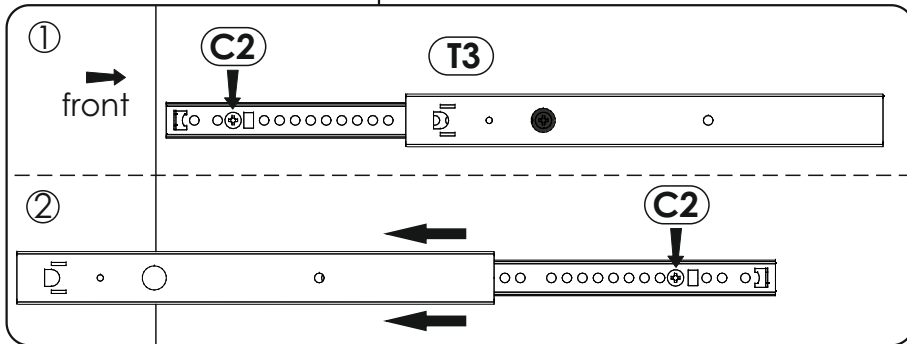
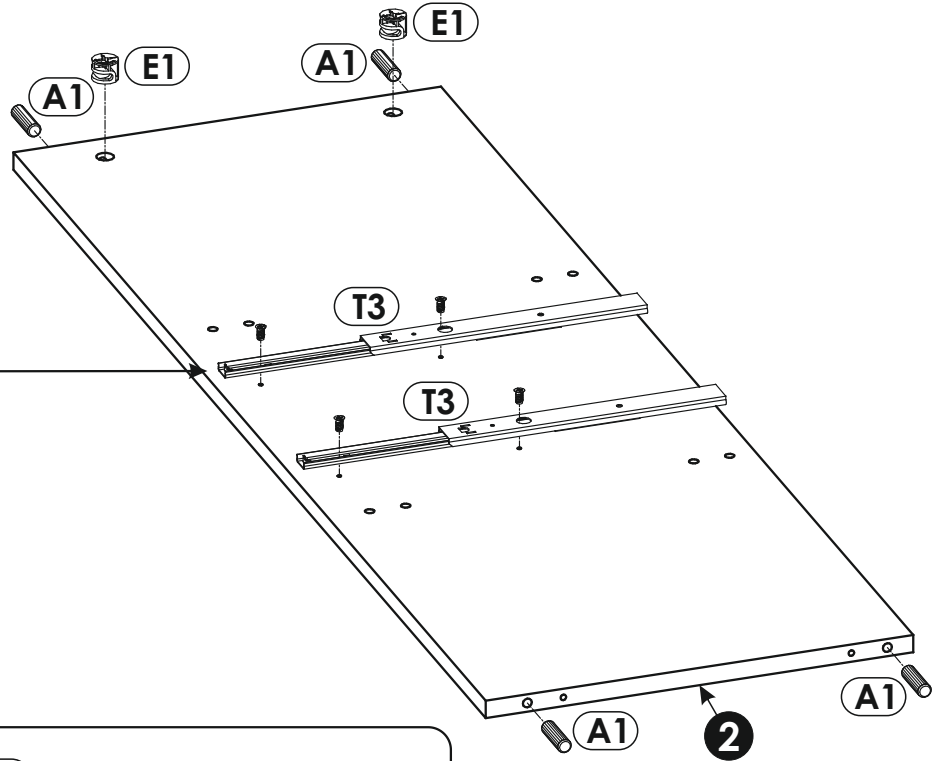
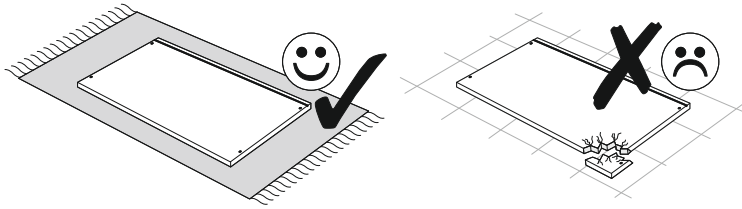
1 ▶



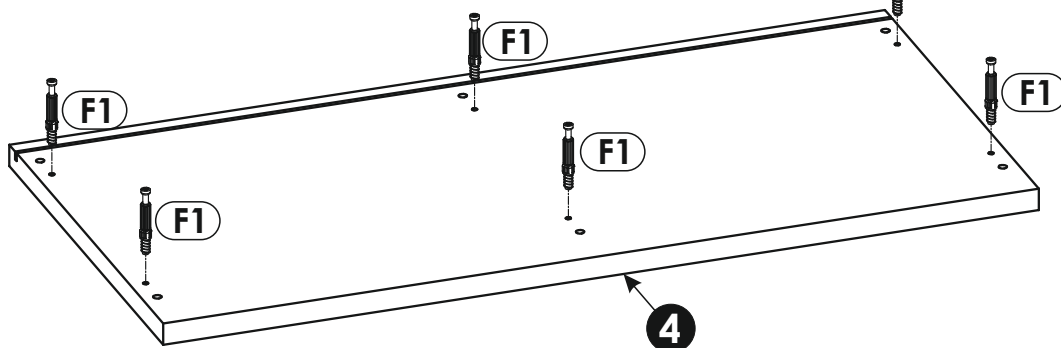
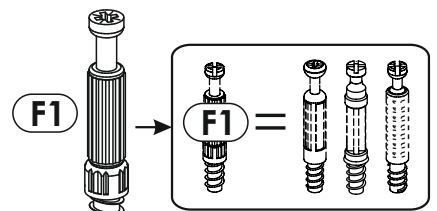
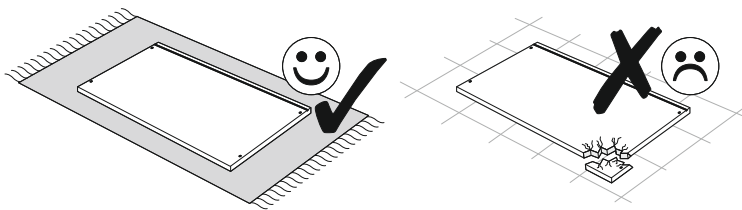
2 ▶



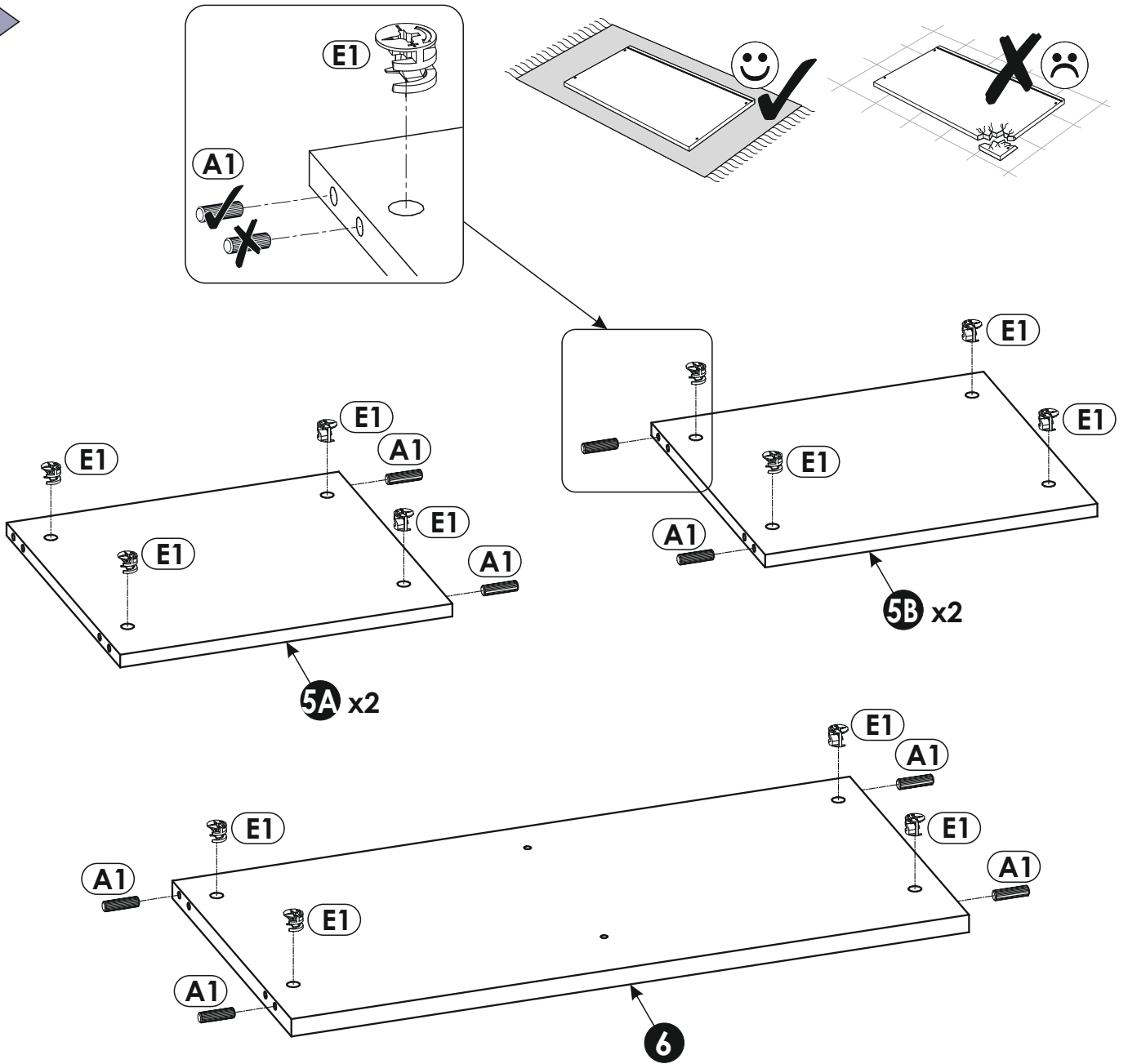
3 ▶



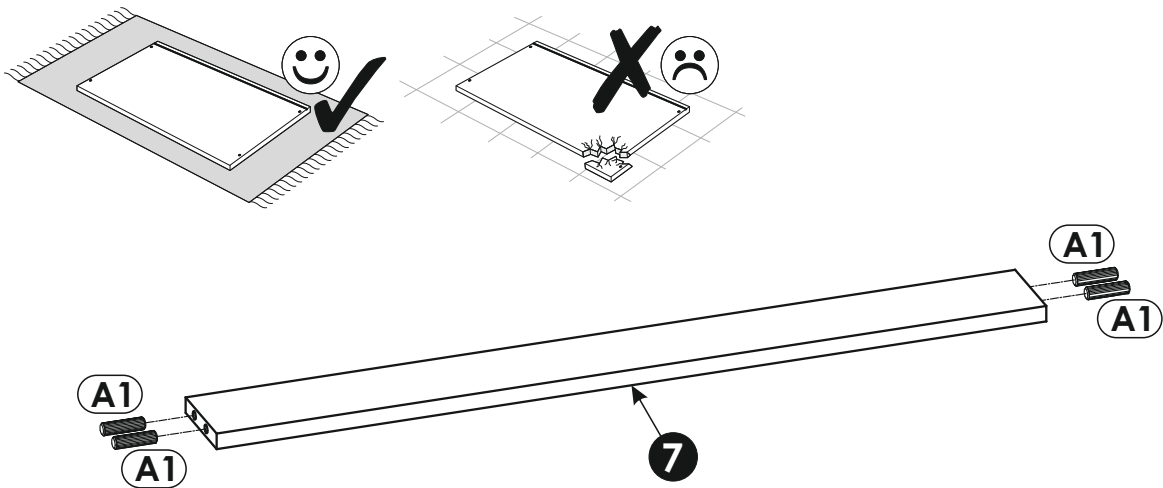
4 ▶

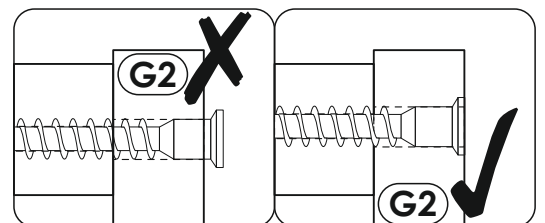
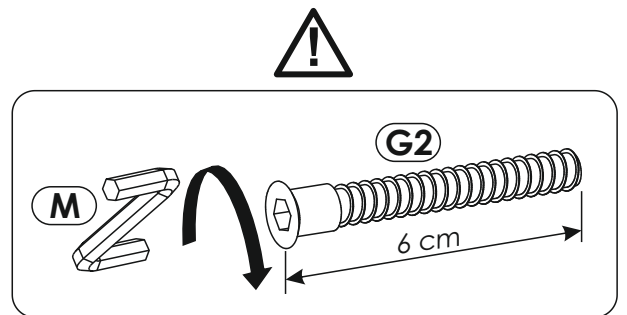
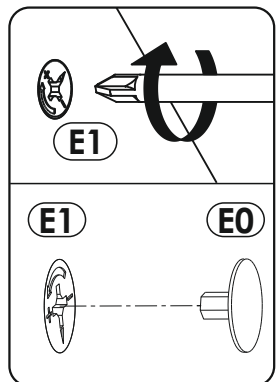
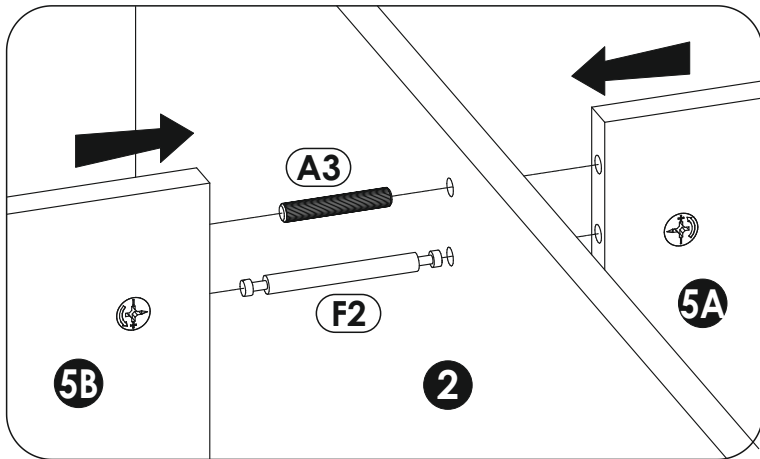
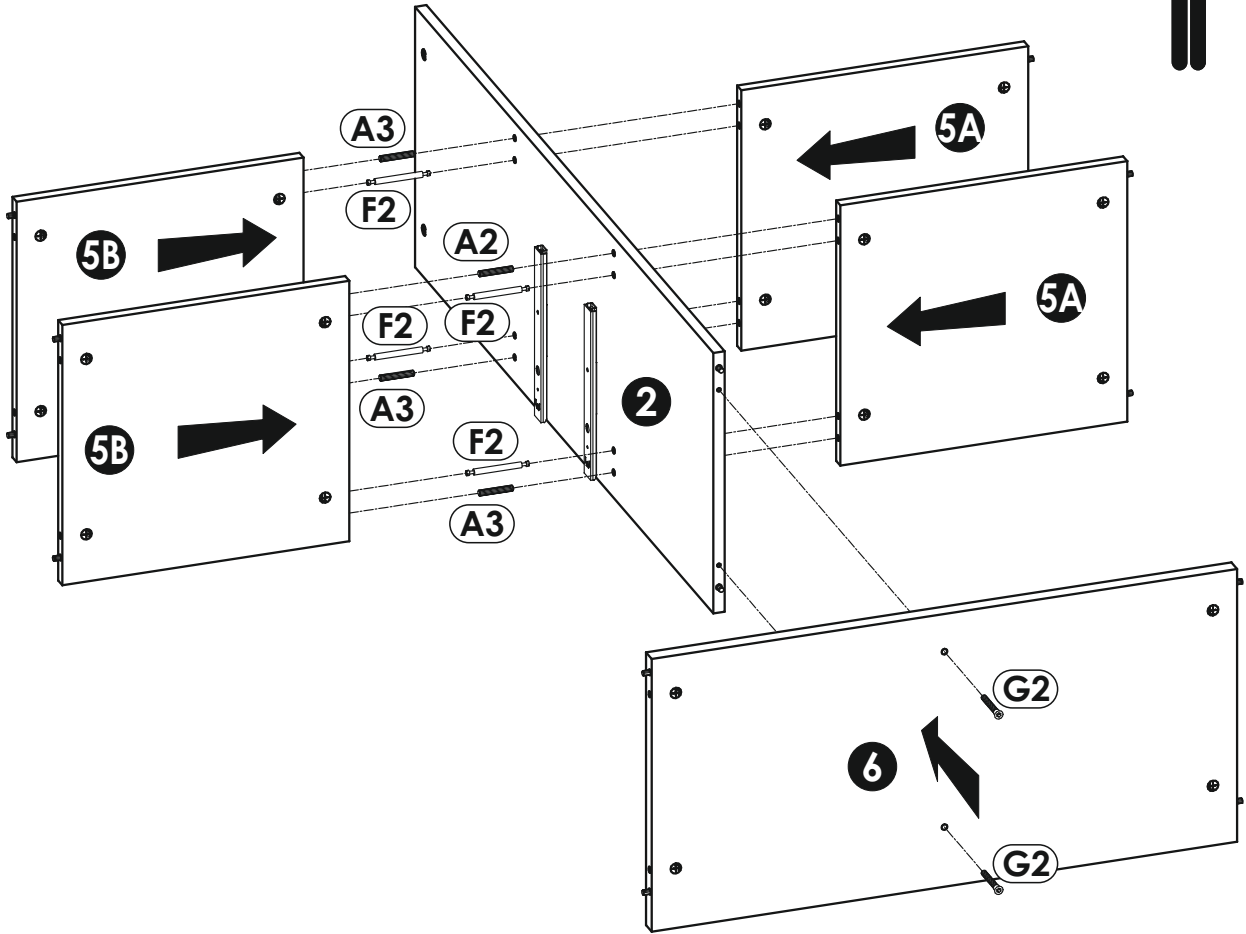
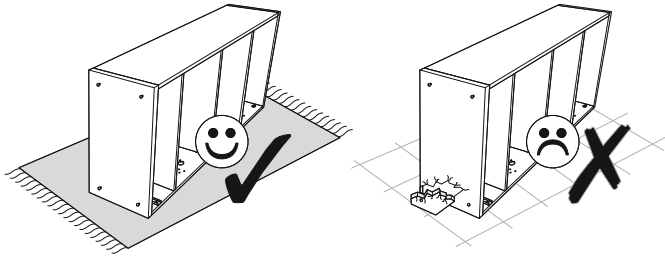


5 ▶

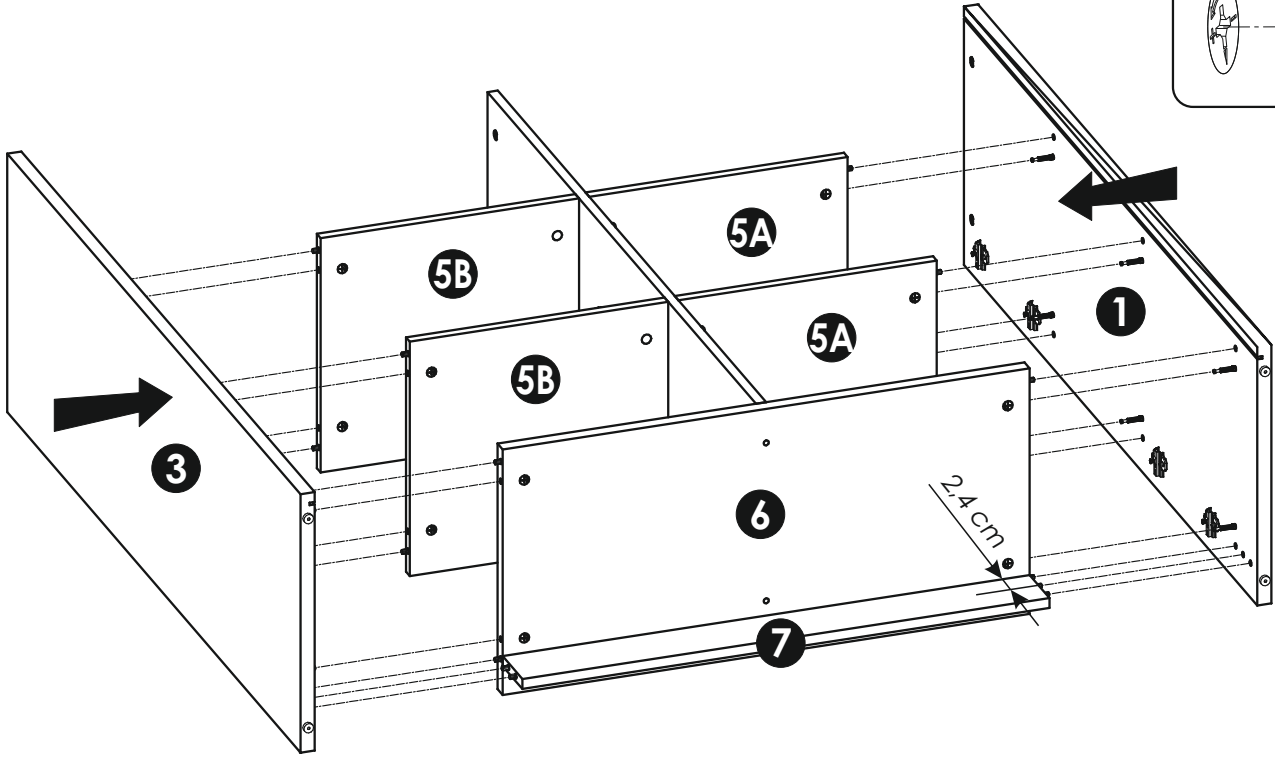
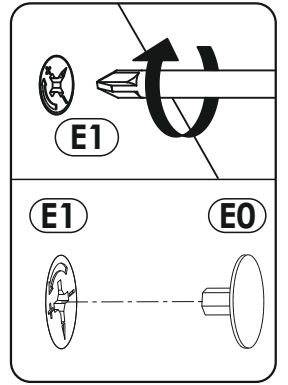
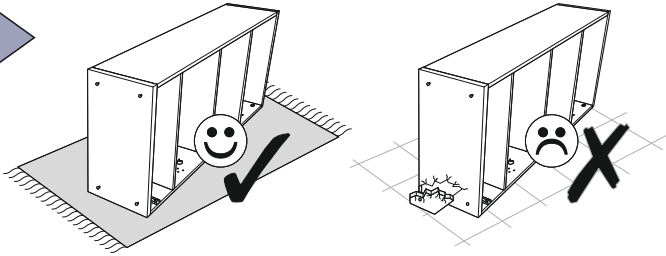


6 ▶

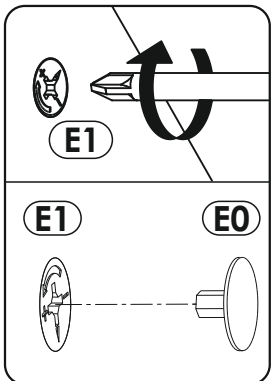
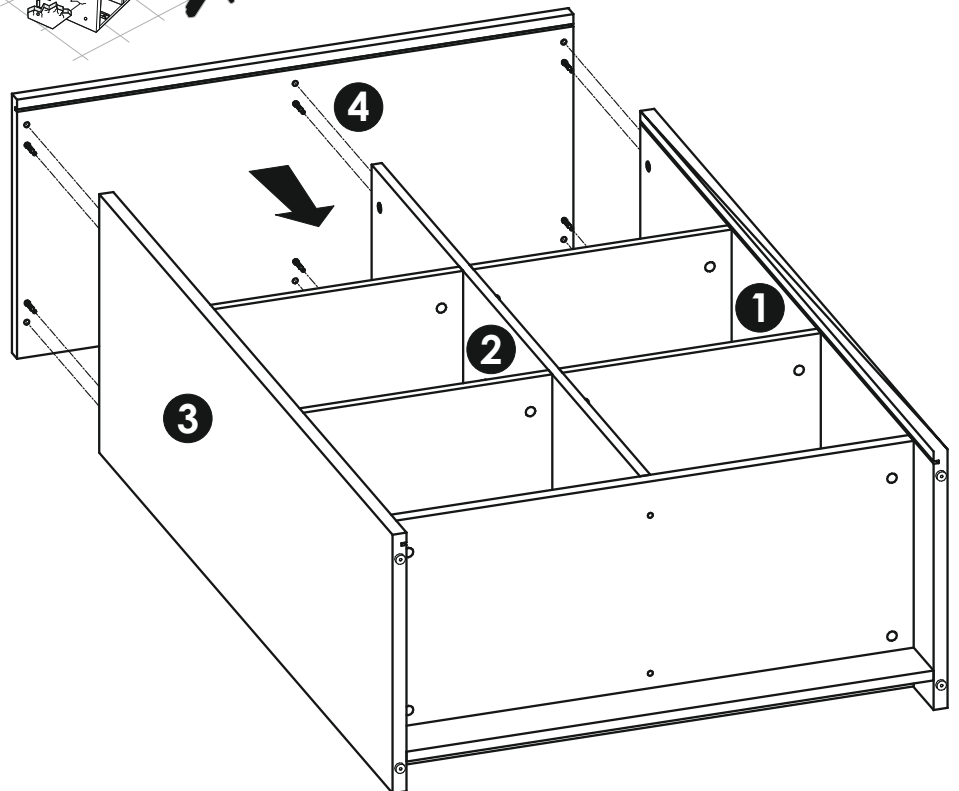
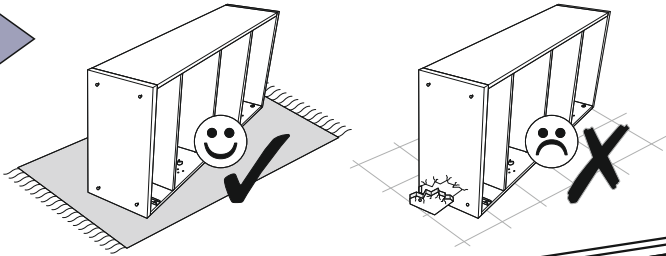




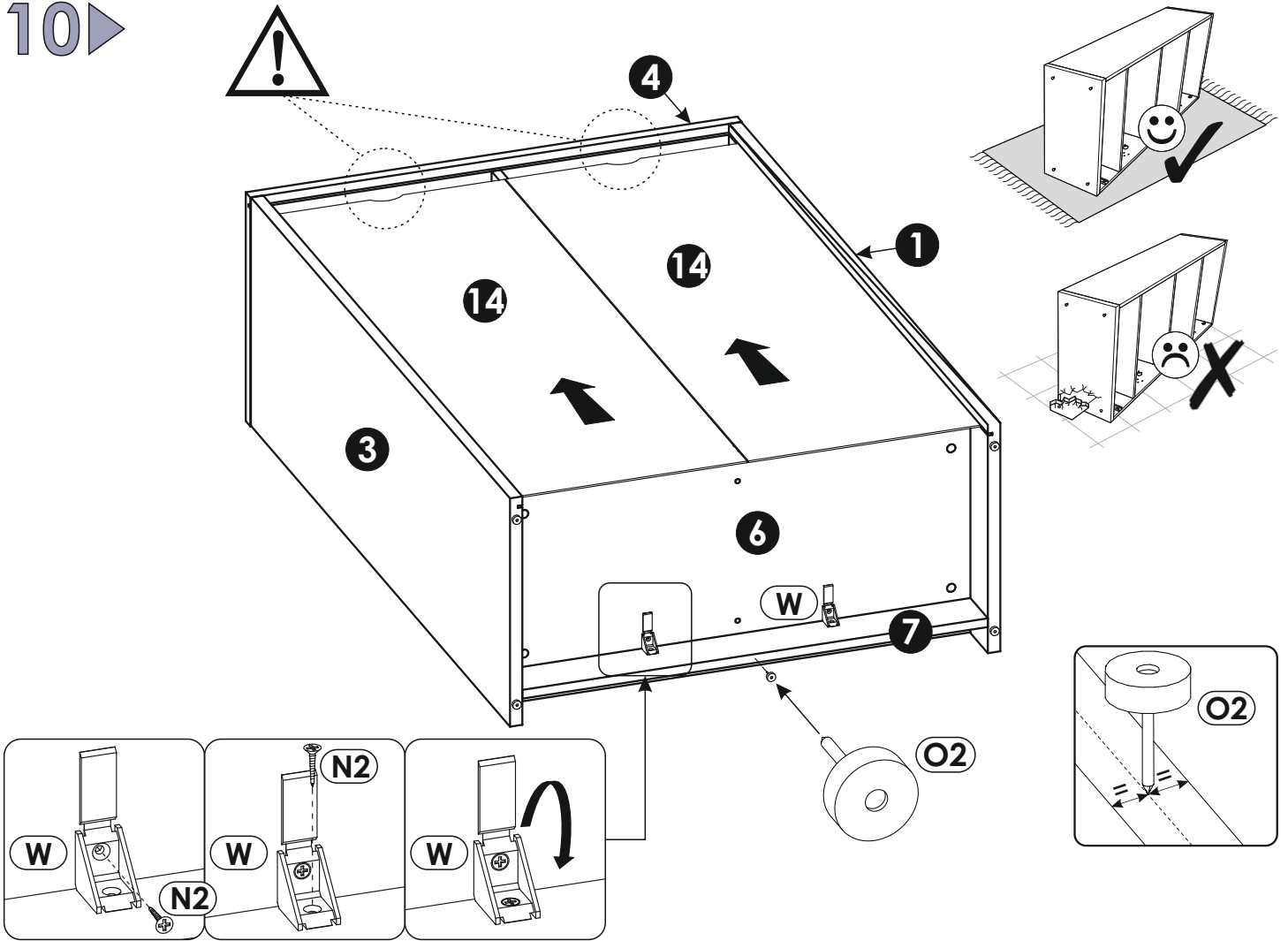
8 ▶



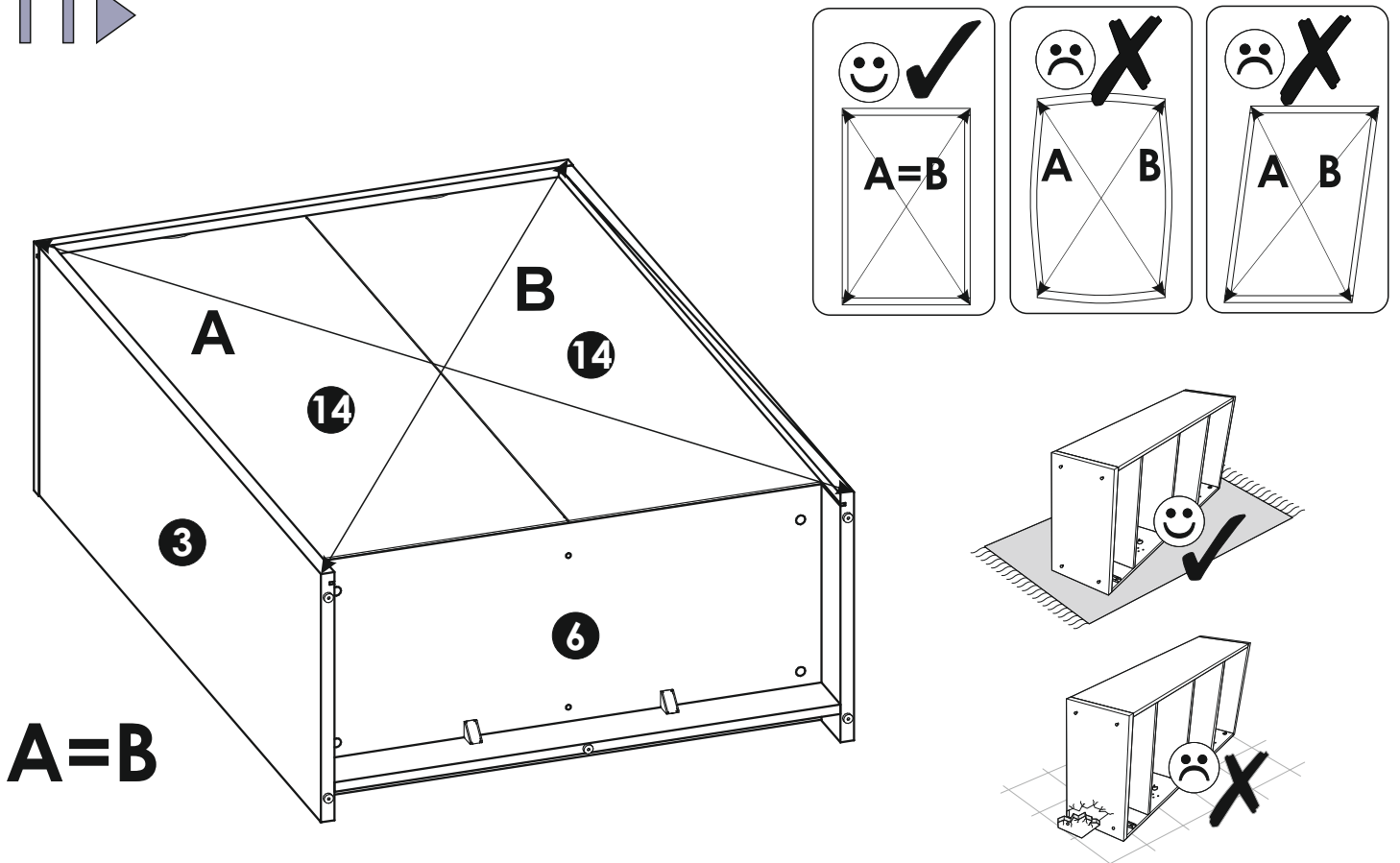
9 ▶



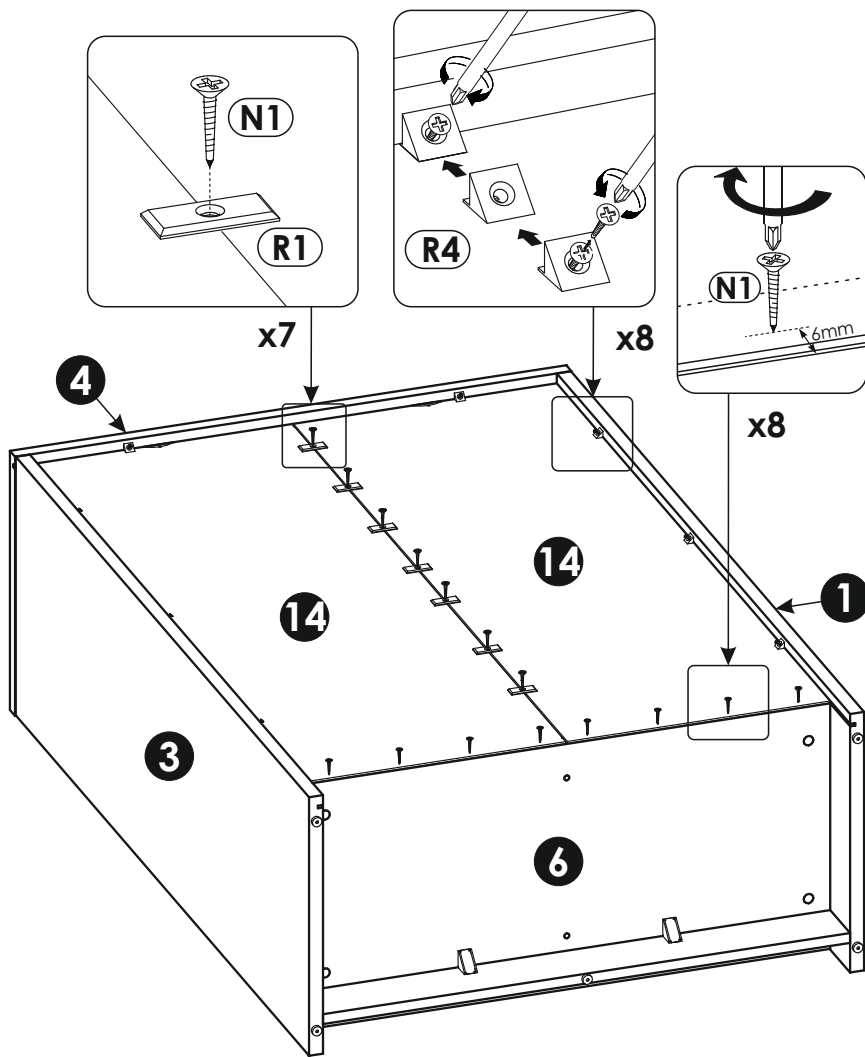
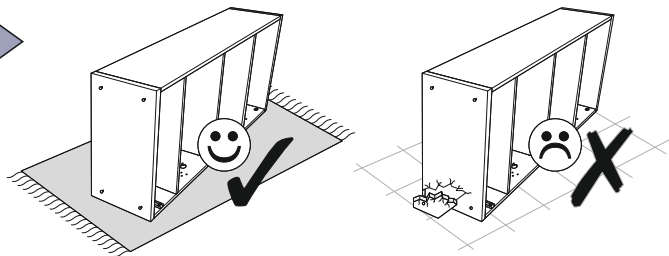
10 ▶



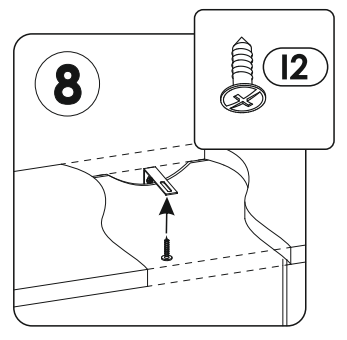
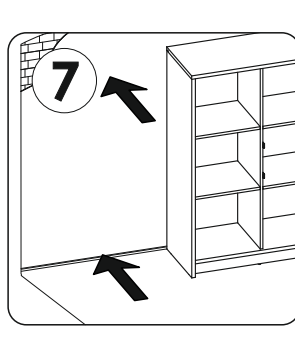
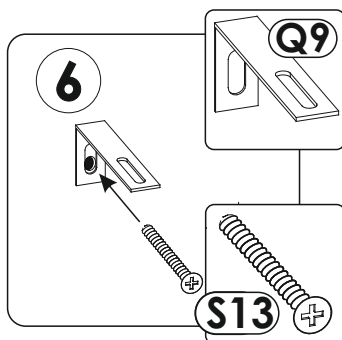
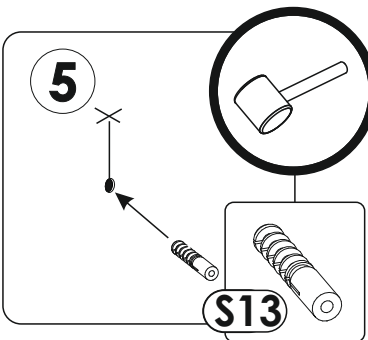
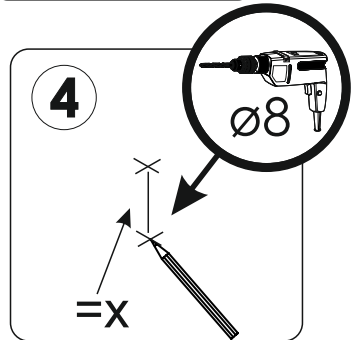
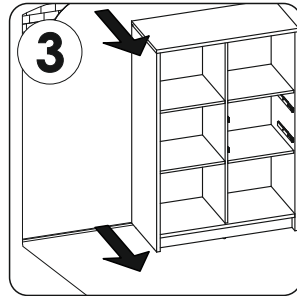
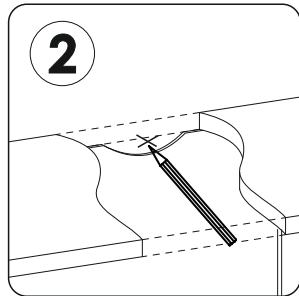
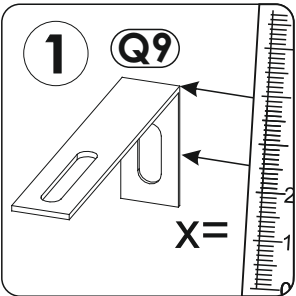
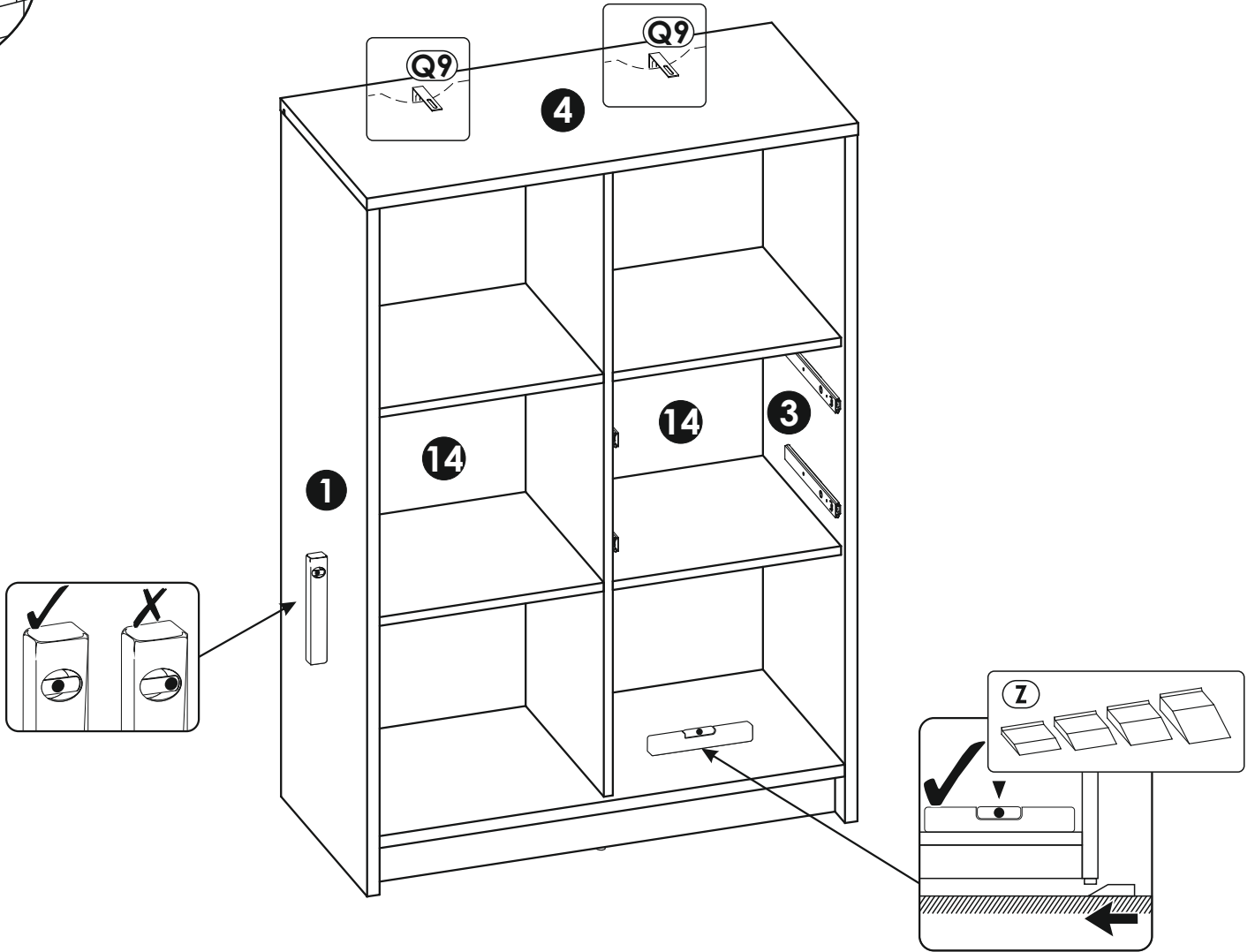
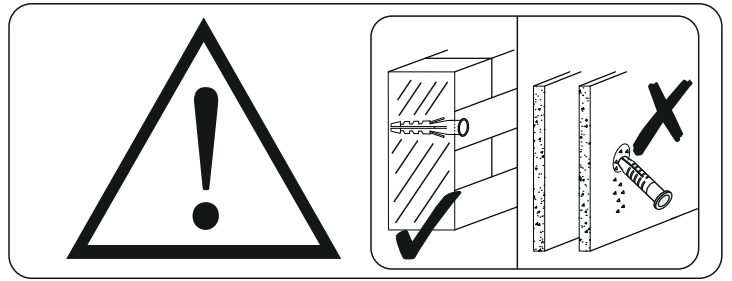
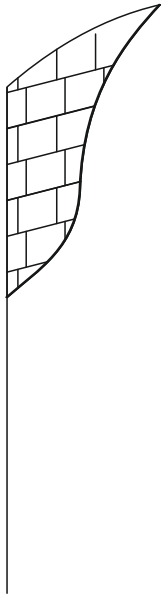
11 ▶



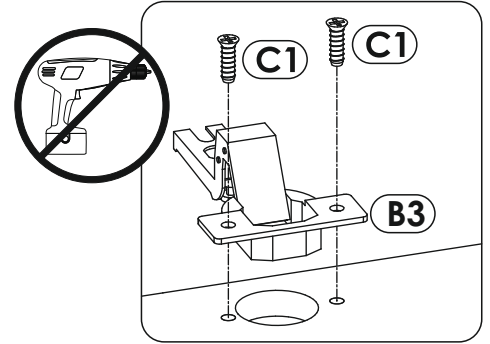
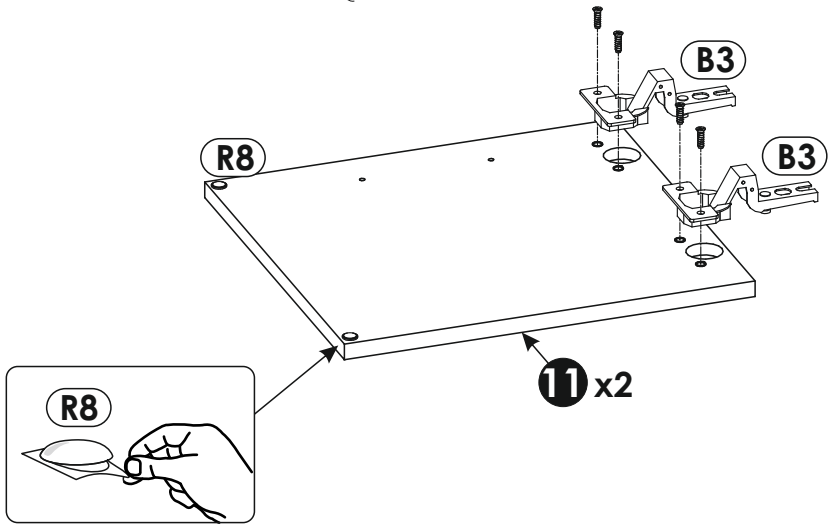
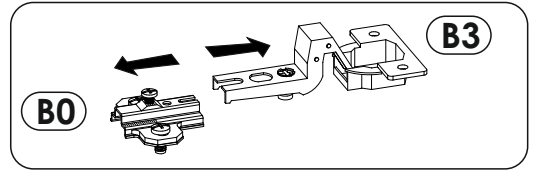
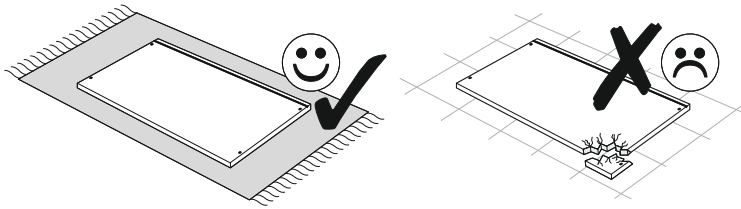
12▶



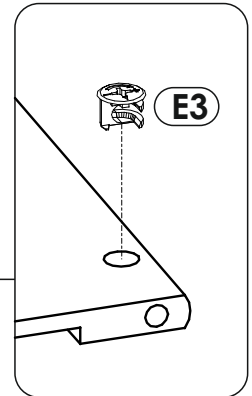
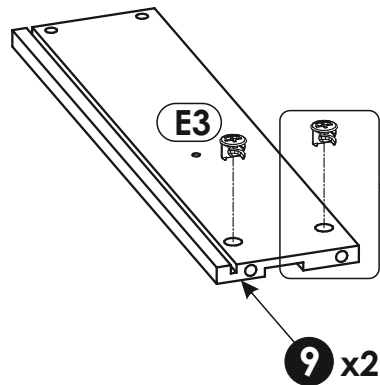
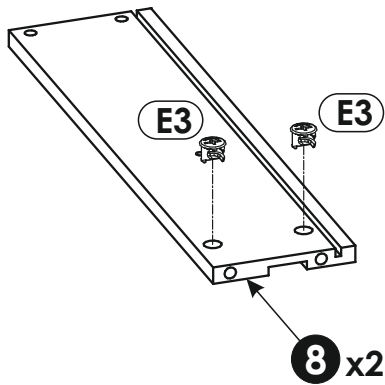
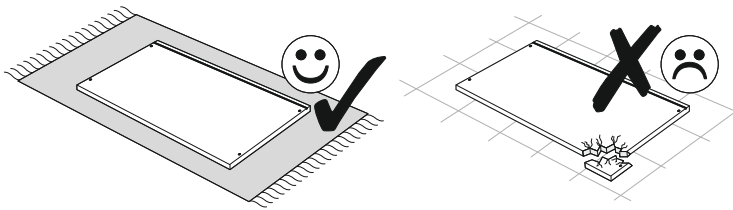
13 ▶



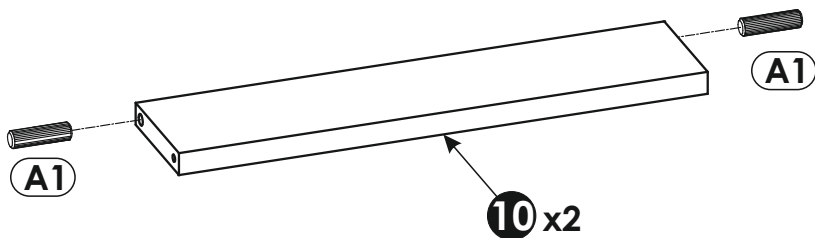
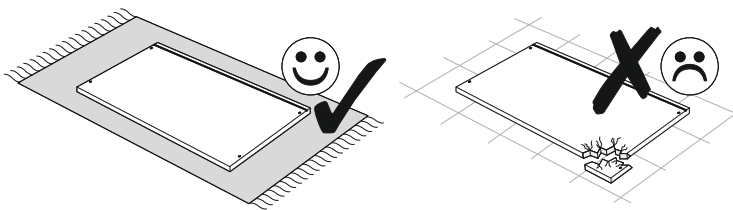
14▶



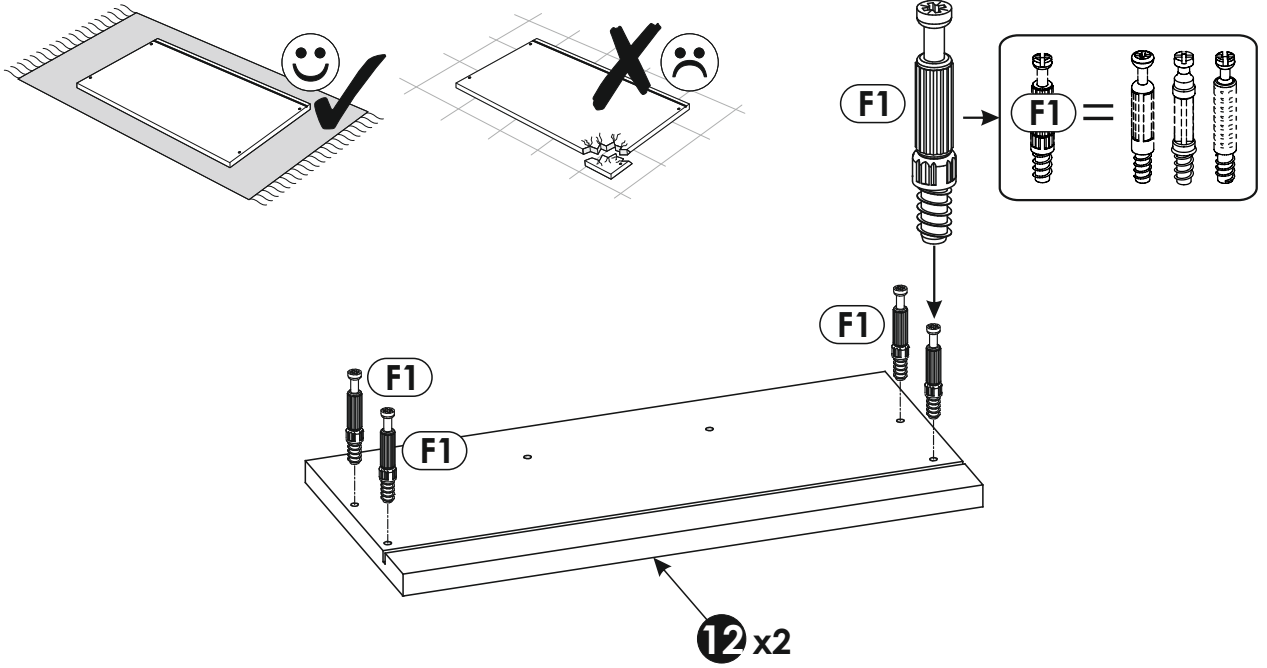
15▶



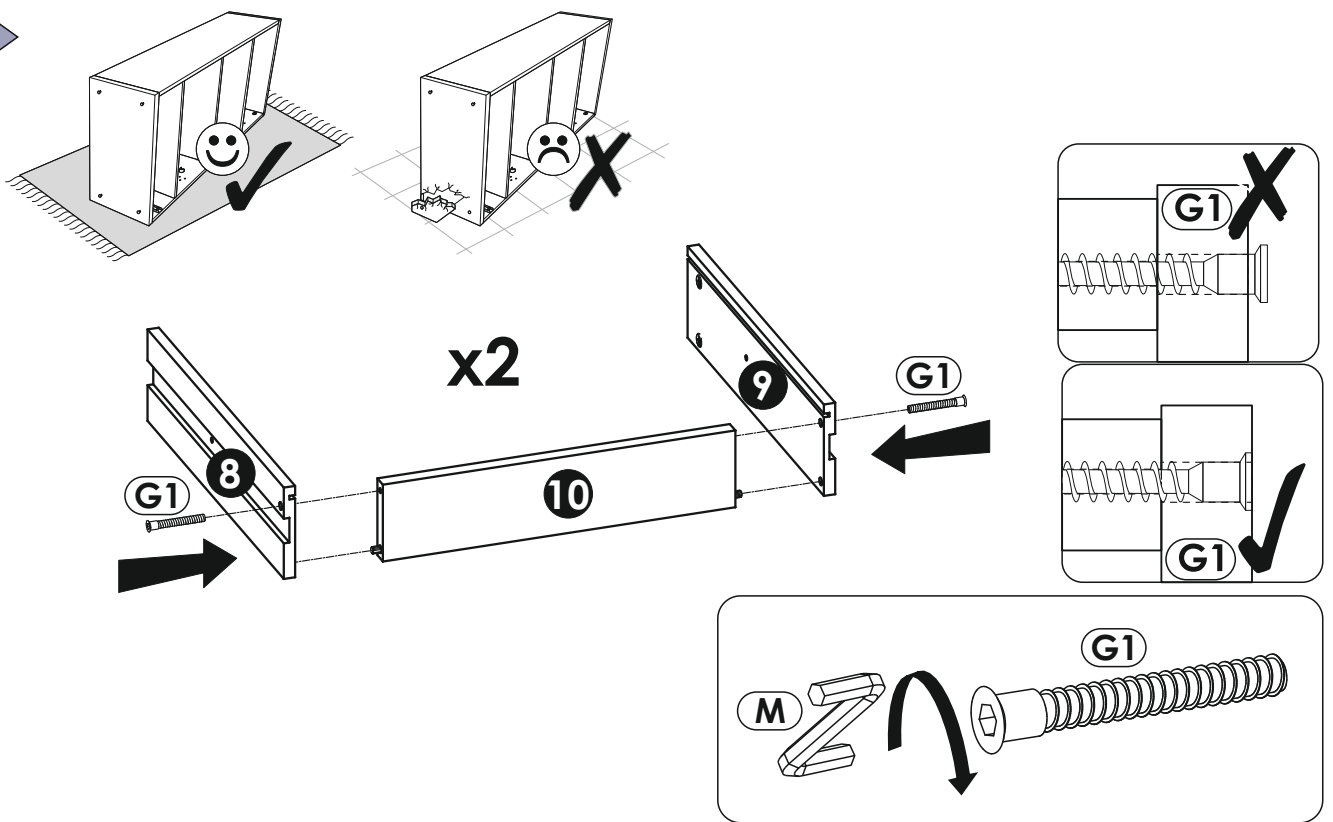
16▶



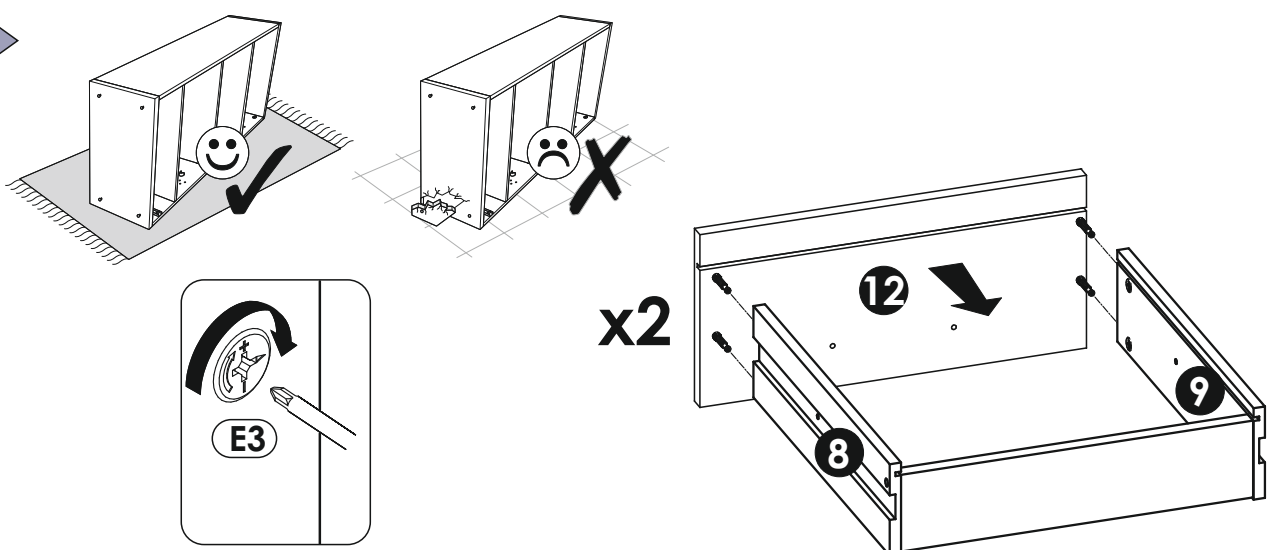
17▶



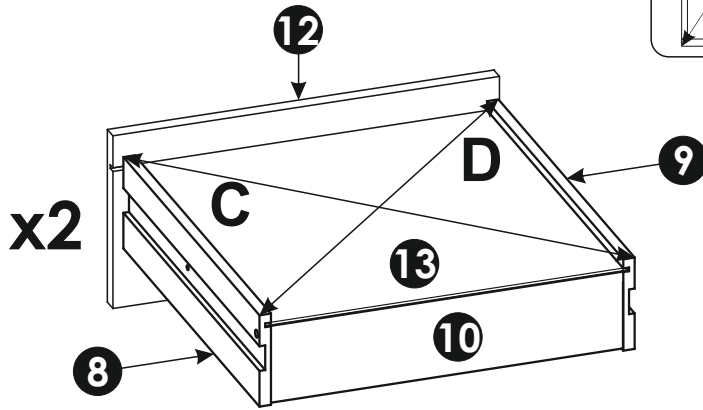
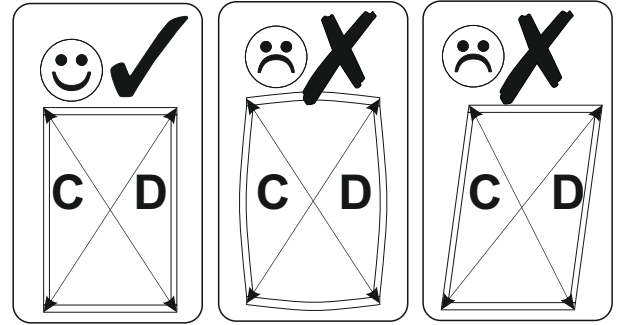
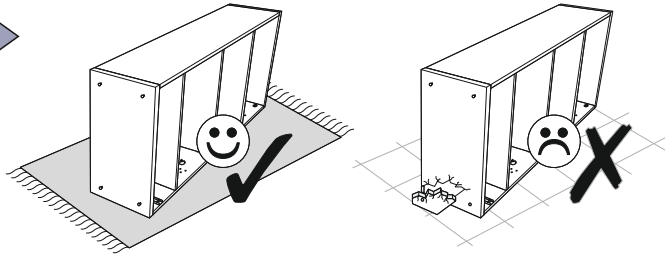
18▶



19▶

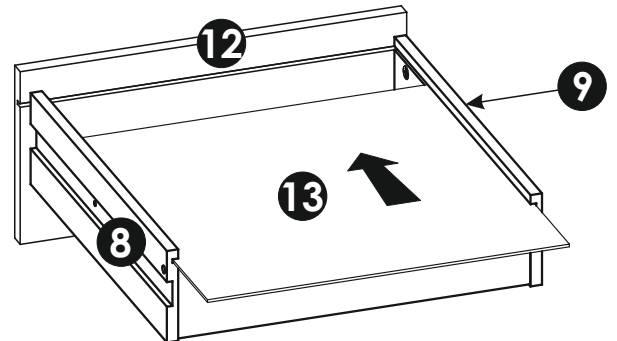
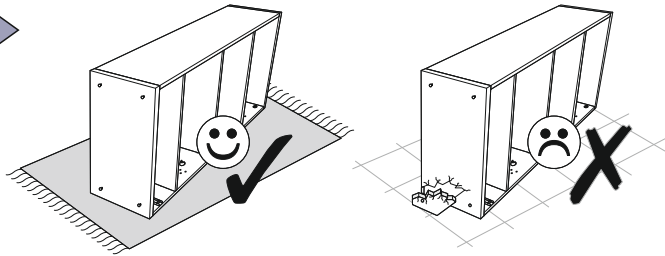


20 ▶

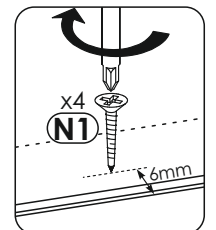
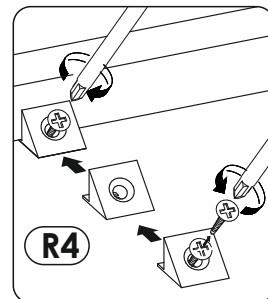
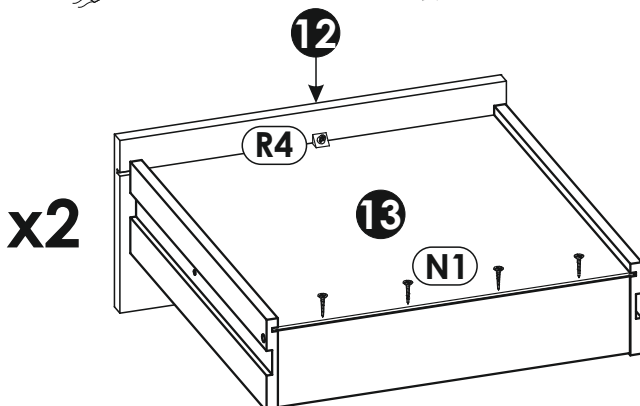
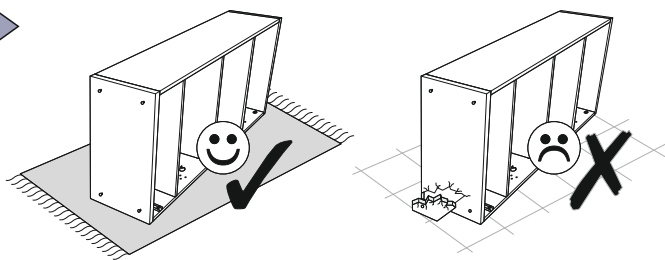


C=D

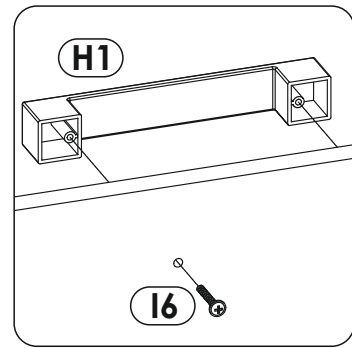
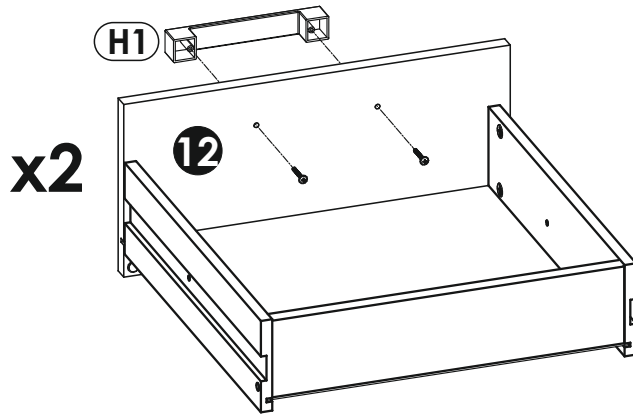
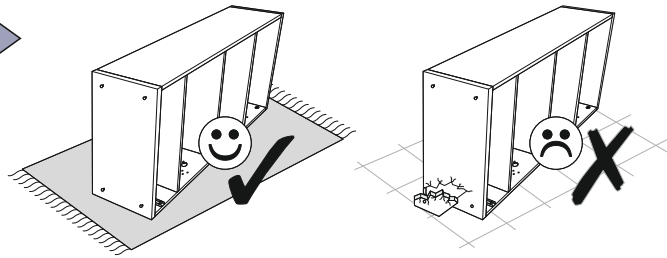
21 ▶



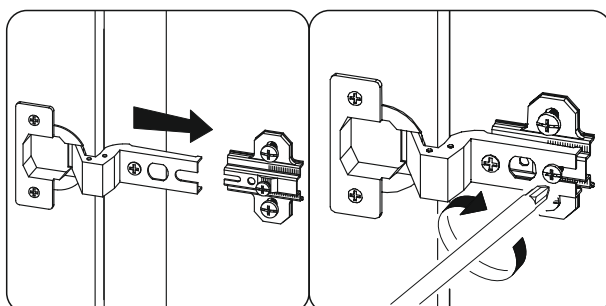
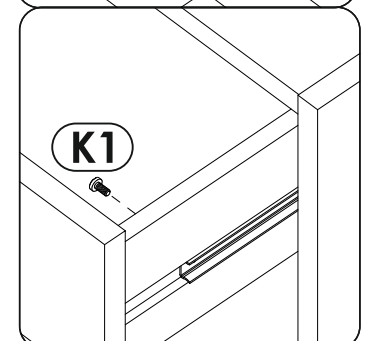
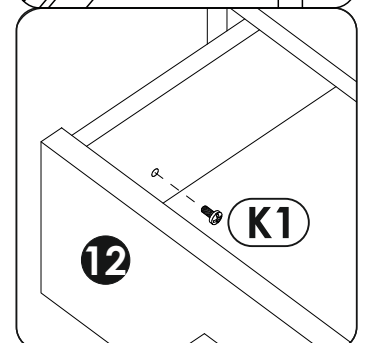
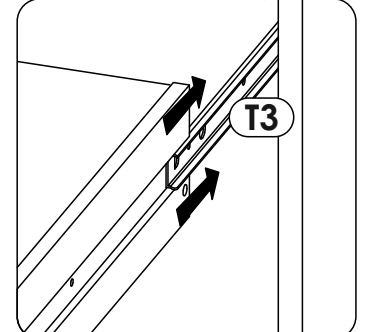
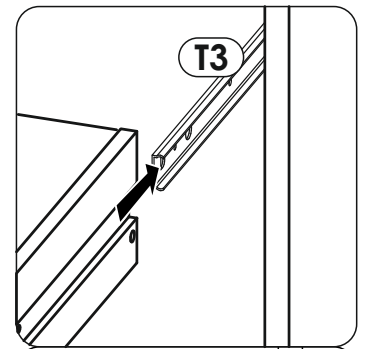
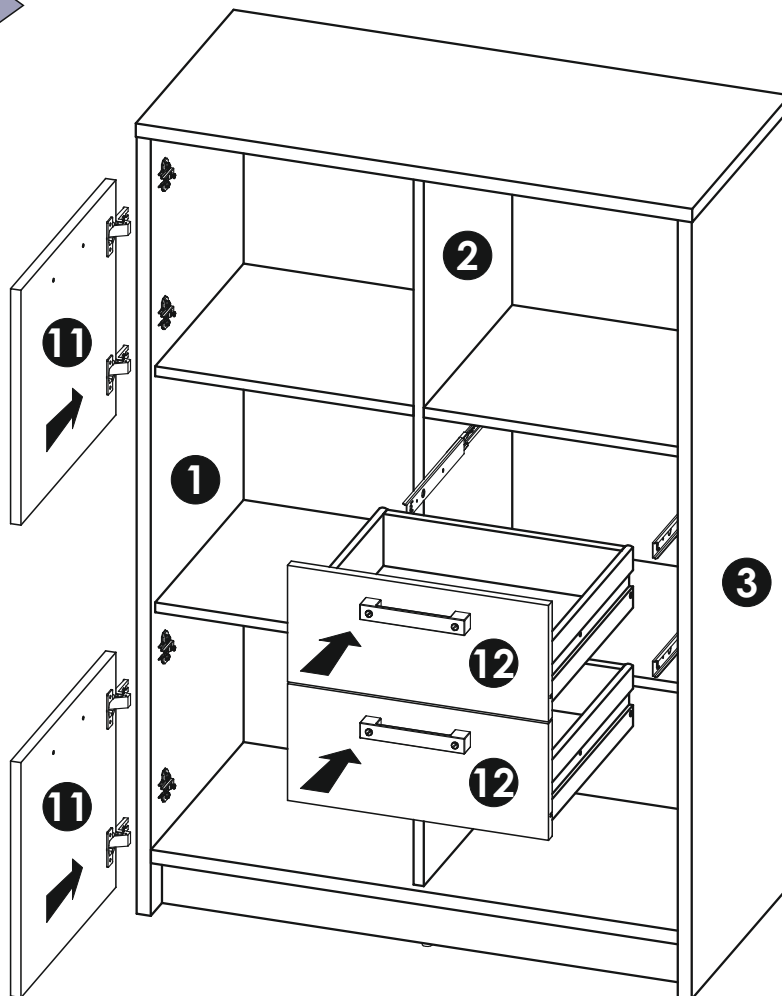
22 ▶



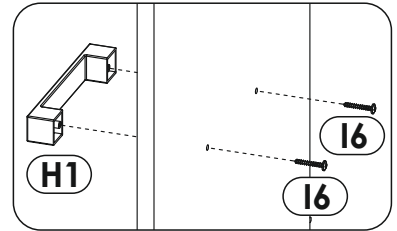
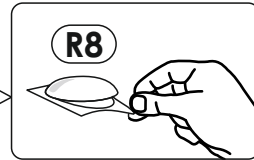
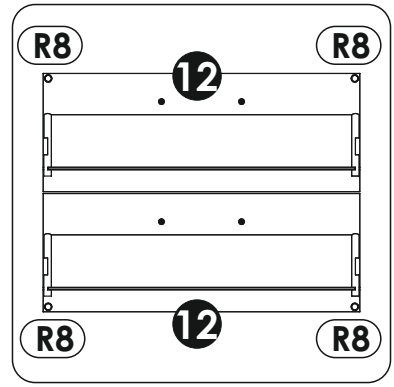
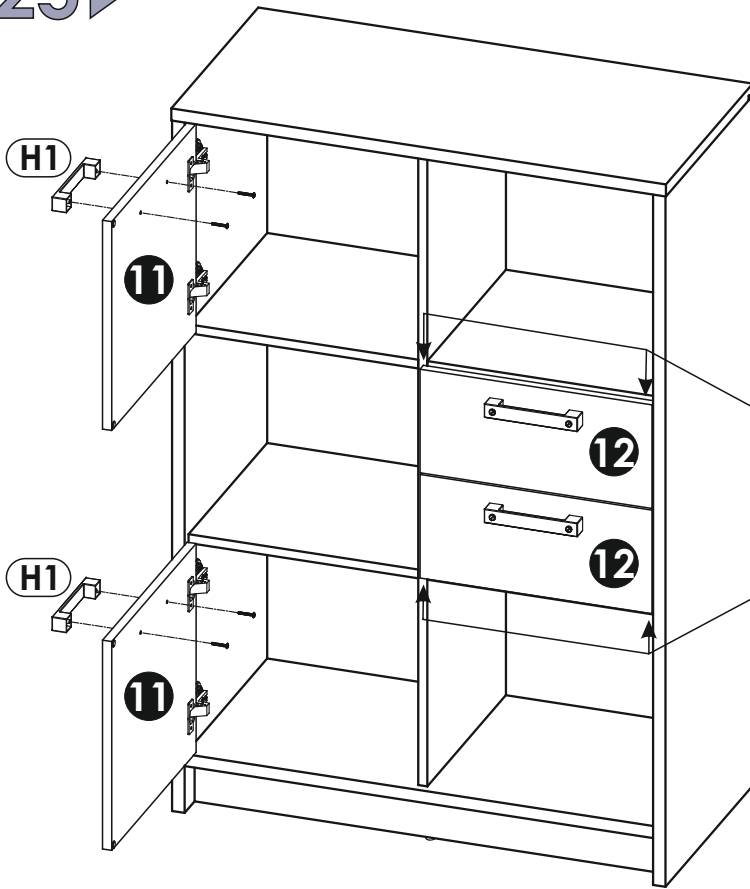
23 ▶



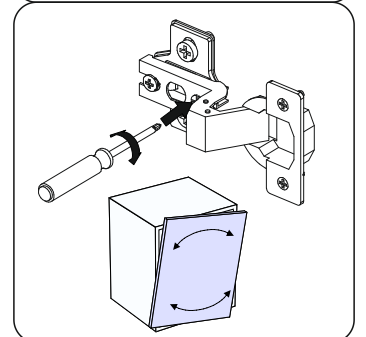
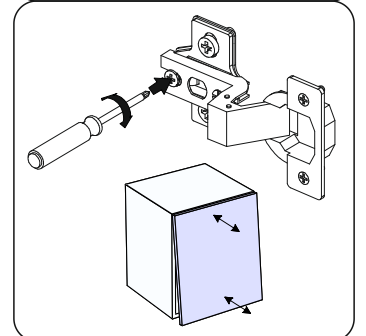
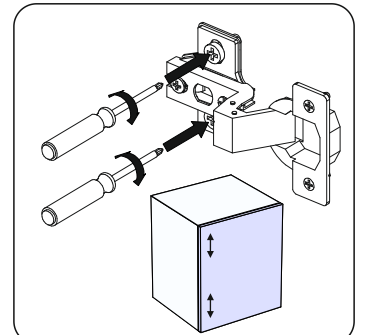
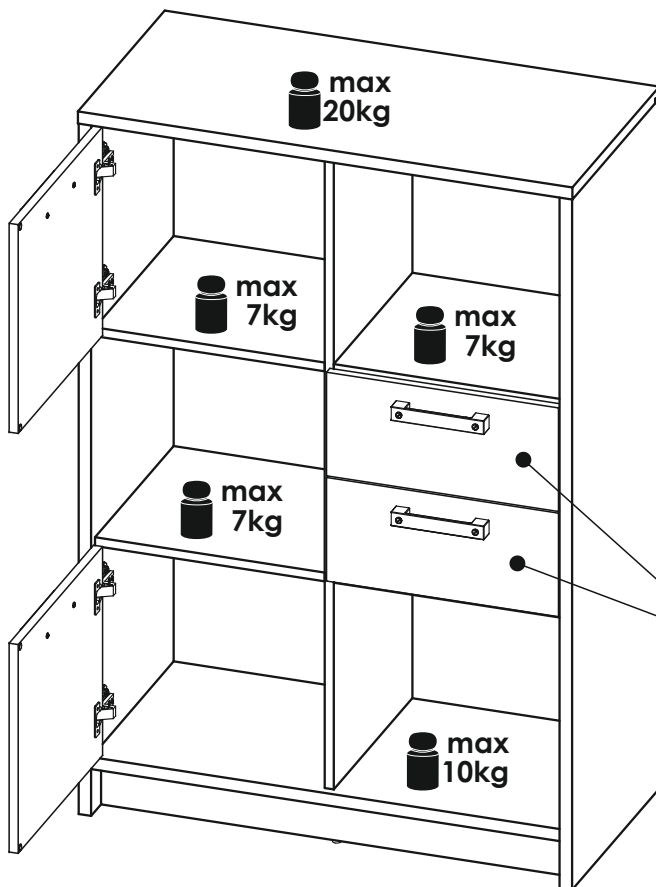
24 ▶

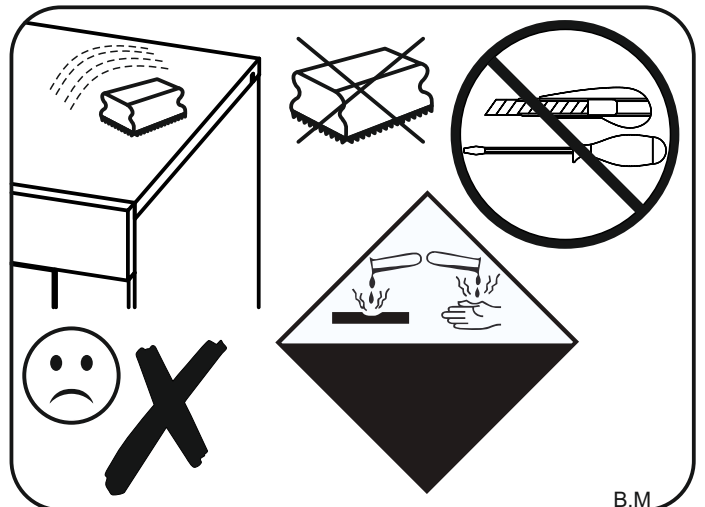
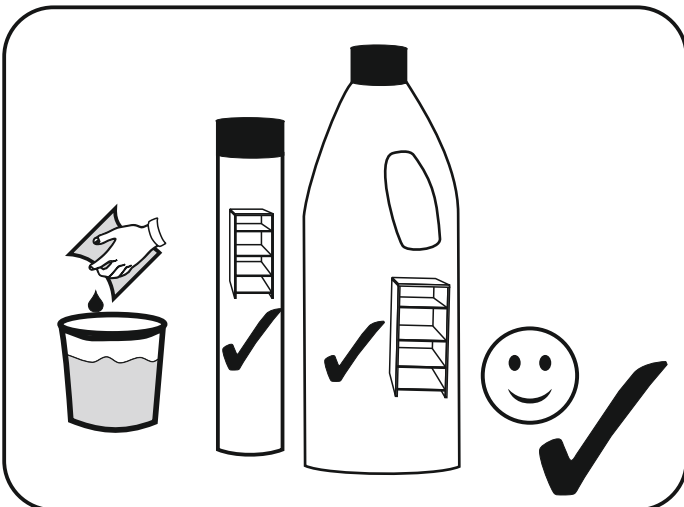
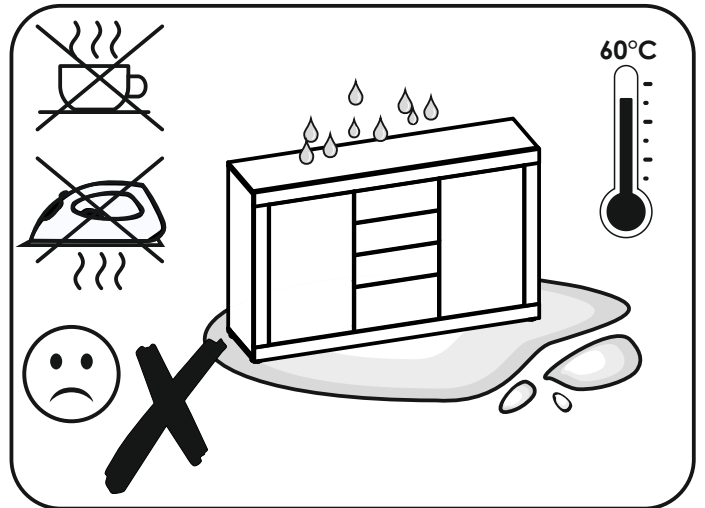
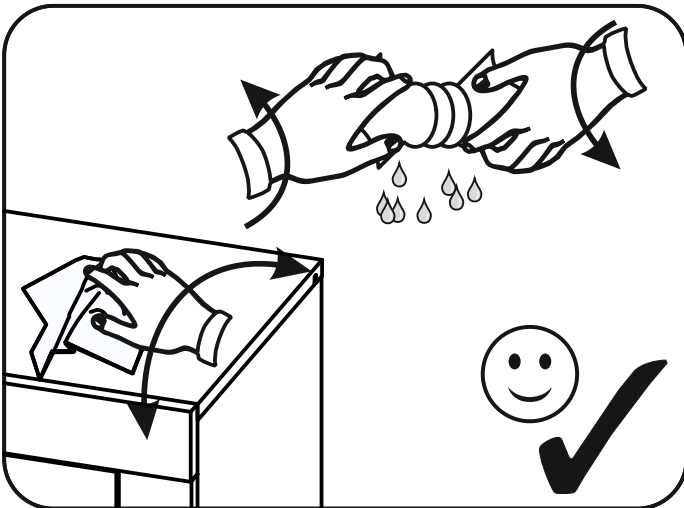
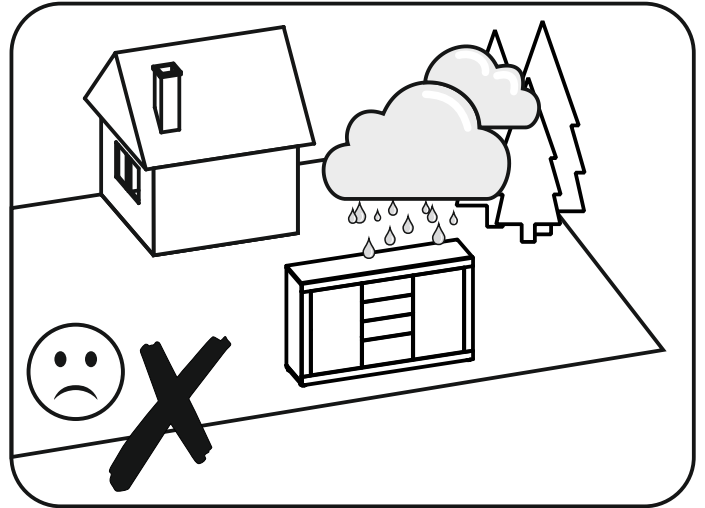
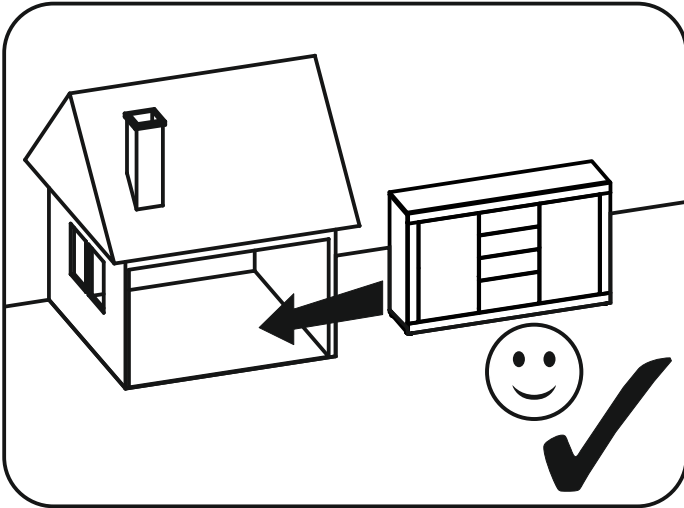
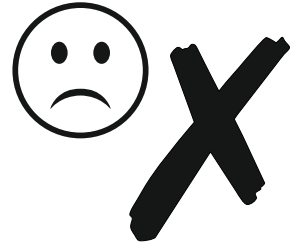


25 ▶

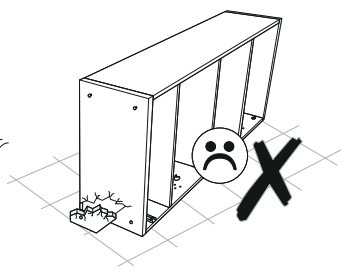
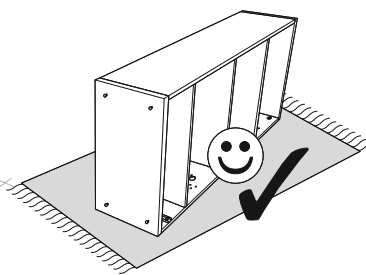
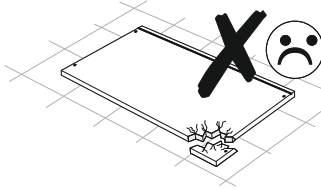
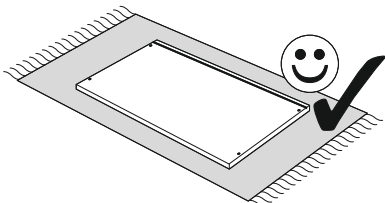
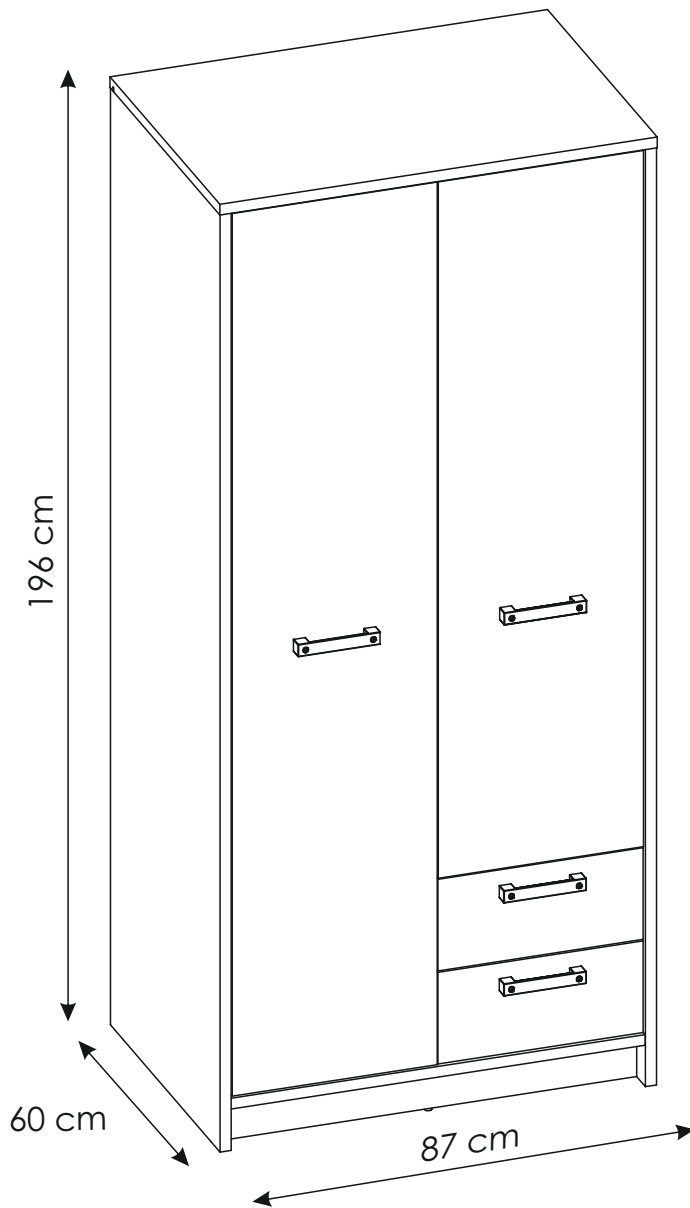
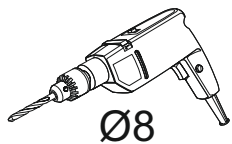
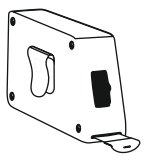
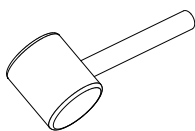
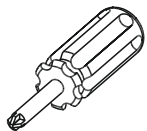
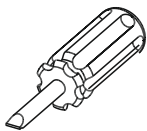
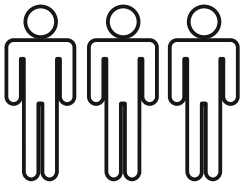


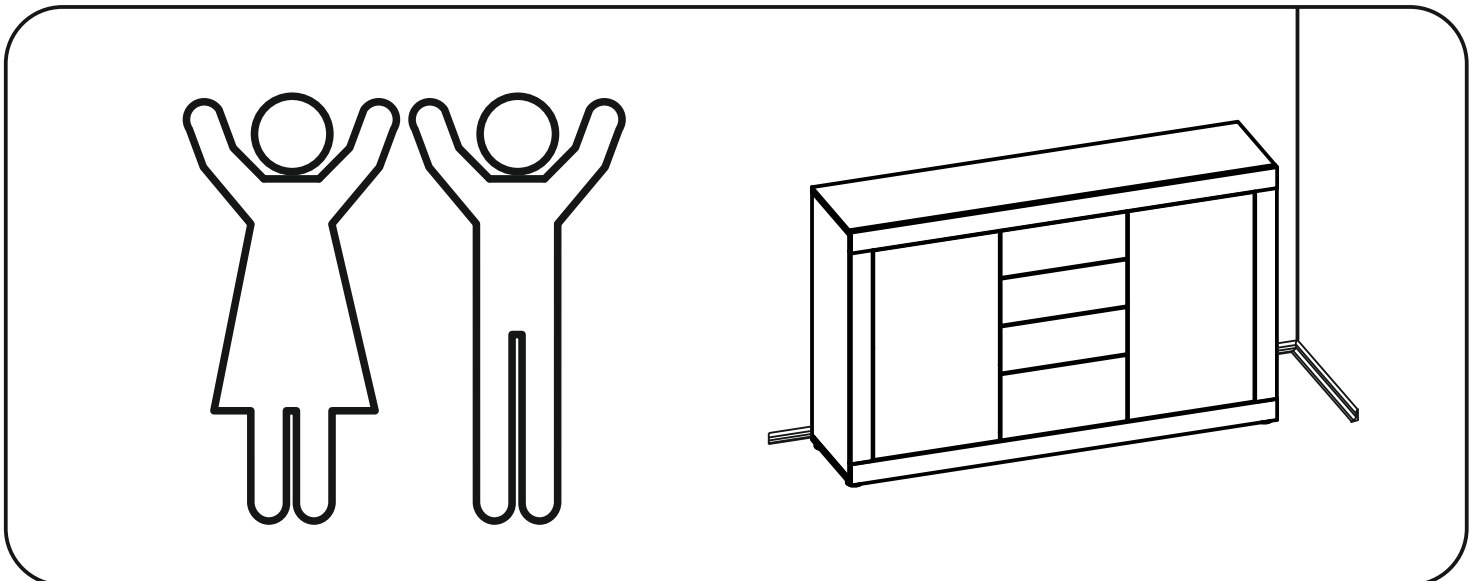
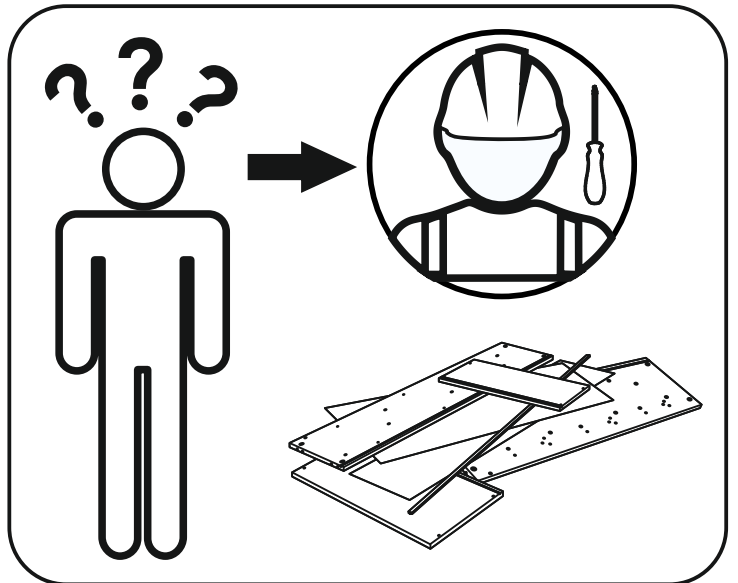
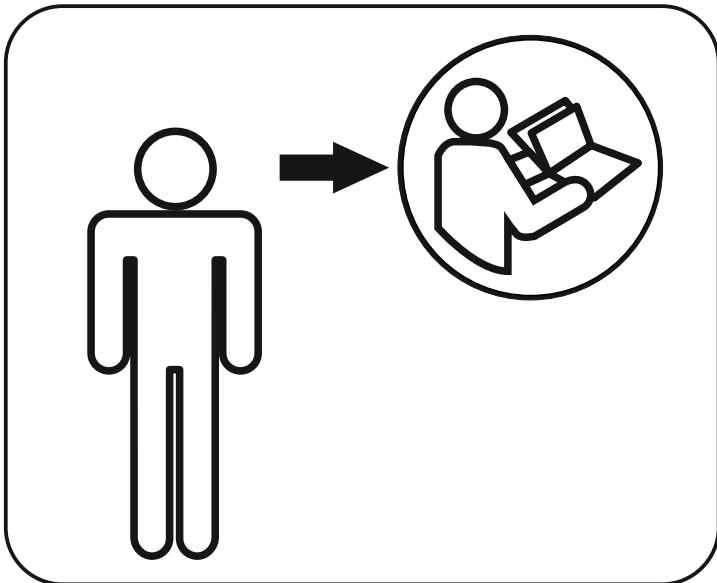
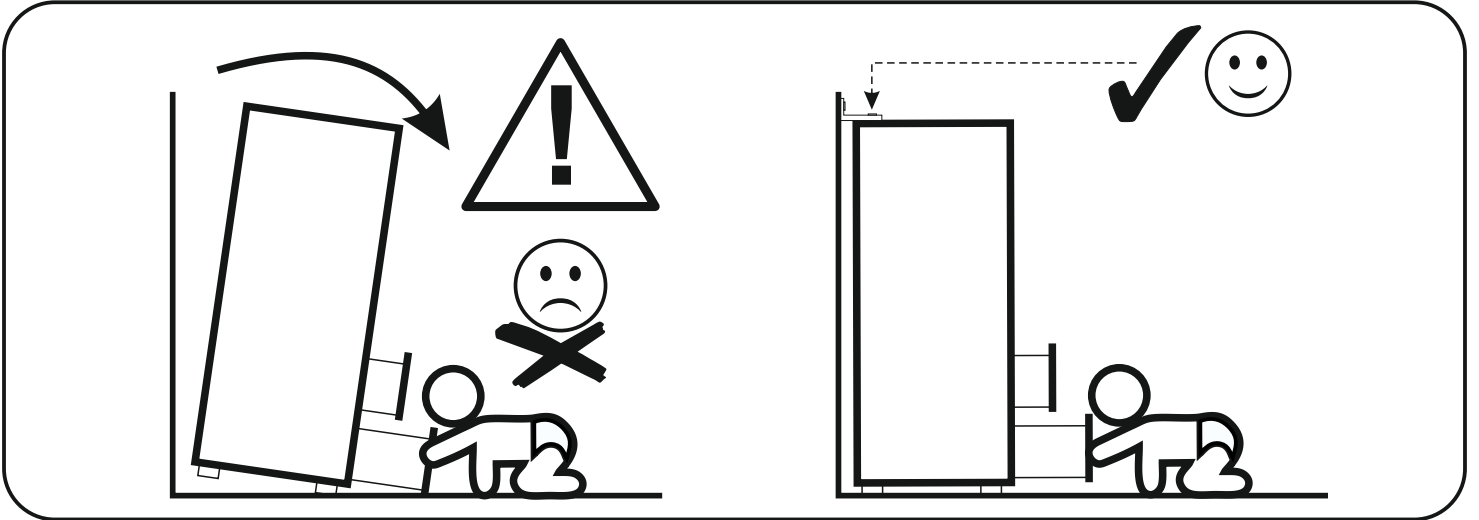
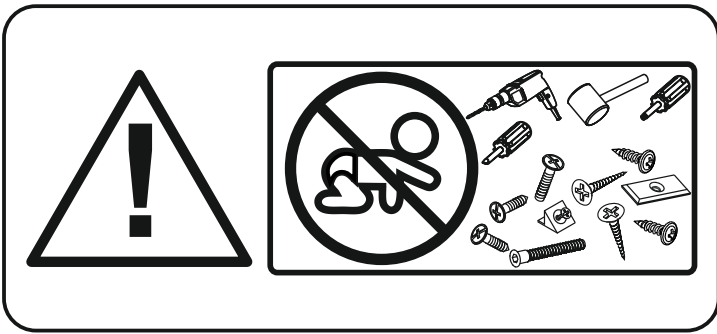
26 ▶





B.M



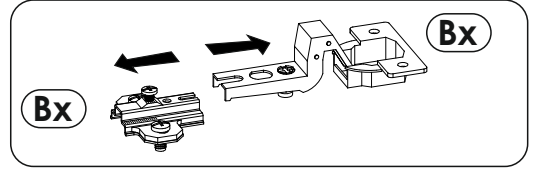
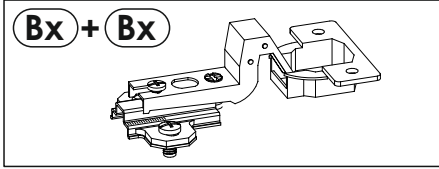
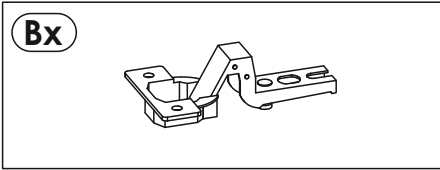
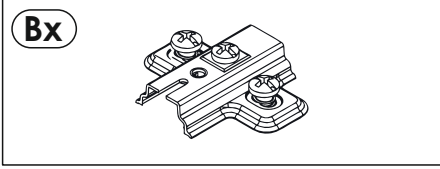


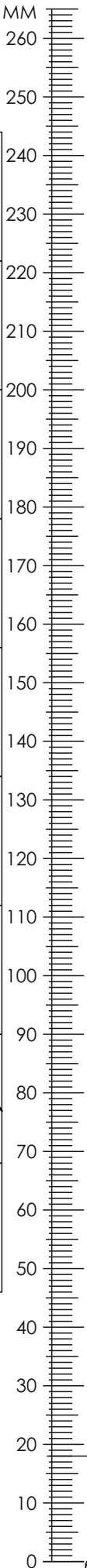


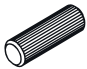
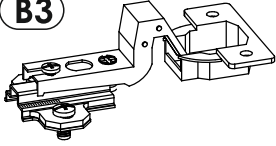


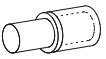



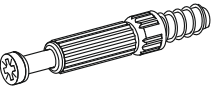
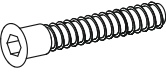
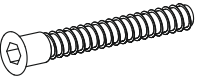




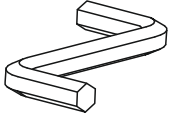
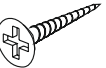

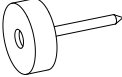
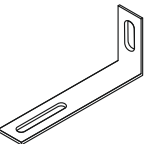
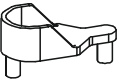
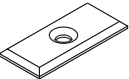
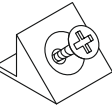
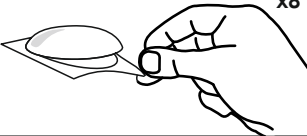
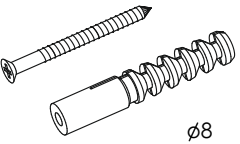
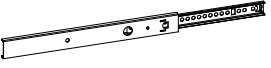
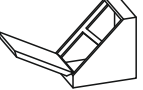
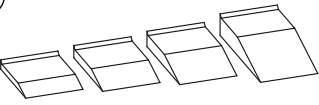

A

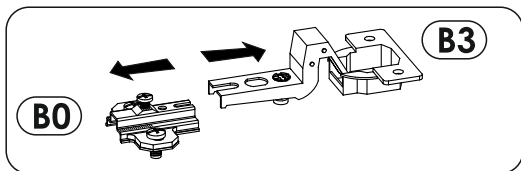


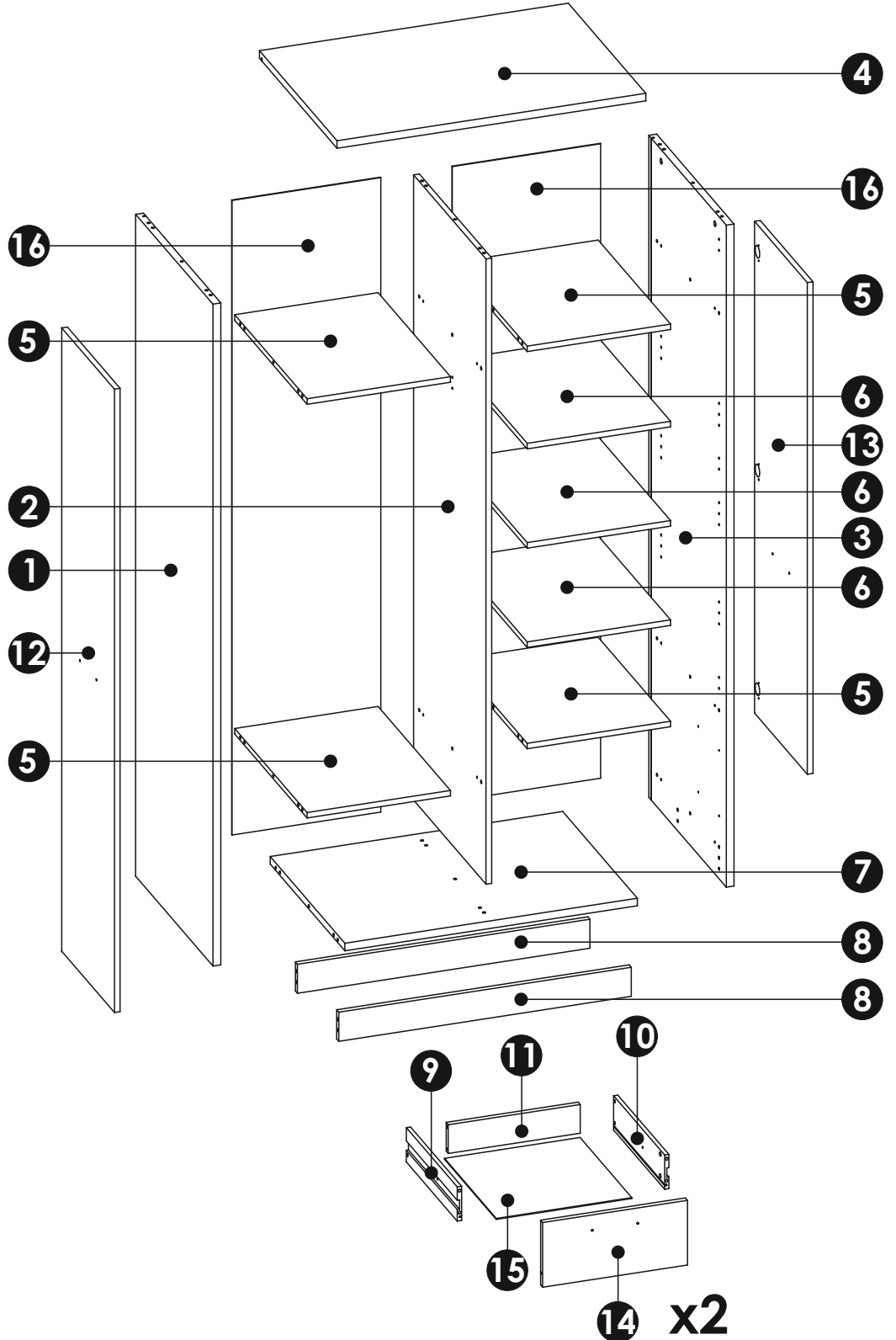
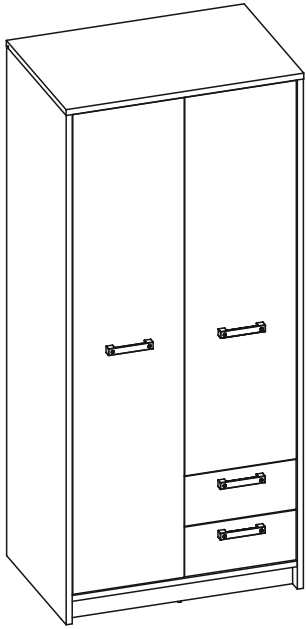
B



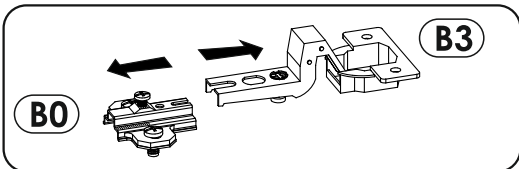
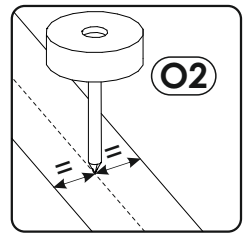
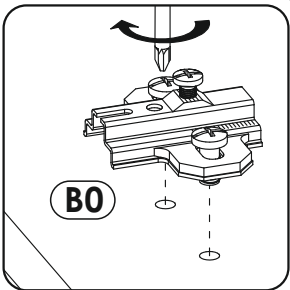
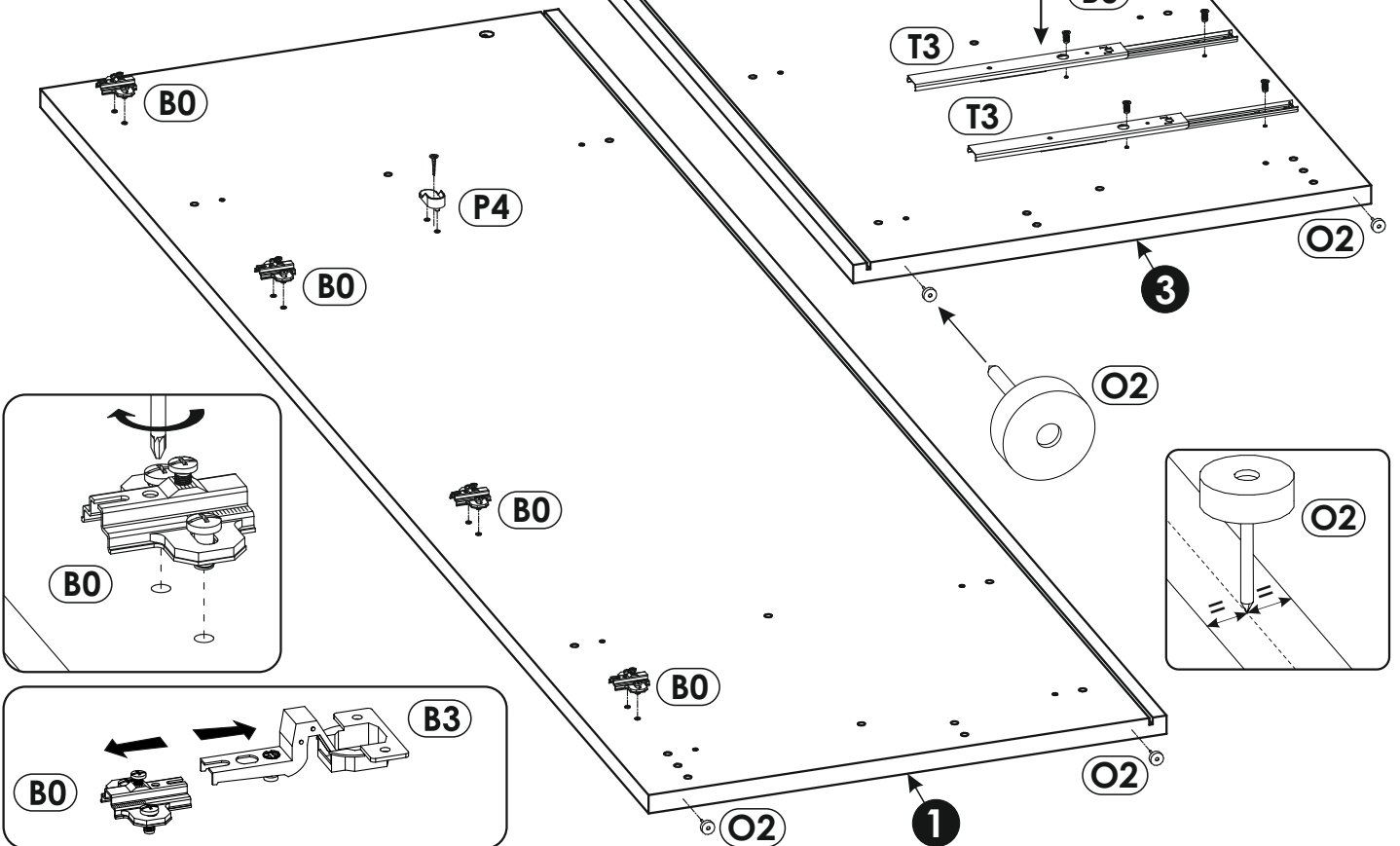
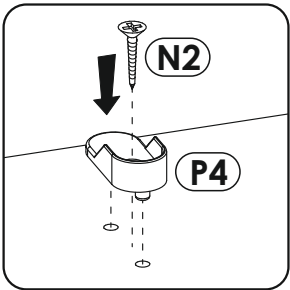
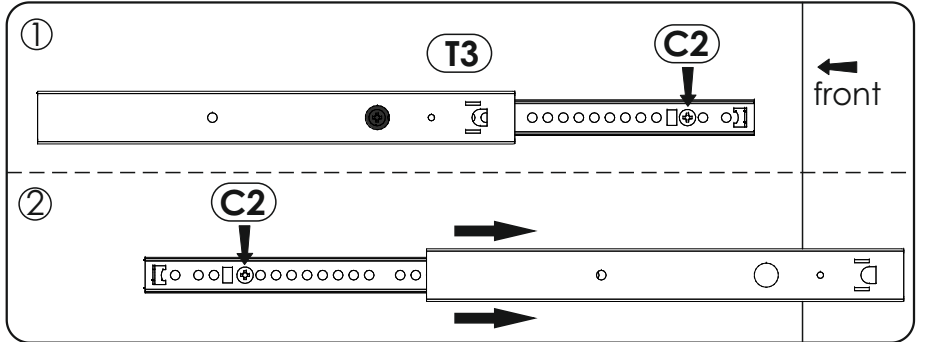
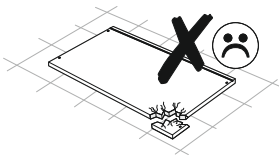
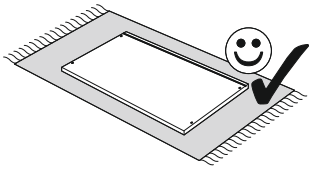
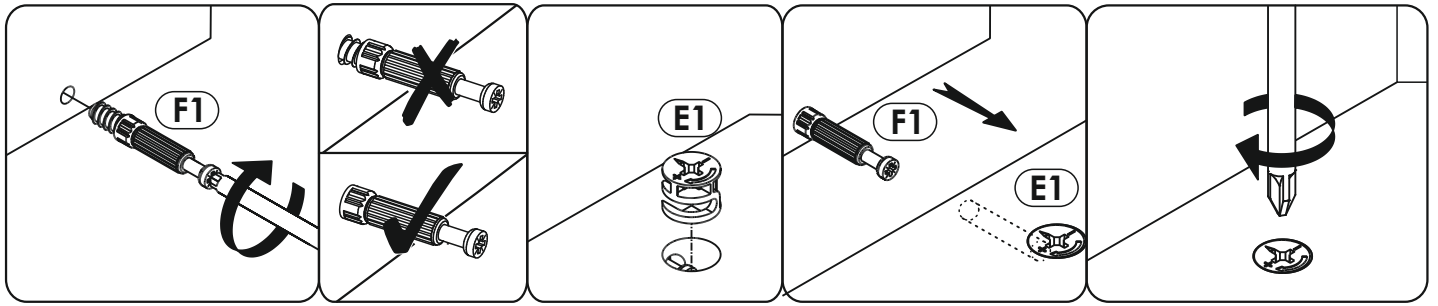


A1 8 x 35 mm x54 	B0 + B3 x7 	C1 4 x 13 mm x14 
C2 5 x 13 mm x8 	D2 x12 	E0 x18 
E1 15 x 12 mm x26 	E3 13 x 10,7 mm x8 	F1 6 x 34 mm x34 
G1 7 x 50 mm x4 	G2 7 x 60 mm x2 	H1 x4 
I2 4 x 16 mm x2 	I6 4 x 27 mm x8 	K1 4 x 9 mm x4 
M x1 	N1 3 X 16 mm x30 	N2 3,5 X 16 mm x10 
O2 x6 	Q9 x2 	P4 x2 
R1 x12 	R4 x14 	R8 x8 
S13 x2  ø8	T3 L-251 x4 	W x4 
Z x1 	Z1 L-395 x1 	

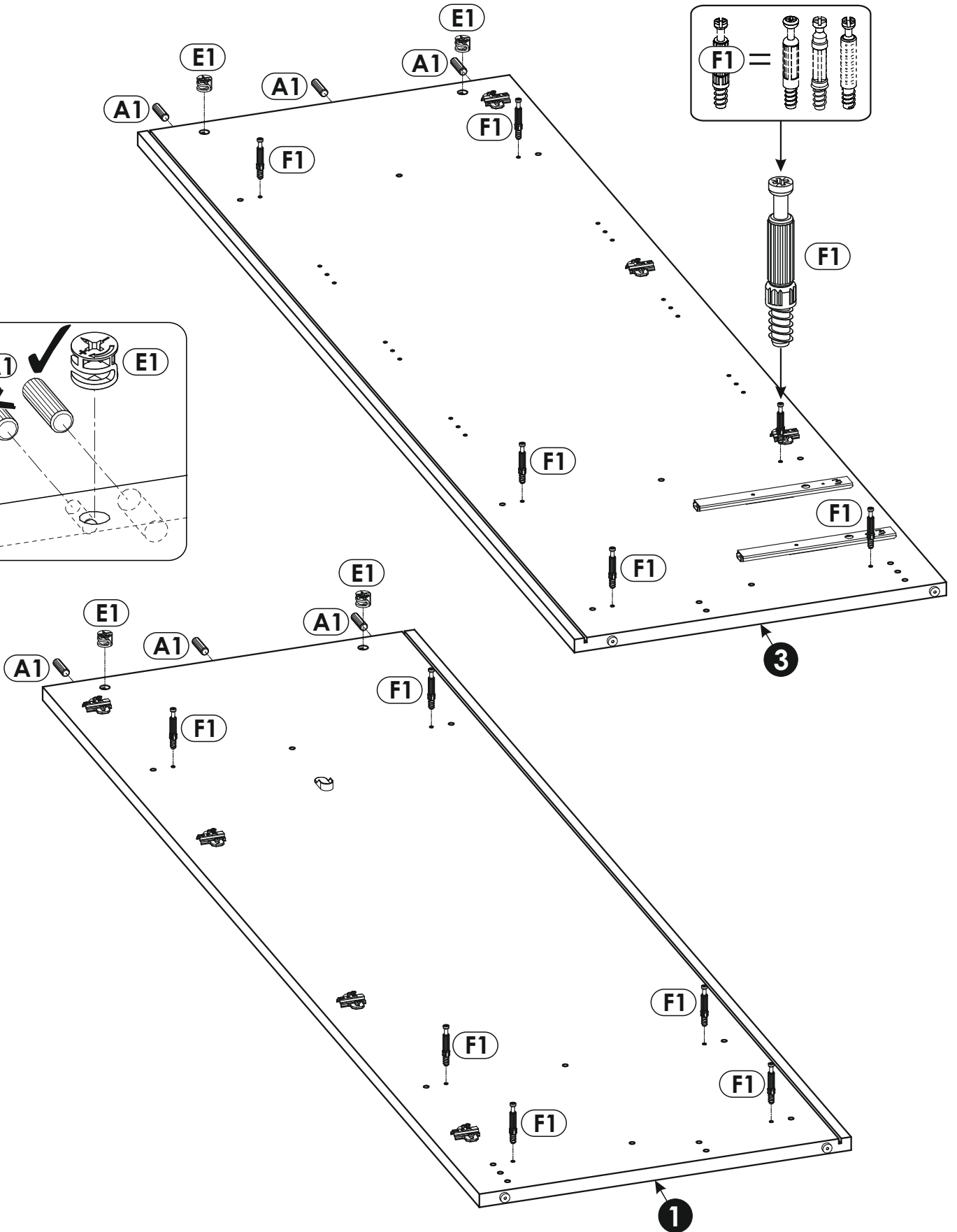
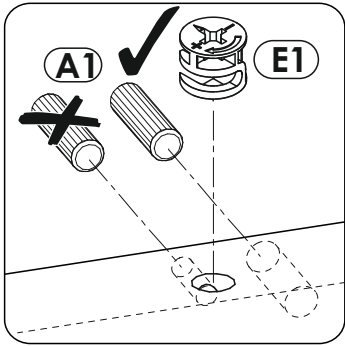
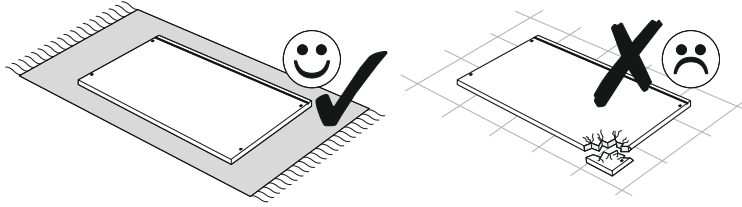




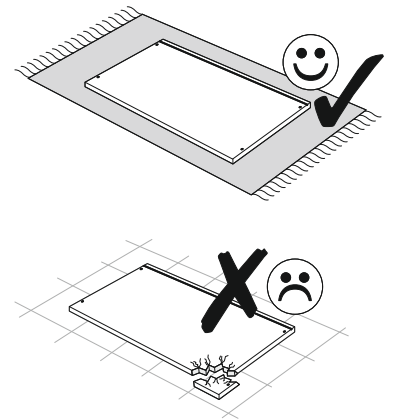
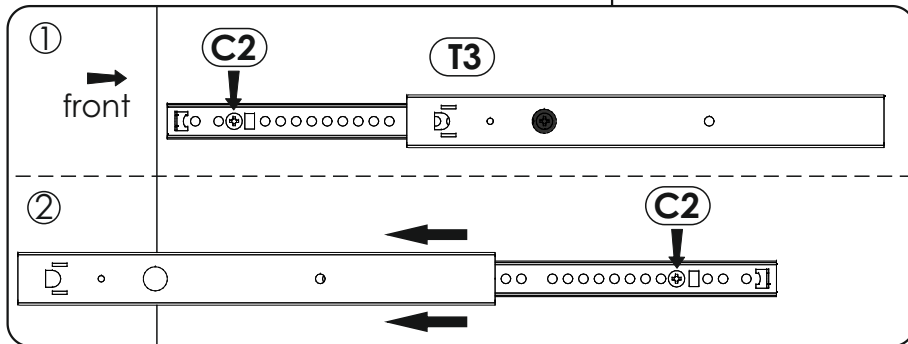
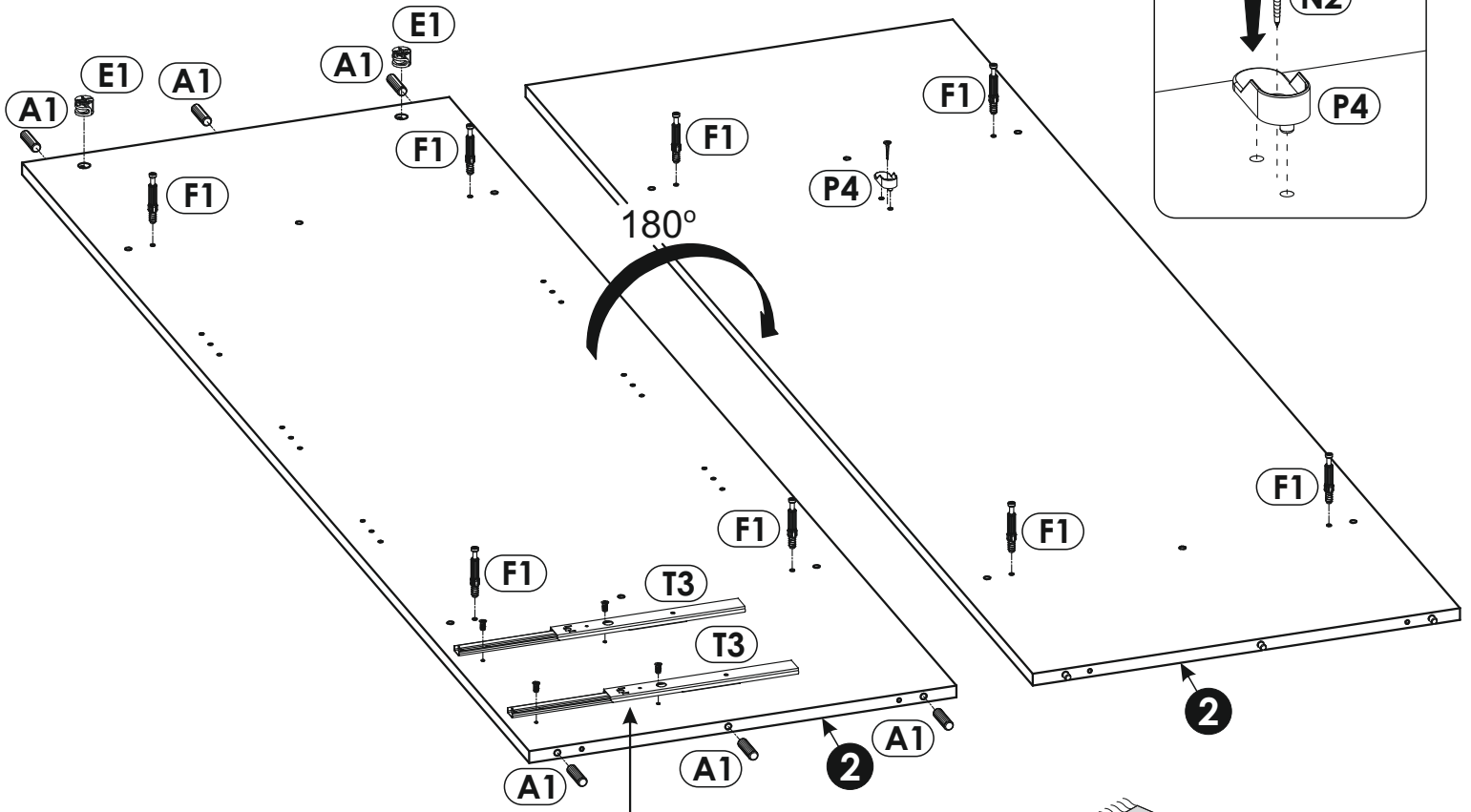
1	1933	599	22	x1	3/4
2	1826	560	16	x1	2/4
3	1933	599	22	x1	2/4
4	870	600	22	x1	1/4
5	404	560	16	x4	1/4
6	404	545	16	x3	4/4
7	824	578	22	x1	1/4
8	824	85	16	x2	4/4
9	395	100	12	x2	1/4
10	395	100	12	x2	1/4
11	372	84	16	x2	4/4
12	1820	408	16	x1	4/4
13	1436	408	16	x1	4/4
14	408	189	16	x2	4/4
15	382	400	3	x2	4/4
16	1853	418	3	x2	3/4



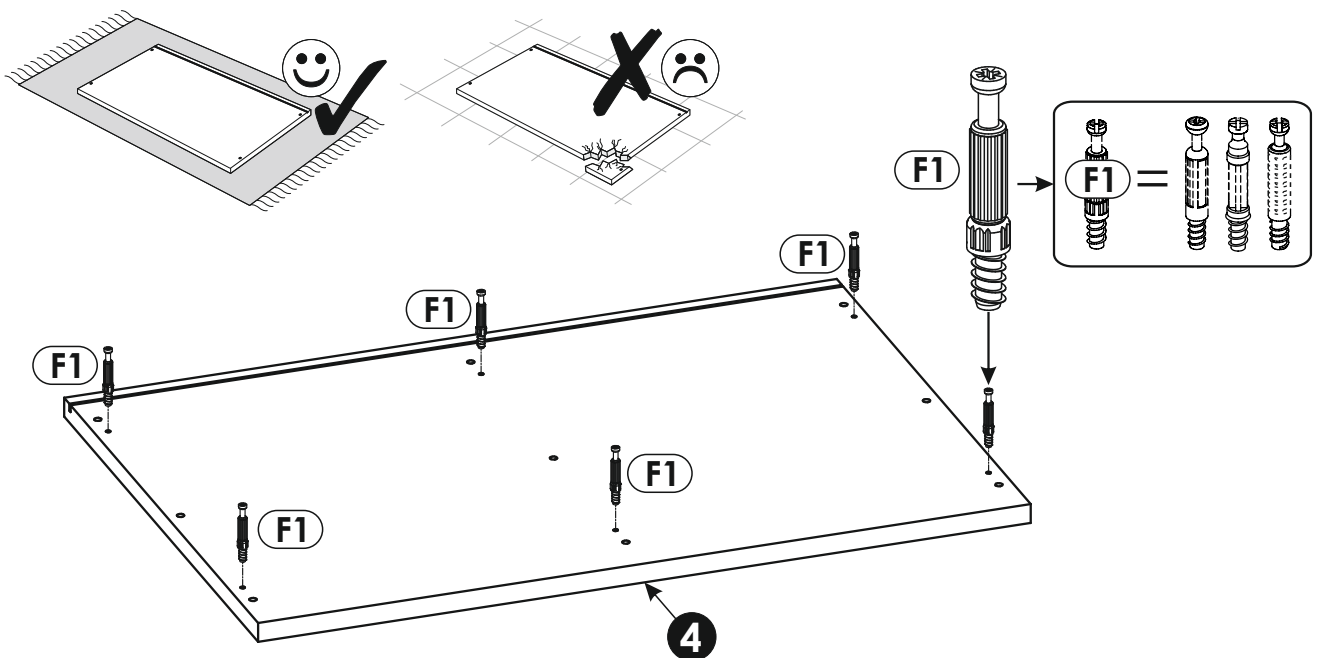
2 ▶



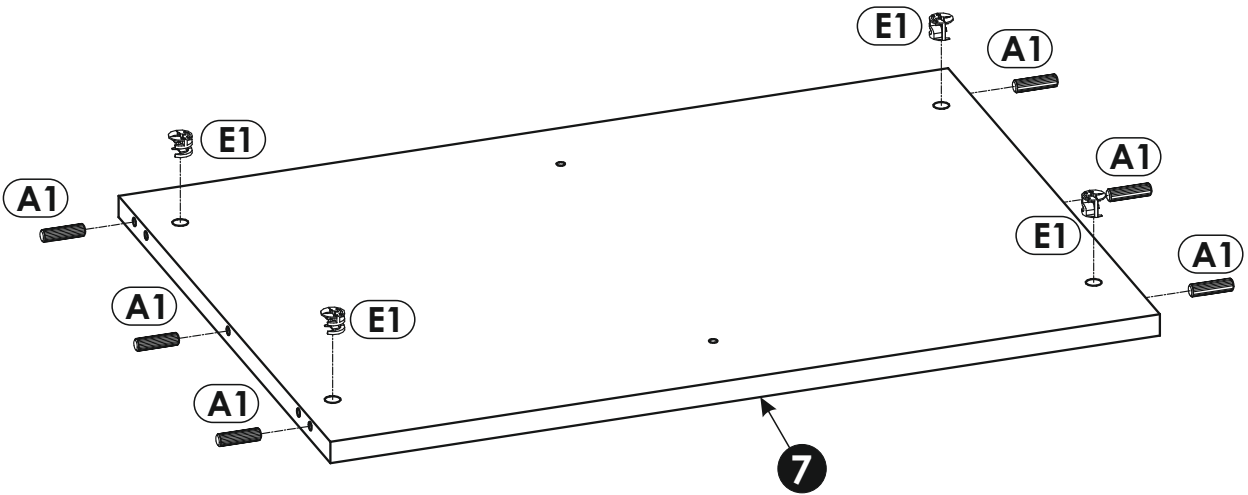
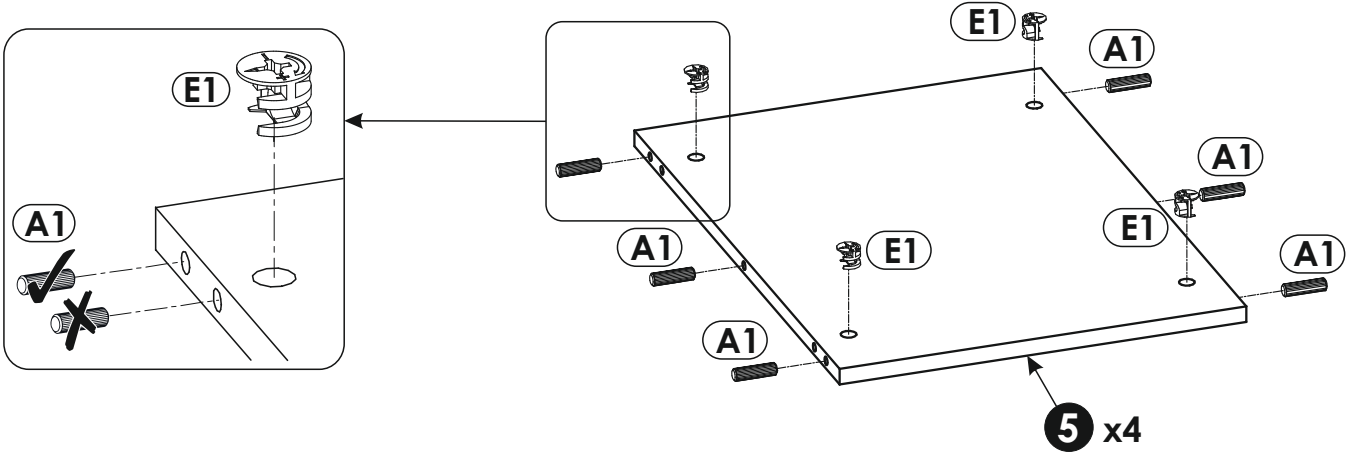
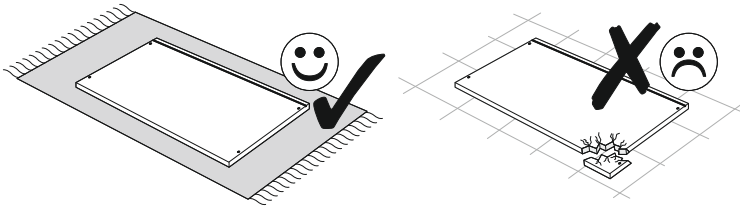
3 ▶



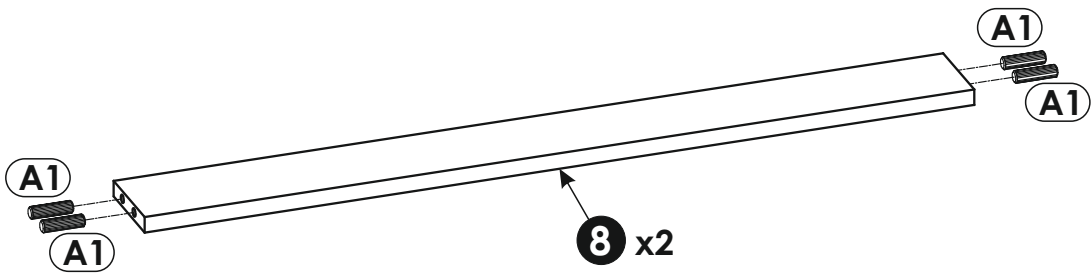
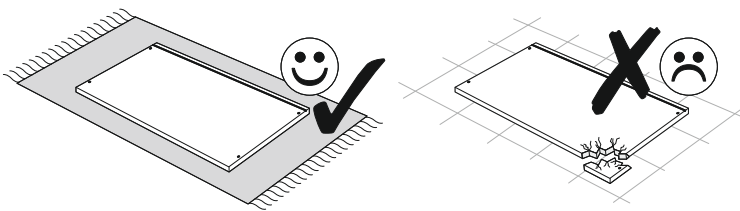
4 ▶

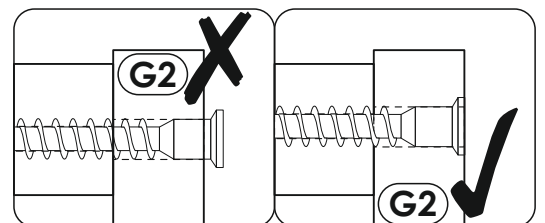
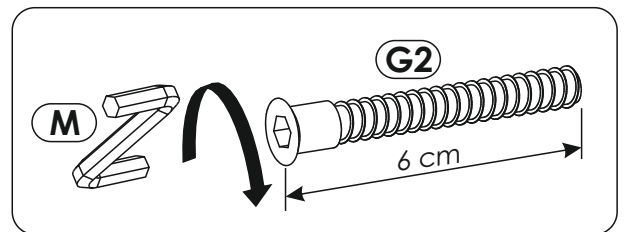
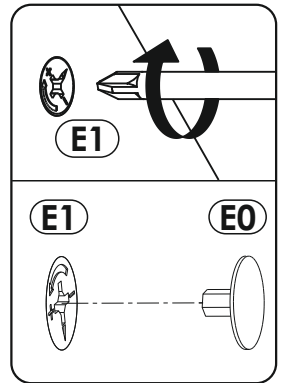
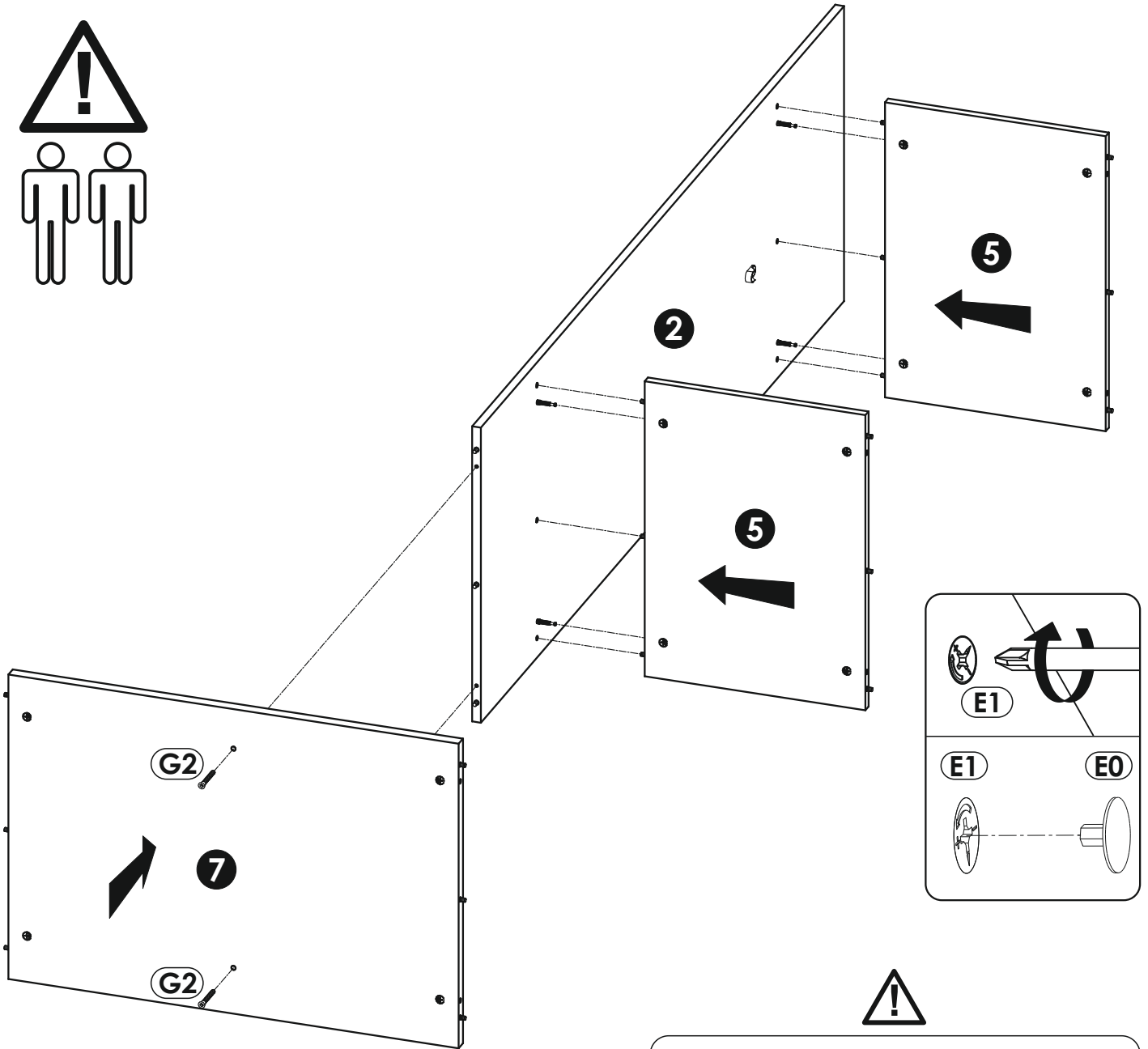
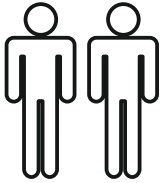
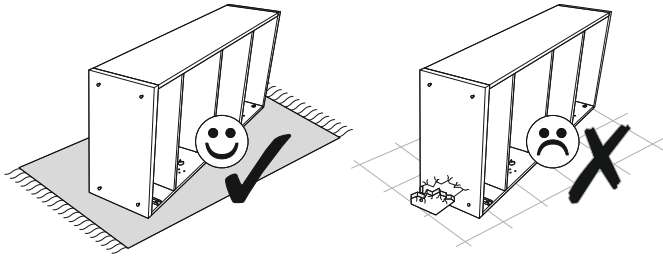


5 ▶

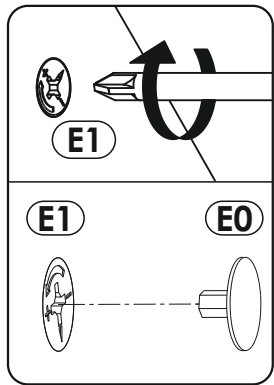
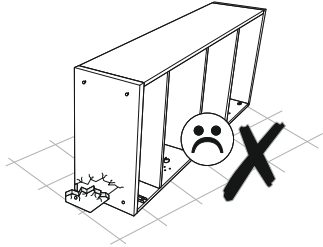
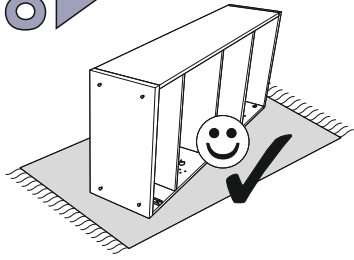


6 ▶

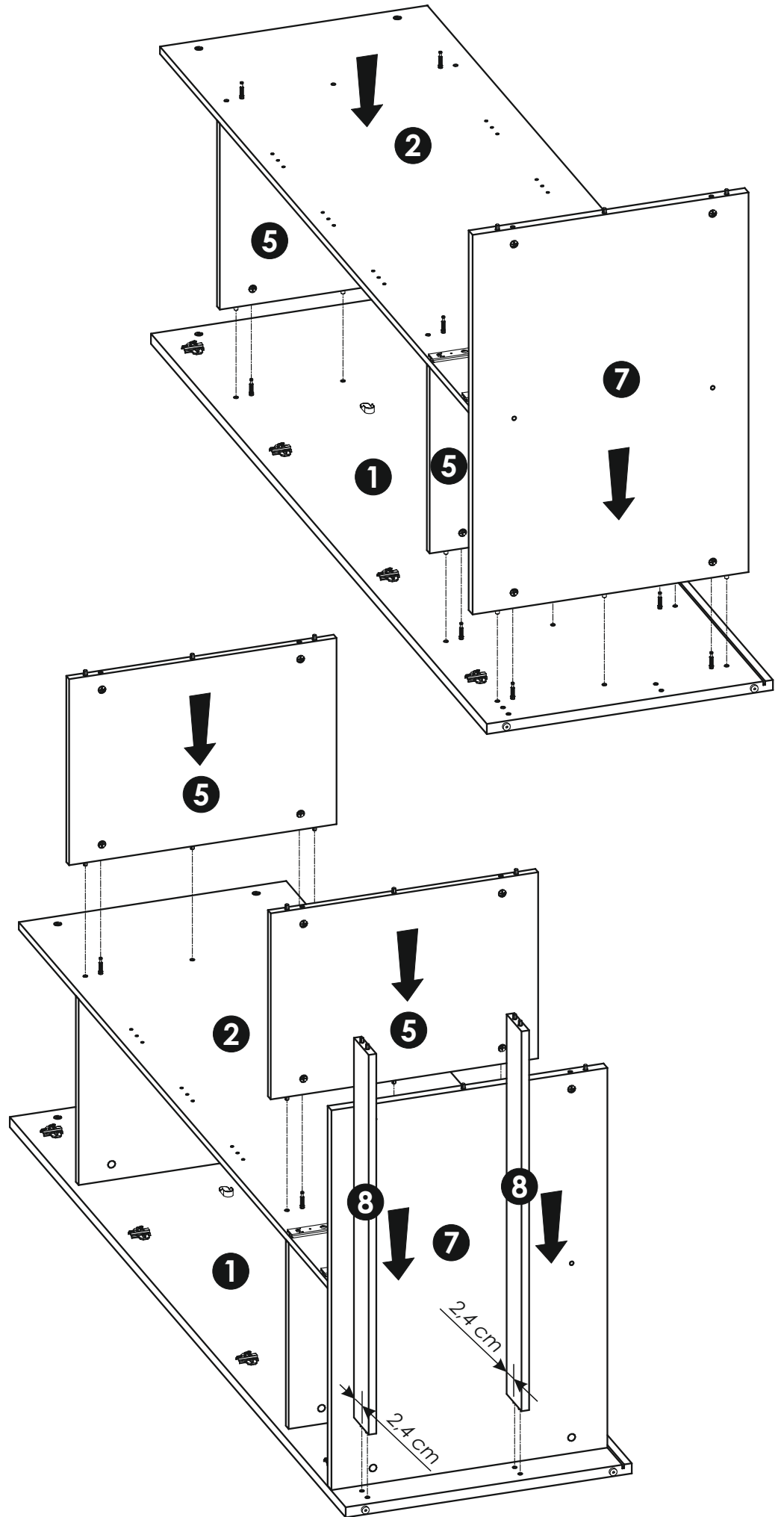
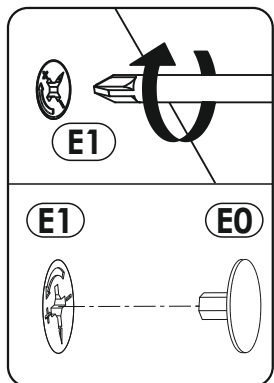
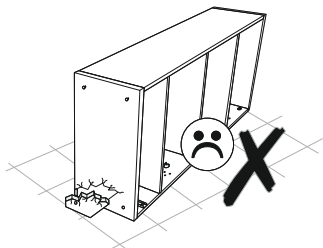
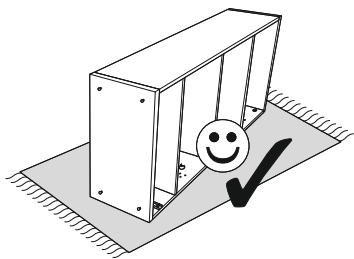




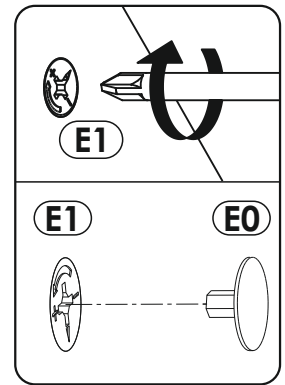
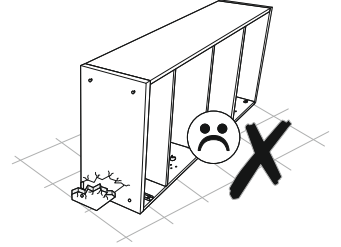
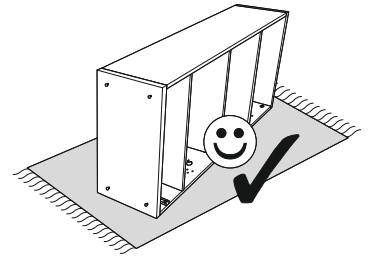
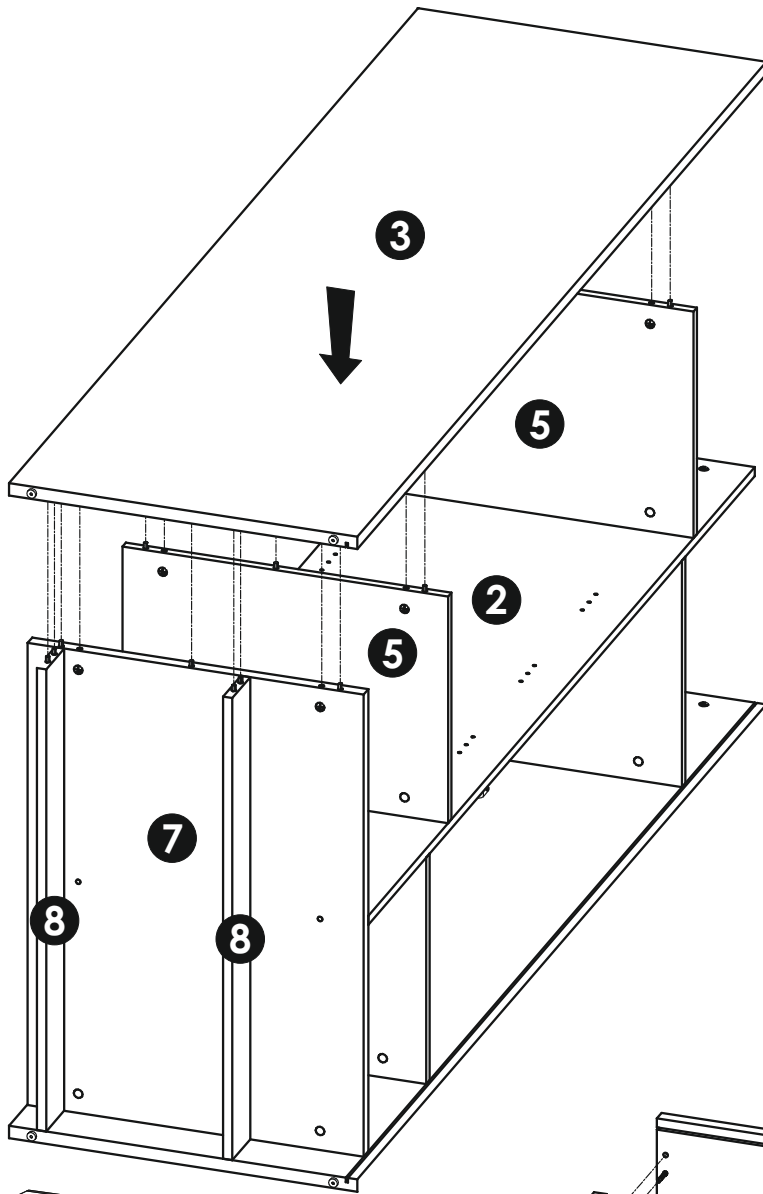
8 ▶



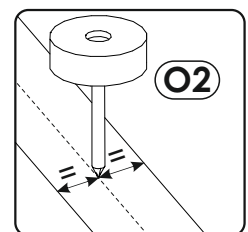
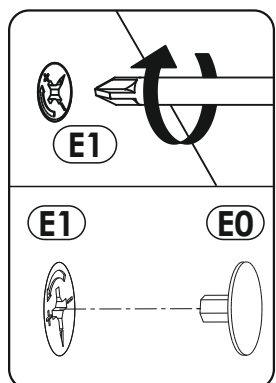
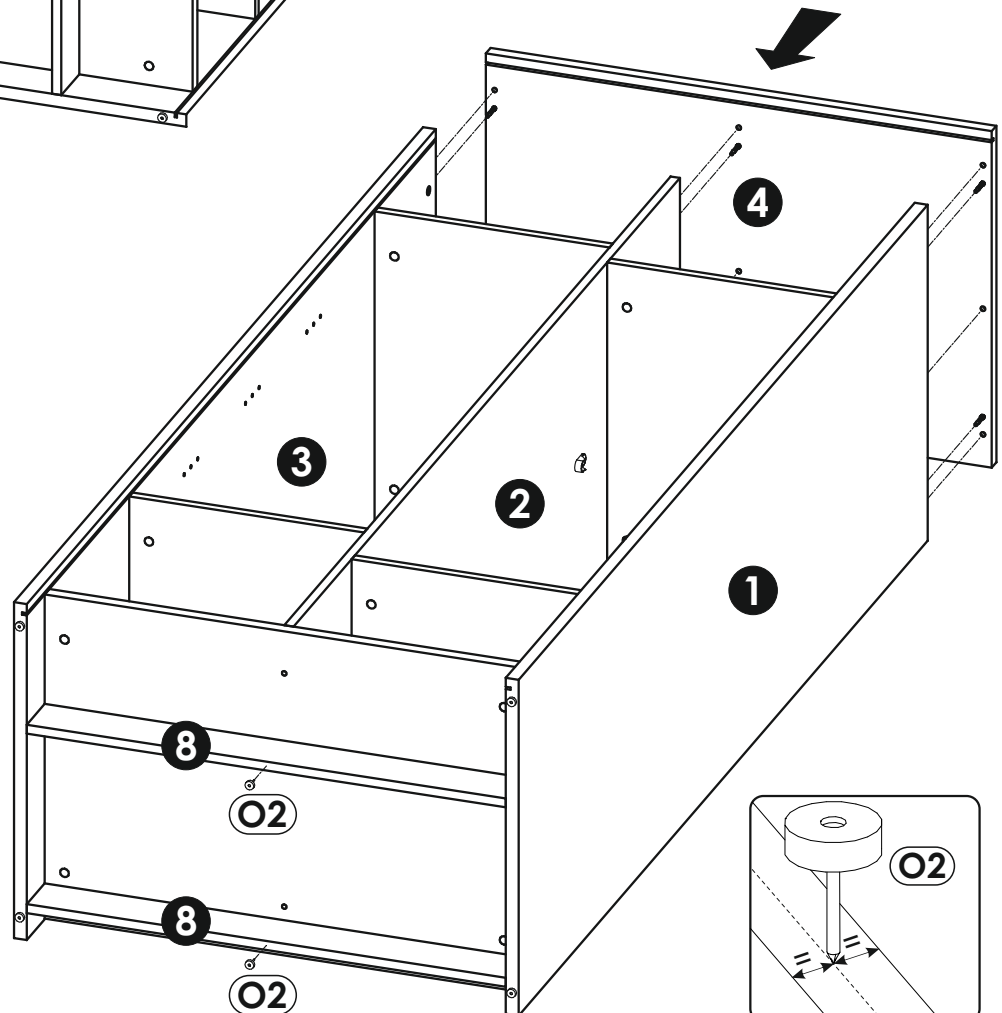
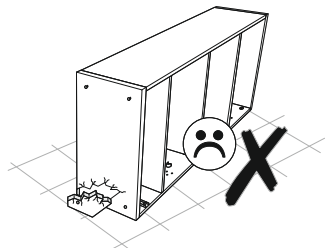
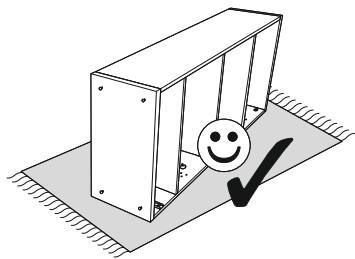
9 ▶



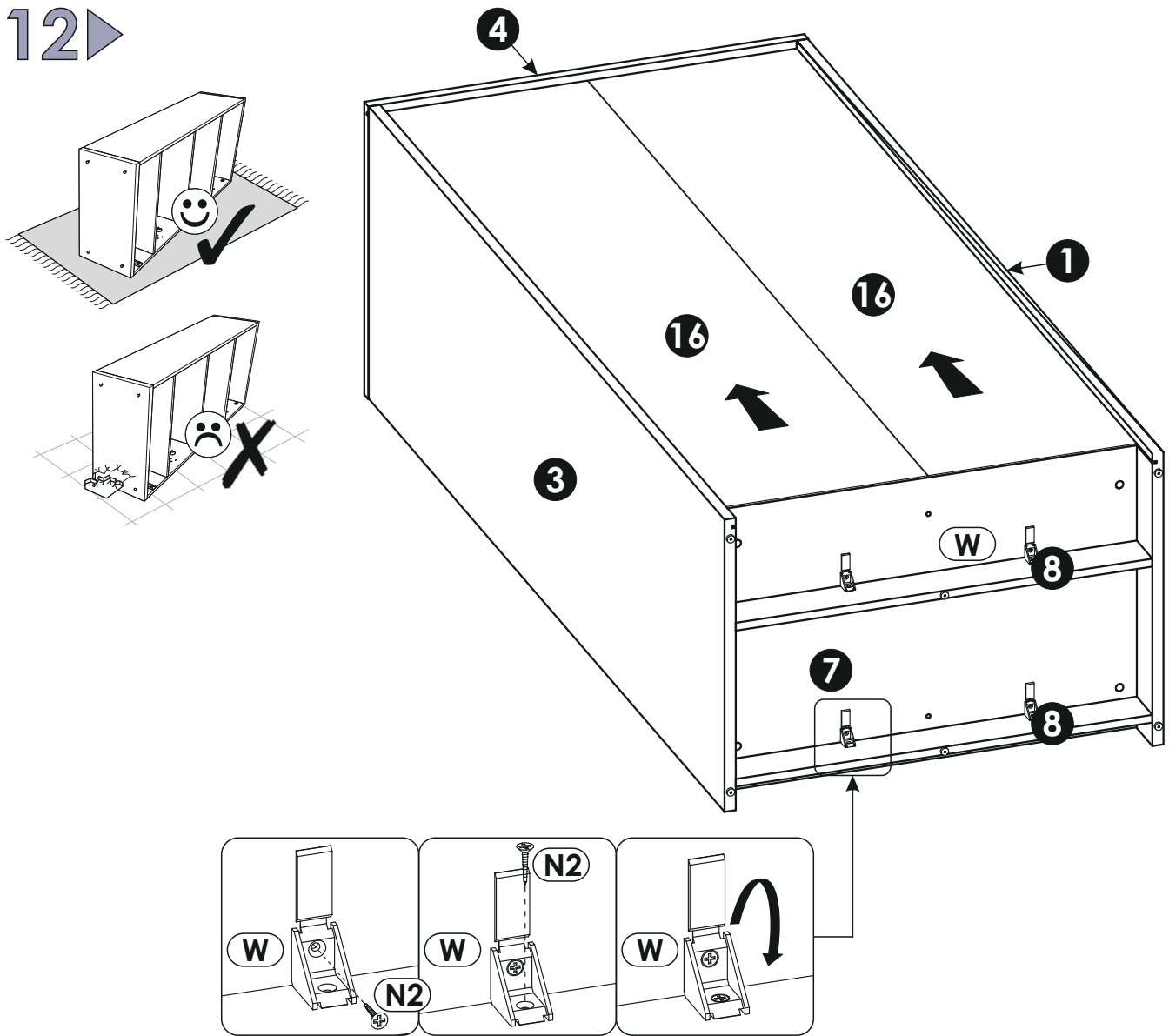
10 ▶



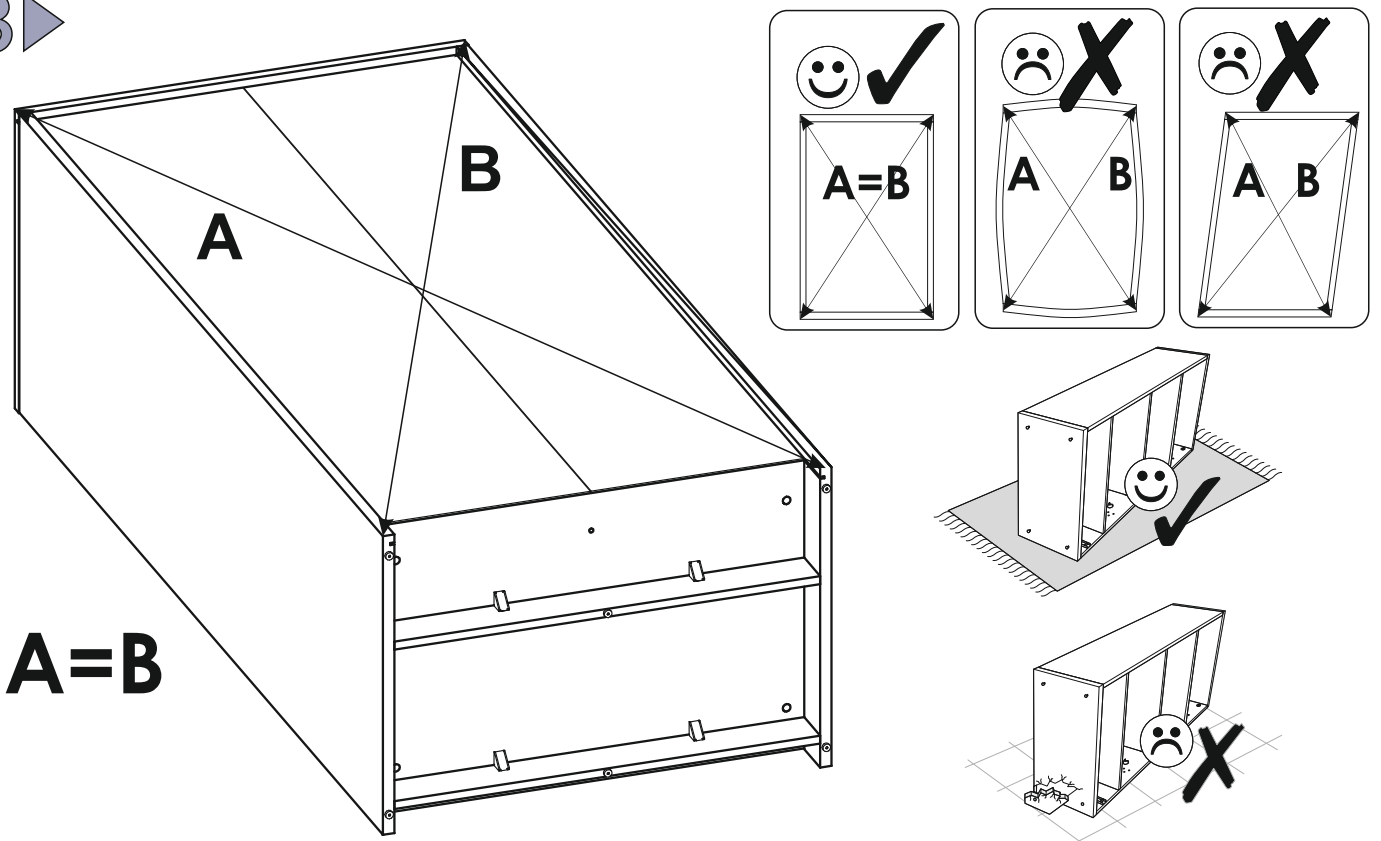
11 ▶



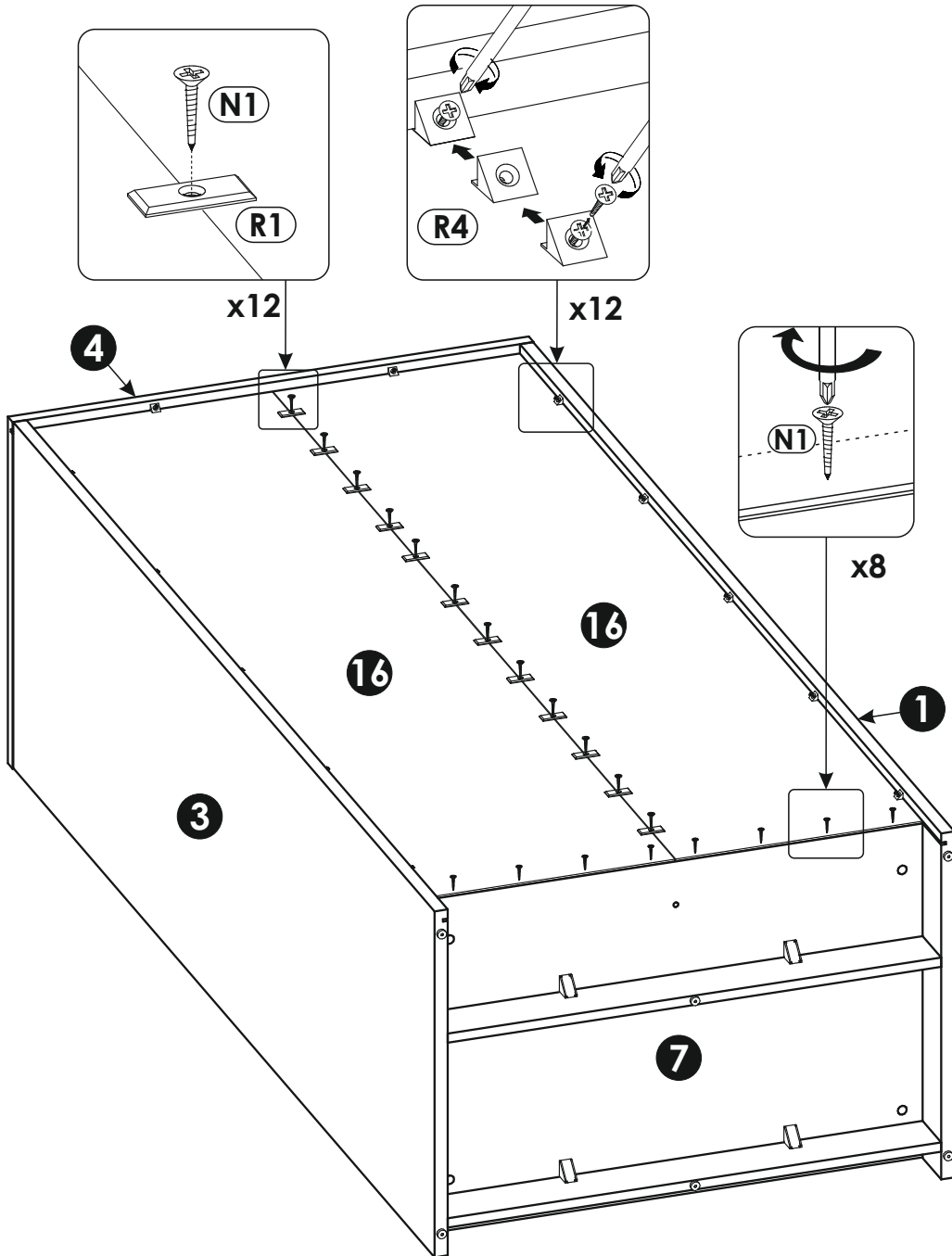
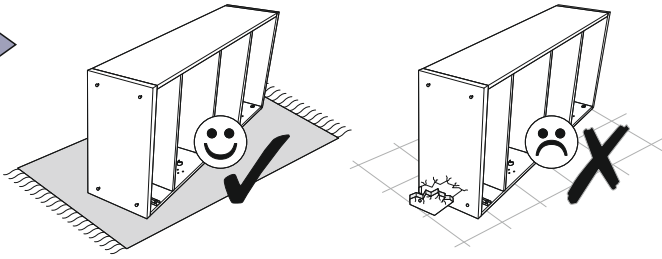
12 ▶

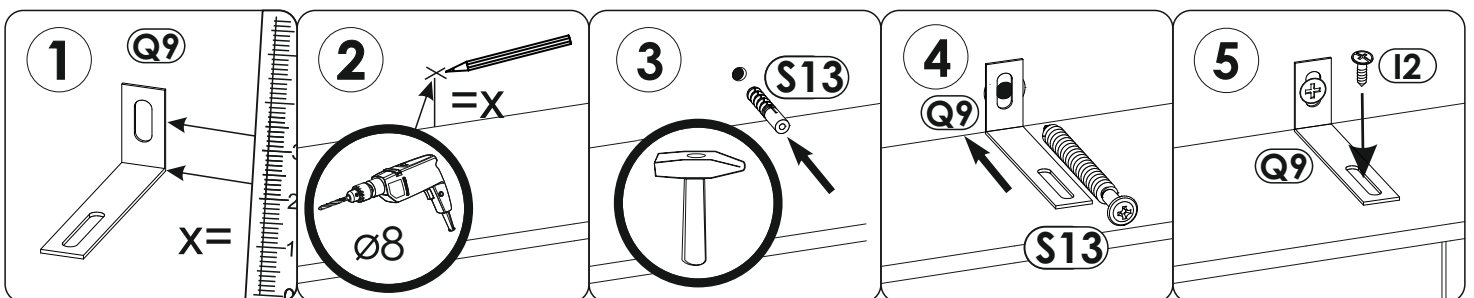
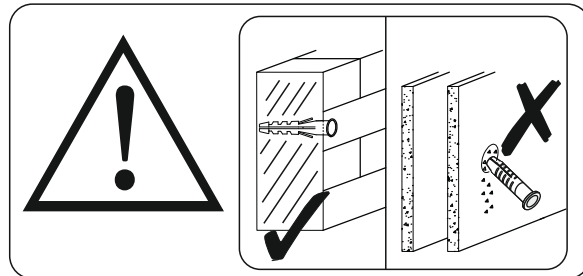
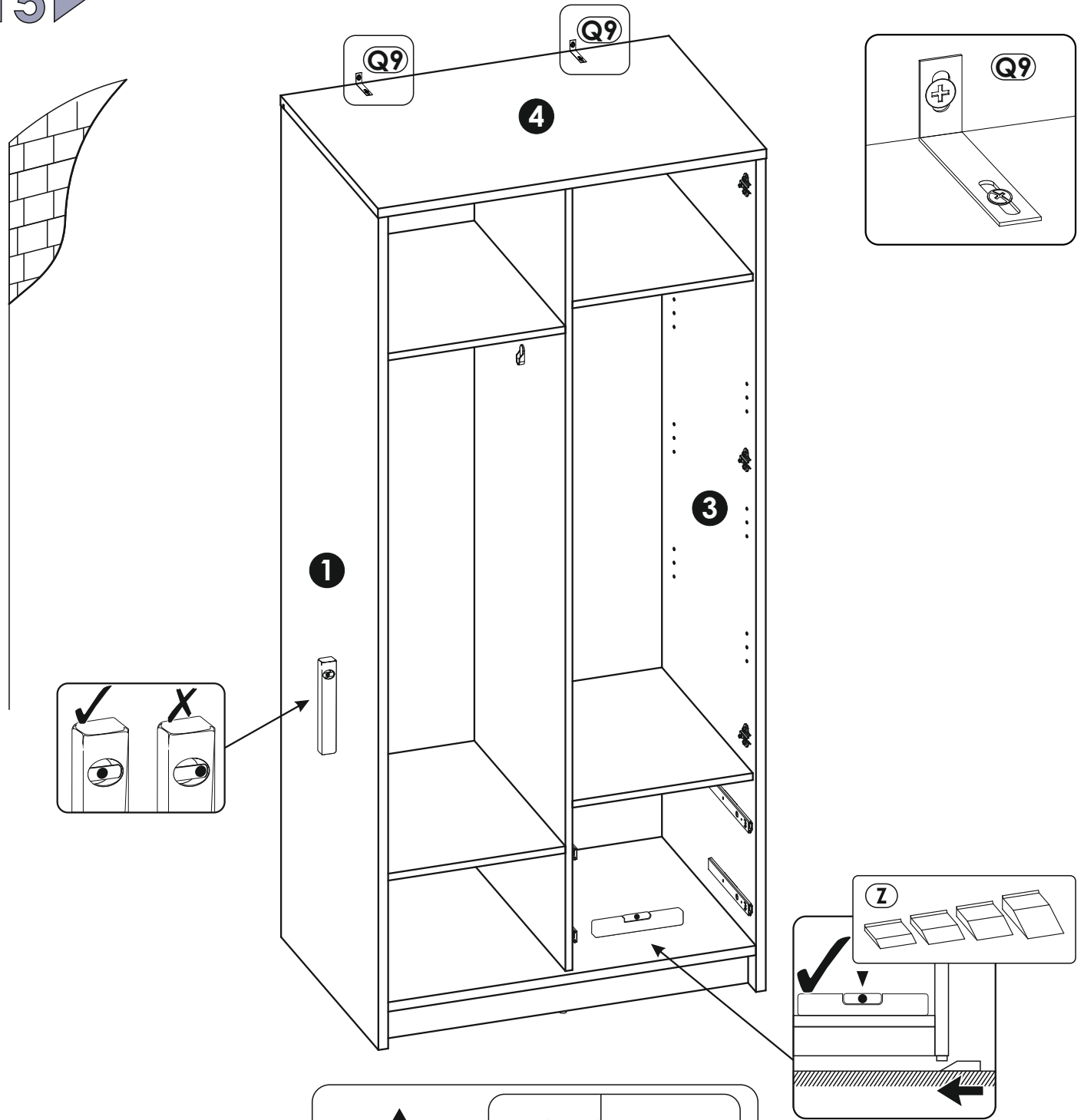


13 ▶

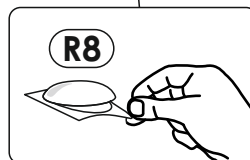
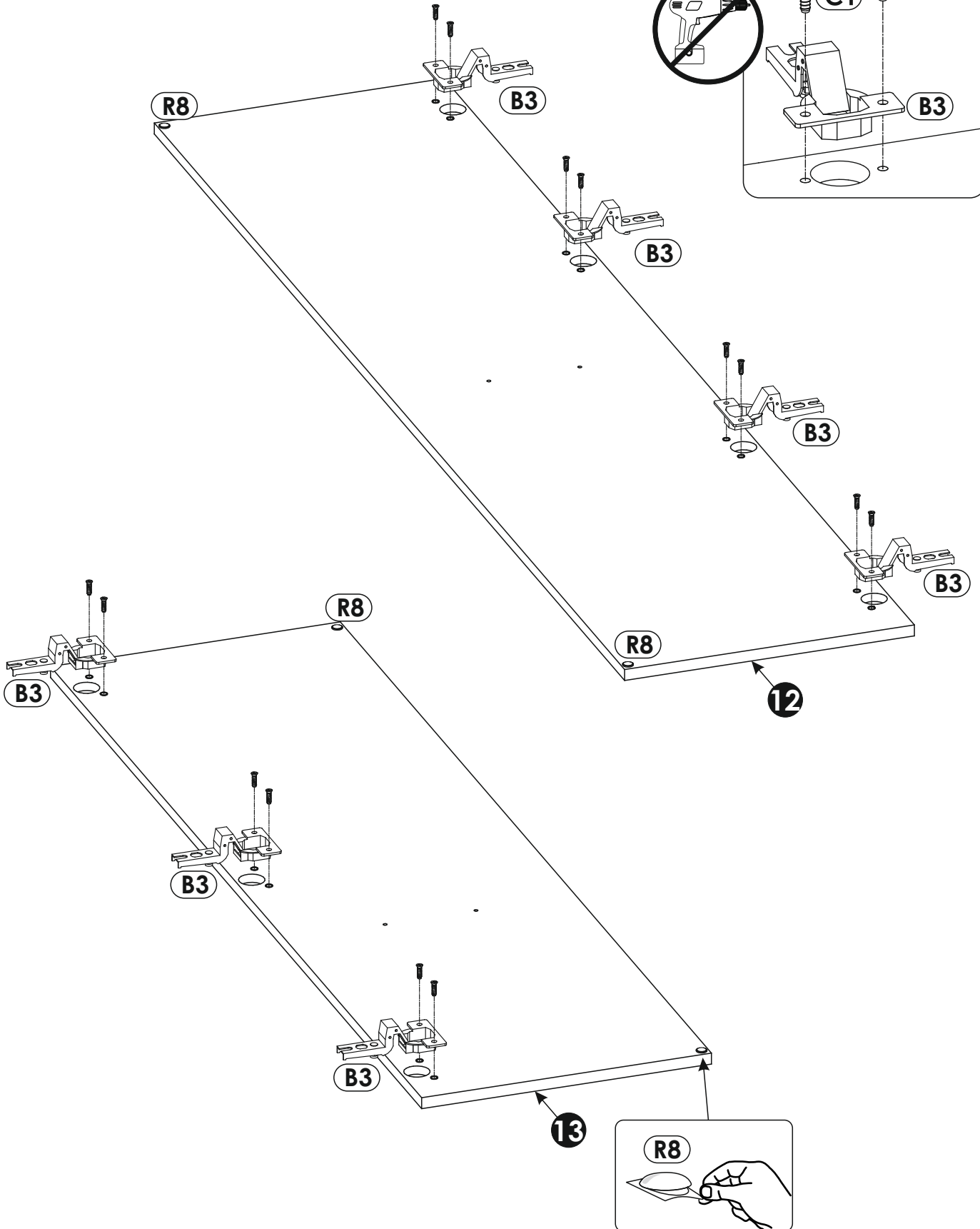
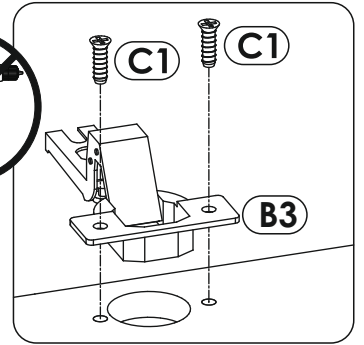
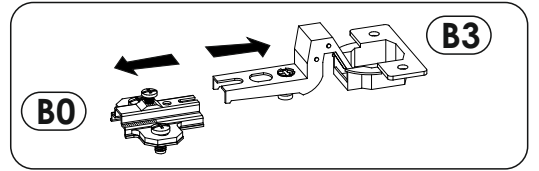
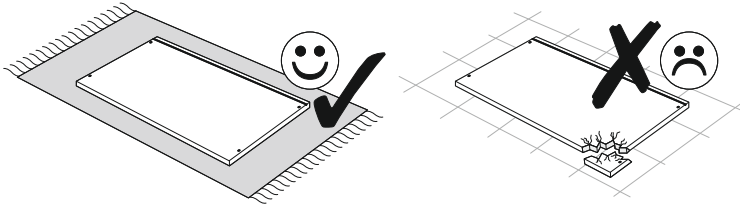


14▶

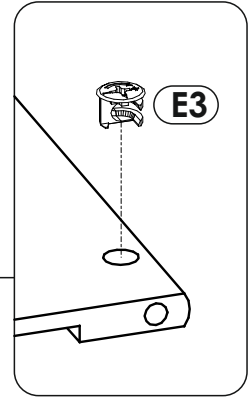
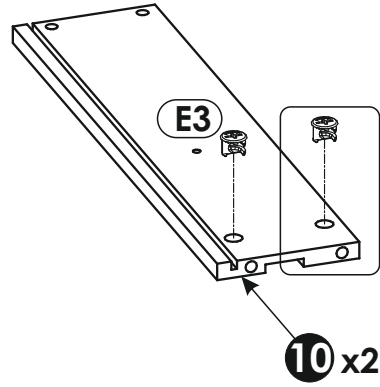
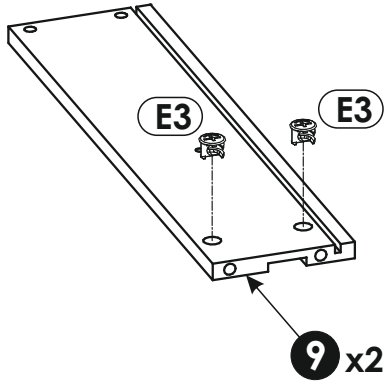
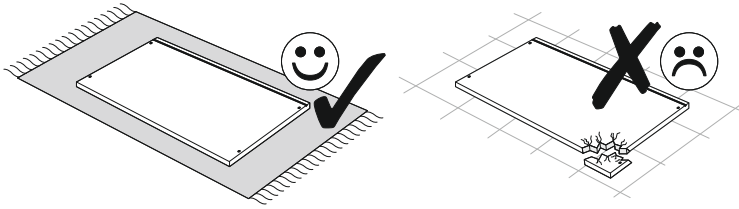




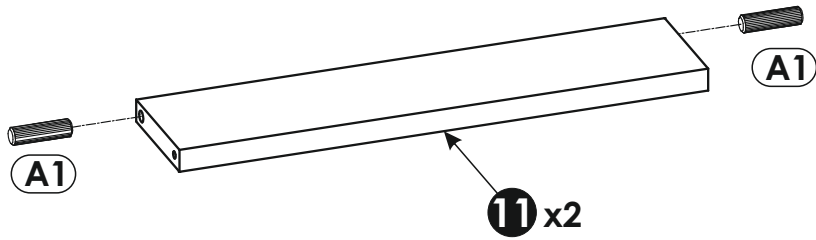
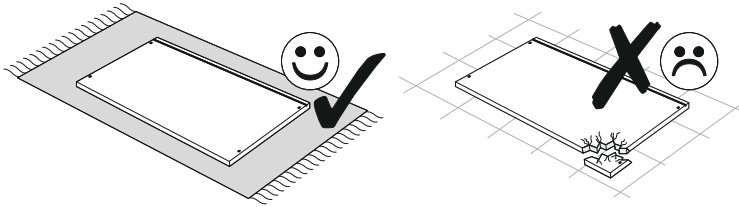
16 ▶



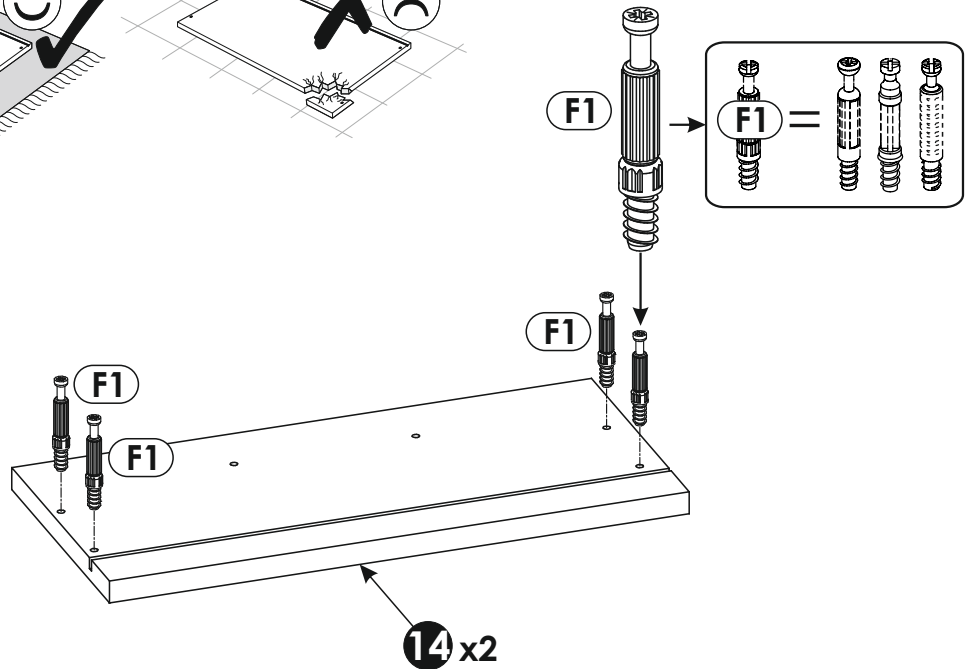
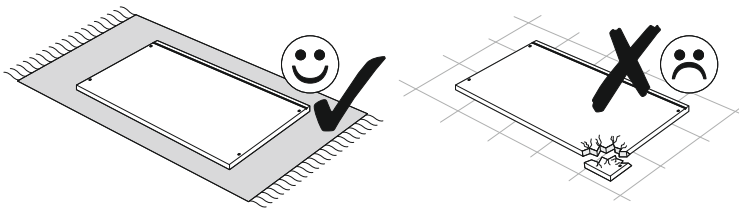
17▶



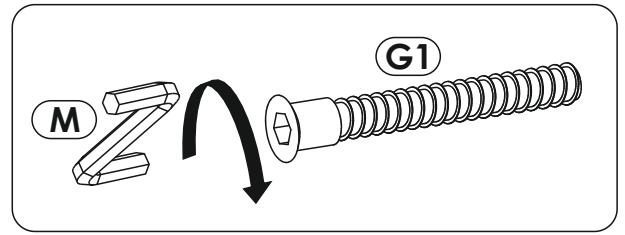
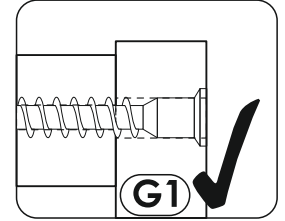
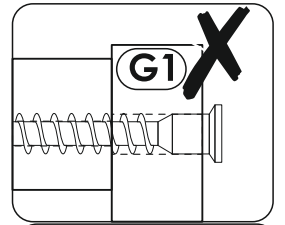
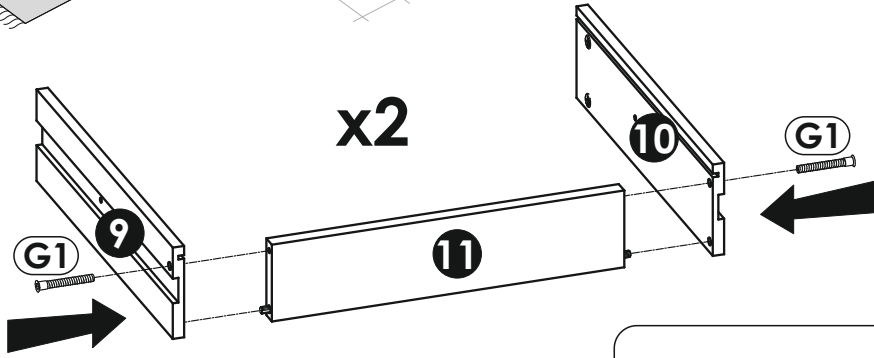
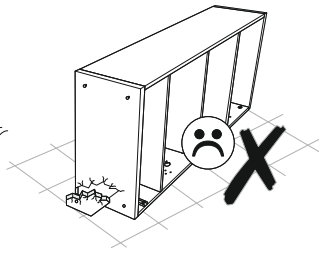
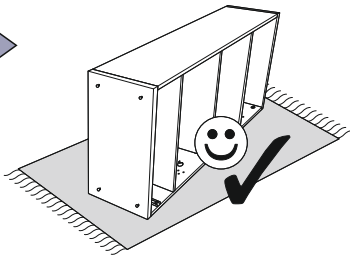
18▶



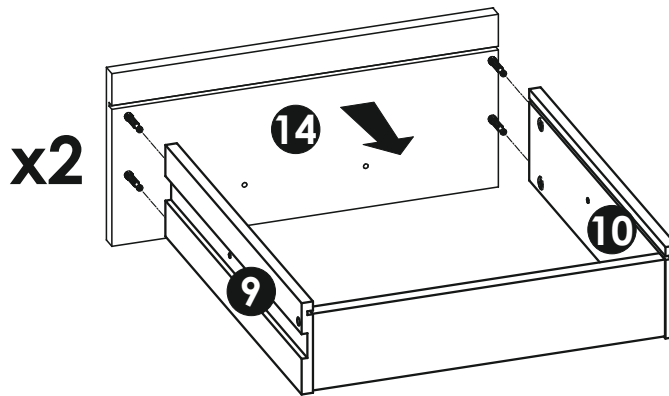
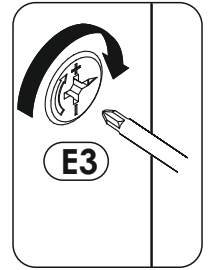
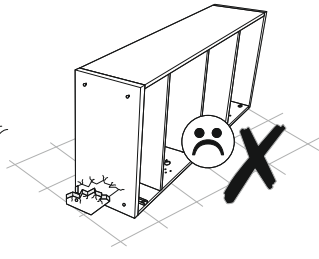
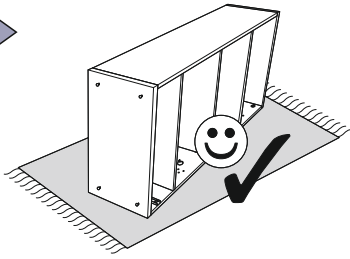
19▶



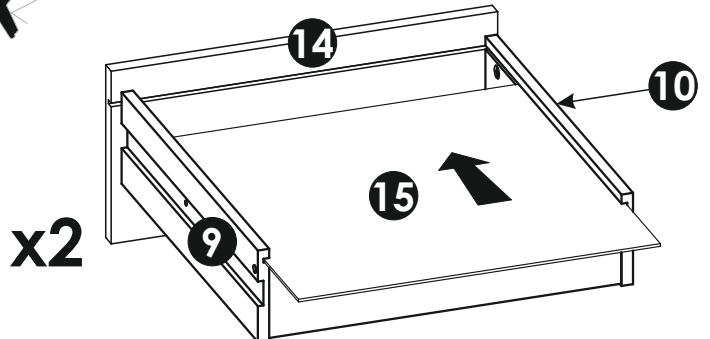
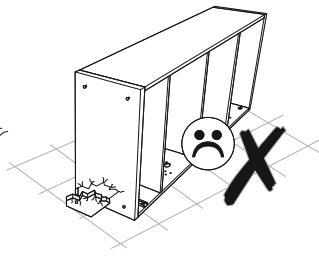
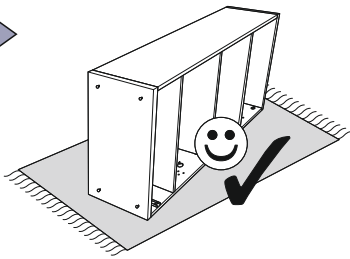
20 ▶



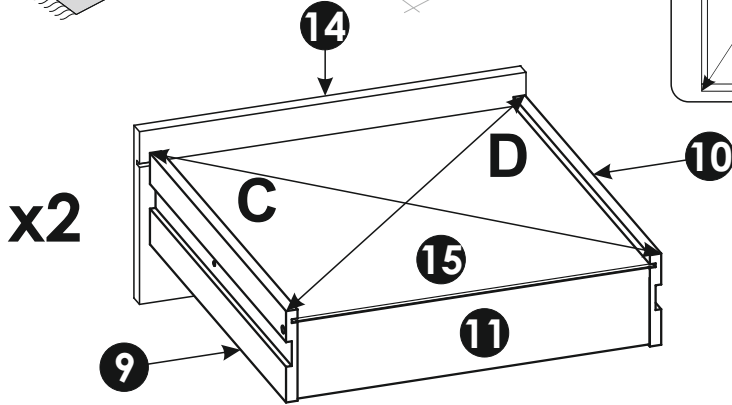
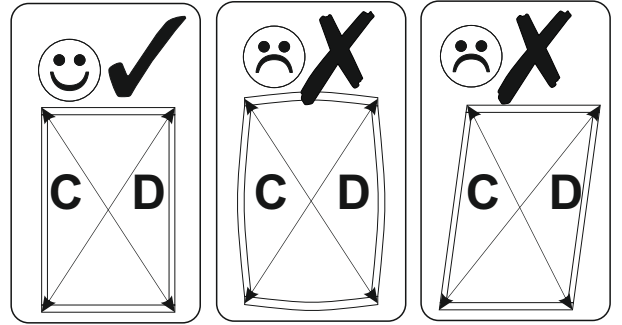
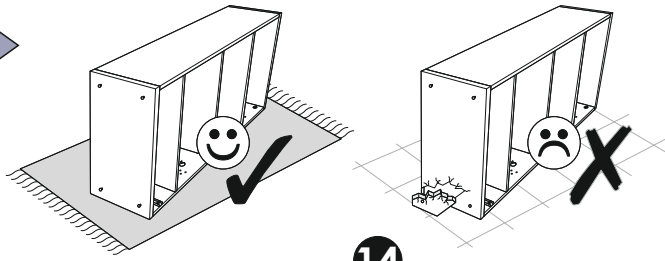
21 ▶



22 ▶

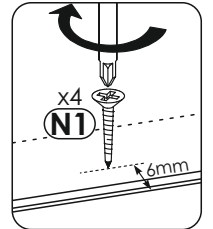
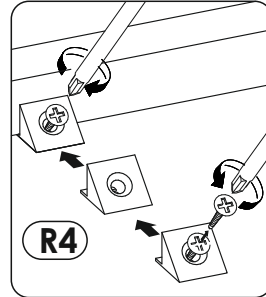
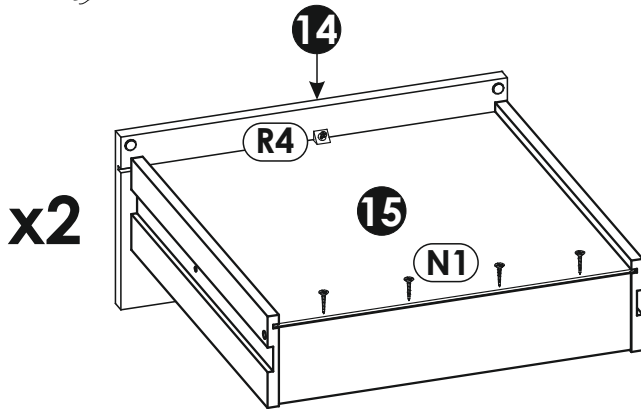
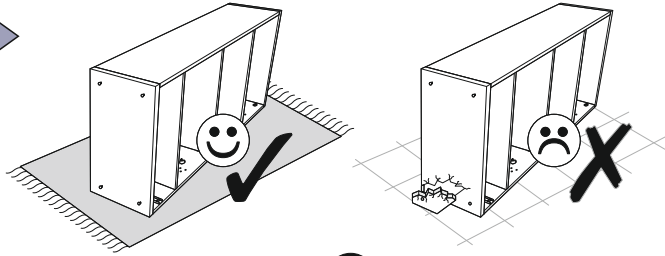


23 ▶

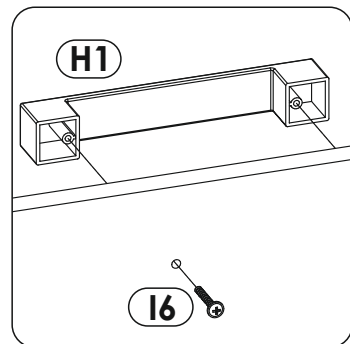
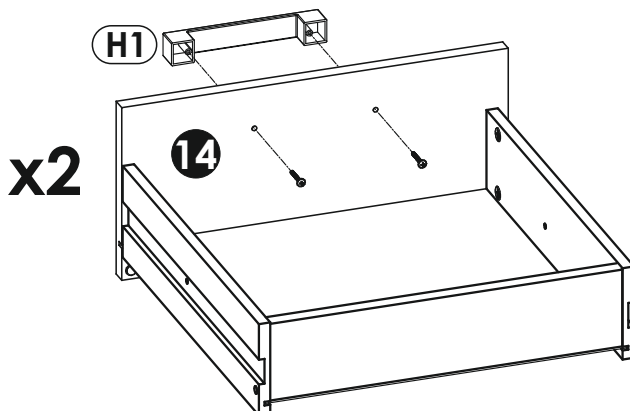
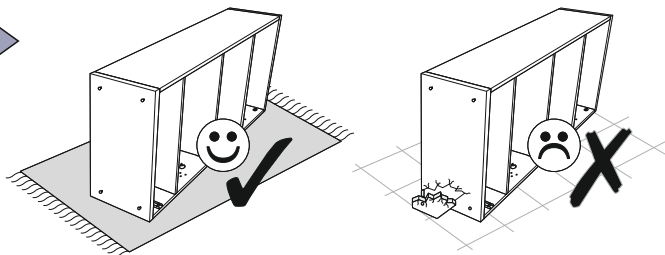


C=D

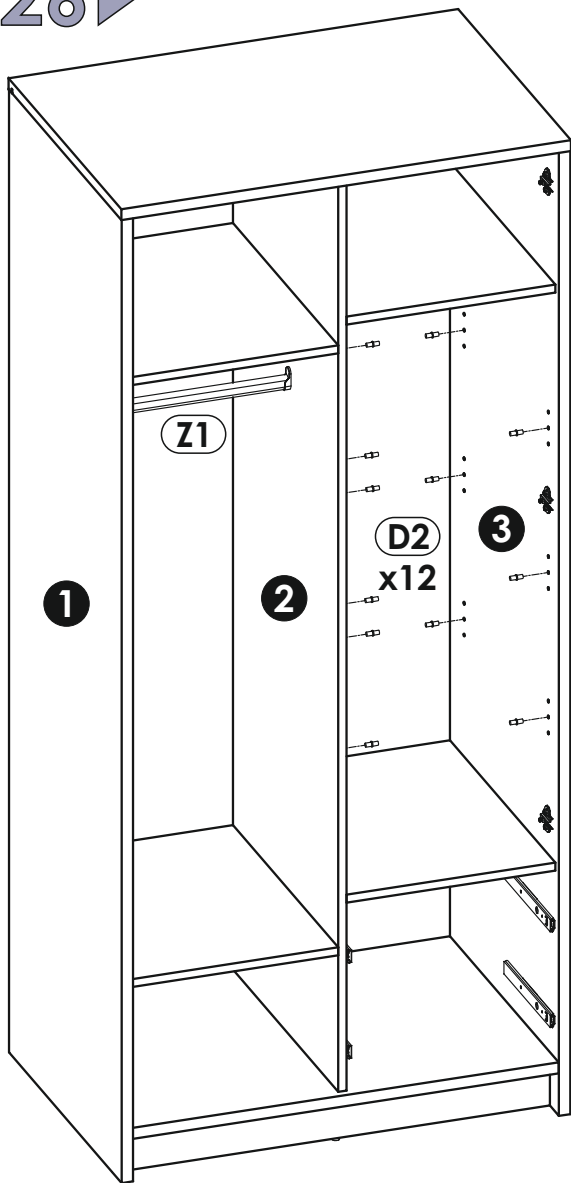
24 ▶



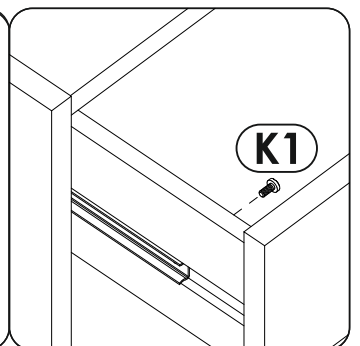
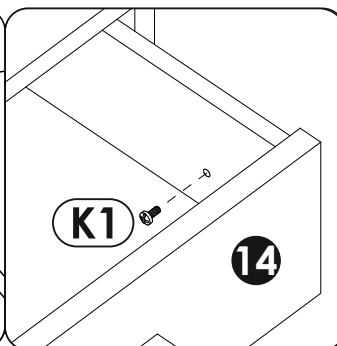
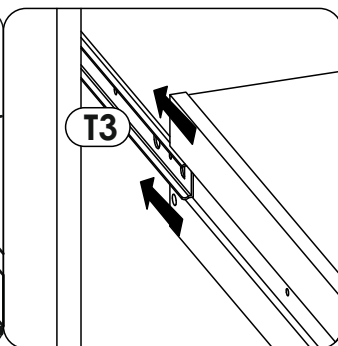
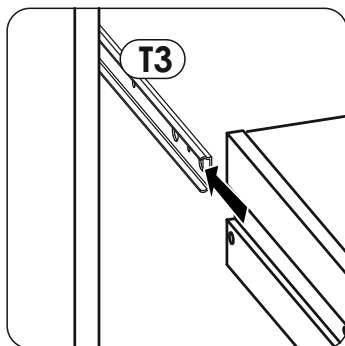
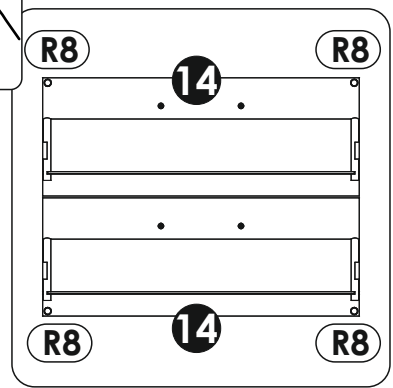
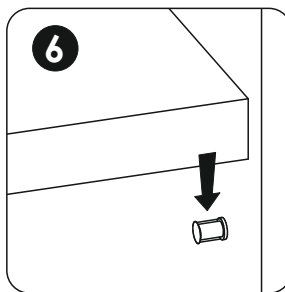
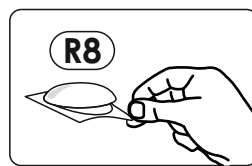
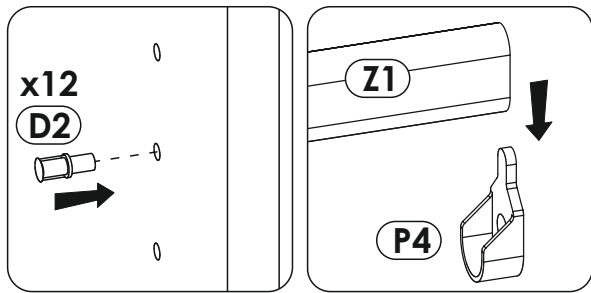
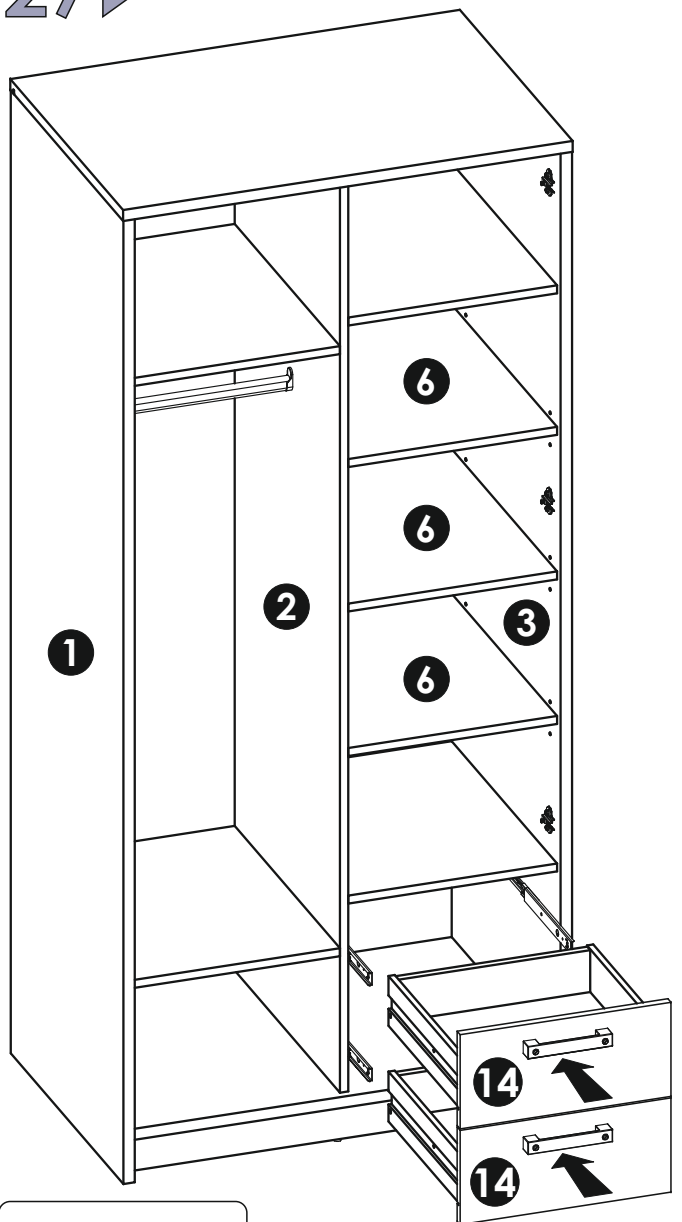
25 ▶



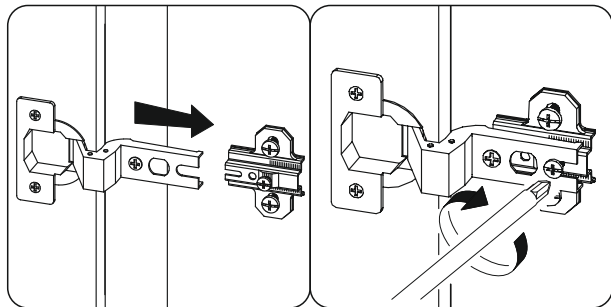
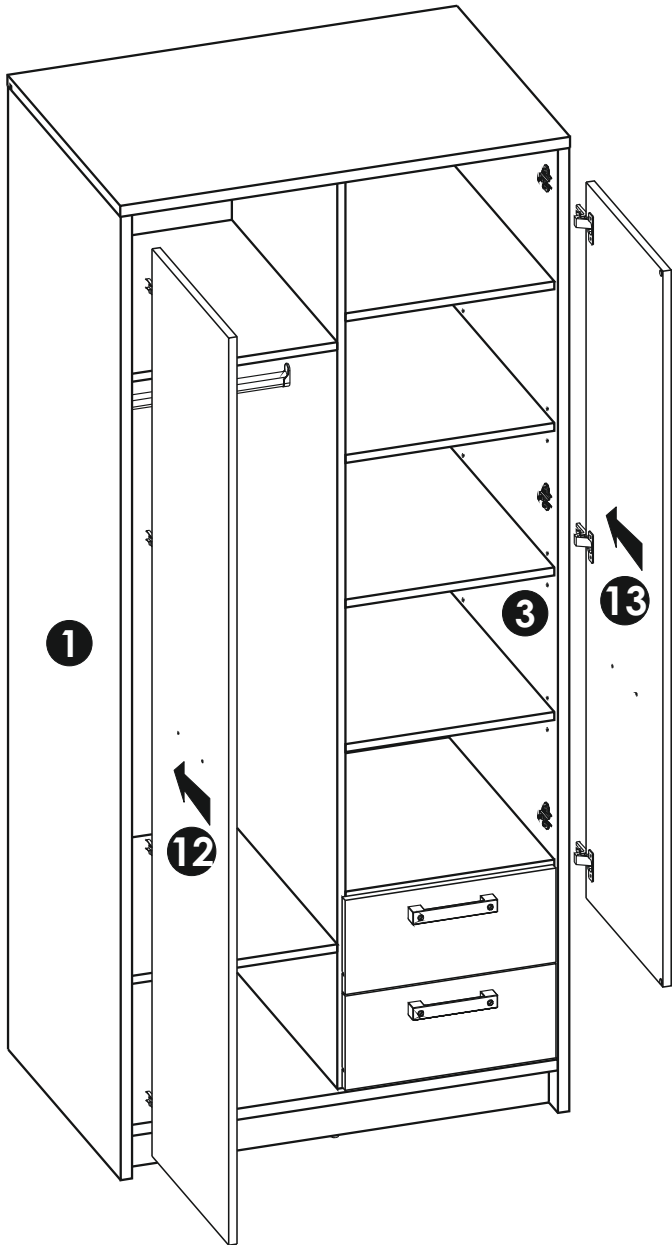
26 ▶



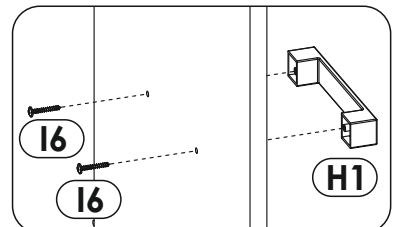
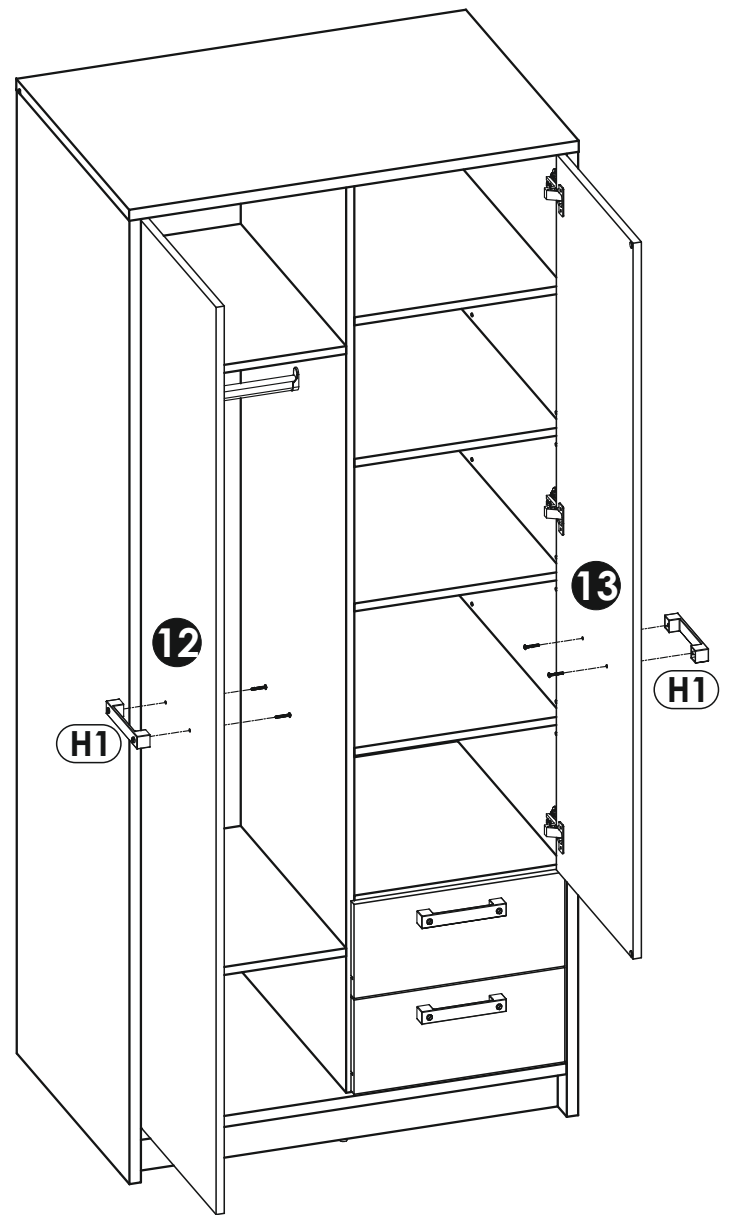
27 ▶

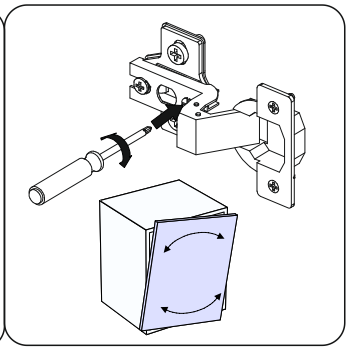
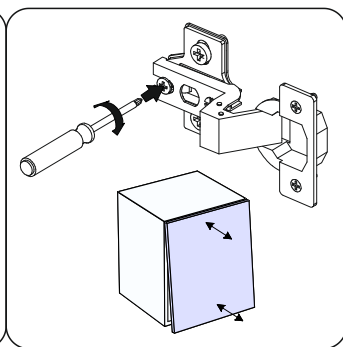
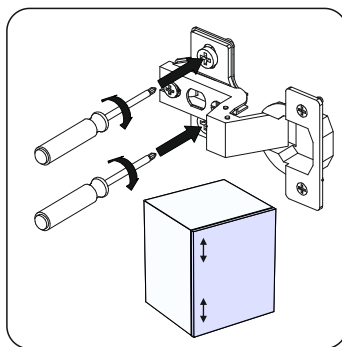
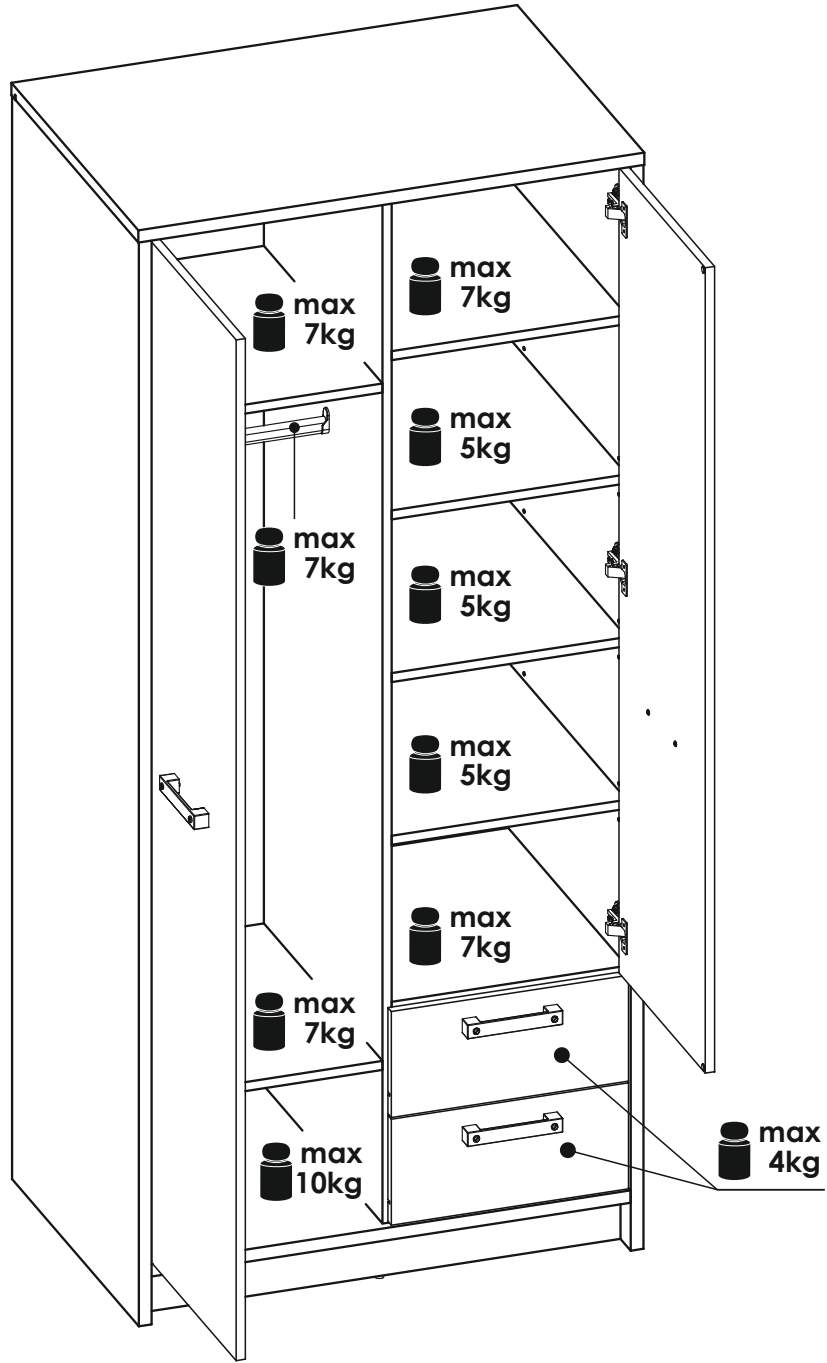


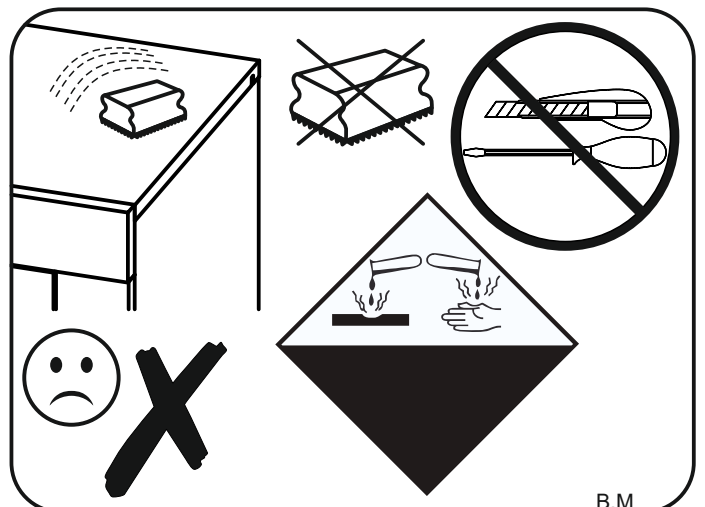
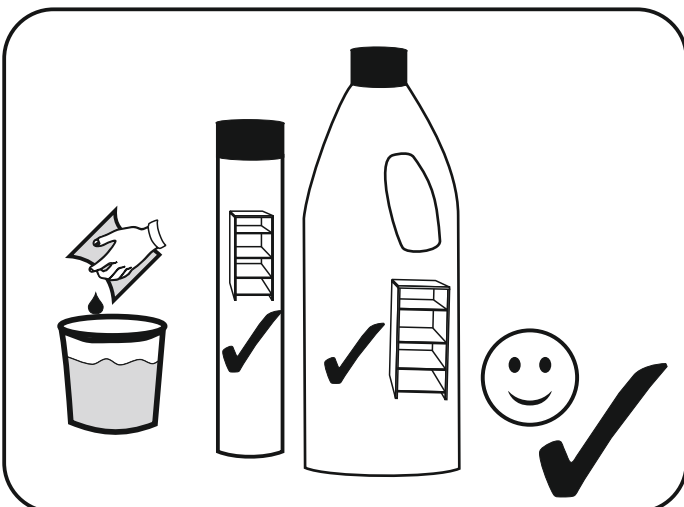
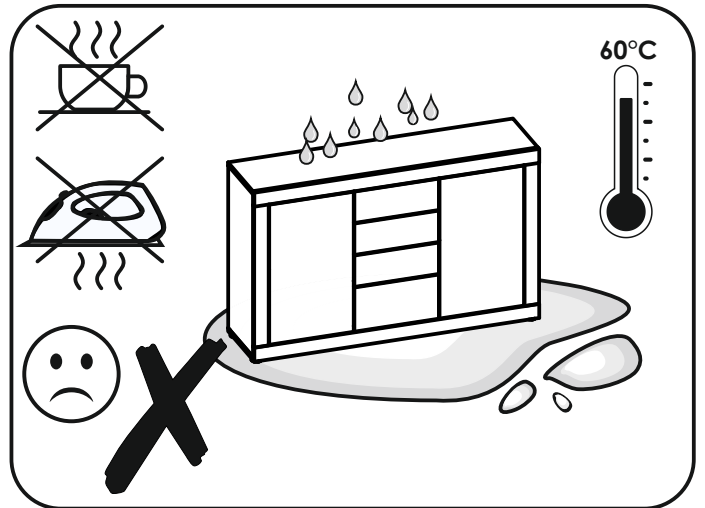
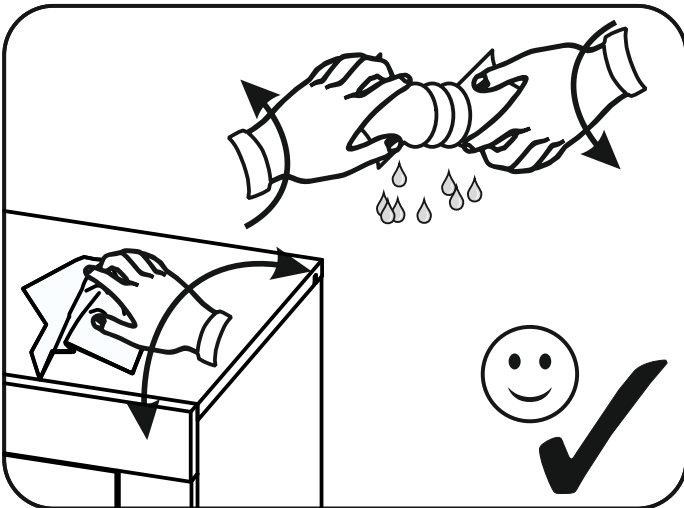
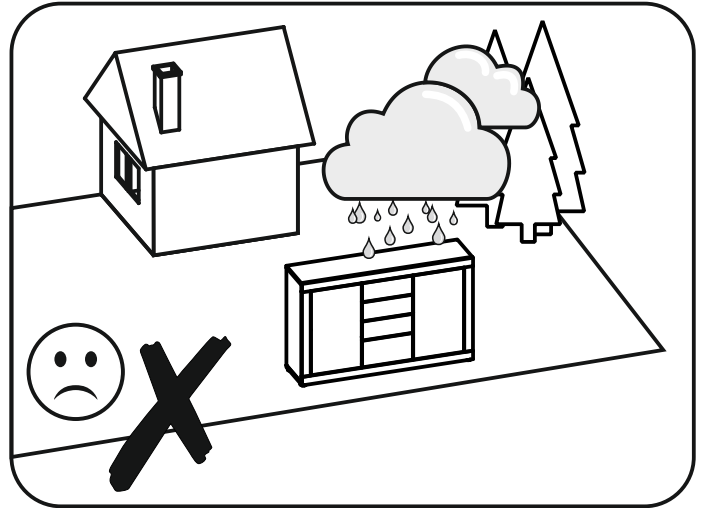
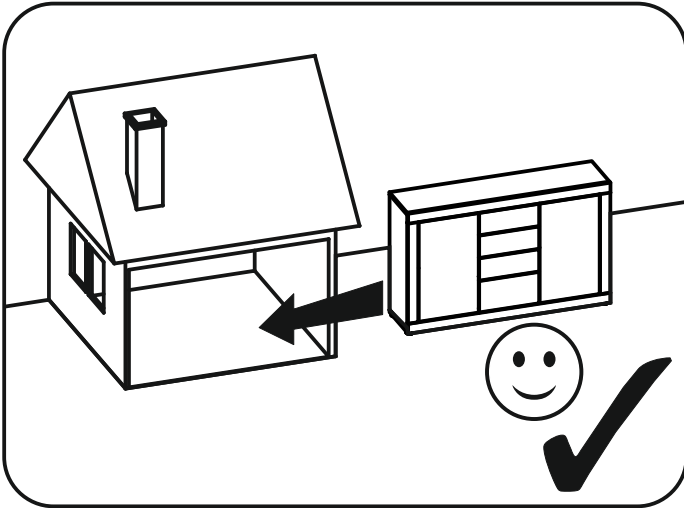
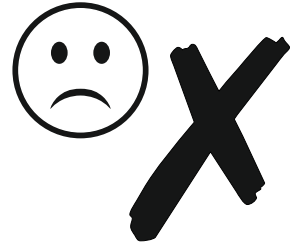
28 ▶



29 ▶







B.M