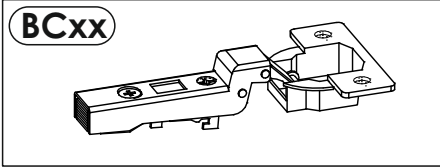
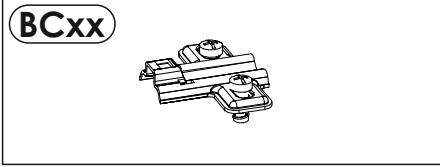
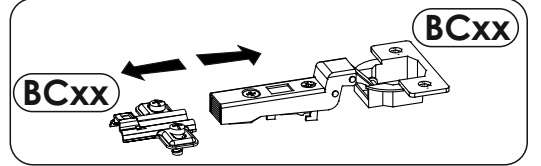
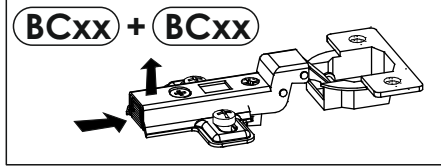




A



B



MM

260

250

240

230

220

210

200

190

180

170

160

150

140

130

120

110

100

90

80

70

60

50

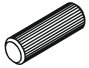


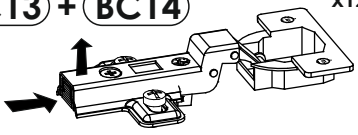
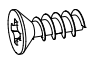
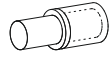
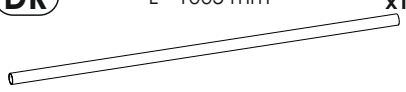

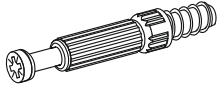
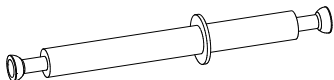
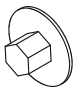
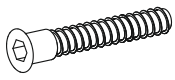
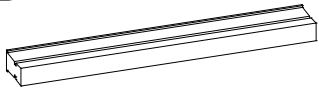
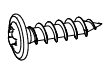

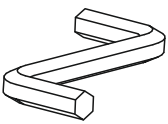




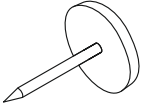
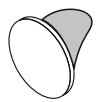
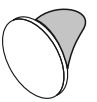
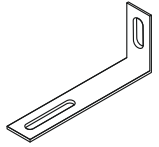
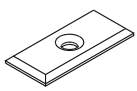
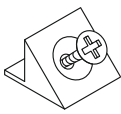
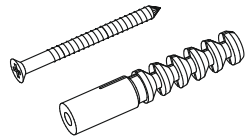
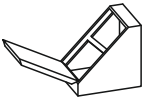
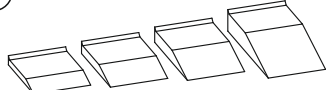

40

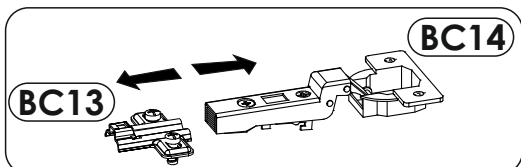
30

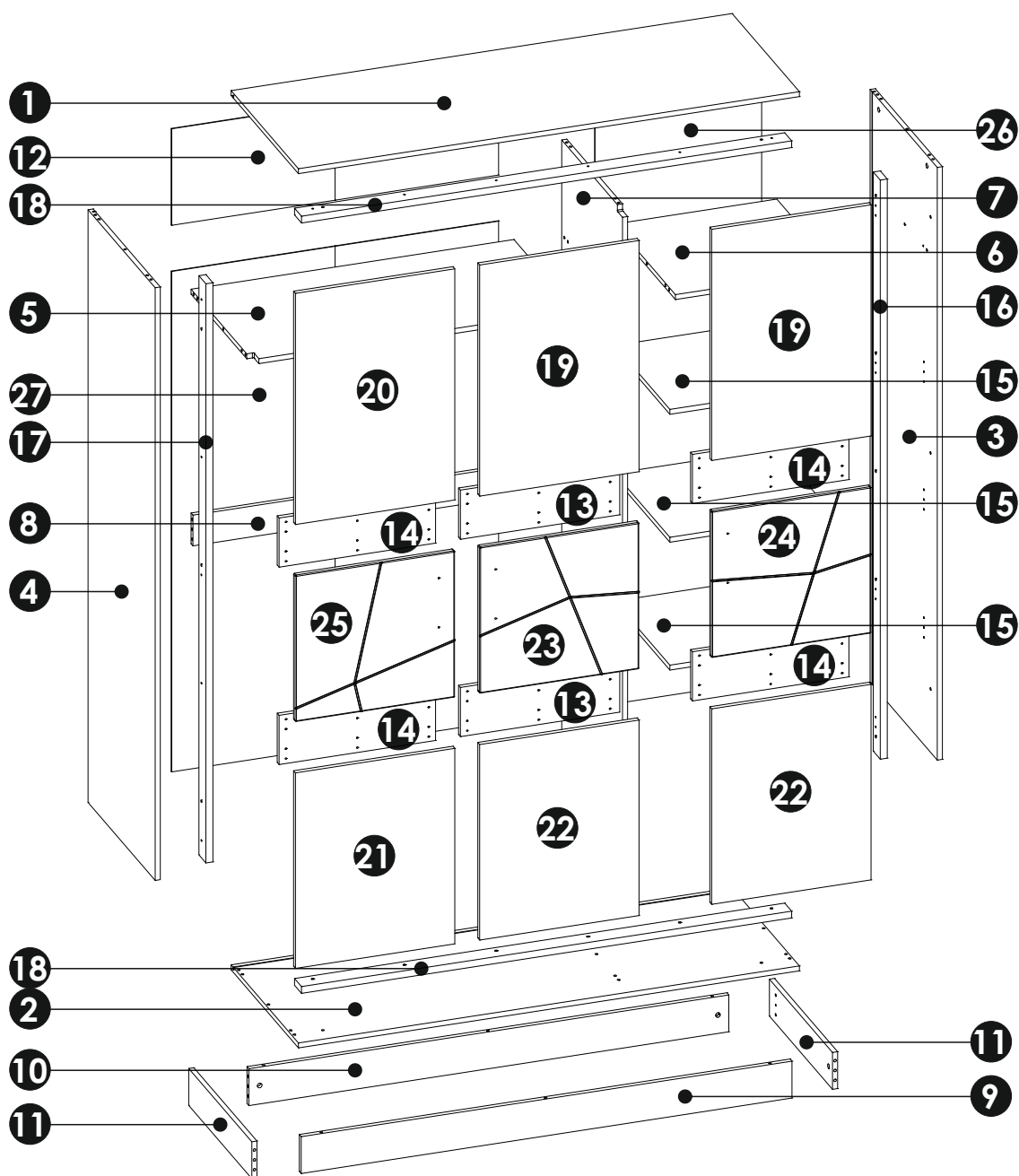
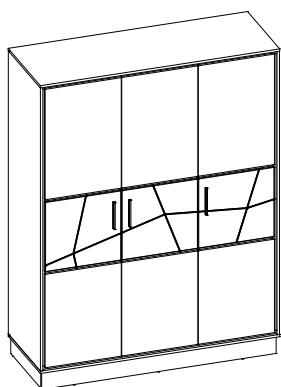
20

10

0

A1 8 x 35 mm x42 	A3 8 x 60 mm x3 	A6 8 x 24 mm x12 
BC13 + BC14 x12 	C2 5 x 13 mm x24 	D2 x12 
DR L - 1005 mm x1 	E1 15 x 12 mm x20 	F1 6 x 34 mm x16 
F6 7 x 82 mm x2 	G0 x4 	G1 7 x 50 mm x6 
H1 L - 180 mm x3  L-180 mm	I2 4 x 16 mm x2 	I4 3,5 x 27 mm x6 
M x1 	N1 3 x 16 mm x25 	N5 3,5 x 16 mm x26 
N13 4 x 25 mm x72 	N15 4 x 35 mm x22 	O2 x10 
P16 x94  Ø14	P17 x14  Ø20	Q9 x2 
R1 x20 	R4 x18 	S13 x2  Ø8
W x10 	Z x1 	Z1 x2 

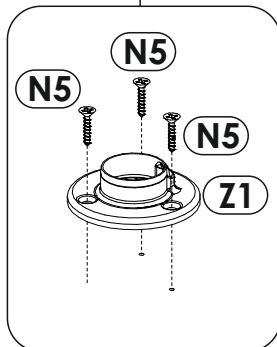
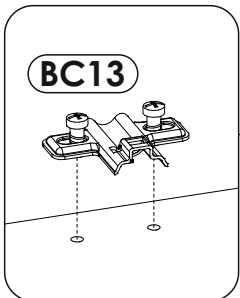
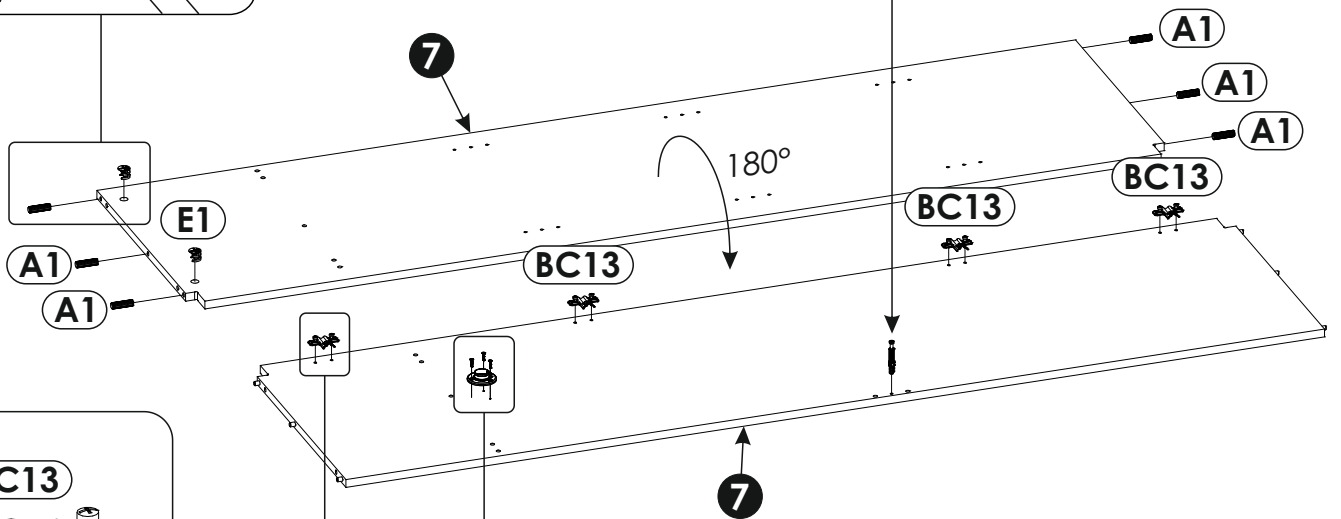
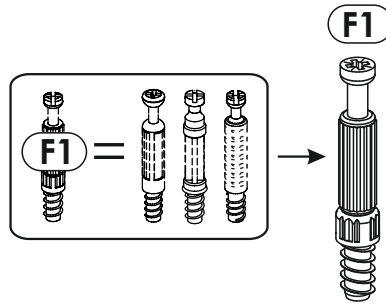
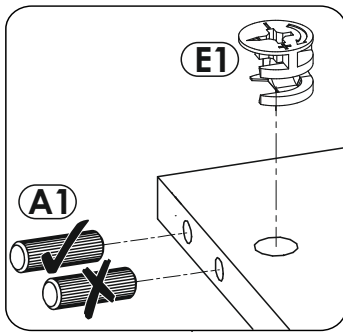
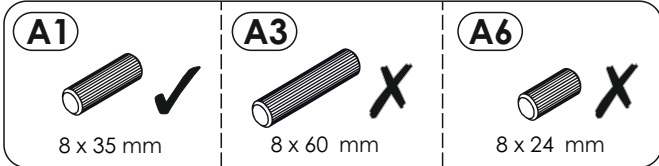
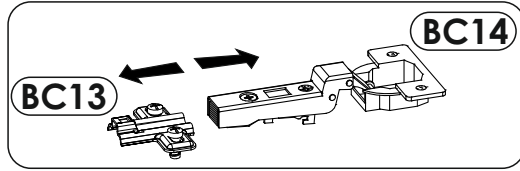
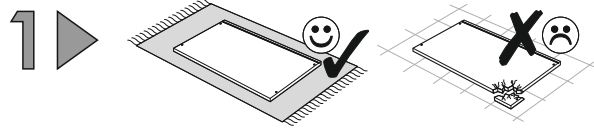
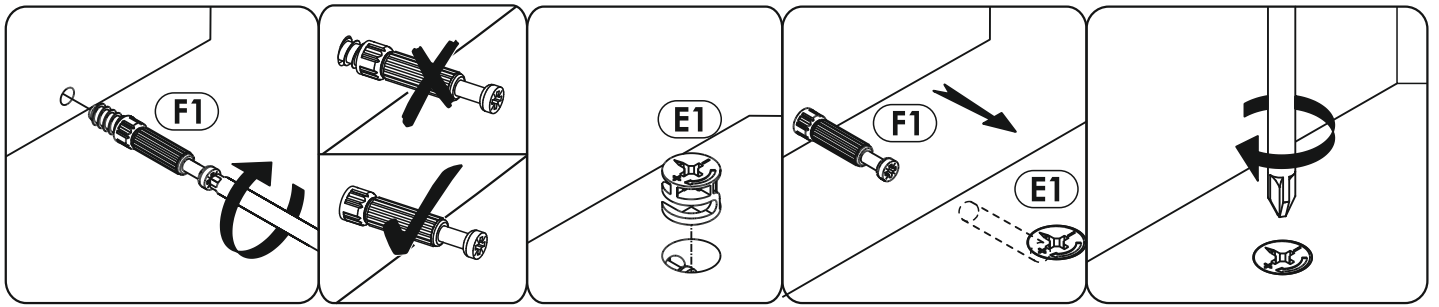




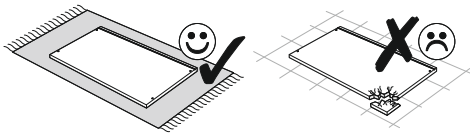
1	1572	580	16	x1	4/5
2	1572	580	16	x1	4/5
3	1928	579	16	x1	5/5
4	1928	579	16	x1	5/5
5	1013	524	16	x1	3/5
6	509	524	16	x1	3/5
7	1928	524	16	x1	3/5
8	1013	100	16	x1	4/5
9	1540	120	16	x1	4/5


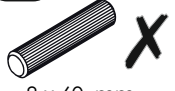

10	1506	120	16	x1	4/5
11	544	120	16	x1	4/5
12	314	1026	3	x1	5/5
13	500	160	16	x2	3/5
14	491	160	16	x4	1/5
15	508	475	16	x3	1/5
16	1884	60	22	x1	3/5
17	1884	60	22	x1	3/5
18	1538	60	22	x2	3/5

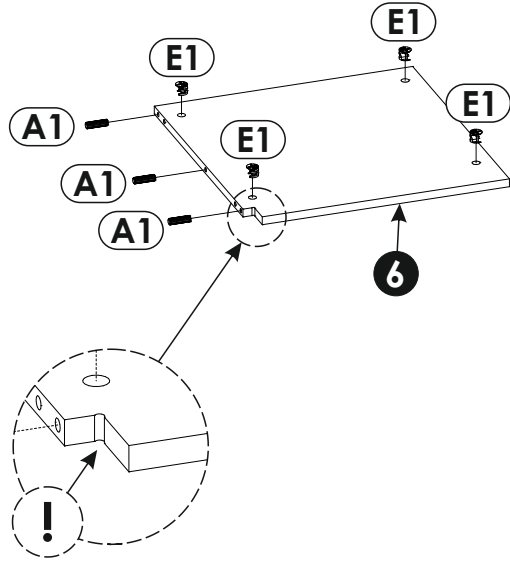
19	500	752	16	x2	2/5
20	500	752	16	x1	2/5
21	500	636	16	x1	2/5
22	500	636	16	x2	2/5
23	476	500	16	x1	1/5
24	476	500	16	x1	1/5
25	476	500	16	x1	1/5
26	1942	523	3	x1	5/5
27	1628	1026	3	x1	5/5



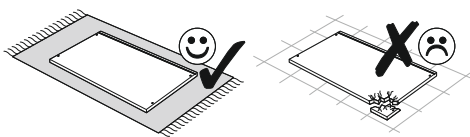
2 ▶






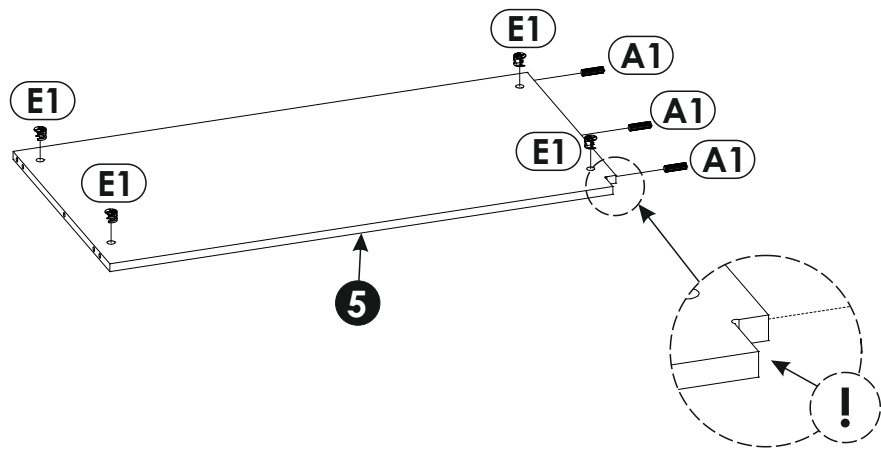
<p>A1</p>  <p>8 x 35 mm</p>	<p>A3</p>  <p>8 x 60 mm</p>	<p>A6</p>  <p>8 x 24 mm</p>
---	---	---

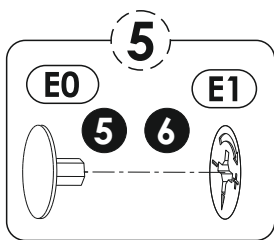
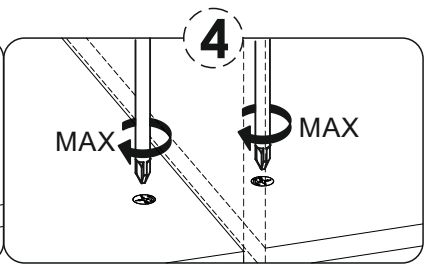
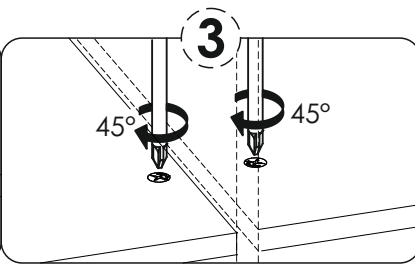
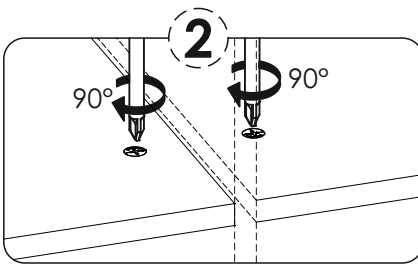
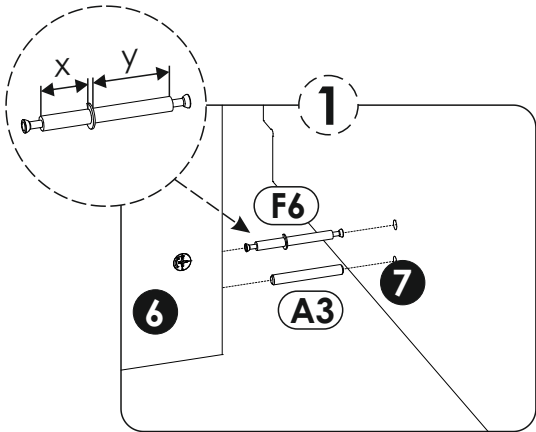
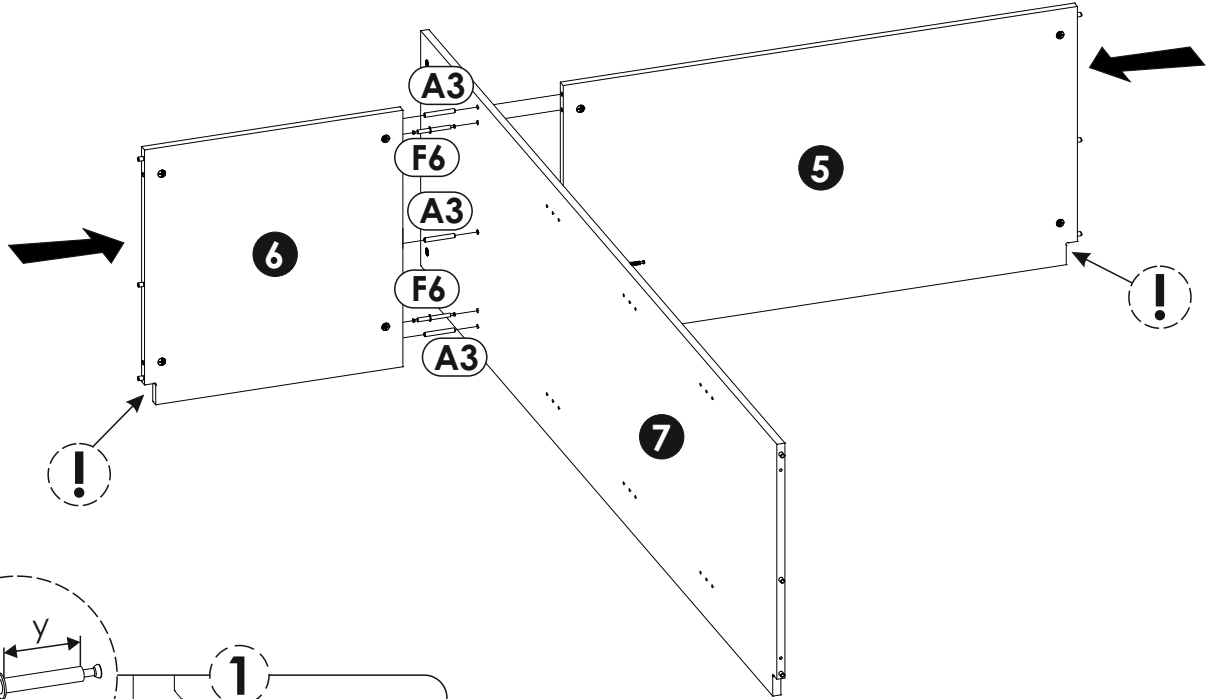
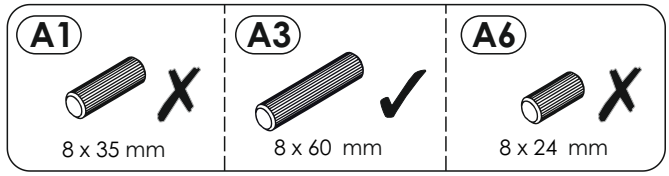
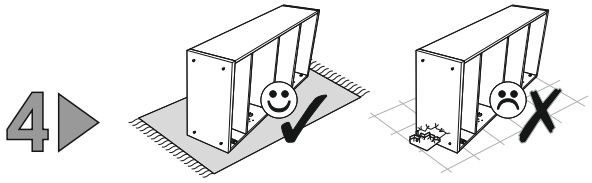


3 ▶

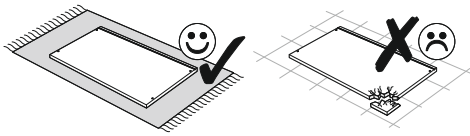


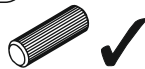
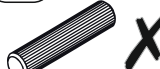

<p>A1</p>  <p>8 x 35 mm</p>	<p>A3</p>  <p>8 x 60 mm</p>	<p>A6</p>  <p>8 x 24 mm</p>
---	---	---

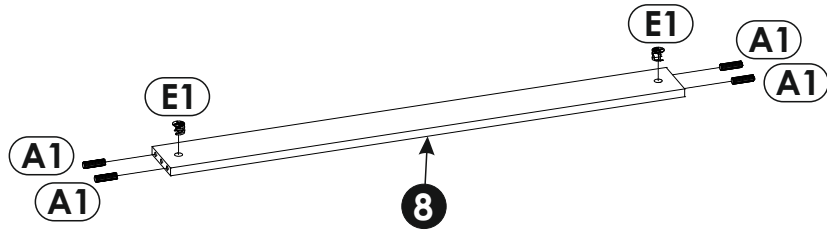




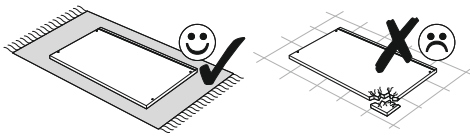
5 ▶

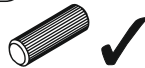
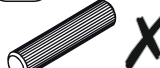



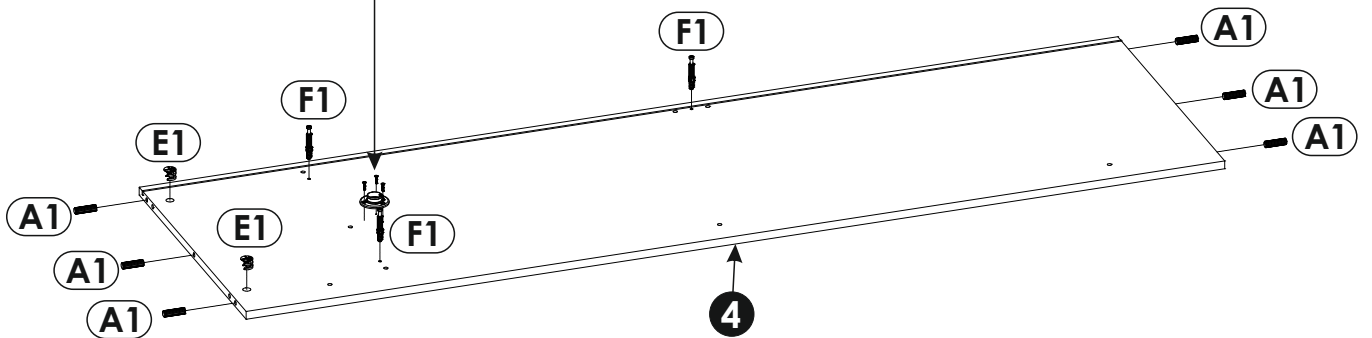
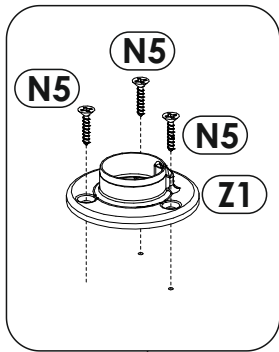
<p>A1</p>  <p>8 x 35 mm</p>	<p>A3</p>  <p>8 x 60 mm</p>	<p>A6</p>  <p>8 x 24 mm</p>
---	---	---



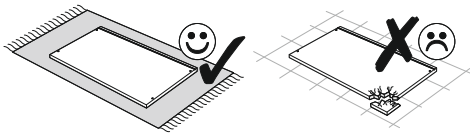
6 ▶

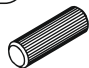
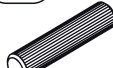



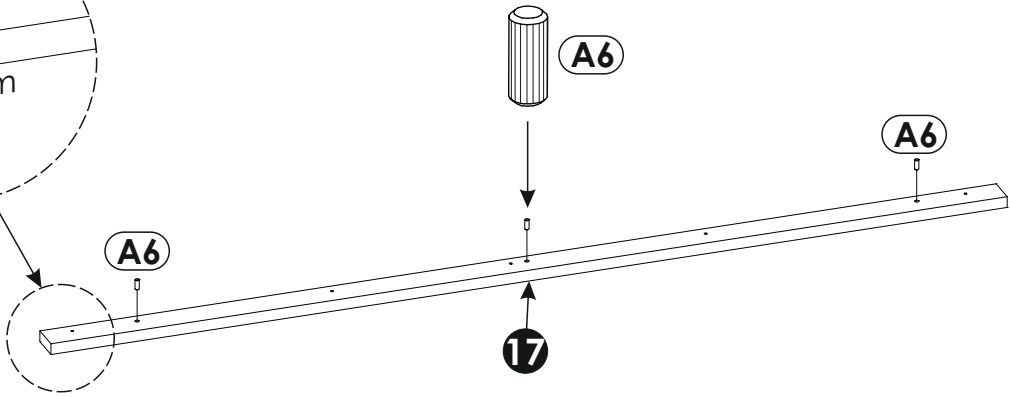
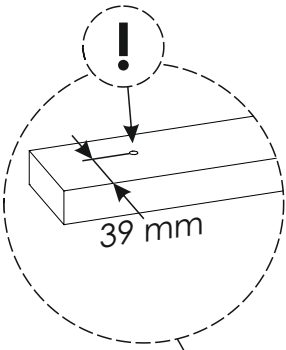
<p>A1</p>  <p>8 x 35 mm</p>	<p>A3</p>  <p>8 x 60 mm</p>	<p>A6</p>  <p>8 x 24 mm</p>
---	--	---



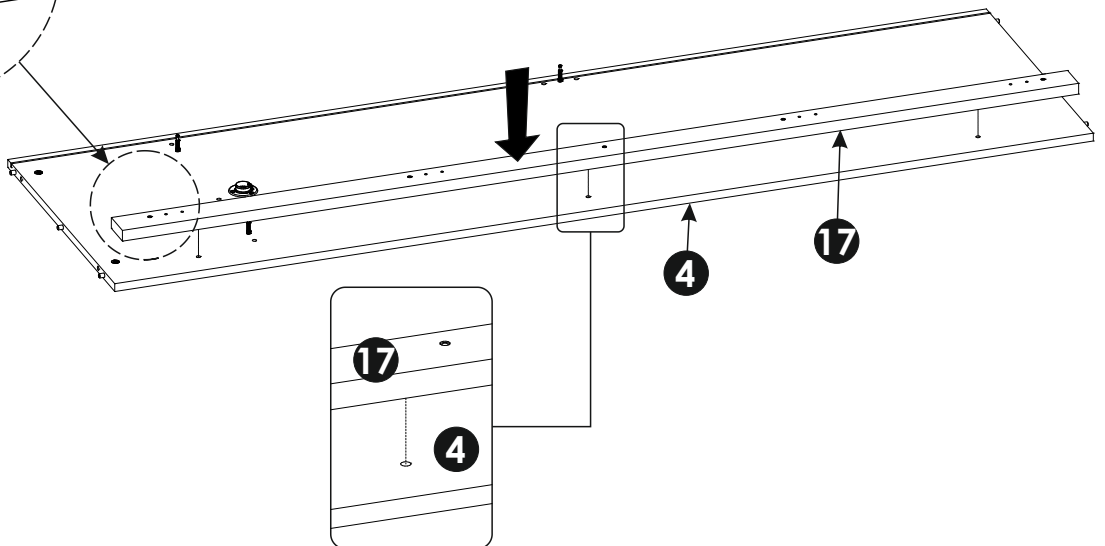
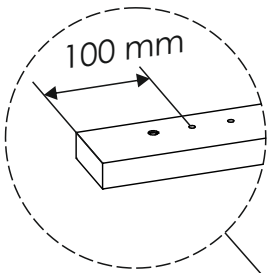
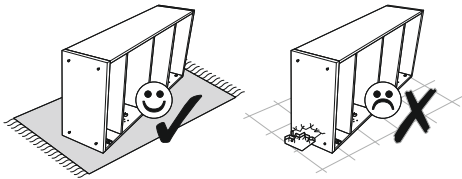
7 ▶

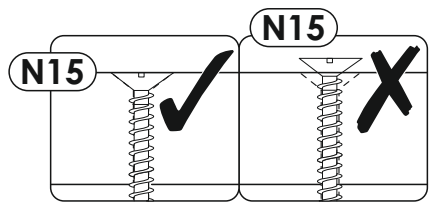
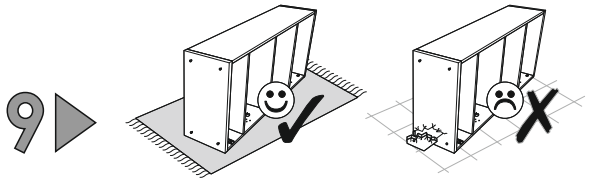


<p>A1</p>  <p>8 x 35 mm</p>	<p>A3</p>  <p>8 x 60 mm</p>	<p>A6</p>  <p>8 x 24 mm</p>
---	---	---



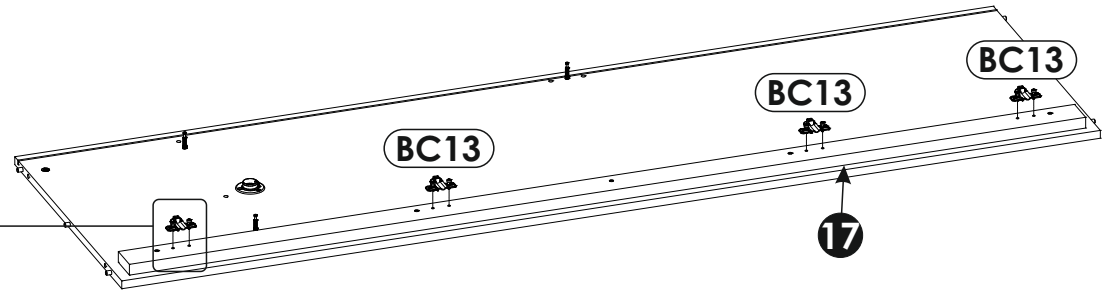
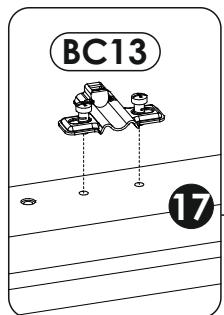
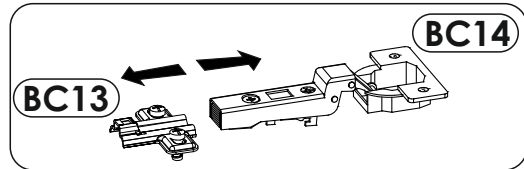
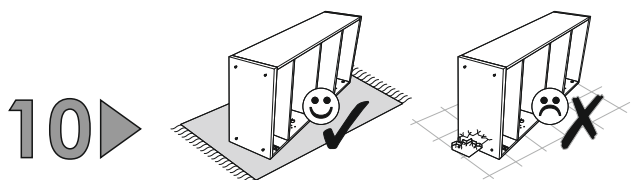
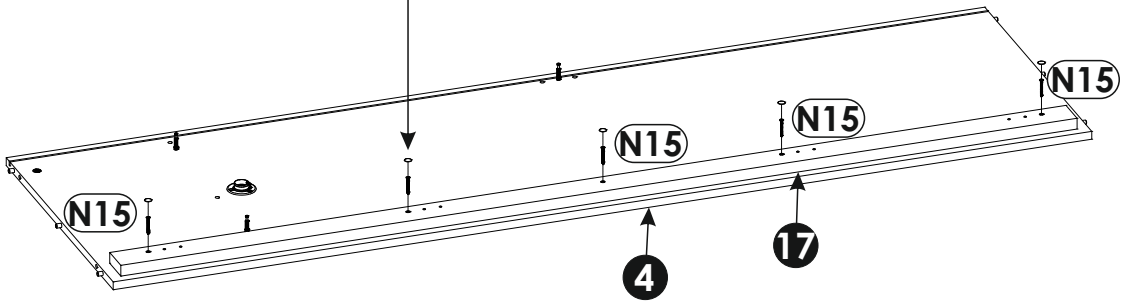
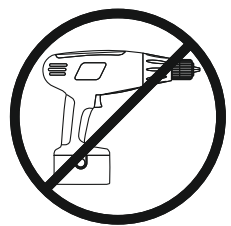
8 ▶



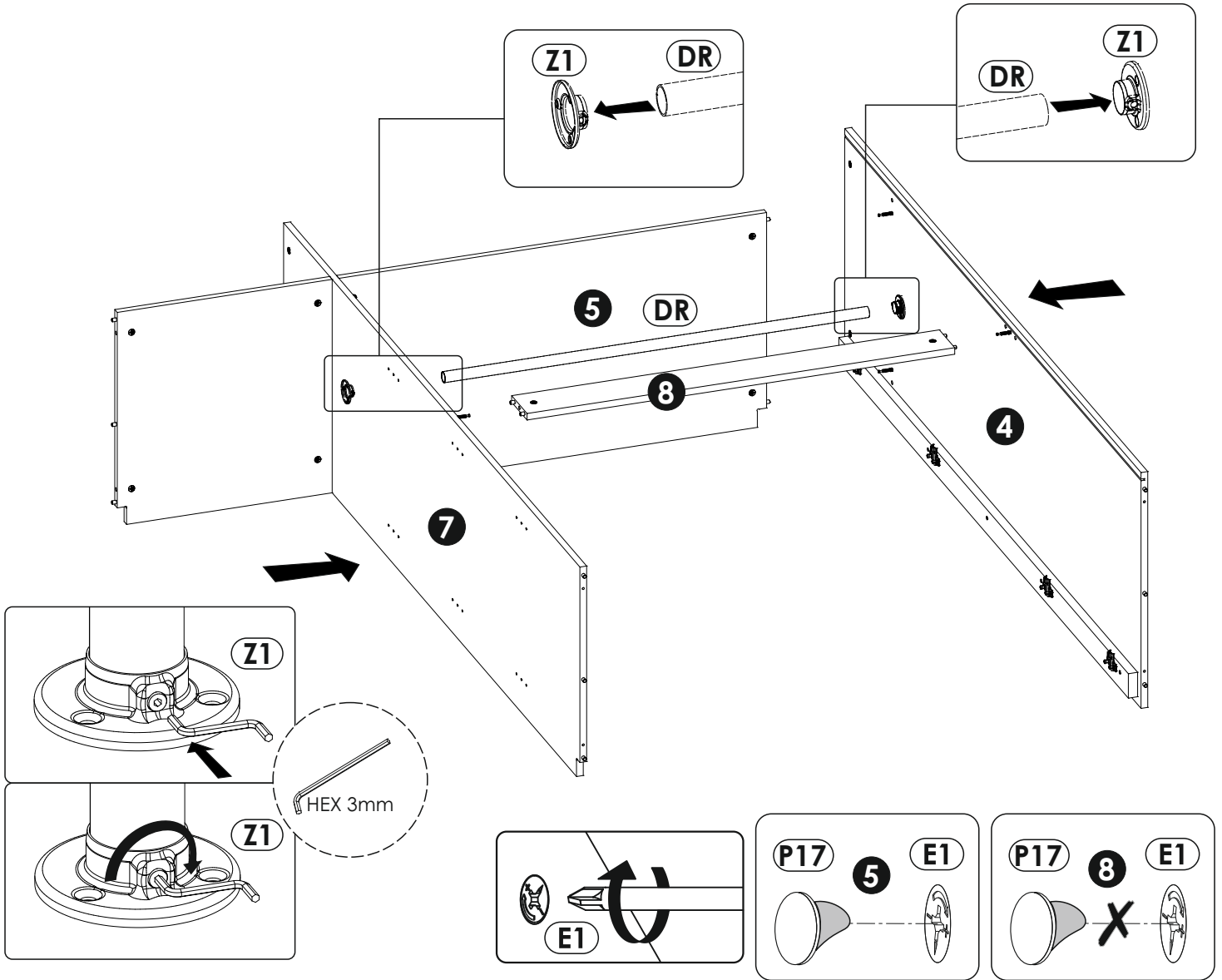
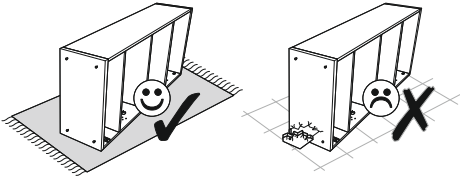


P16

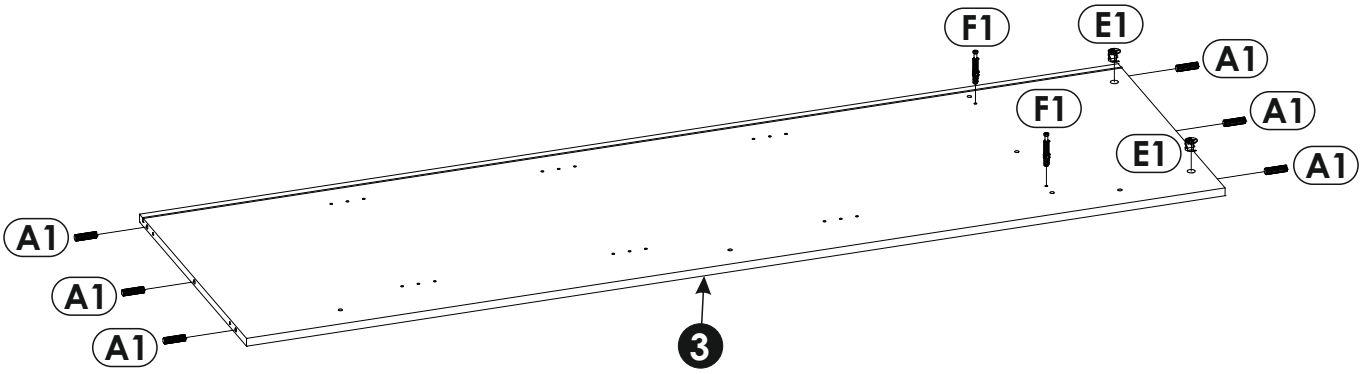
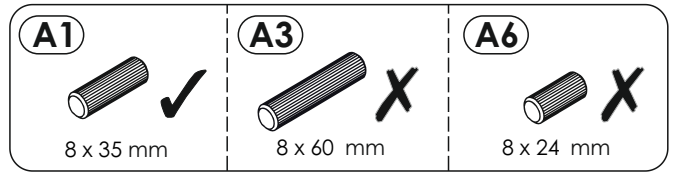
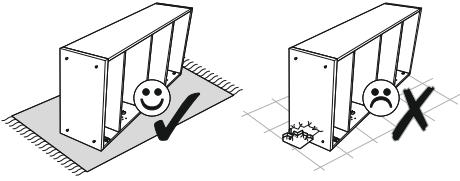
N15



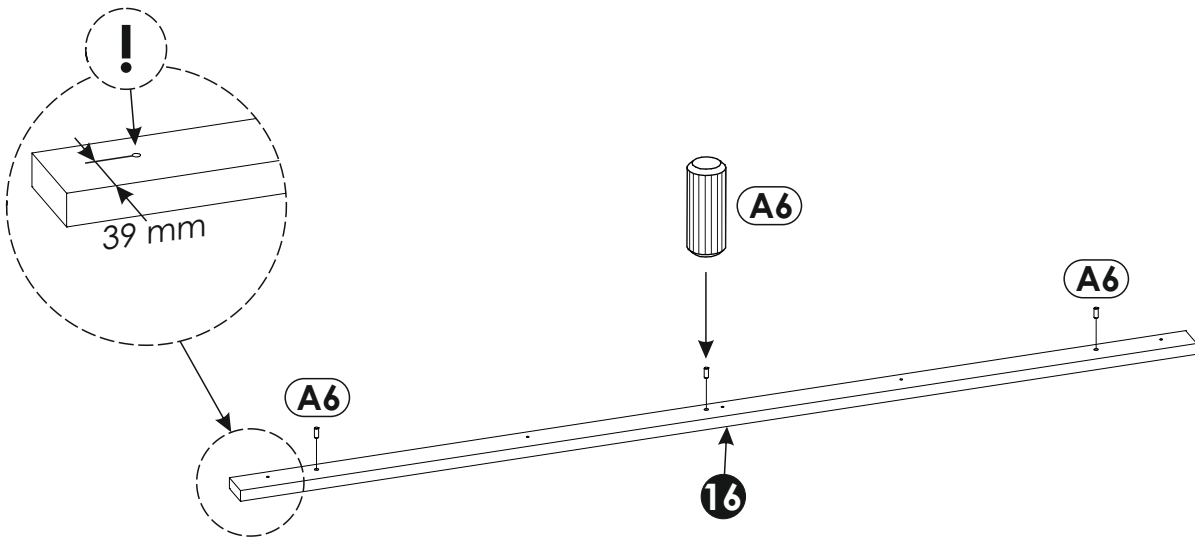
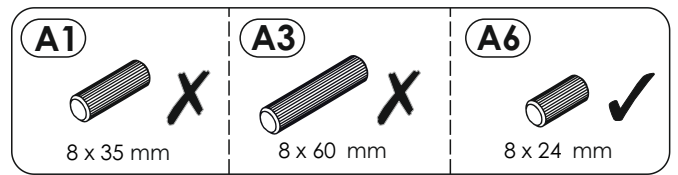
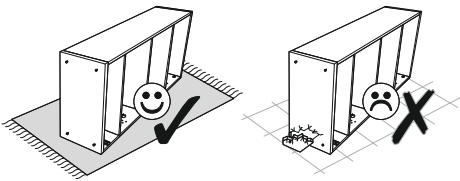
11 ▶

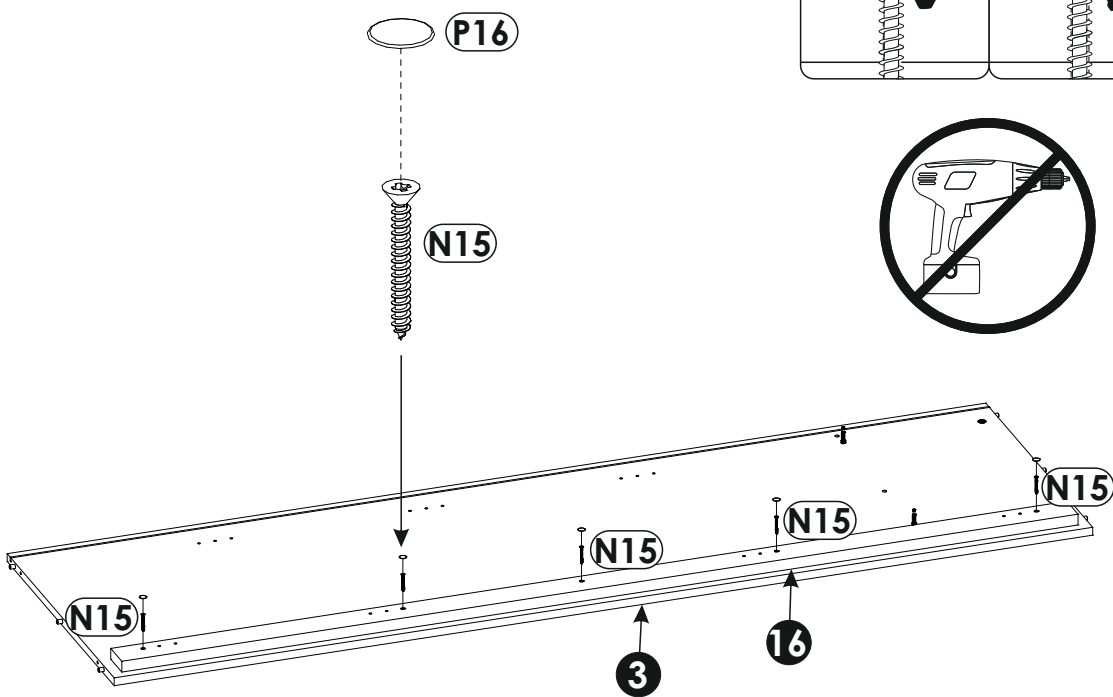
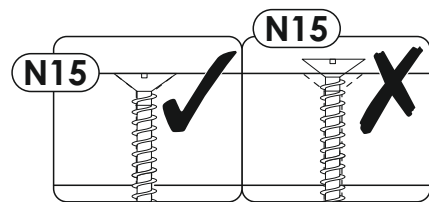
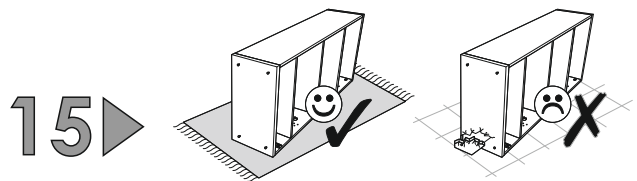
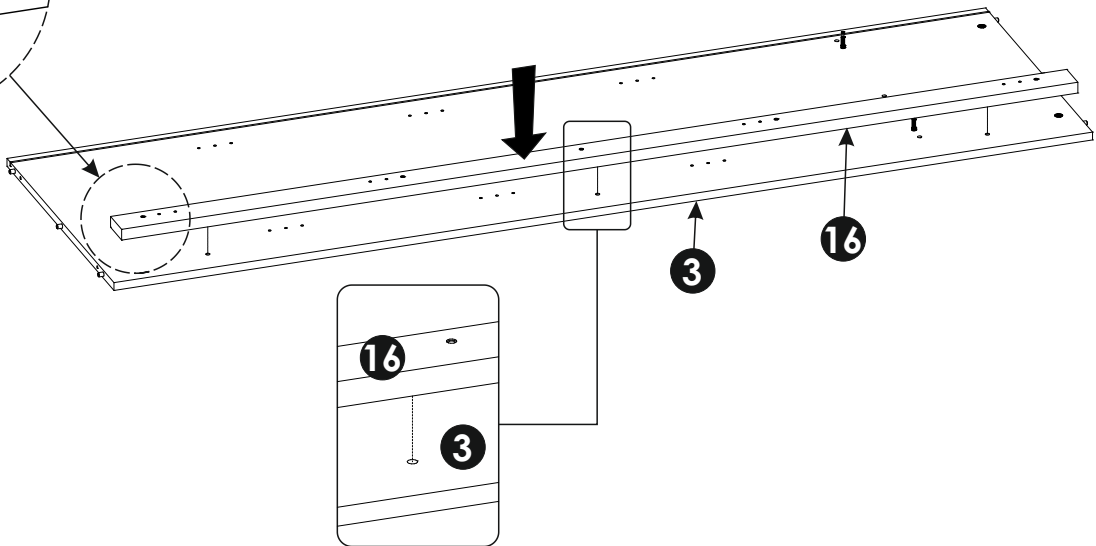
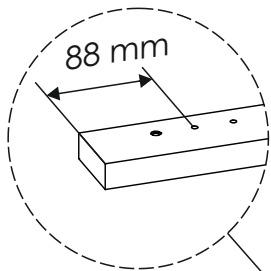
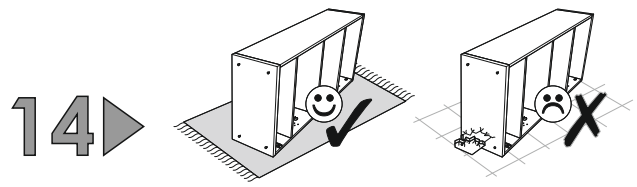


12 ▶

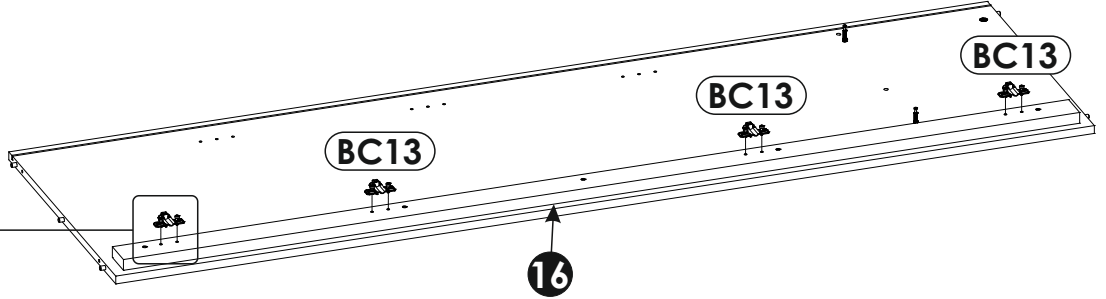
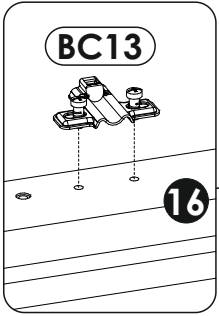
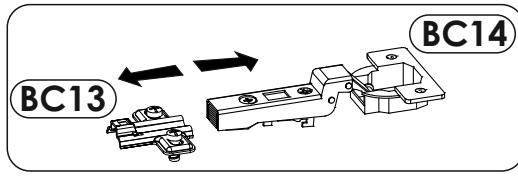
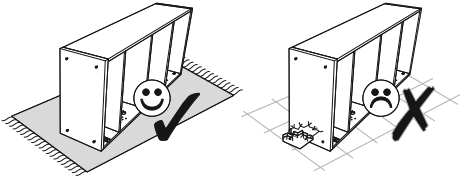


13 ▶

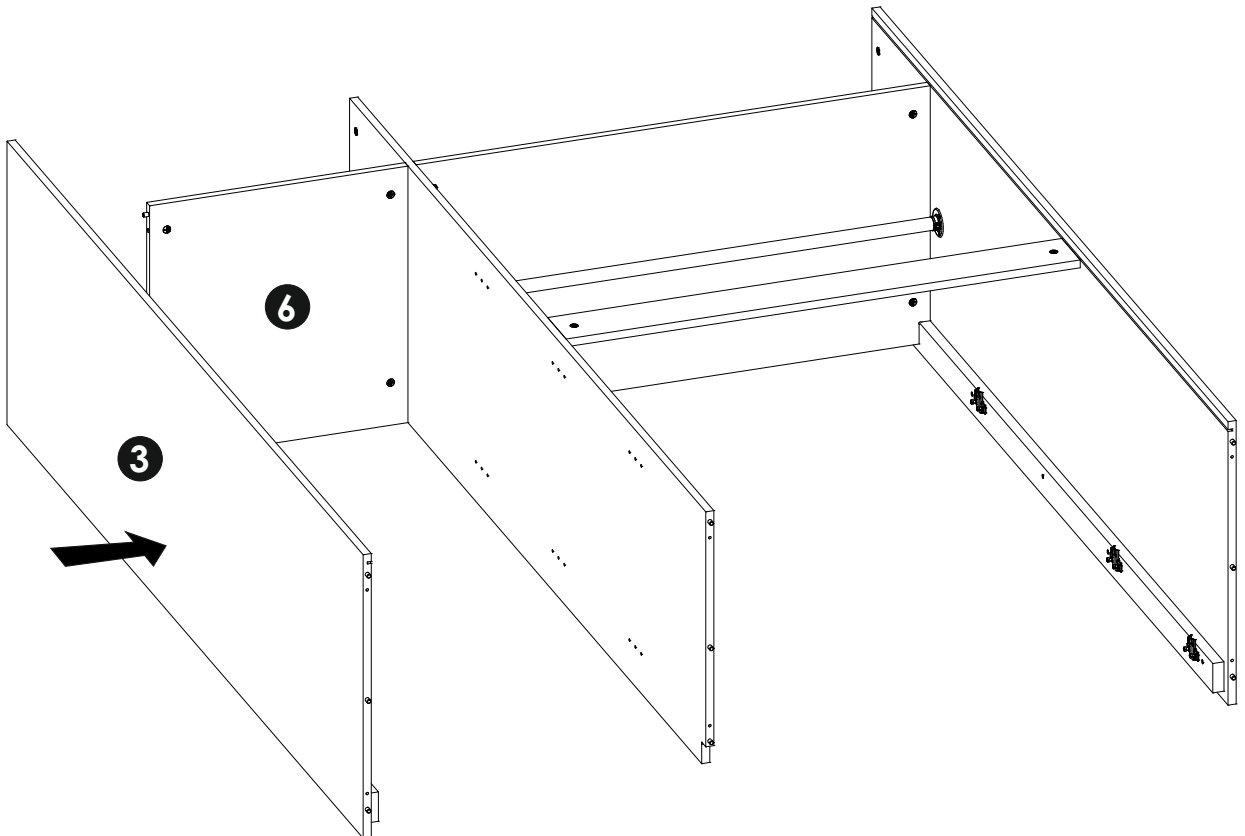
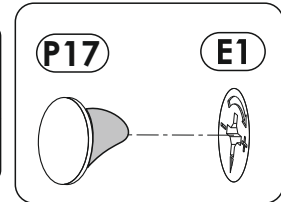
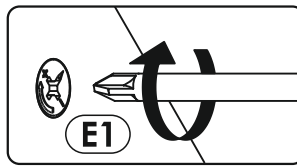
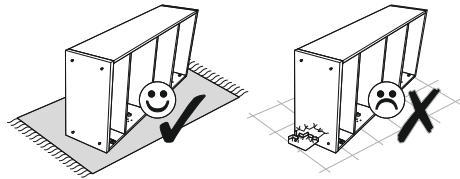




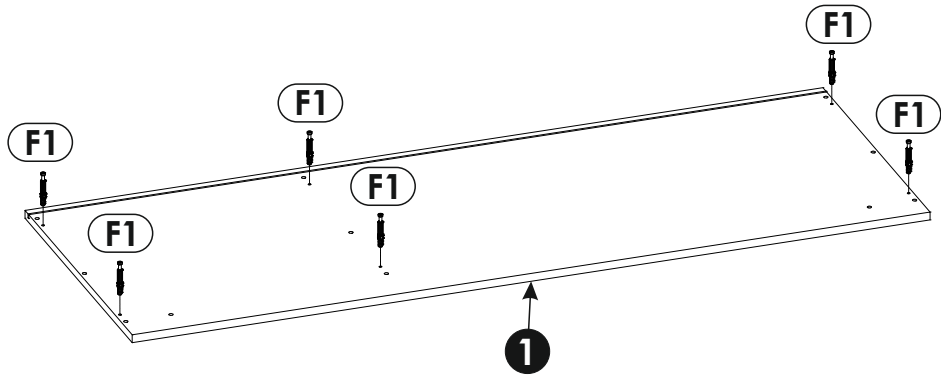
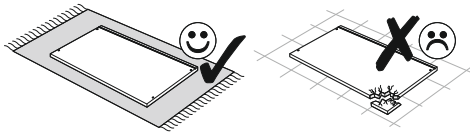
16 ▶



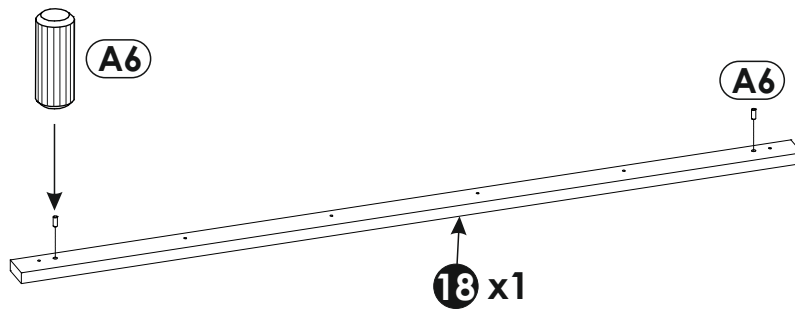
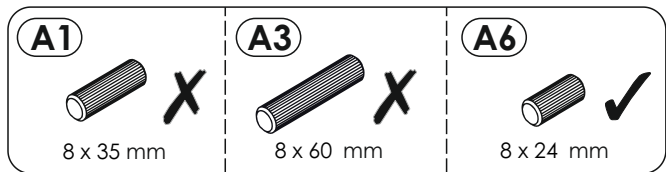
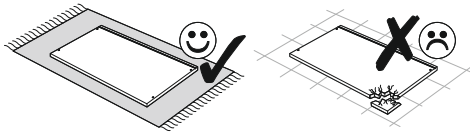
17 ▶



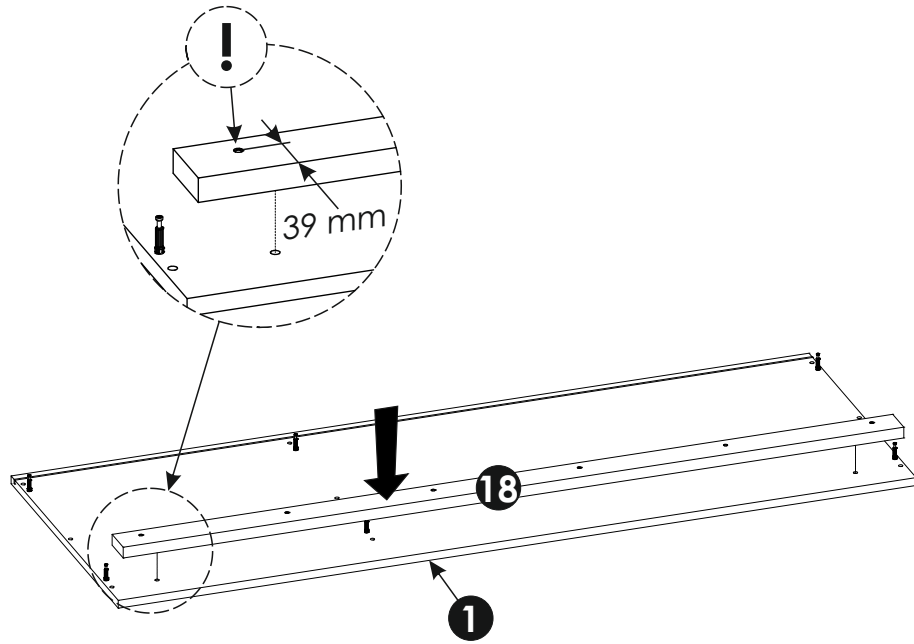
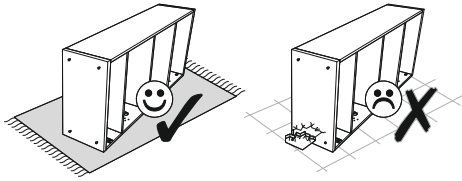
18▶



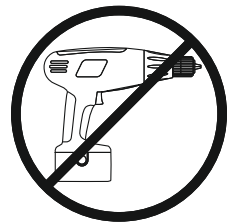
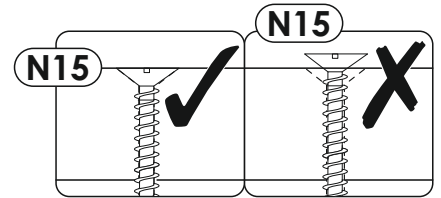
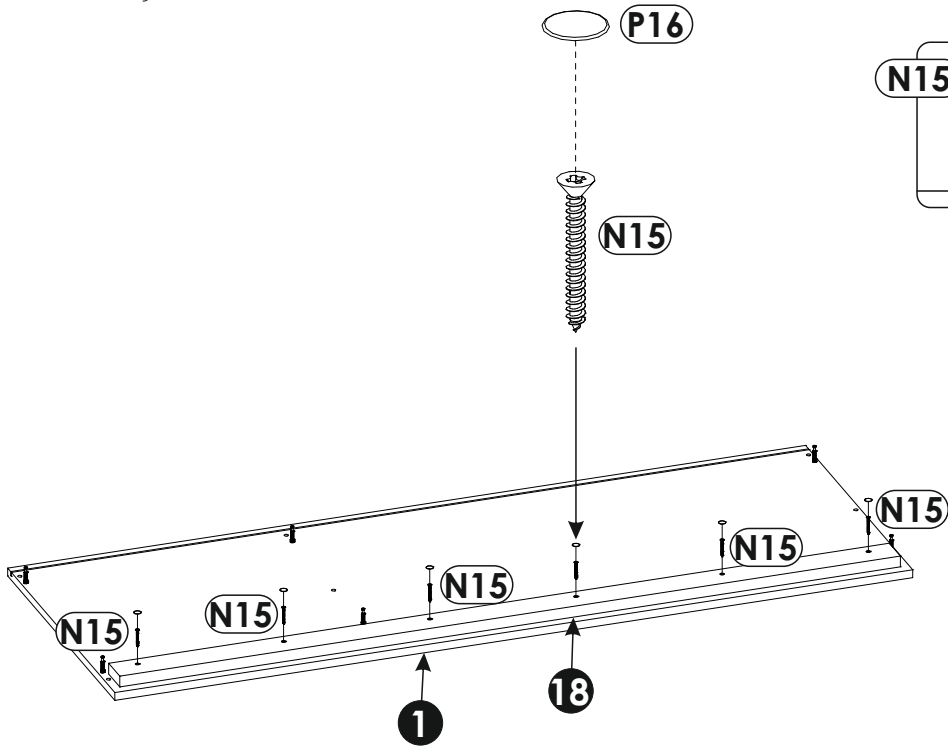
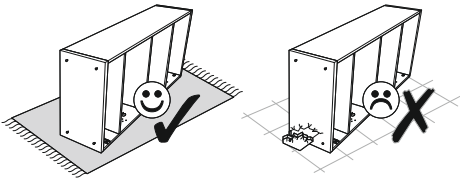
19▶



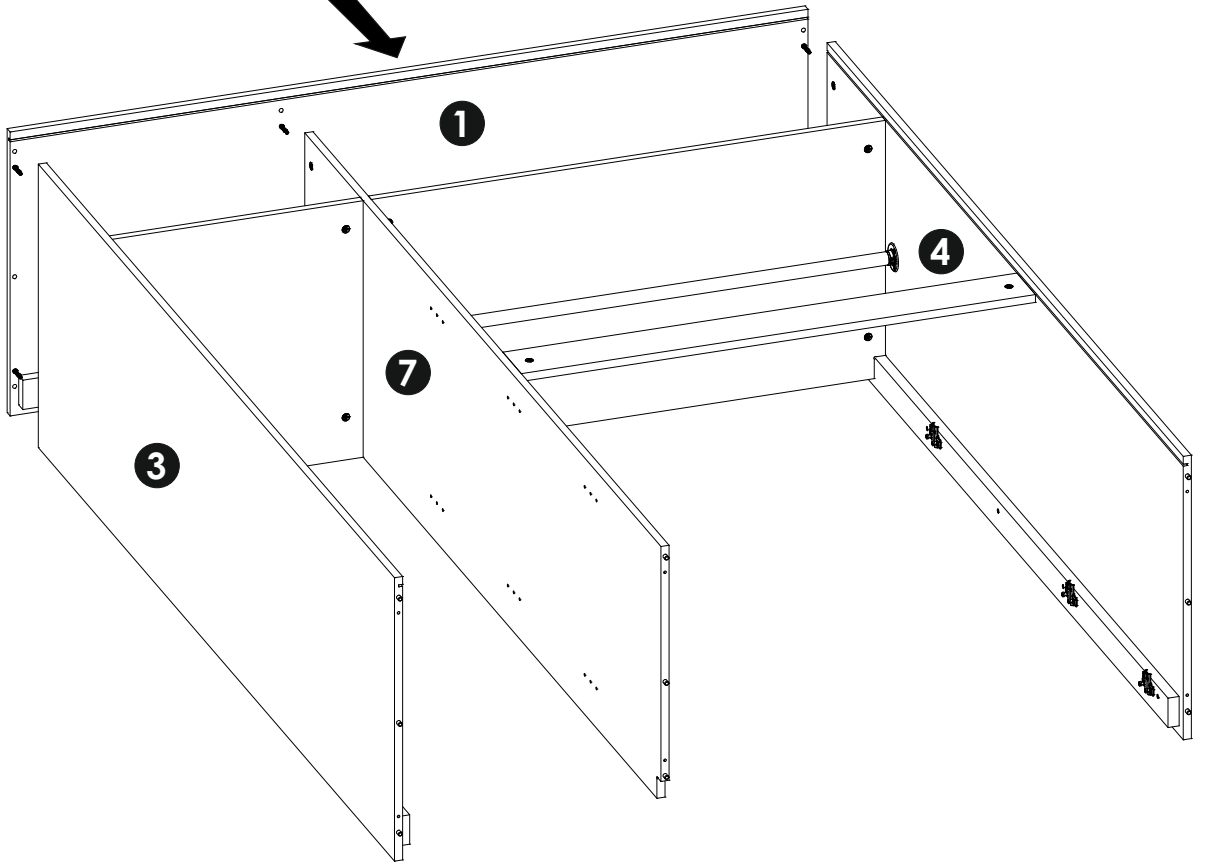
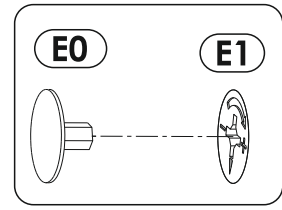
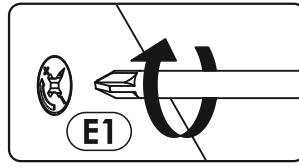
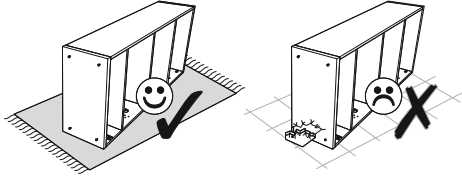
20 ▶



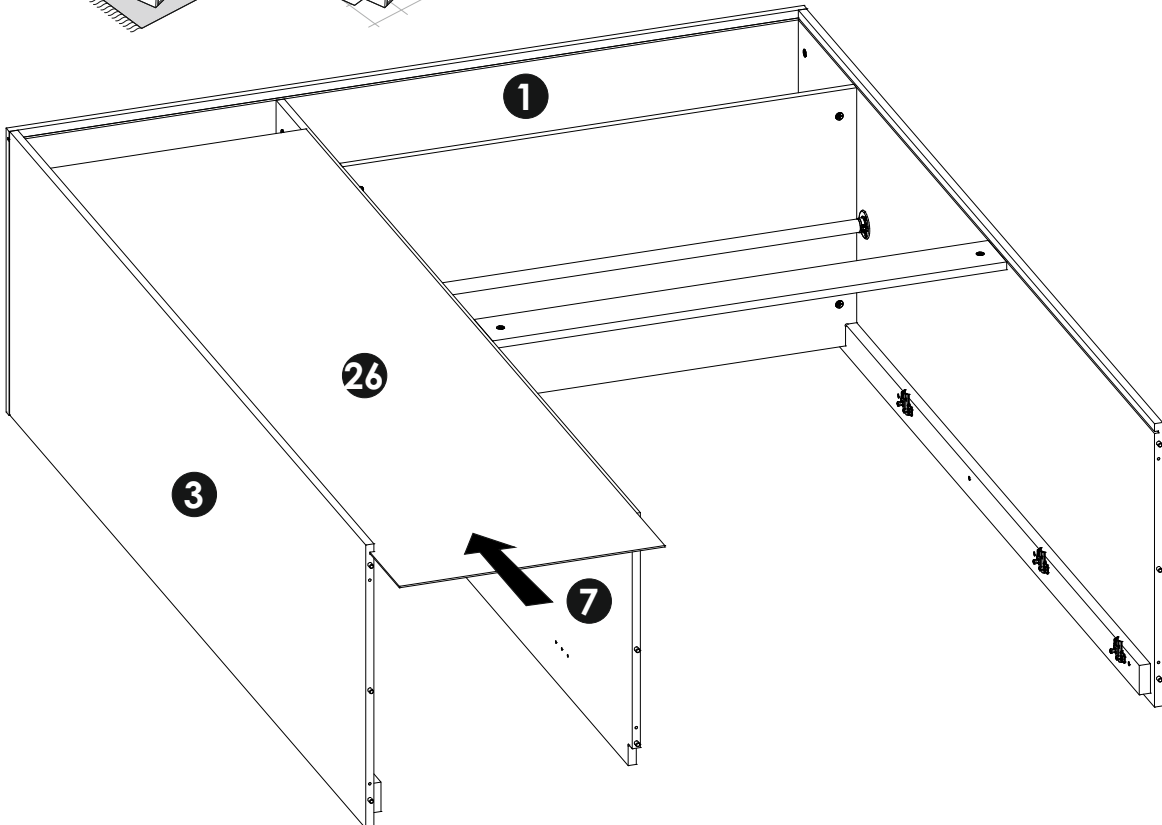
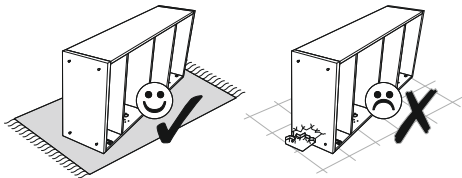
21 ▶



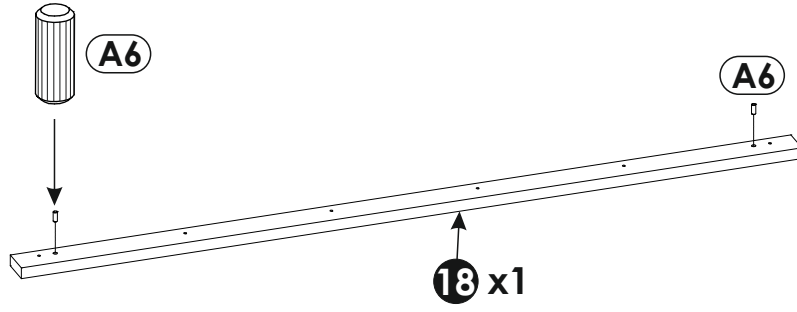
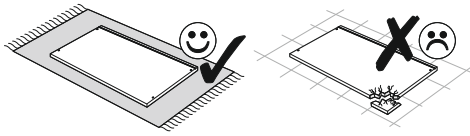
22 ▶



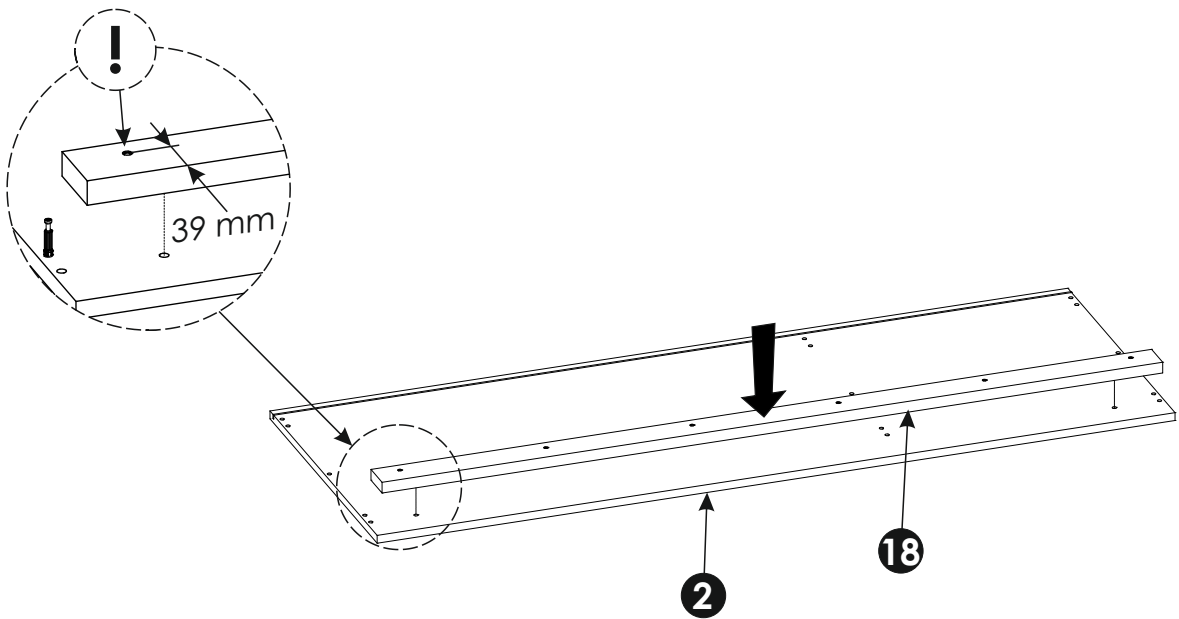
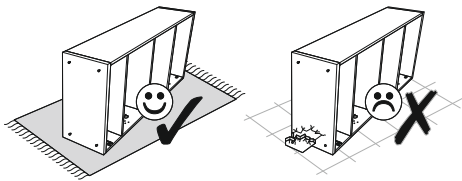
23 ▶



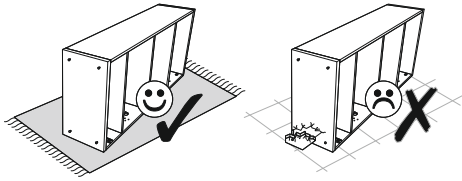
24▶



25▶

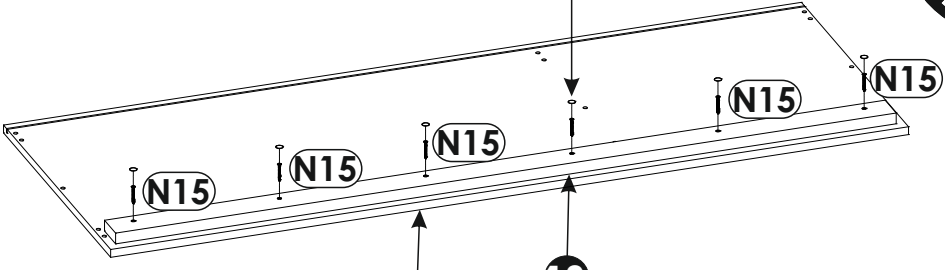
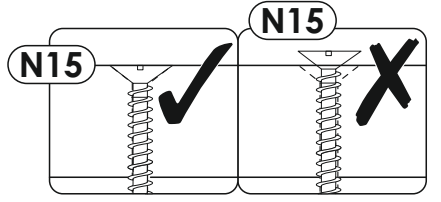


26 ▶

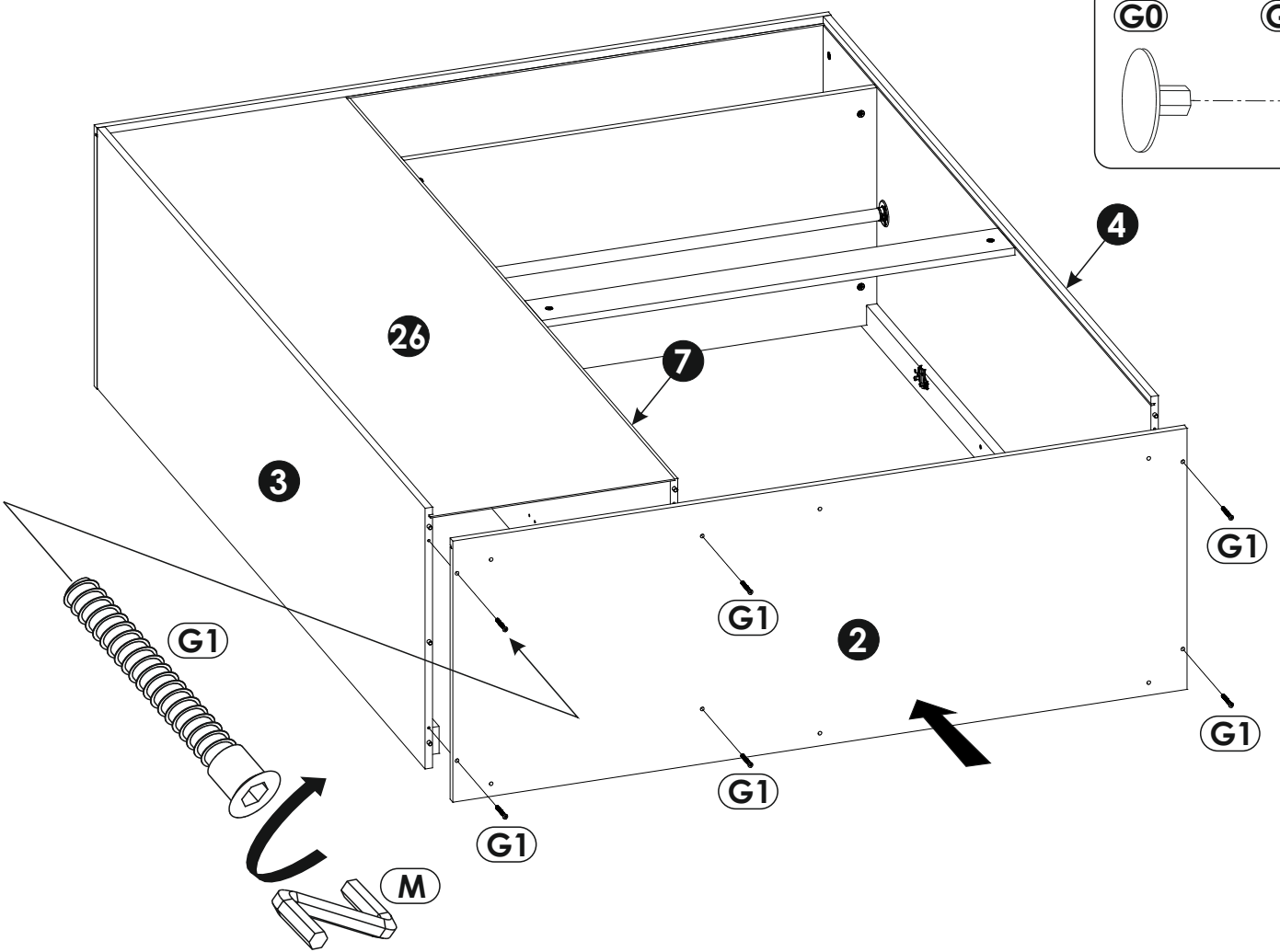
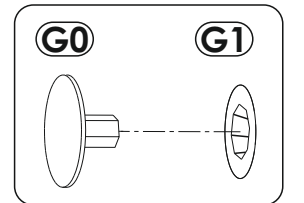
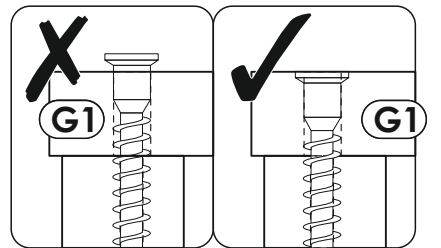
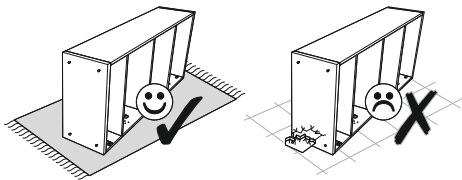


P16

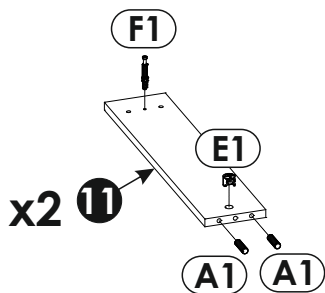
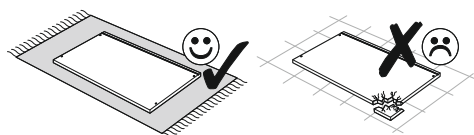
N15



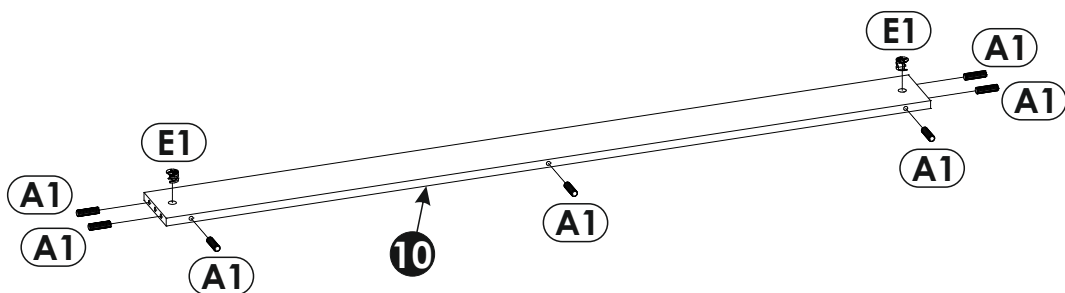
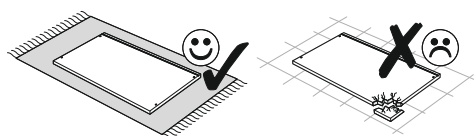
27 ▶



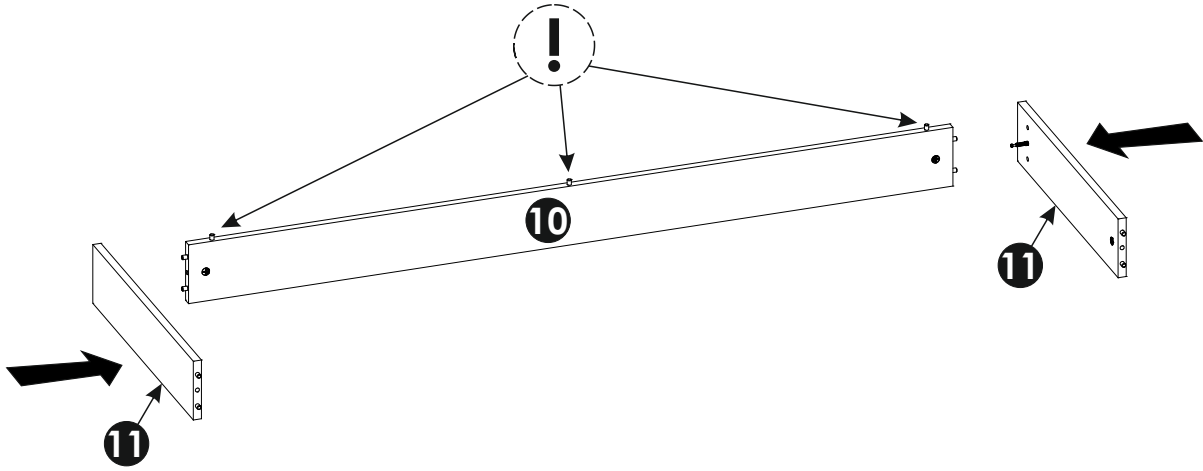
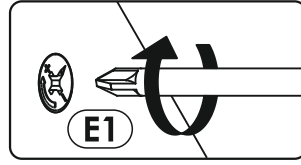
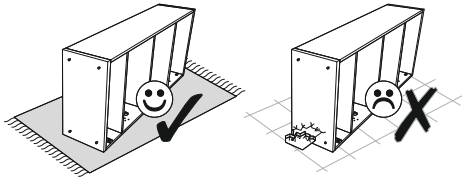
28 ▶



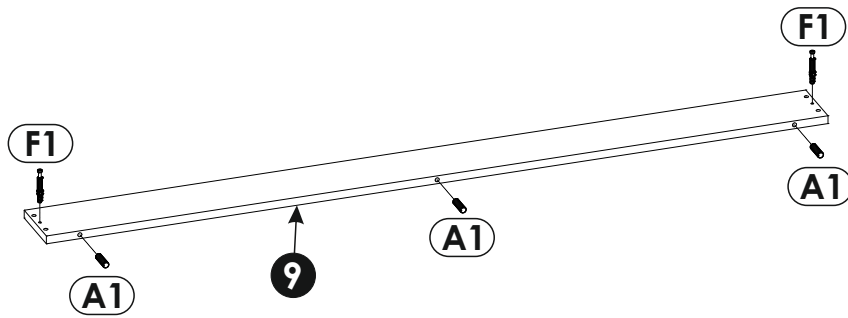
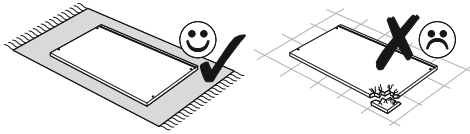
29 ▶



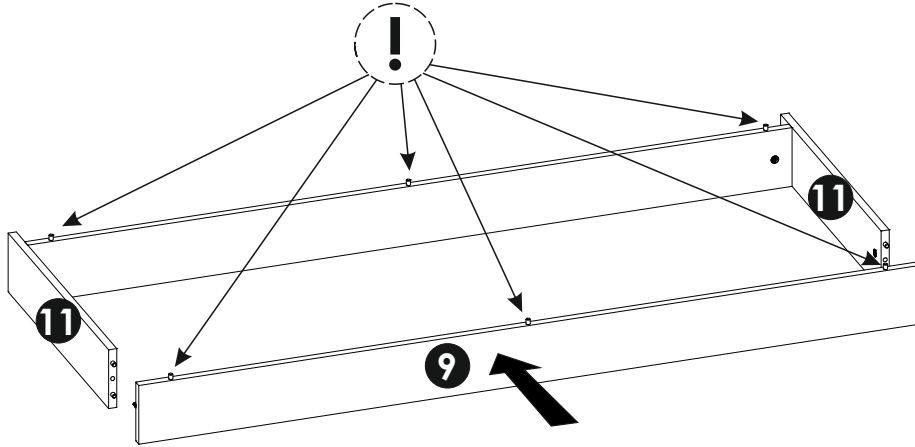
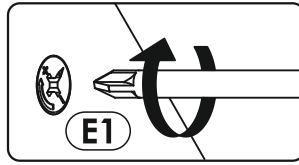
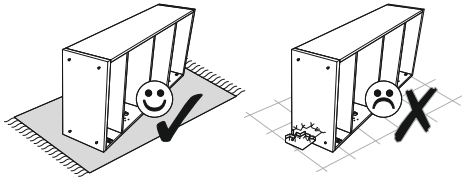
30 ▶



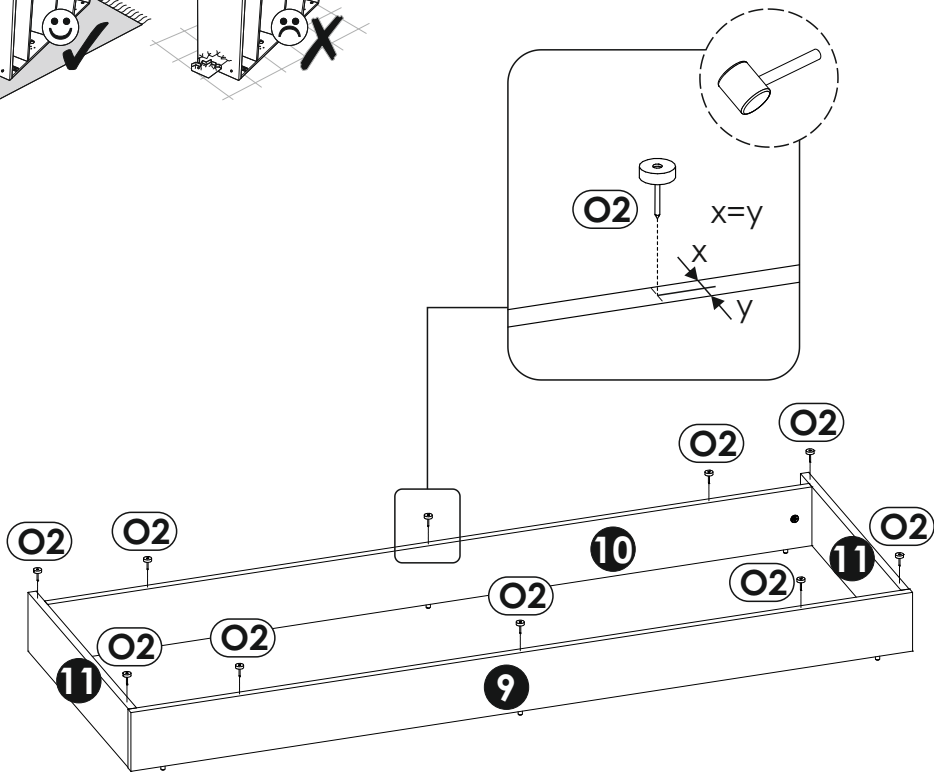
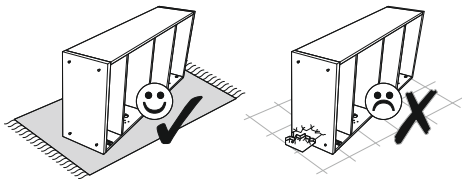
31 ▶



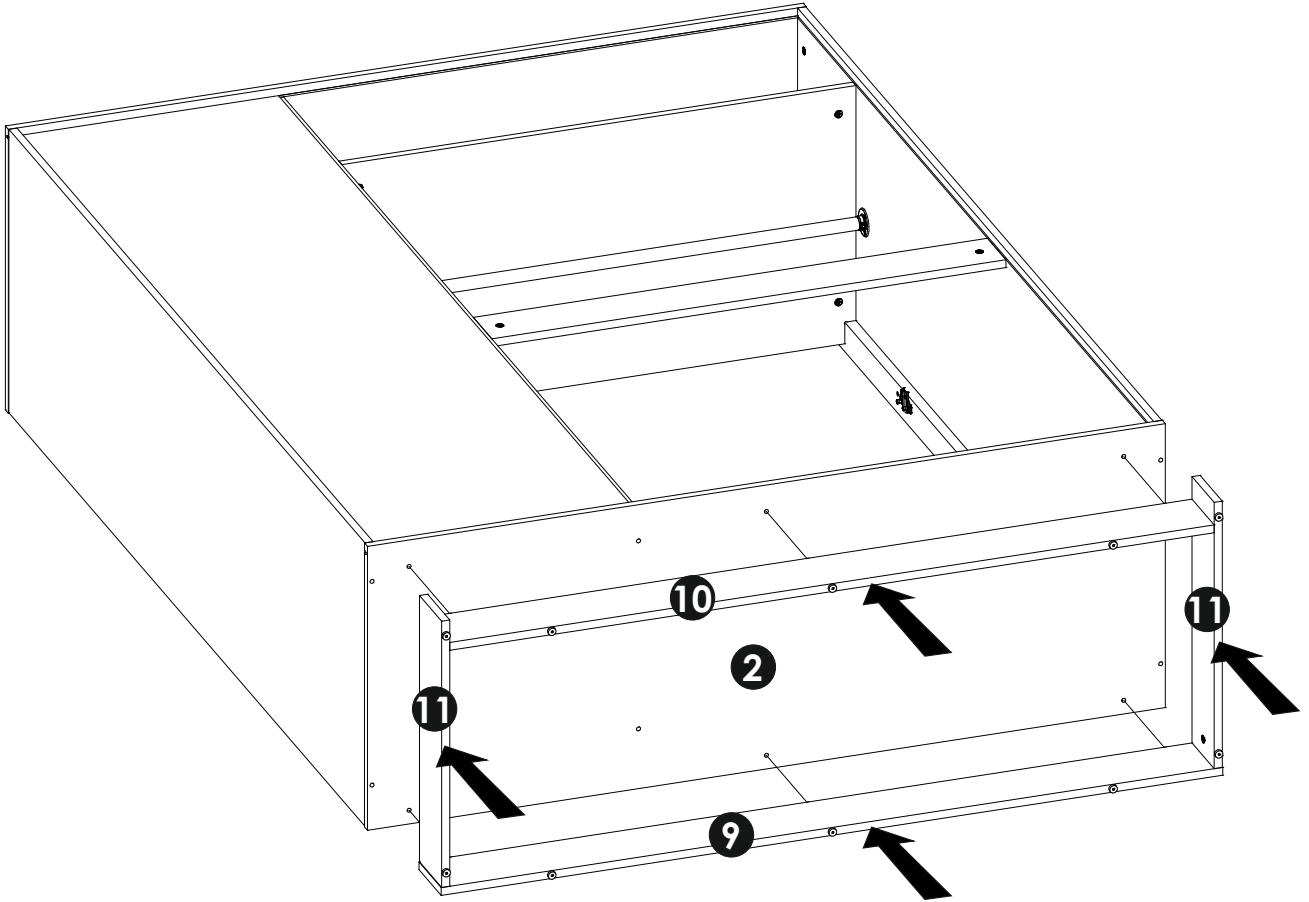
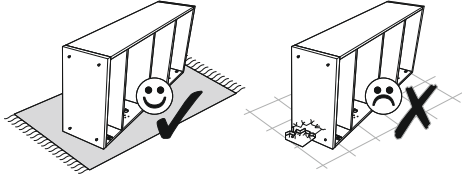
32 ▶



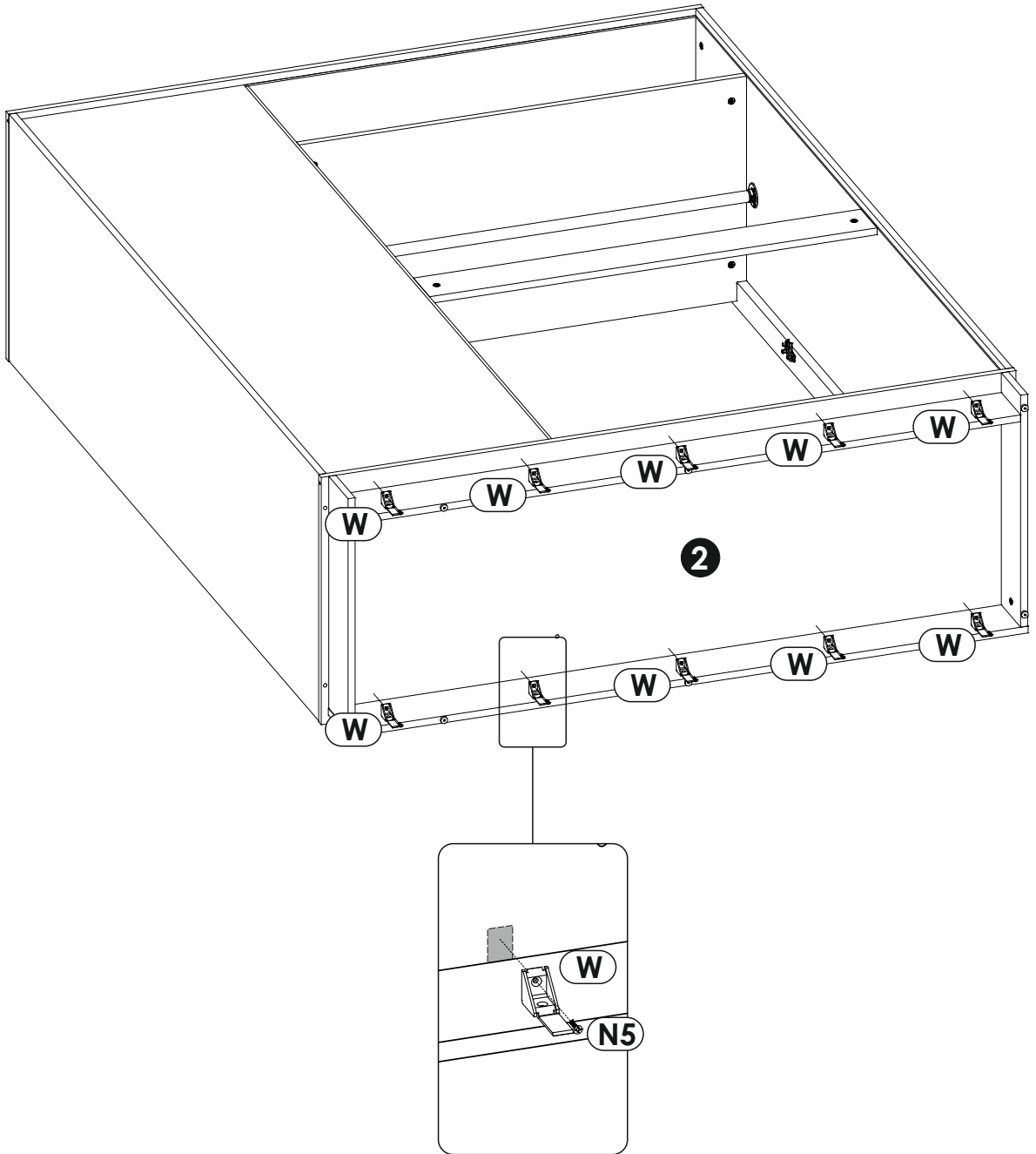
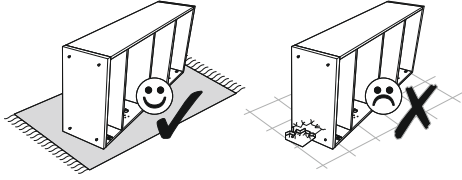
33 ▶



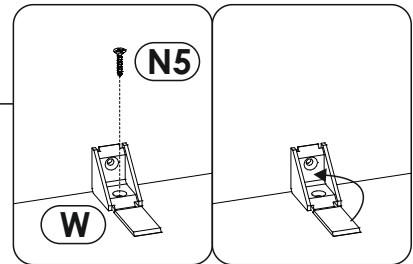
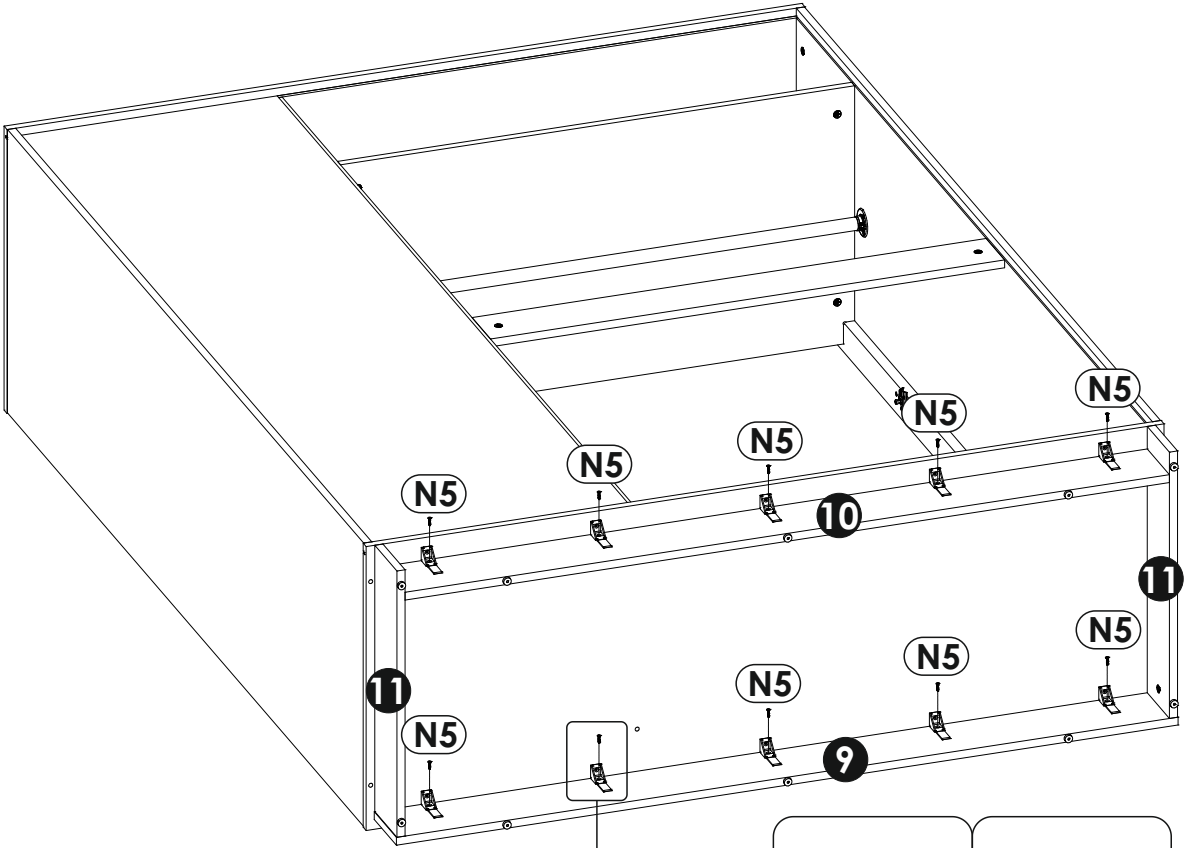
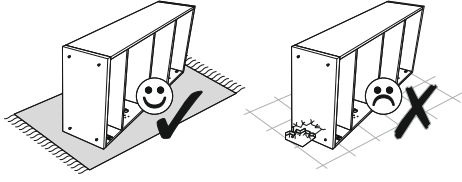
34 ▶



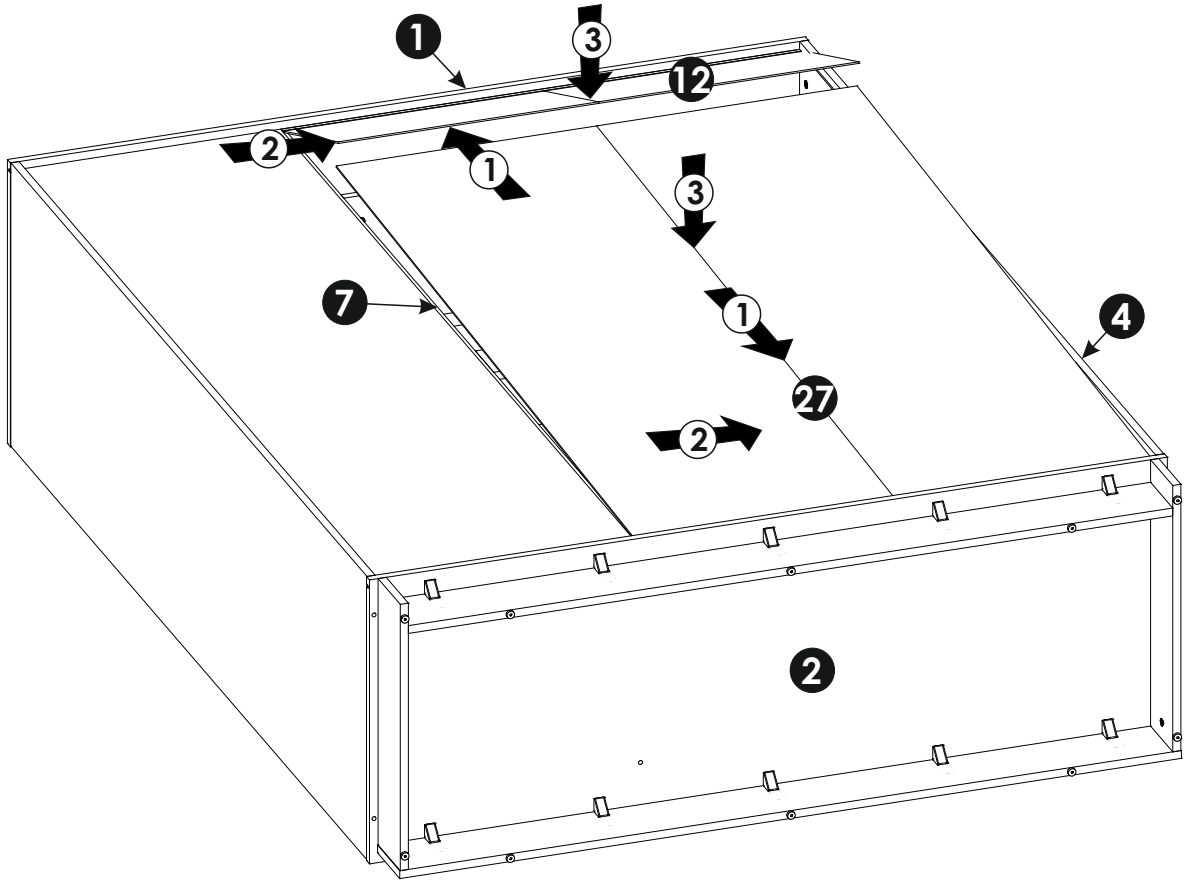
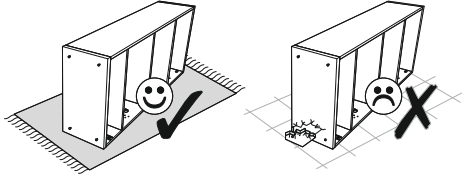
35 ▶



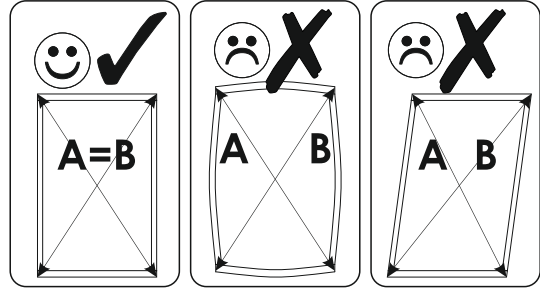
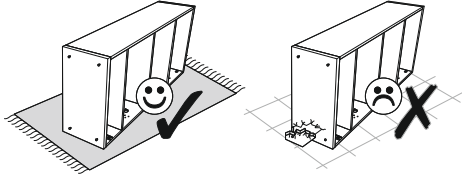
36 ▶



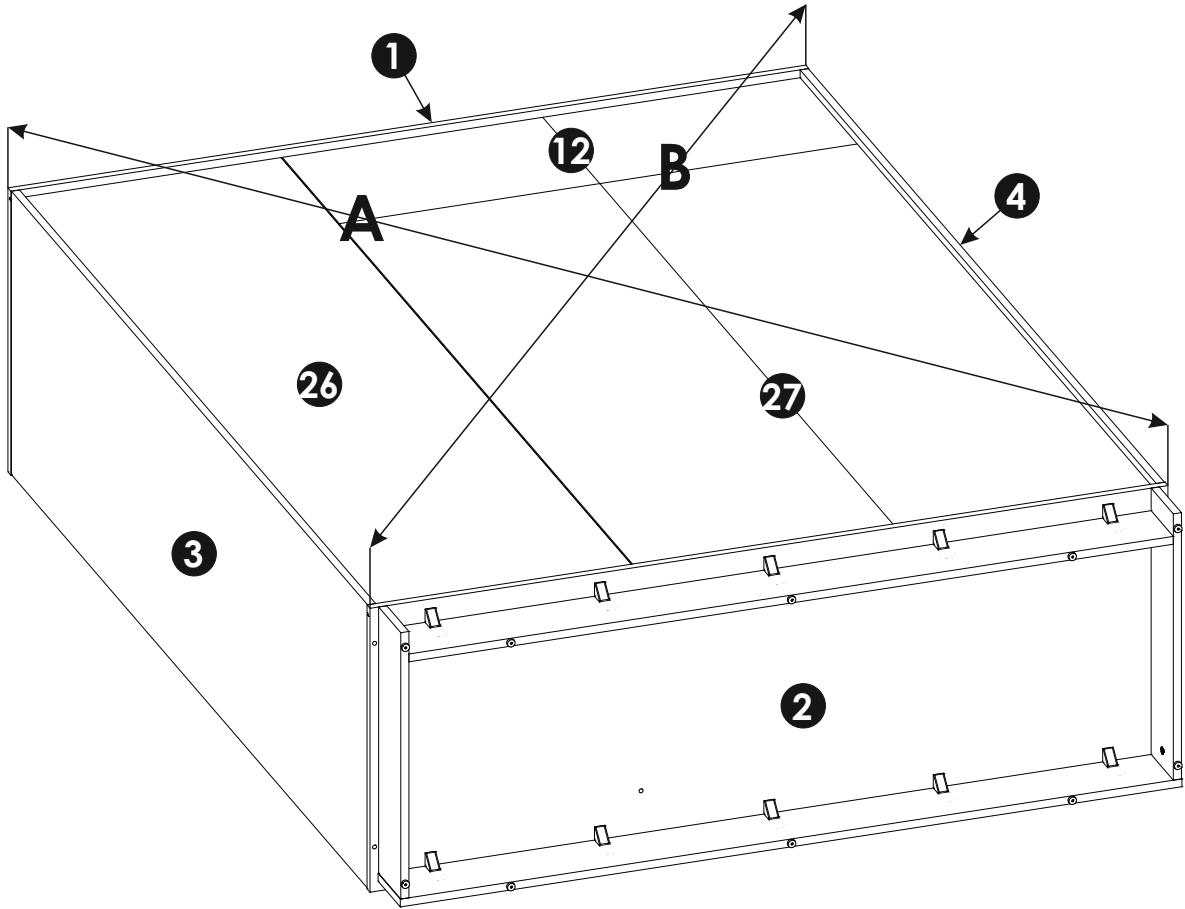
37 ▶



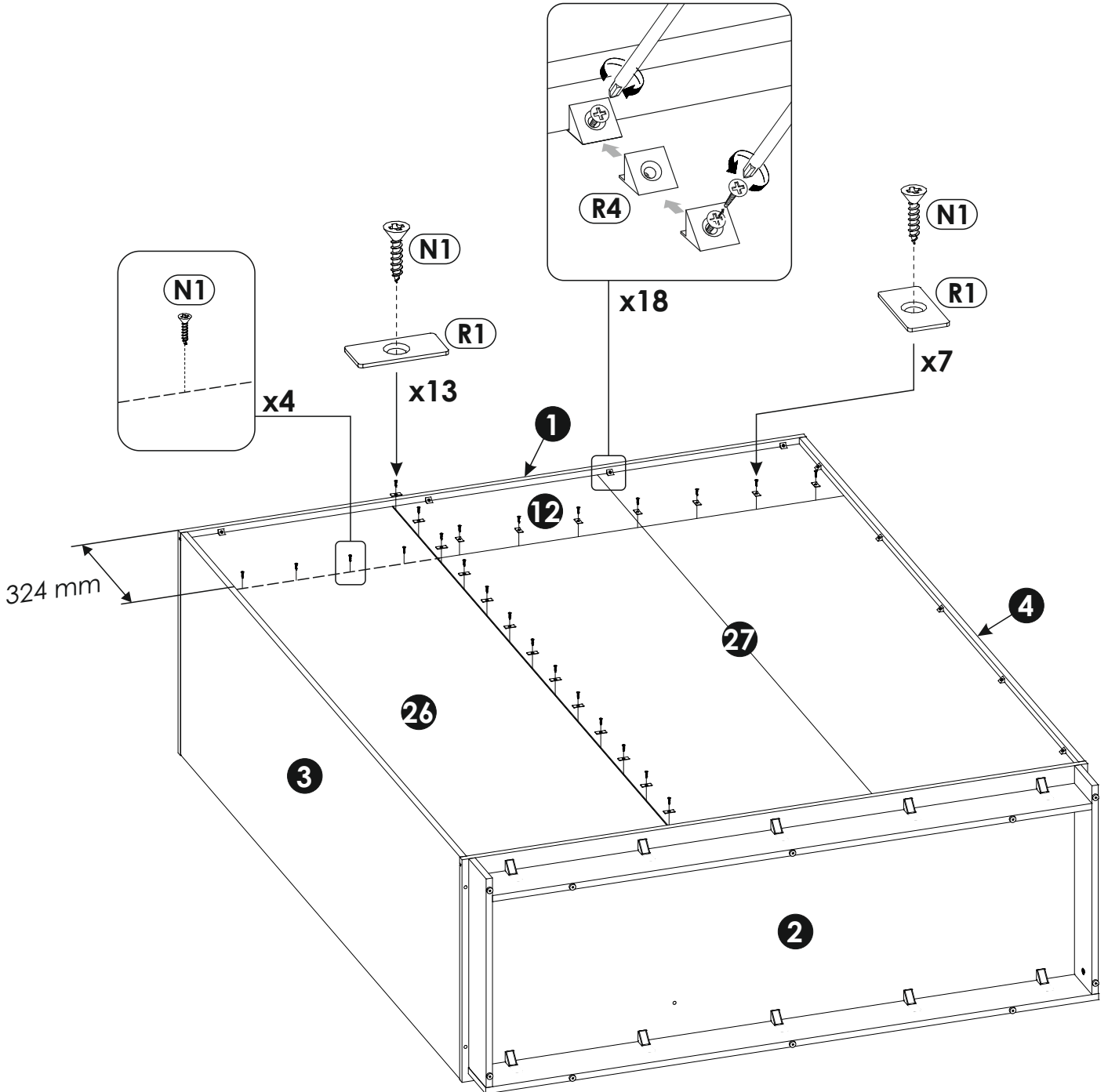
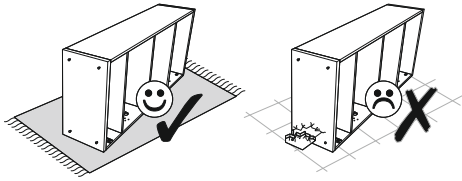
38 ▶



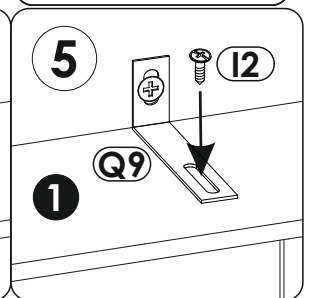
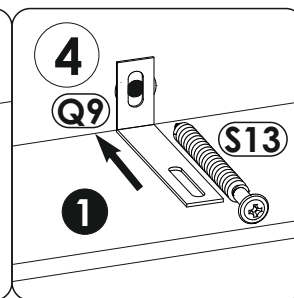
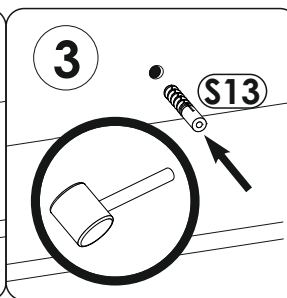
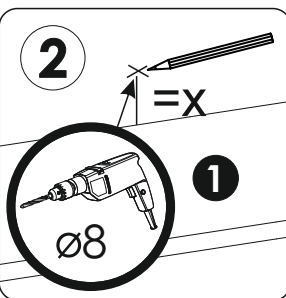
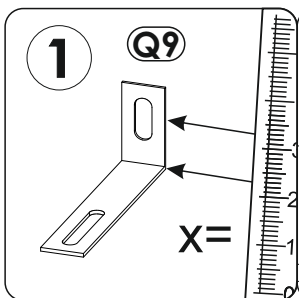
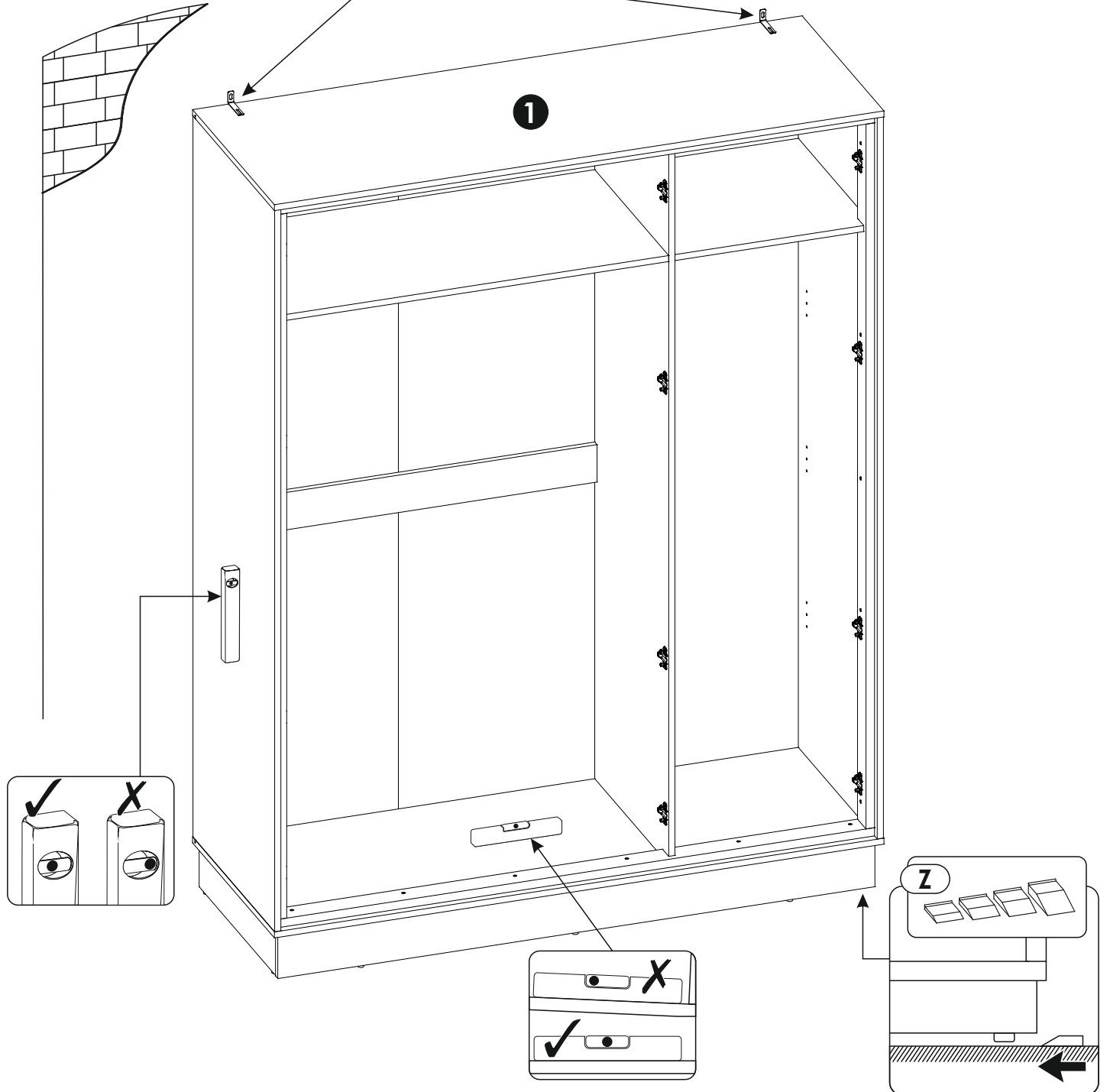
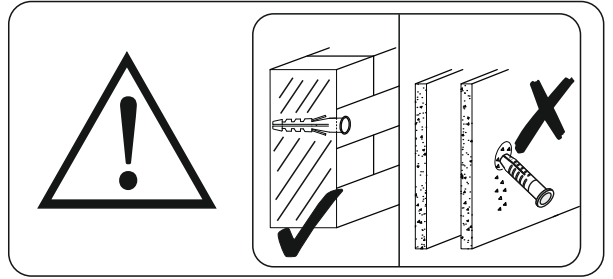
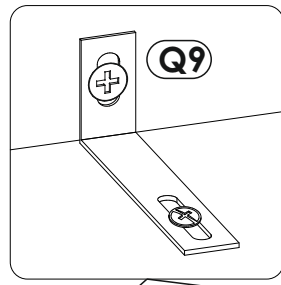
A=B

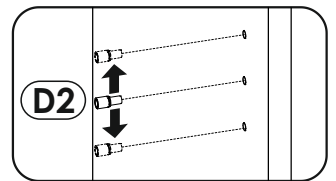
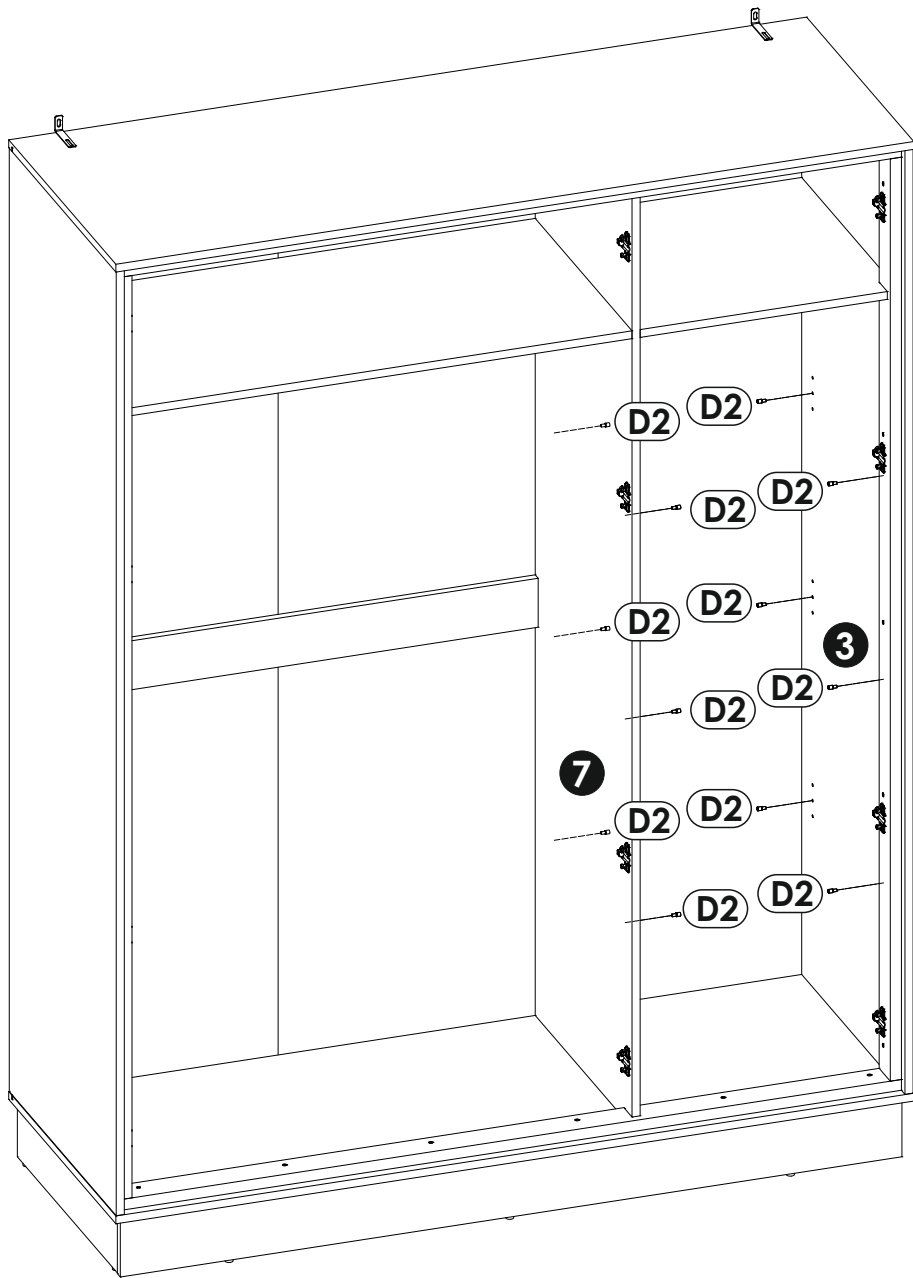


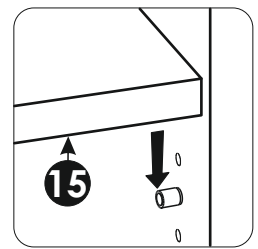
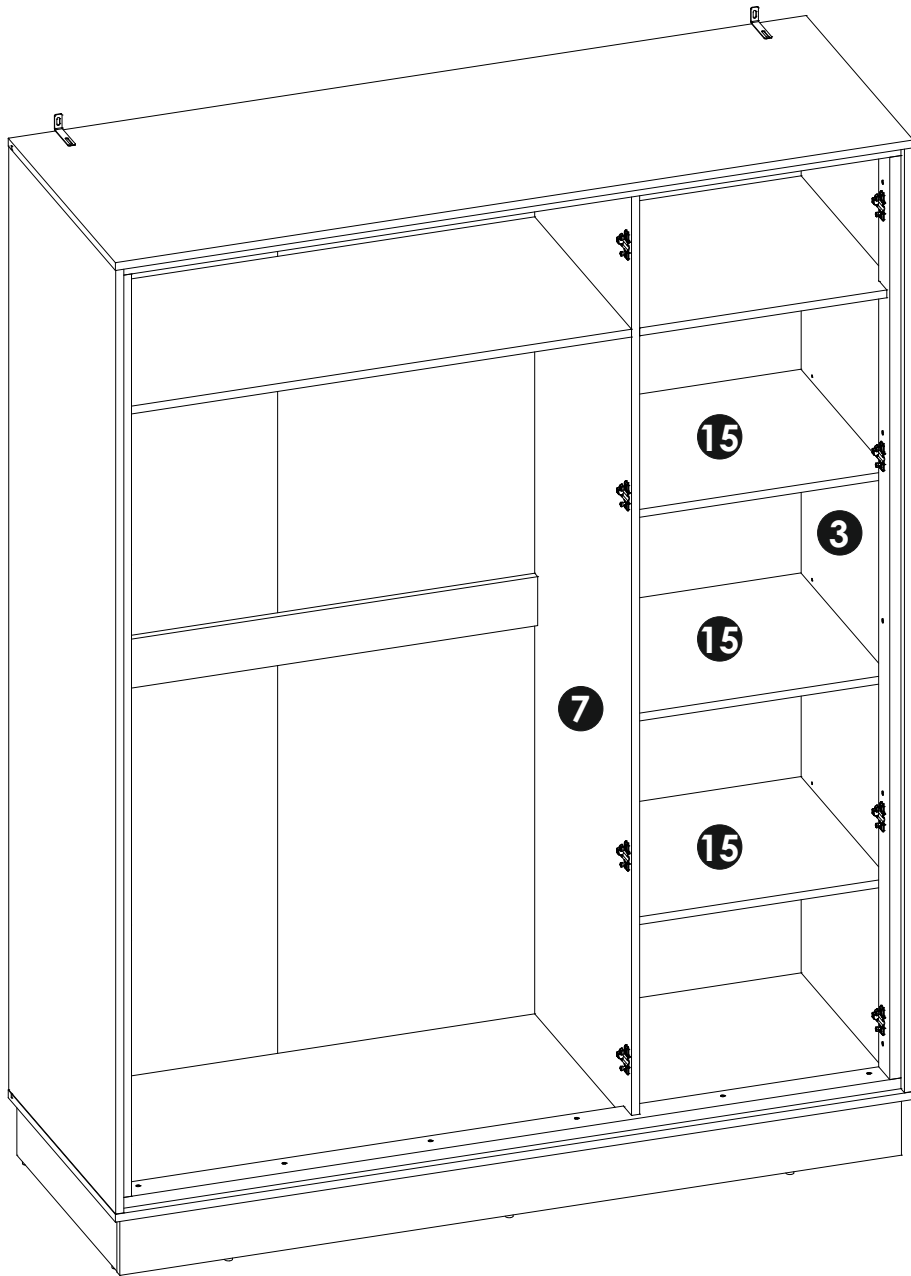
39 ▶



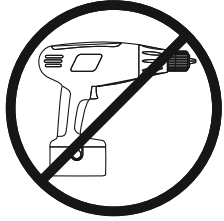
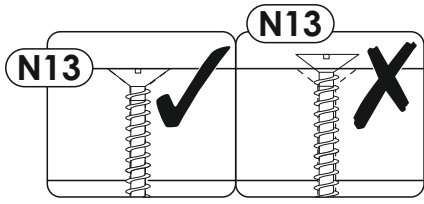
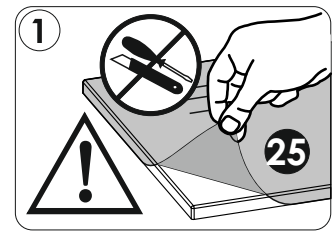
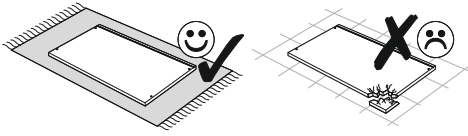
40 ▶







43 ▶



P16

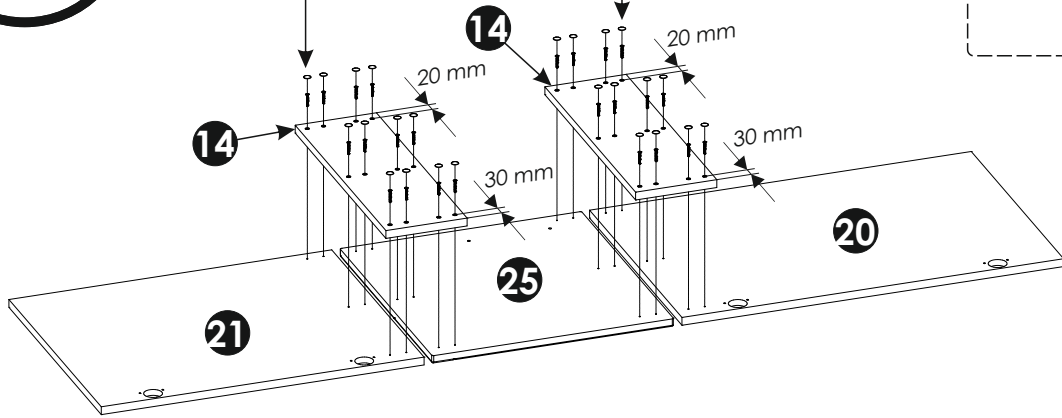
P16

N13

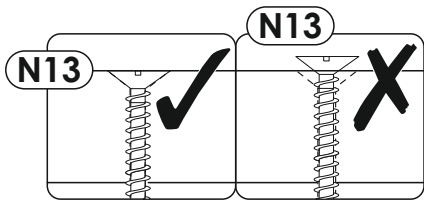
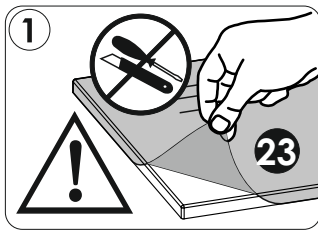
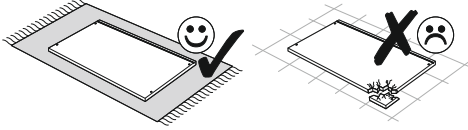
N13

x12

x12



44 ▶



P16

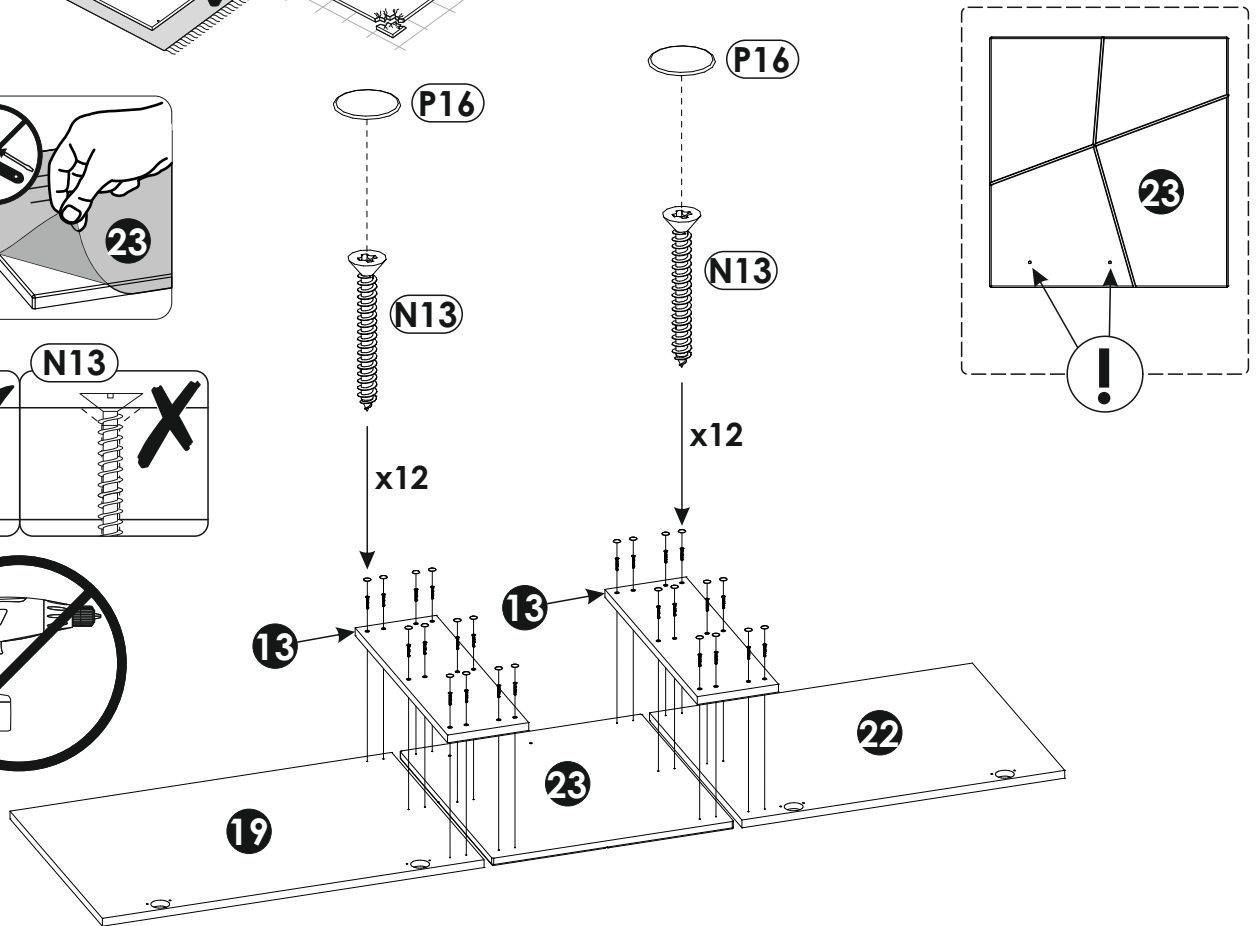
P16

N13

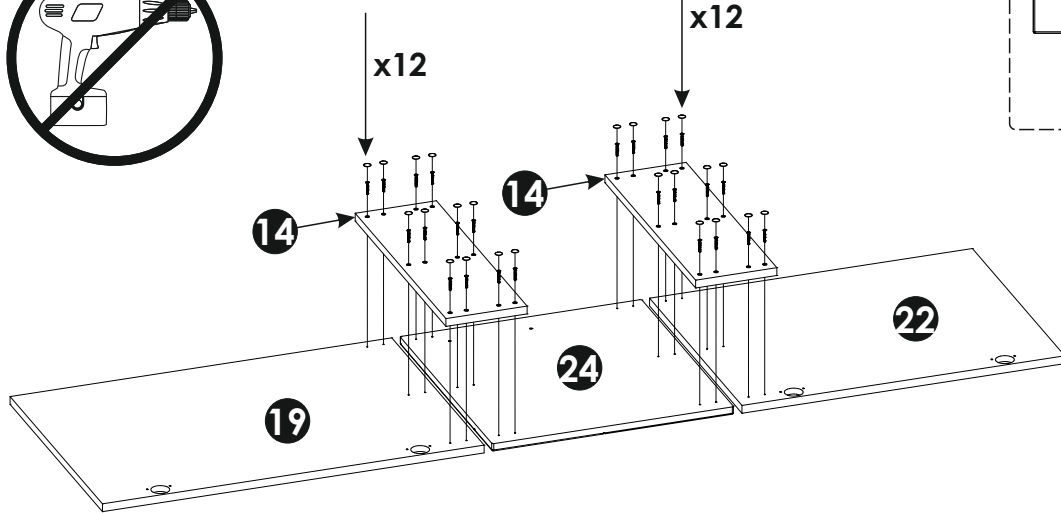
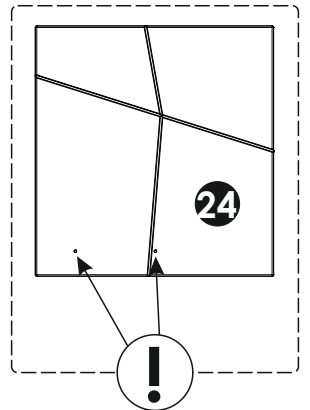
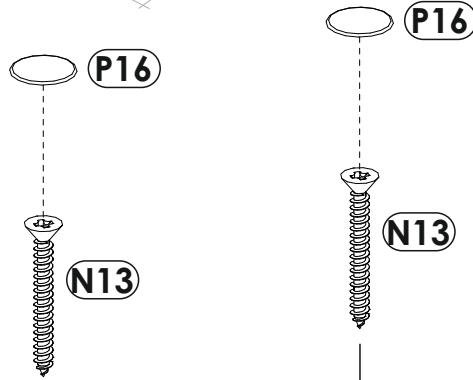
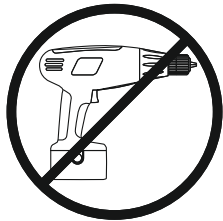
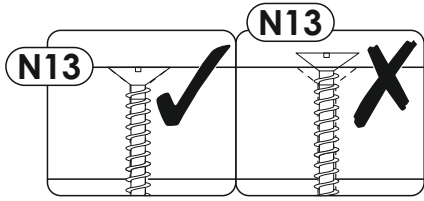
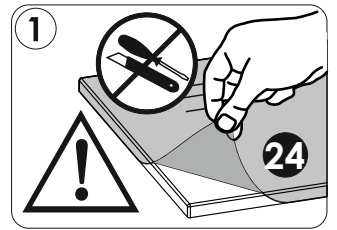
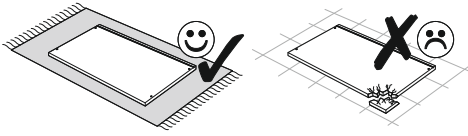
N13

x12

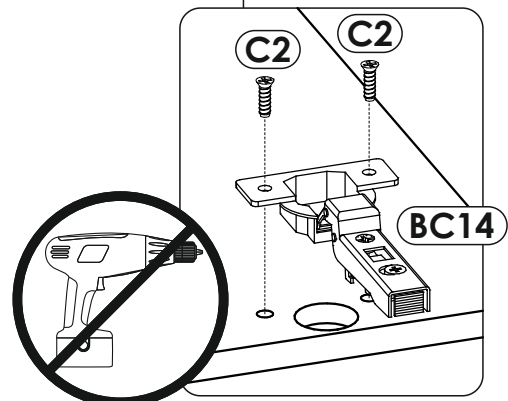
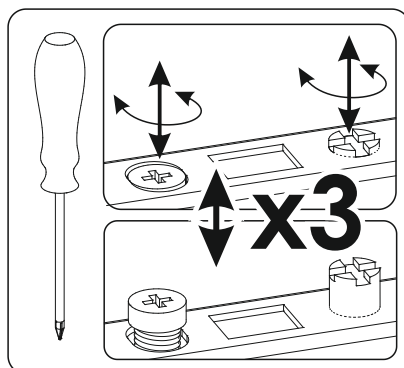
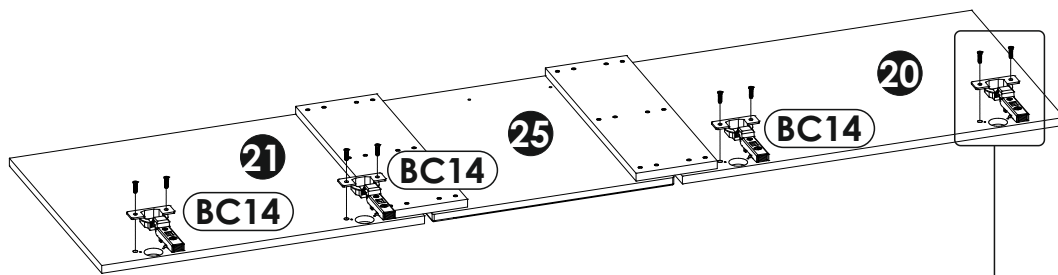
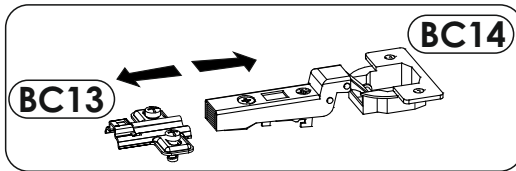
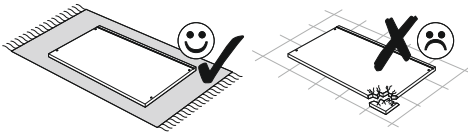
x12



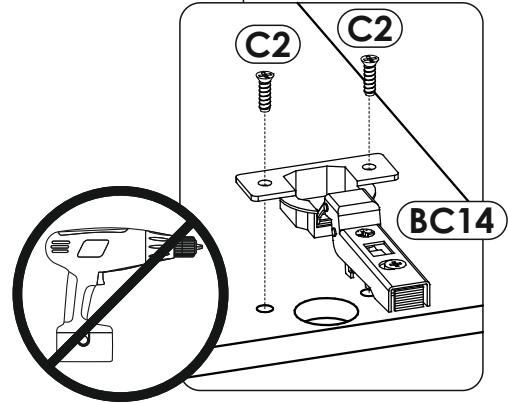
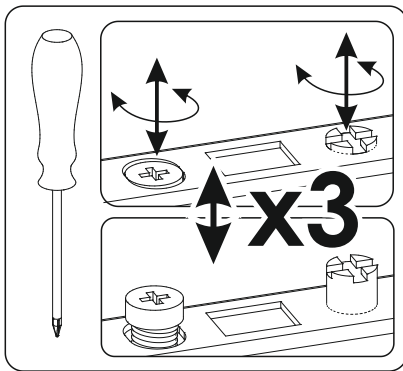
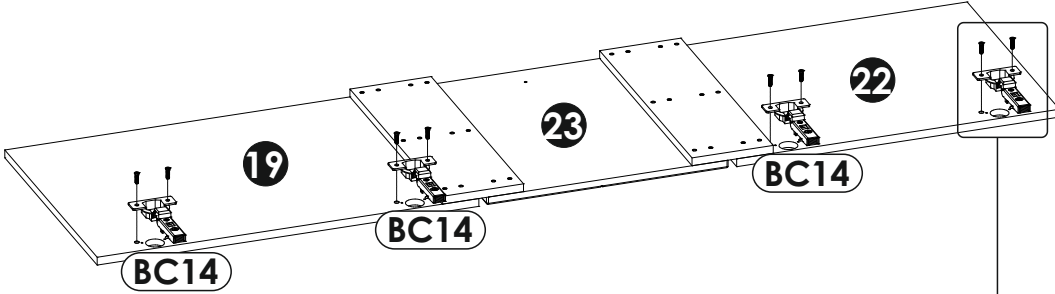
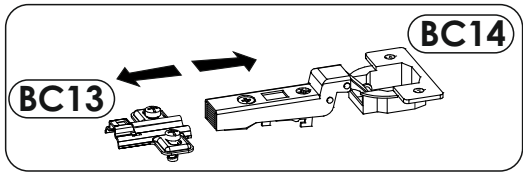
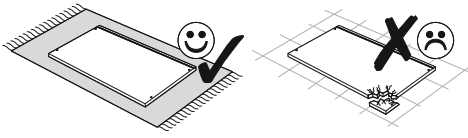
45 ▶



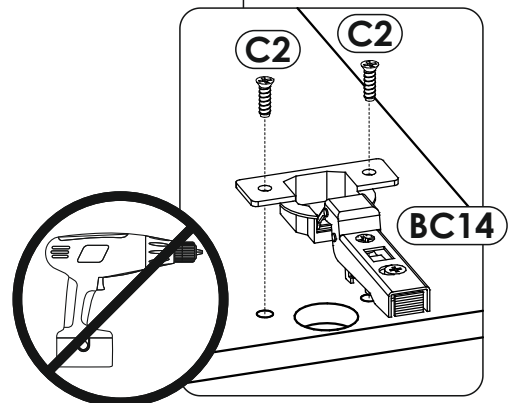
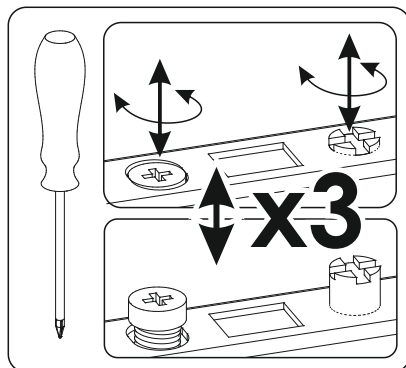
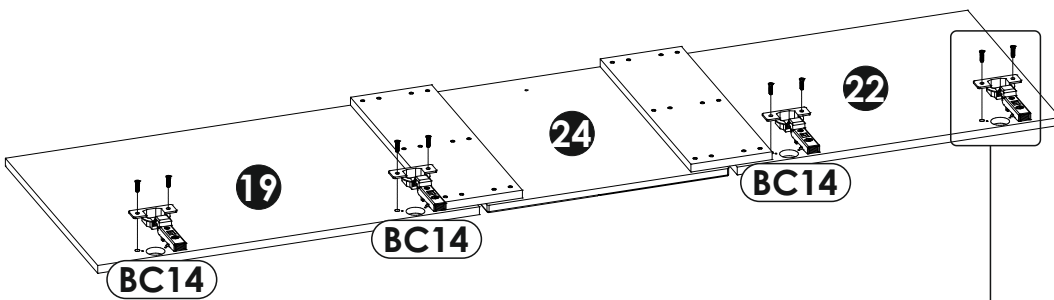
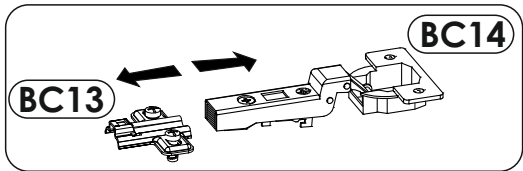
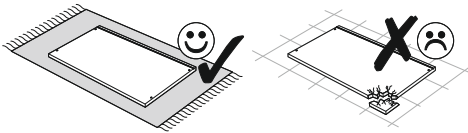
46 ▶

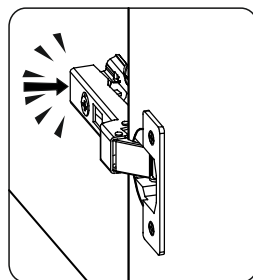
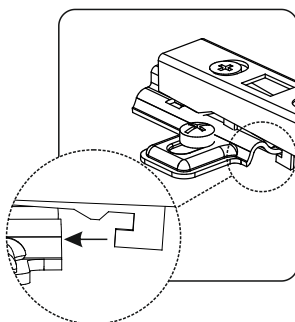
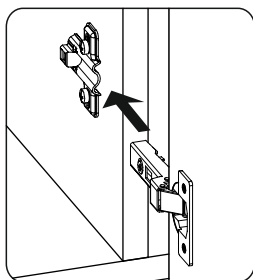
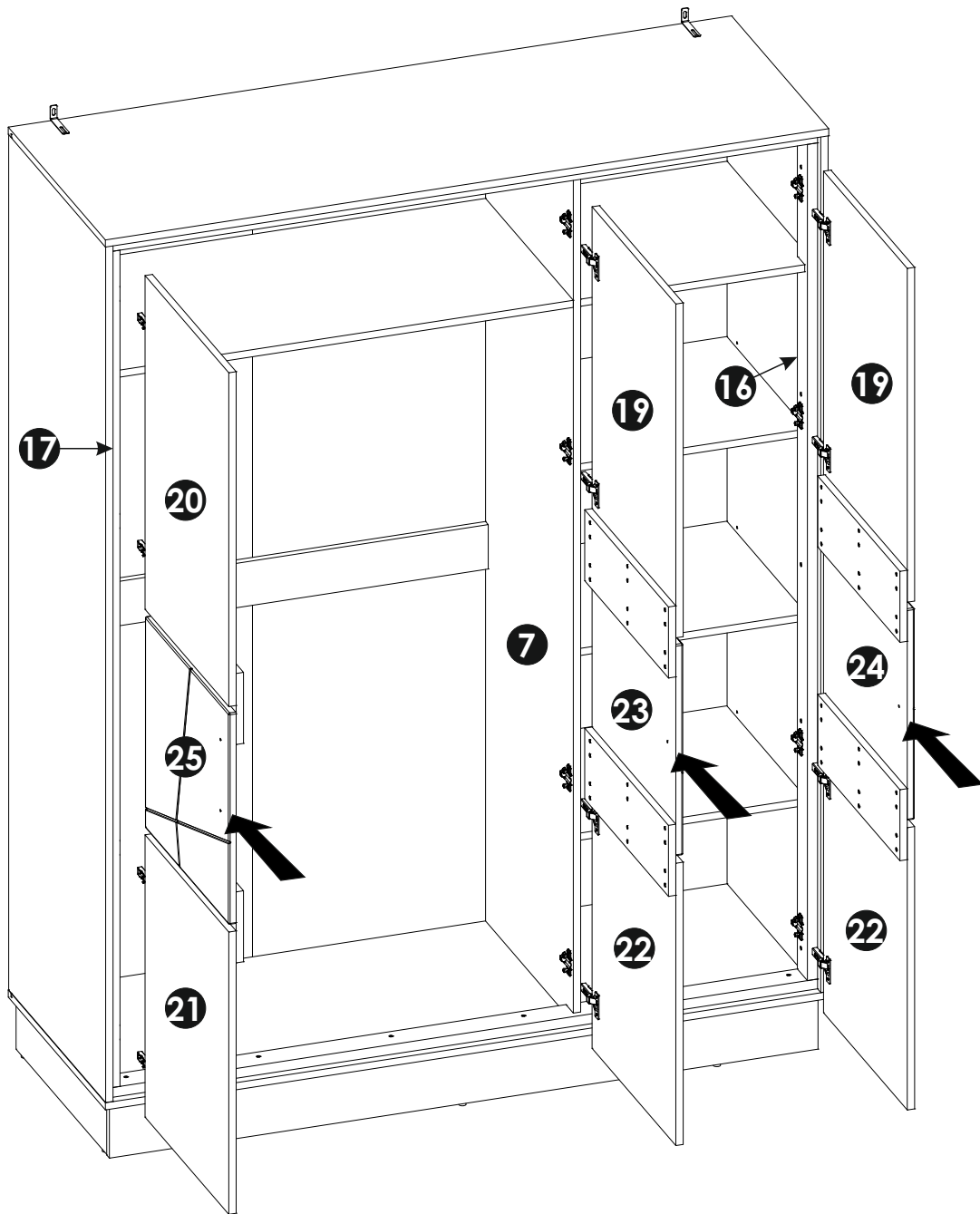


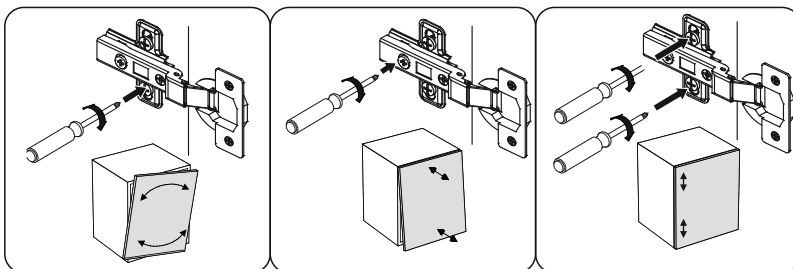
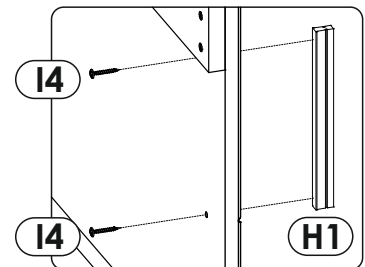
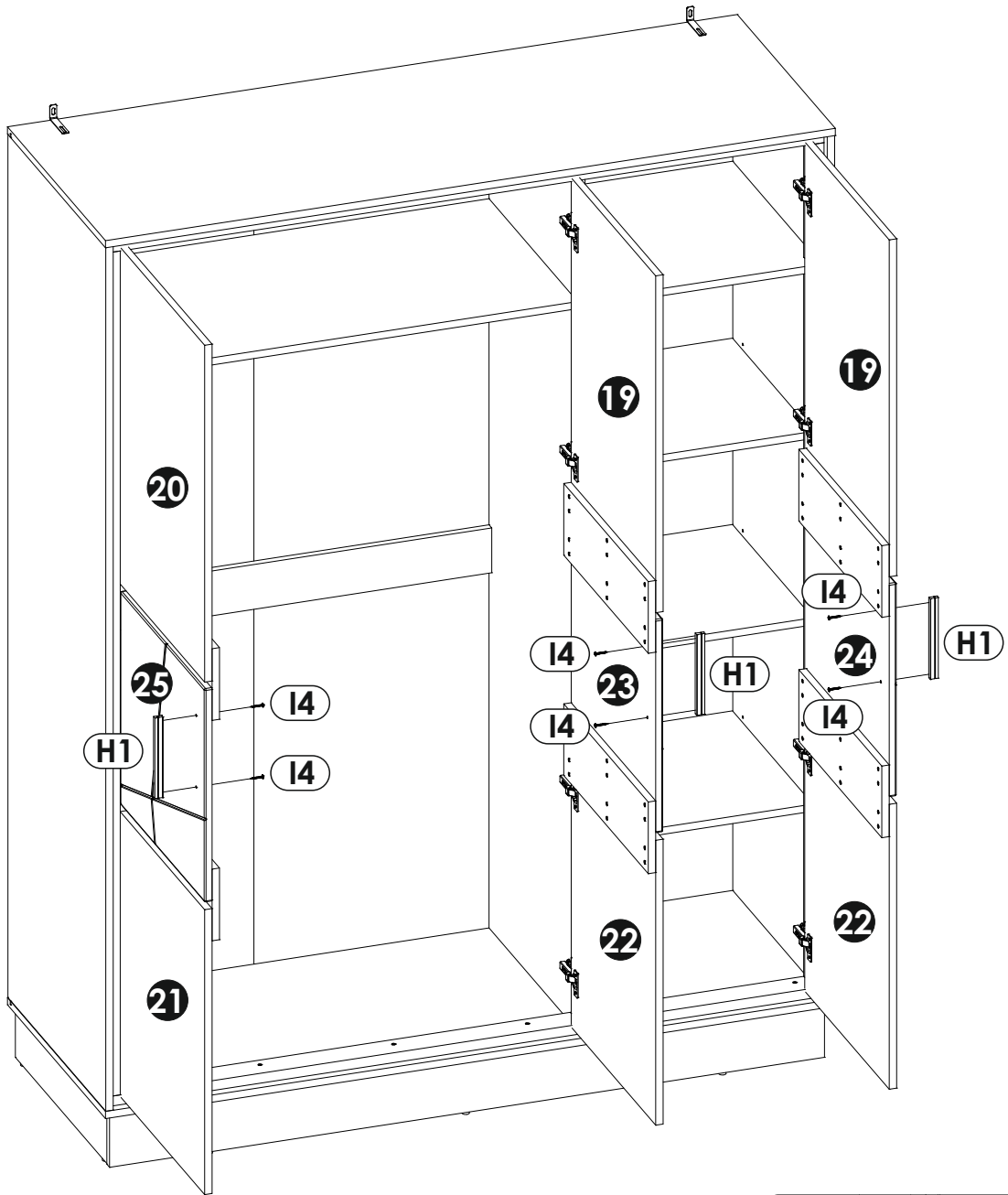
47 ▶



48 ▶







51 ▶

