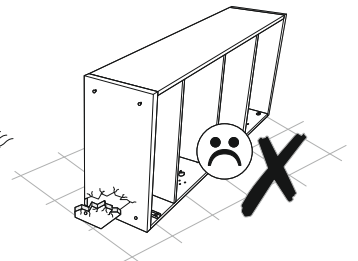
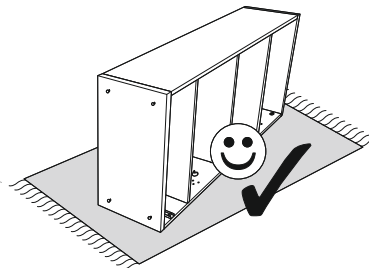
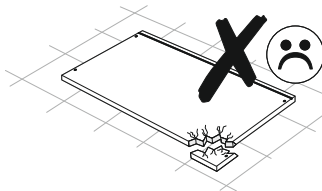
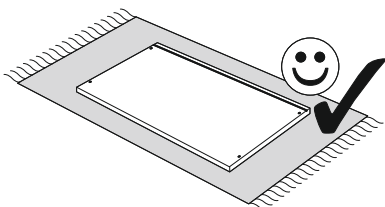
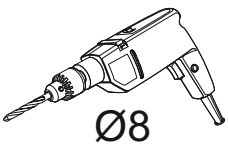
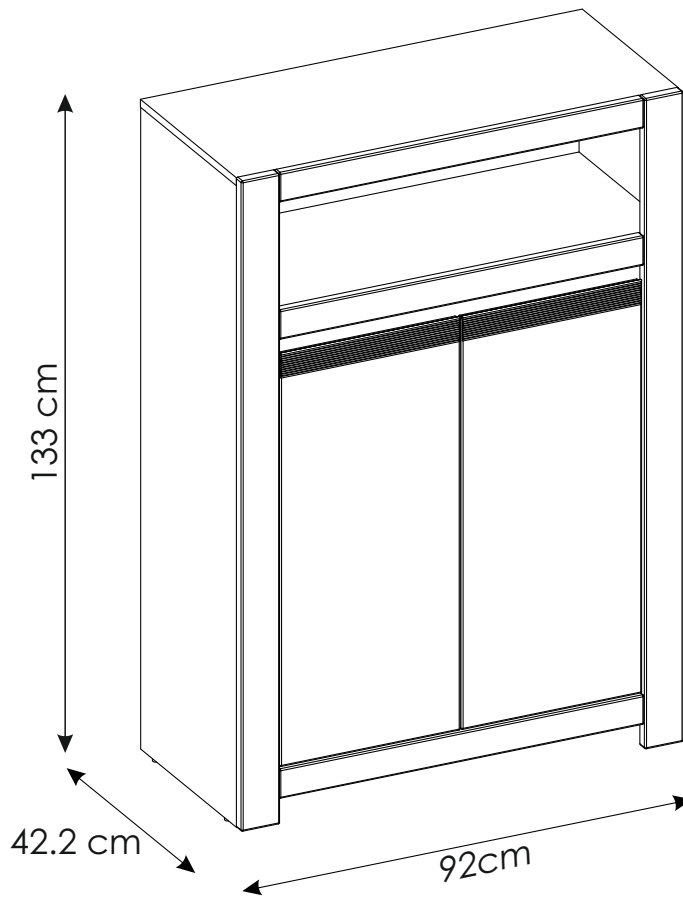
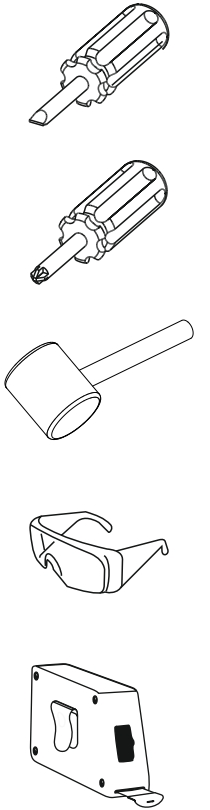
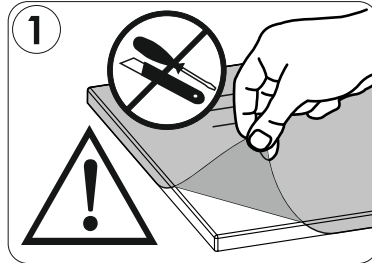
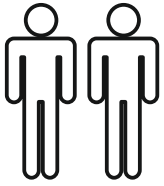
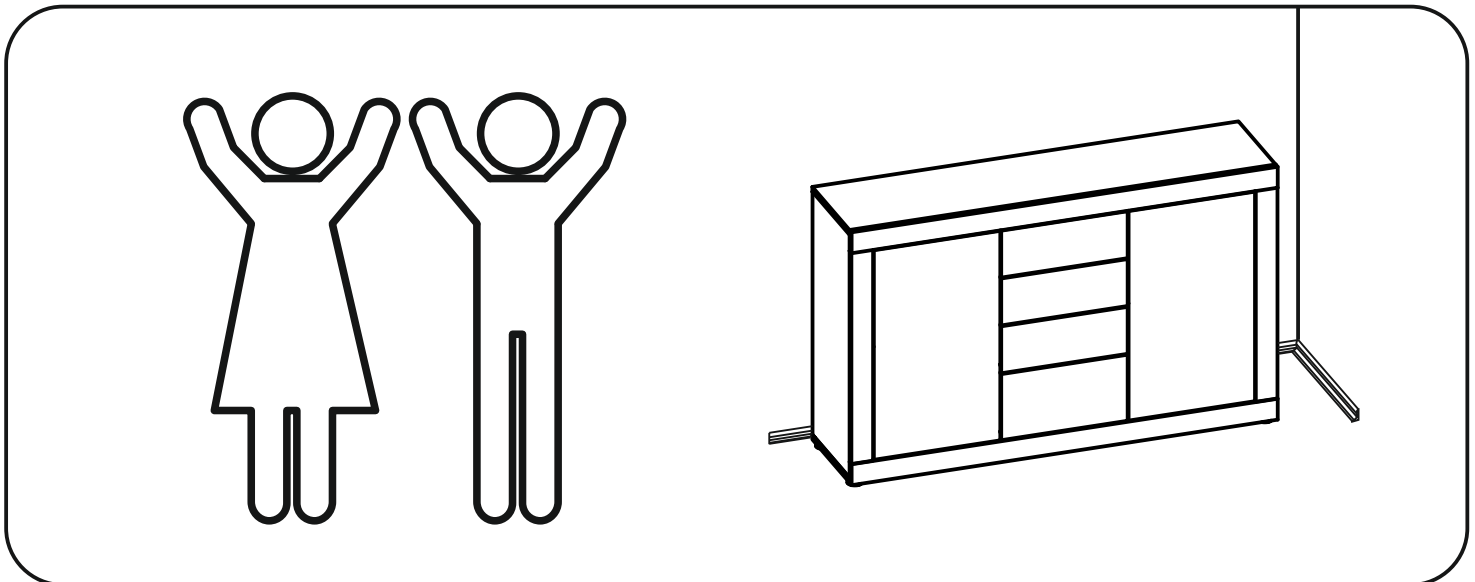
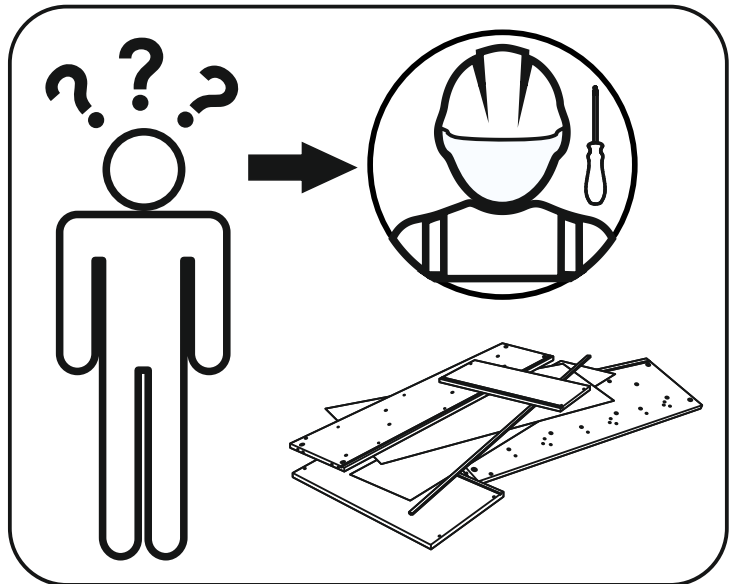
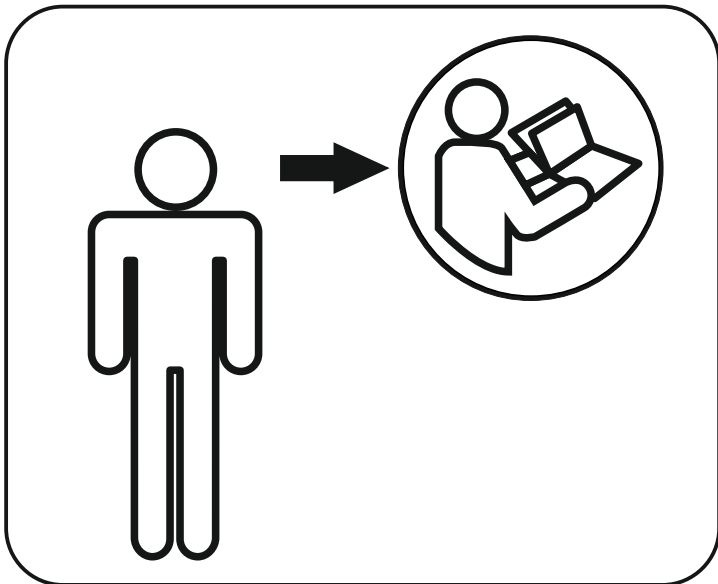
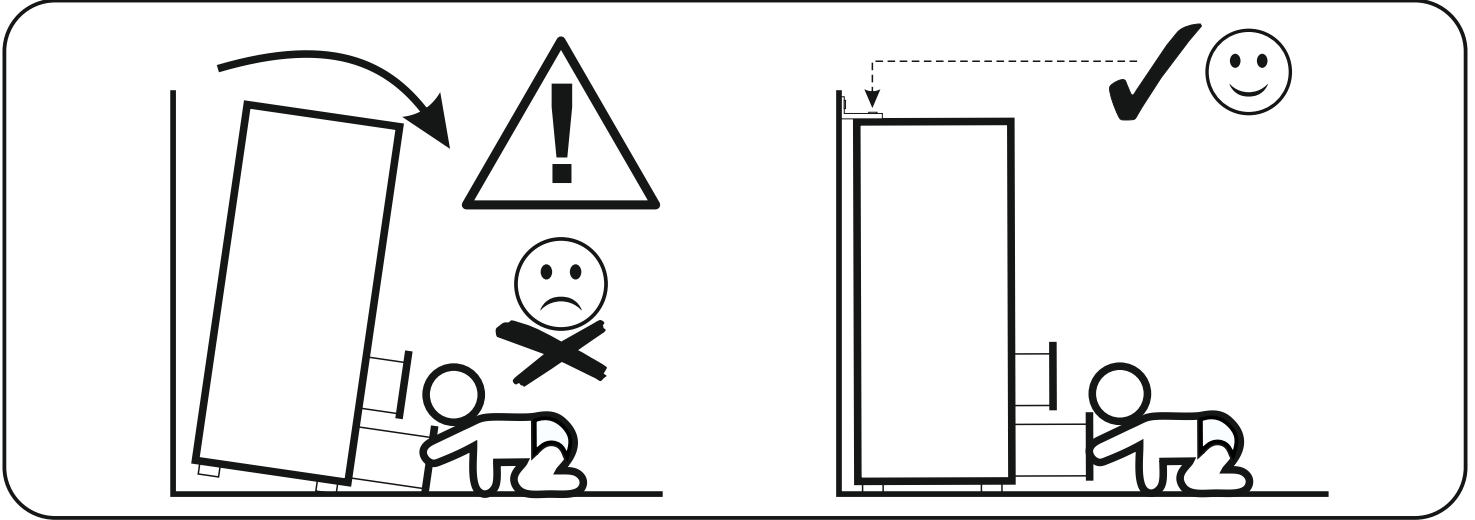
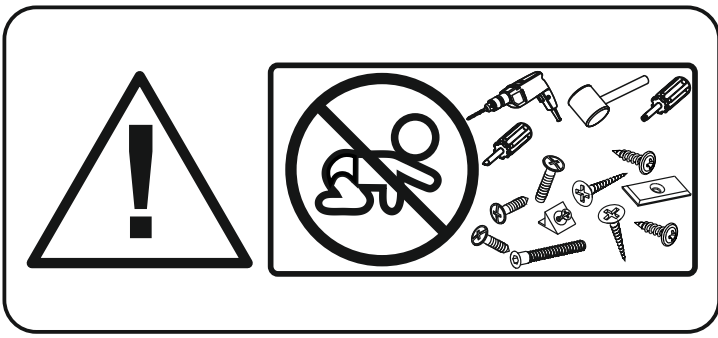


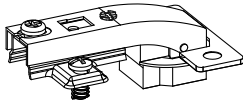



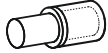

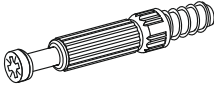


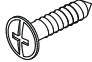

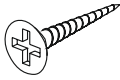

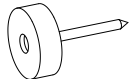
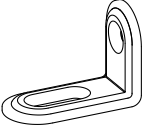
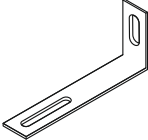

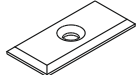
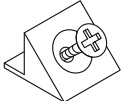


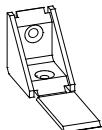
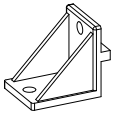
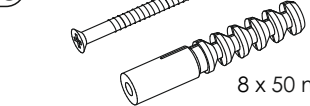
NVIK02

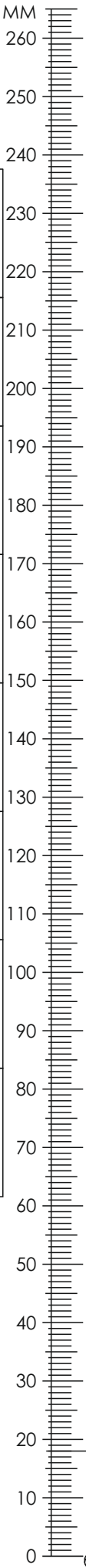
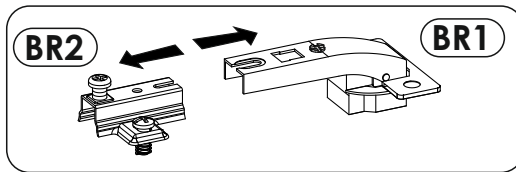
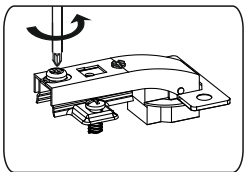




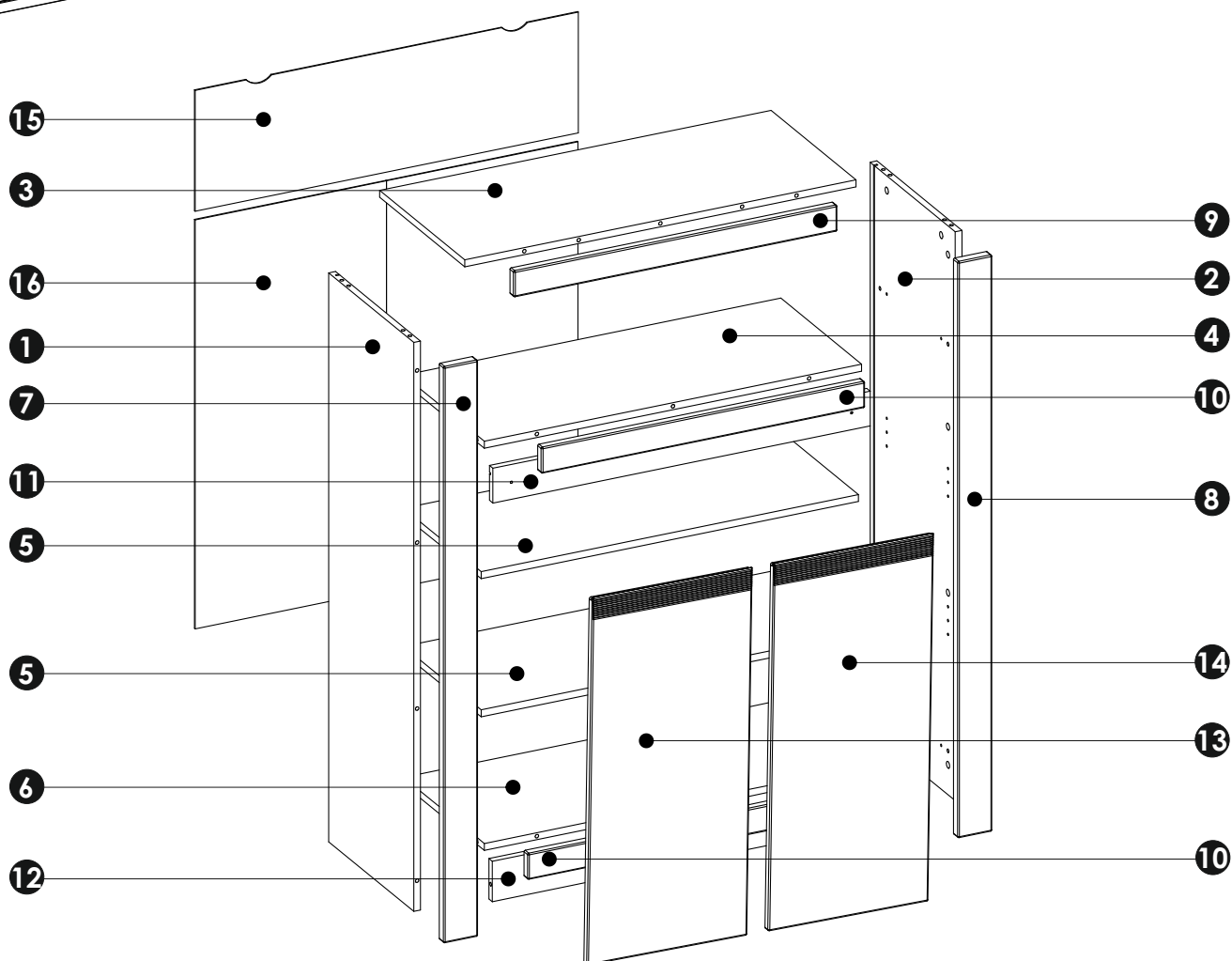
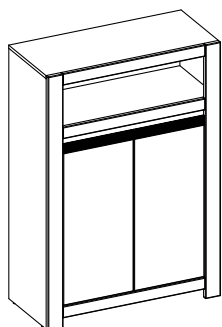
NVIK02

MM

A1	8 x 35 mm	x16	BR1 +		x4	C1	4 x 13 mm	x8
			BR2					
D2		x8	E0		x20	E1	15 x 12 mm	x29
								
F1	6 x 34 mm	x29	I2	4 x 16 mm	x2	I13	3 x 13 mm	x16
								
I18	3,5 x 27 mm	x2	N1	3 x 16 mm	x15	N2	3,5 x 16 mm	x8
								
N3	3 x 13 mm	x1	O2		x6	Q2		x2
								
Q9		x2	Q12		x1	R1		x6
								
R4		x8	R8		x4	S13	5 x 50 mm	x2
								
W		x2	W13		x4	Z	8 x 50 mm	x1
								

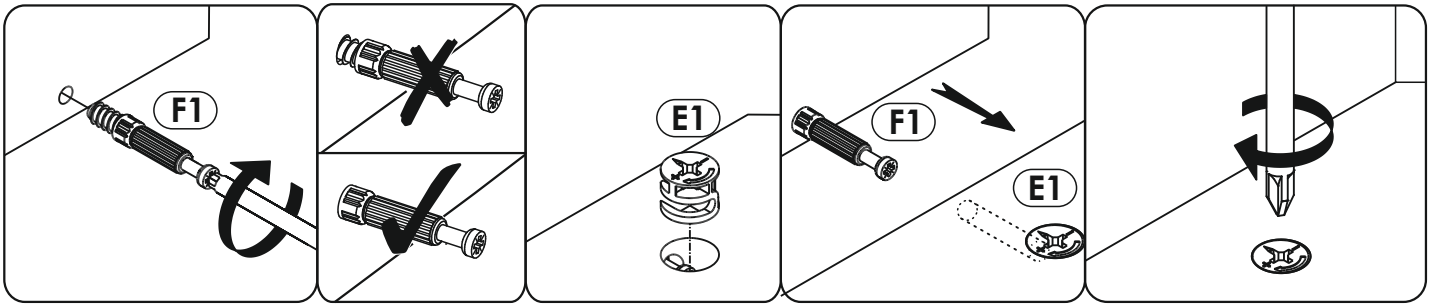


NVIK02

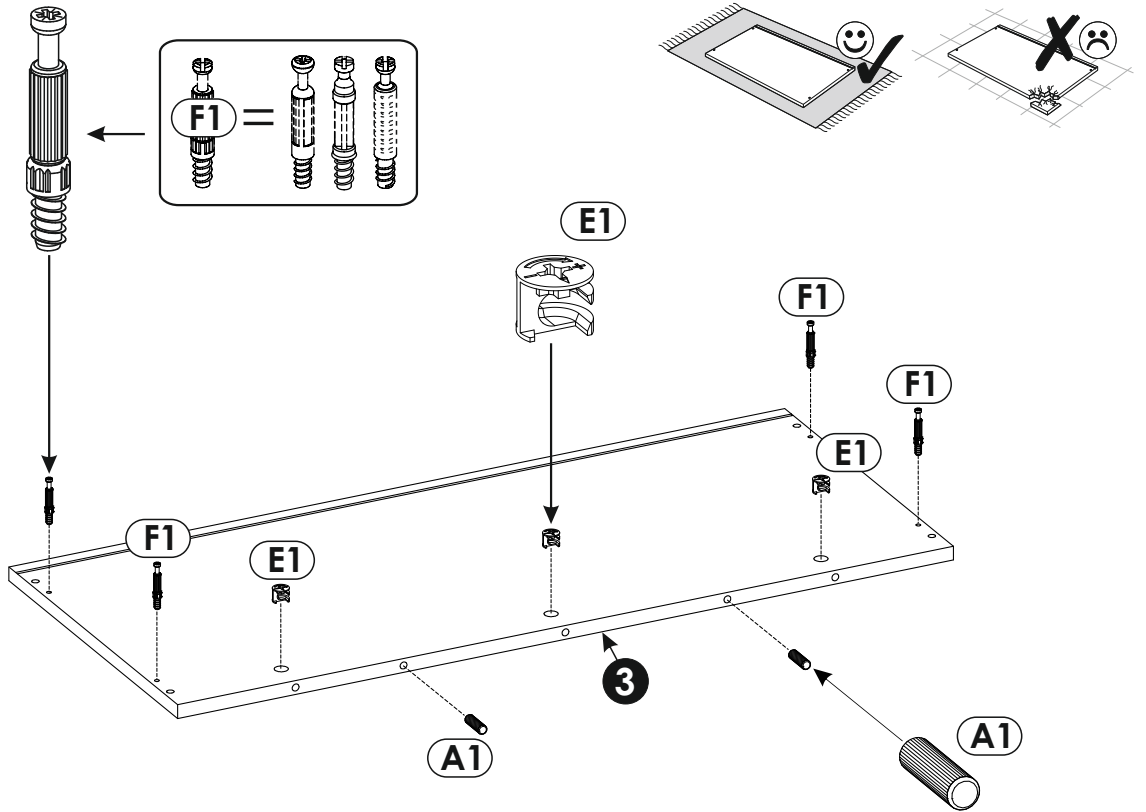


1	1309	400	16 x1	2/2
2	1309	400	16 x1	2/2
3	920	400	16 x1	1/2
4	887	380	16 x1	1/2
5	887	365	16 x2	1/2
6	887	380	16 x1	1/2
7	1326	80	22 x1	2/2
8	1326	80	22 x1	2/2

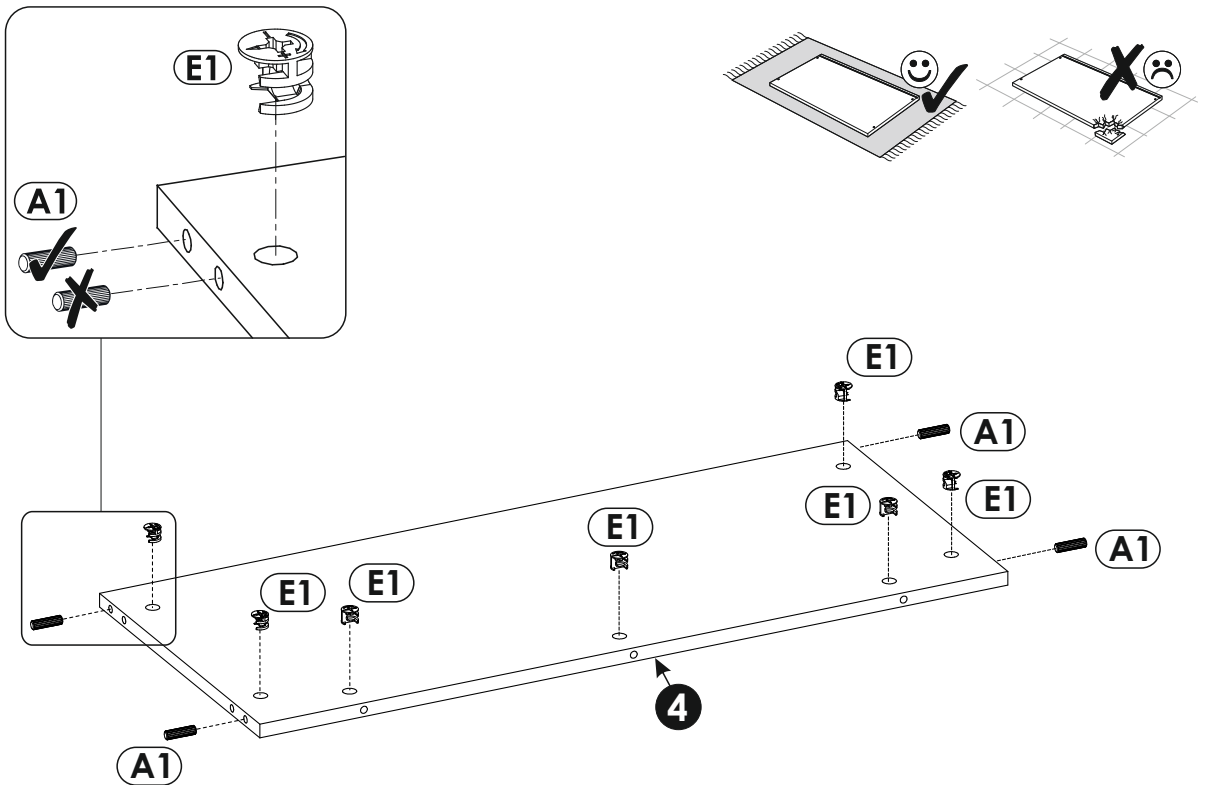
9	760	60	19 x1	2/2
10	760	60	19 x2	2/2
11	887	80	16 x1	1/2
12	887	93	16 x1	1/2
13	843	376	16 x1	1/2
14	843	376	16 x1	1/2
15	901	278	3 x1	1/2
16	941	900	3 x1	2/2



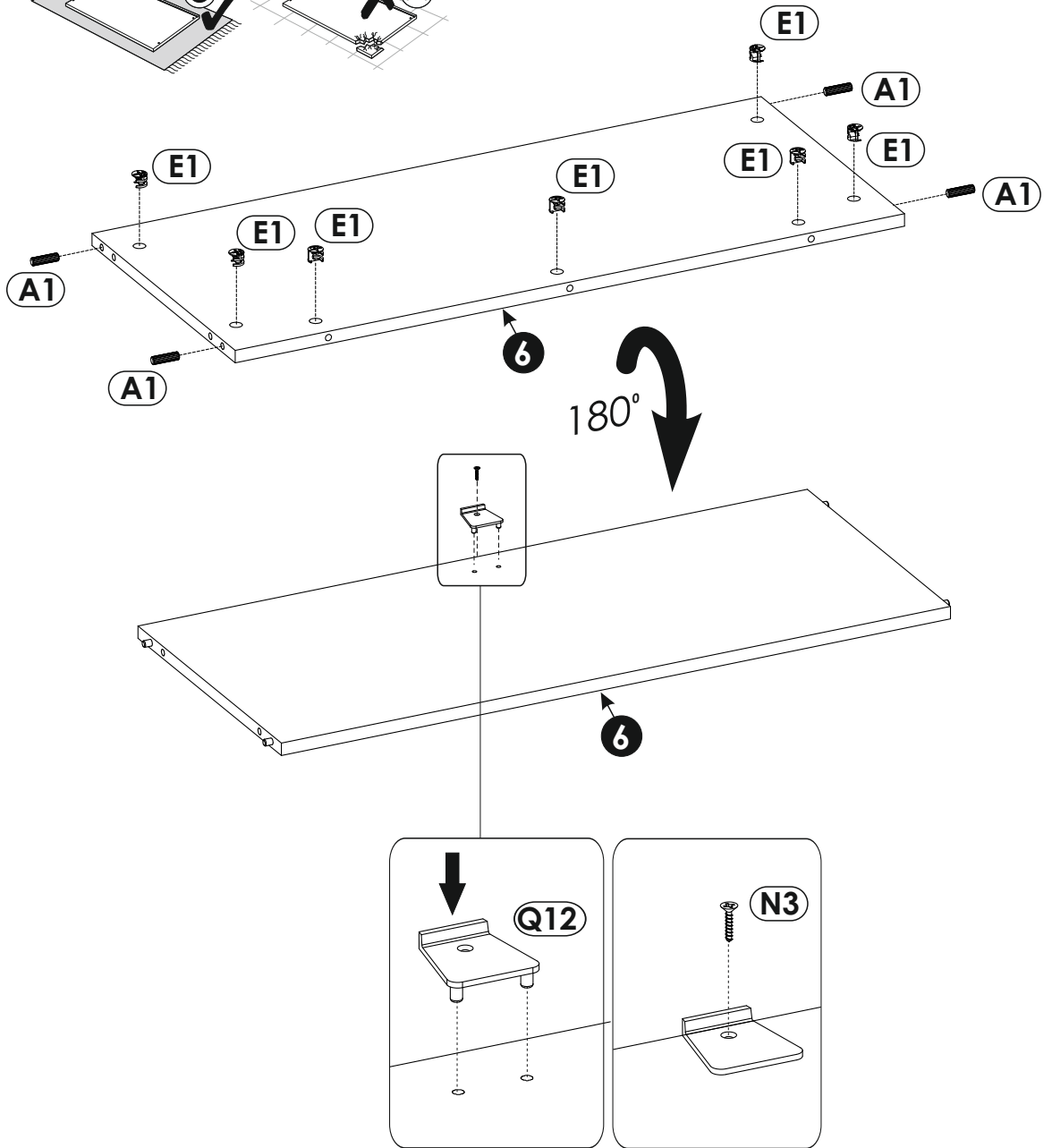
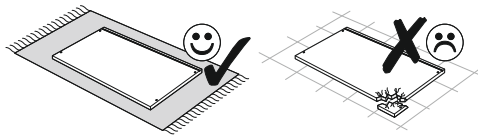
1 ▶



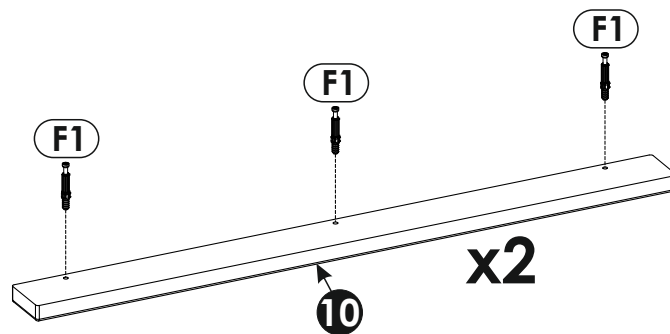
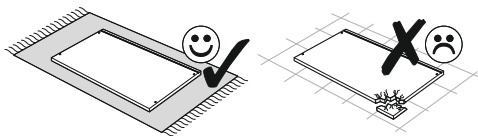
2 ▶



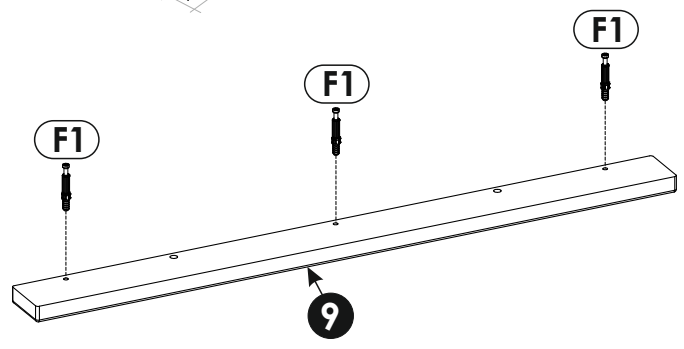
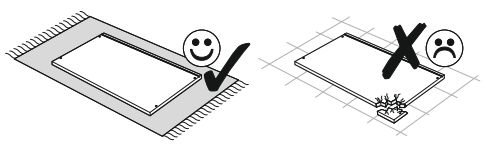
3 ▶



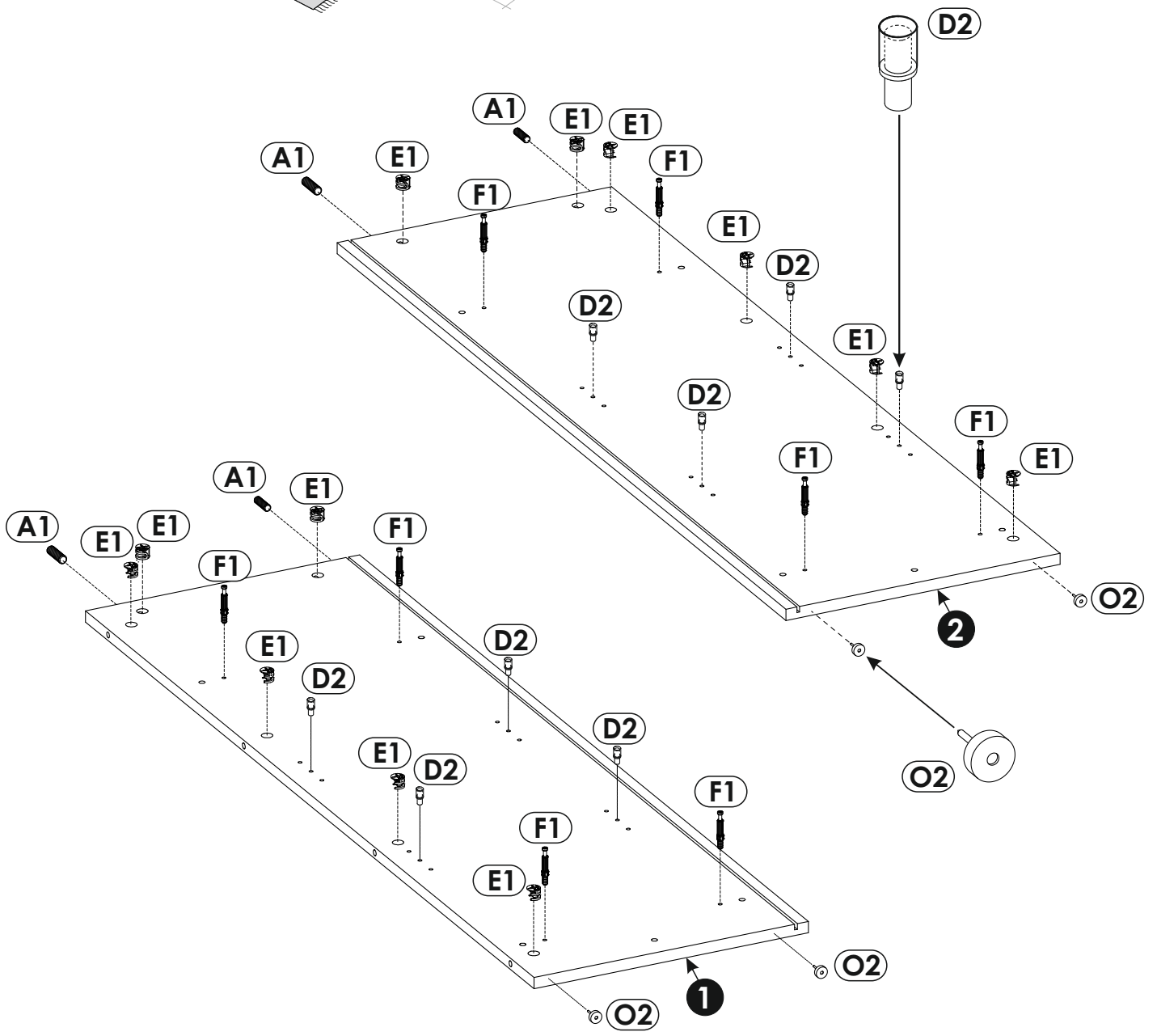
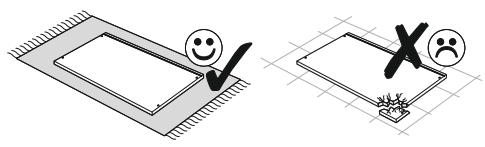
4 ▶



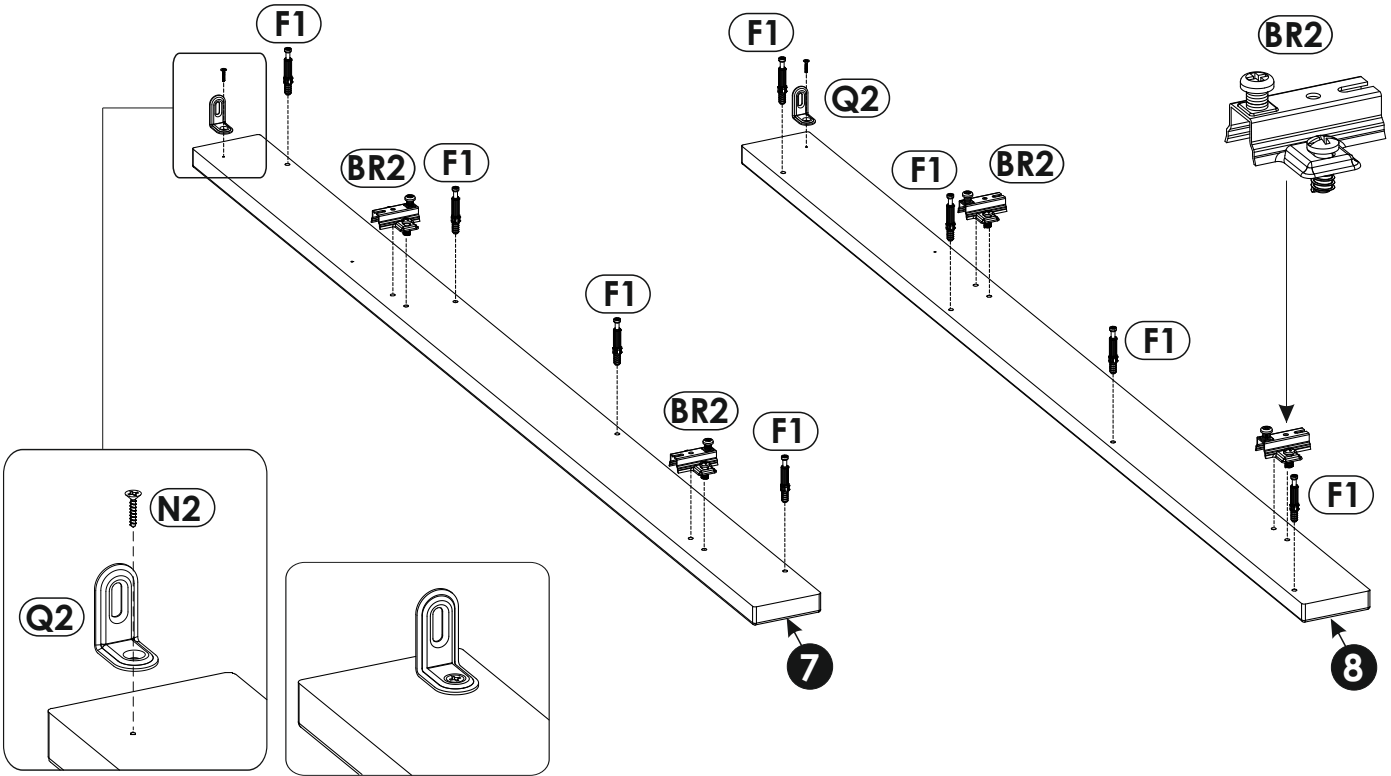
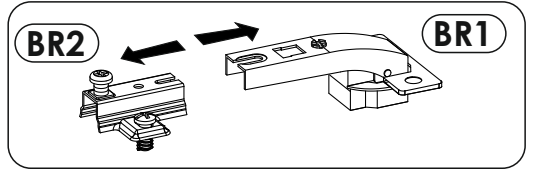
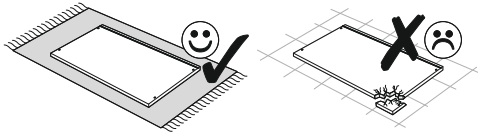
5 ▶



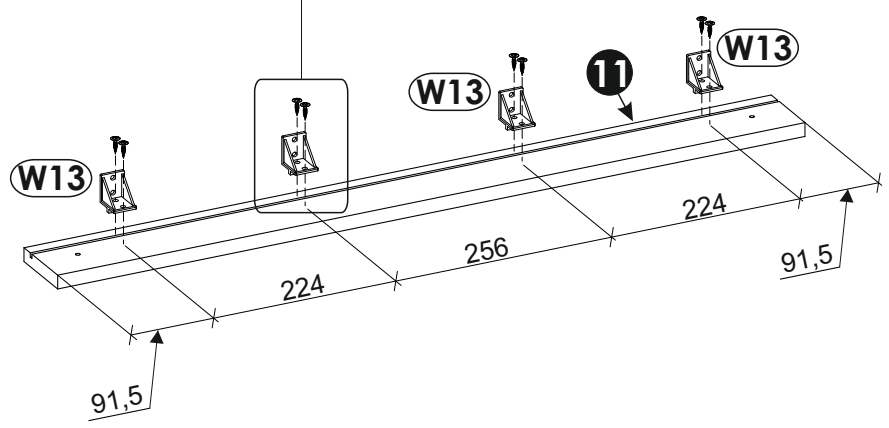
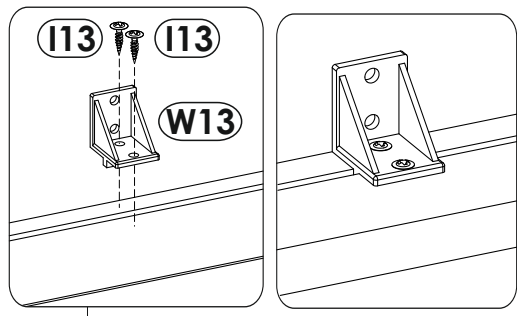
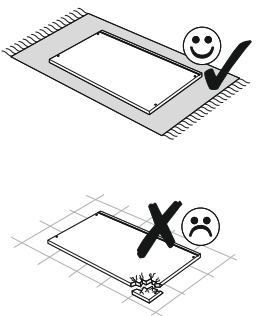
6 ▶



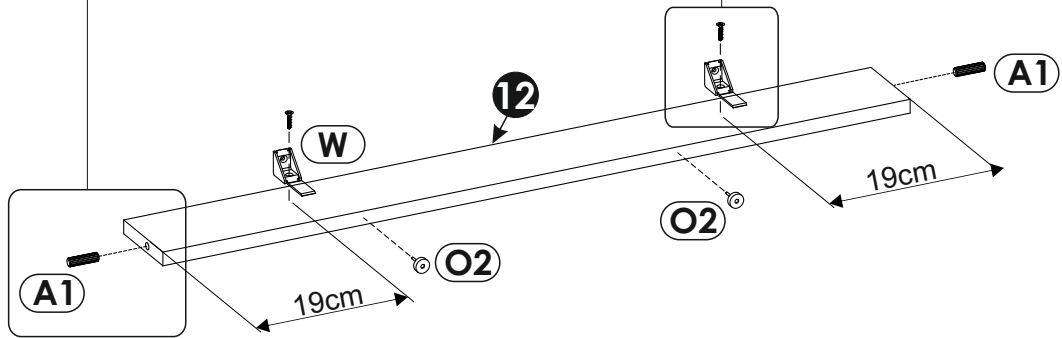
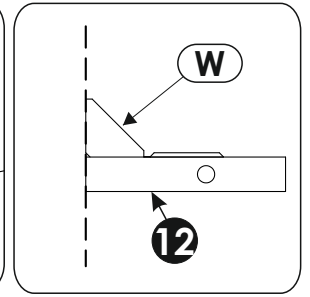
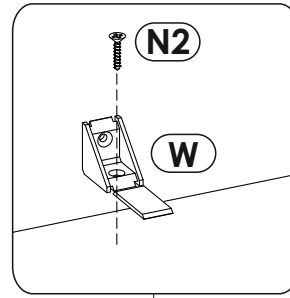
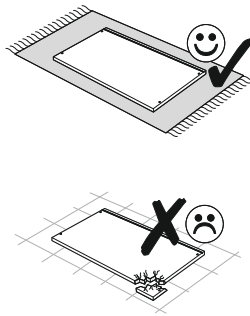
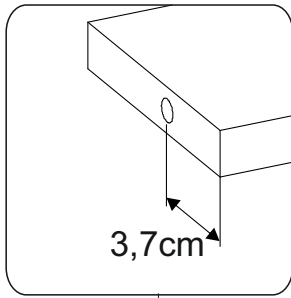
7 ▶



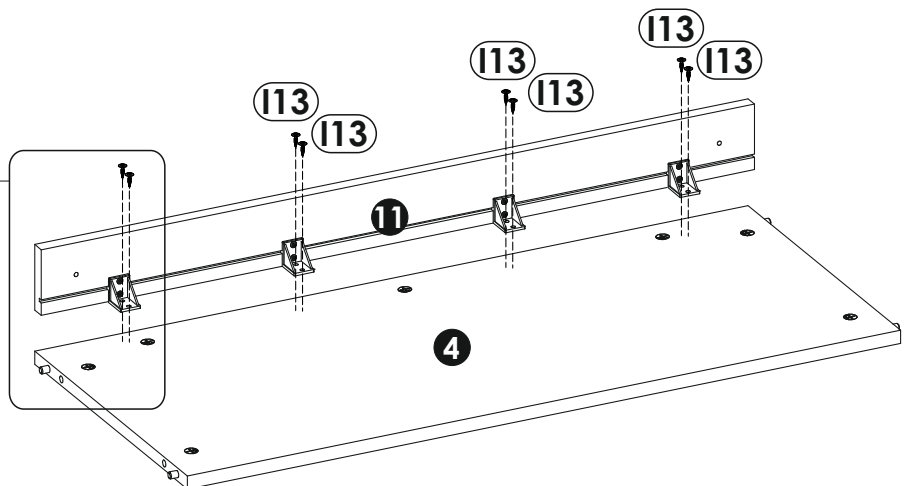
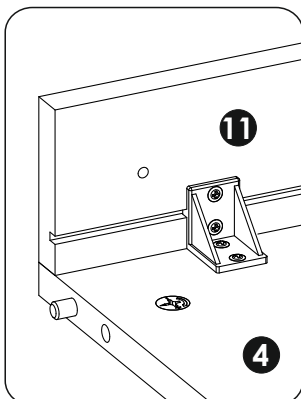
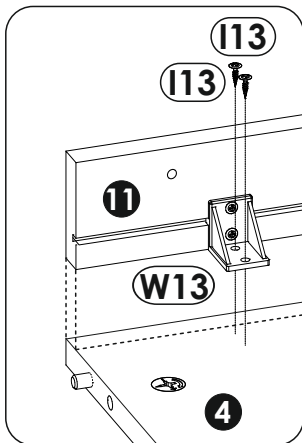
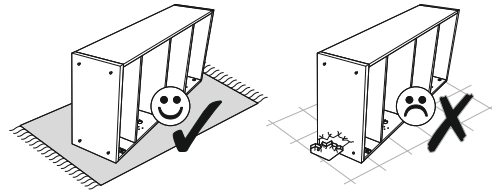
8 ▶



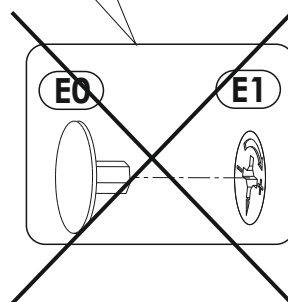
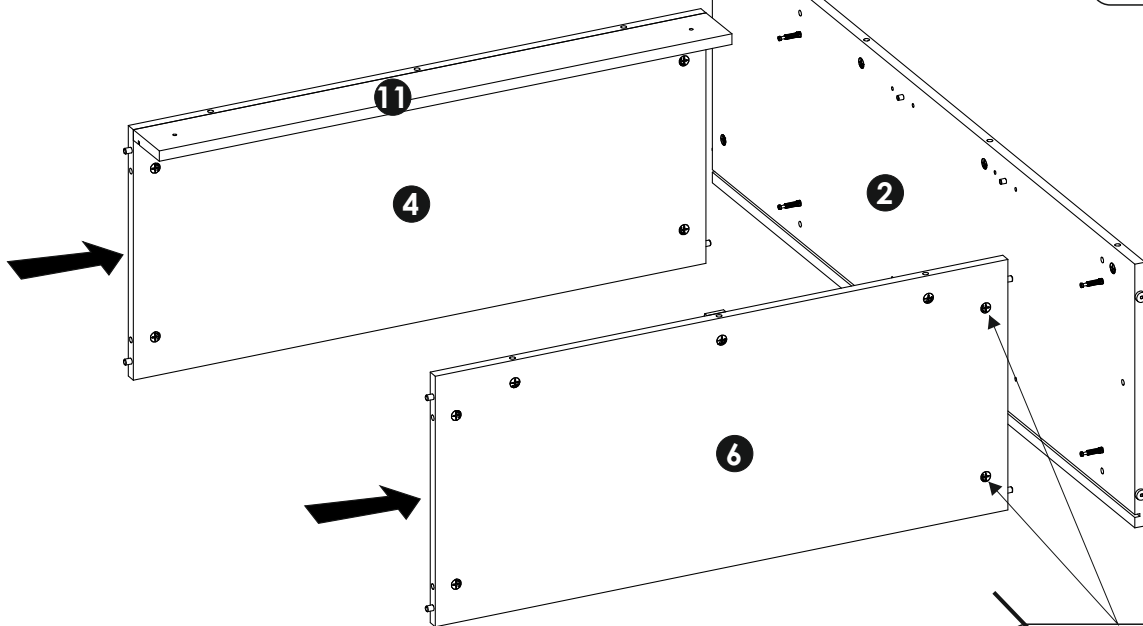
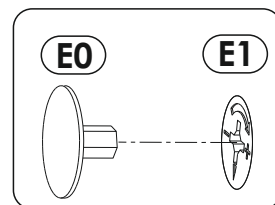
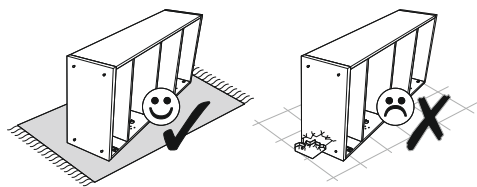
9 ▶



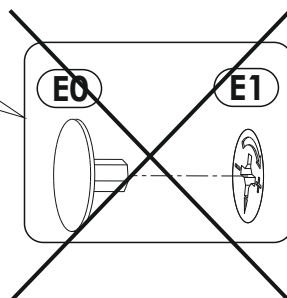
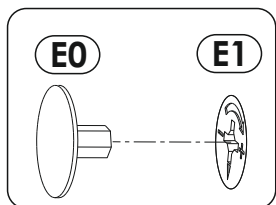
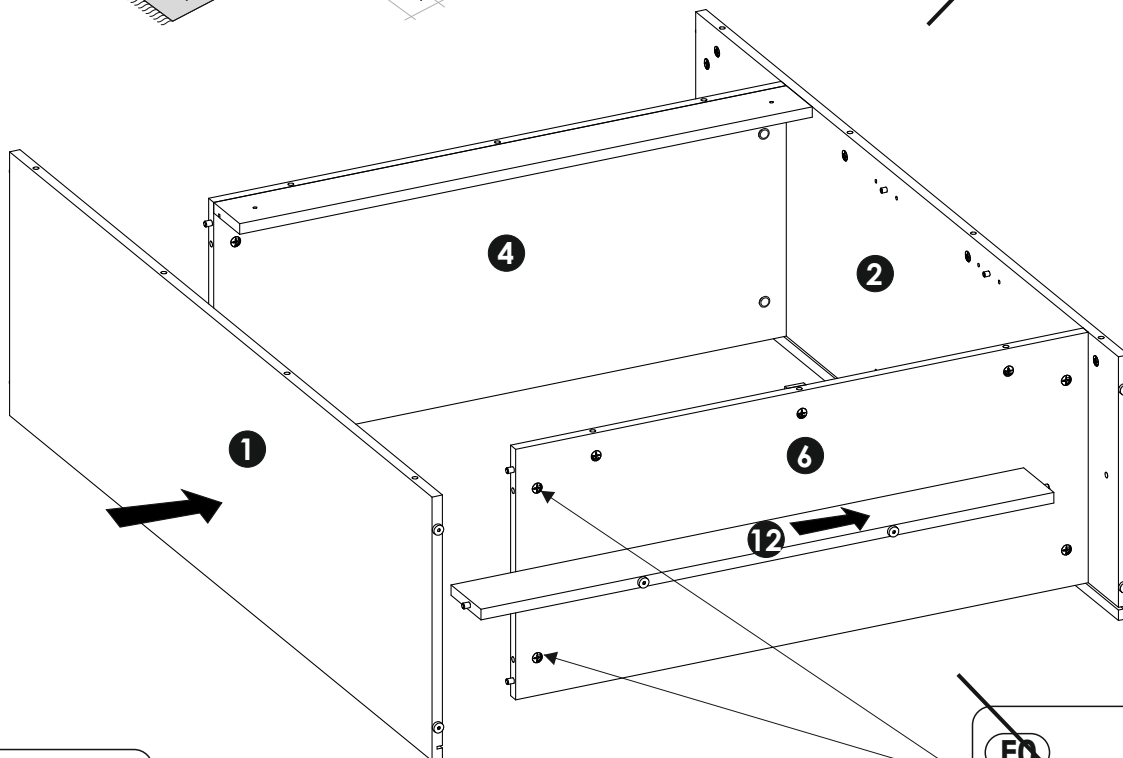
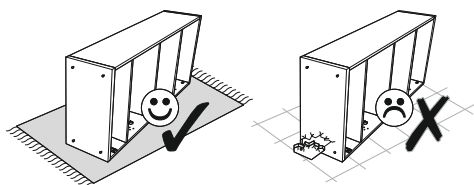
10 ▶



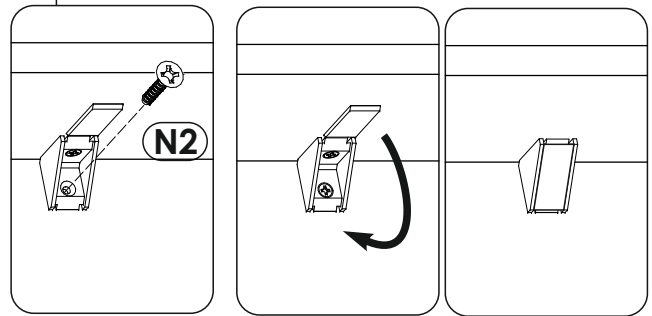
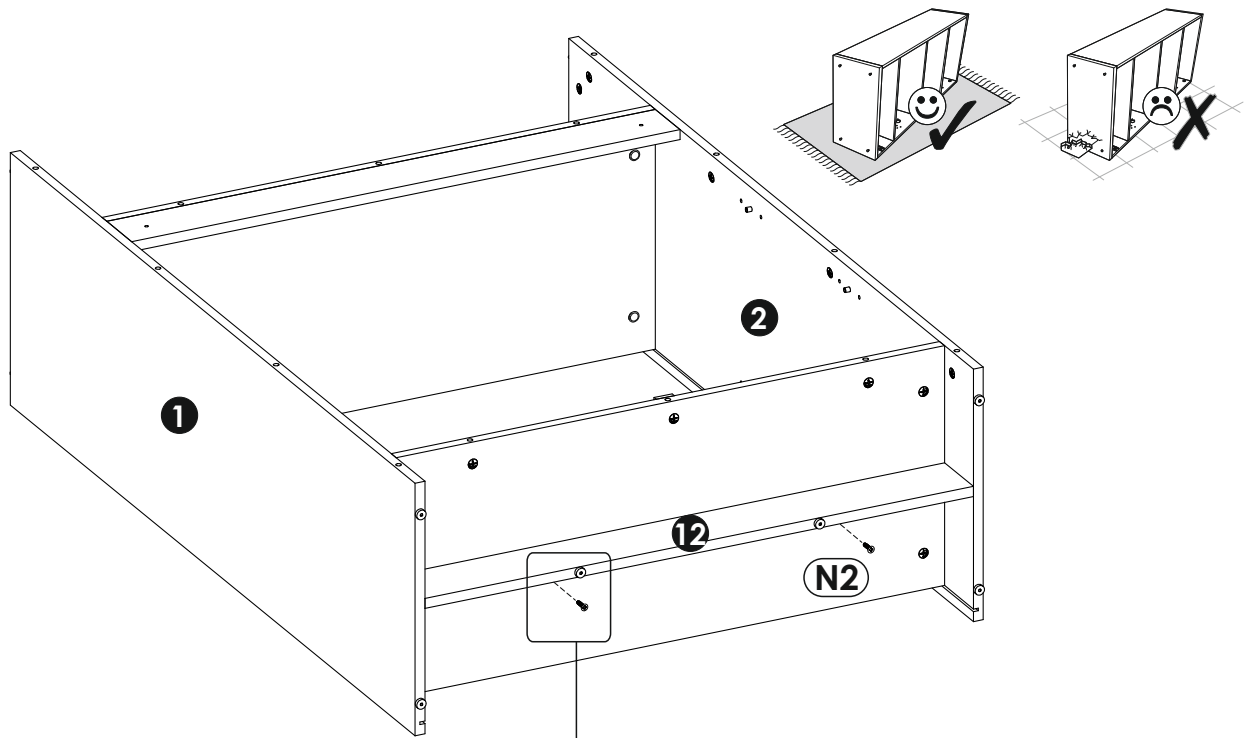
11 ▶



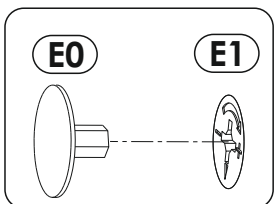
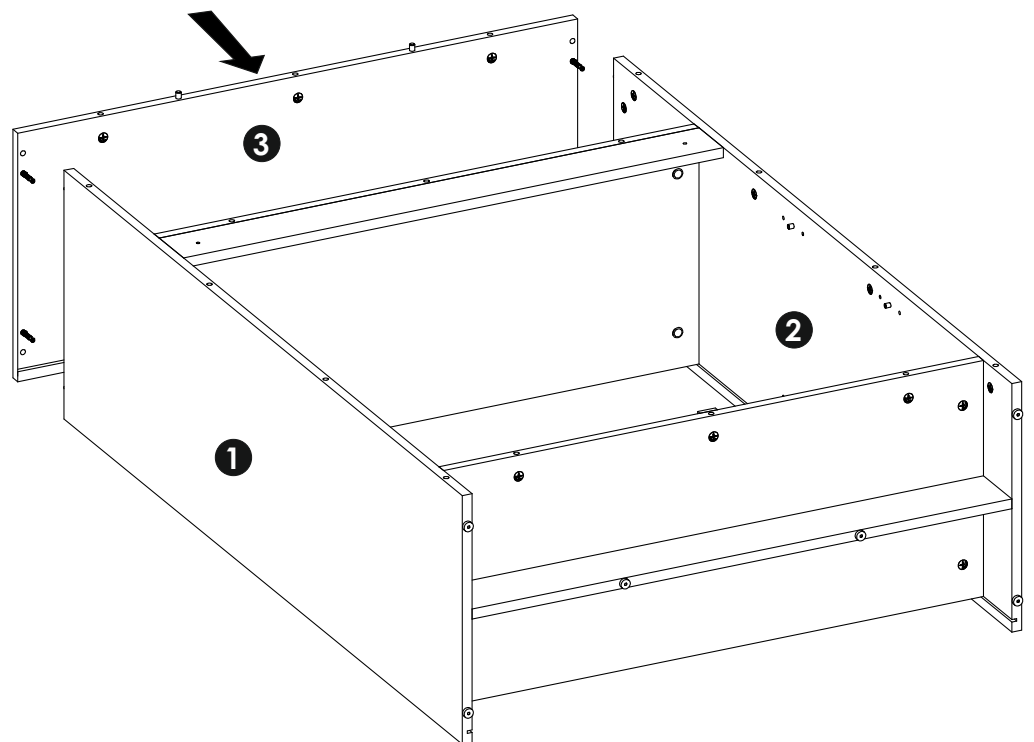
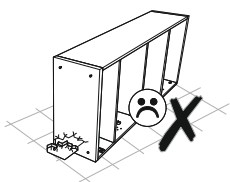
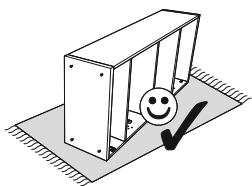
12 ▶



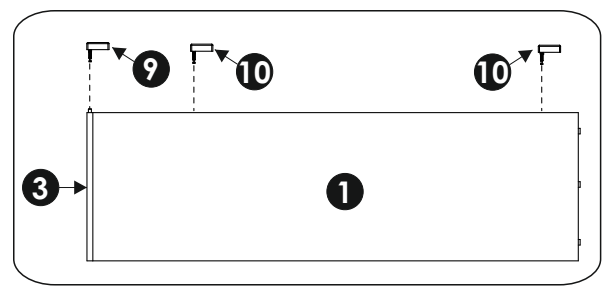
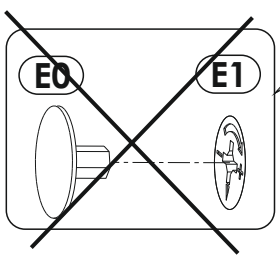
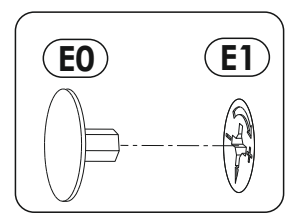
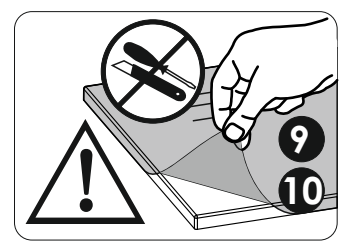
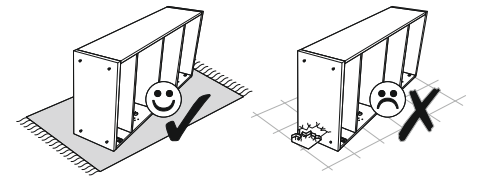
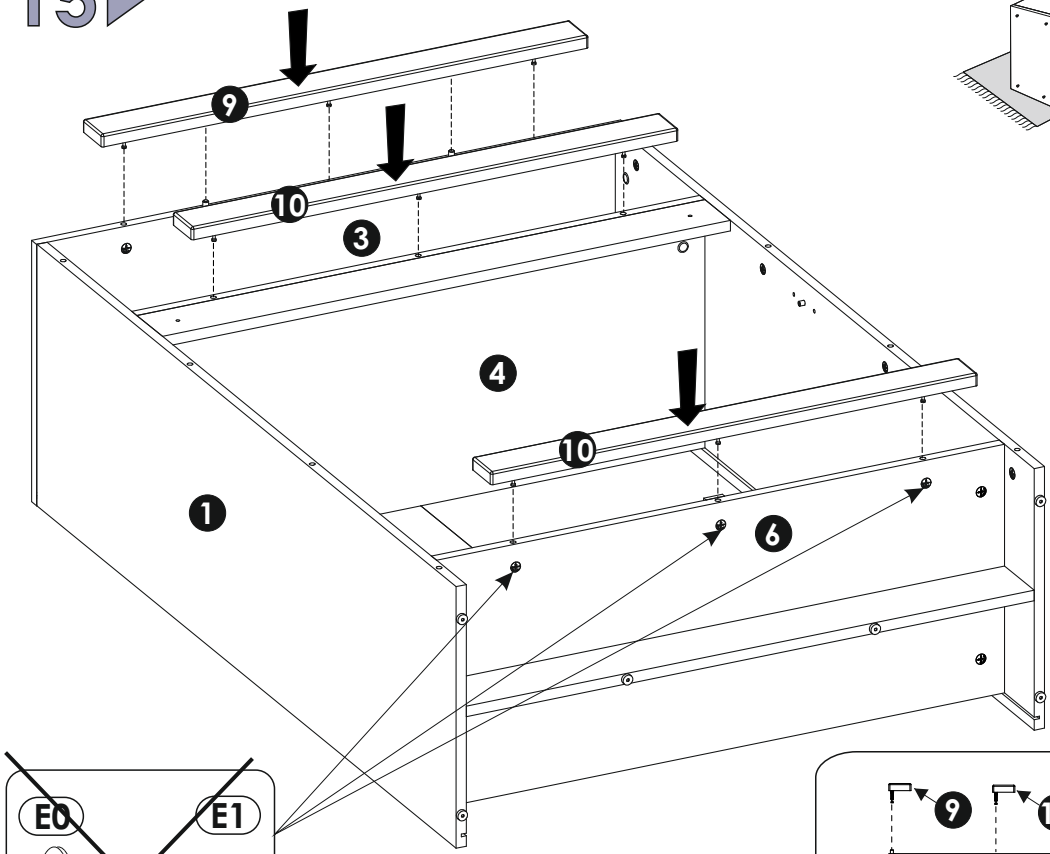
13 ▶



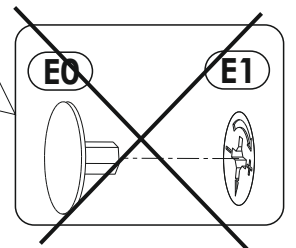
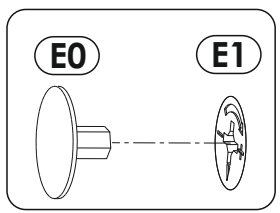
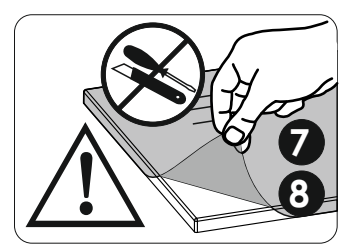
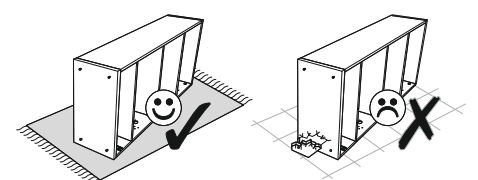
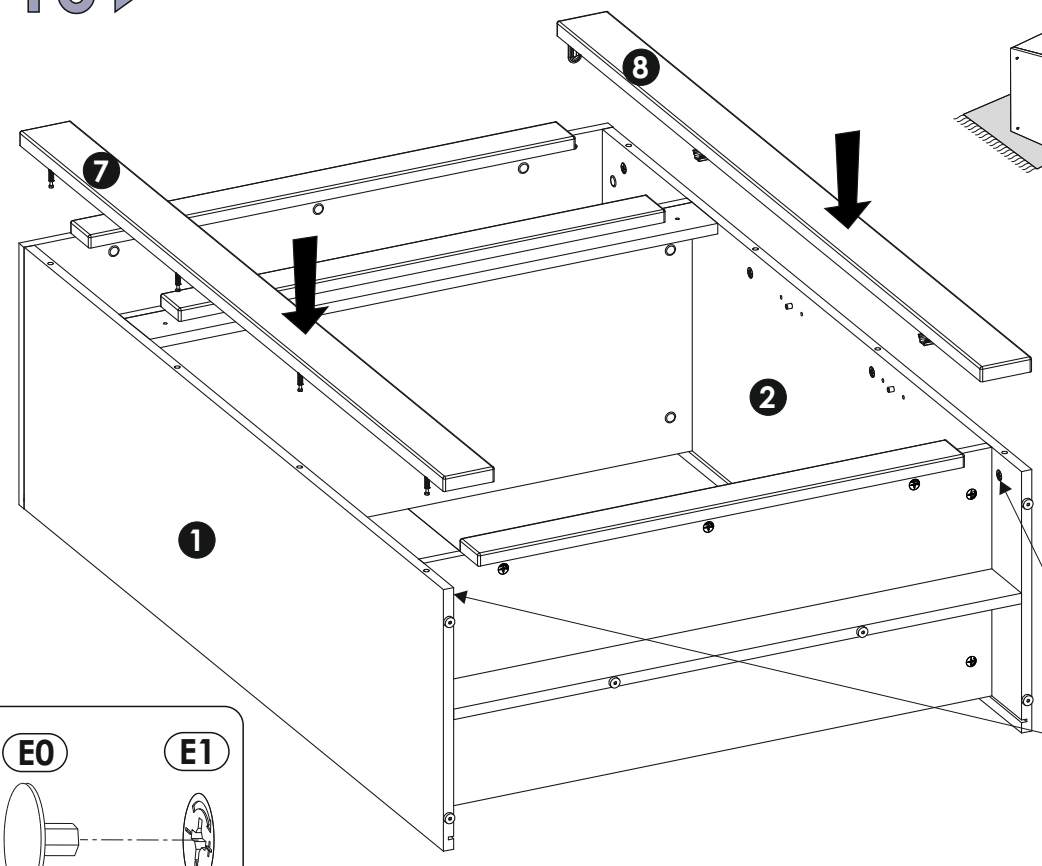
14 ▶



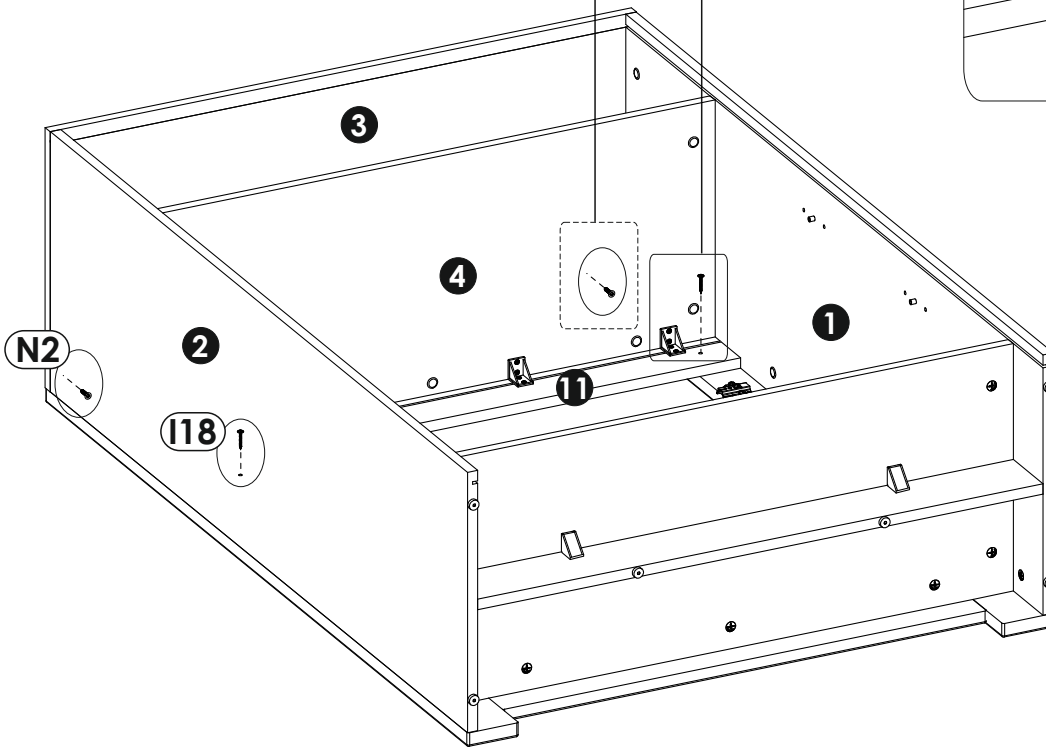
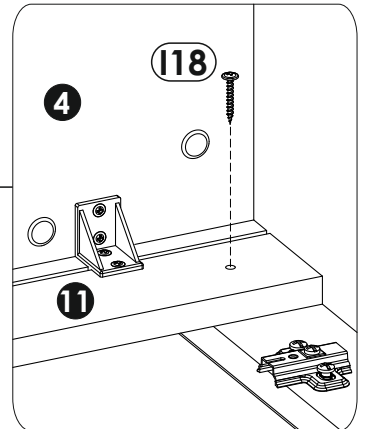
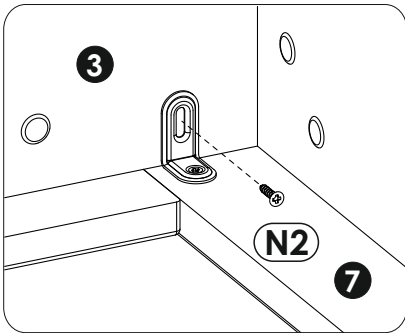
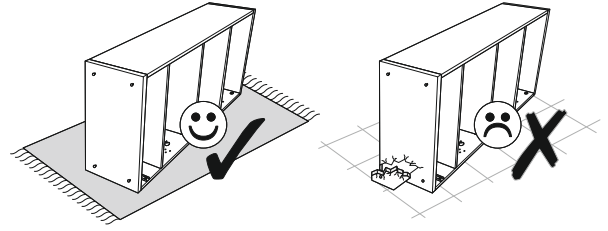
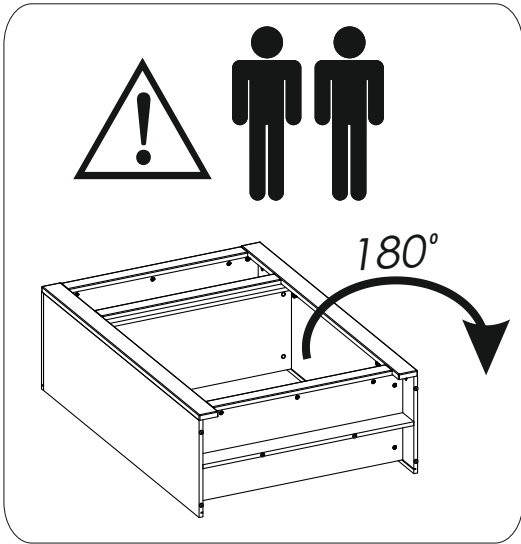
15 ▶



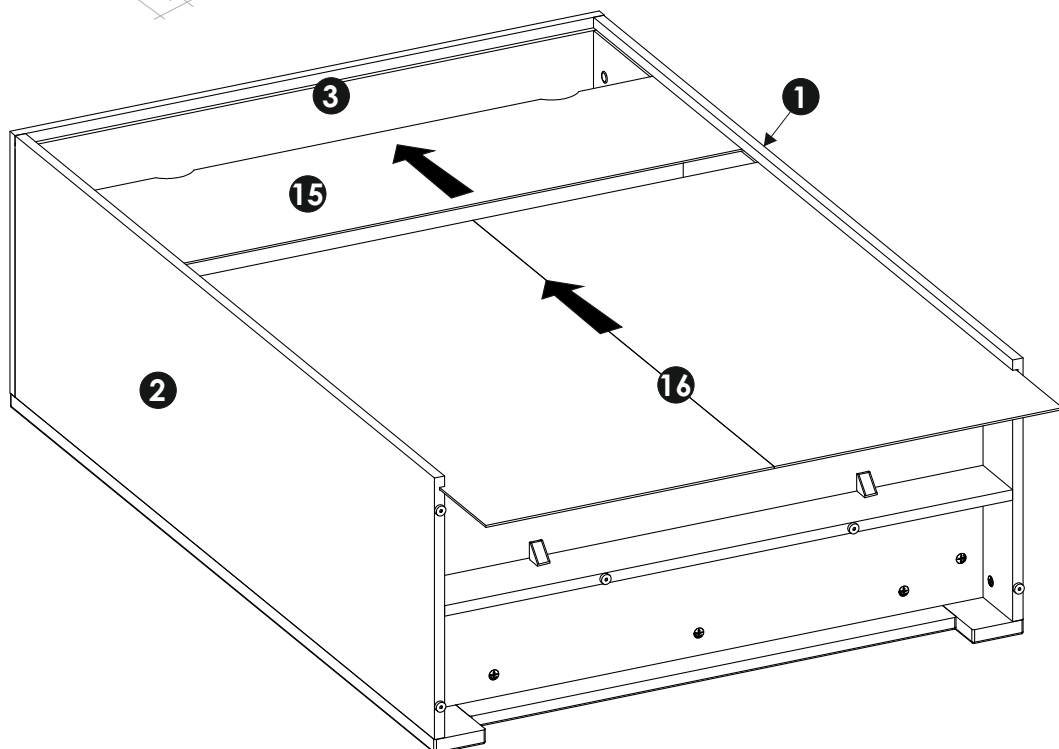
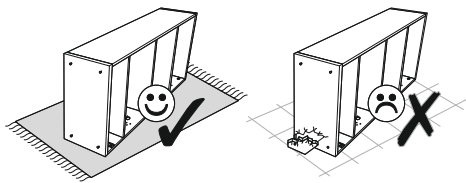
16 ▶



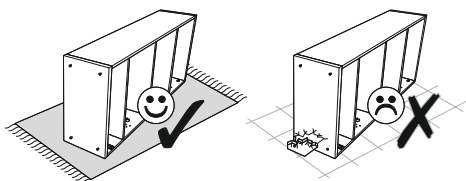
17 ▶



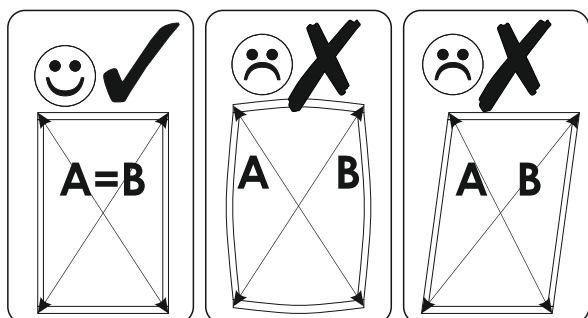
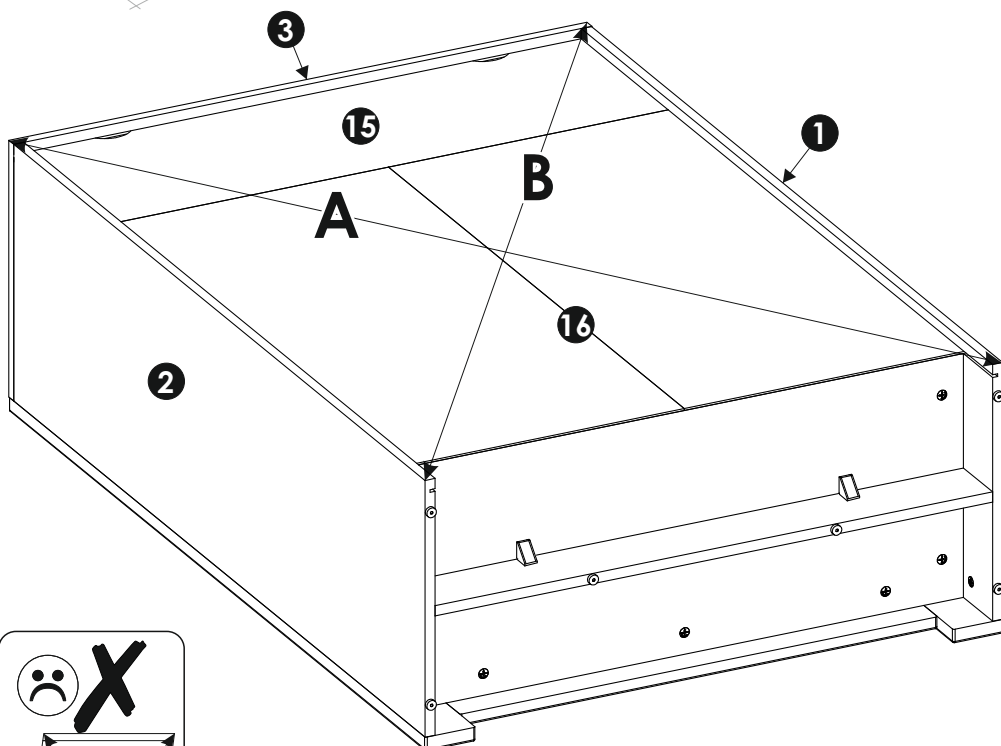
18 ▶



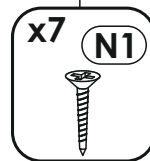
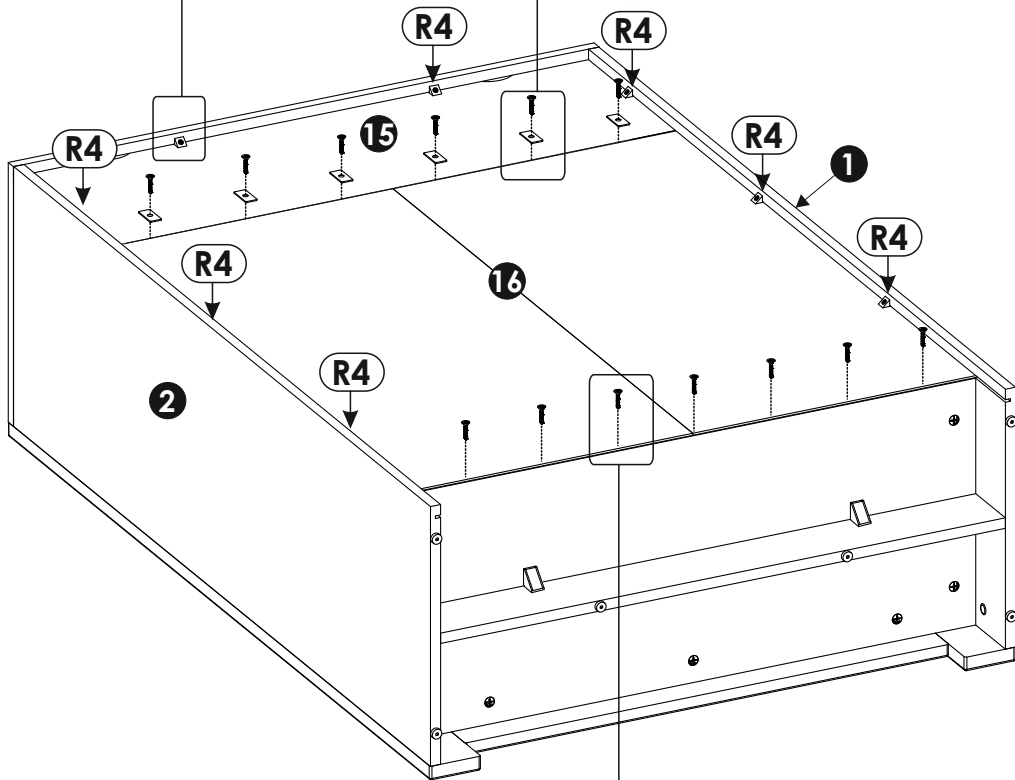
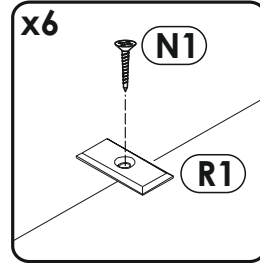
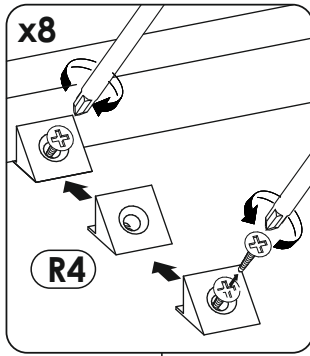
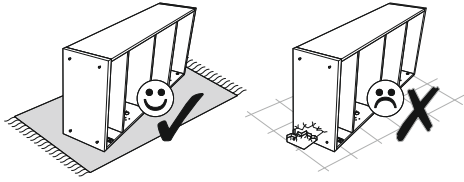
19 ▶



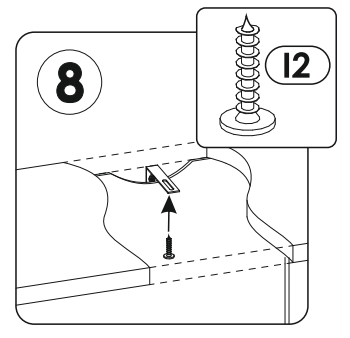
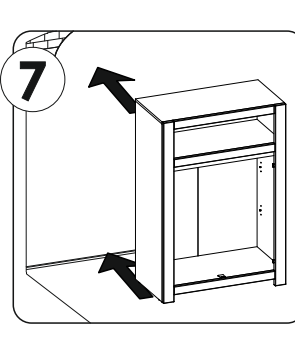
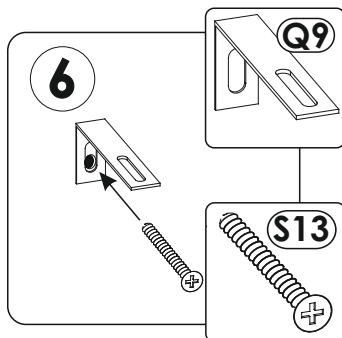
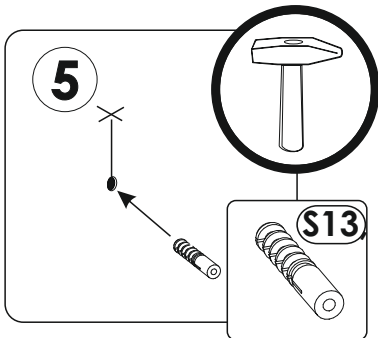
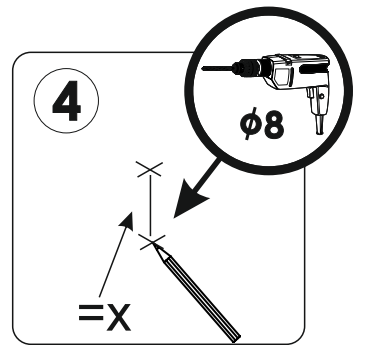
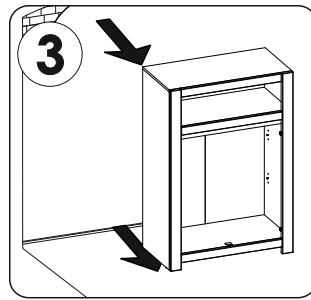
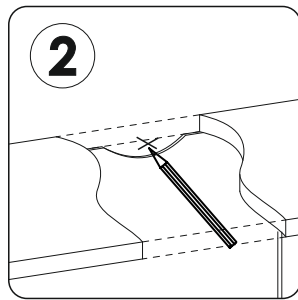
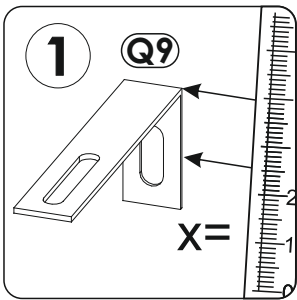
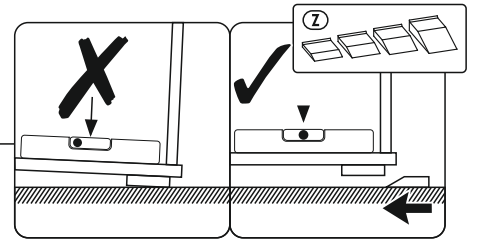
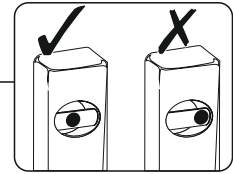
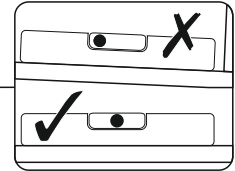
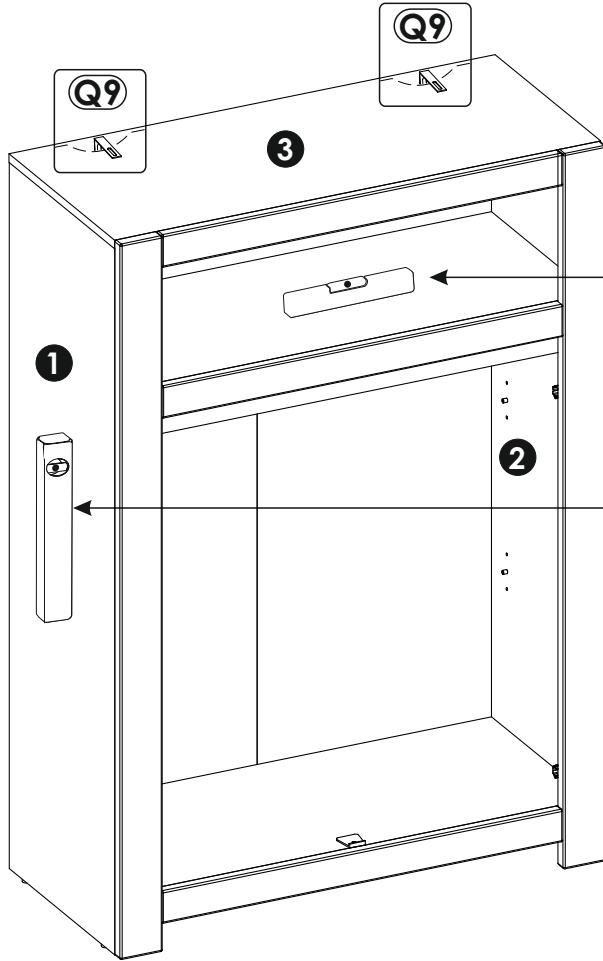
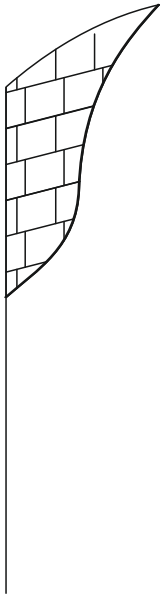
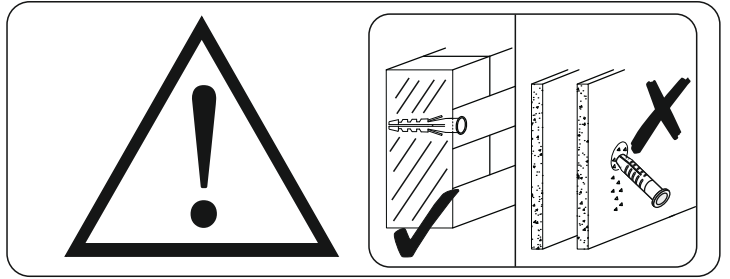
A=B



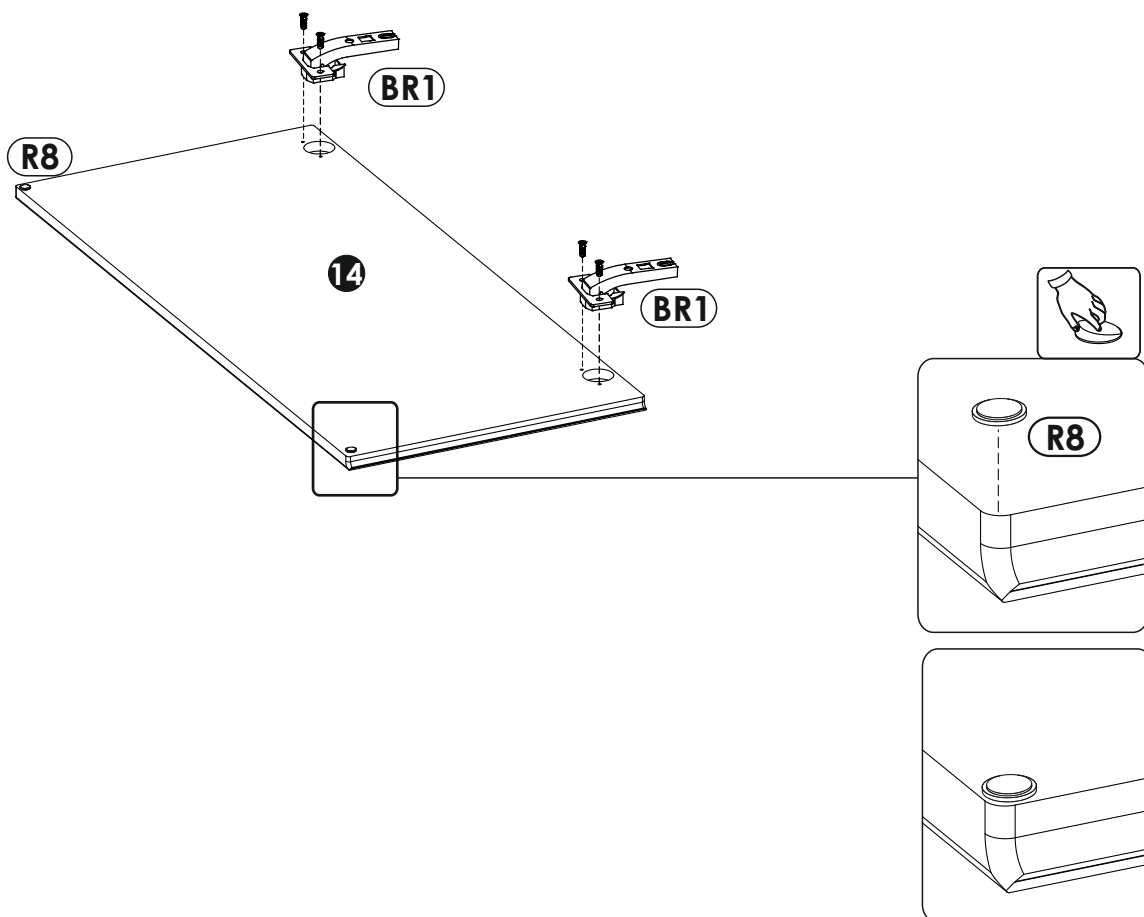
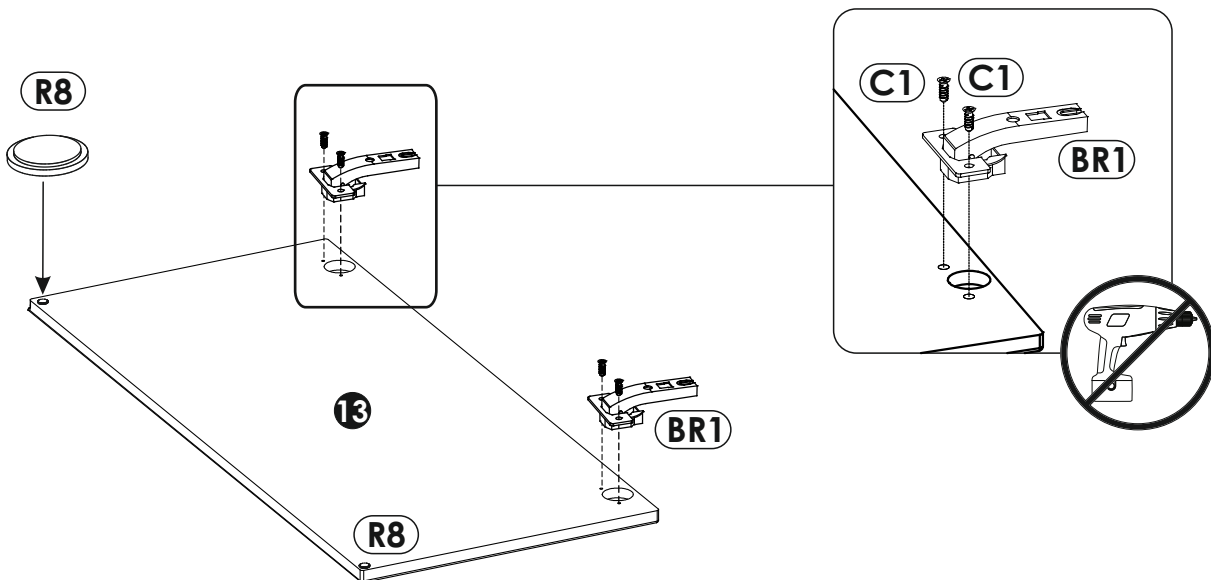
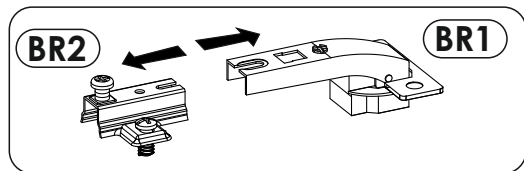
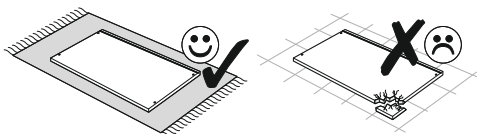
20 ▶



21 ▶



22 ▶



23 ▶

