
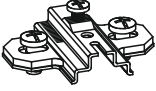


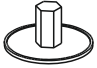







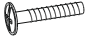
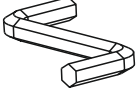

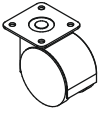
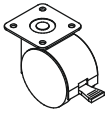



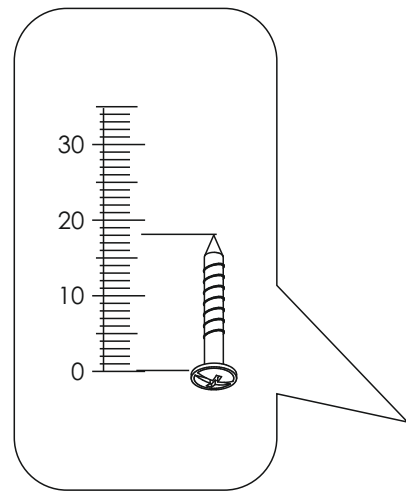
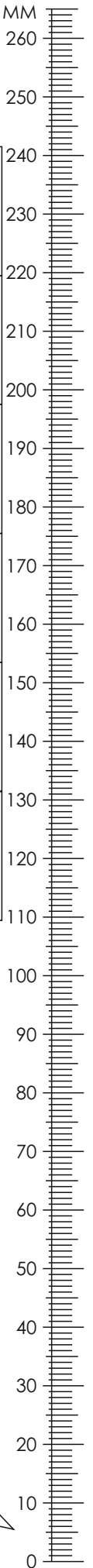
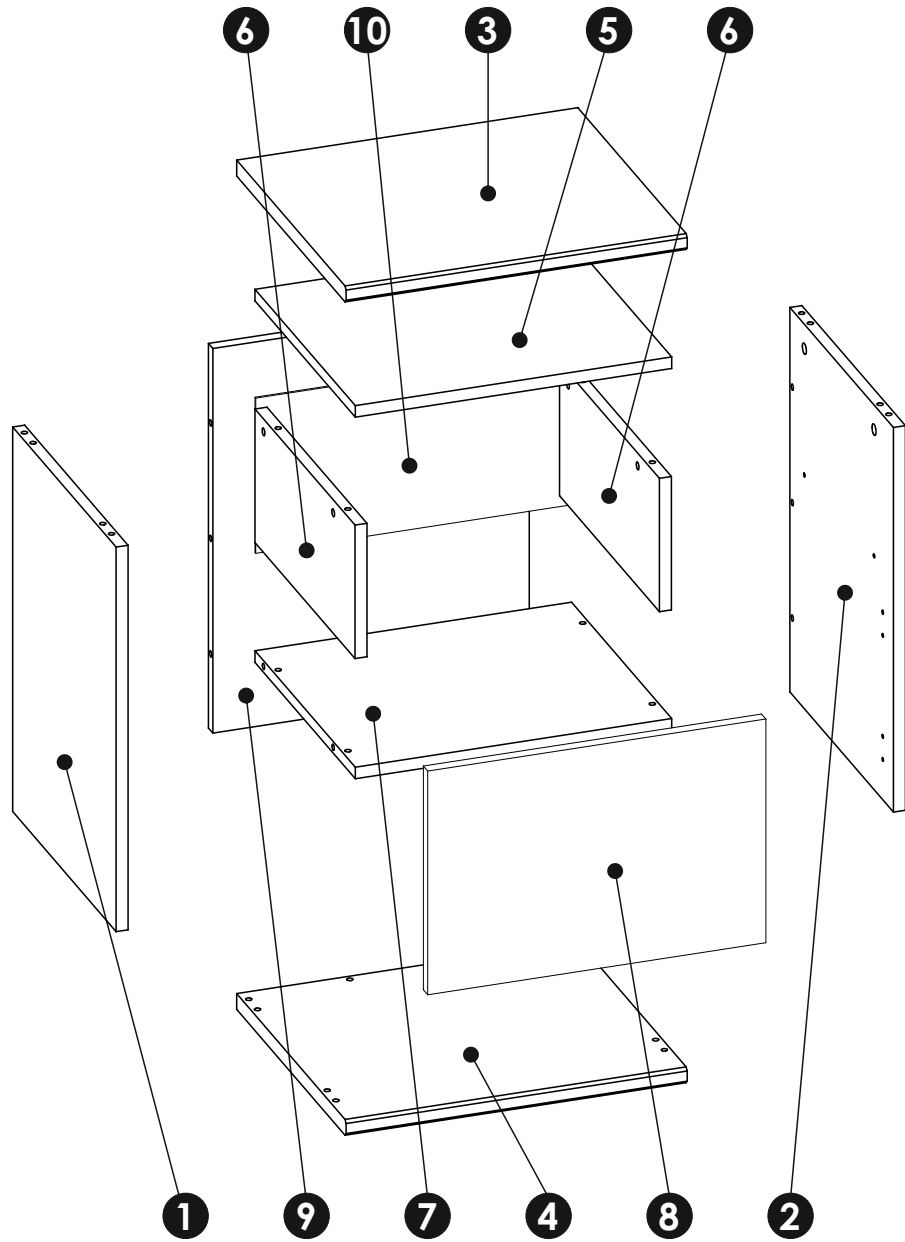
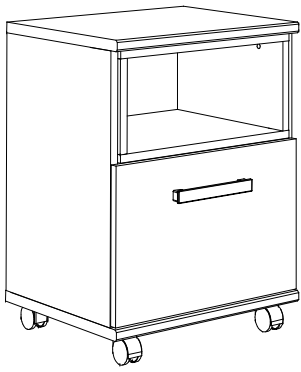


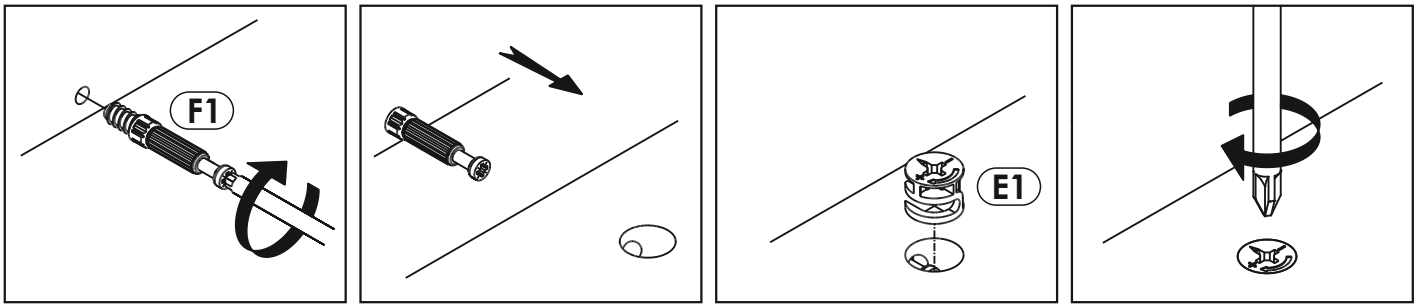
A1 x26 $\varnothing 8 \times 35$ mm 	B0 x2 	B1 x2 
C1 x4 EURO 4 x 13 mm 	E0 x4 	E1 x8 $\varnothing 15 \times 12$ mm 
F1 x8 	G0 x6 	G1 x4 $\varnothing 7 \times 50$ mm 
G2 x4 $\varnothing 7 \times 60$ mm 	H1 x1 	I2 x16 4 x 16 mm 
K3 x2 M4 x 22 mm 	M x1 	N1 x10 3 x 16 mm 
O14 x2 	O16 x2 	P0 x6 $\varnothing 5$ 
P14 x4 $\varnothing 10$ 	R8 x2 	



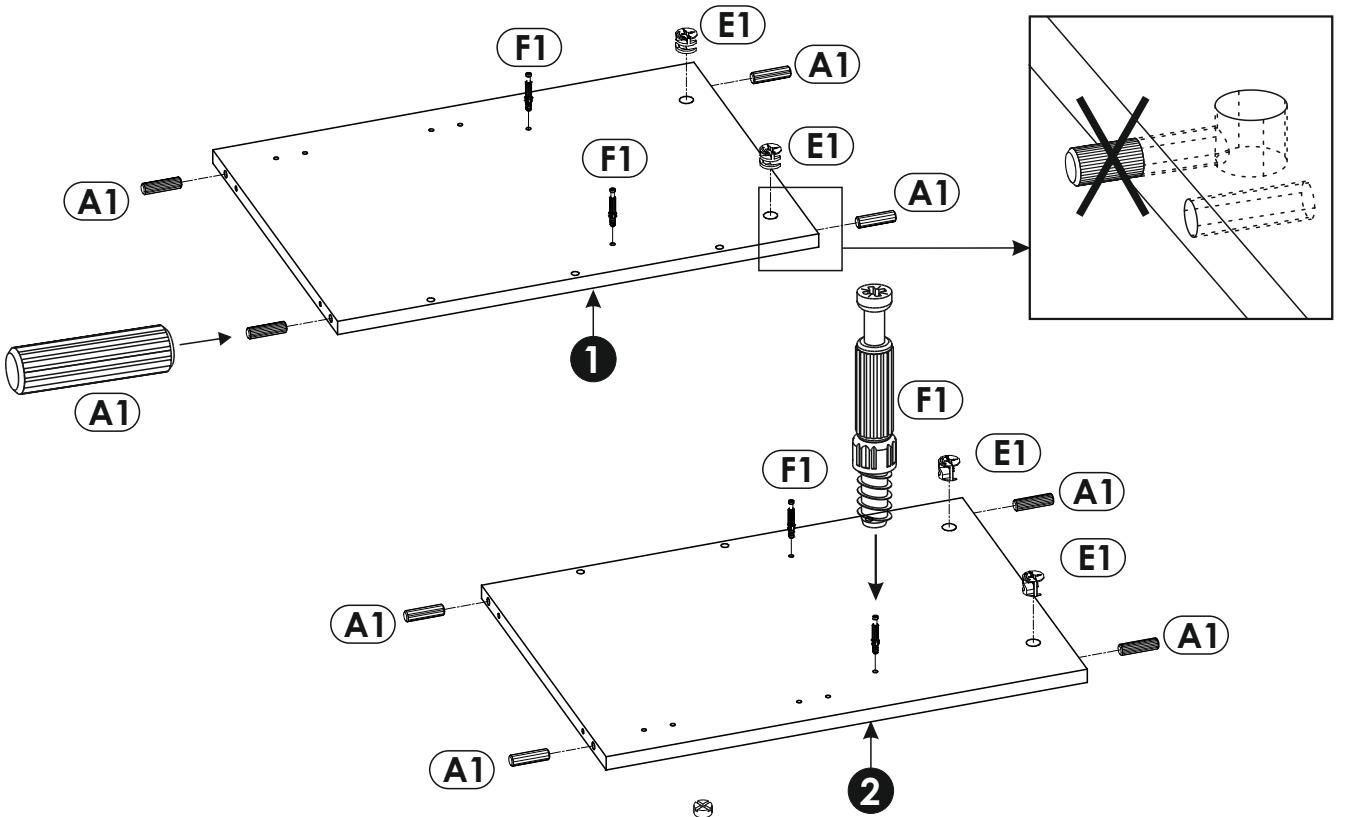


1	533	434	16	x1	1/1
2	533	434	16	x1	1/1
3	456	456	22	x1	1/1
4	456	456	22	x1	1/1
5	423	422	16	x1	1/1

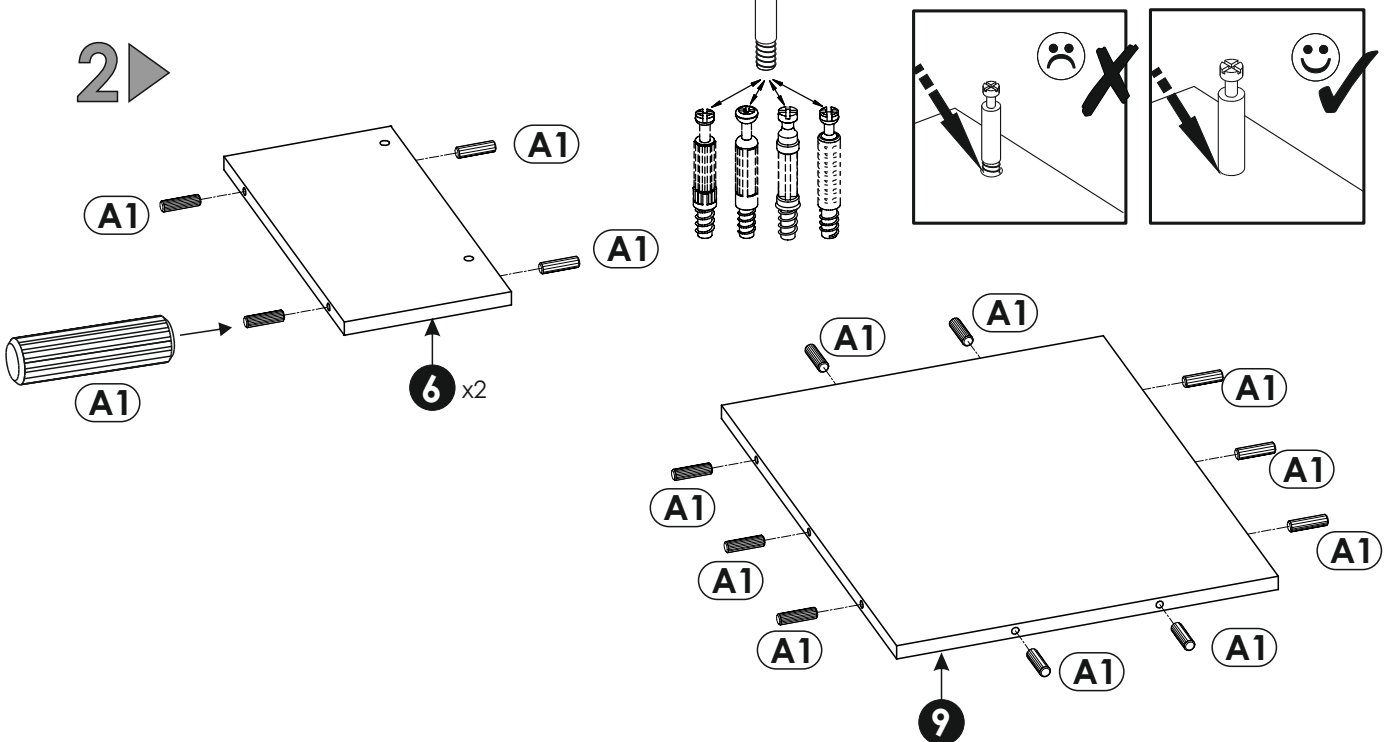
6	185	421	16	x2	1/1
7	423	422	16	x1	1/1
8	452	310	16	x1	1/1
9	423	533	16	x1	1/1
10	421	215	3	x1	1/1



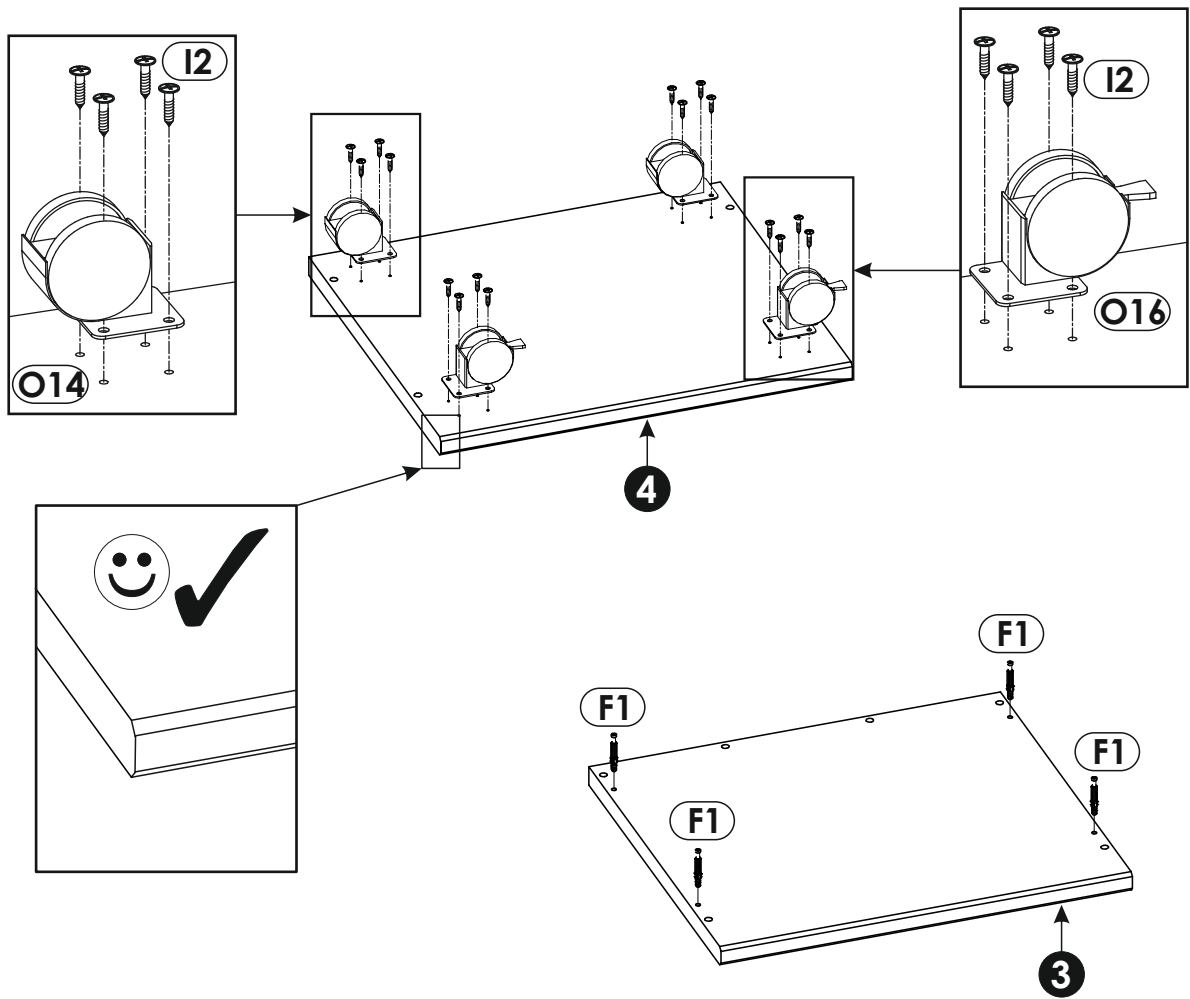
1 ▶



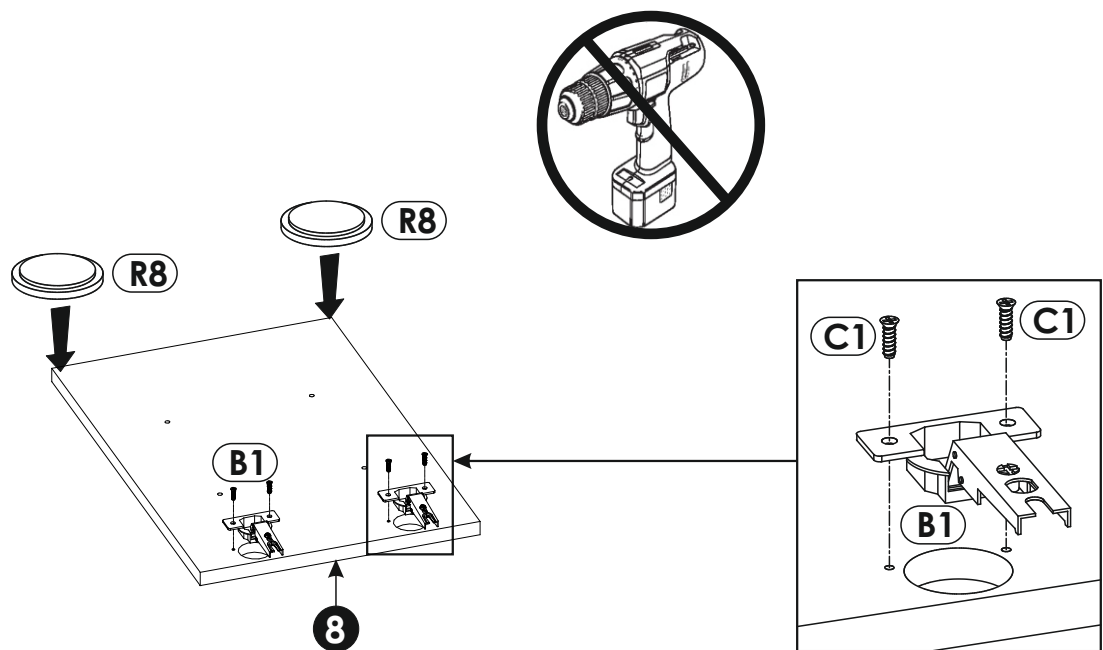
2 ▶



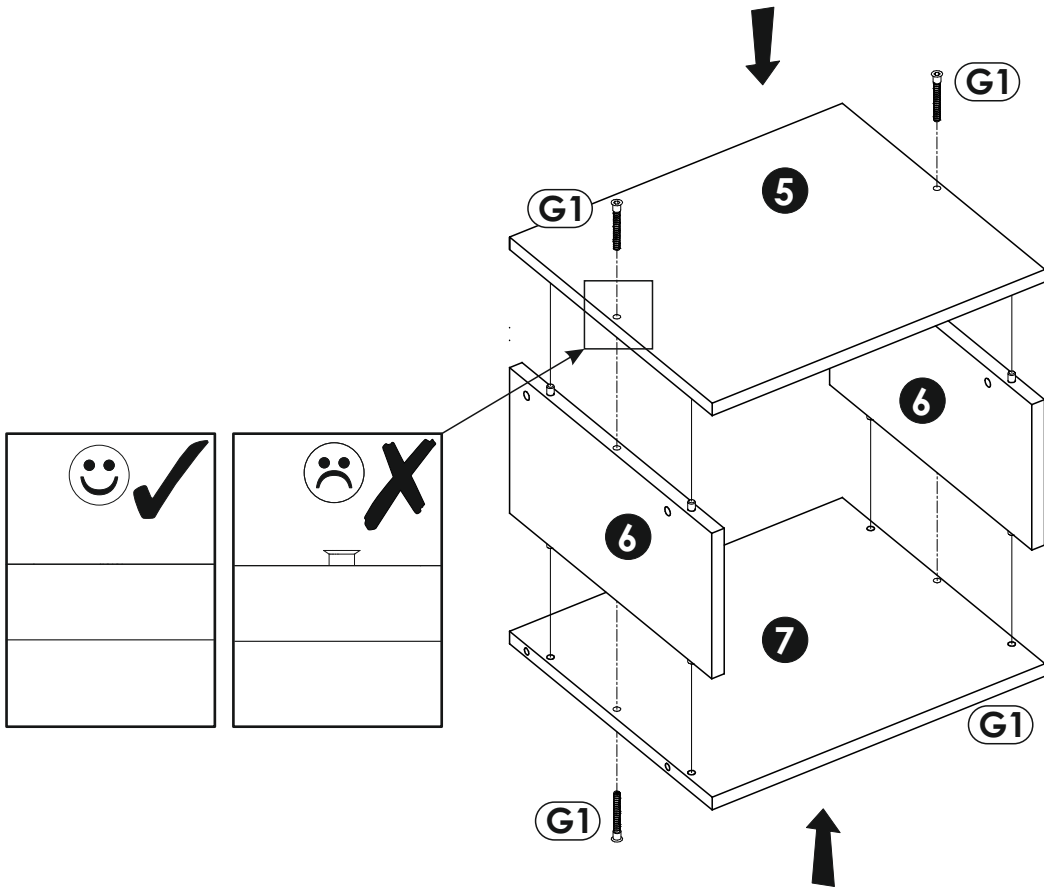
3 ▶



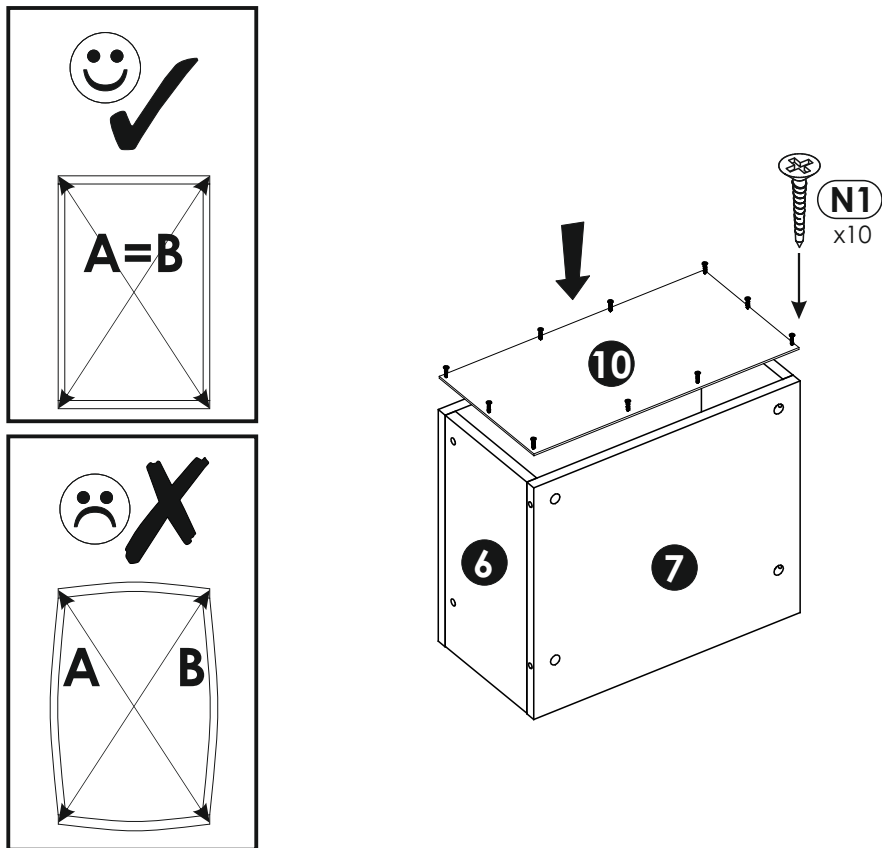
4 ▶



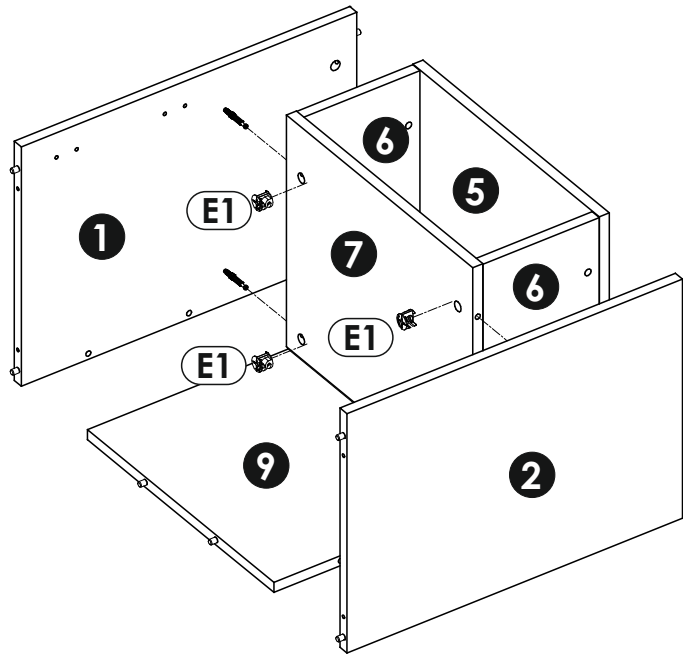
5 ▶



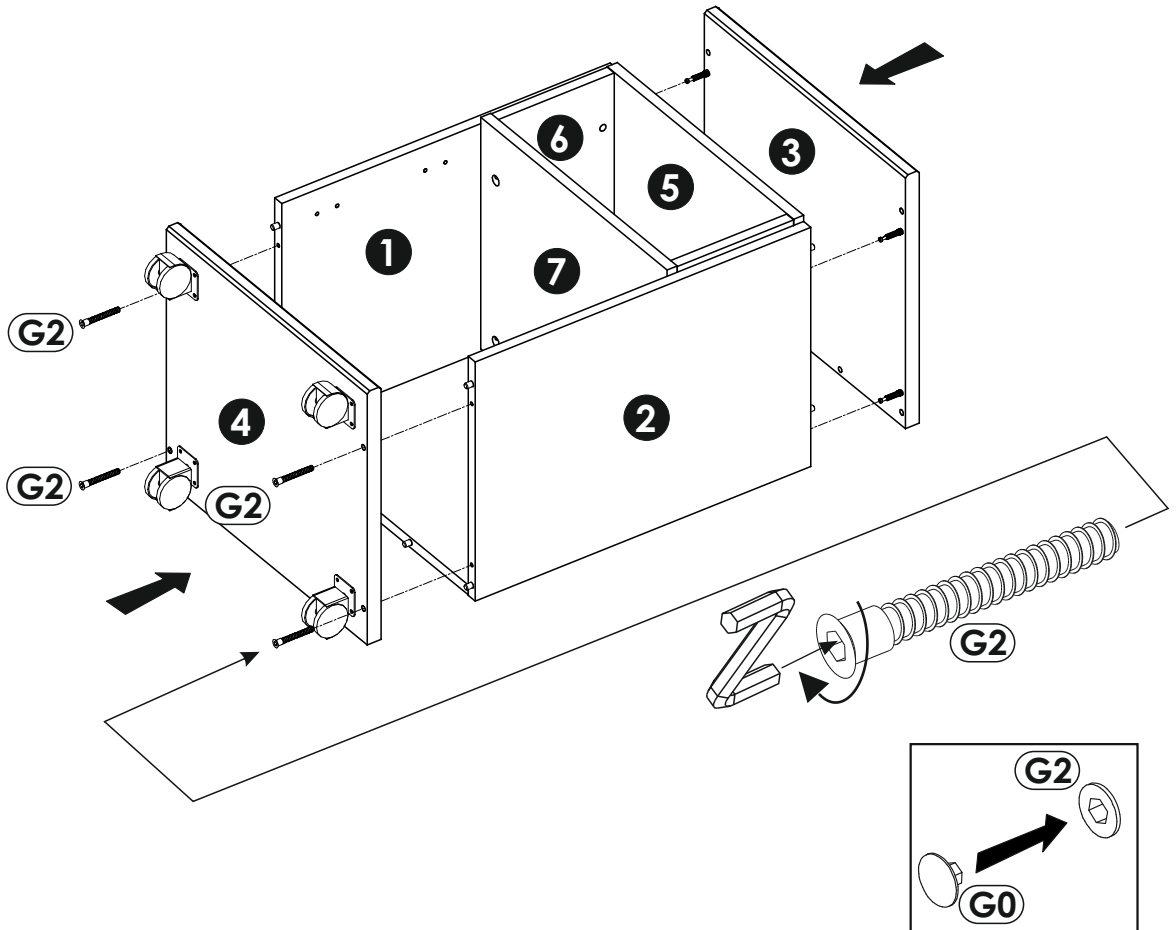
6 ▶

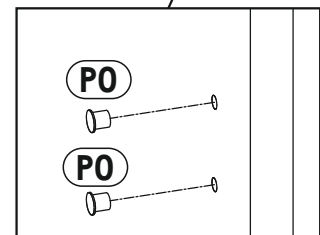
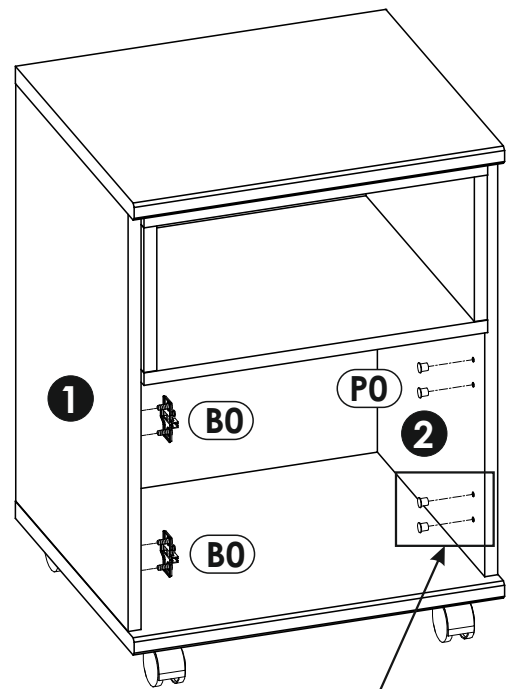
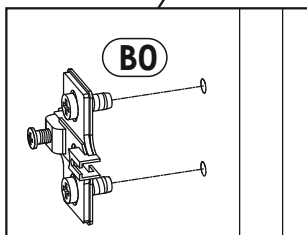
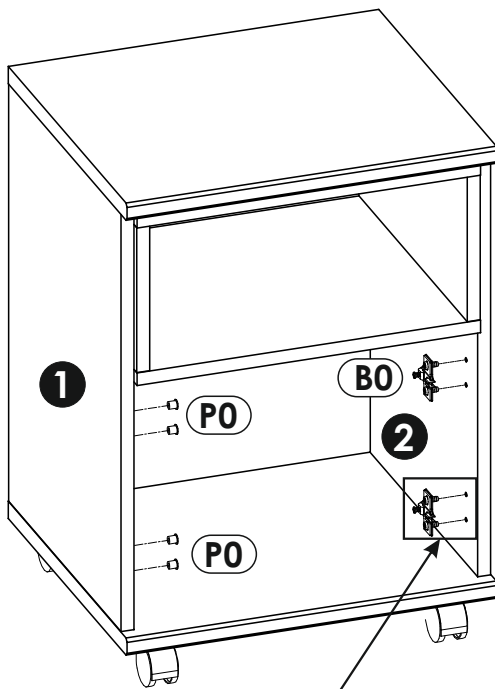
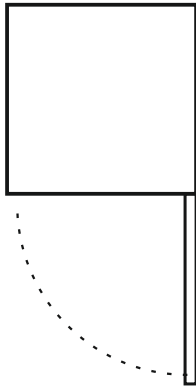


7 ▶



8 ▶





10 ▶

