


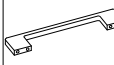

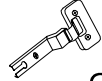
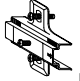

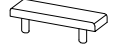



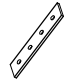
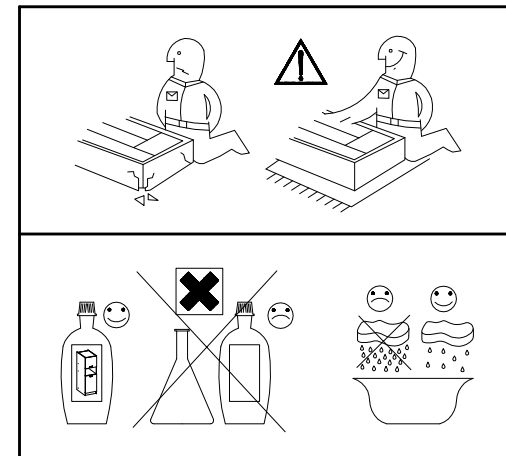
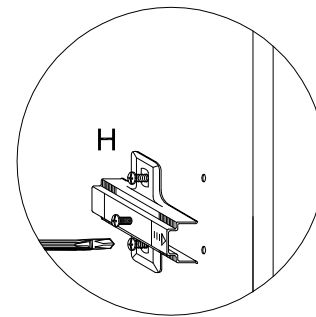
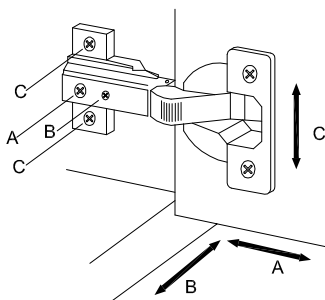
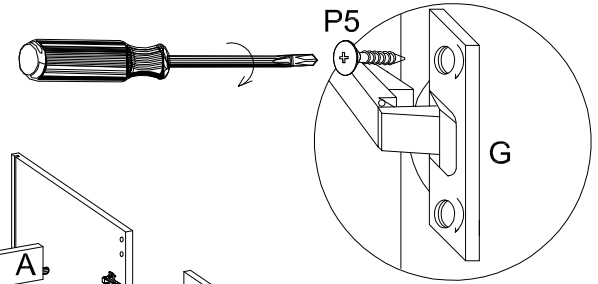
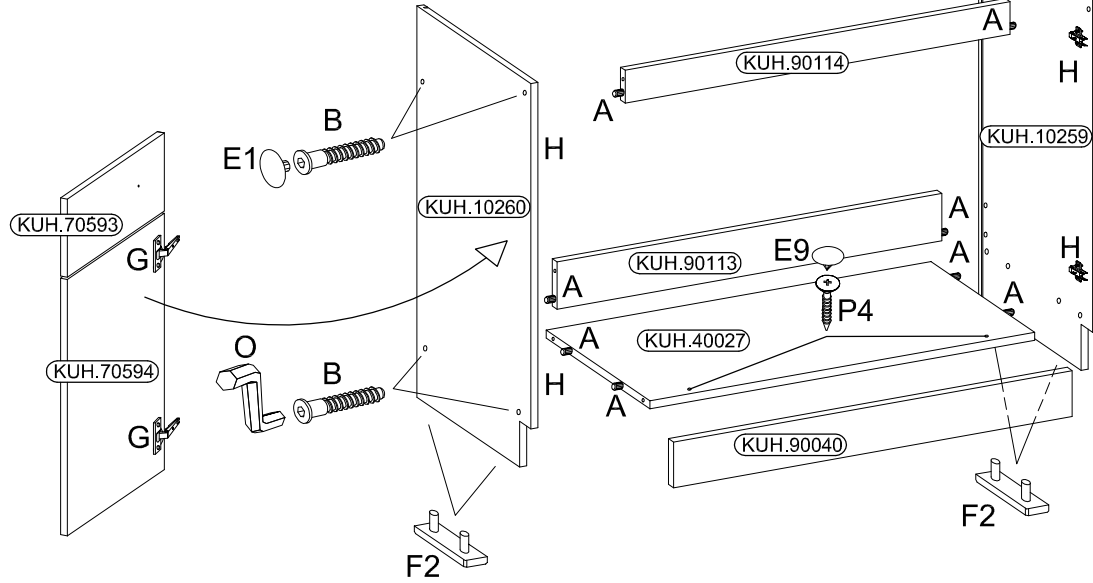
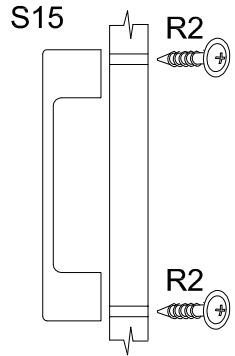
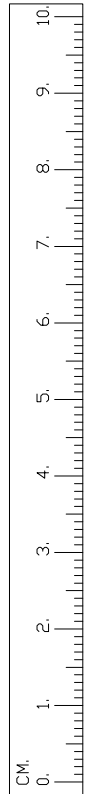
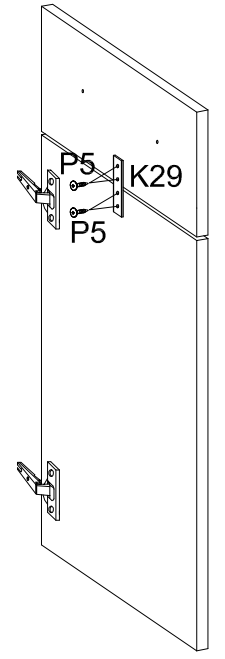
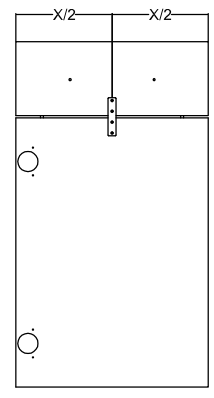
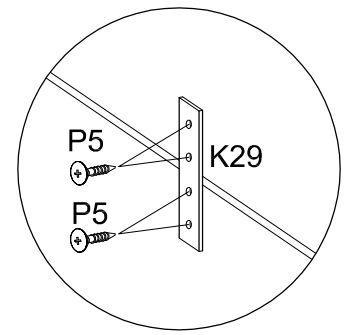
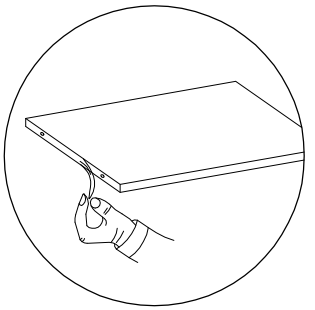
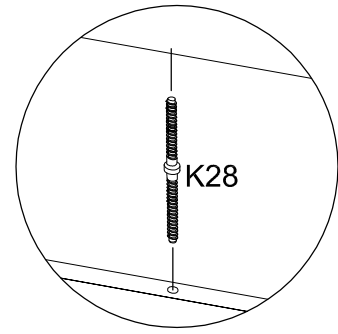
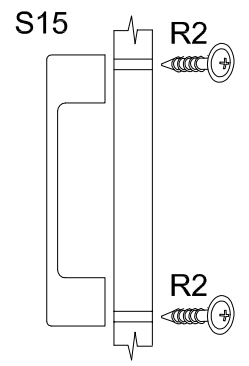
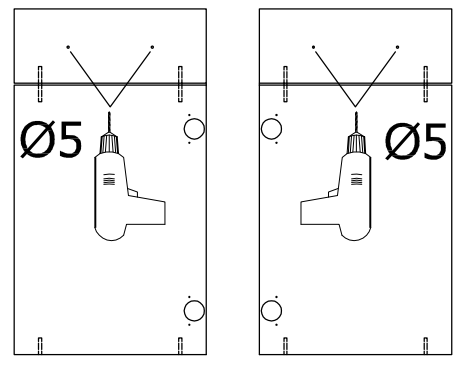
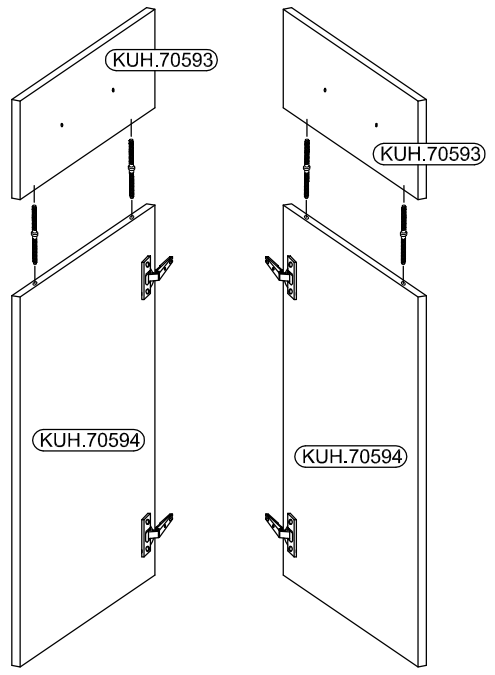
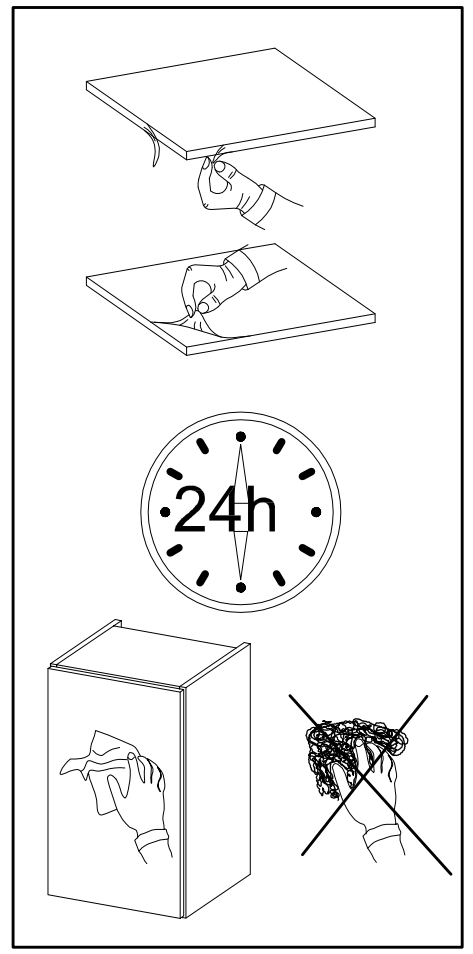
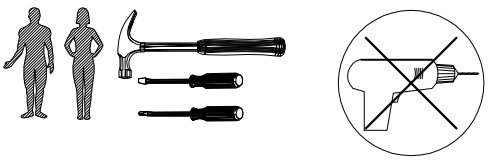
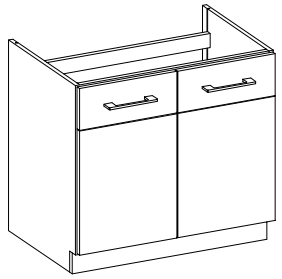
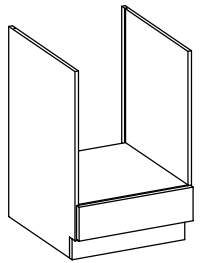






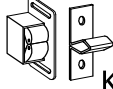
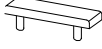

 B 8	 E1 8	 A 8	 O 1	 S15 2	 R2 4	 G 4	 H 4	 P5 16	 F2 4	 P4 2	 E9 2
 K28 4	 K29 2										

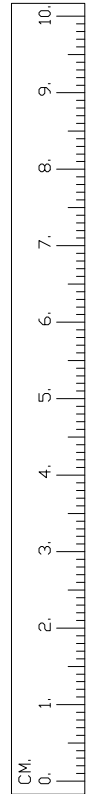
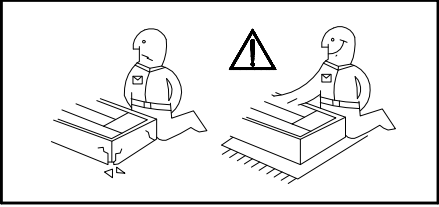


80 ZL 2F BB

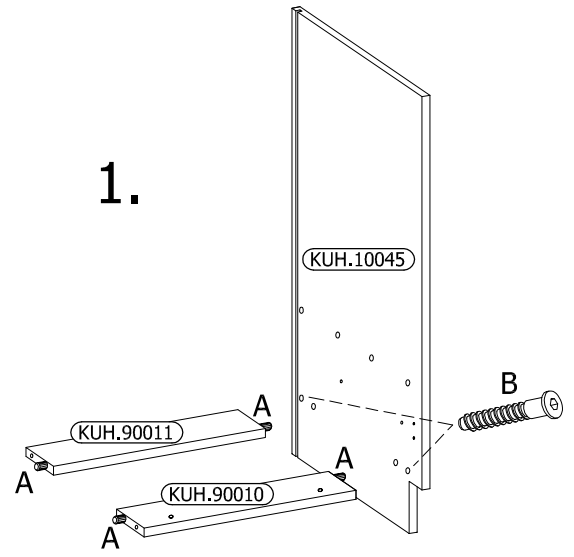




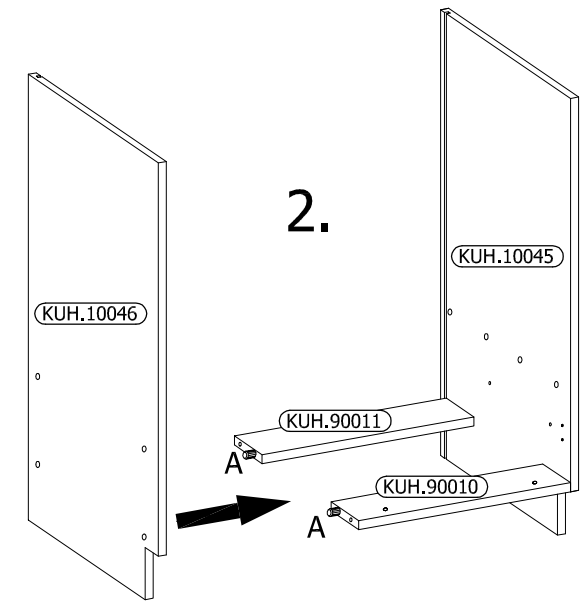
 B	 E1	 A	 O	 P5	 P7	 K27	 F2	 P4
8	8	8	1	8	8-10	2	4	2



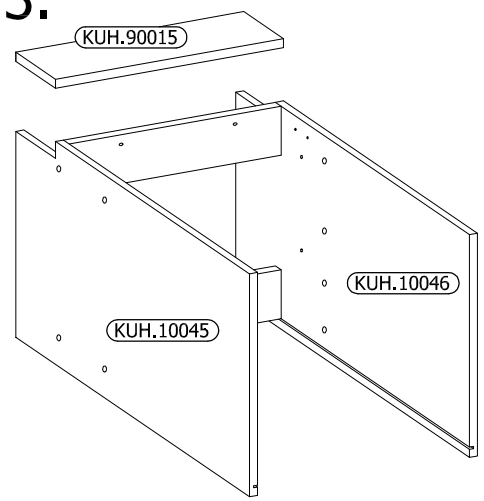
1.



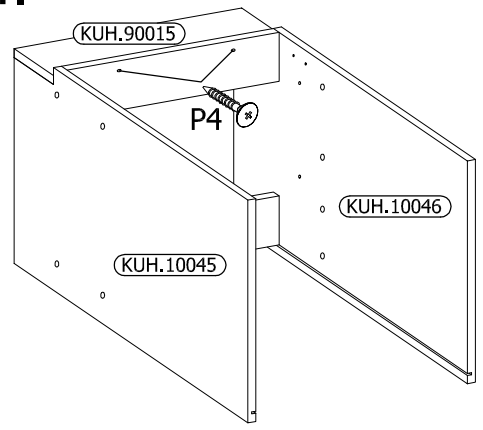
2.



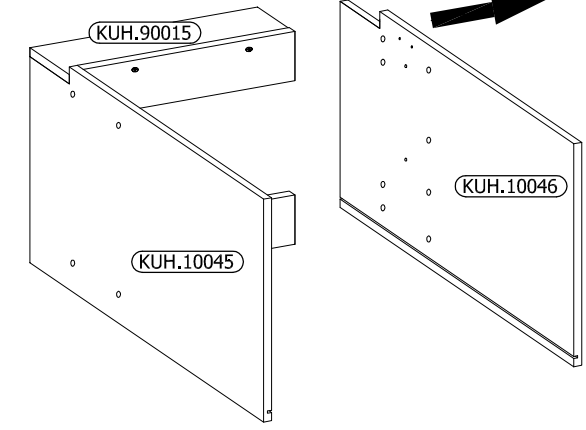
3.

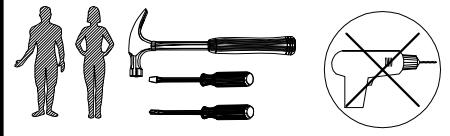
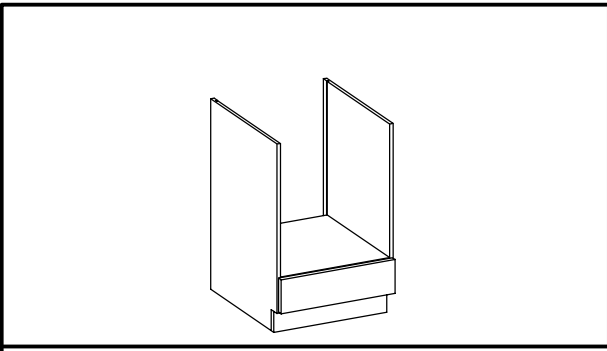


4.

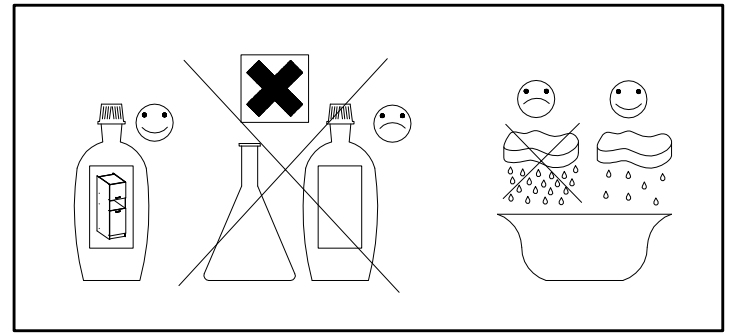
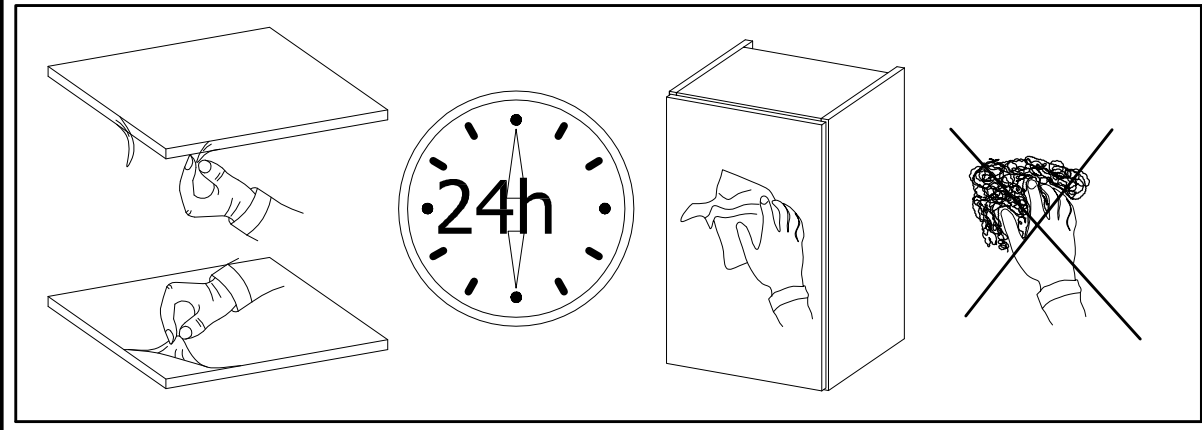
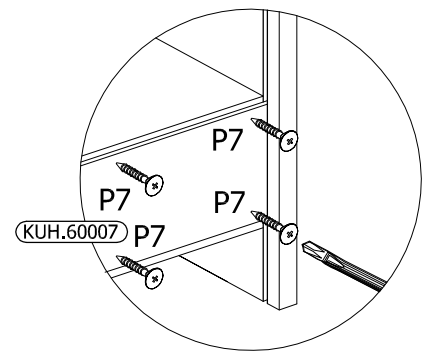
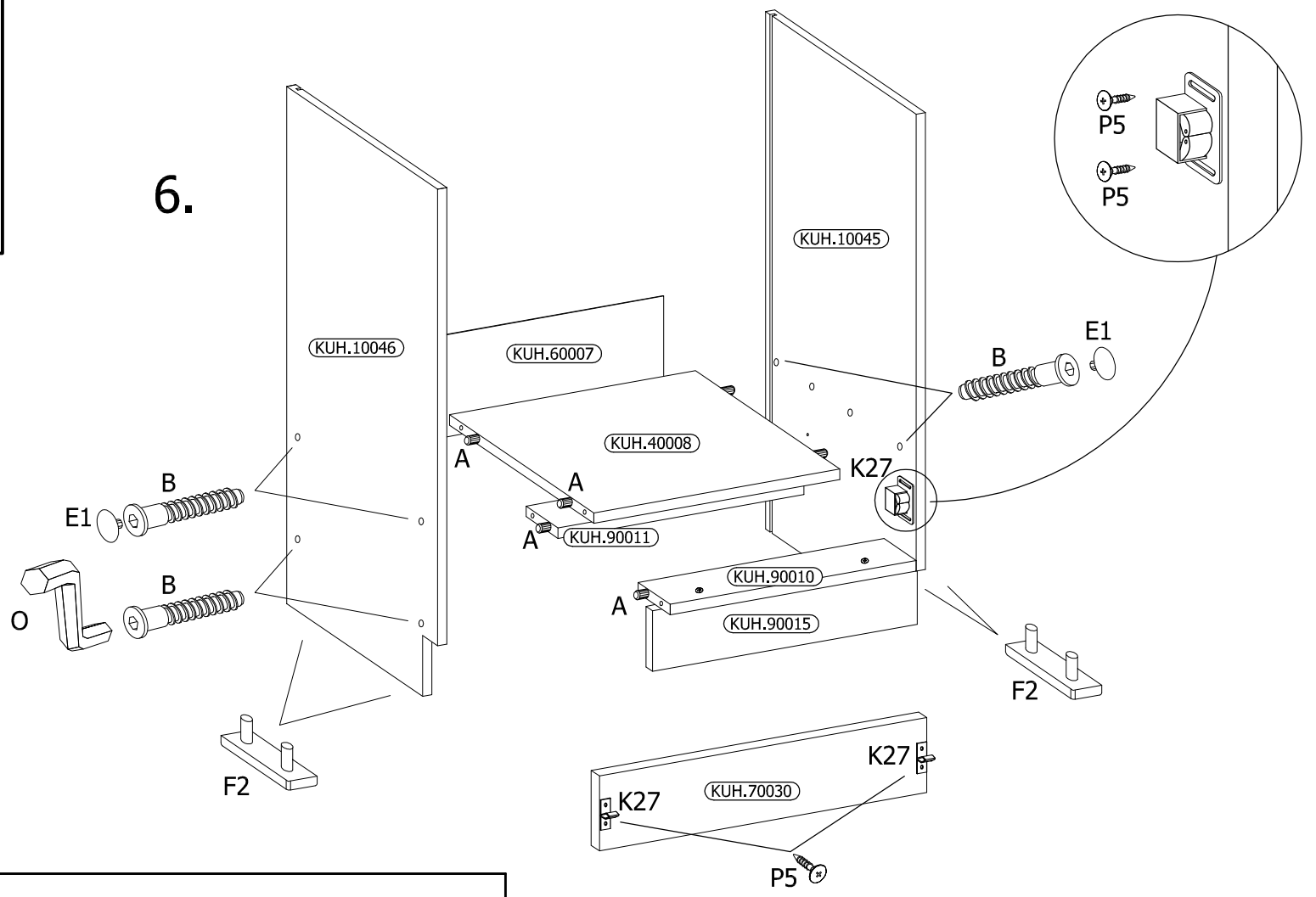


5.

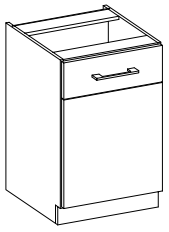


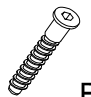

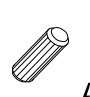
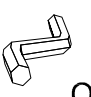
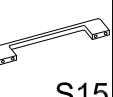



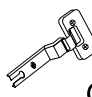
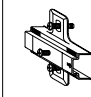
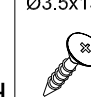
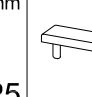







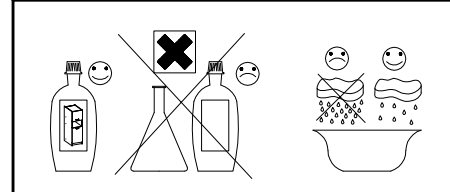
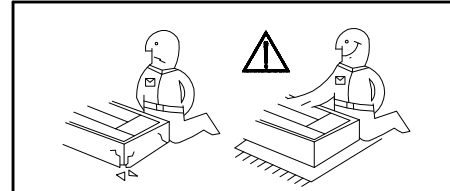
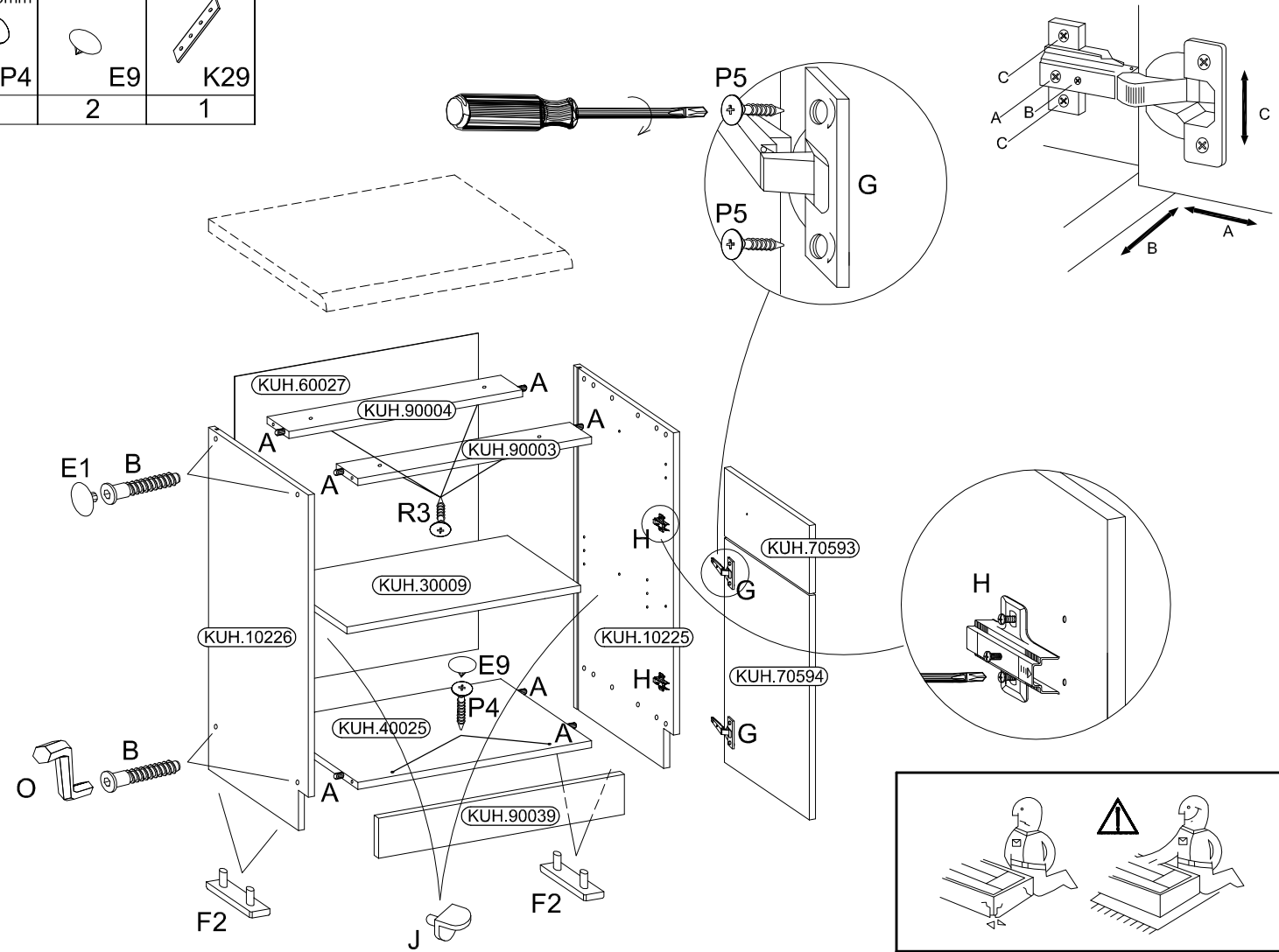
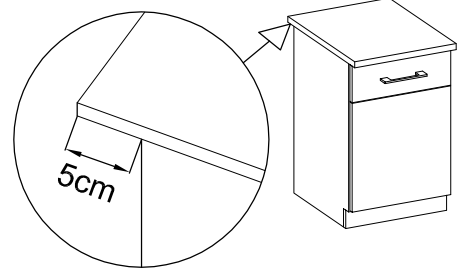
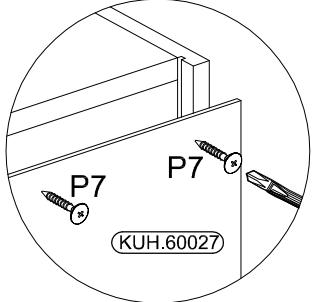
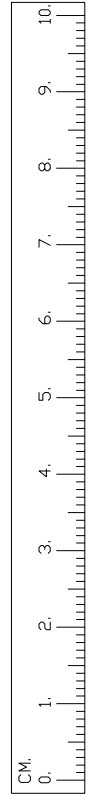
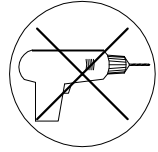
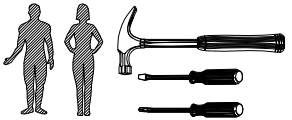
6.



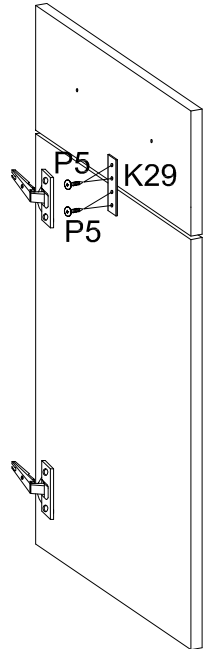
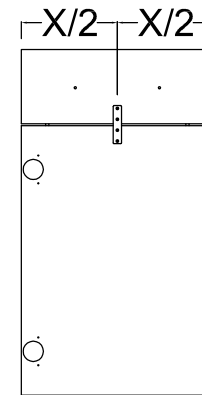
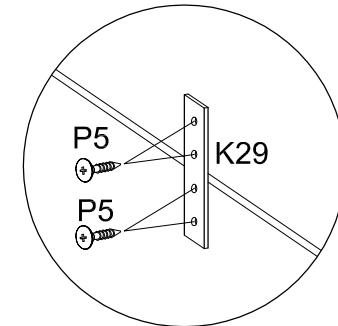
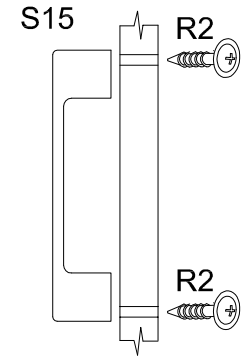
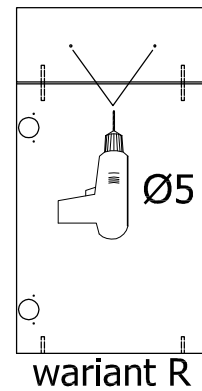
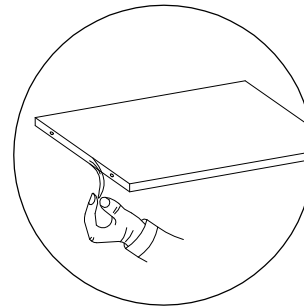
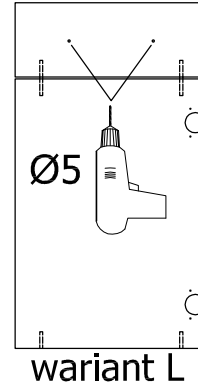
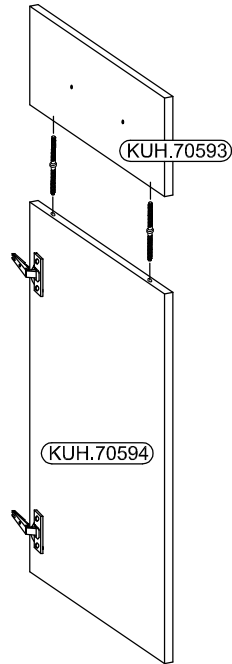
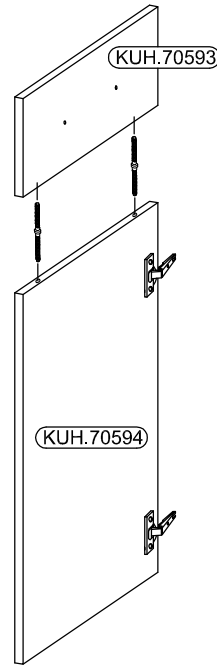
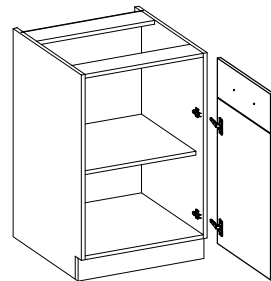
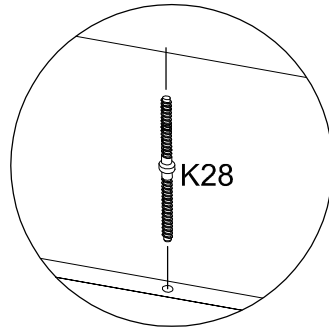
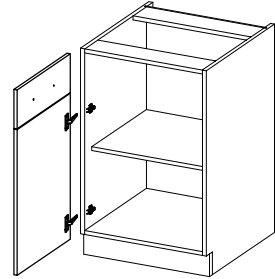
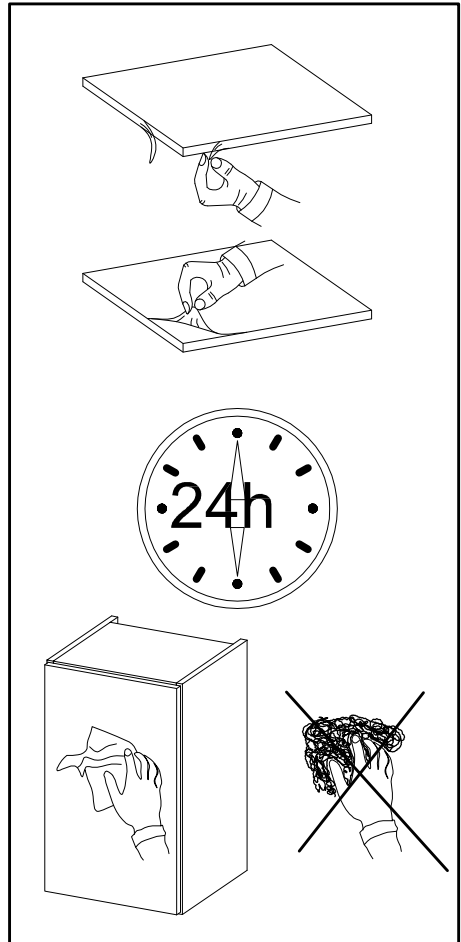
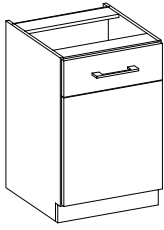
40 D 1F BB



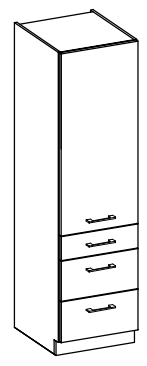
 B	 E1	 A	 O	 S15	 R2	 P7	 J	 G	 H	 P5	 F2	 K28
8	8	8	1	1	2	10-15	4	2	2	8	4	2
 R3	 P4	 E9	 K29									
4	2	2	1									



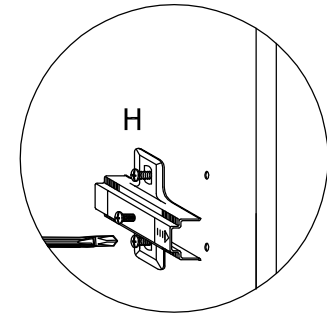
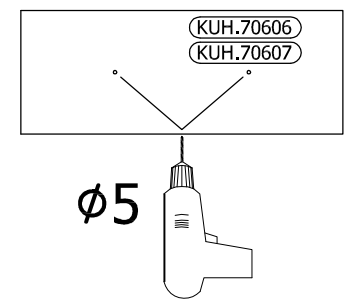
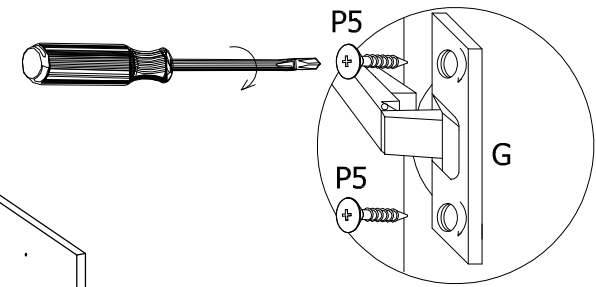
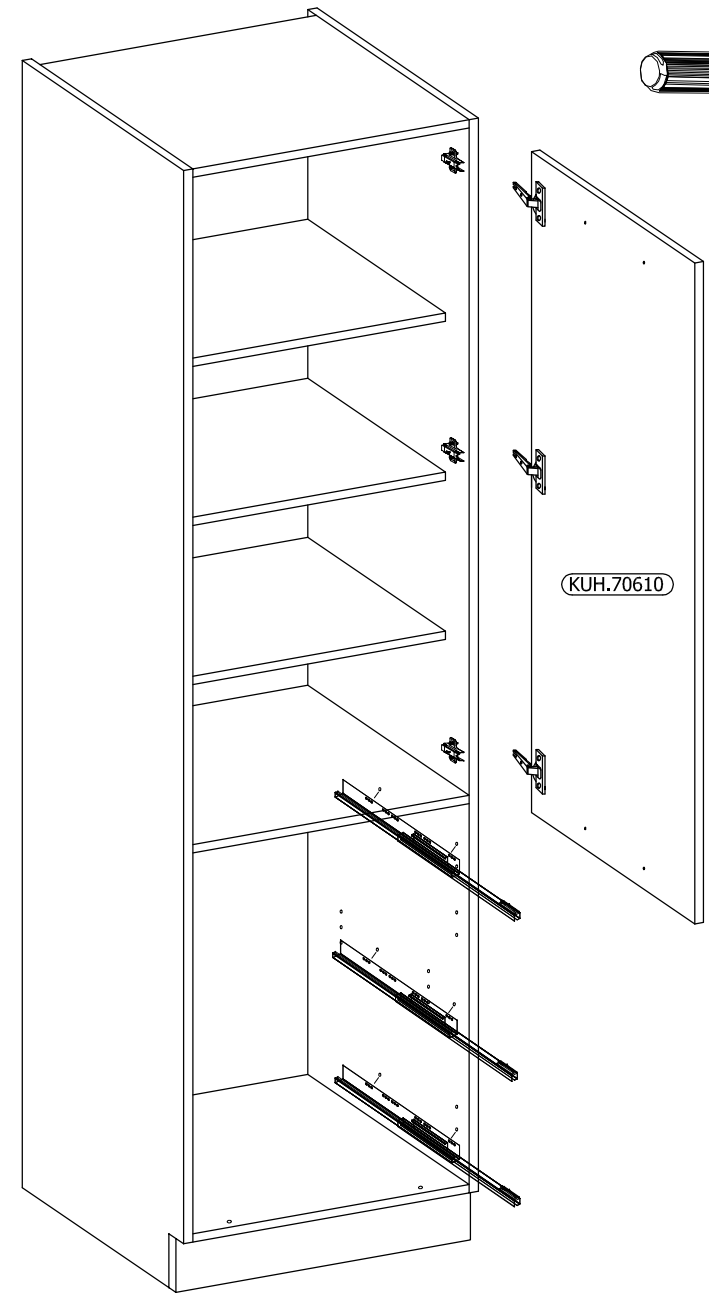
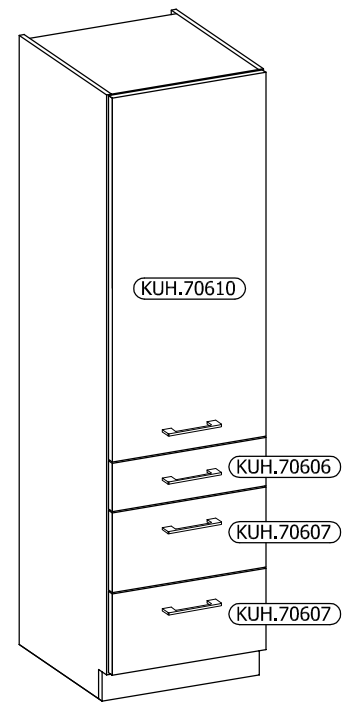
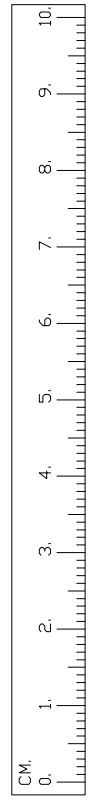
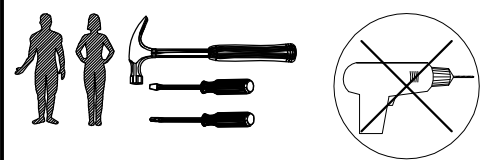
40 D 1F BB



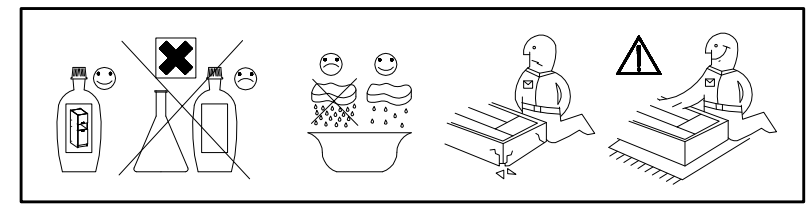
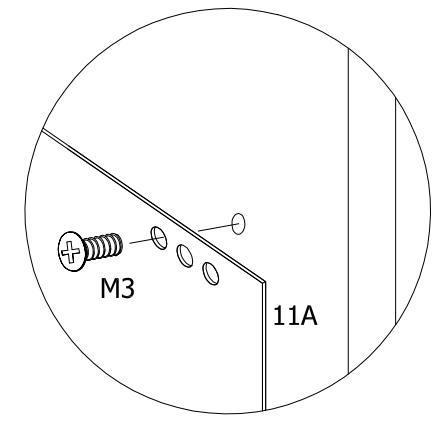
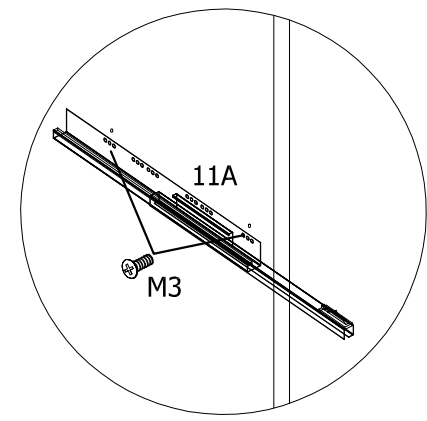
60 DKS-2100 1F 3S



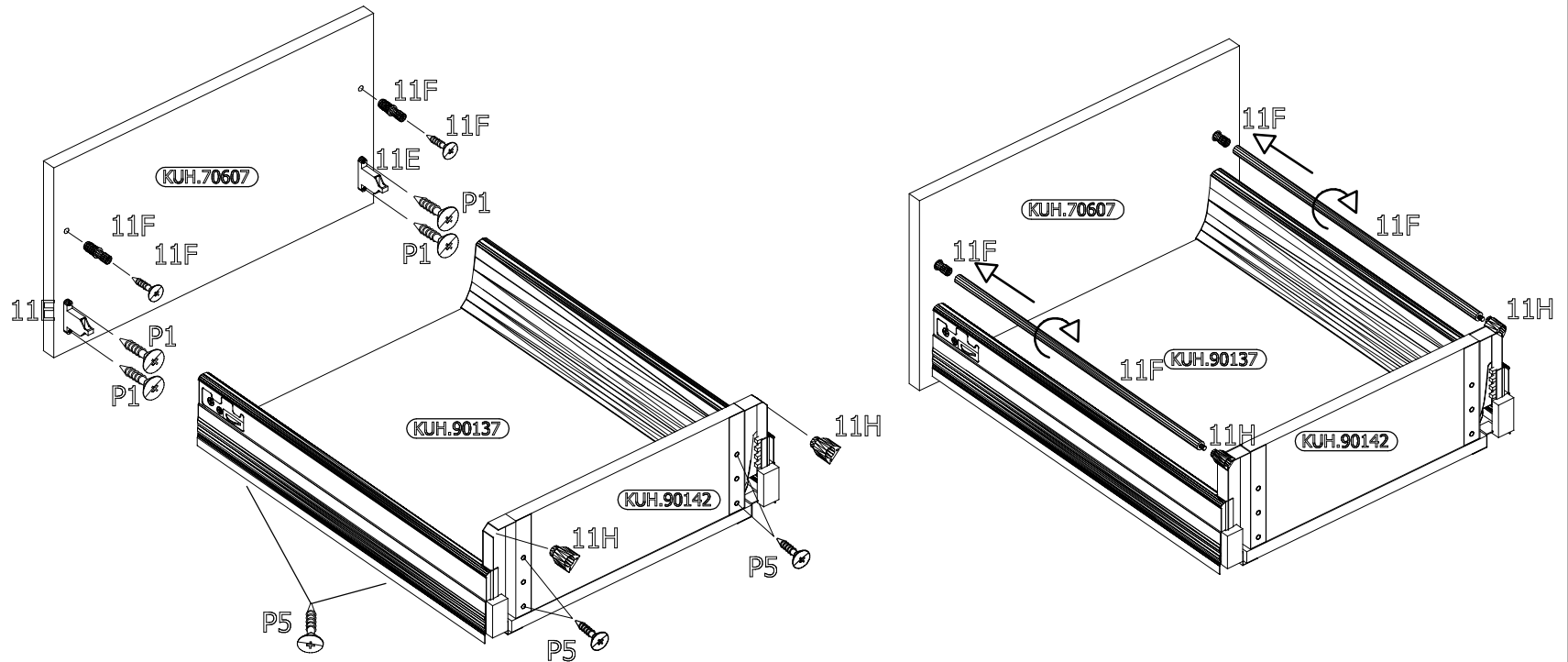
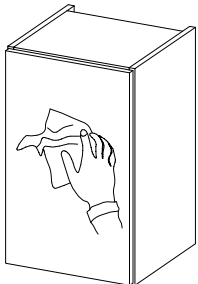
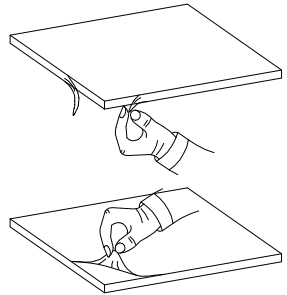
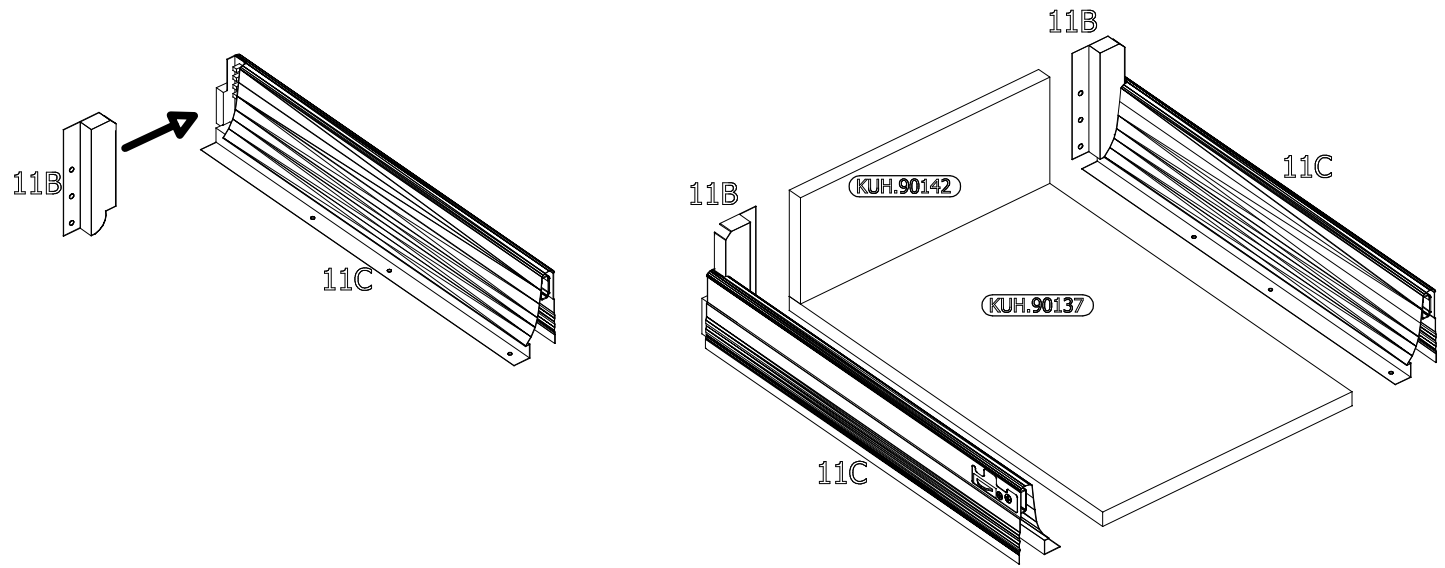
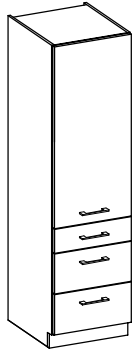
S15	R2	P5	M3	P1	11A	11B	11C	11D	11E	11F	11G	11H
2	4	24	12	12	3	2	3	1	6	4	6	4



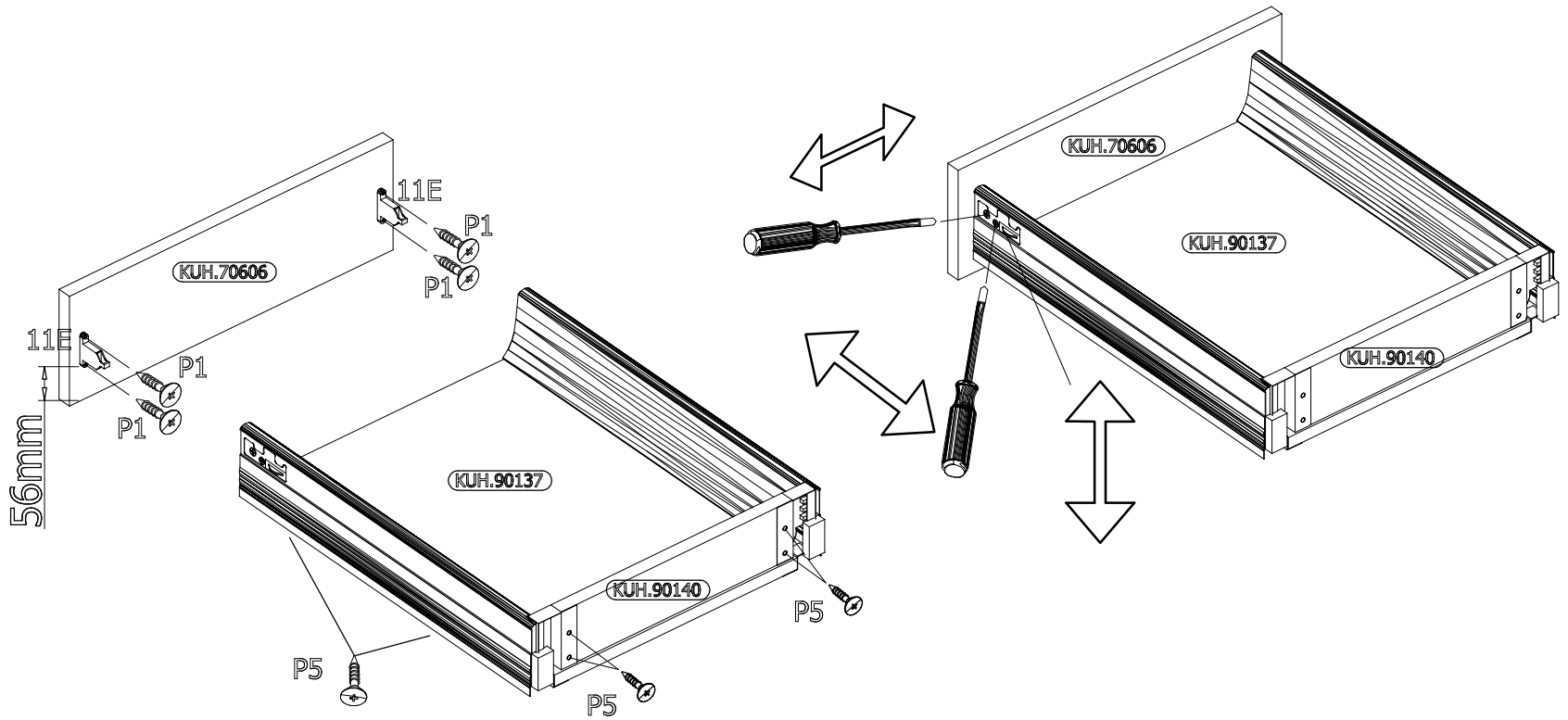
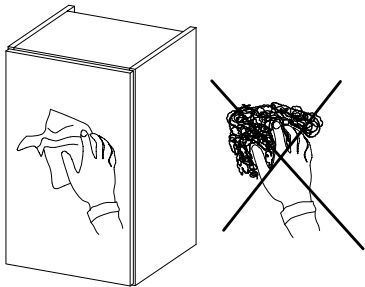
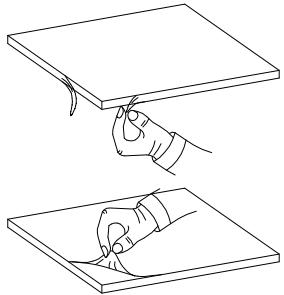
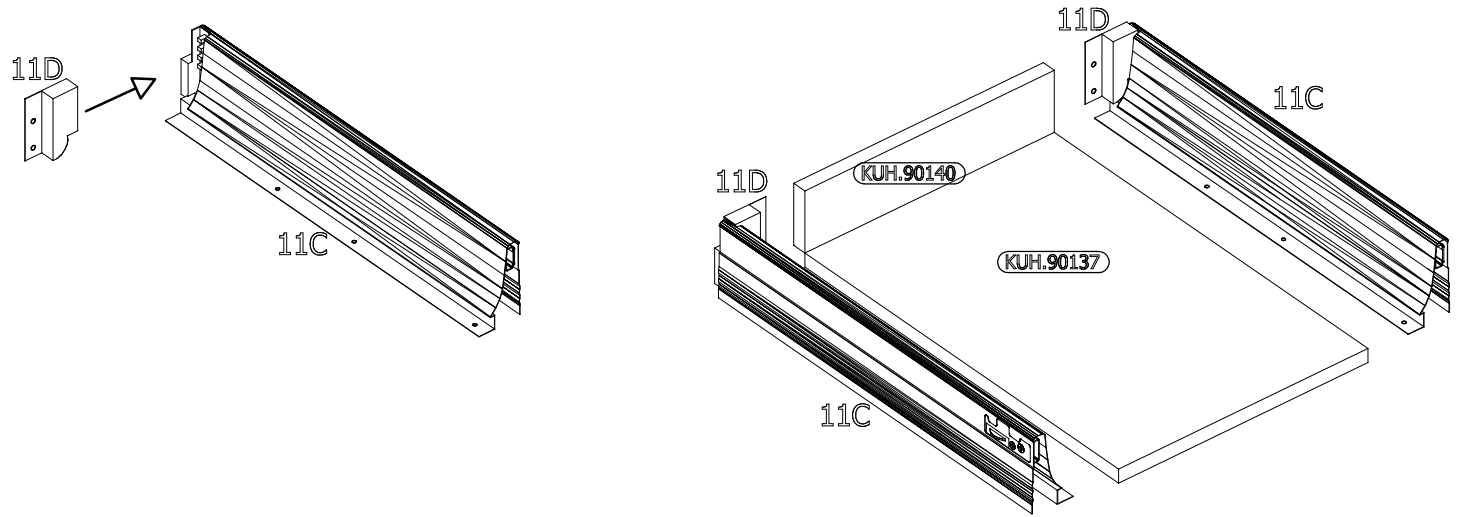
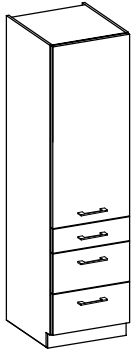
G	H	P5
3	3	6
S15	R2	
2	4	



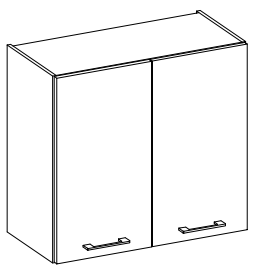
60 DKS-2100 1F 3S

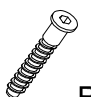







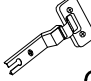


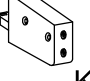
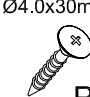


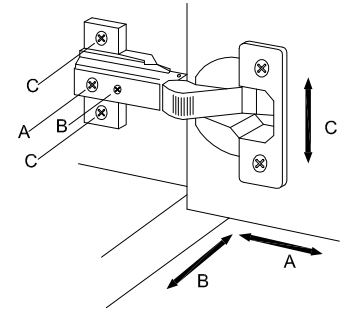
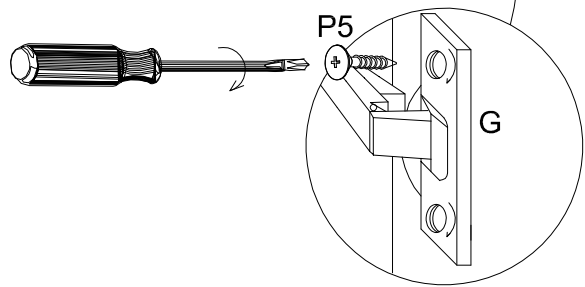
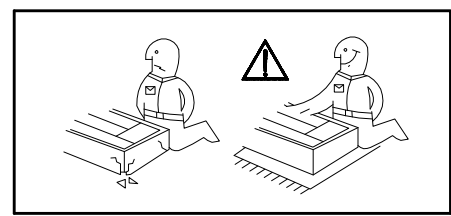
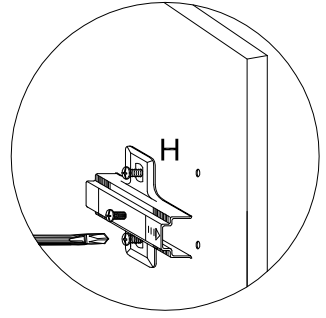
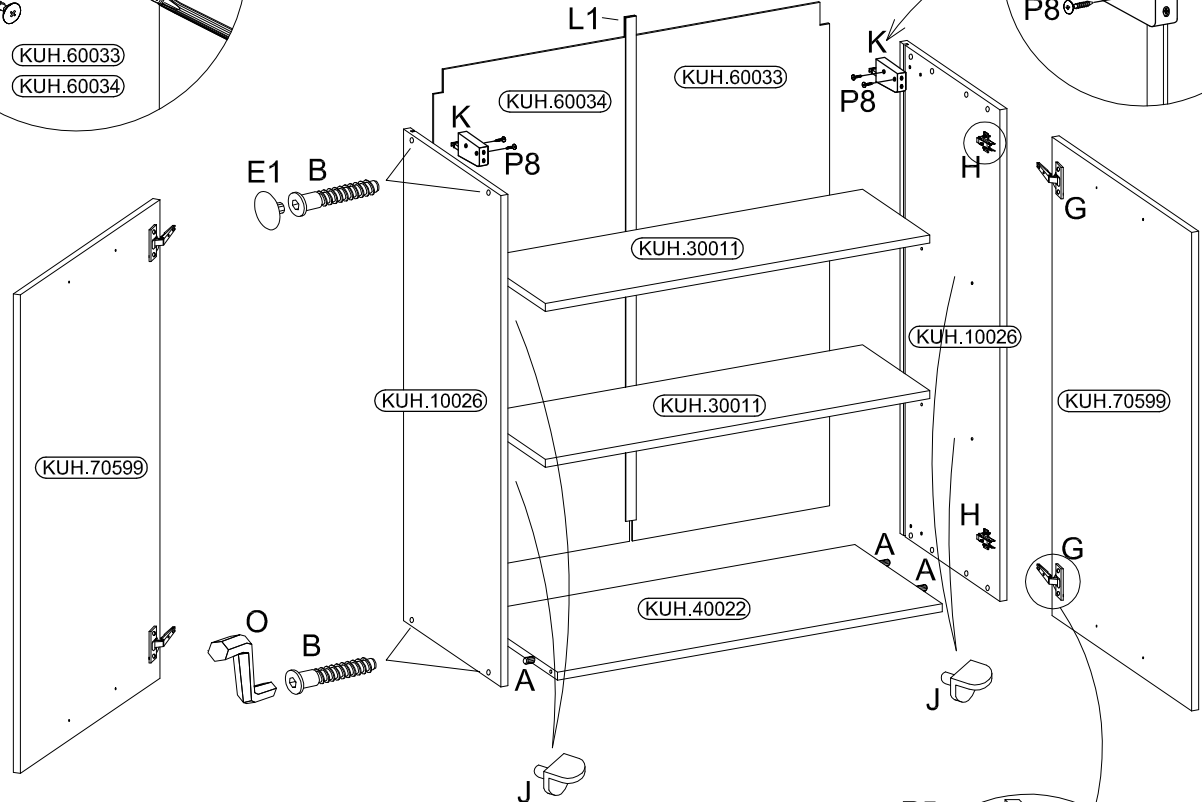
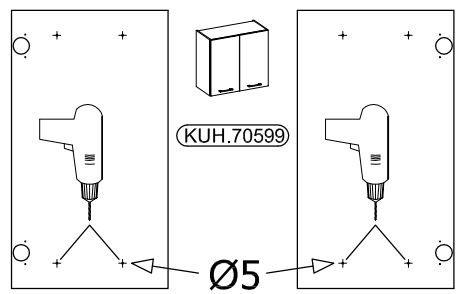
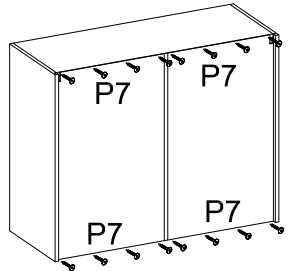
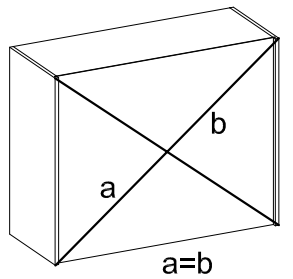
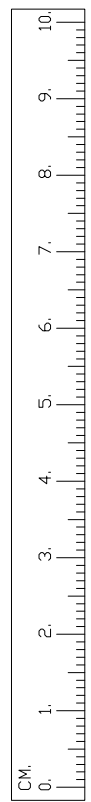
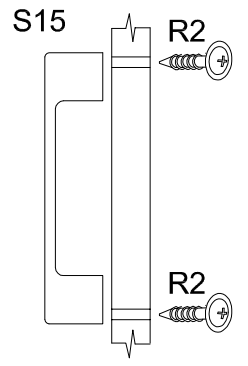
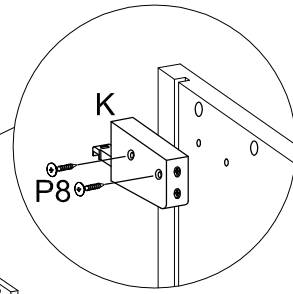
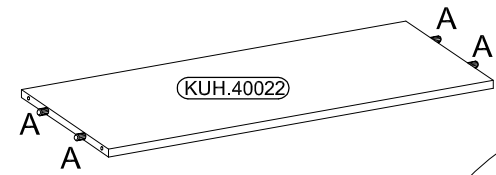
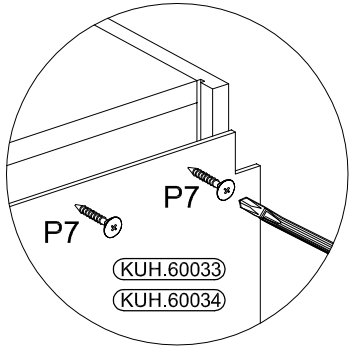
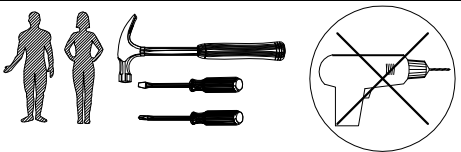
60 DKS-2100 1F 3S



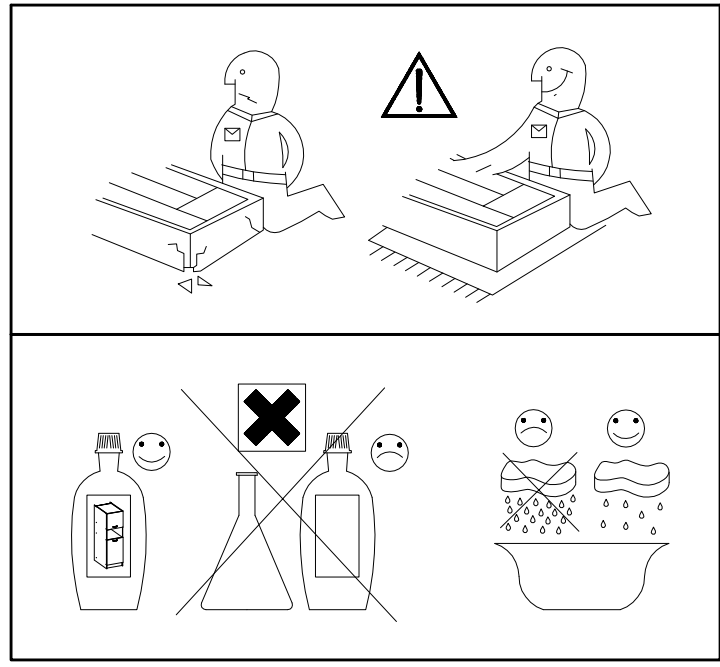
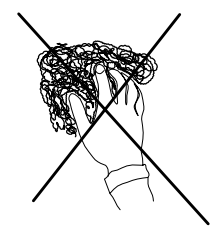
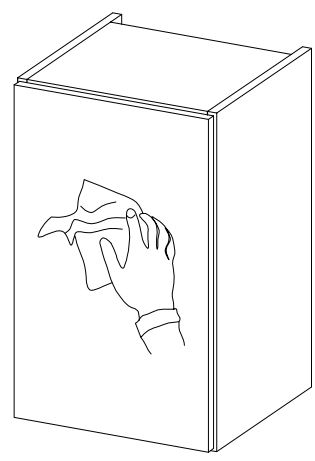
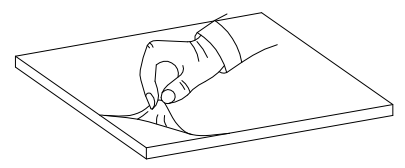
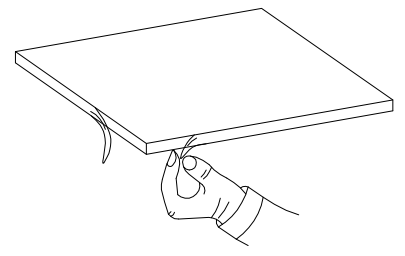
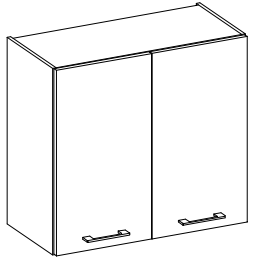
80 G-72 2F



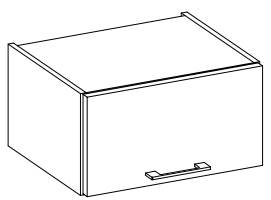
												
8	8	8	1	2	4	15-20	8	4	4	8	2	4

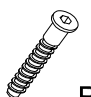



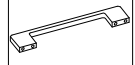
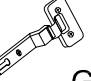
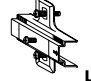
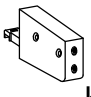
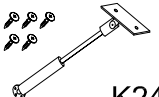


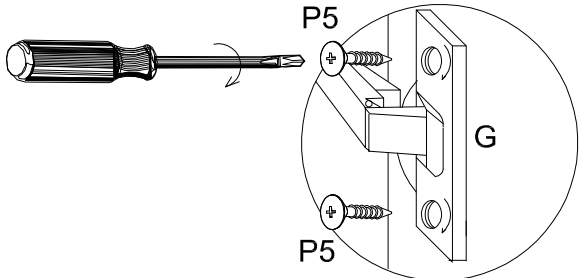
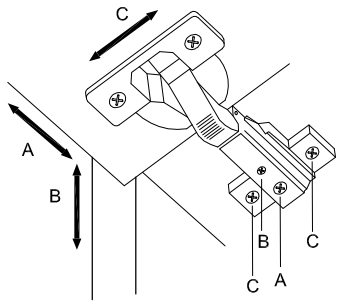
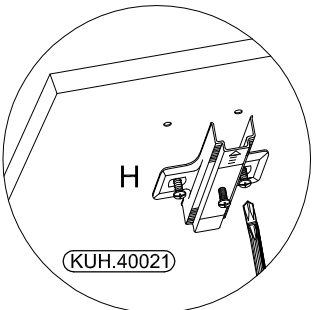
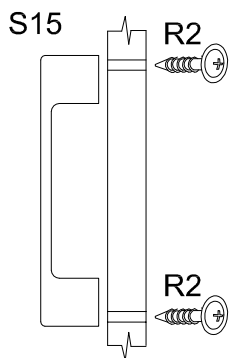
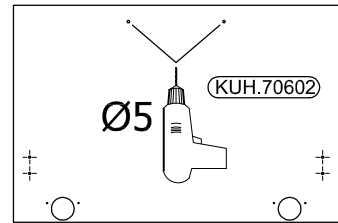
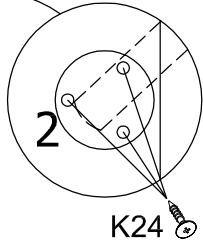
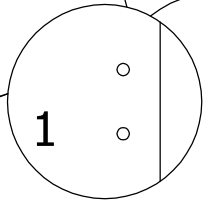
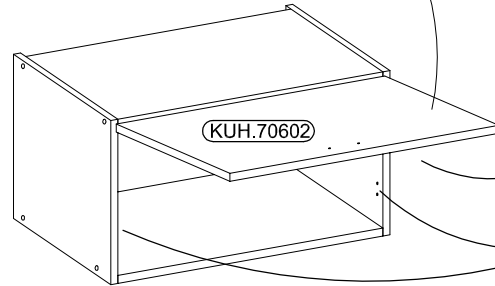
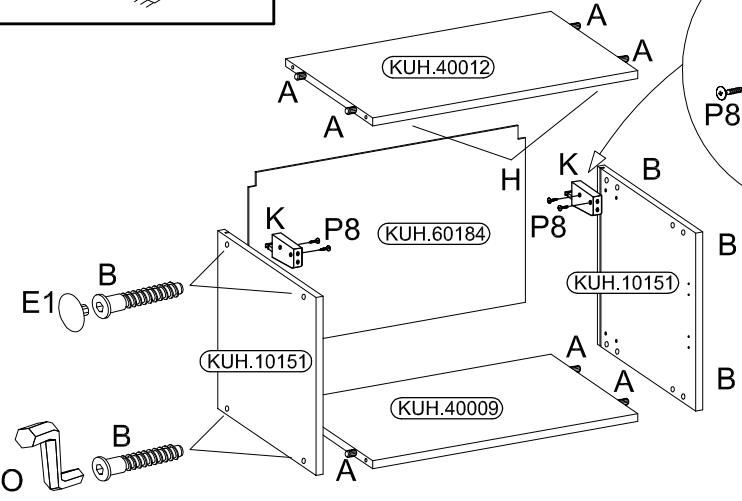
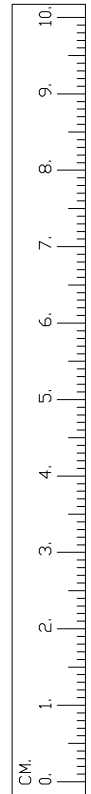
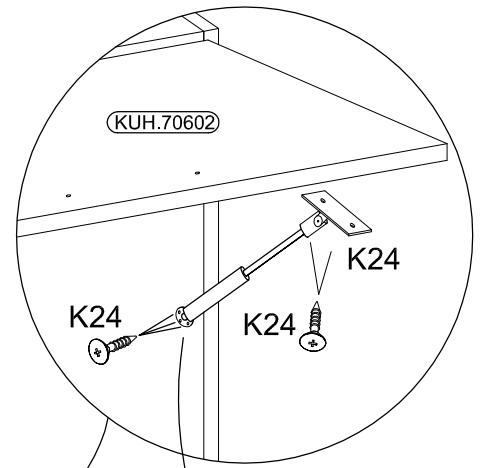
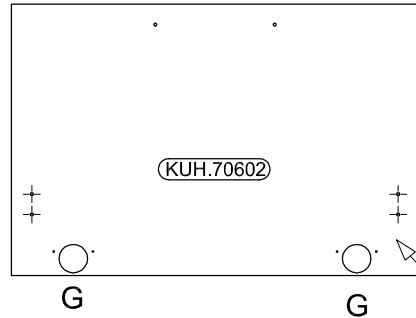
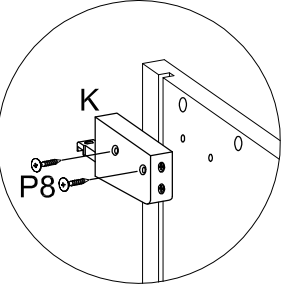
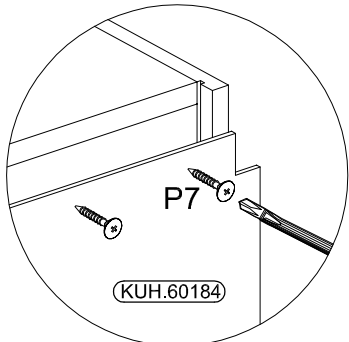
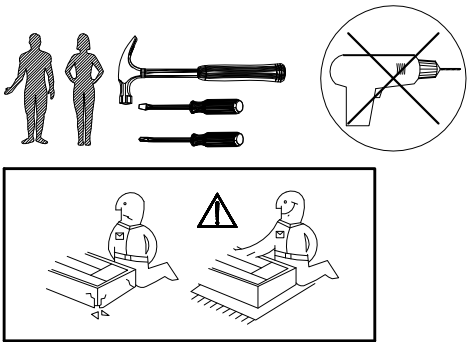
80 G-72 2F



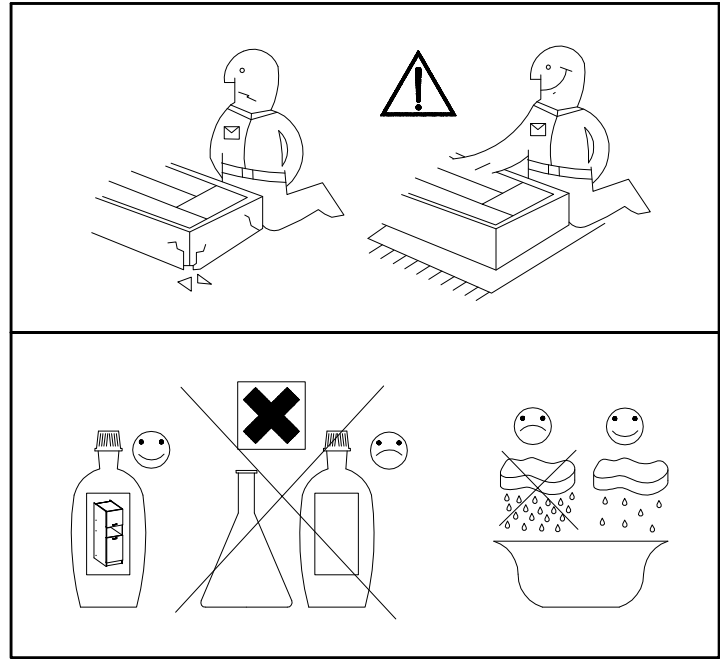
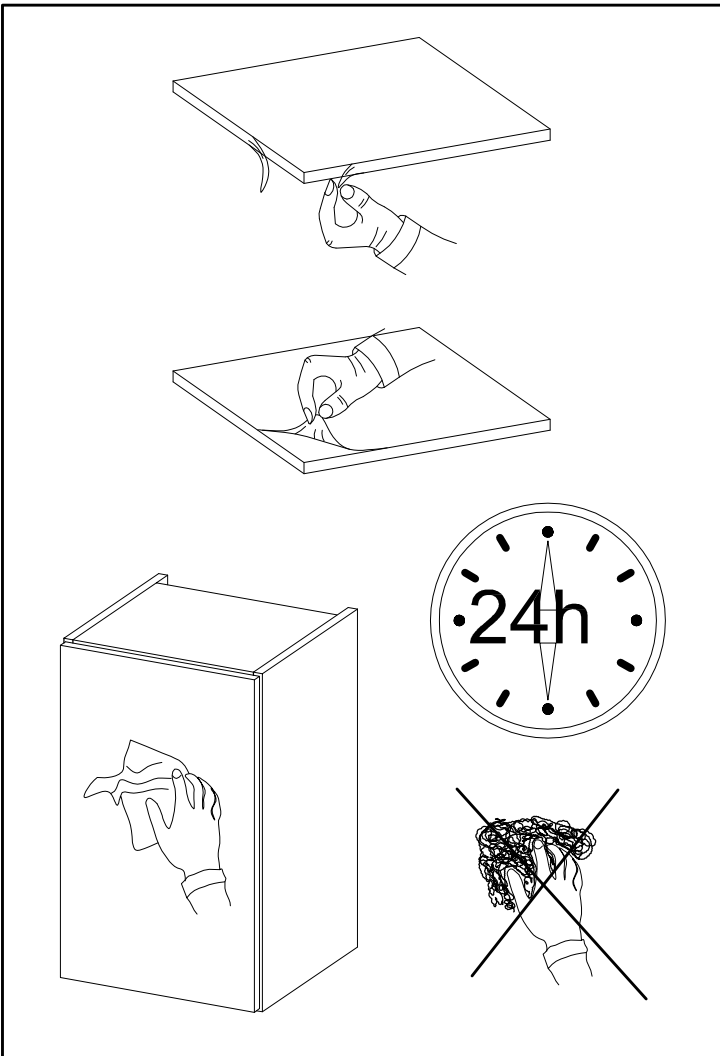
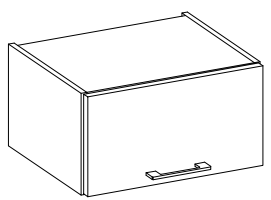
60 GU-36



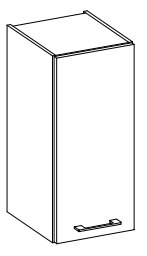
					Ø4.0x30mm	Ø3.0x20mm			Ø3.5x13mm		Ø4.0x30mm	
B	E1	A	O	S15	R2	P7	G	H	P5	K	P8	K24
8	8	8	1	1	2	10	2	2	4	2	4	2



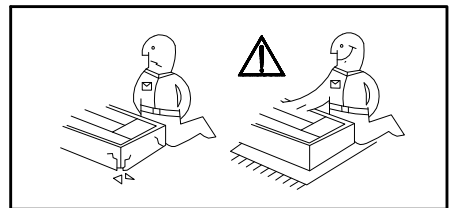
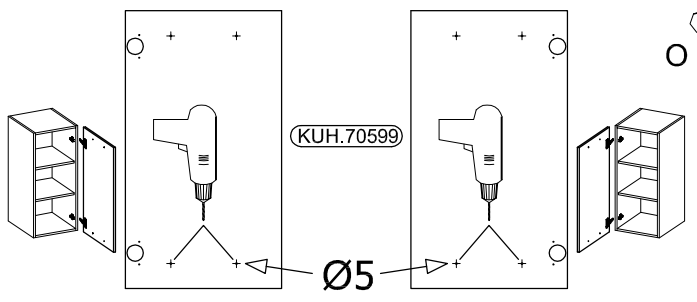
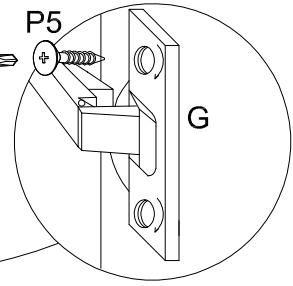
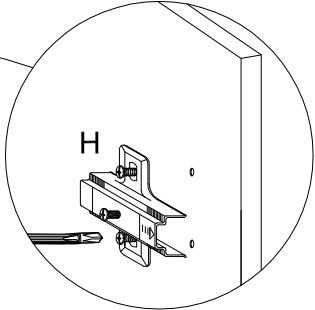
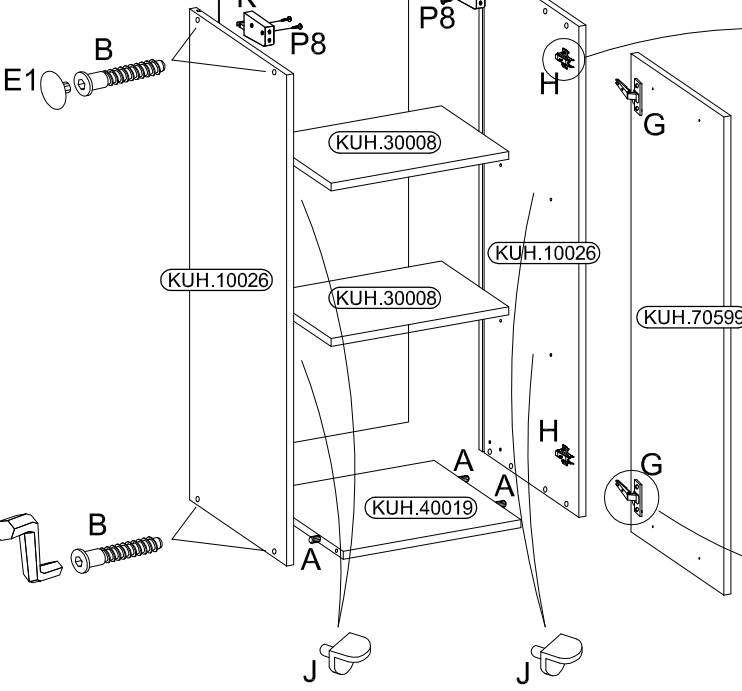
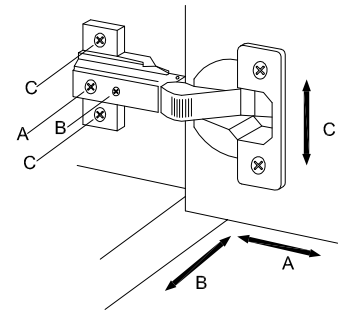
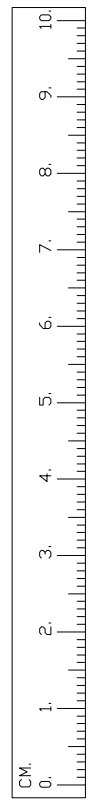
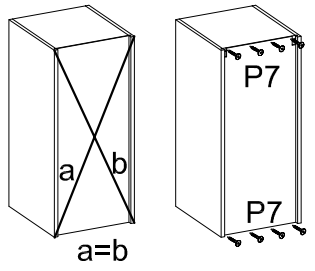
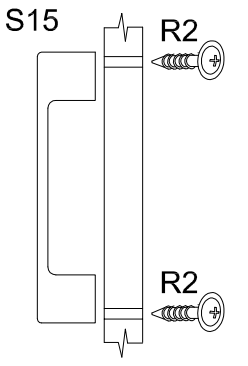
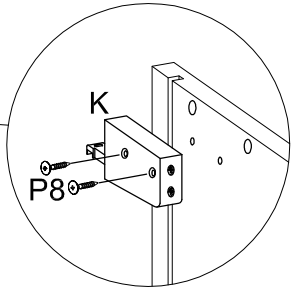
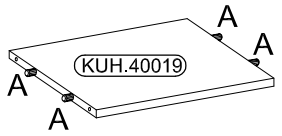
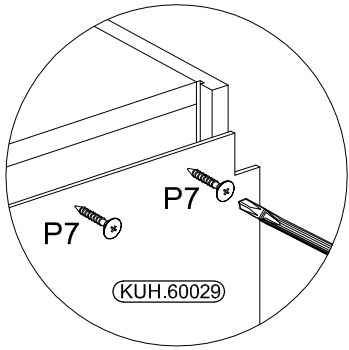
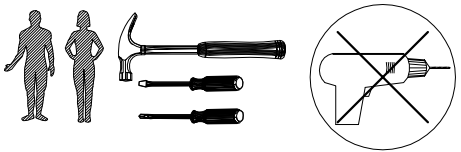
60 GU-36



40 G-72 1F



					Ø4.0x30mm	Ø3.0x20mm				Ø3.5x13mm		Ø4.0x30mm
B	E1	A	O	S15	R2	P7	J	G	H	P5	K	P8
8	8	8	1	1	2	8-10	8	2	2	4	2	4



40 G-72 1F

