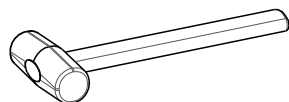
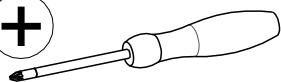
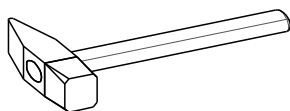
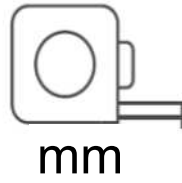
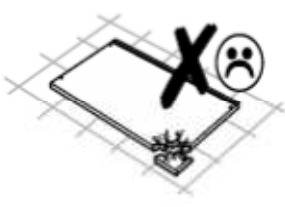
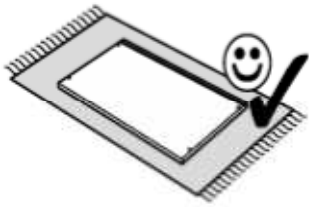


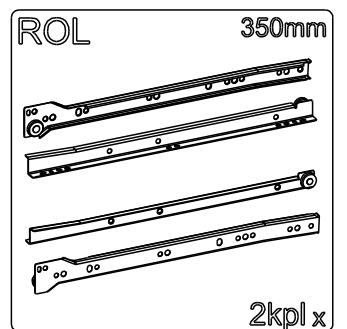
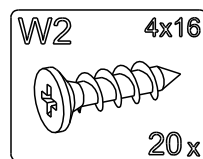
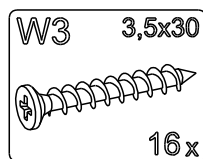
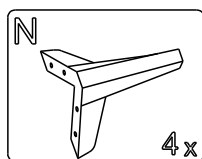
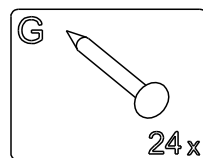
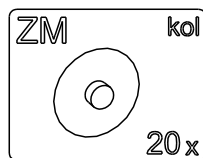
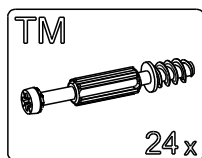
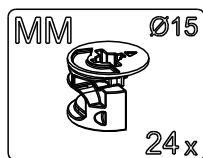
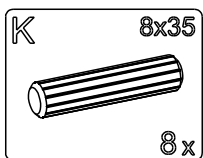
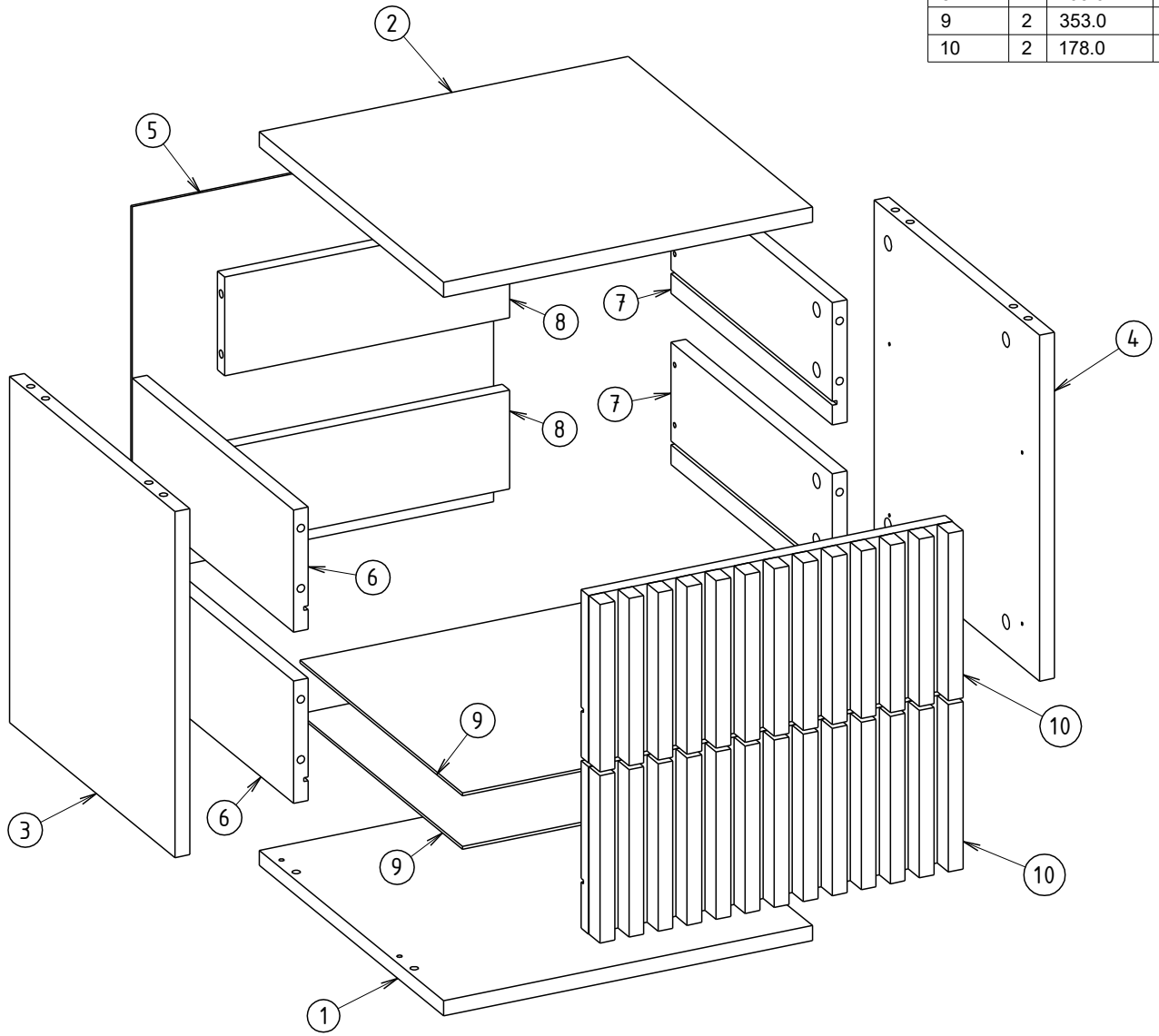
mm



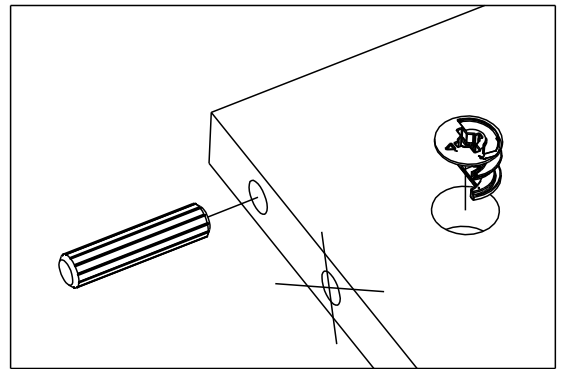
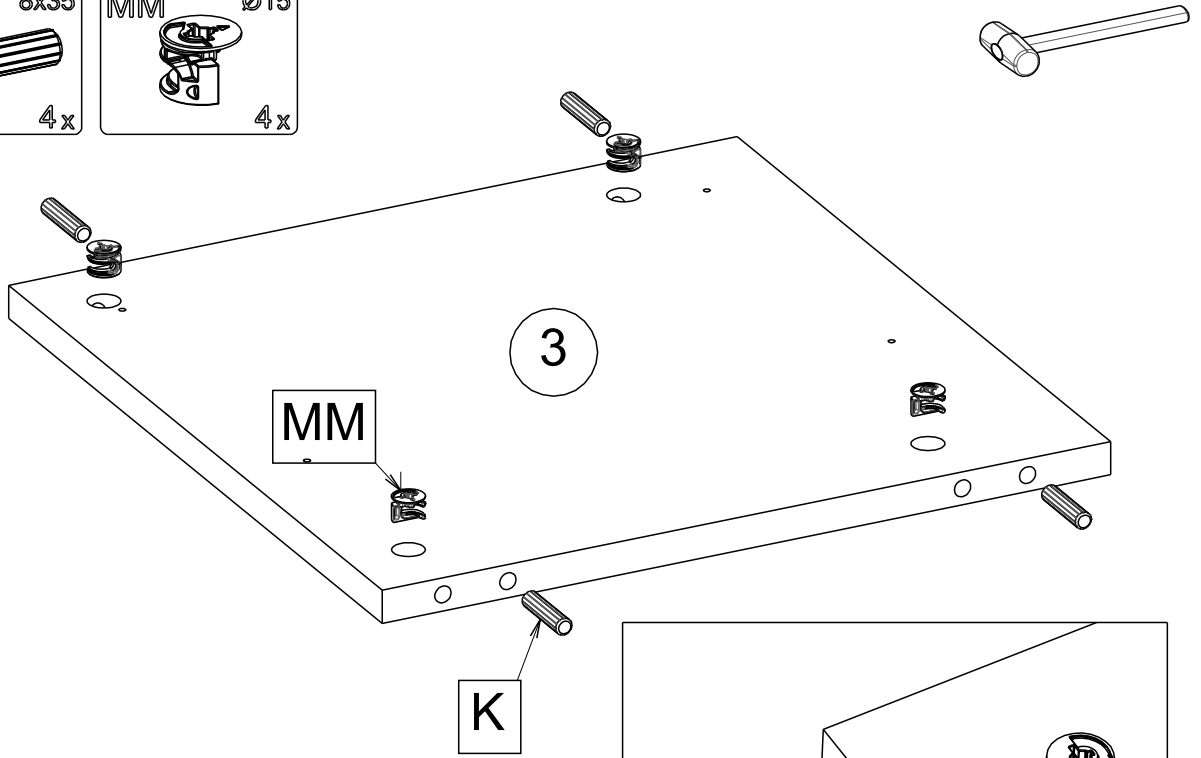
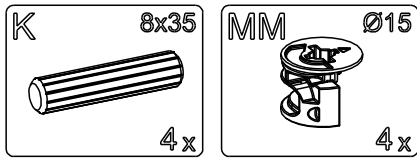
60min



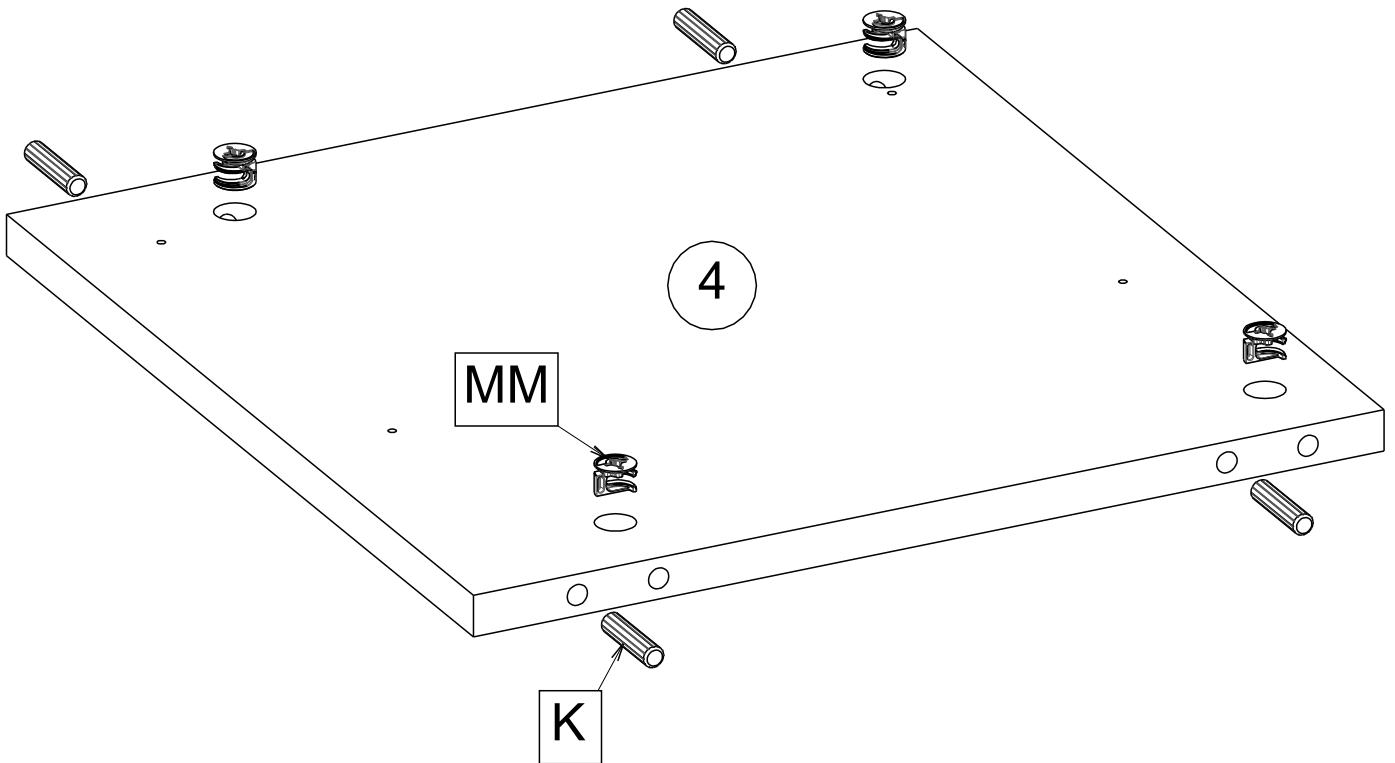
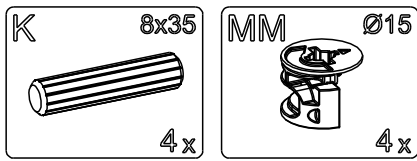
Indeks	il.	Szer[mm]	Dł [mm]
1	1	400.0	400.0
2	1	400.0	400.0
3	1	359.0	368.0
4	1	359.0	368.0
5	1	392.0	392.0
6	2	130.0	350.0
7	2	130.0	350.0
8	2	105.0	309.0
9	2	353.0	321.0
10	2	178.0	395.0



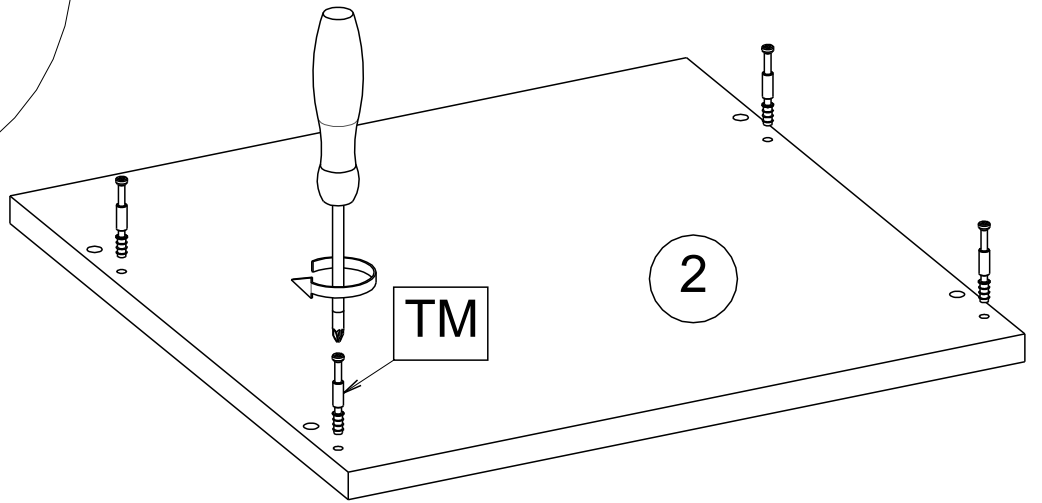
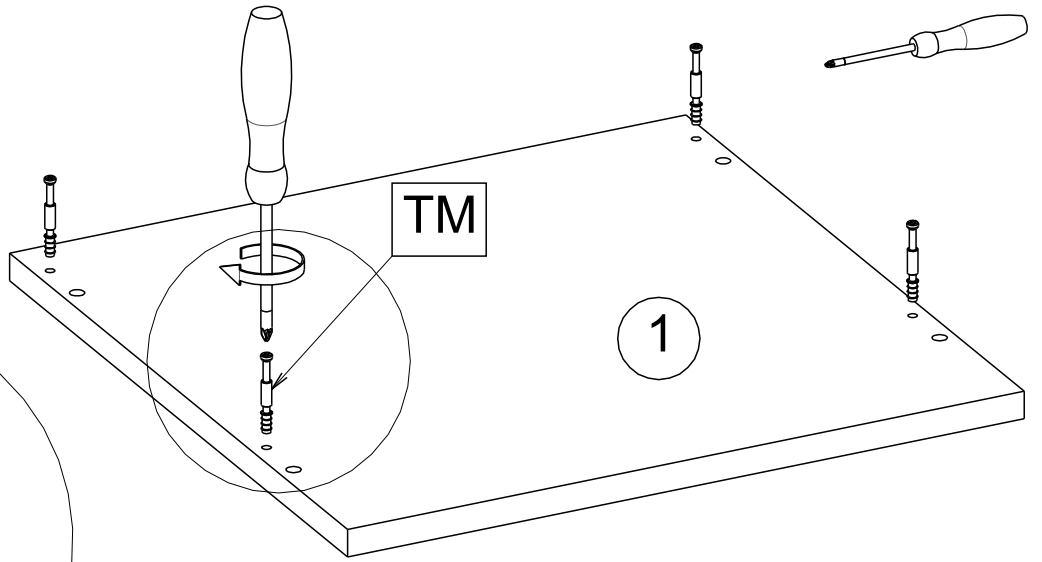
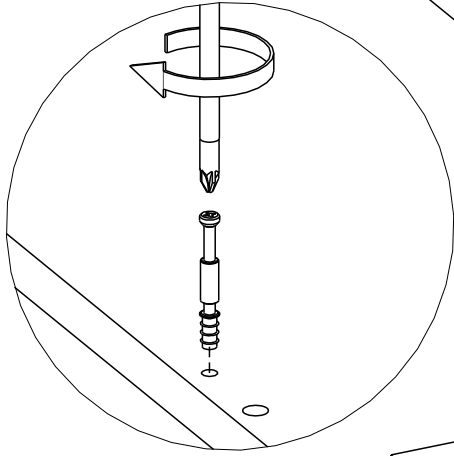
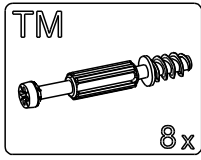
1



2

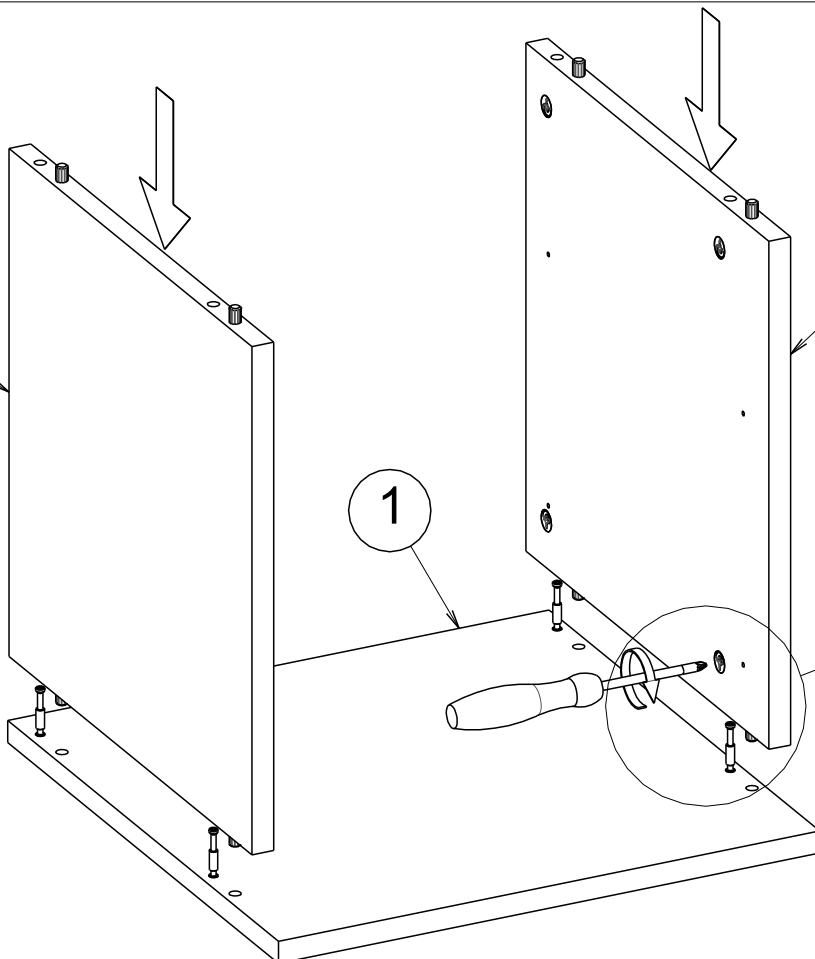


3

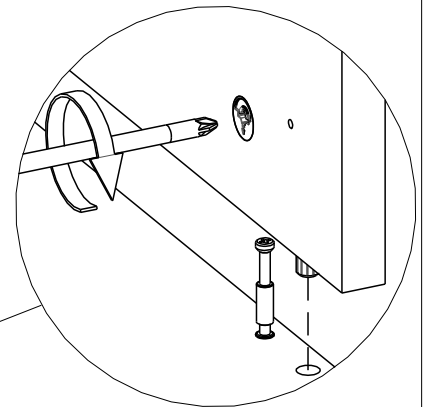


4

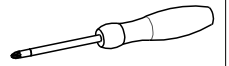
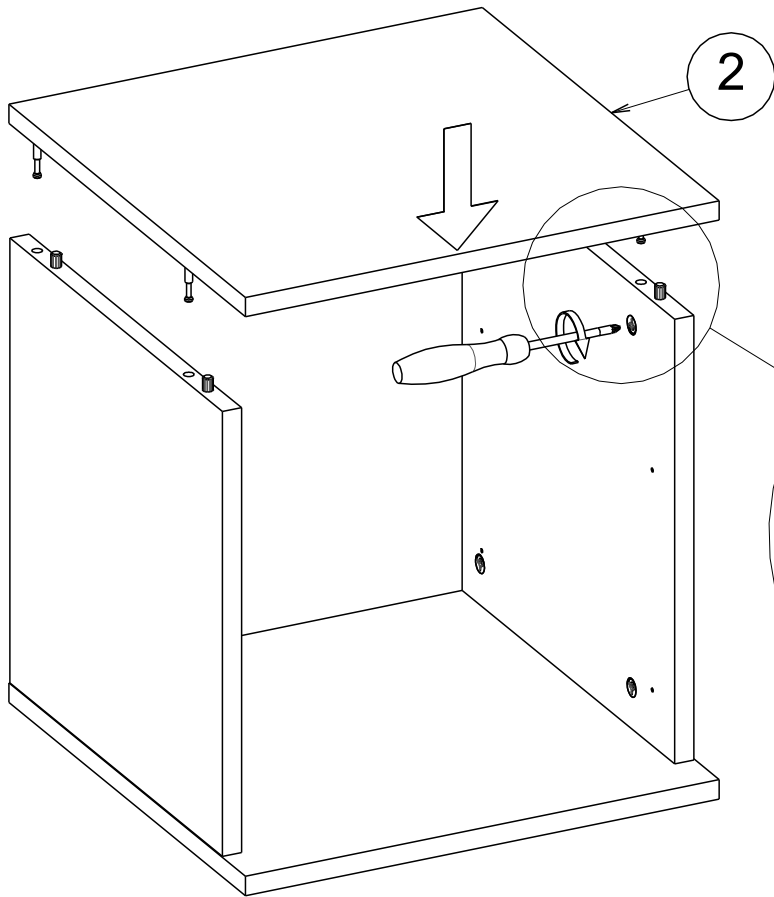
3



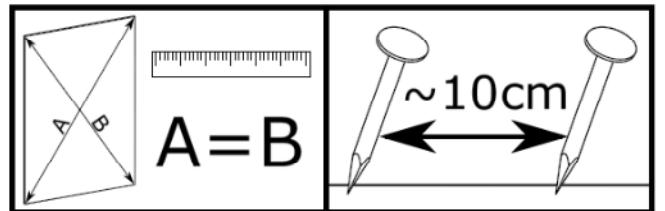
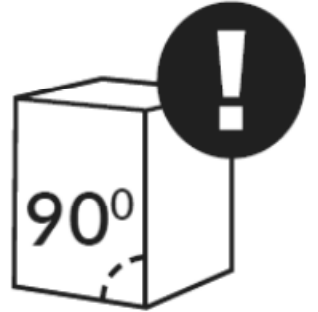
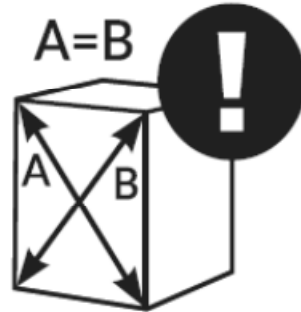
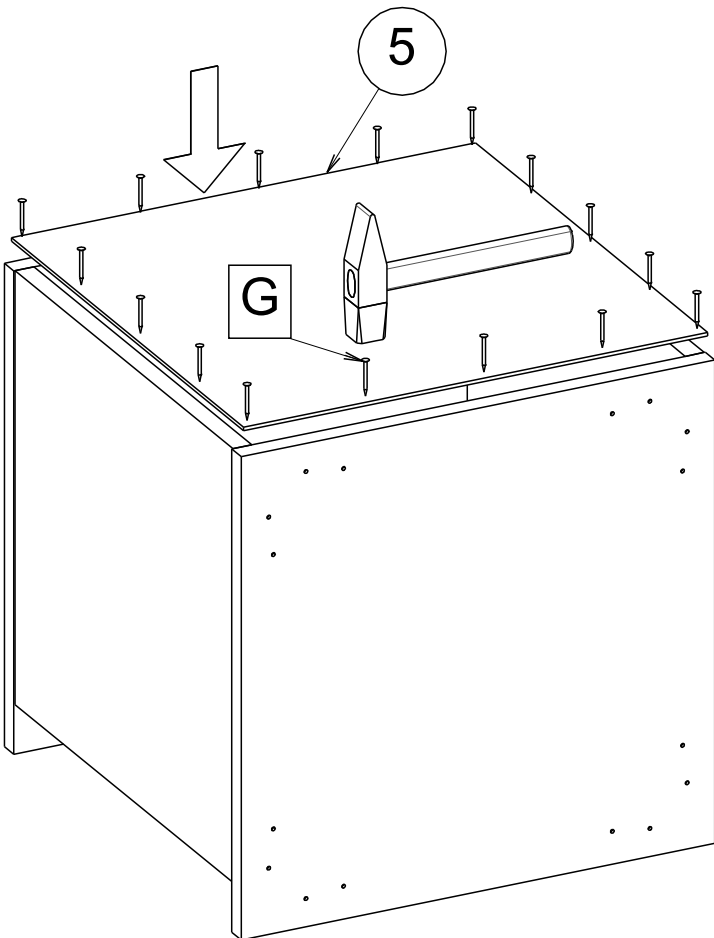
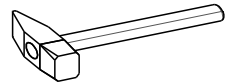
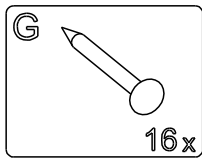
4



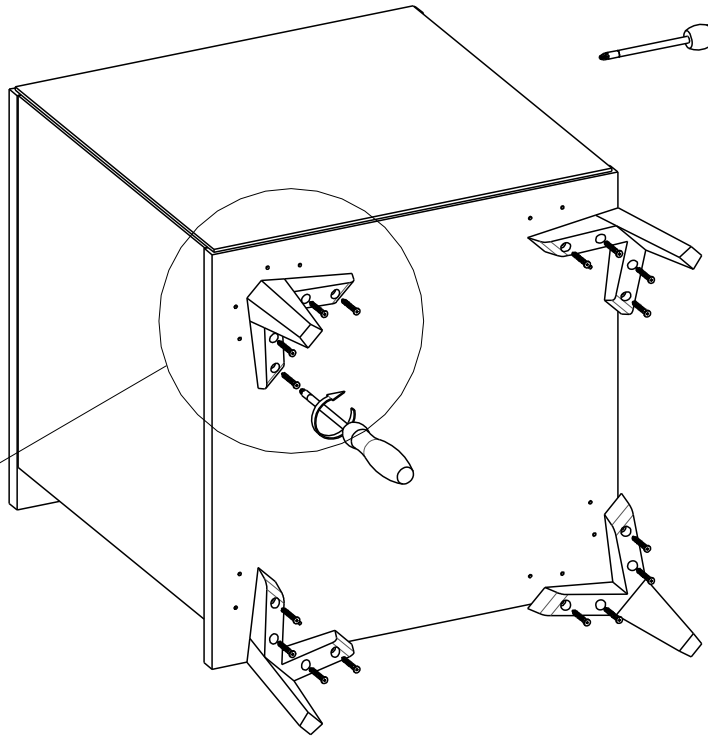
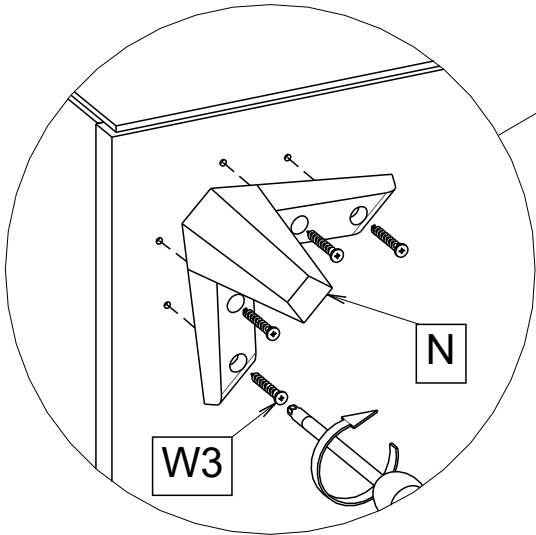
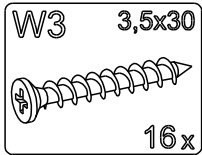
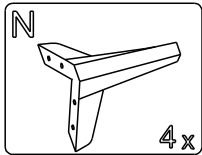
5



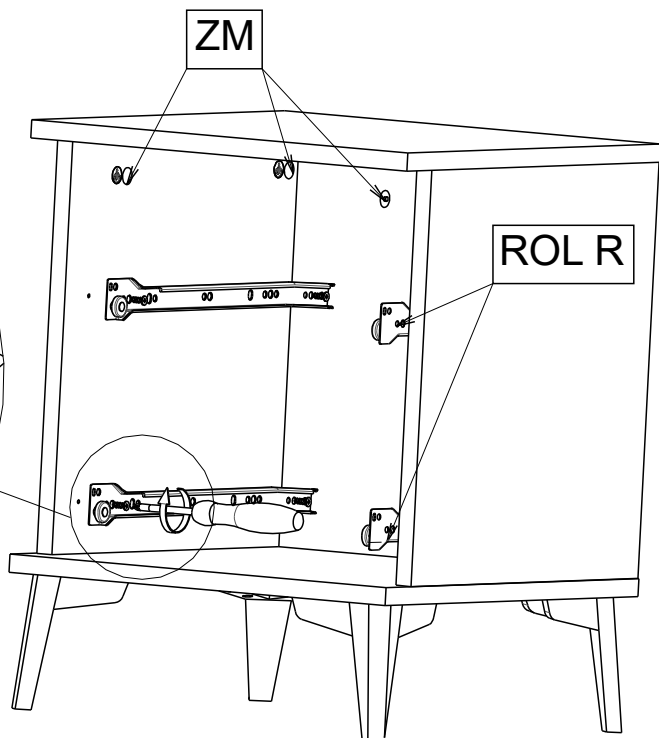
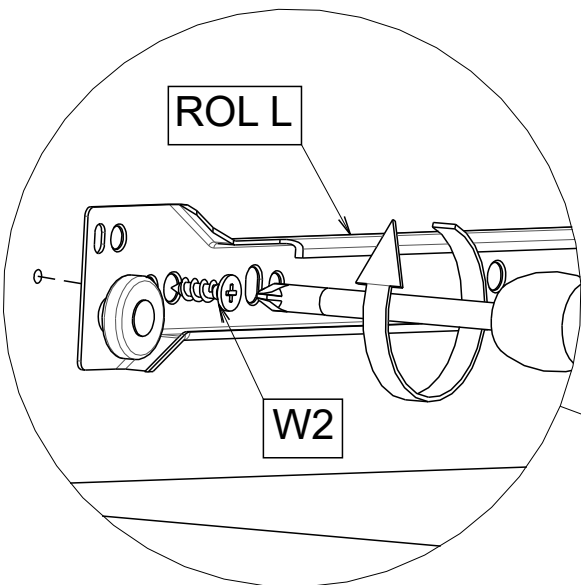
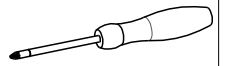
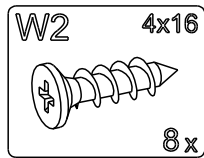
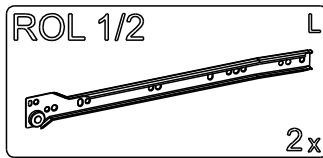
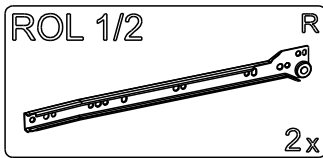
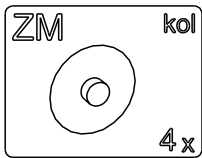
6



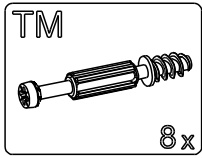
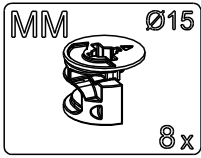
7



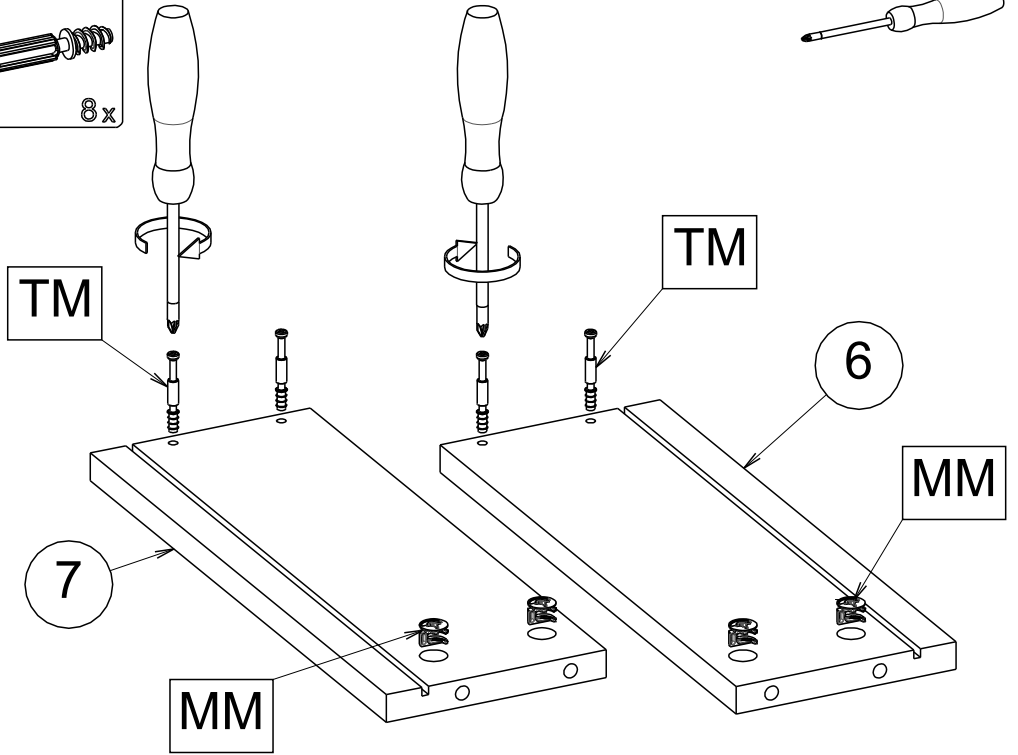
8



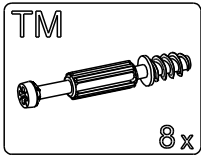
9



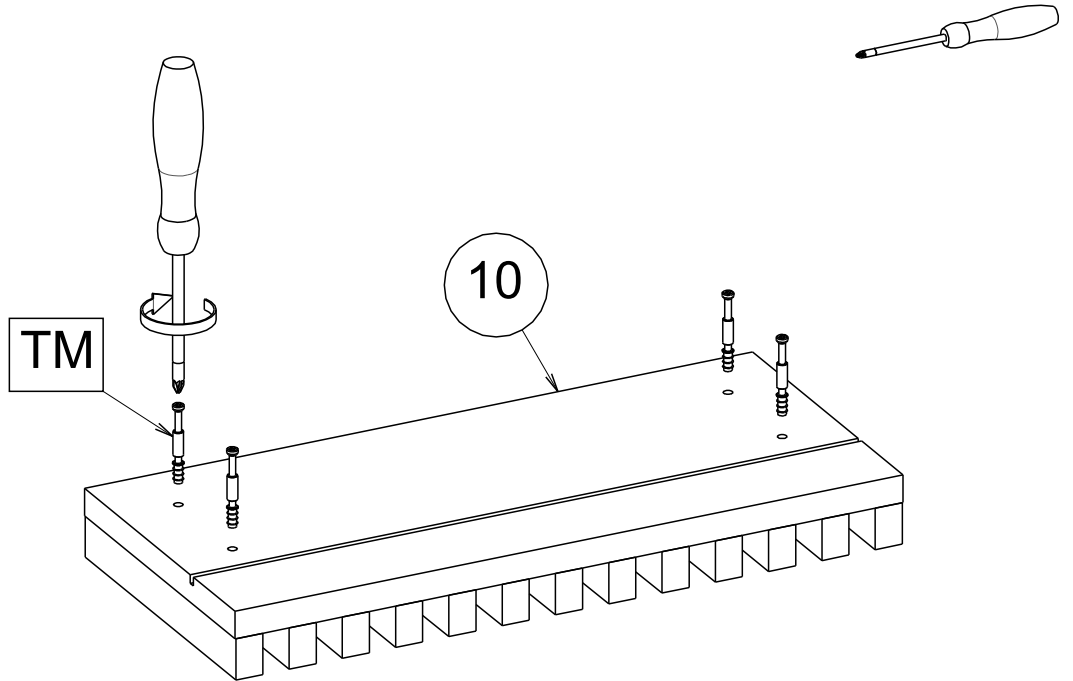
2x



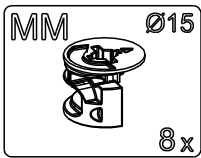
10



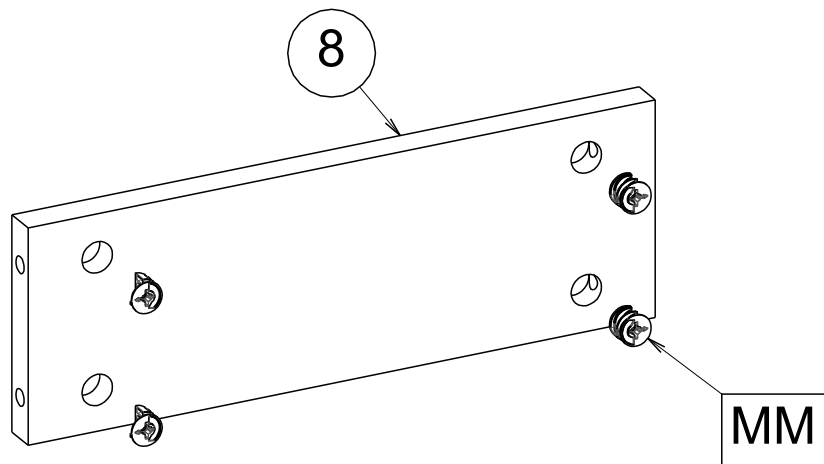
2x

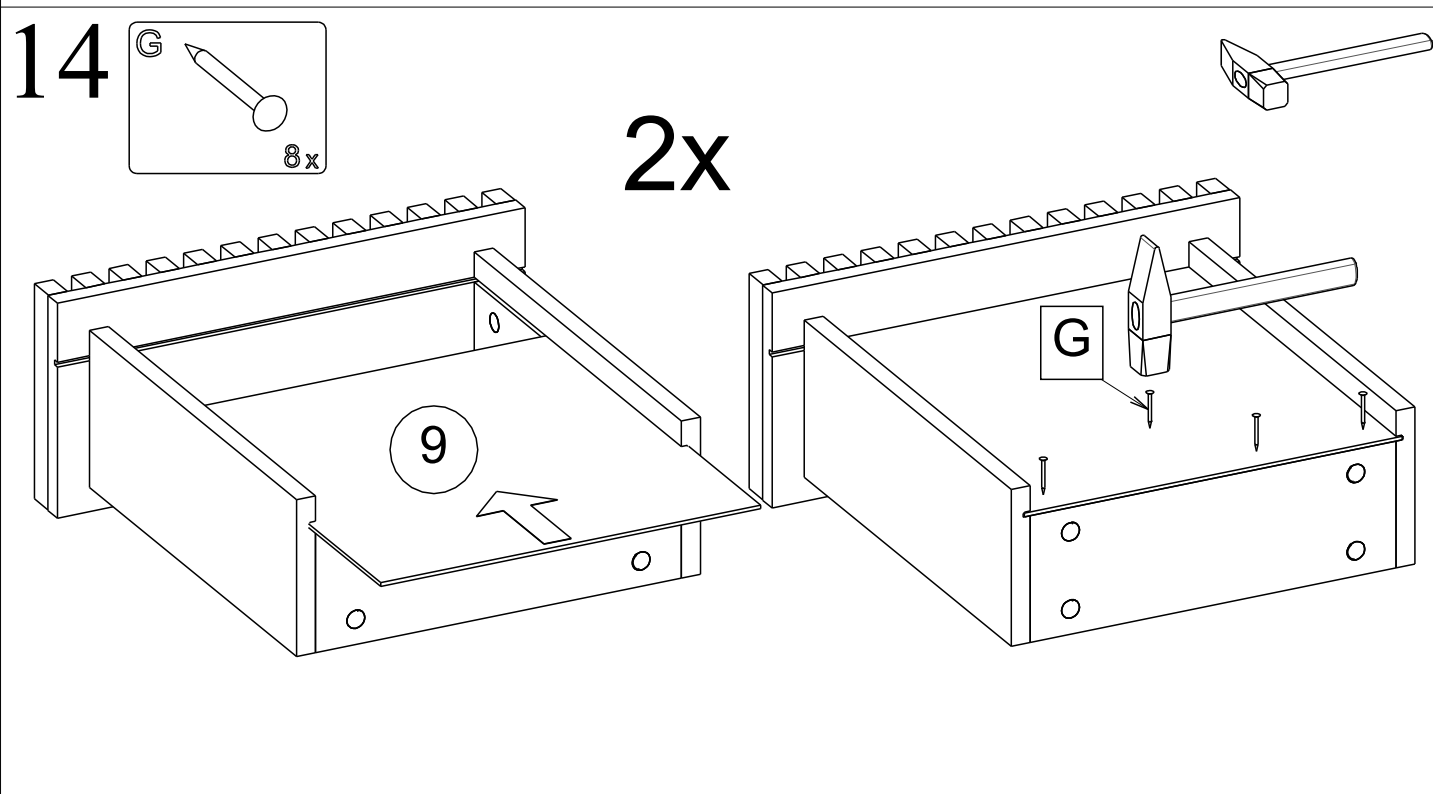
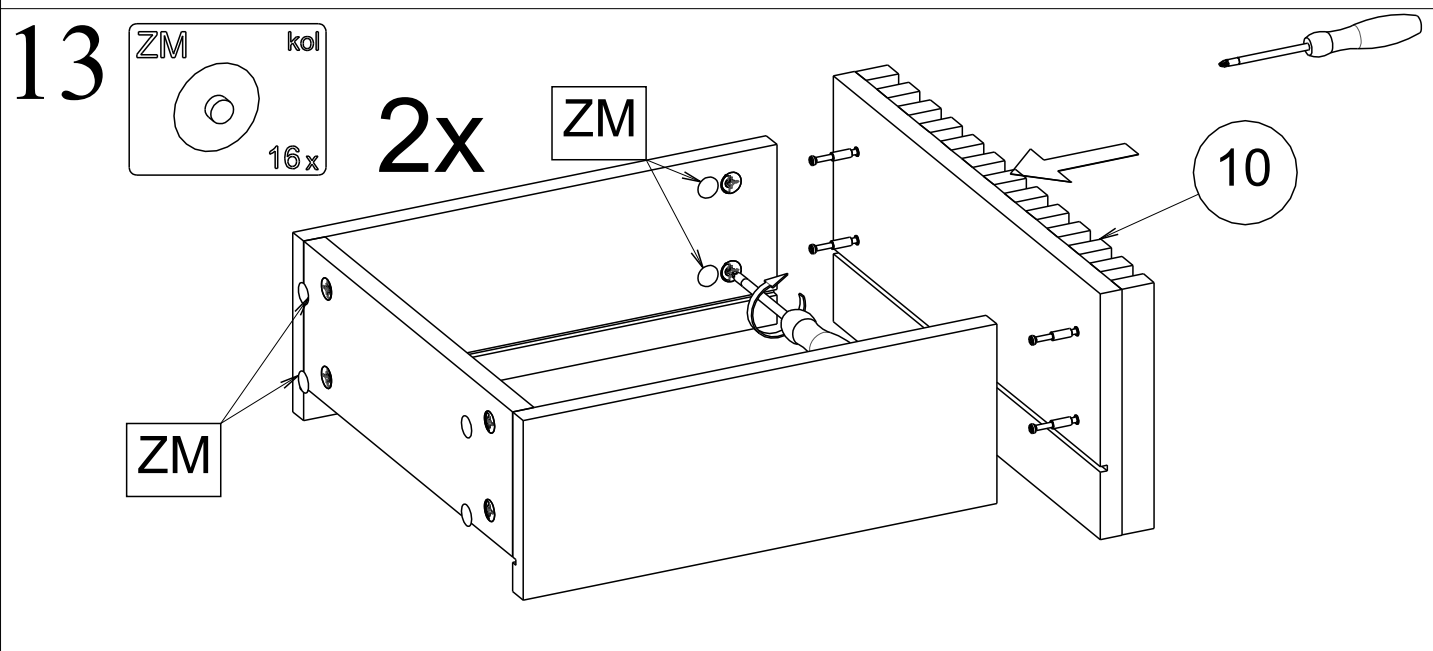
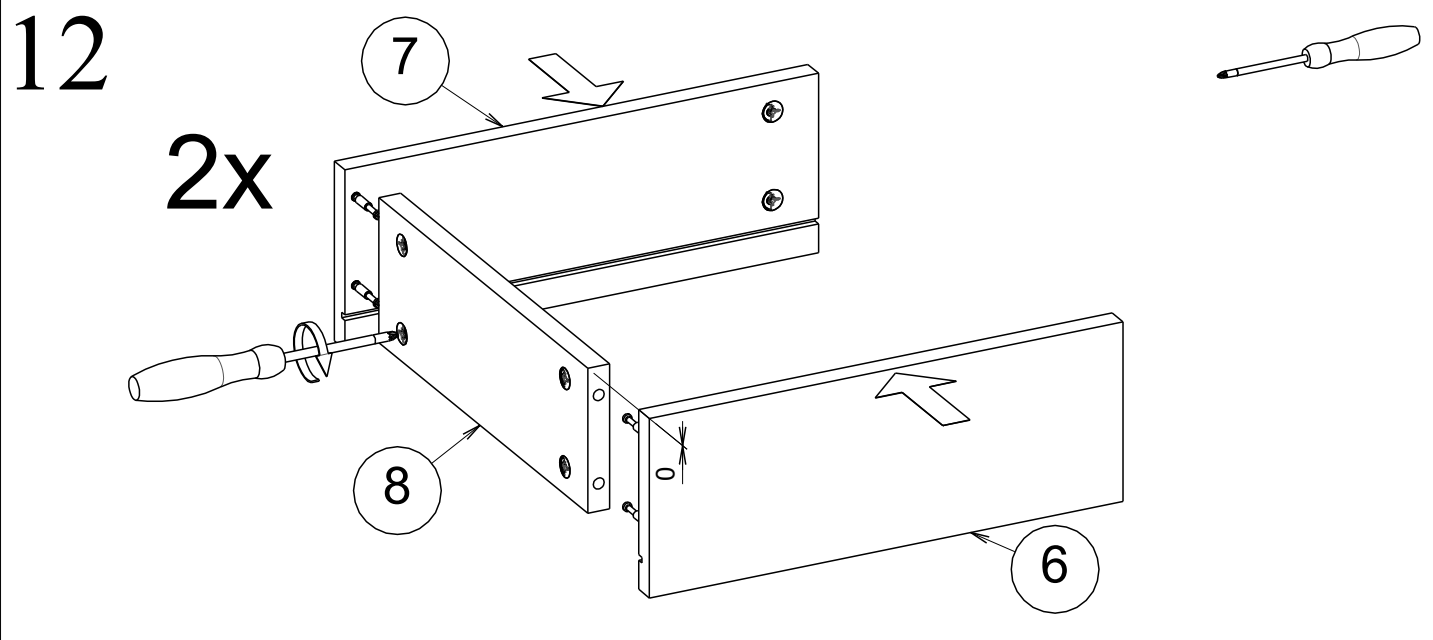


11



2x



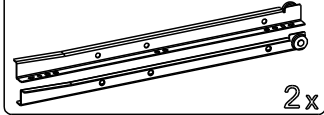




15

ROL 2/2

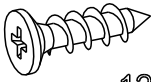
L+R



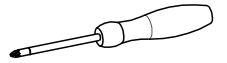
2x

W2

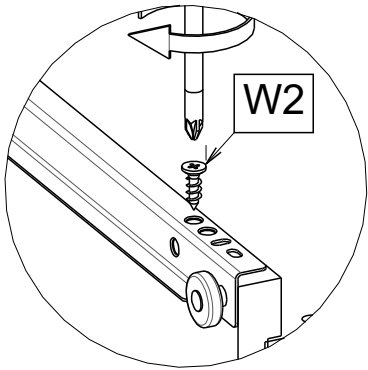
4x16



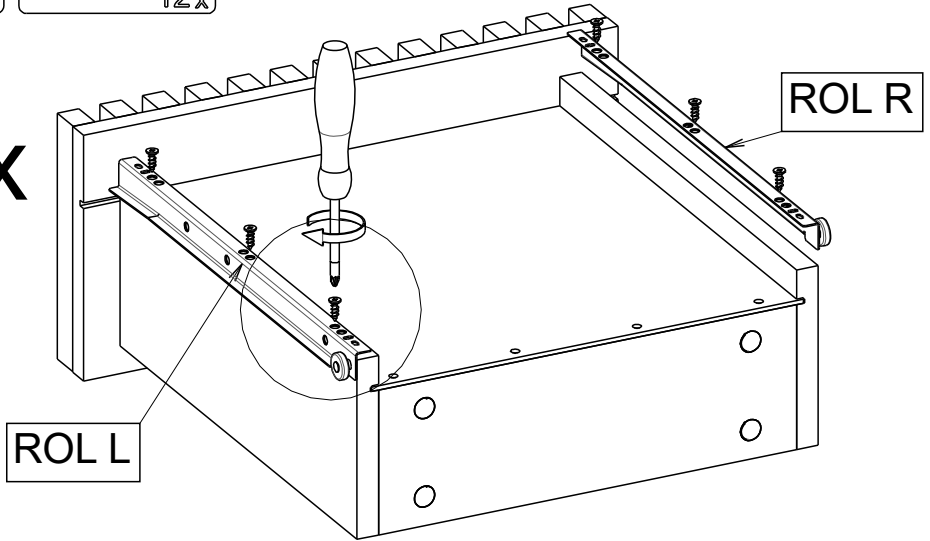
12x



2x



ROL L



16

