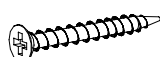
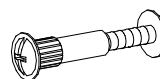

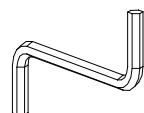
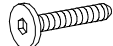



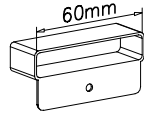
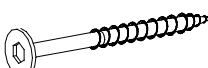


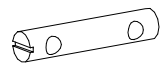

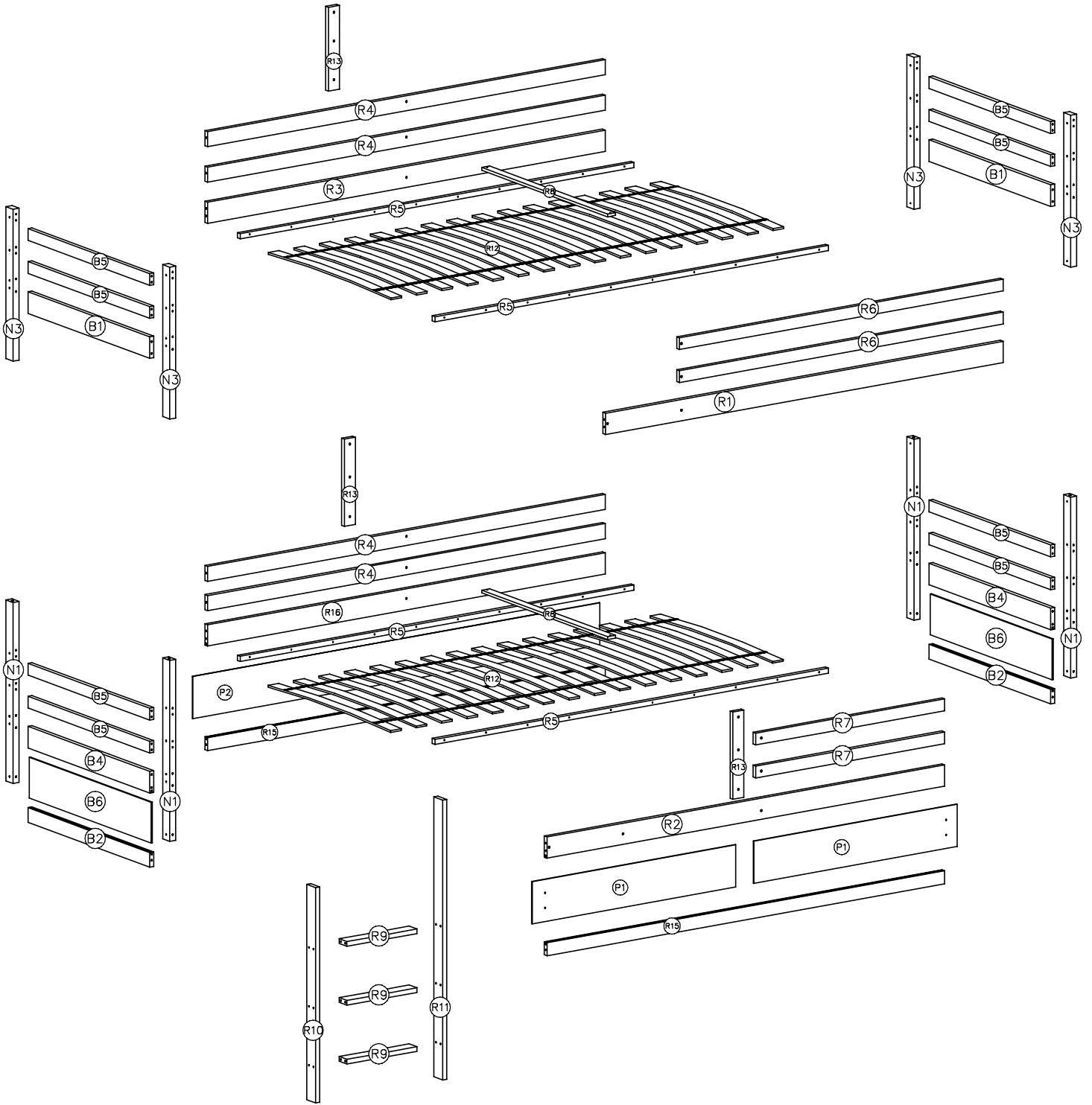
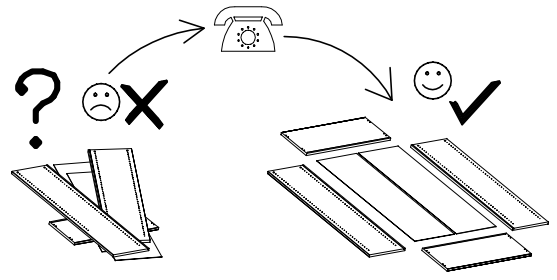
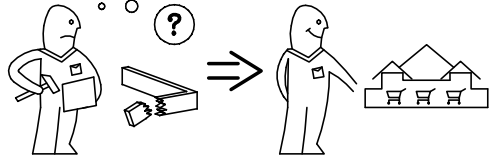
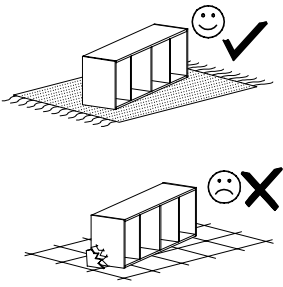
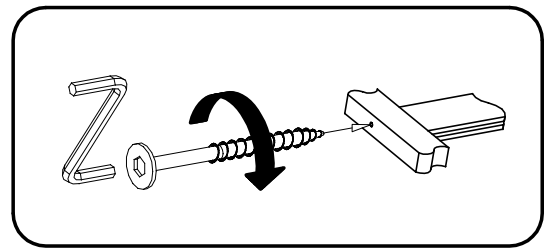
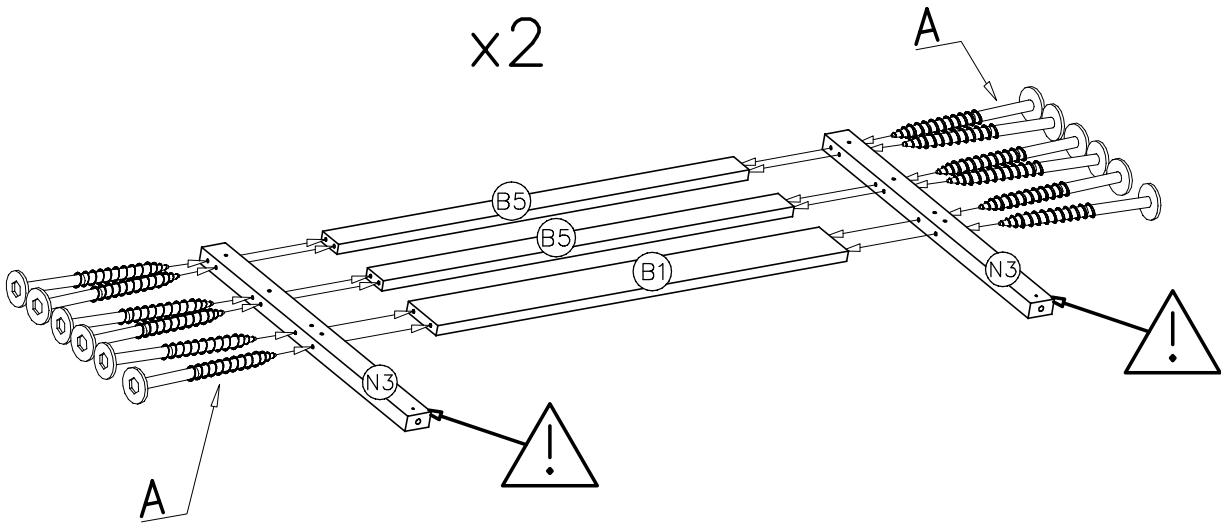


E  4x35 x40	I  x9	K  ø8 x8	G  x1	Z  M6x20 x8
F  3,5x30 x4	W  4x16 x4	U  x2	M  60mm x16	A  6x80 x52
B  6x70 x30	C  6x50 x17	J  x4	D  6x13 x16	



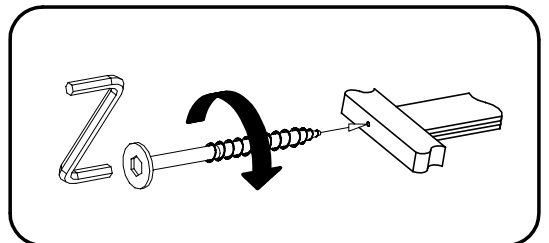
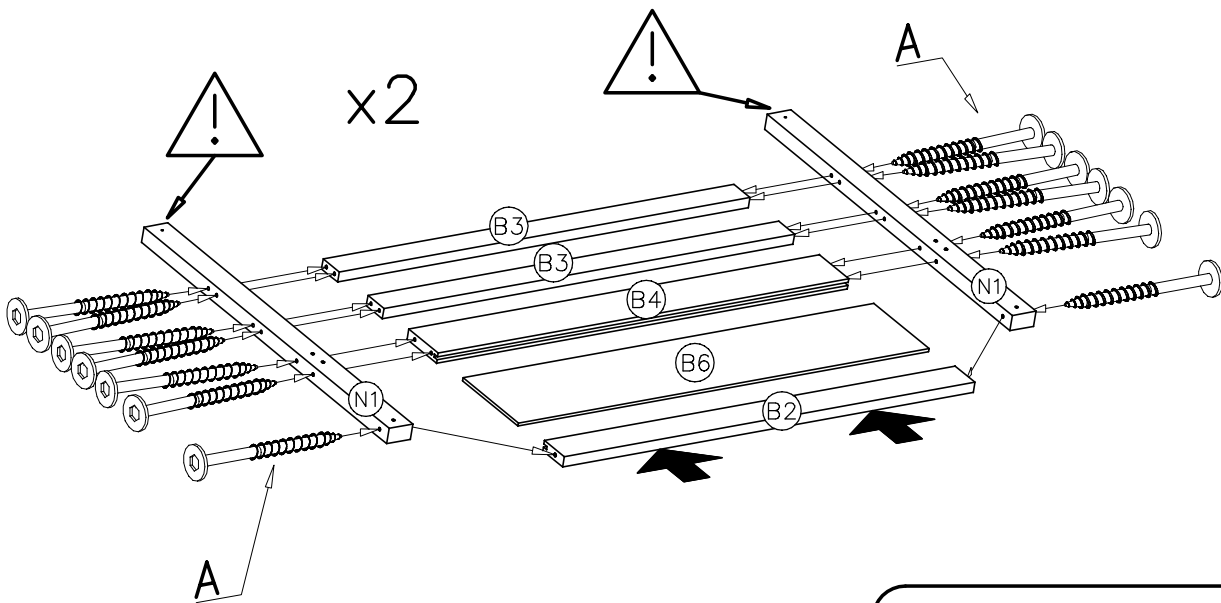
I

A
6x80 x24



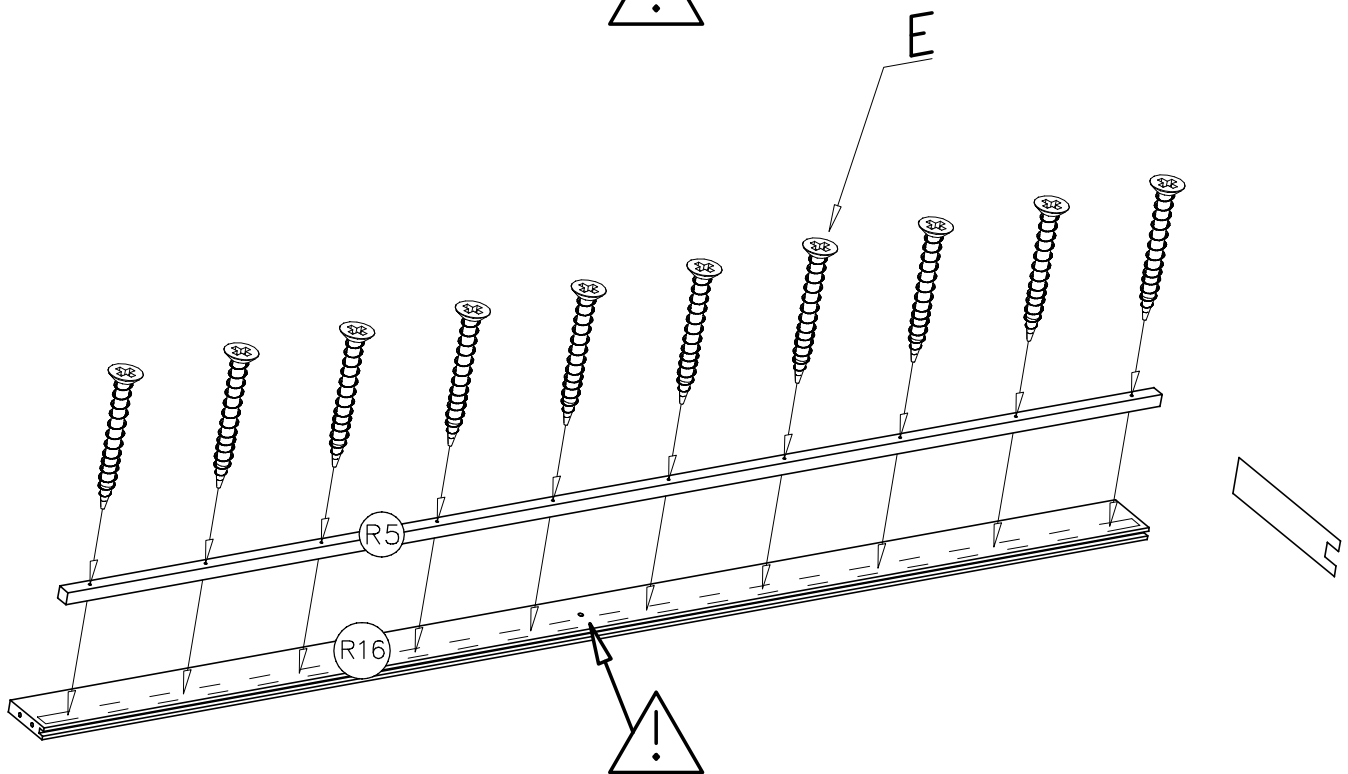
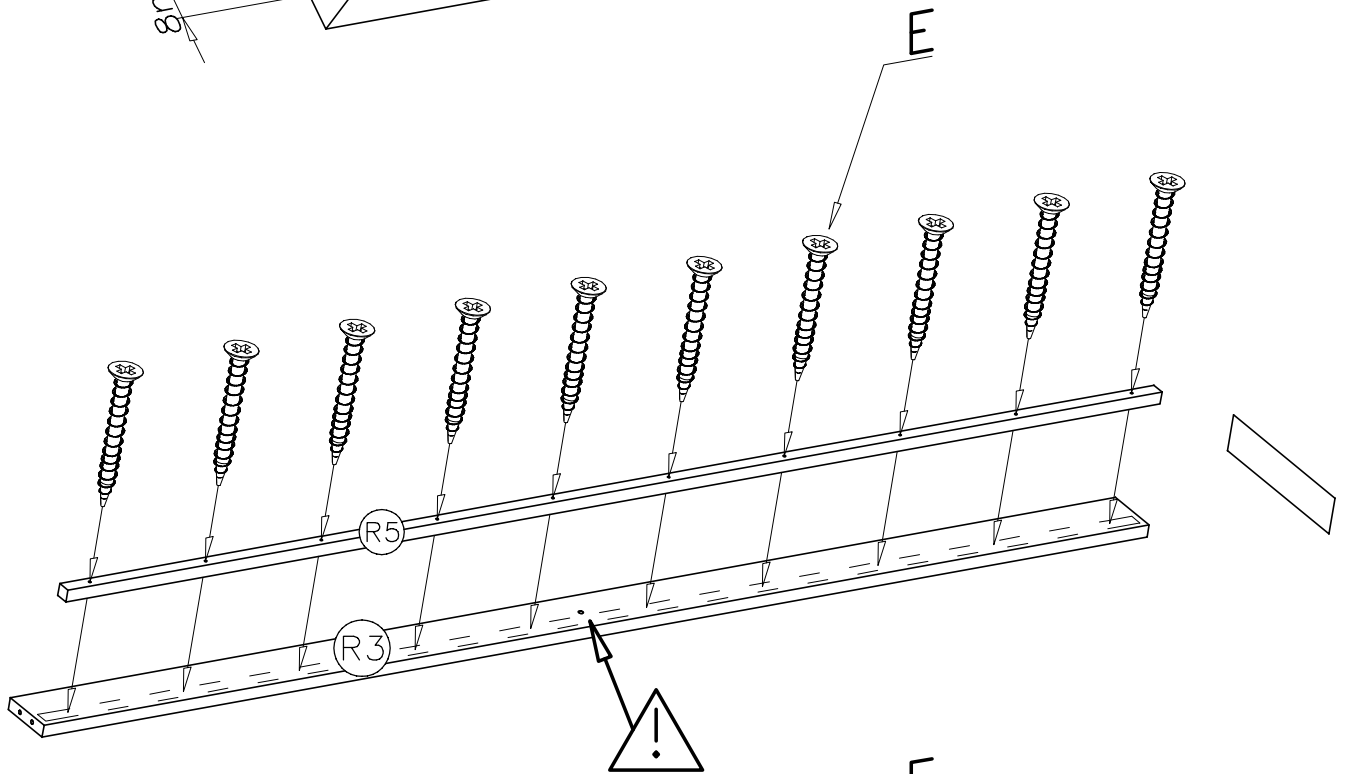
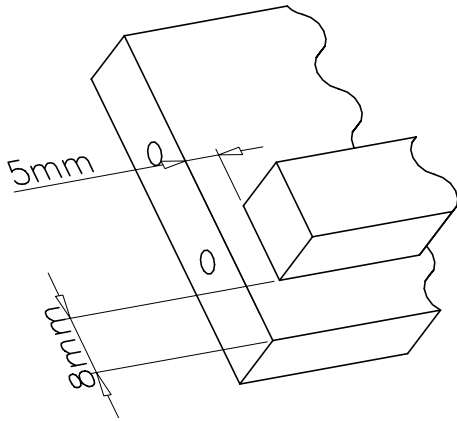
II

A
6x80 x28

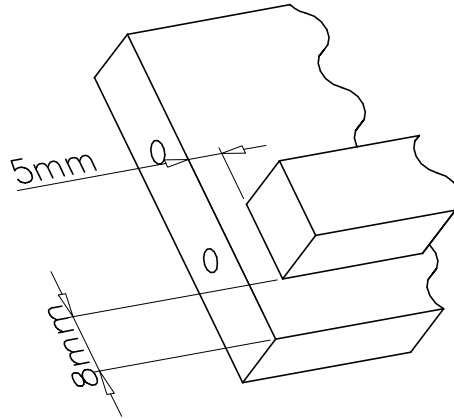
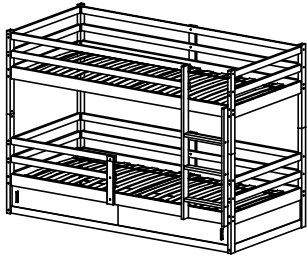


III

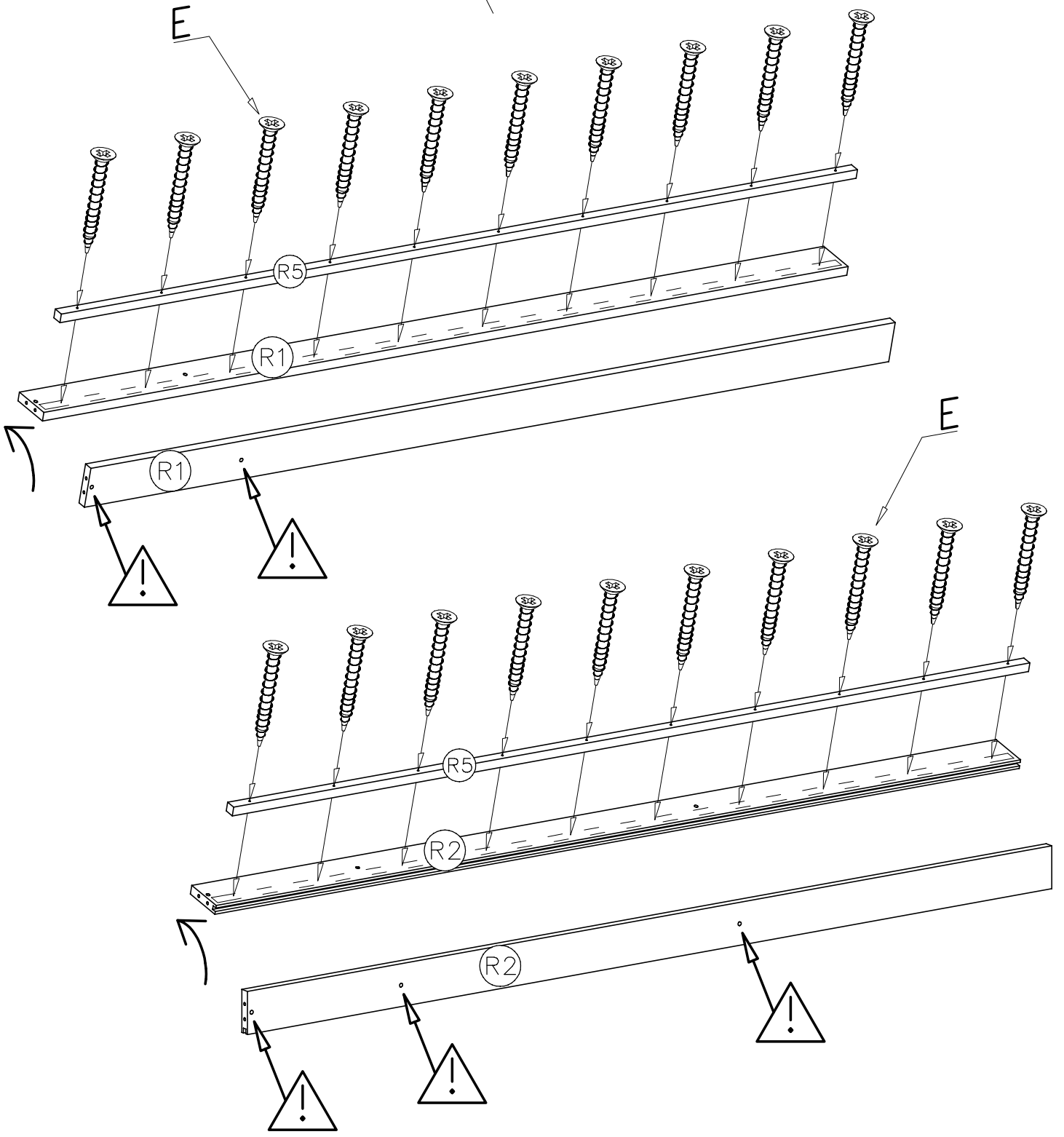
E
4x35 x20



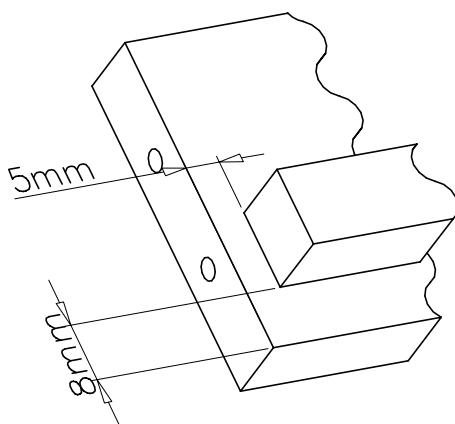
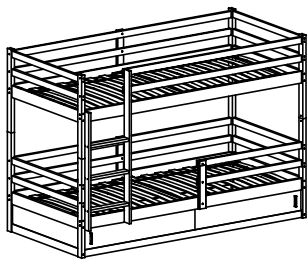
IV



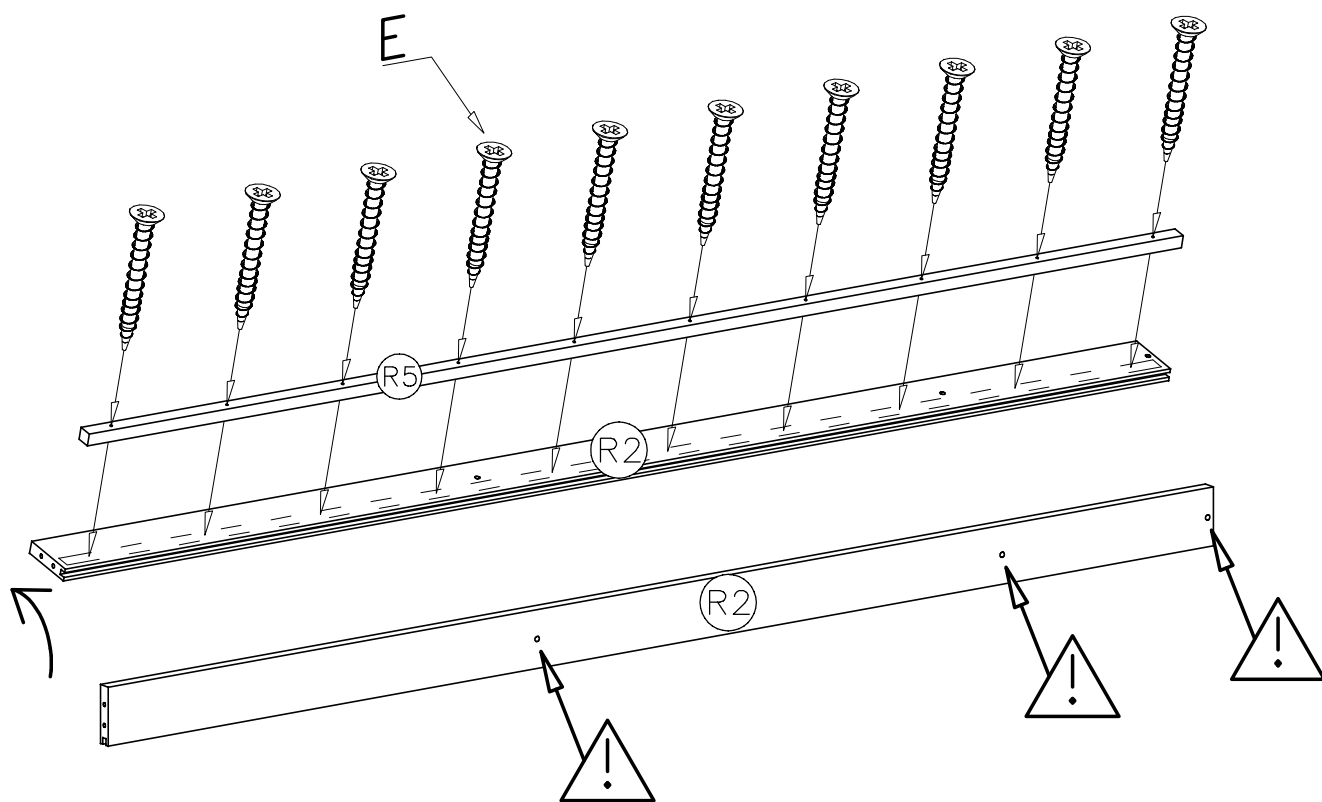
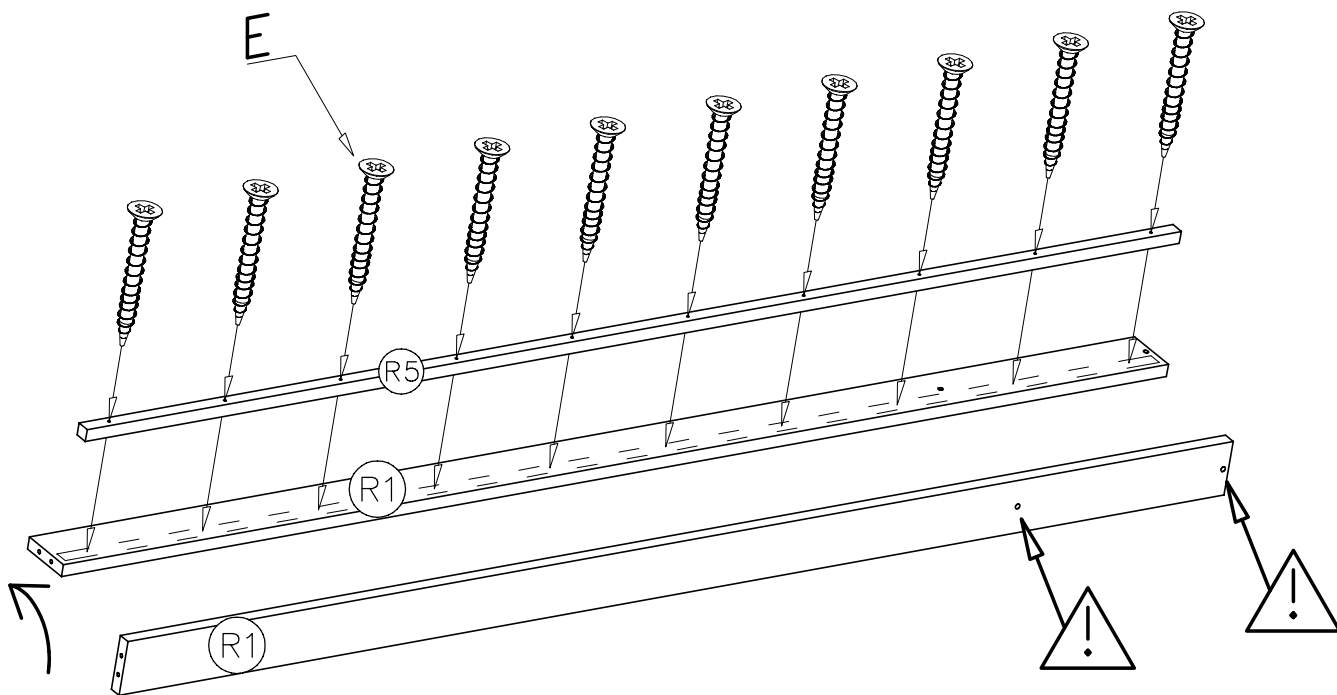
E
4x35 x20



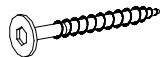
V

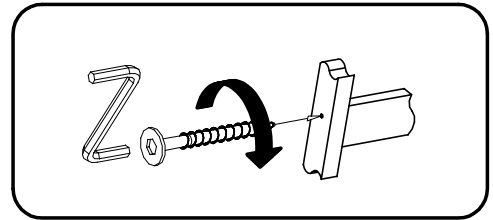
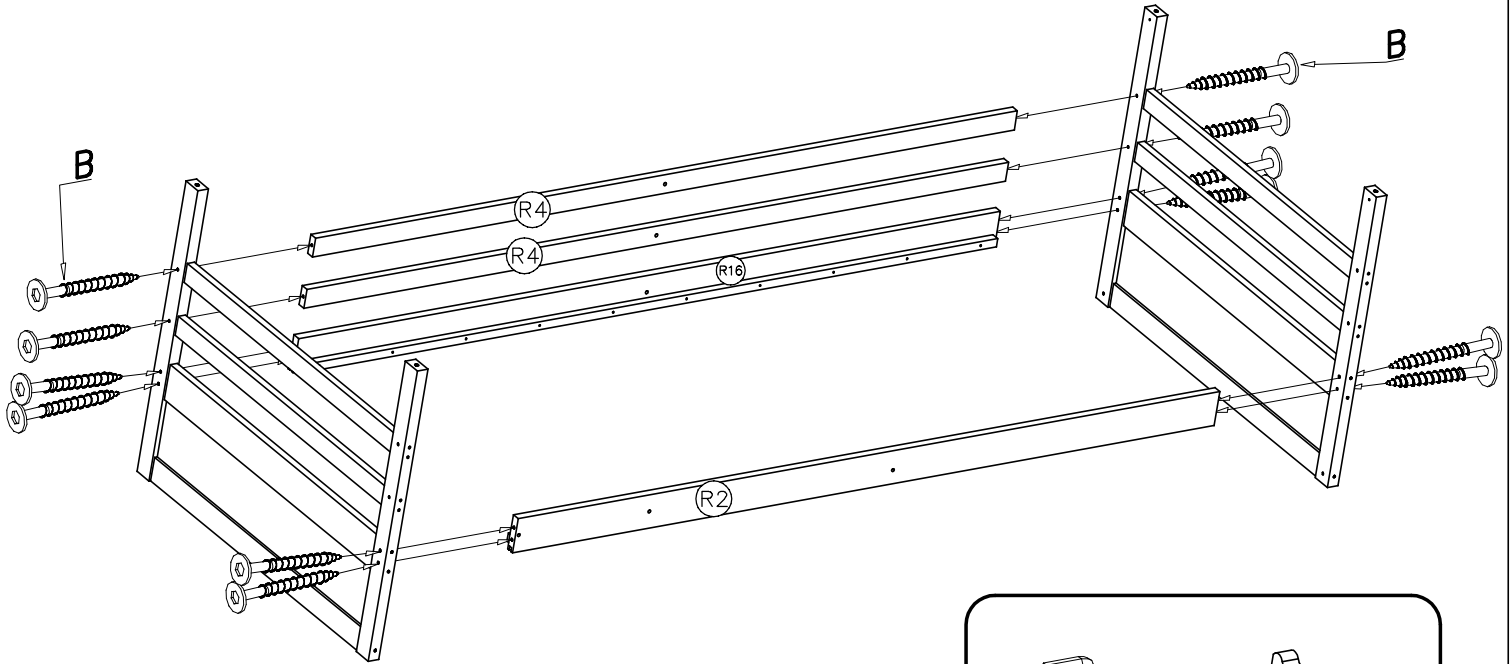


E
4x35 x20

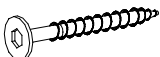




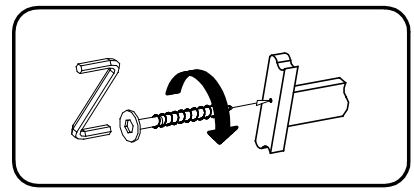
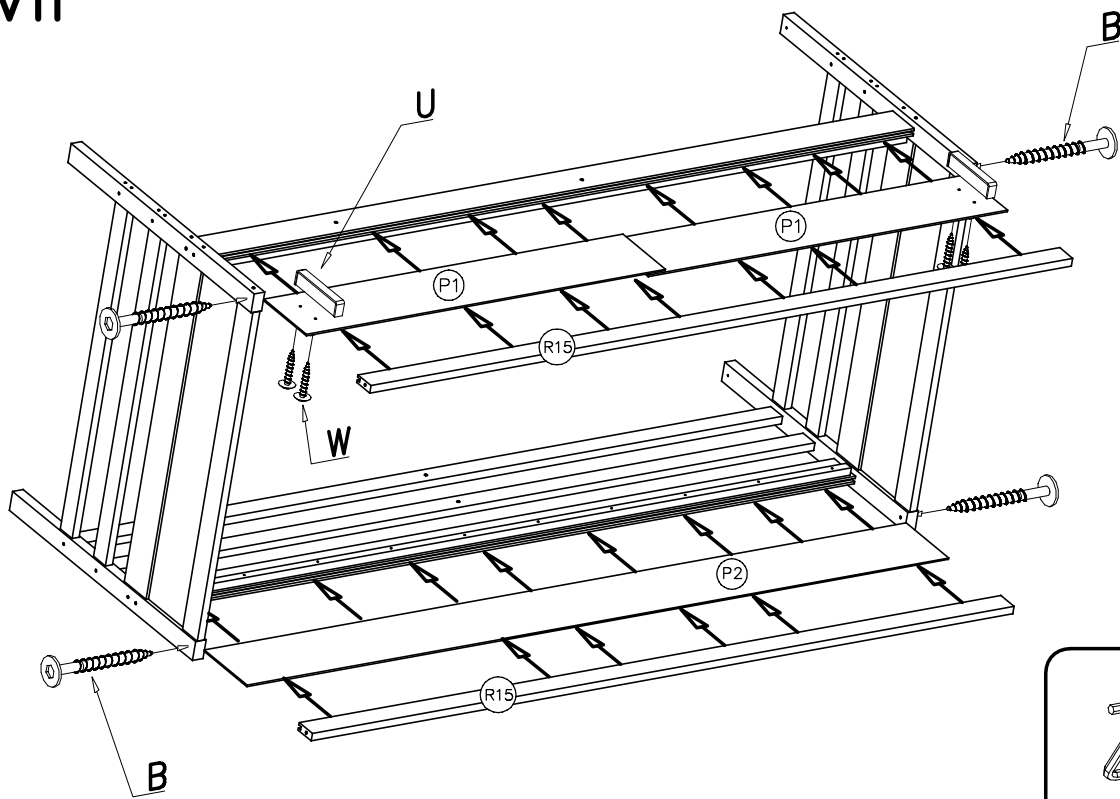
VI

B	
6x70	x12

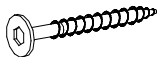



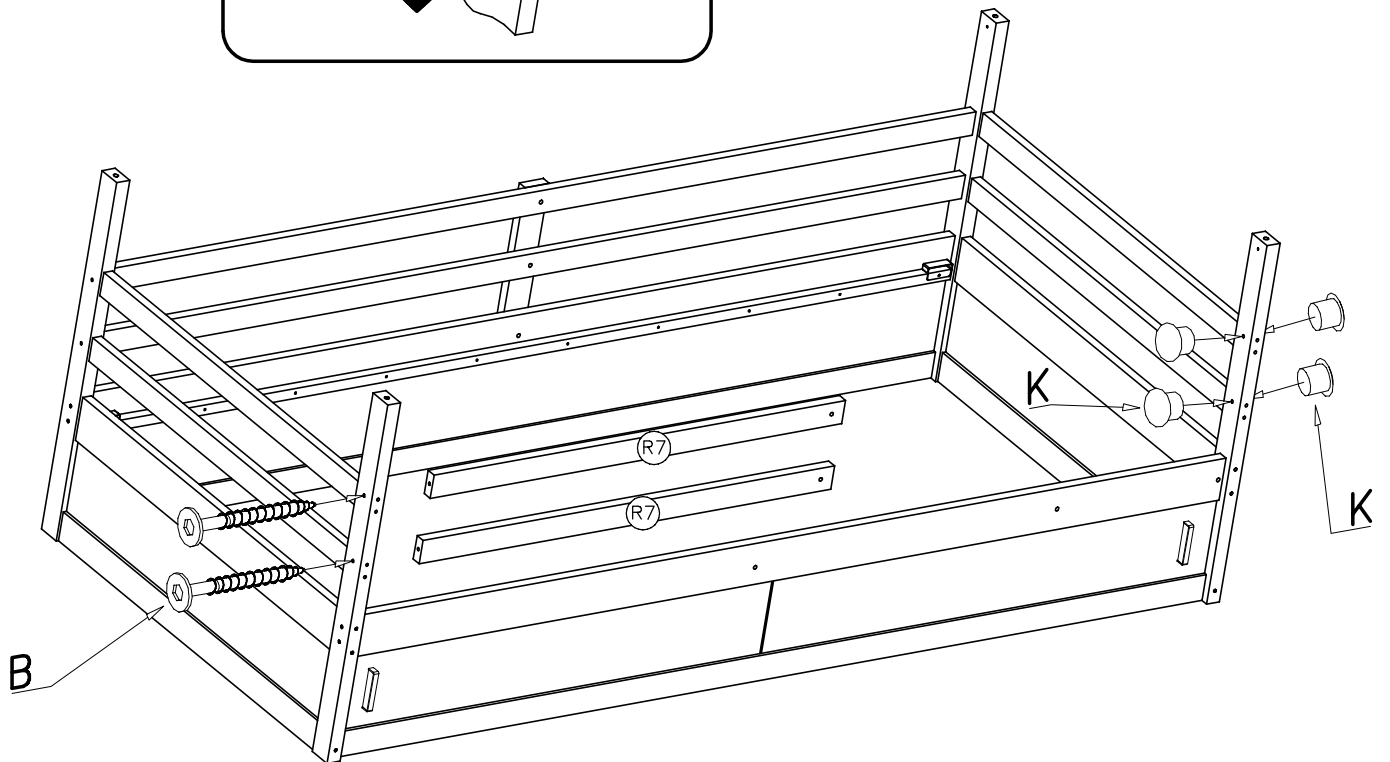
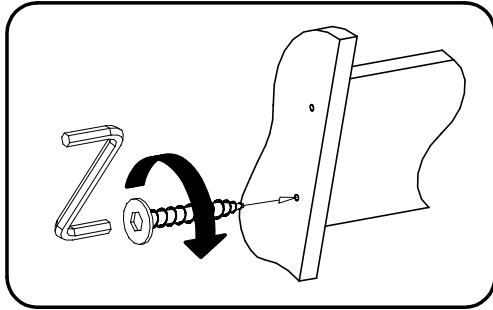
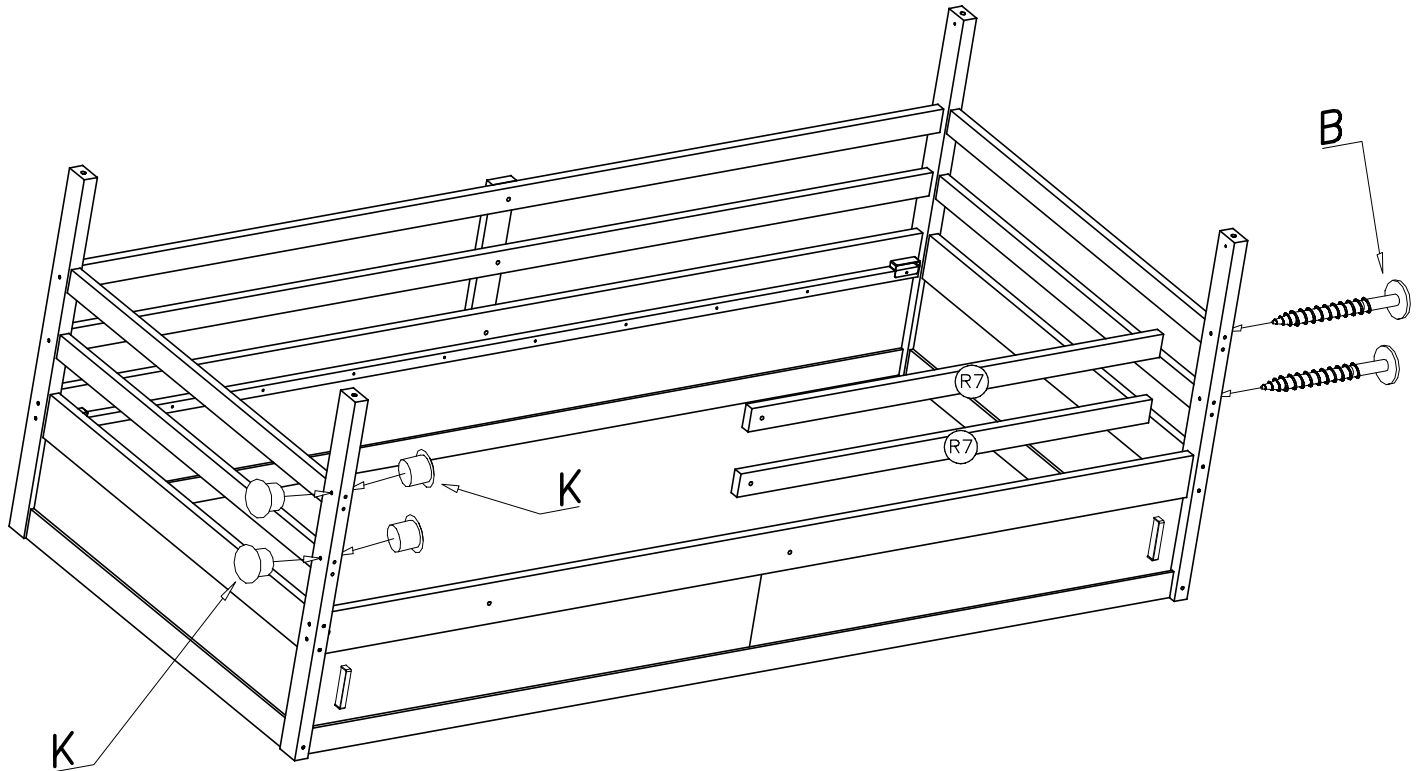
VII

B	
6x70	x4
W	
4x16	x4
U	
	x2



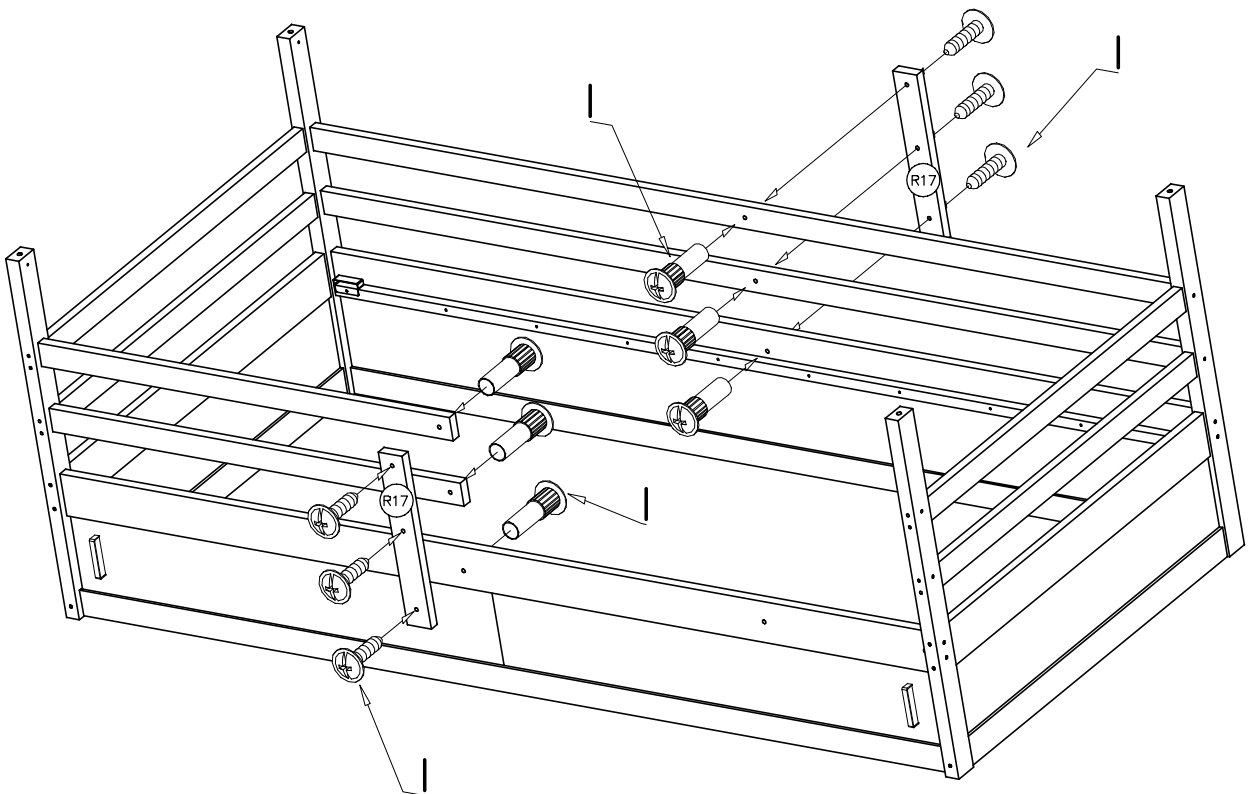
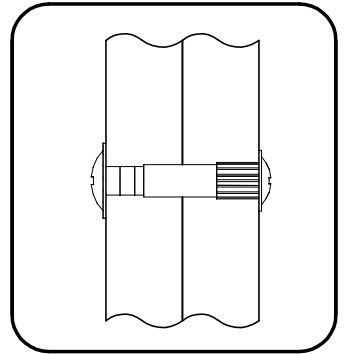
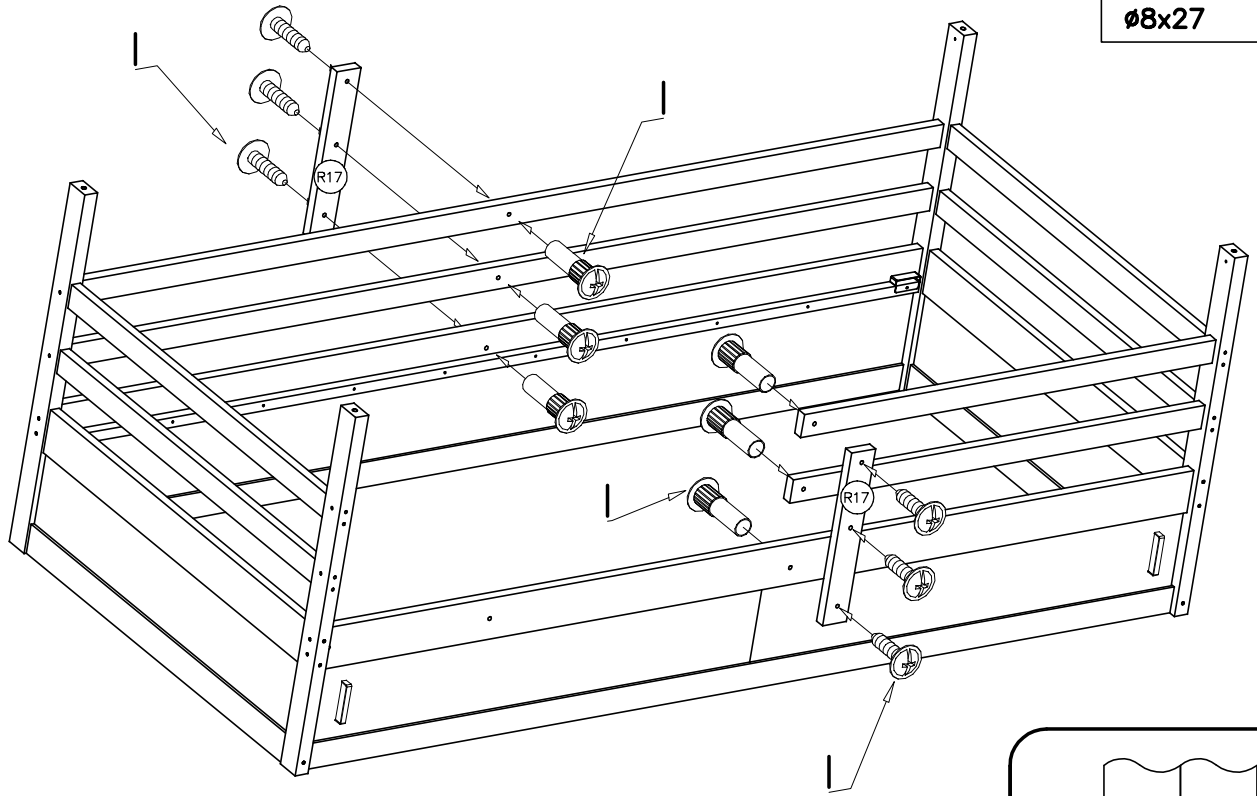
VIII

B		K	
6x70	x2	ø8	x4



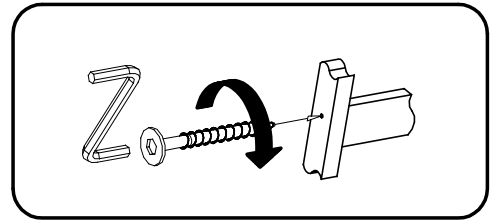
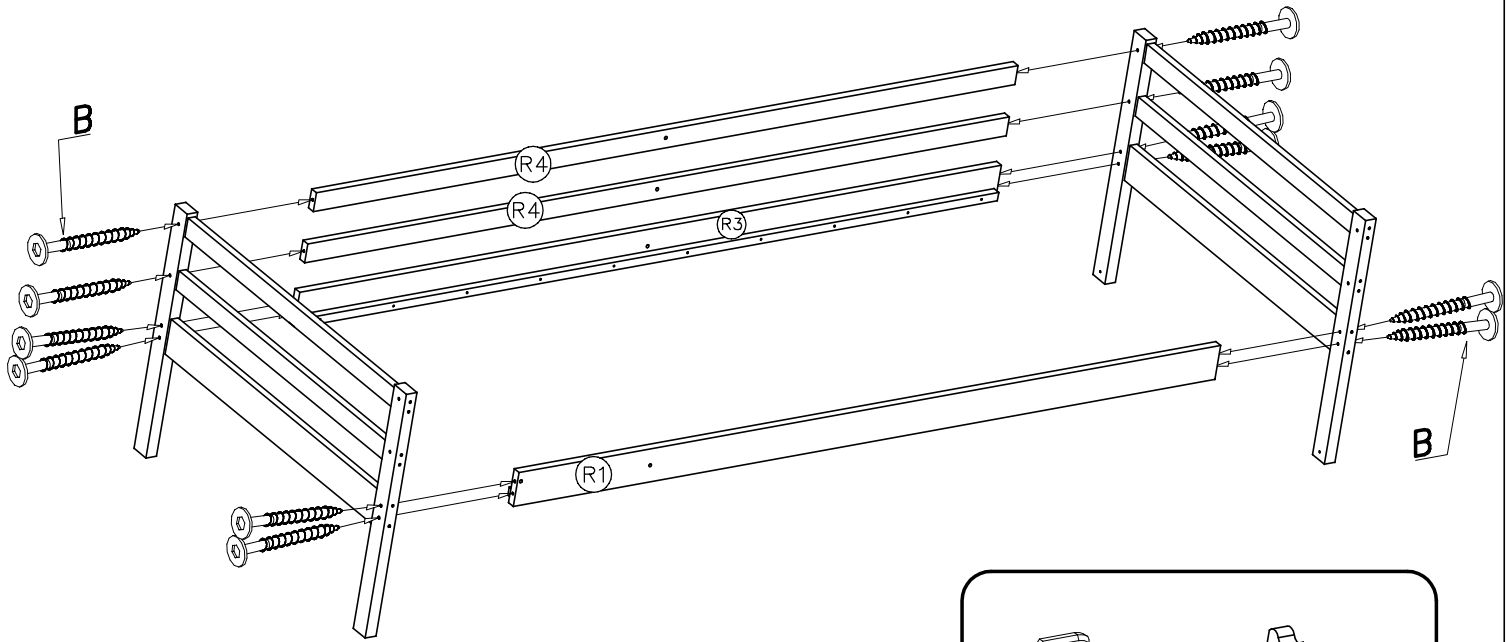
IX

I
ø8x27 x6



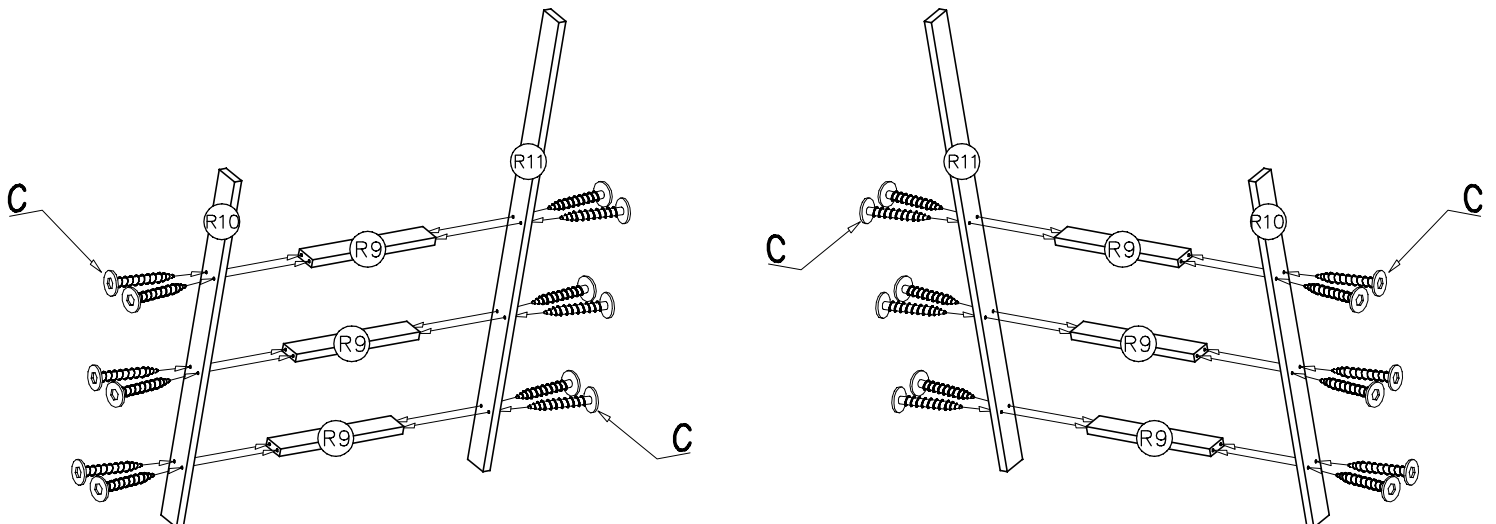
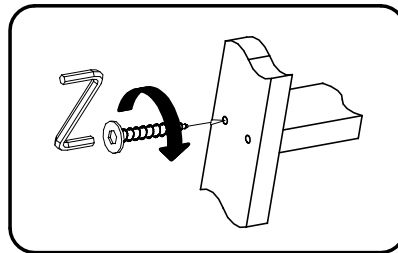
X

B
6x70 x12

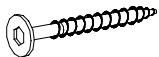



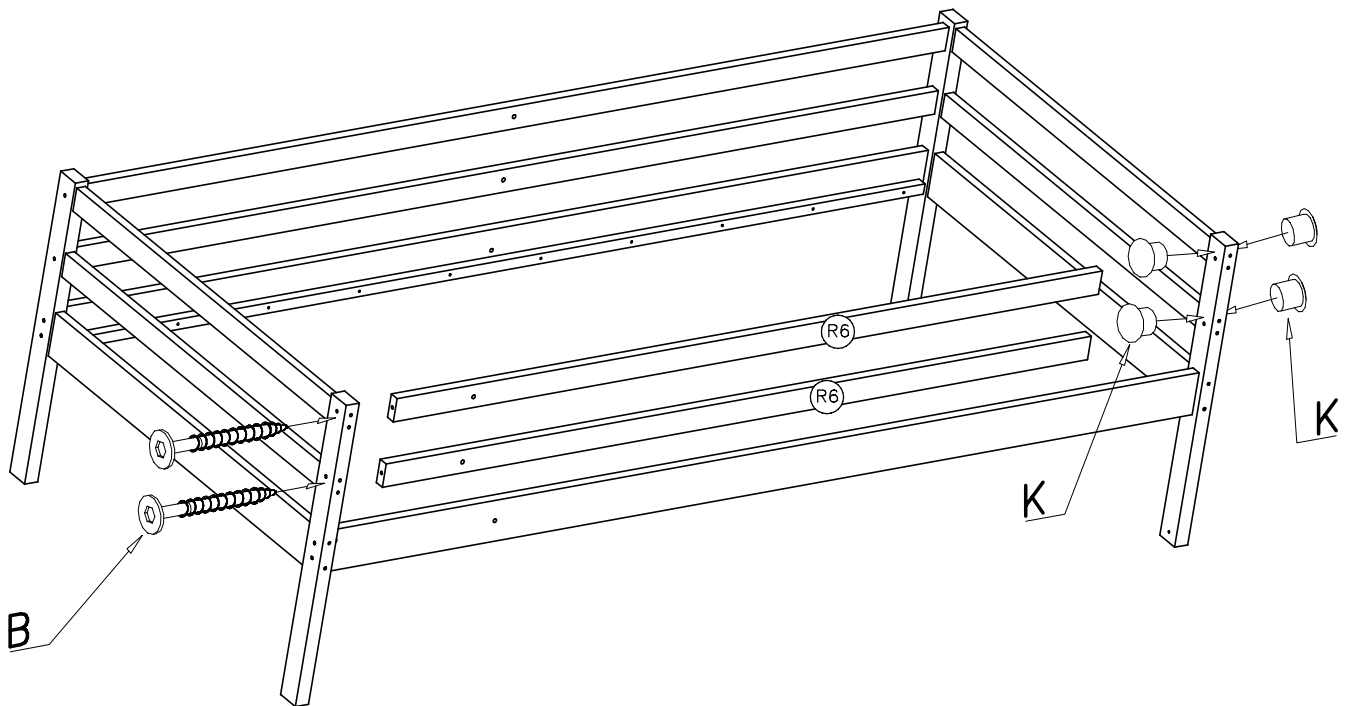
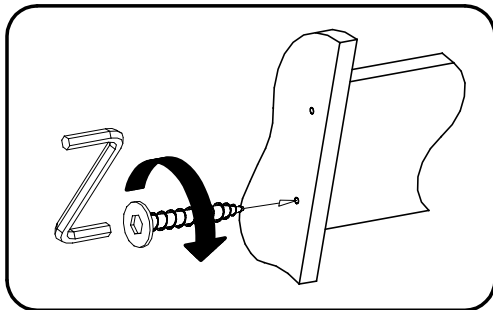
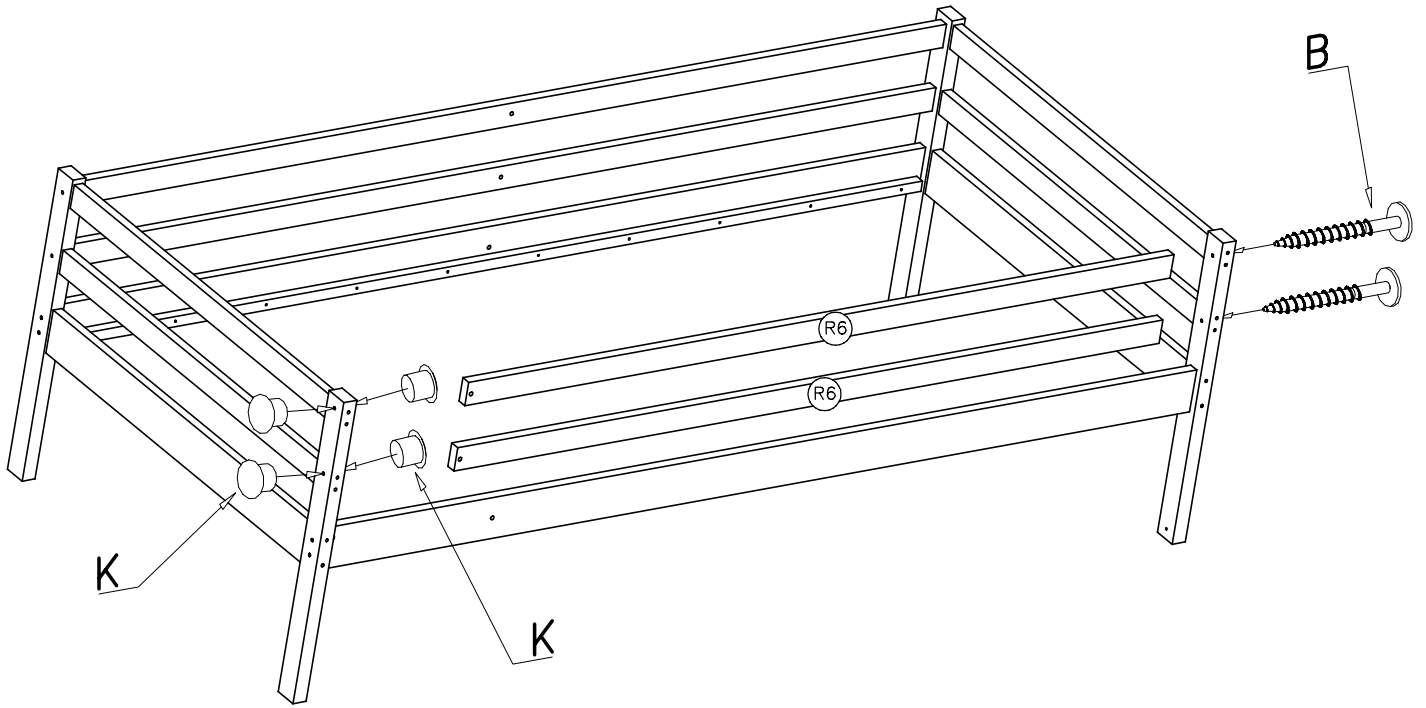
XI

C
6x50 x12



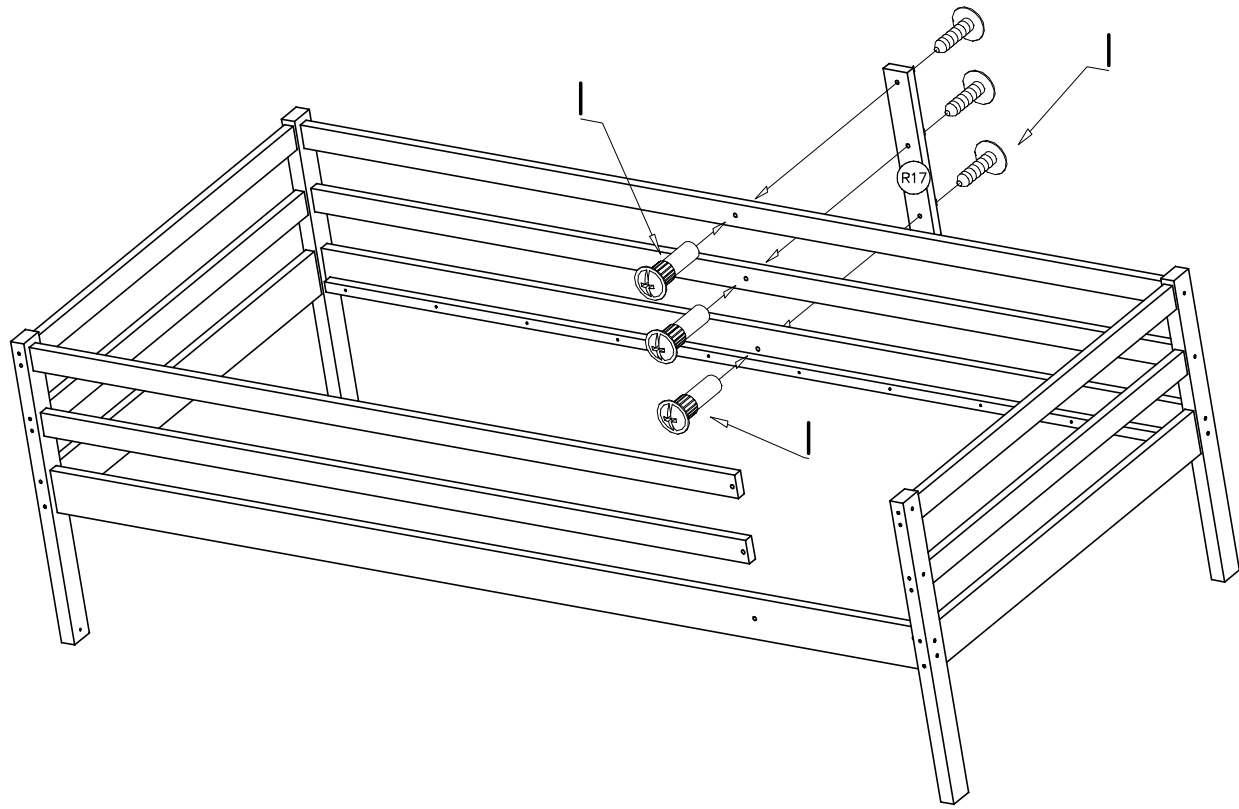
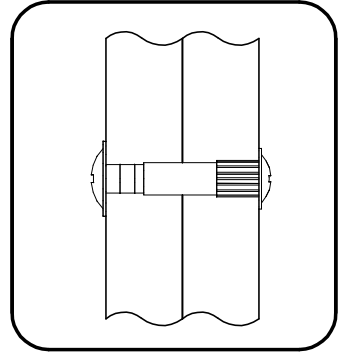
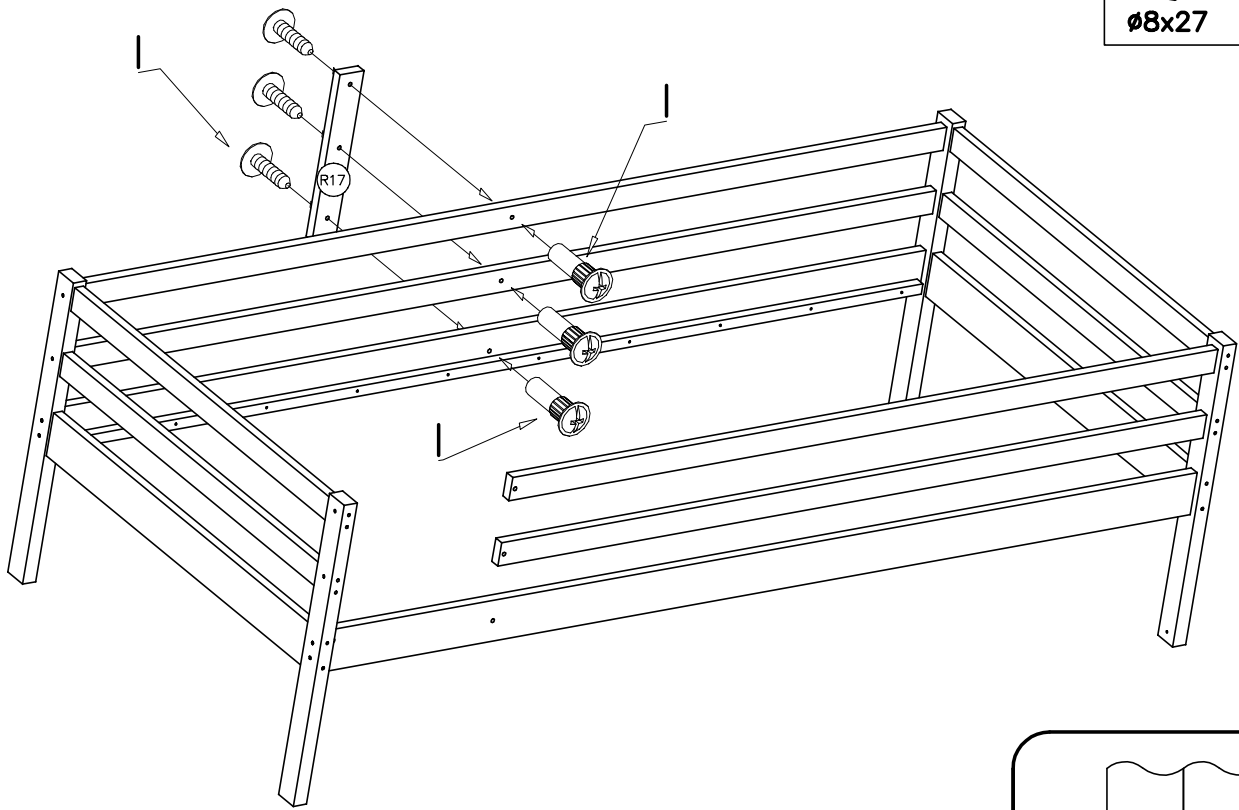
XII

B		K	
6x70	x2	ø8	x4

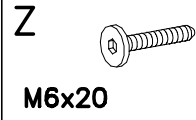


XIII

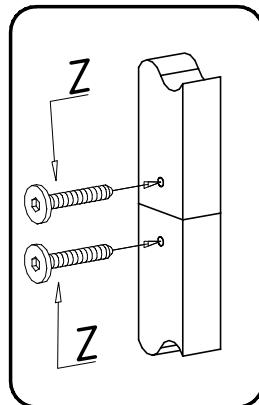
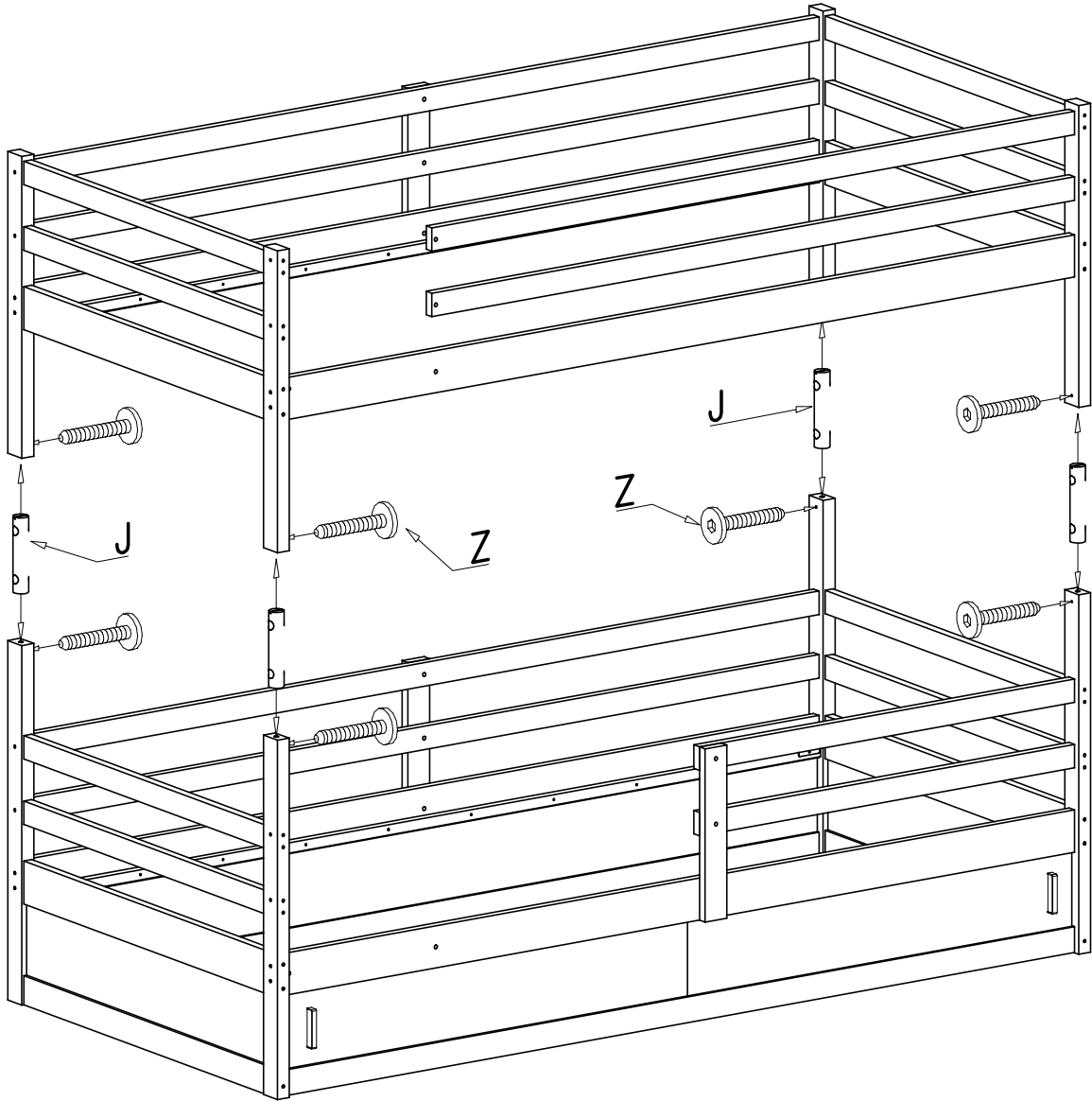
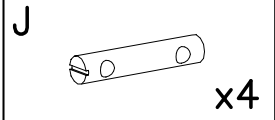
I
ø8x27 x3



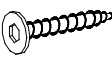
XIV

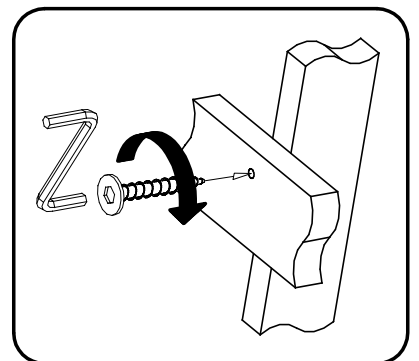
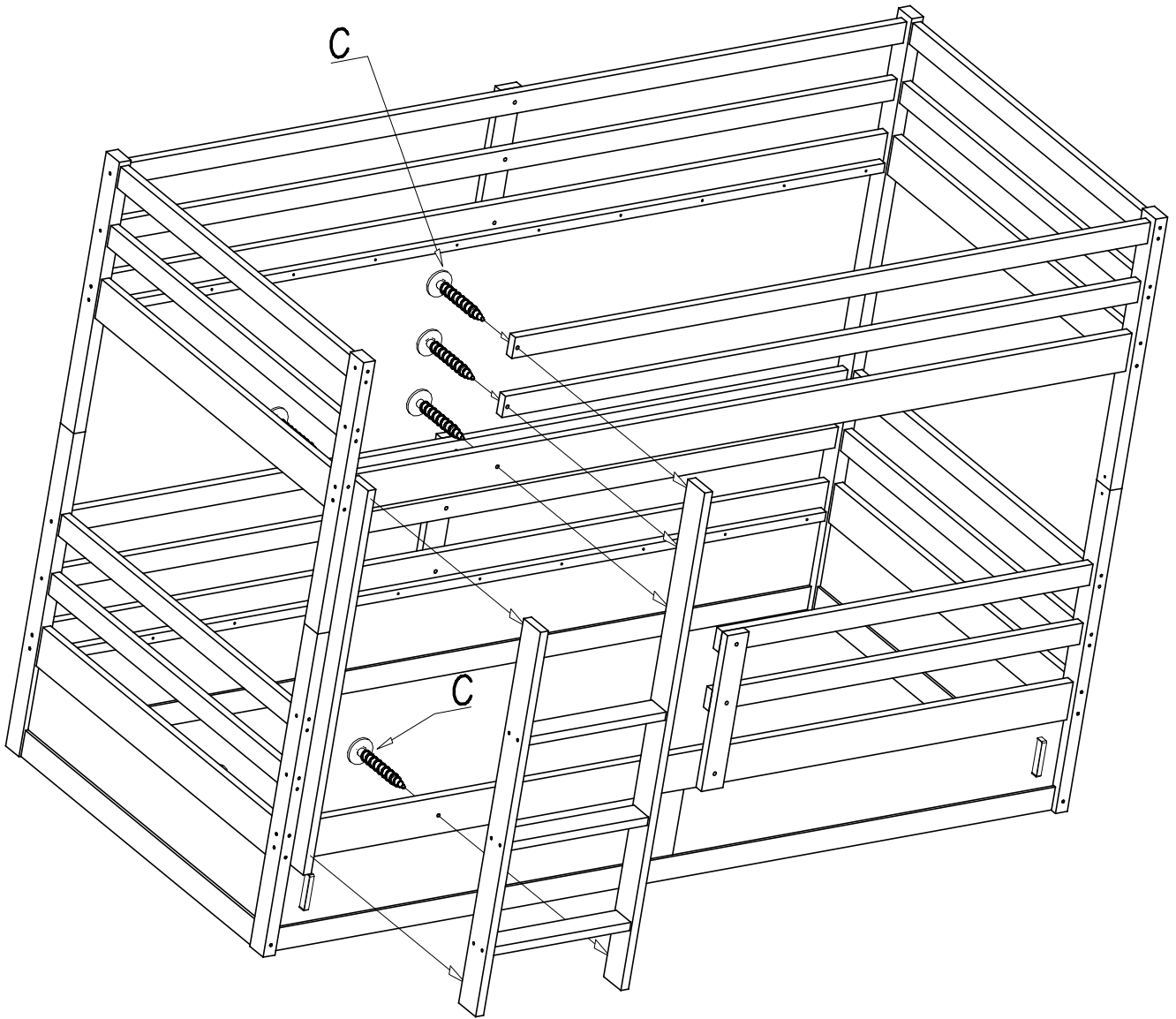


x8

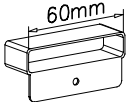
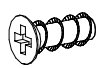


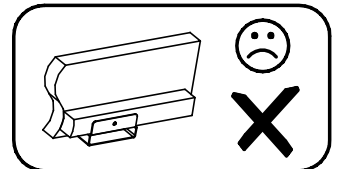
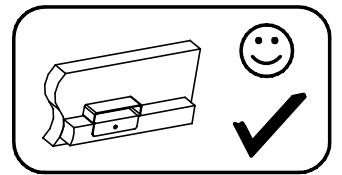
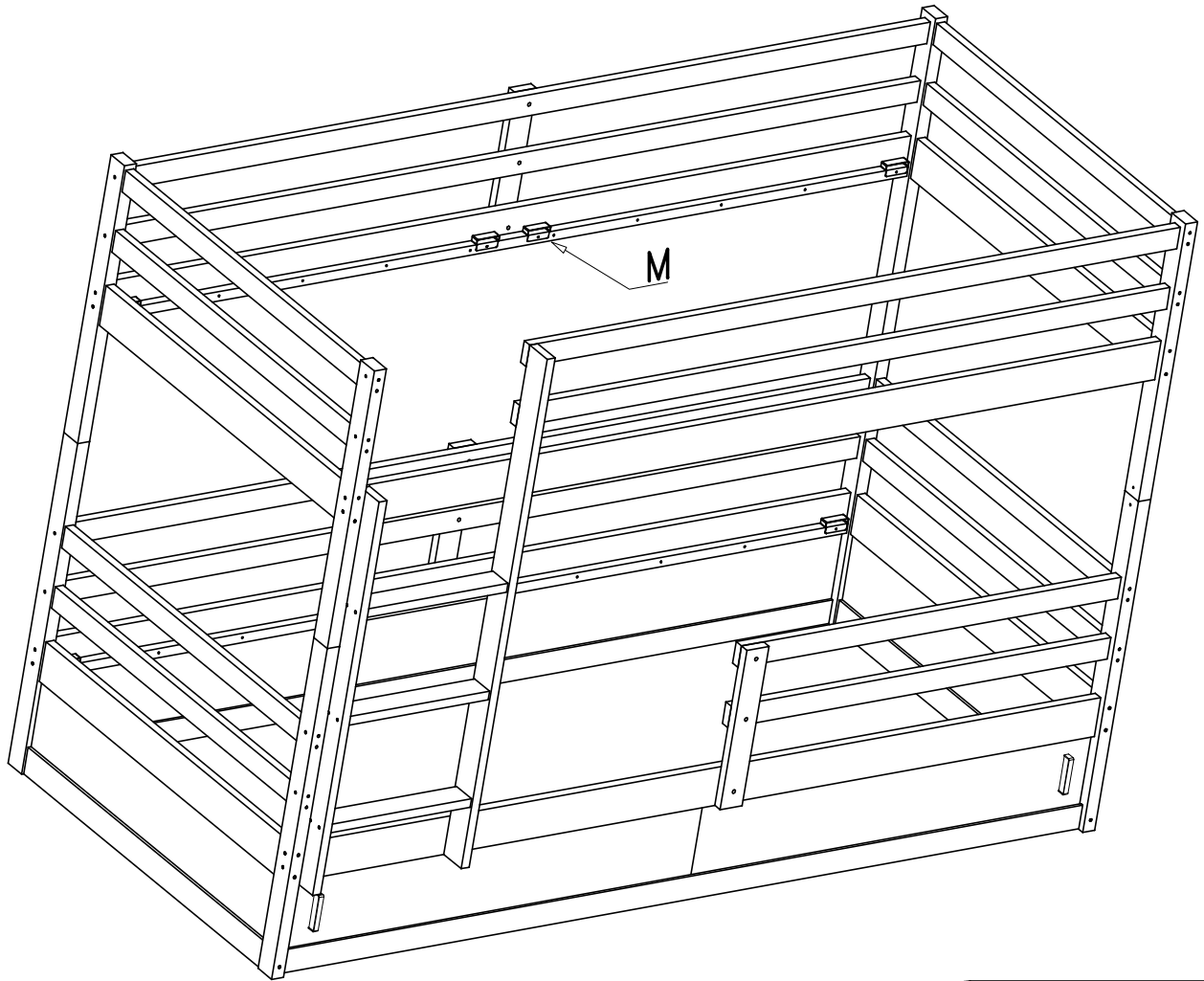
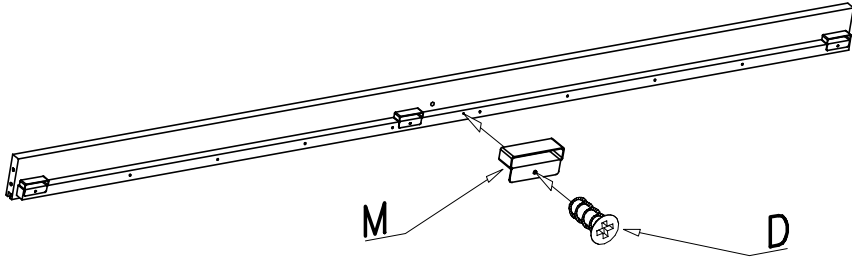
XV

C 
6x50 x6

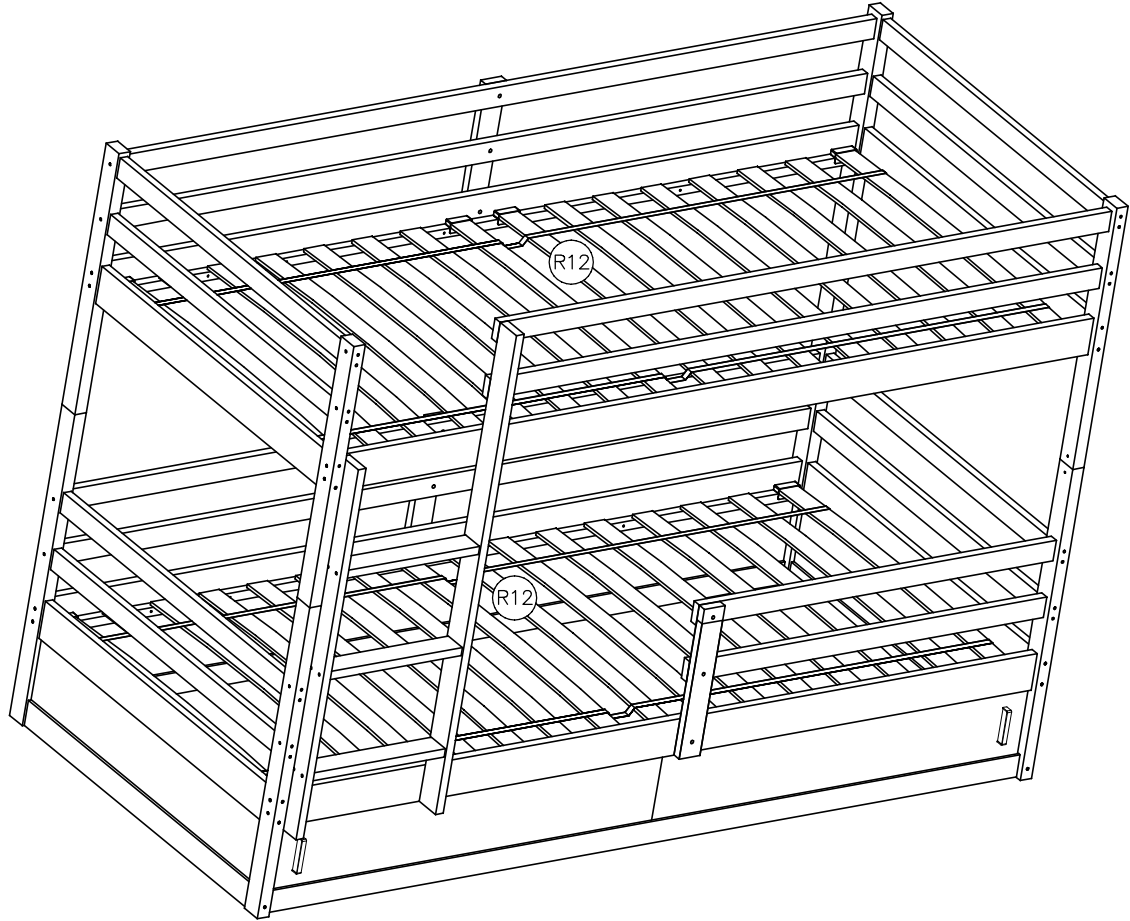


XVI

- M  60mm x16
- D  6x13 x16



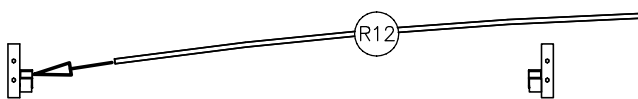
XVII



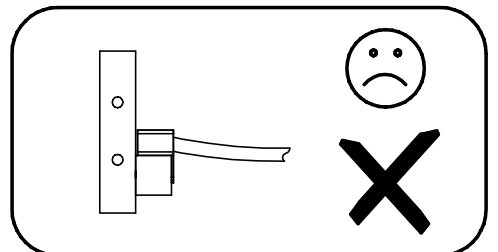
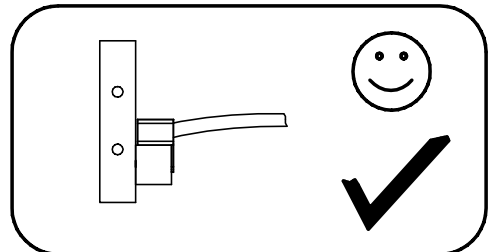
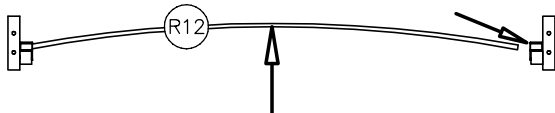
1.



2.



3.



XVIII

F 
3,5x30 x4

