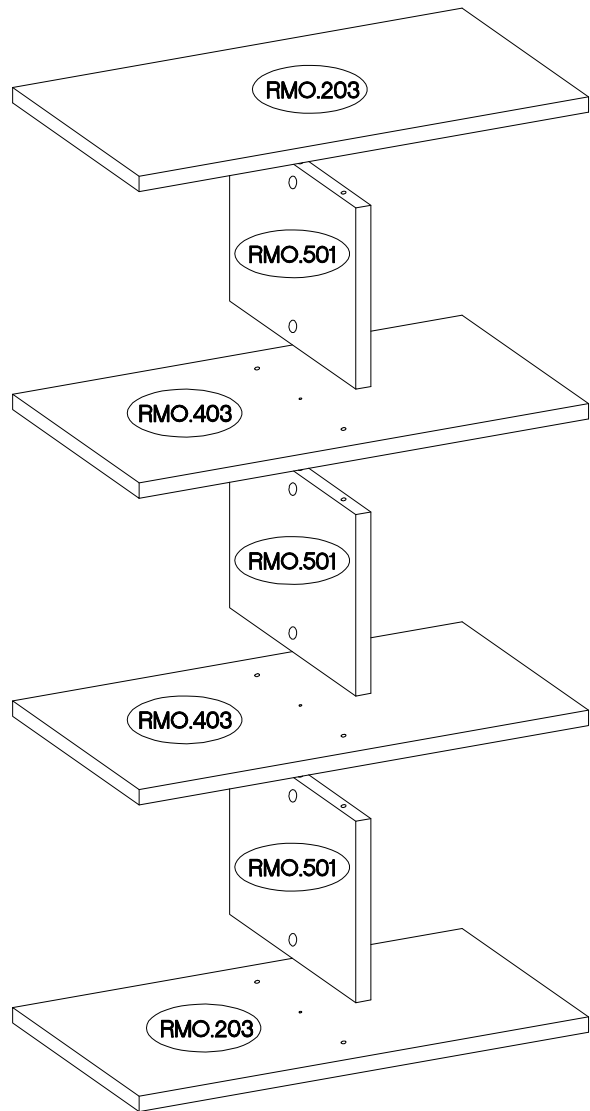
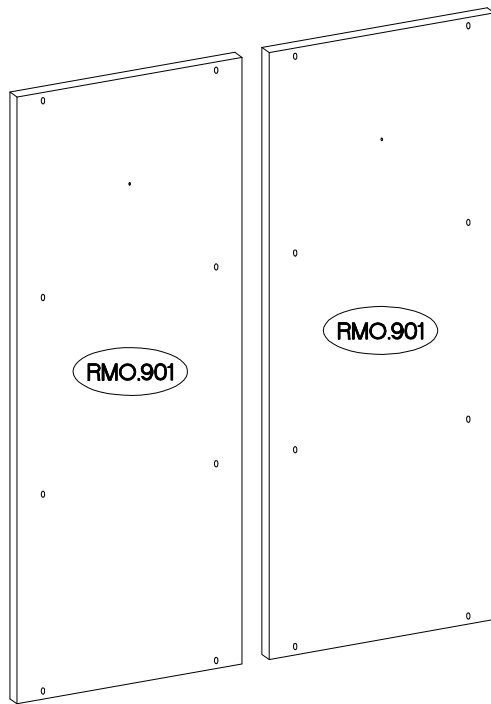


 <b>Ø7</b> 2	 <b>P29</b> 2	 <b>E11</b> 2	 <b>A</b> 12	 <b>B</b> 16	 <b>C6</b> 6	 <b>D2</b> 6	 <b>E</b> 6	 <b>F1</b> 4	 <b>P14</b> 8	 <b>O</b> 1
 <b>Ø10x50mm</b> 2	 <b>Ø5.0x70mm</b> 2	 <b>Ø20</b> 2	 <b>Ø8x30mm</b> 12	 <b>6.4 x 50mm</b> 16	 <b>Ø15/18mm</b> 6	 <b>L=20mm</b> 6	 <b>60x40x20</b> 4	 <b>Ø4.0x25mm</b> 8	 <b>Ø</b> 1	

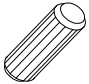

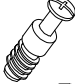
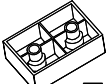



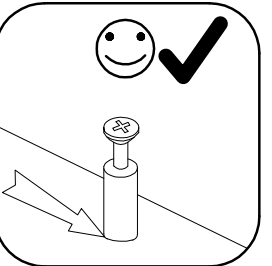
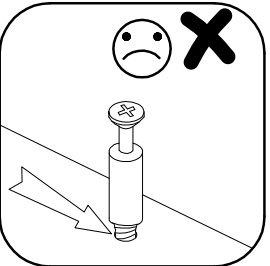
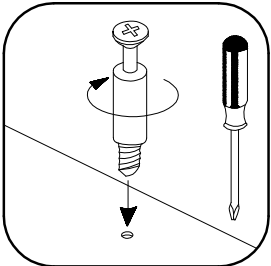
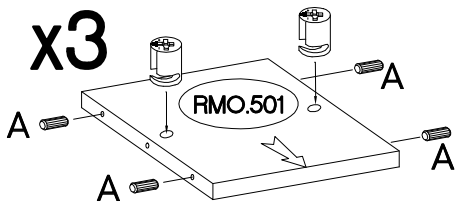
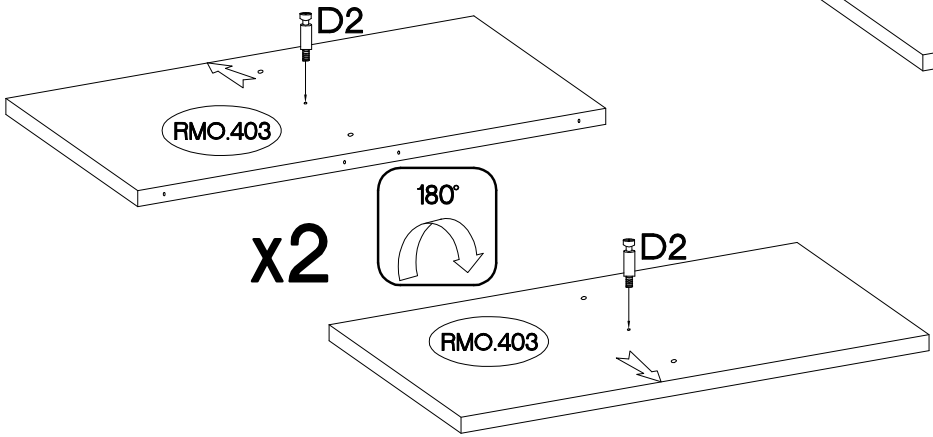
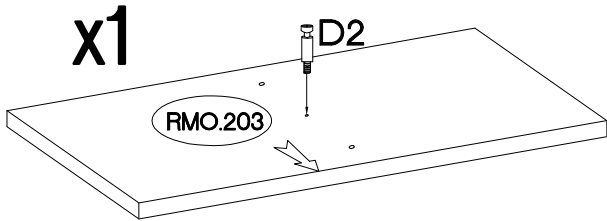
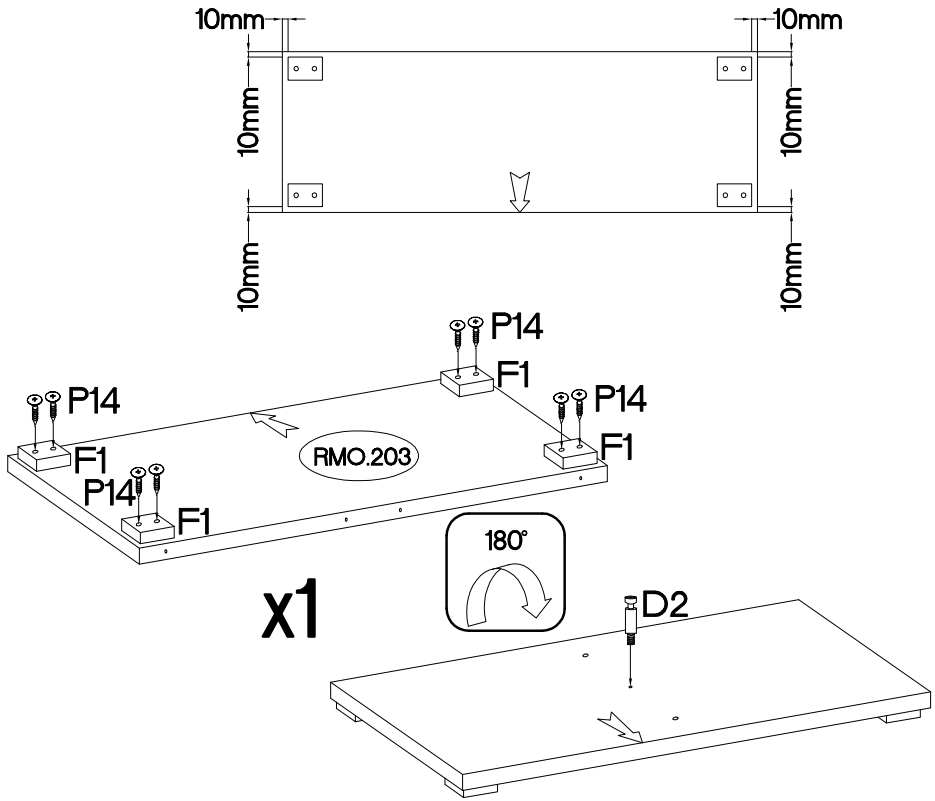
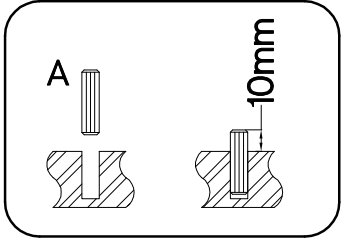
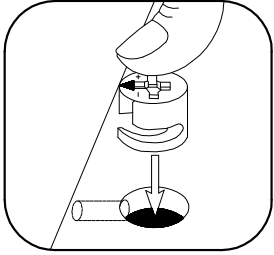
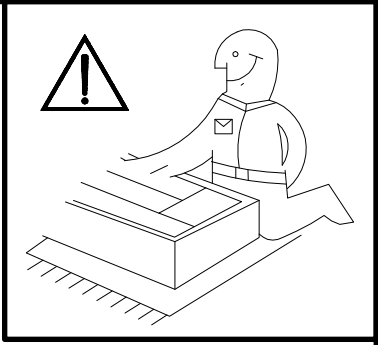
MSN.203

MSN.403

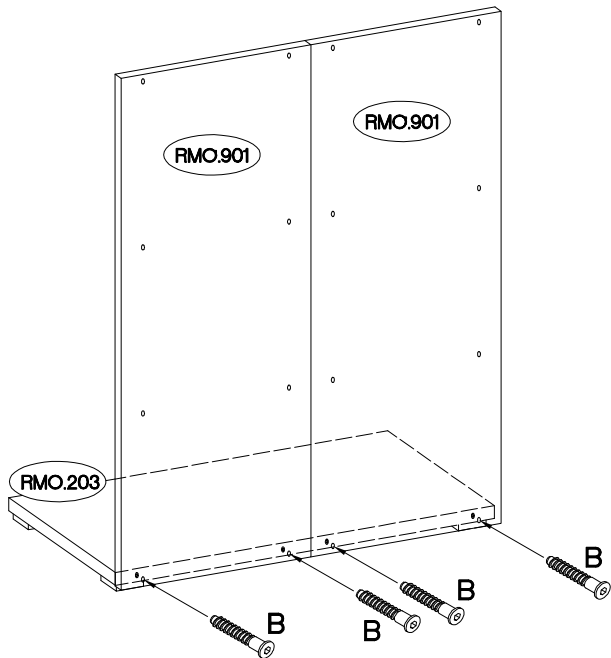
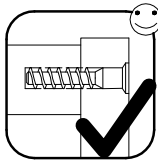
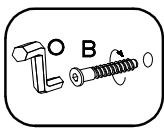
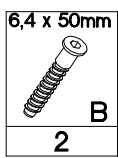
Colli		
Colli 1/1	RMO.203 x 2	830x281x28
	RMO.403 x 2	830x281x28
	RMO.501 x 3	330x280x28
	RMO.901 x 2	1104x416x16

1

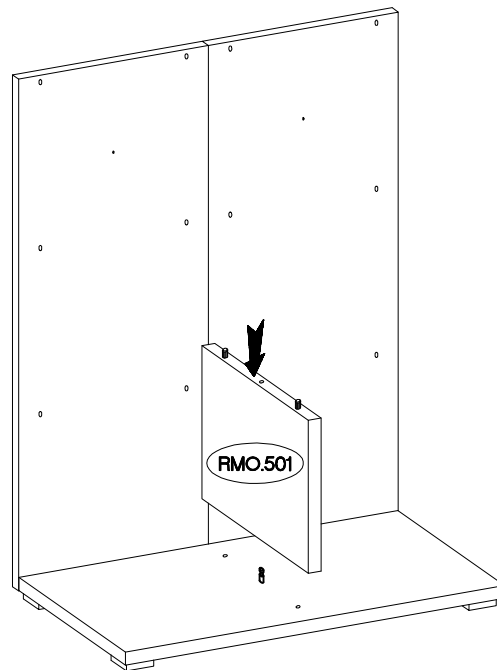
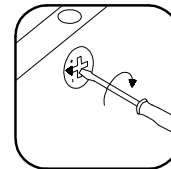
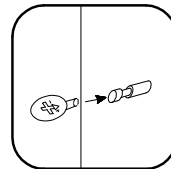
+8x30mm  A 12	+15/18mm  C6 6	L=20mm  D2 6	60x40x20  F1 4	+4.0x25mm  P14 8
--	---	---	---	---



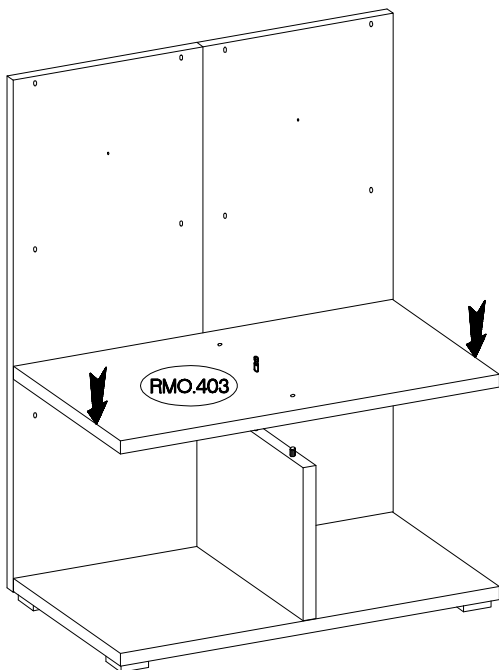
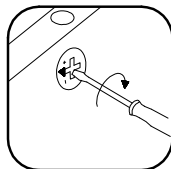
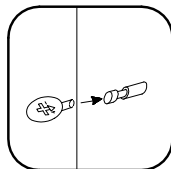
2



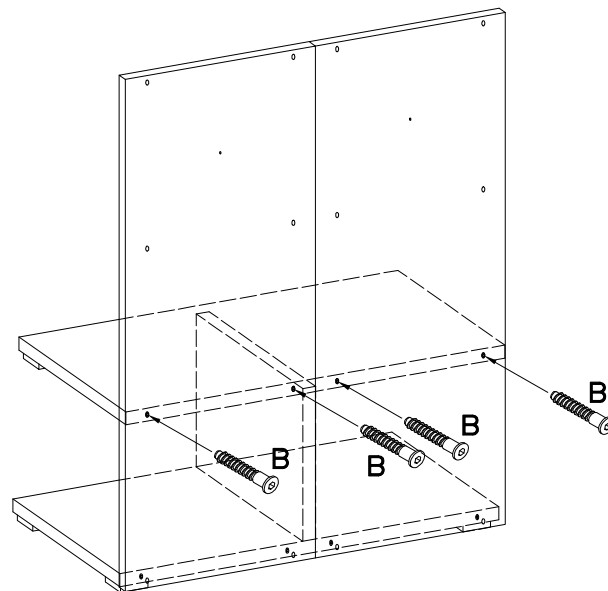
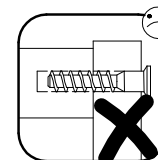
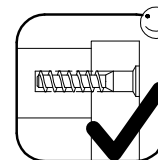
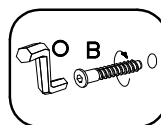
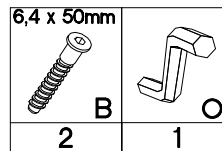
3



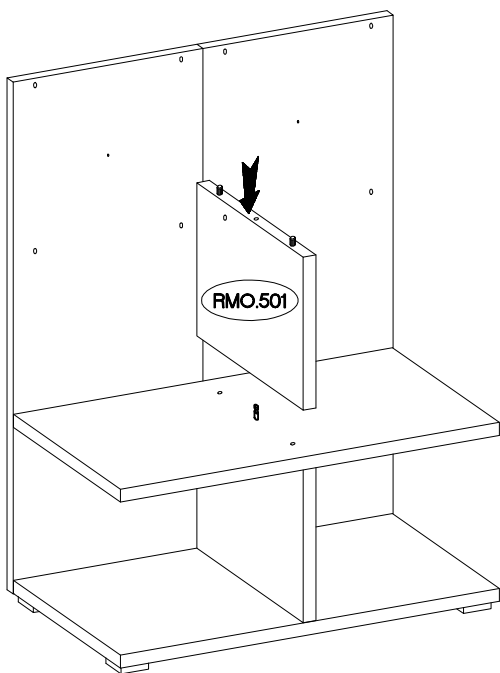
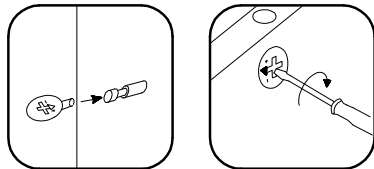
4



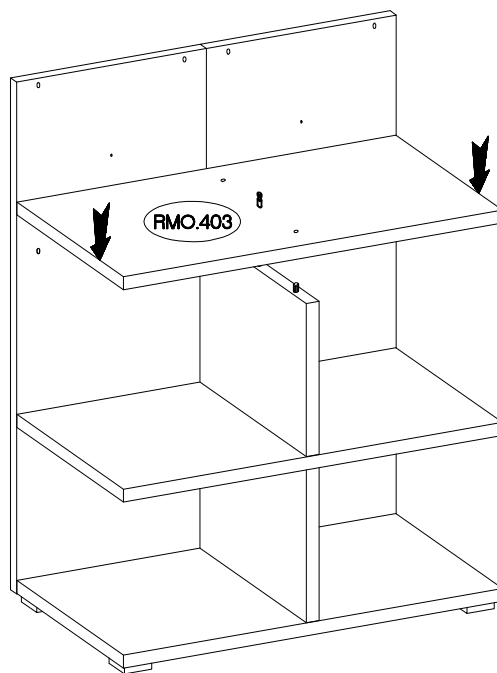
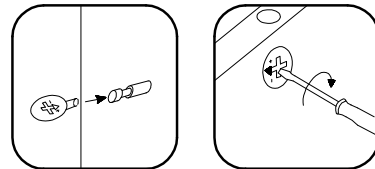
5



6

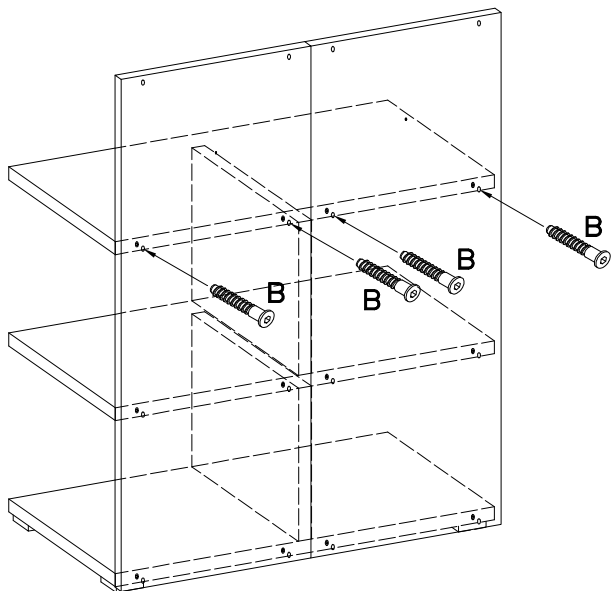
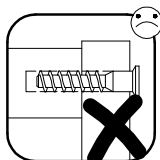
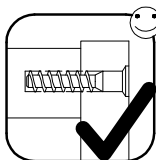
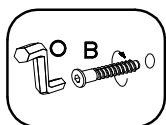
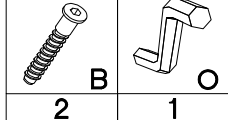


7

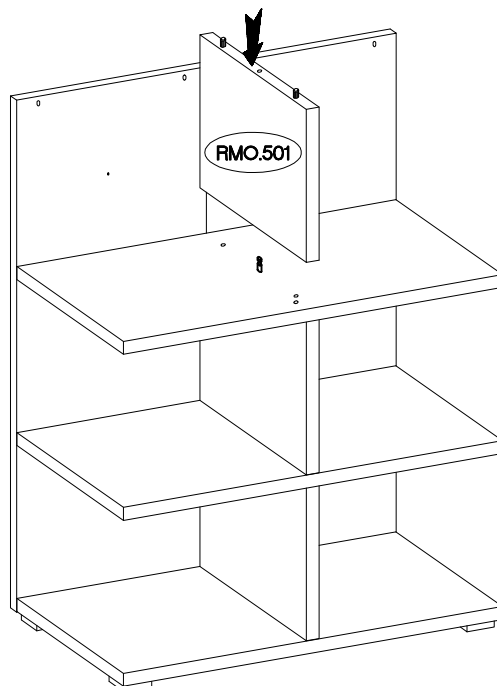
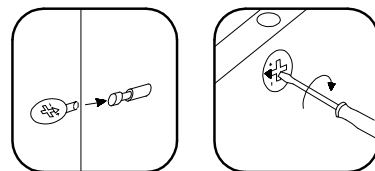


8

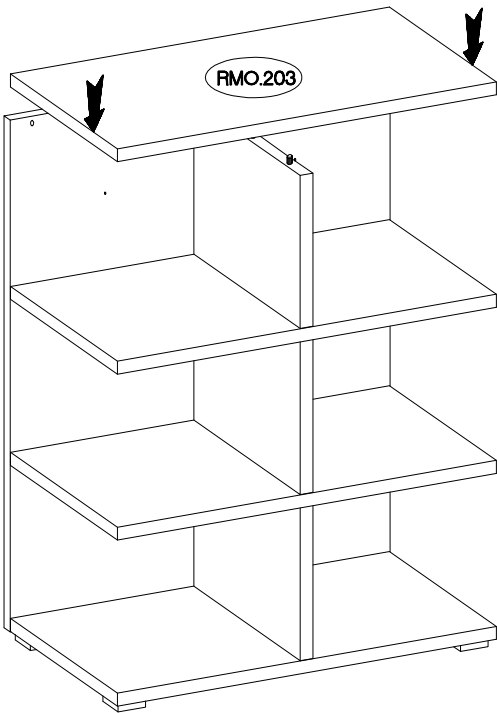
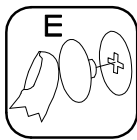
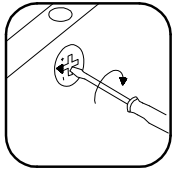
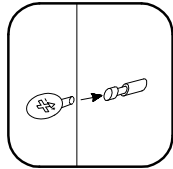
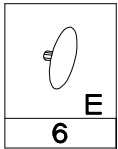
6,4 x 50mm



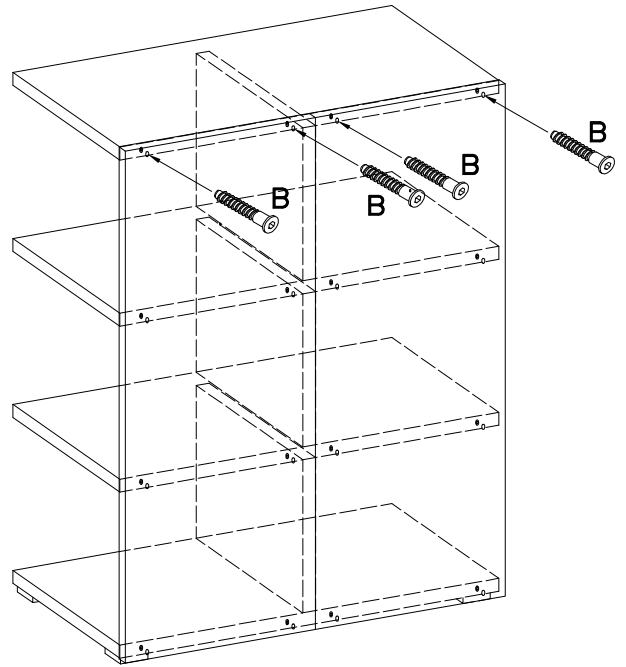
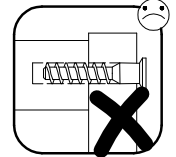
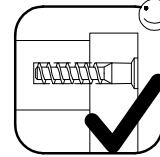
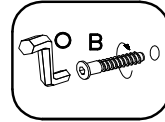
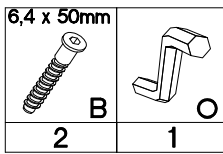
9



10



11



12

