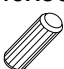







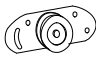


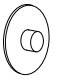



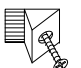






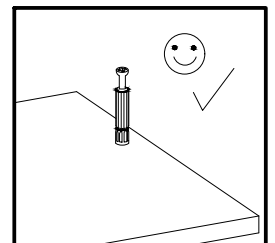
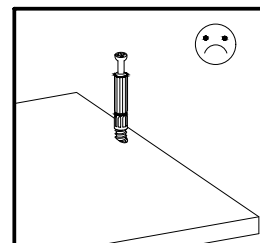
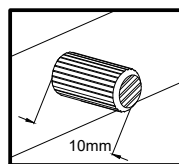
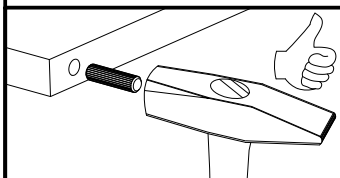
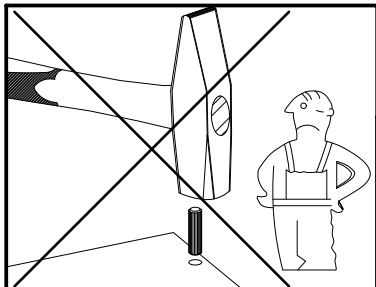
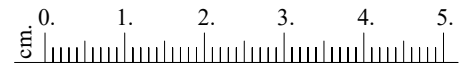
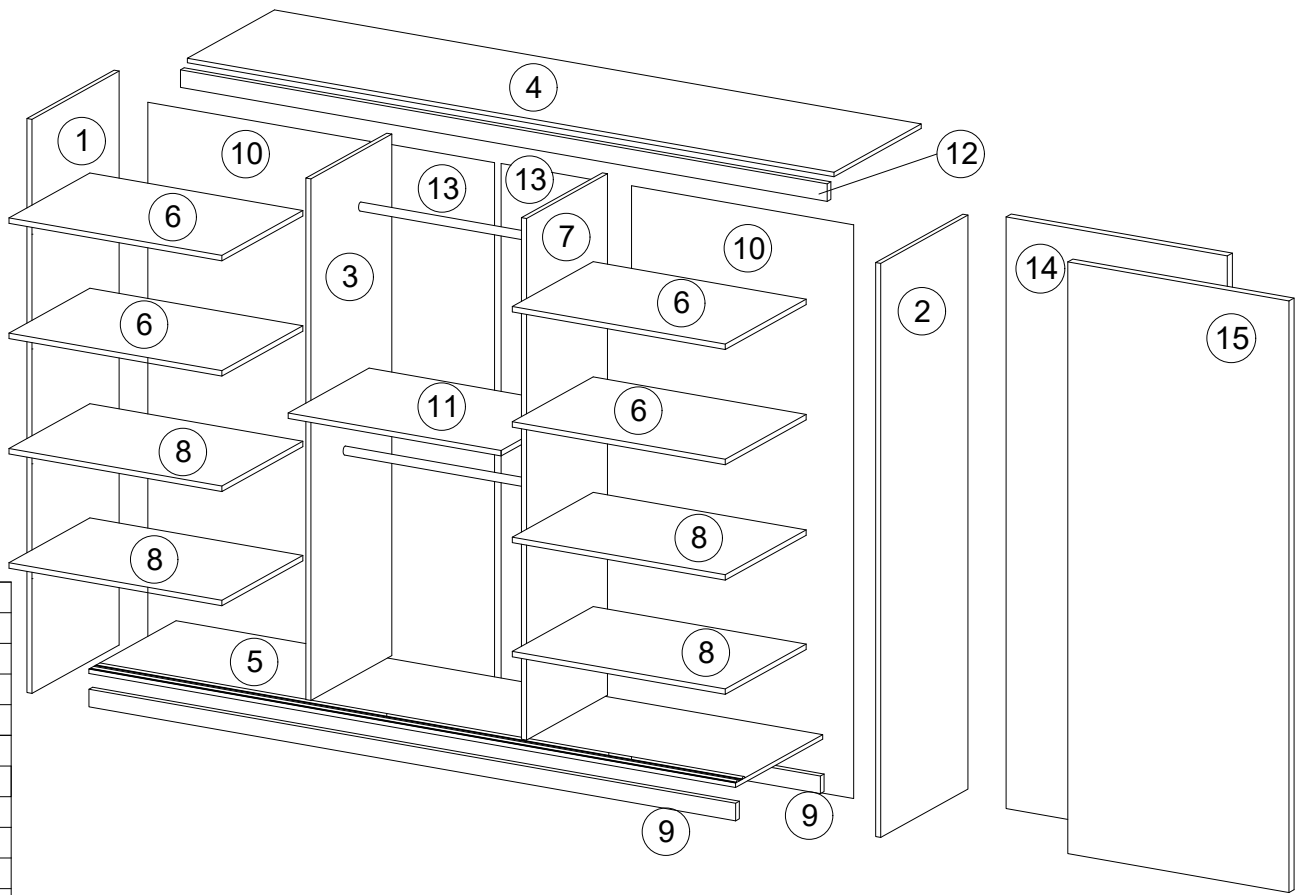
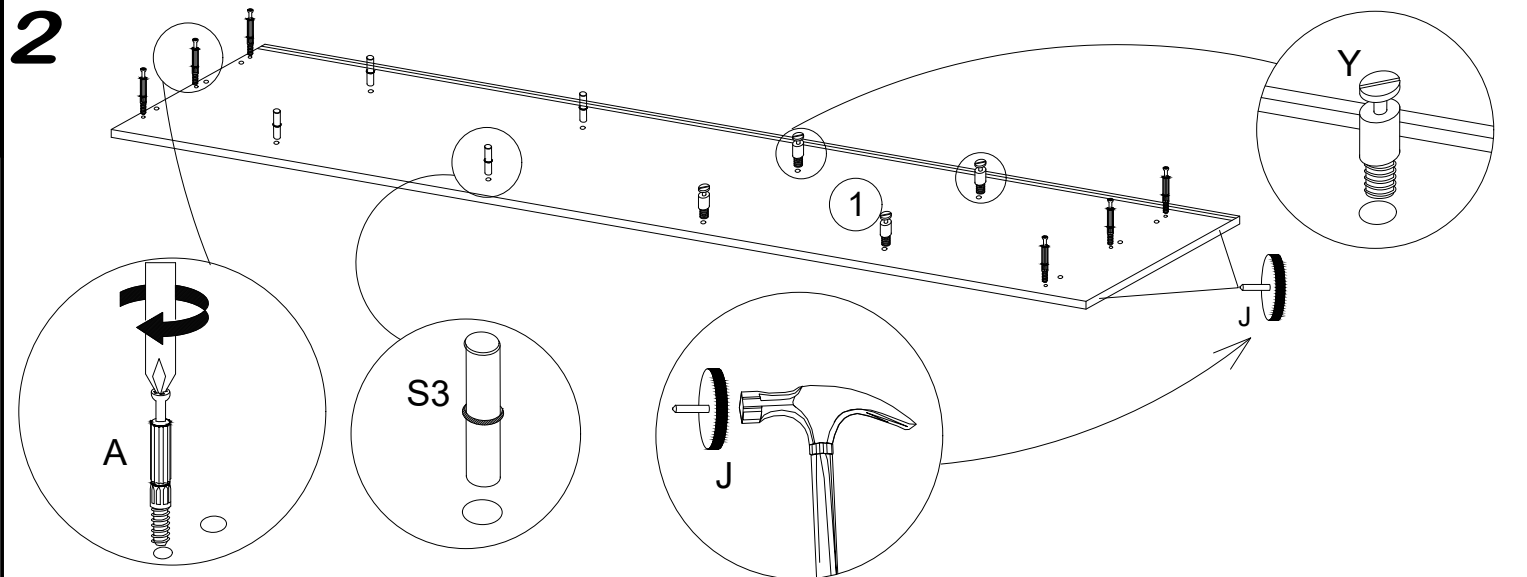
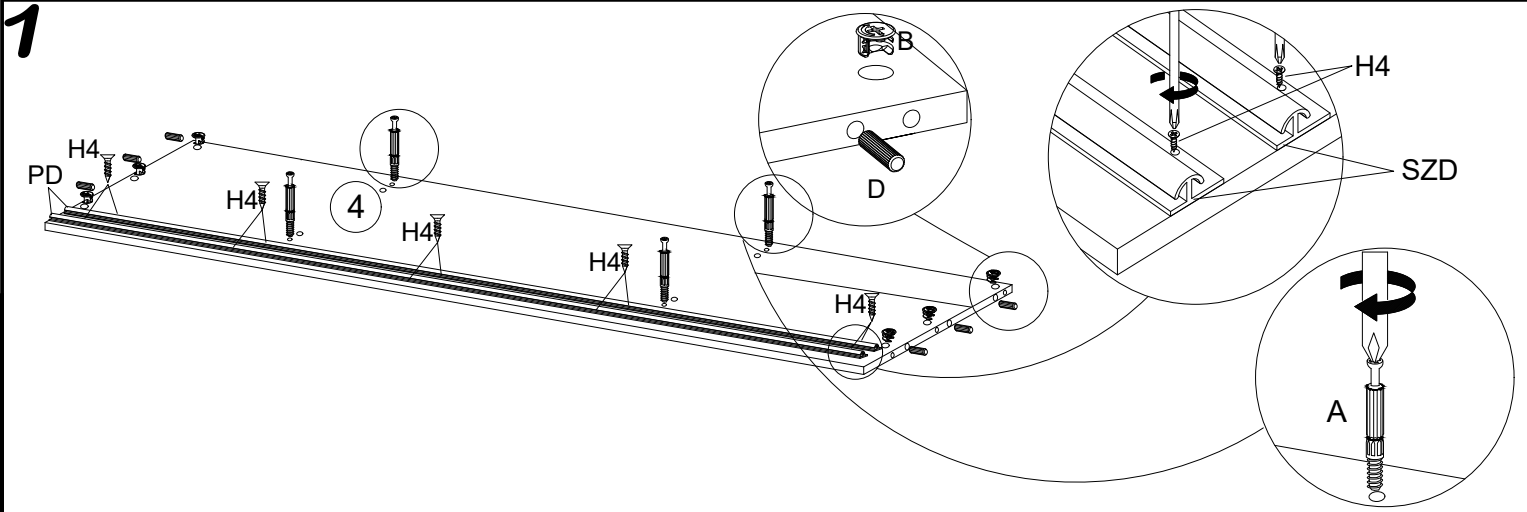


8.0x35  D	4.0x25  G	 Y	 A	 B	3.5x16  H	 V	 N	 K2	 K1	 S3
20	4	20	38	38	28	20	4	4	4	16
 X	 F	 S	 S1	 I	L-775  V1	L-1850  L	6.3x13  Q	 J	 PD	3.0x13  H4
30	2	38	80	30	2	1	8	10	4	20

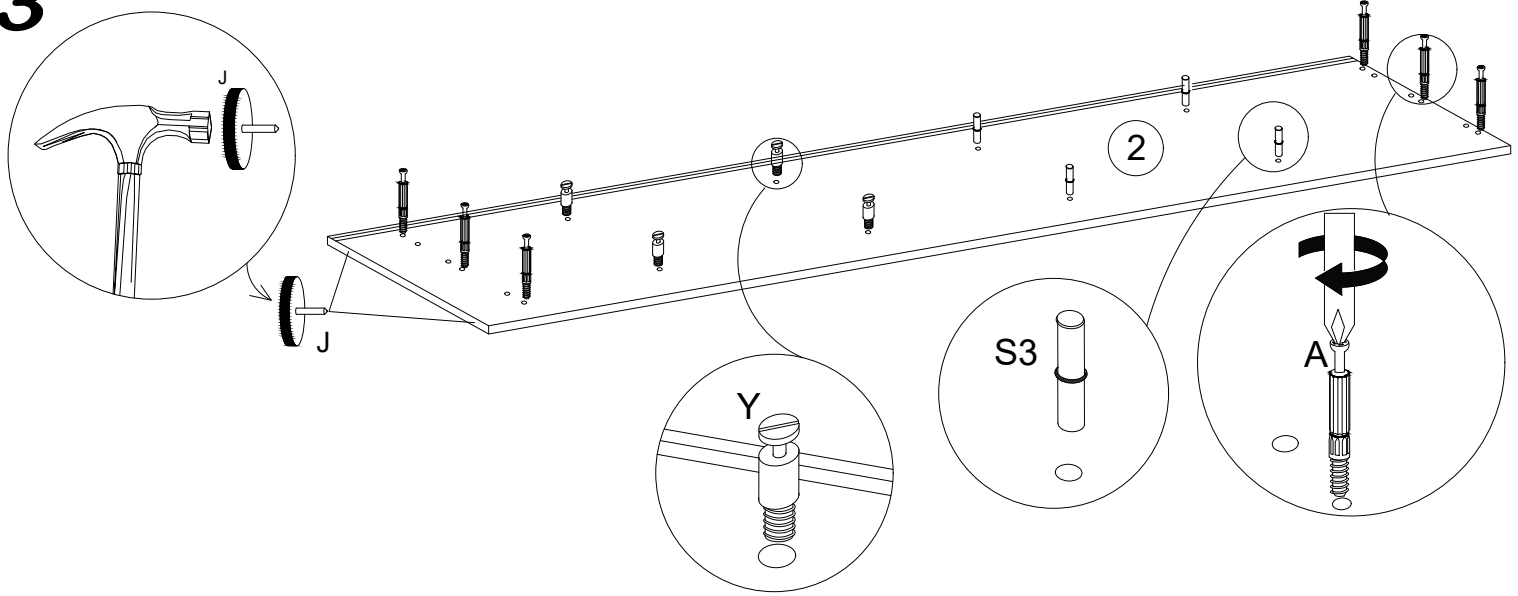




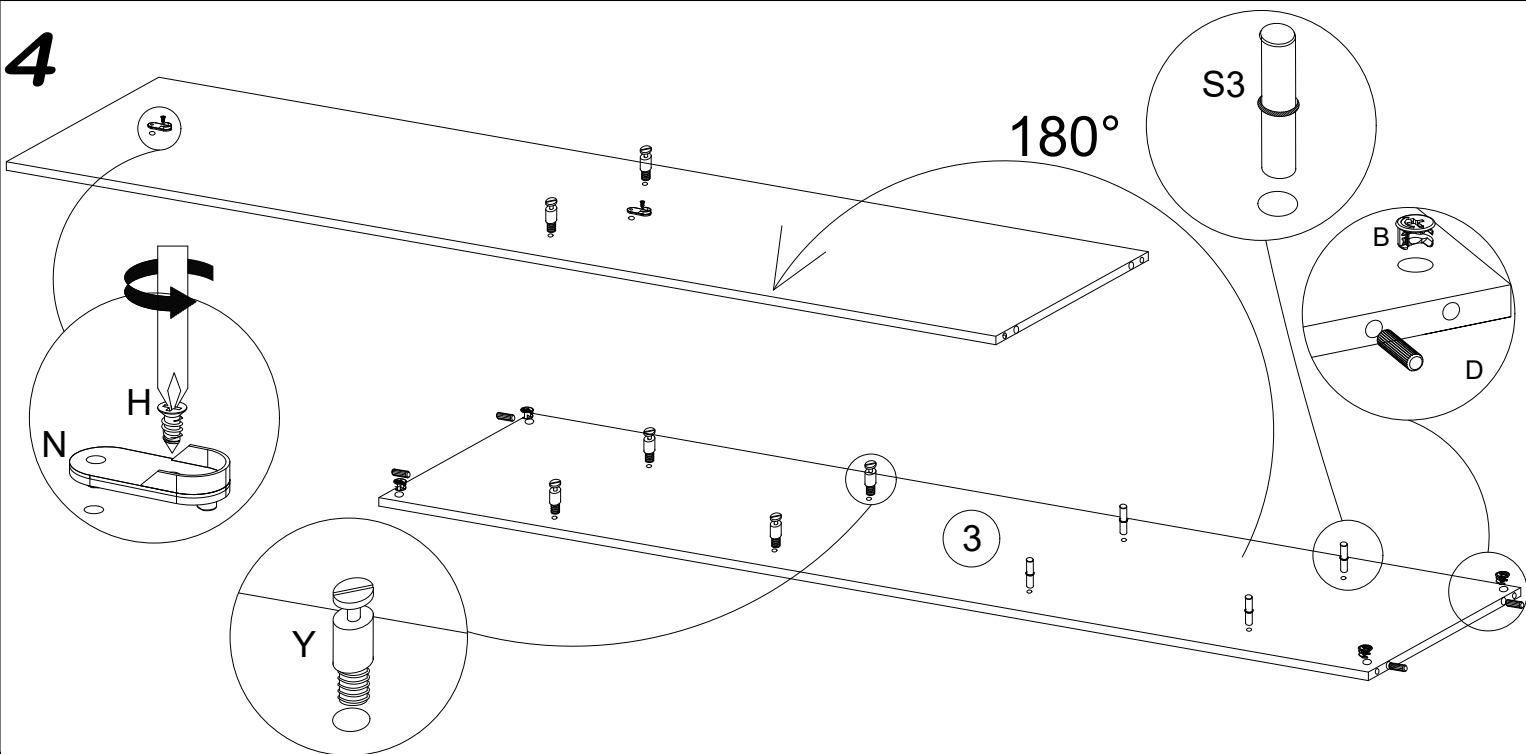
No.	Pcs.	L	W	D
1.	1	2000	620	16
2.	1	2000	620	16
3.	1	1888	480	16
4.	1	1768	582	16
5.	1	1768	600	16
6.	4	475	480	16
7.	1	1888	480	16
8.	4	475	480	16
9.	2	1768	80	16
10.	2	1918	492	3
11.	1	785	480	16
12.	1	1768	70	16
13.	2	1918	398	3
14.	1	1873	900	16
15.	1	1873	900	16



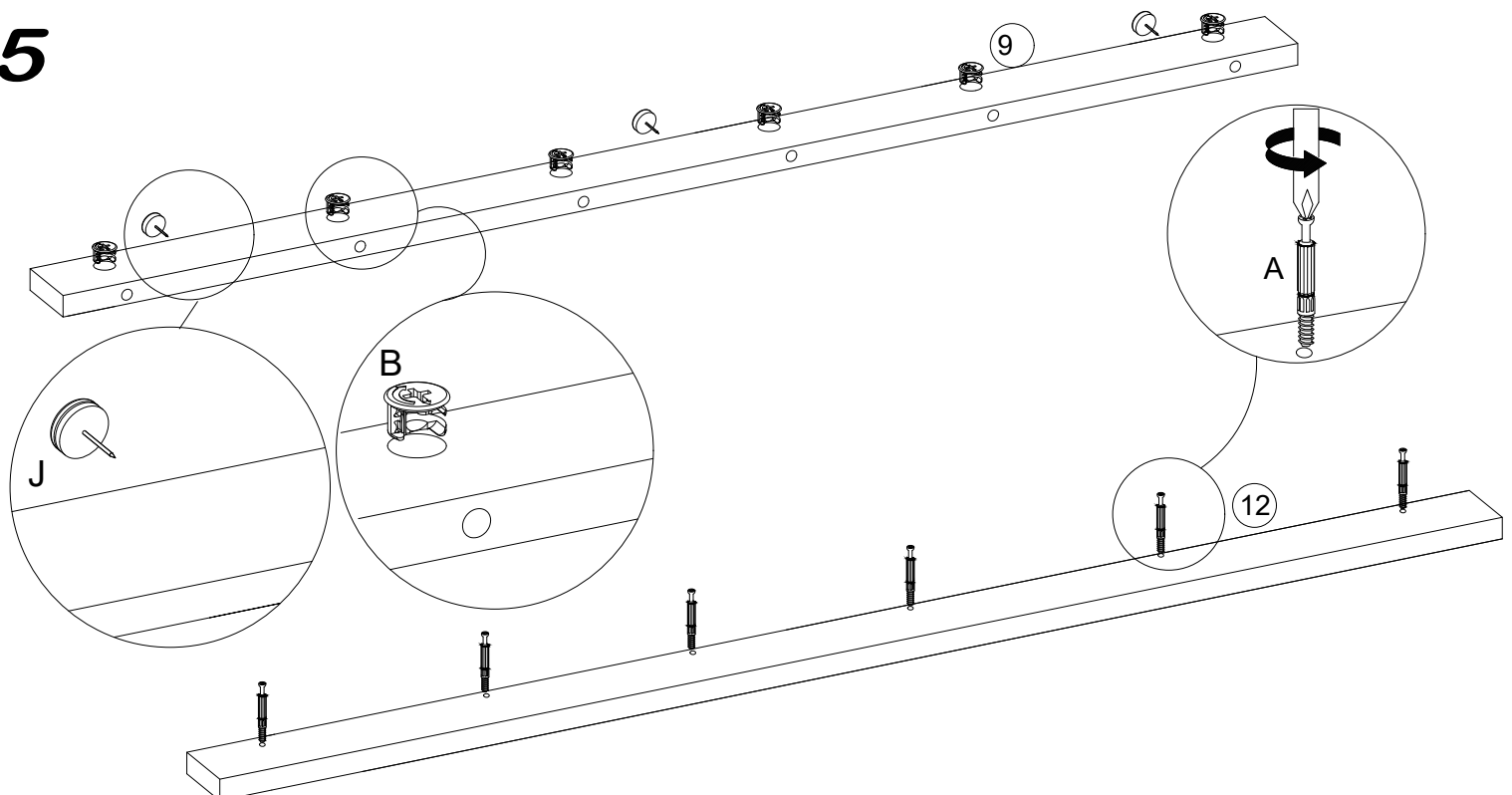
**3**



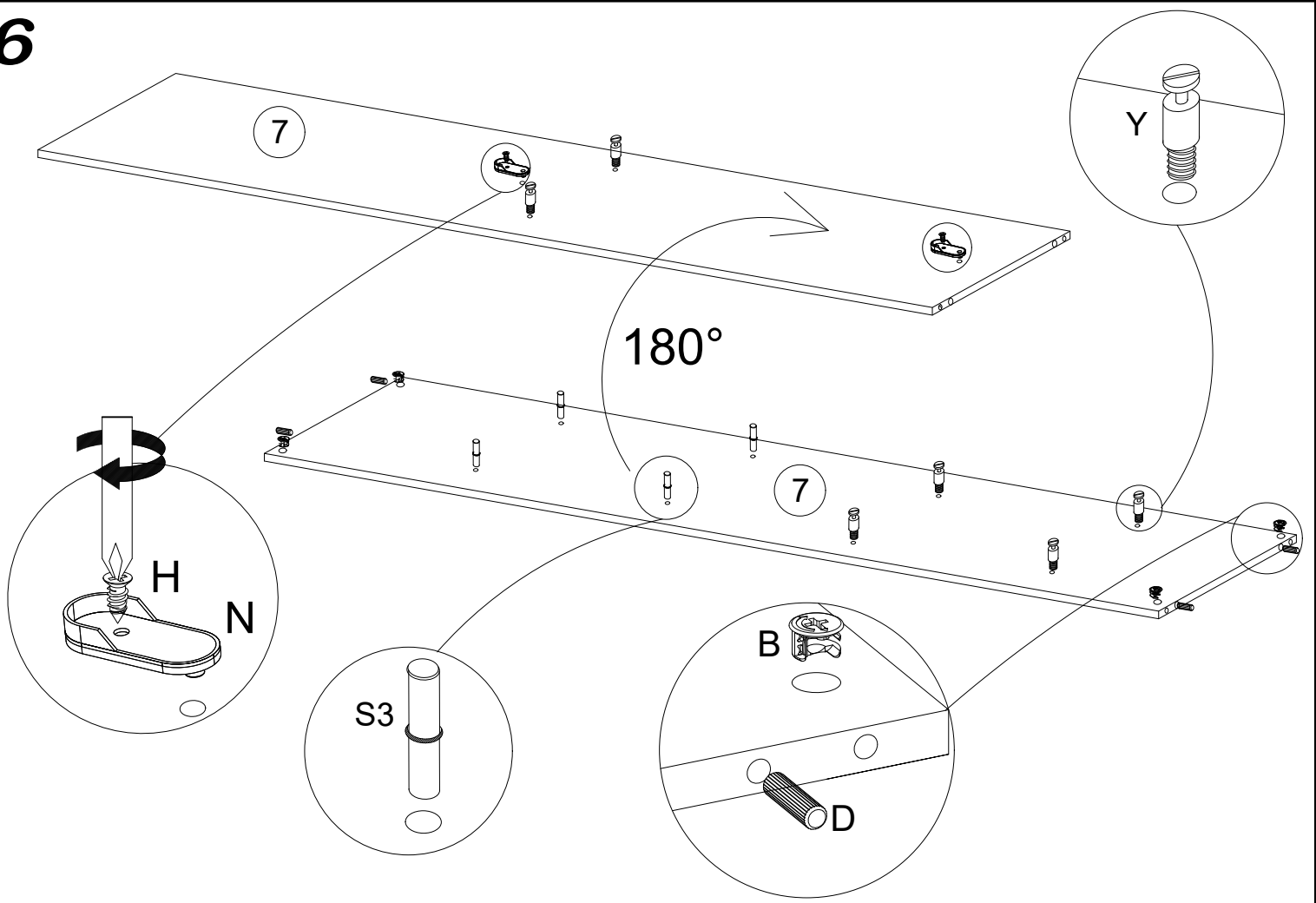
**4**



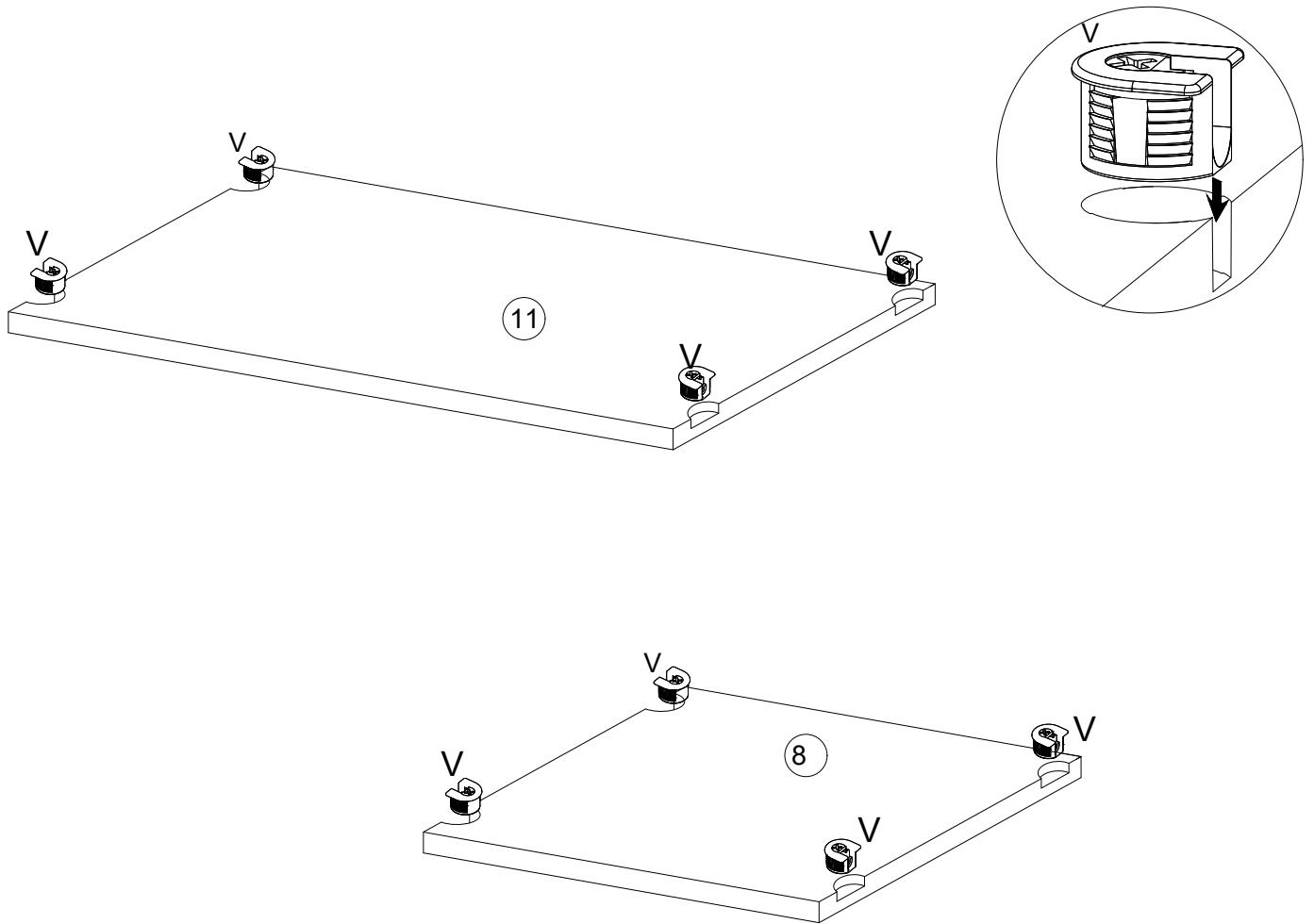
**5**



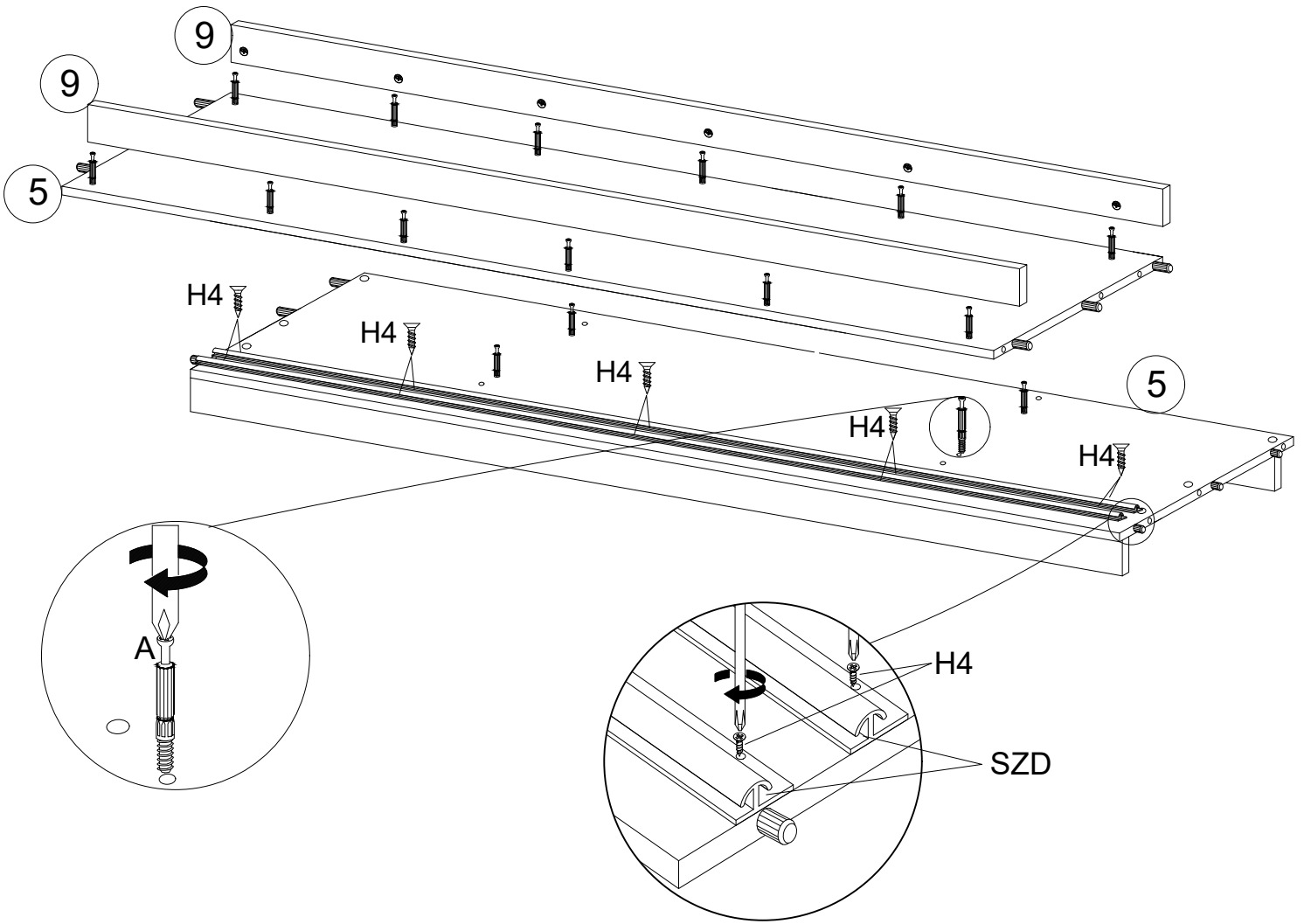
6



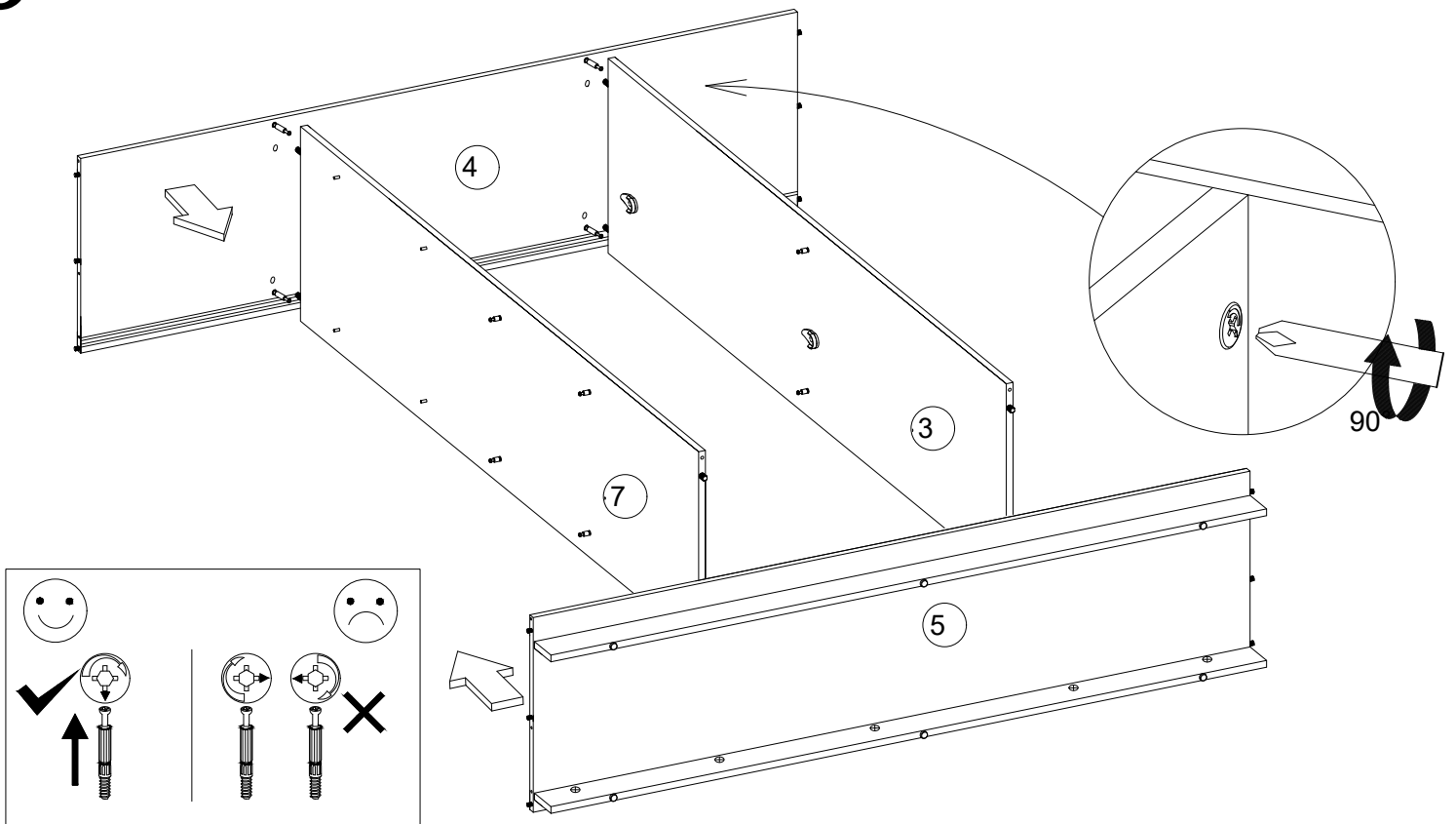
7



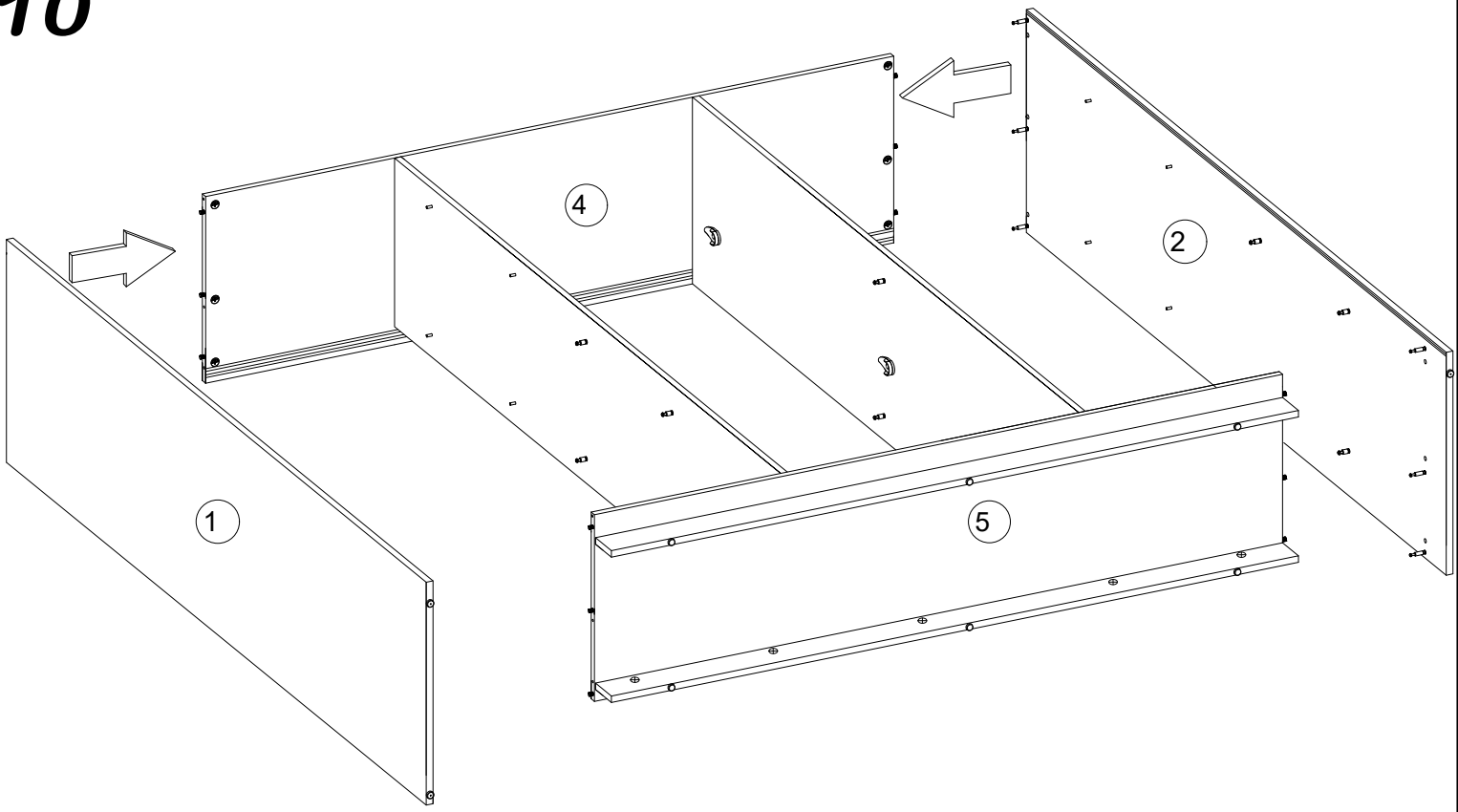
8



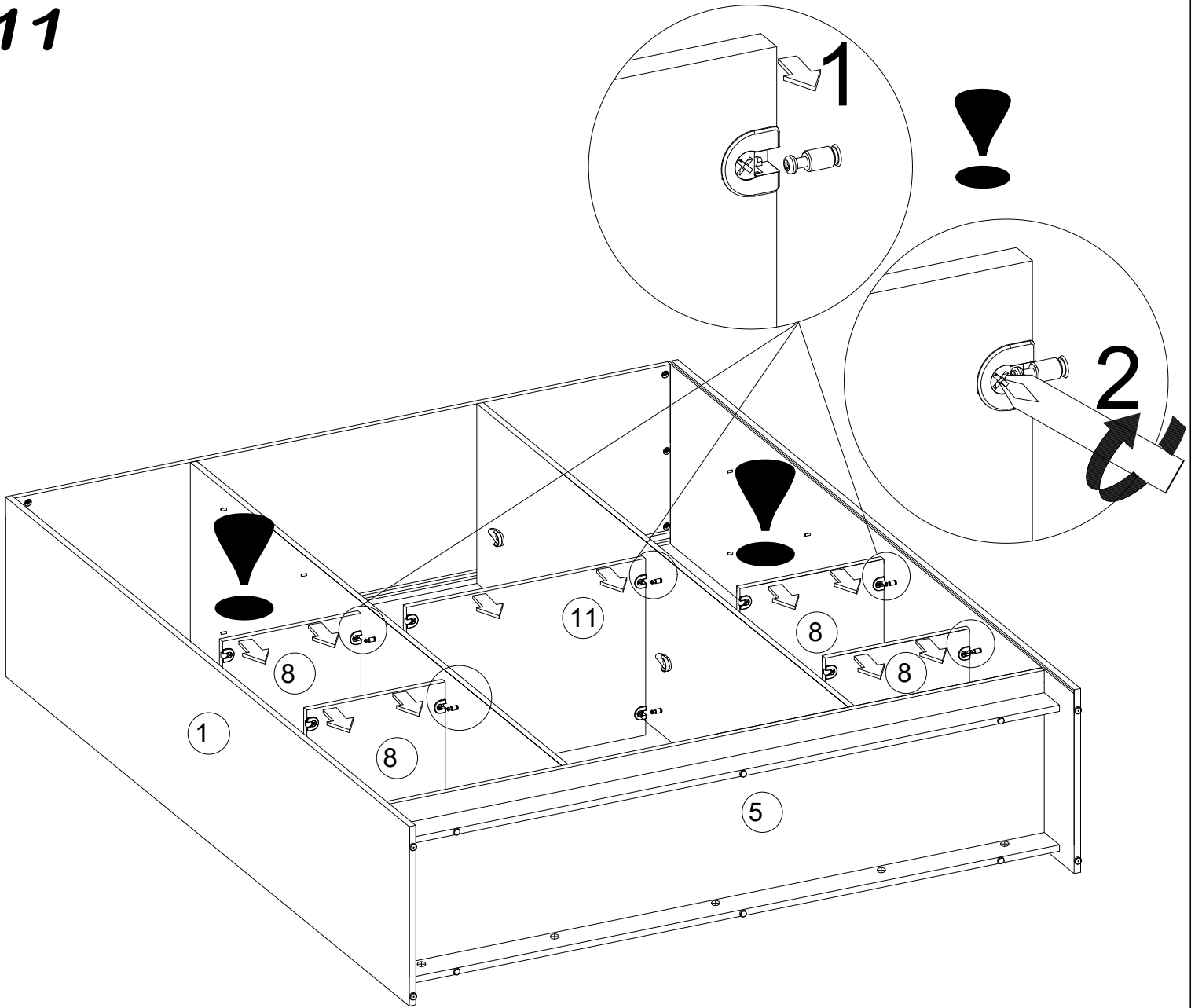
9



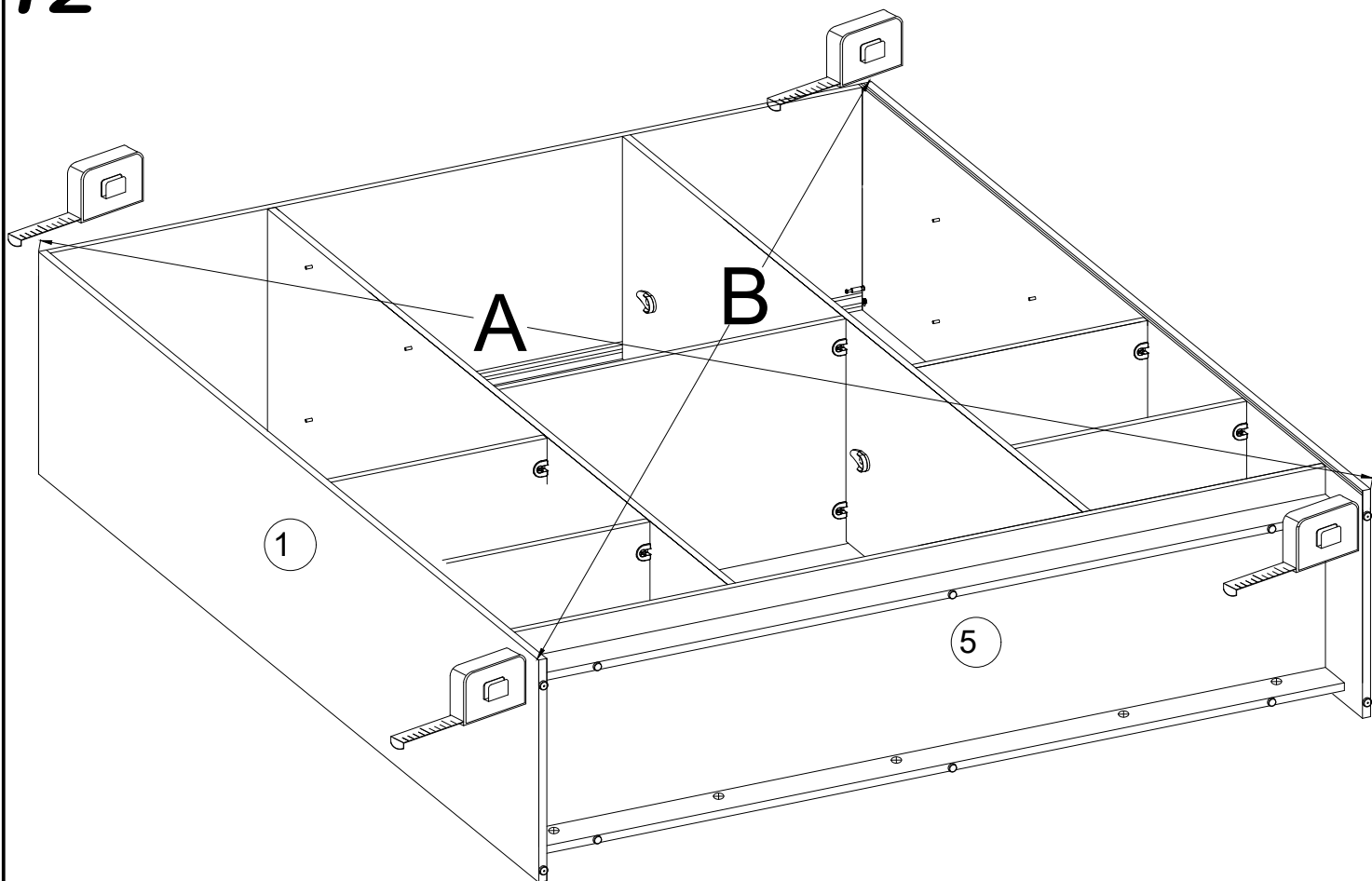
10



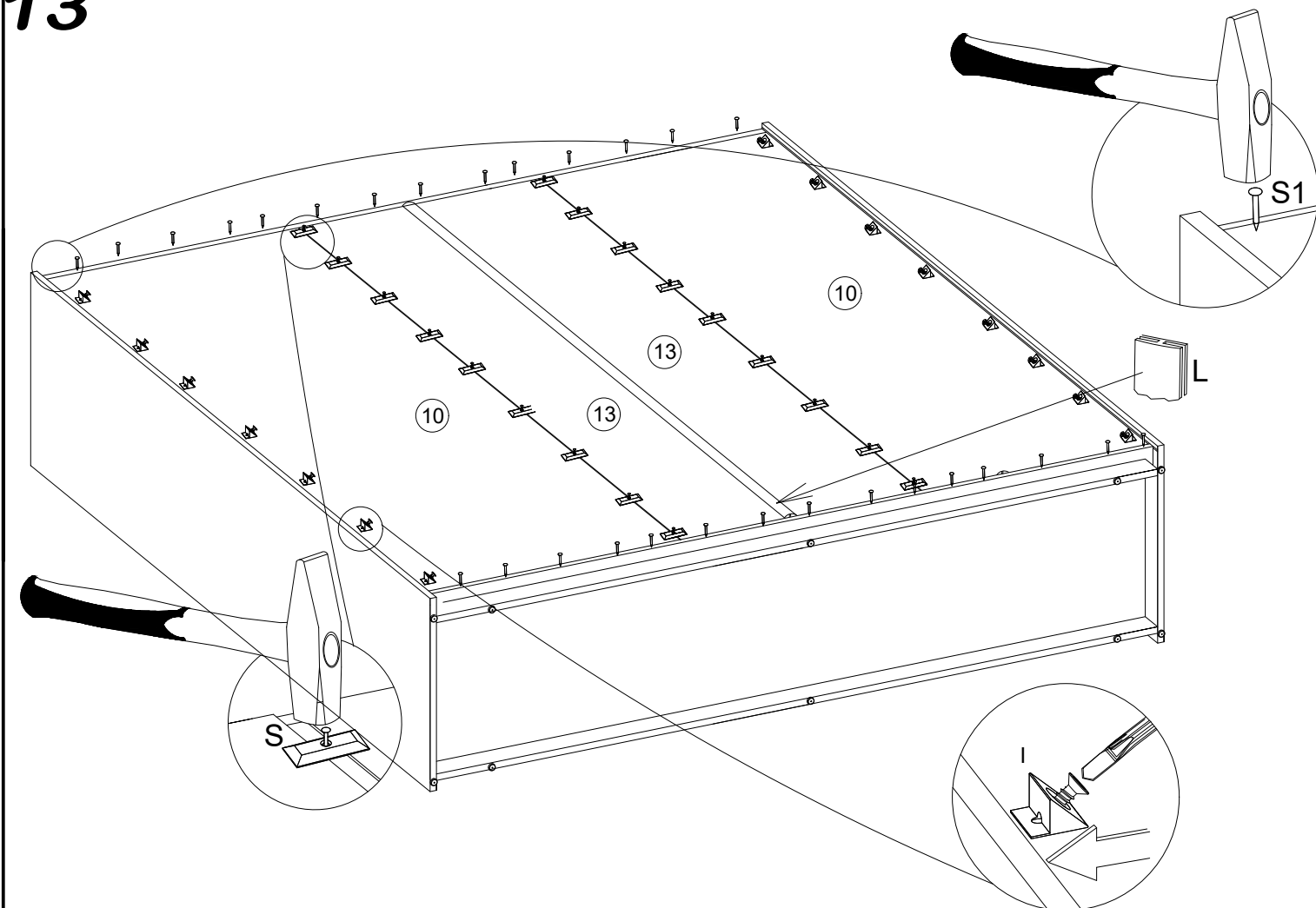
11



# 12

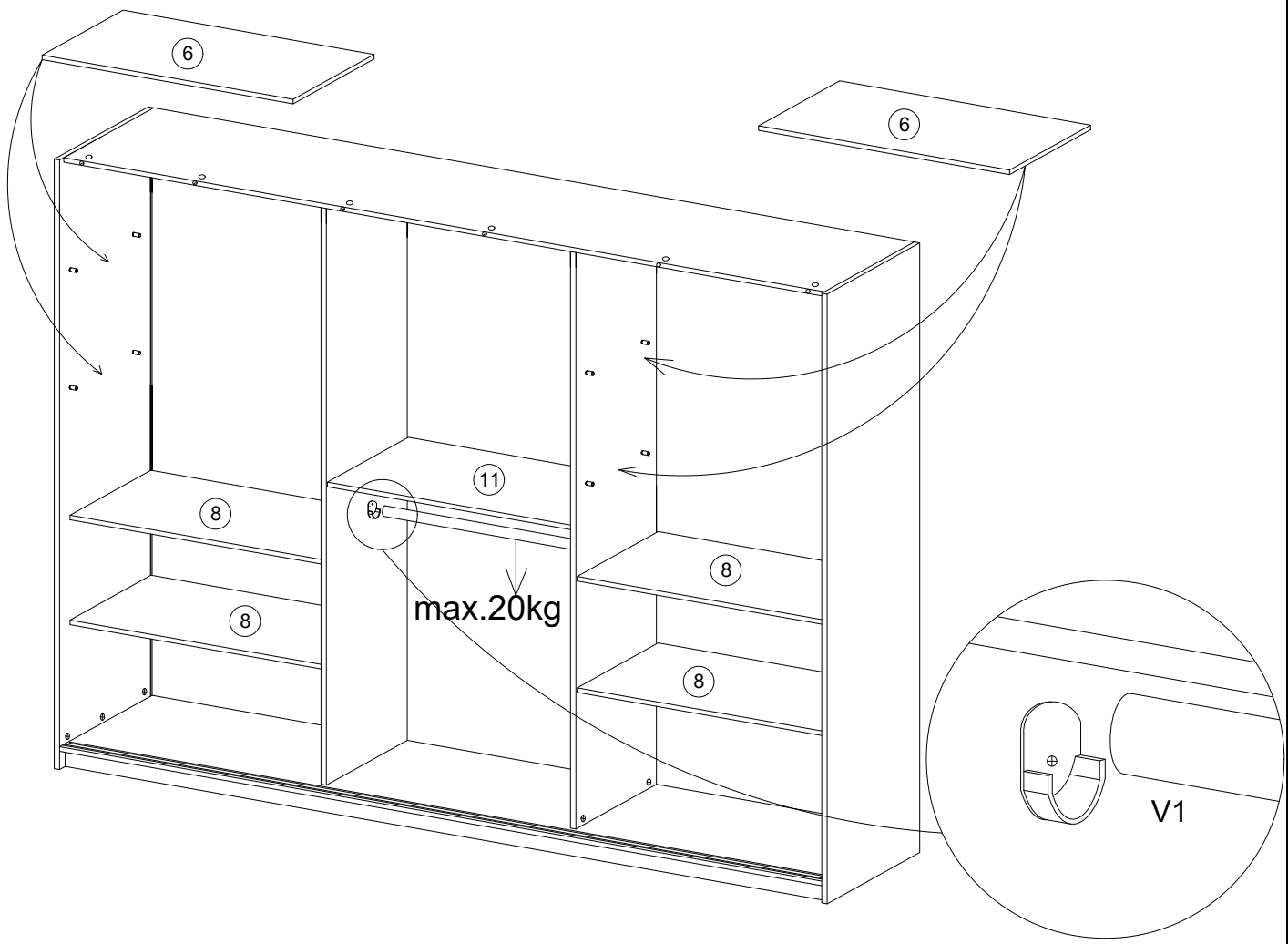


# 13

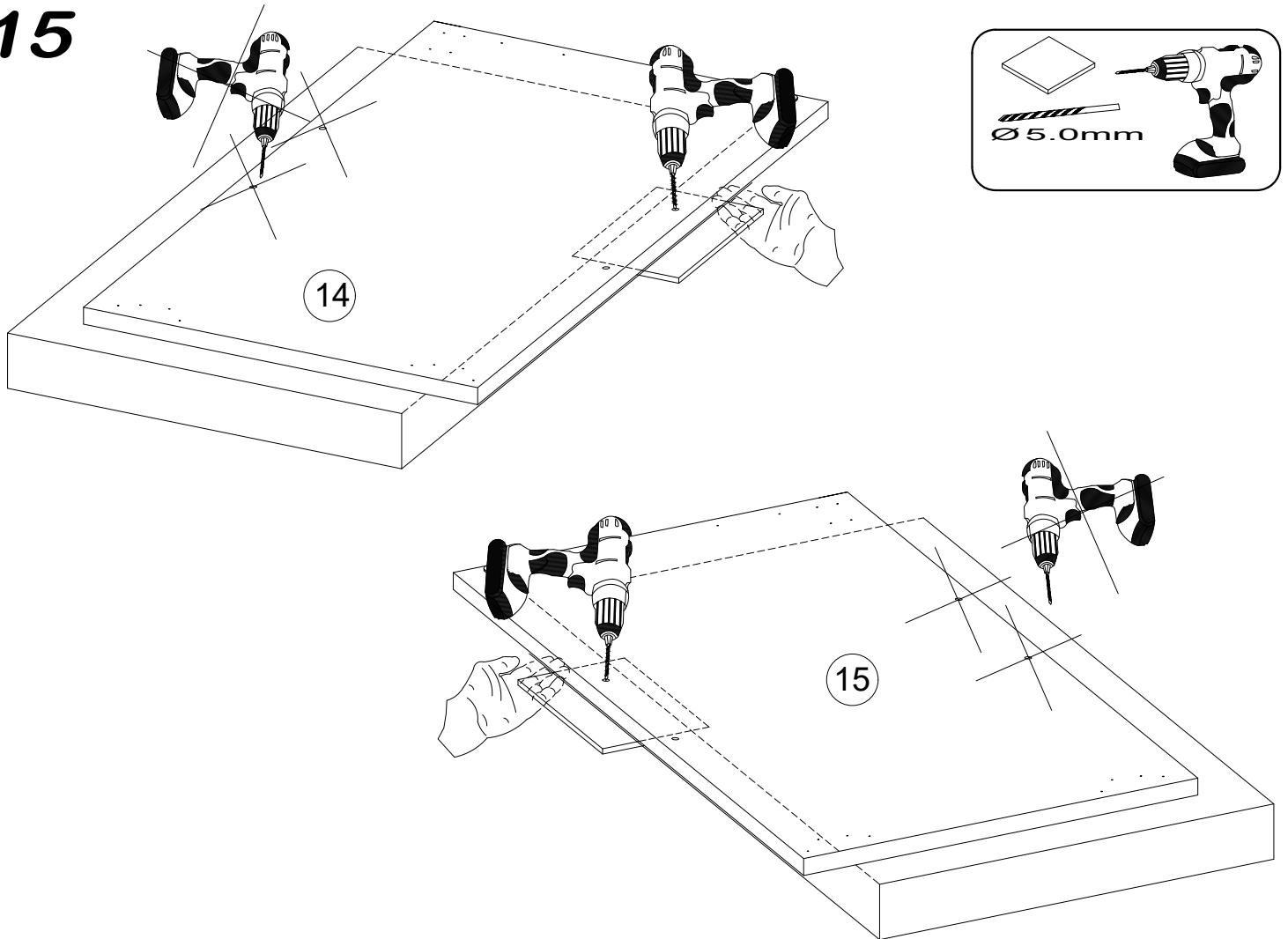




# 14

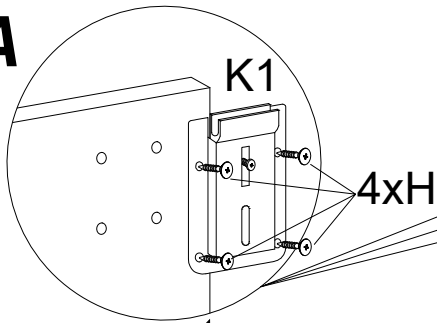


# 15

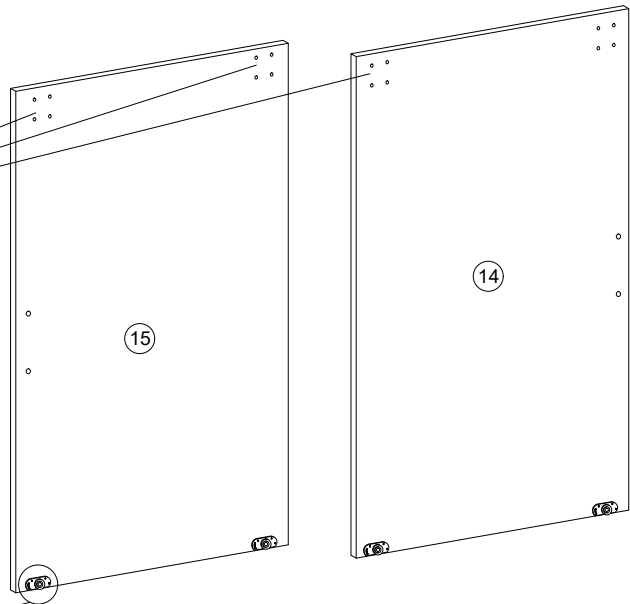
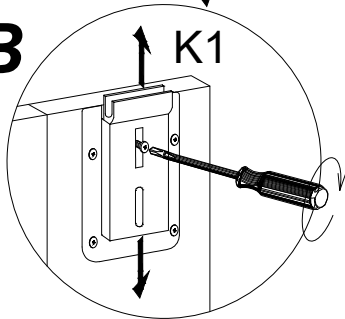


**16**

**A**

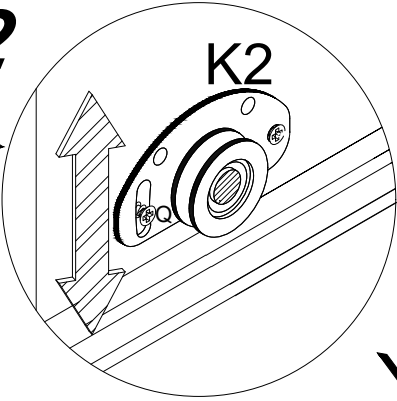
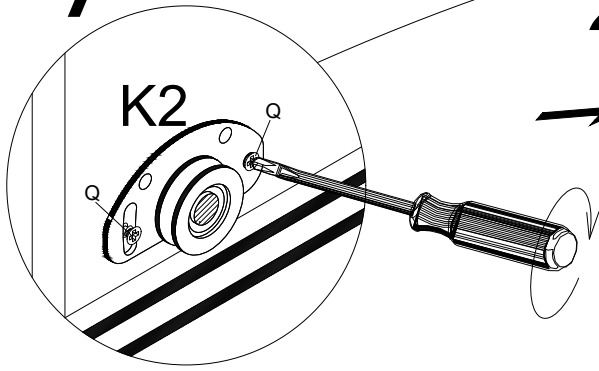


**B**

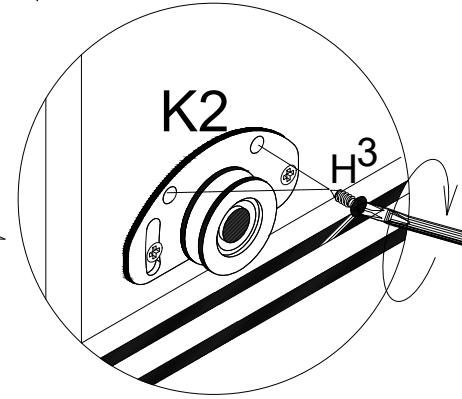
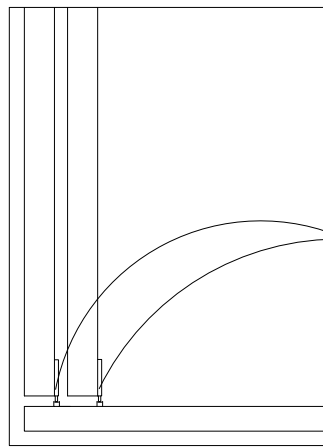


**1**

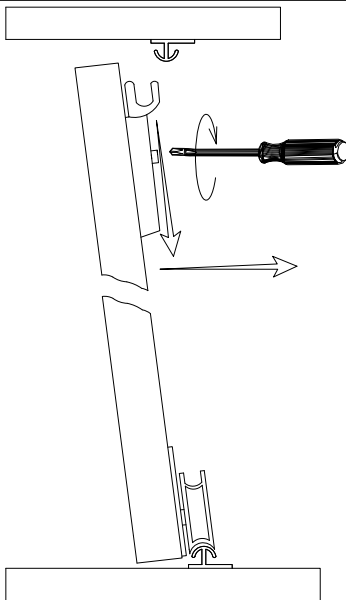
**2**



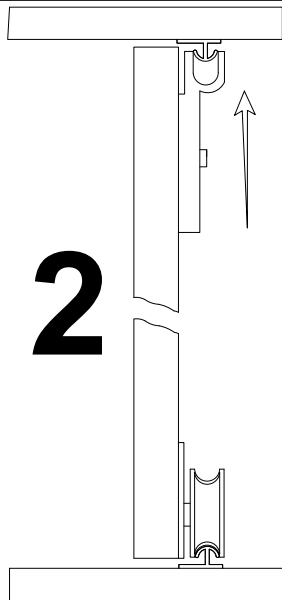
**3**



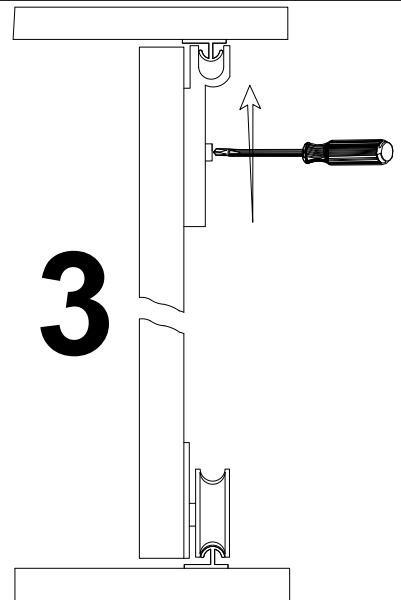
**1**



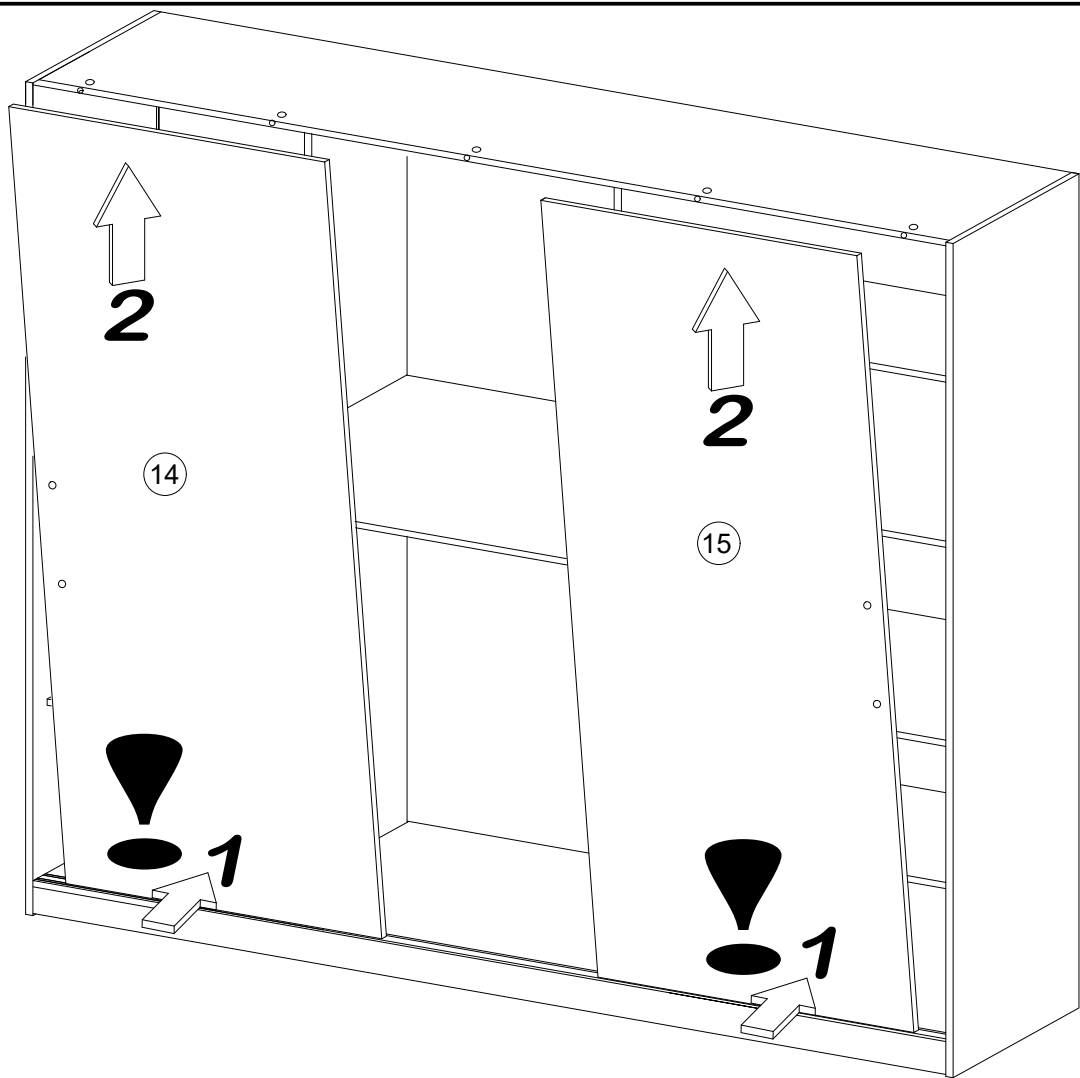
**2**



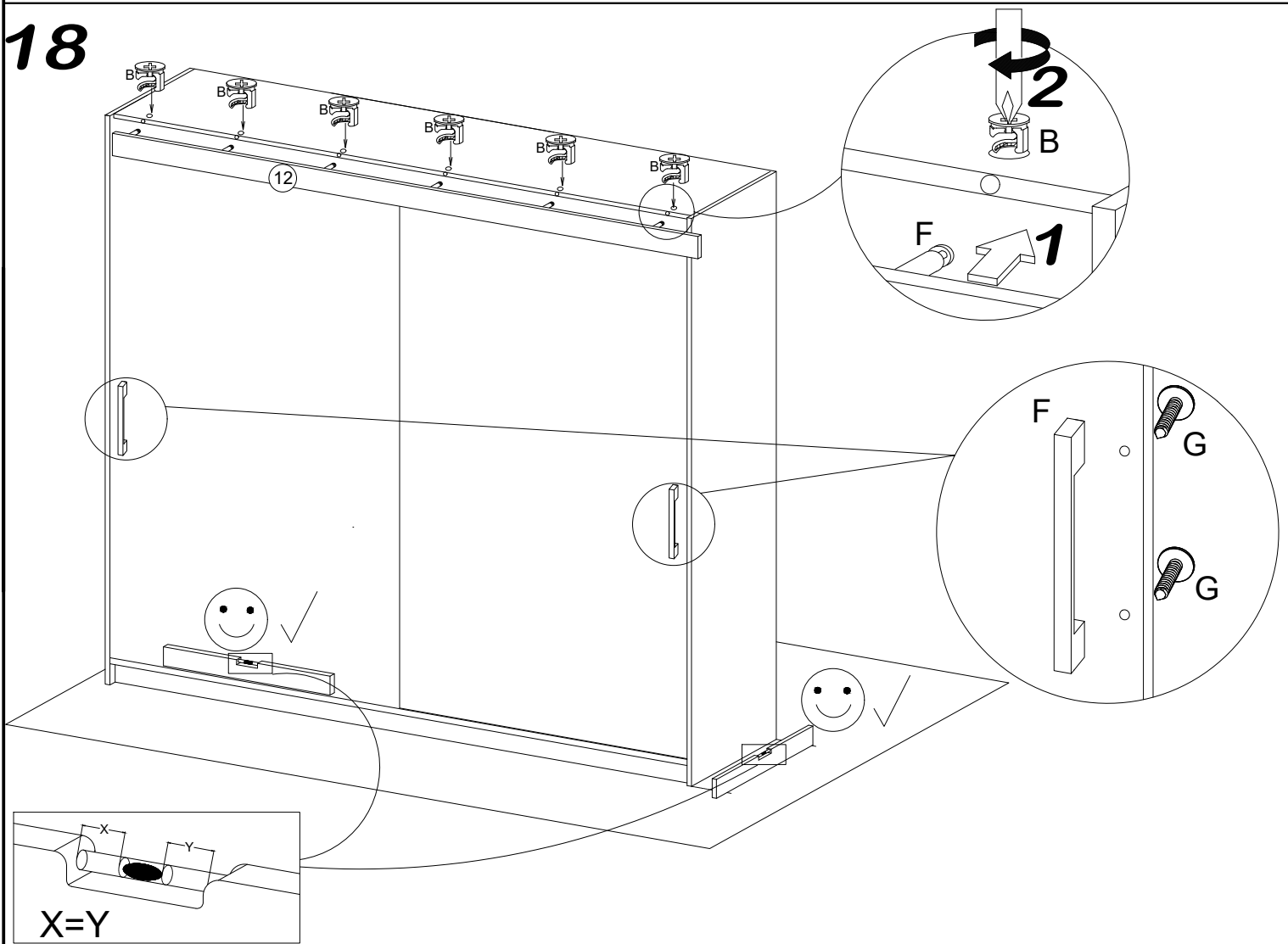
**3**



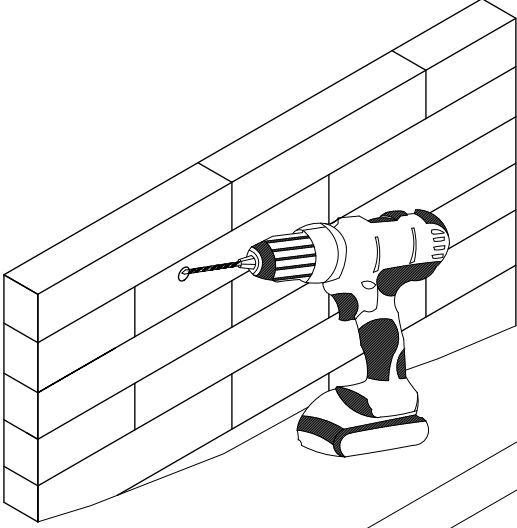
17


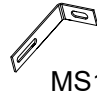


18

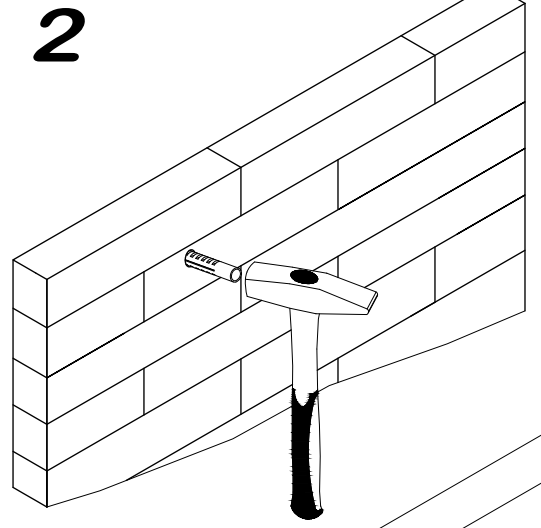


1

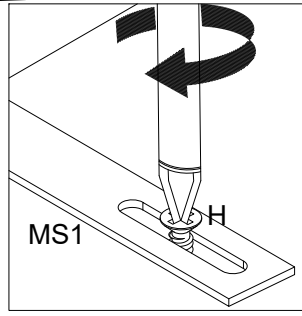
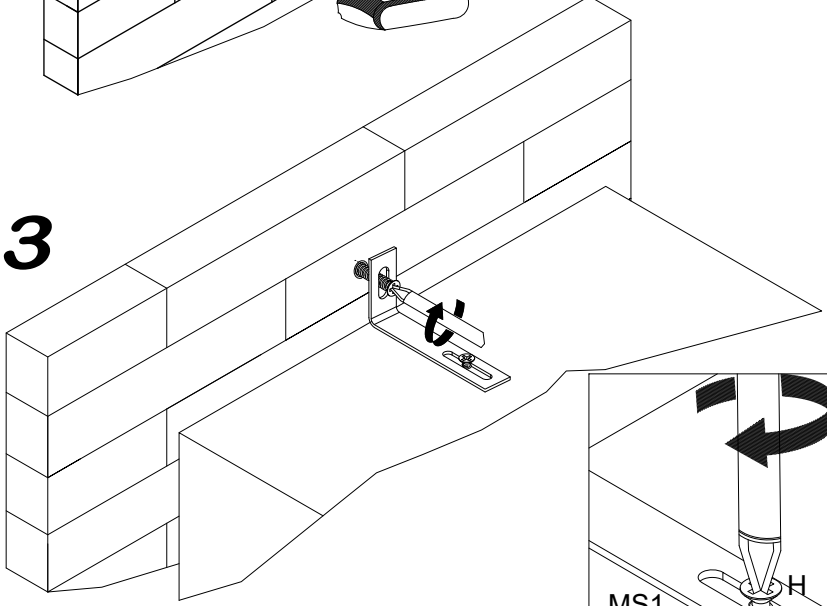


3.5x16	
	
H	MS1
1	1

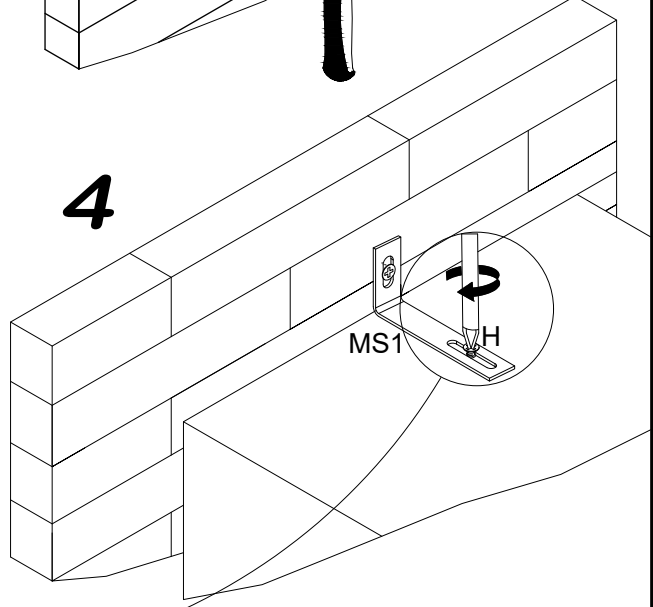
2

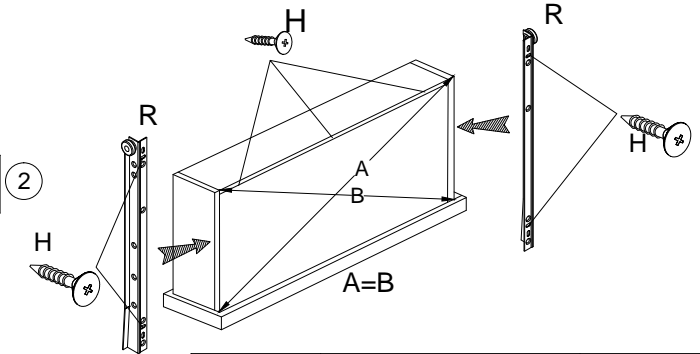
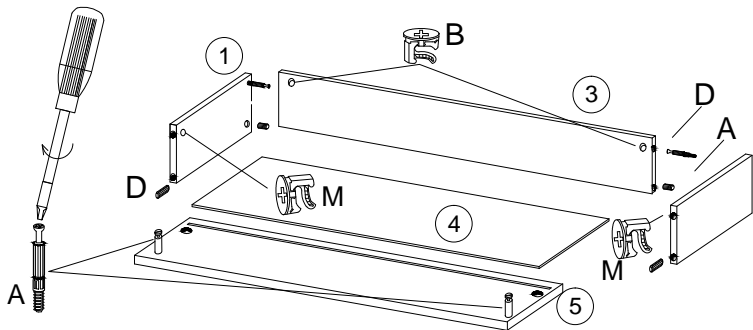
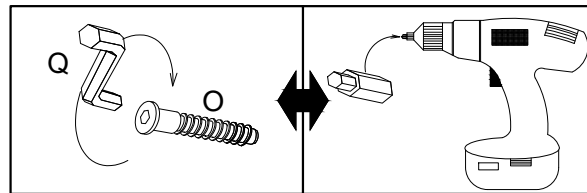
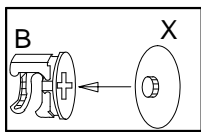
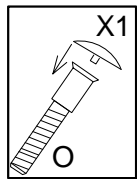
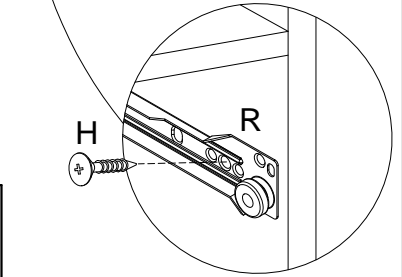
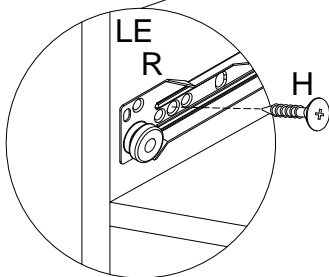
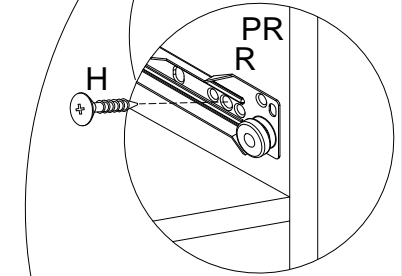
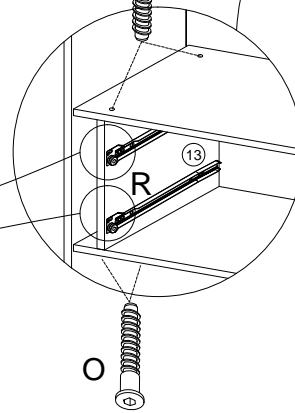
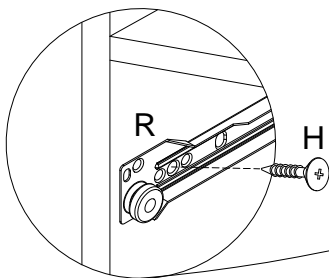
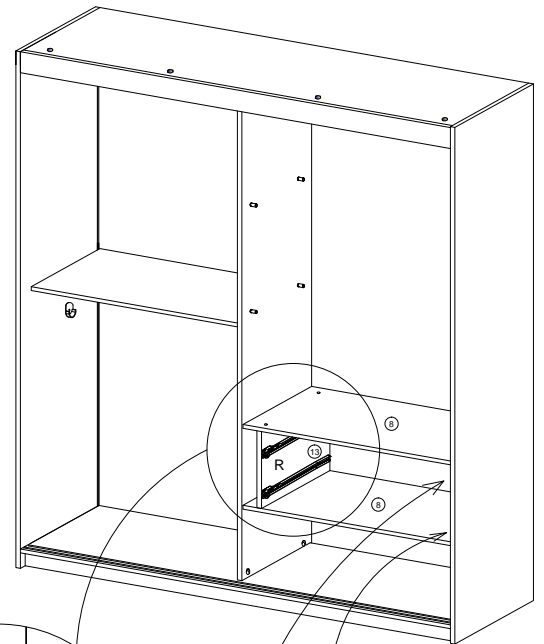
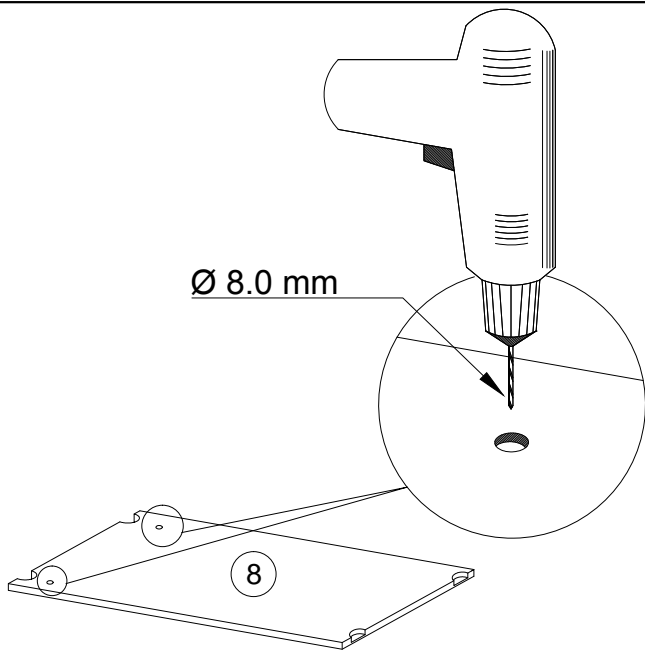


3



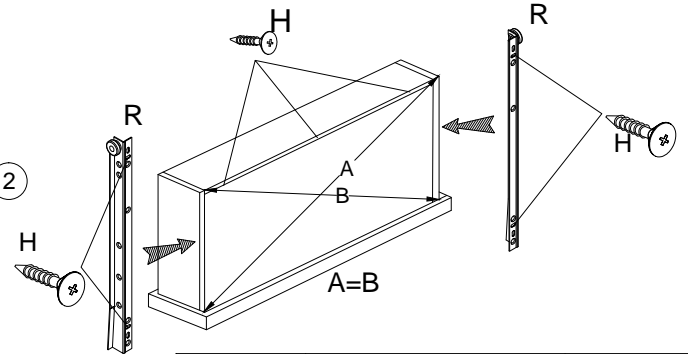
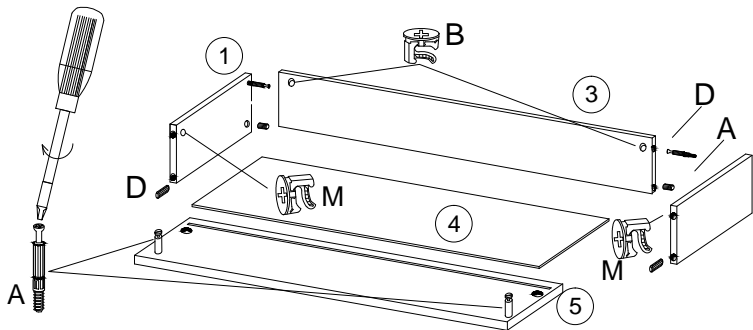
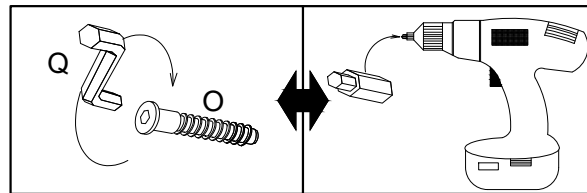
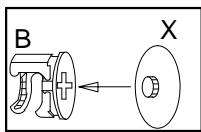
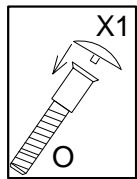
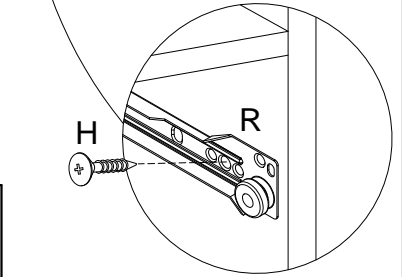
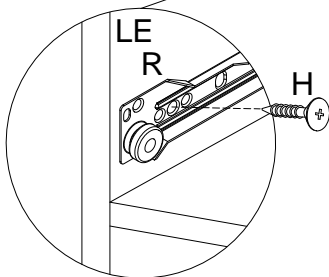
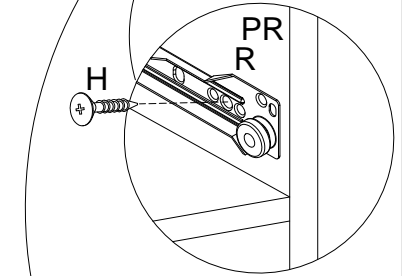
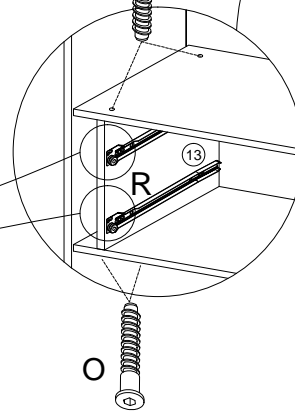
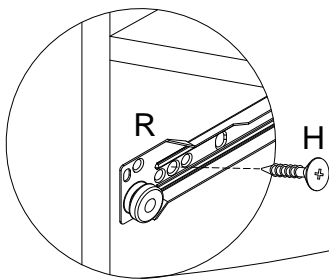
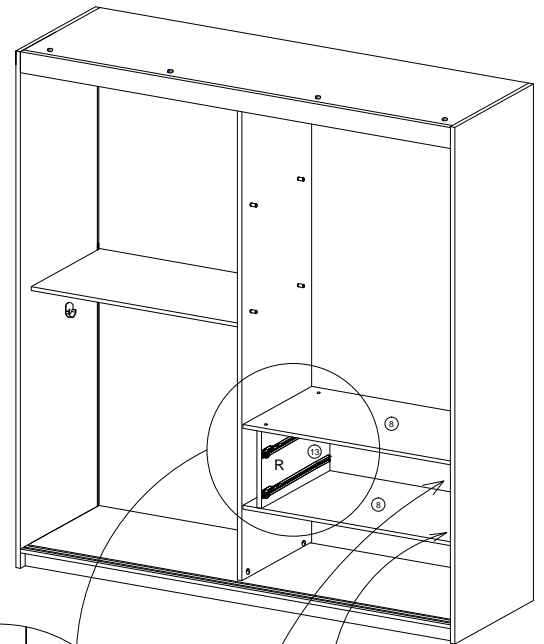
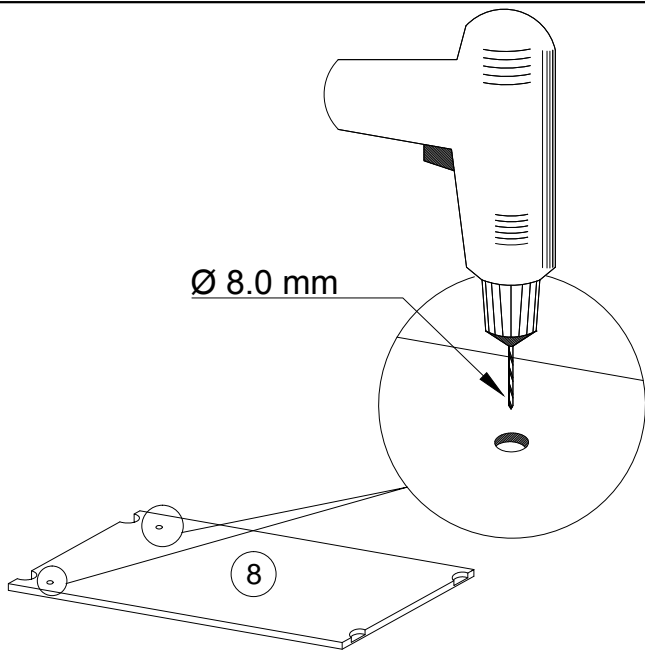
4





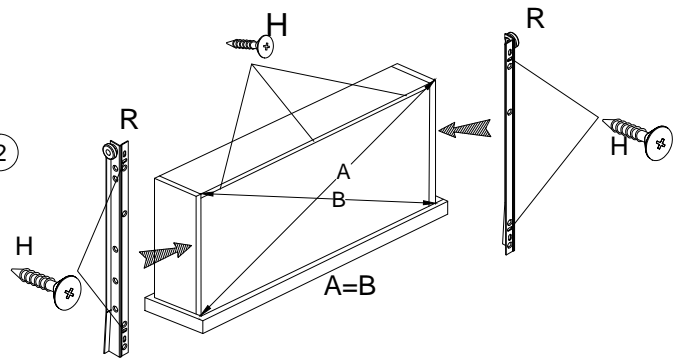
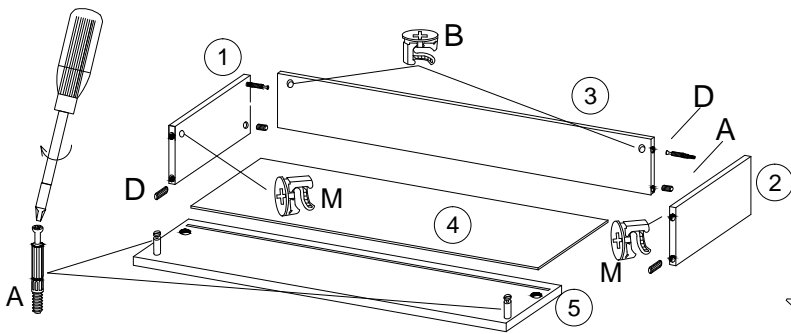
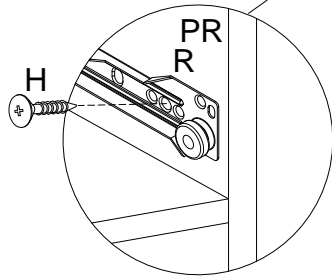
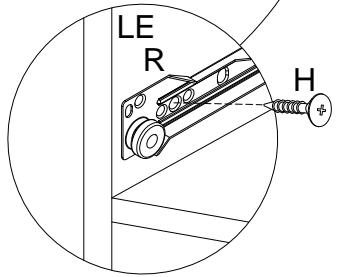
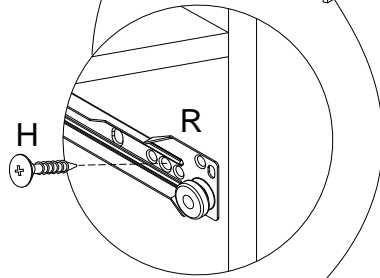
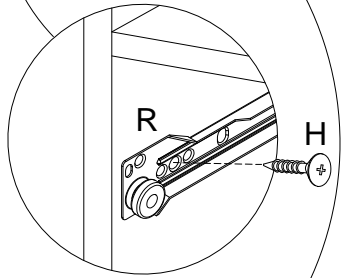
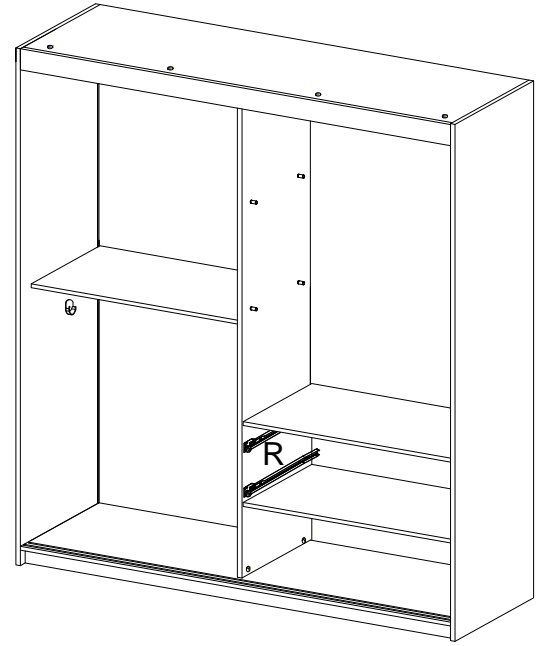
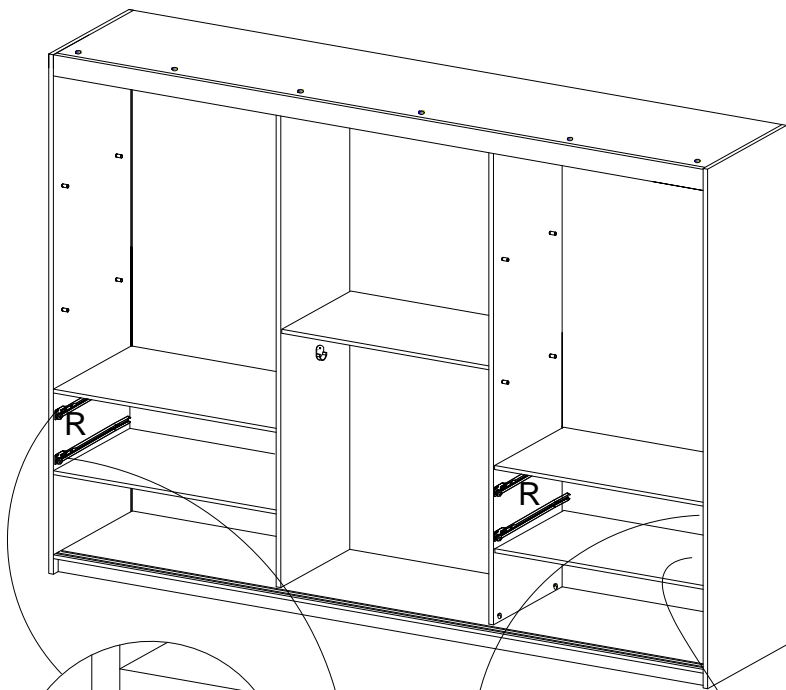
	L-450mm 	3.5x16 
X1	R	H
4	2	24

Q	O	X	A	M	D
1	4	8	8	8	8



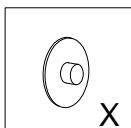
	L-450mm 	3.5x16 
X1	R	H
4	2	24

Q	O	X	A	M	D
1	4	8	8	8	8



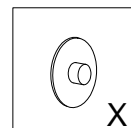
No.	Pcs.	L	W	D
1.	2	450	110	16
2.	2	450	110	16
3.	2	418	110	16
4.	2	453	446	3
5.	2	160	468	16

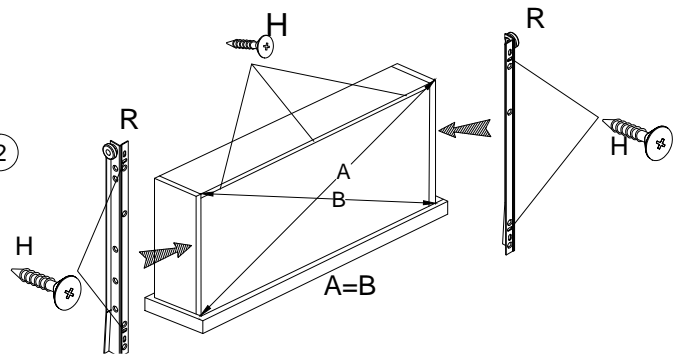
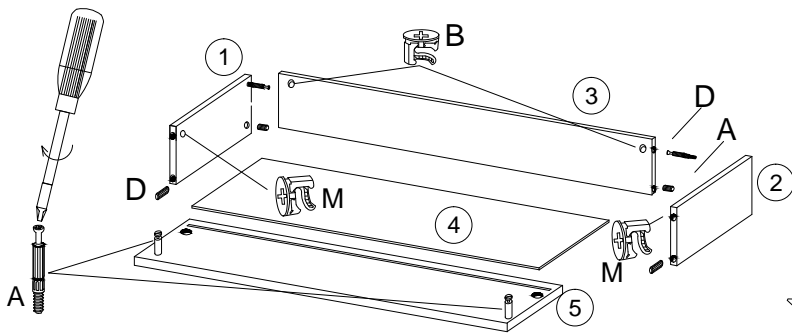
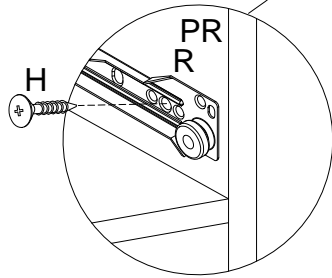
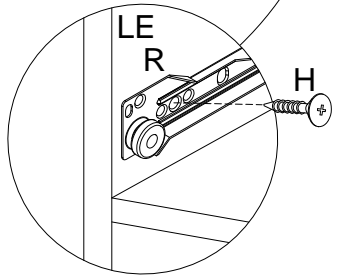
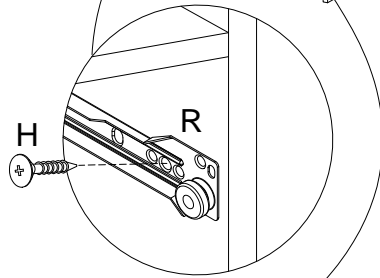
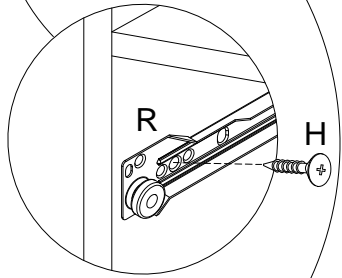
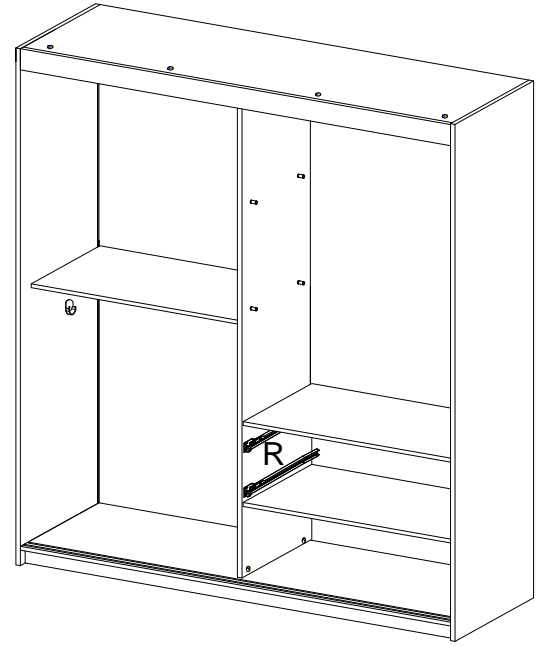
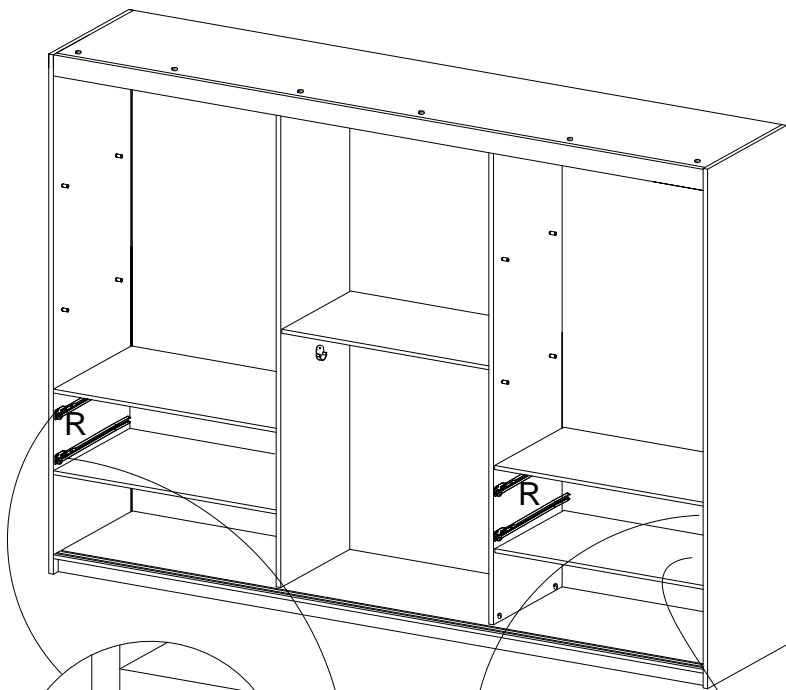
L-450mm		3.5x16
	R	H
2		24
	A	
8		8
	D	
8		8



No.	Pcs.	L	W	D
1.	2	450	110	16
2.	2	450	110	16
3.	2	610	110	16
4.	2	453	638	16
5.	2	160	660	16

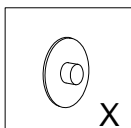
L-450mm		3.5x16
	R	H
2		24
	A	
8		8
	D	
8		8





No.	Pcs.	L	W	D
1.	2	450	110	16
2.	2	450	110	16
3.	2	418	110	16
4.	2	453	446	3
5.	2	160	468	16

 L-450mm		 3.5x16
	R	H
2		24
 A	 M	 D
8	8	8



No.	Pcs.	L	W	D
1.	2	450	110	16
2.	2	450	110	16
3.	2	610	110	16
4.	2	453	638	16
5.	2	160	660	16

 L-450mm		 3.5x16
	R	H
2		24
 A	 M	 D
8	8	8

