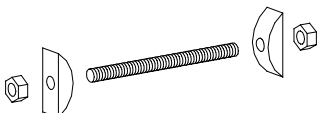




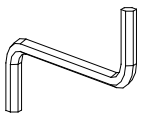
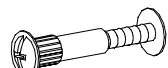


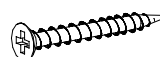

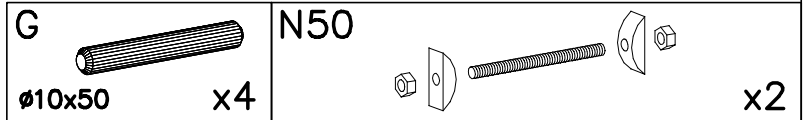
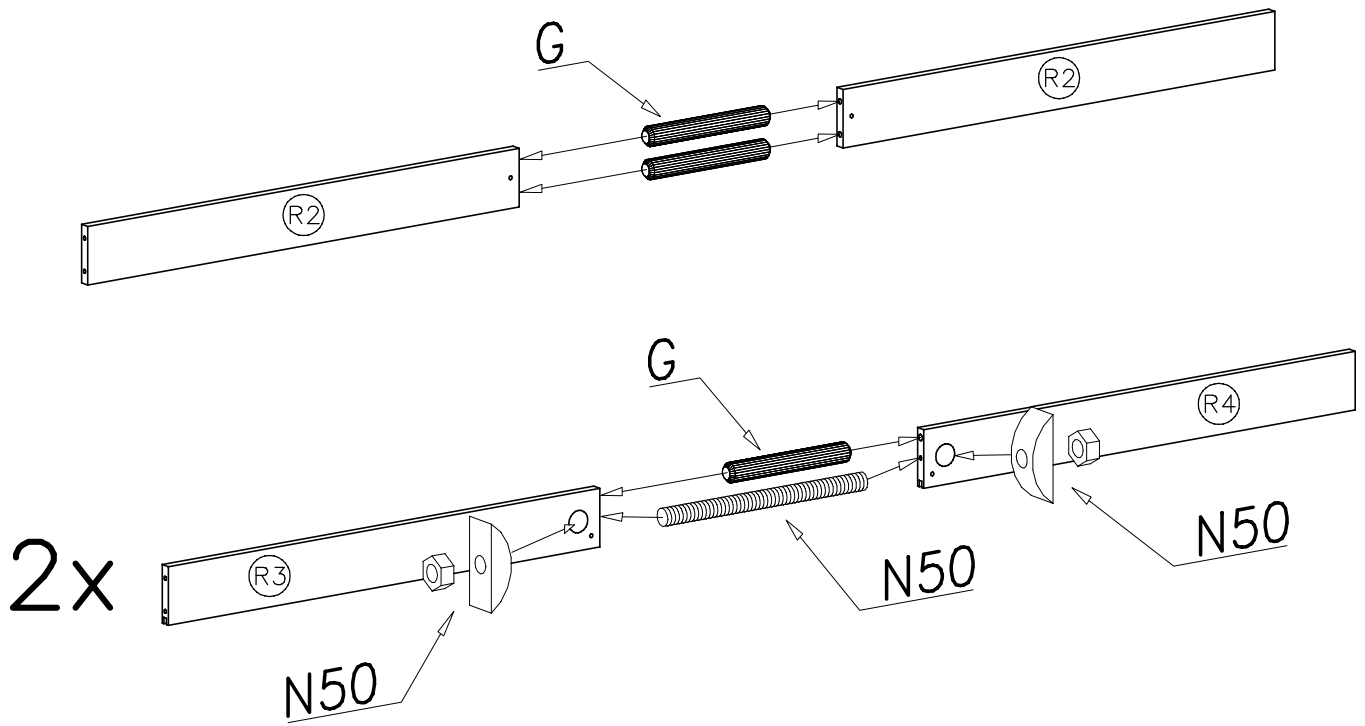
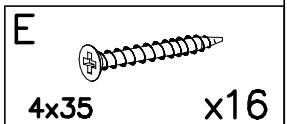
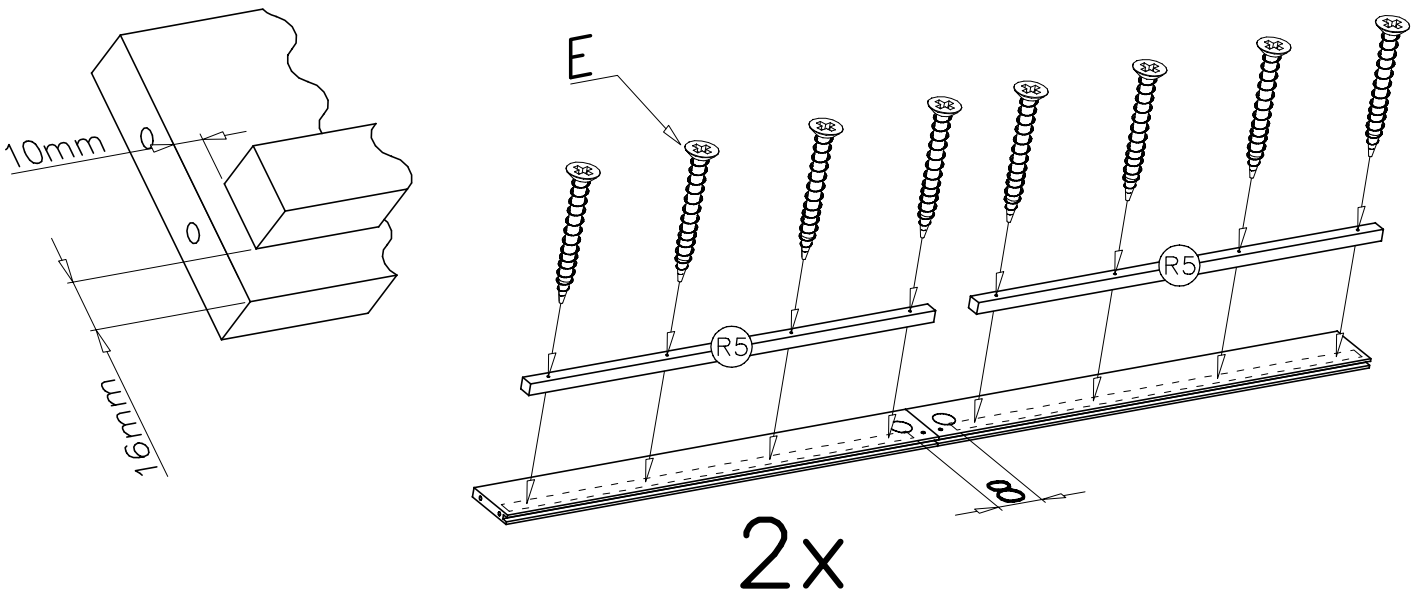


|  |   |   |  |   |
|--|---|---|--|---|
| <b>N50</b><br><br>x2        |   |   |  |   |
| <b>W</b><br><br>4x16<br>x4  | <b>U</b><br><br>x2         | <b>G</b><br><br>ø10x50<br>x4 | <b>K</b><br><br>ø8<br>x4    | <b>H</b><br><br>x1         |
| <b>I</b><br><br>ø8x35<br>x4 | <b>M</b><br><br>4x25<br>x4 | <b>C</b><br><br>6x50<br>x18  | <b>E</b><br><br>4x35<br>x16 | <b>B</b><br><br>6x70<br>x8 |

I

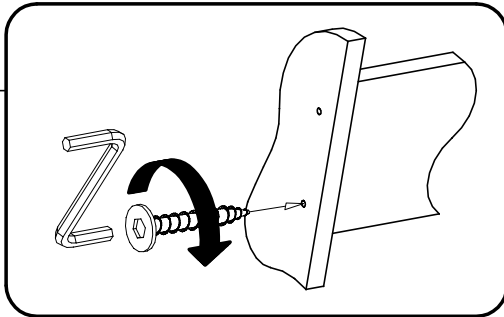
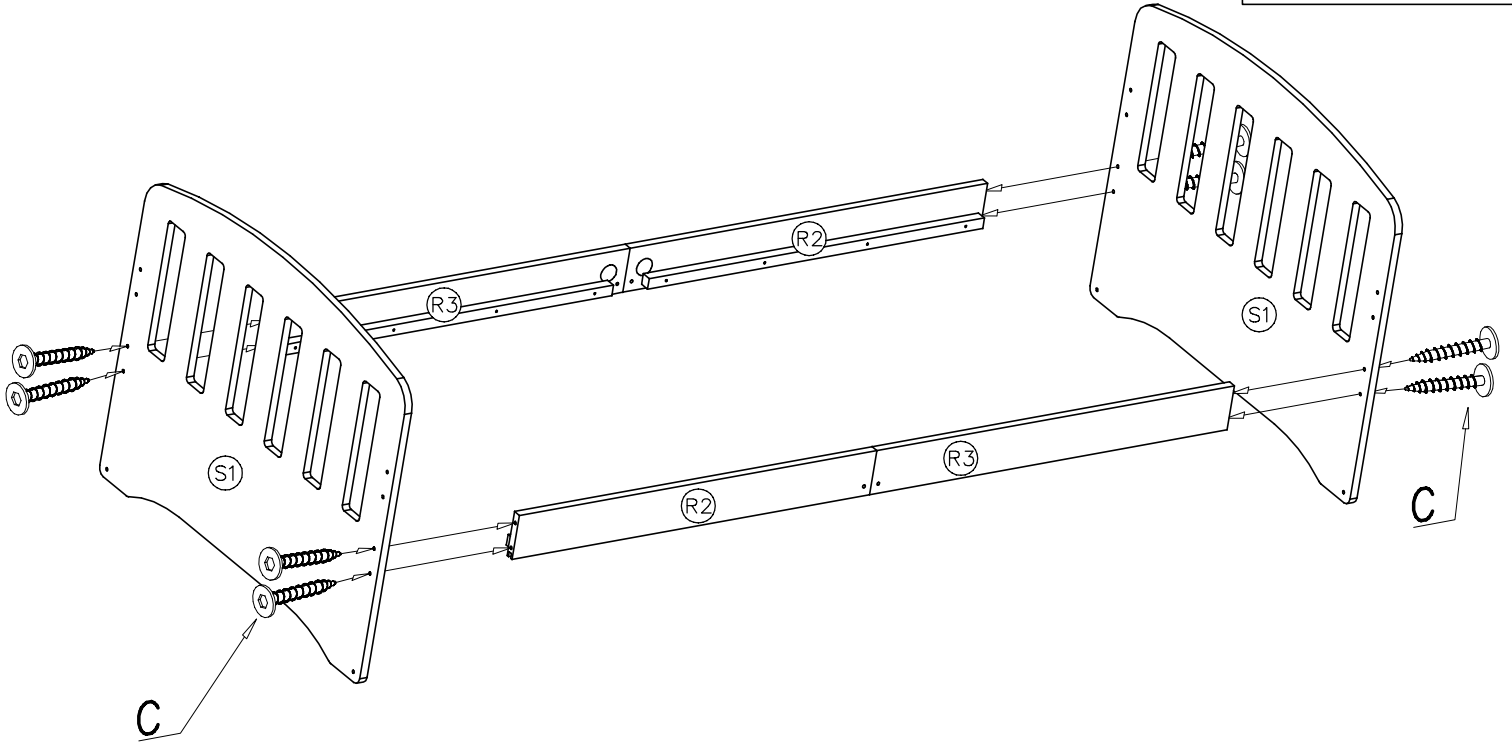


II



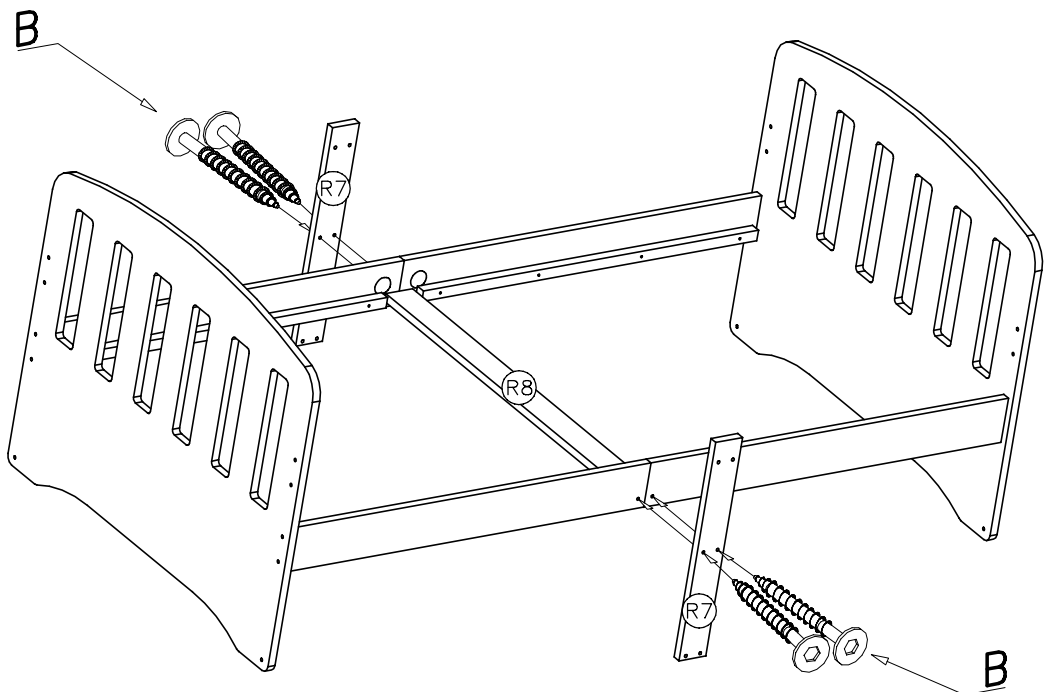
III

C  
6x50 x8

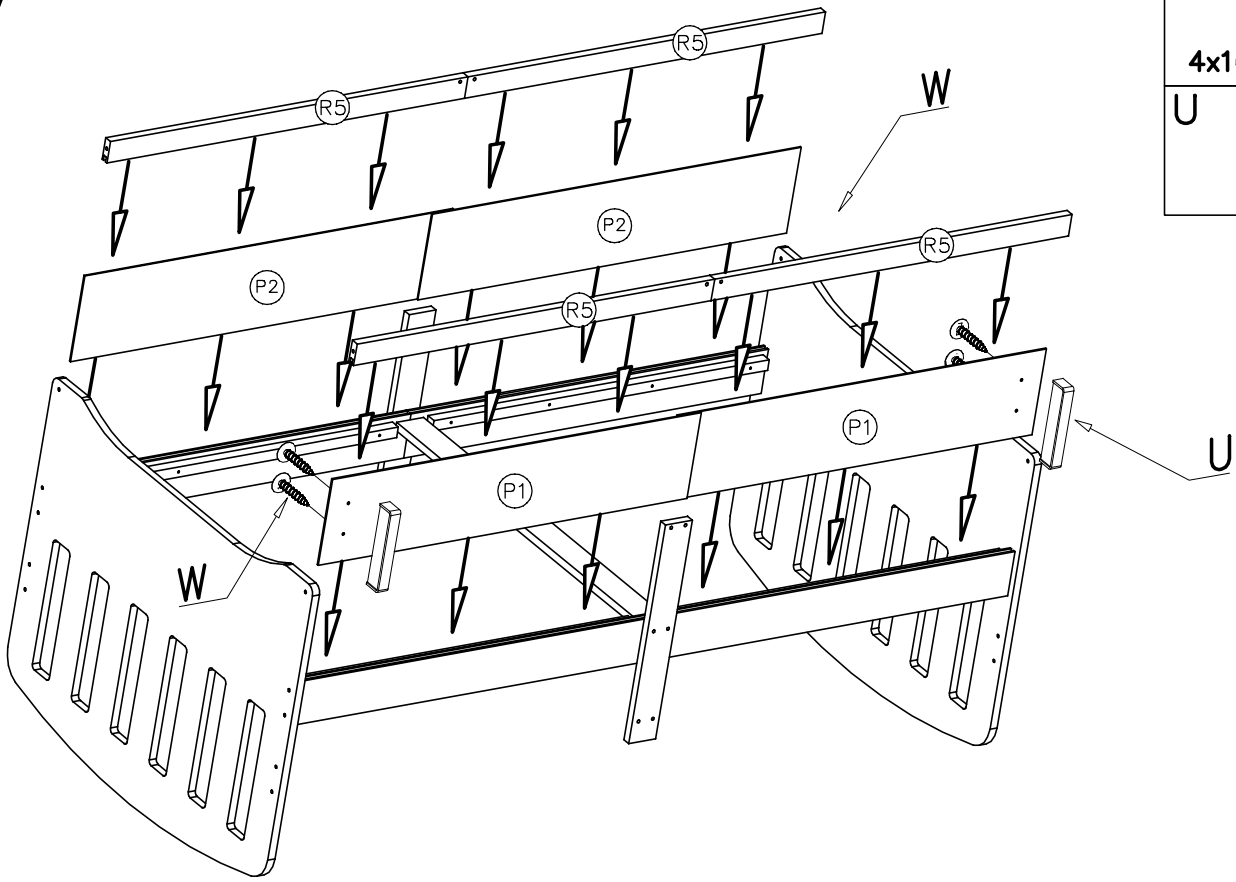




B  
6x70 x4

IV

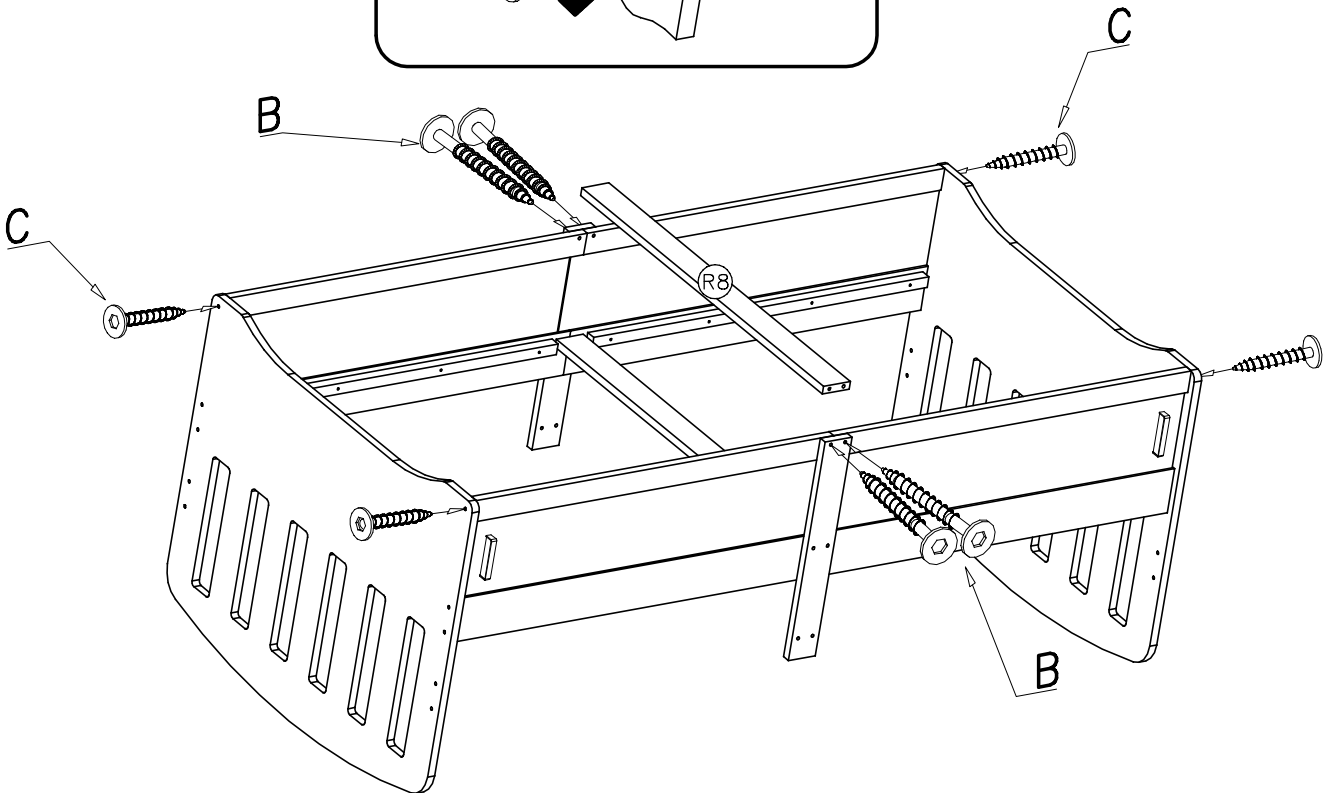
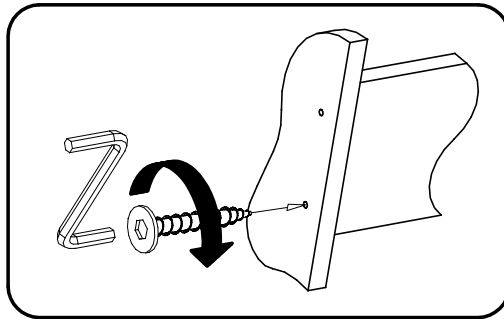




V



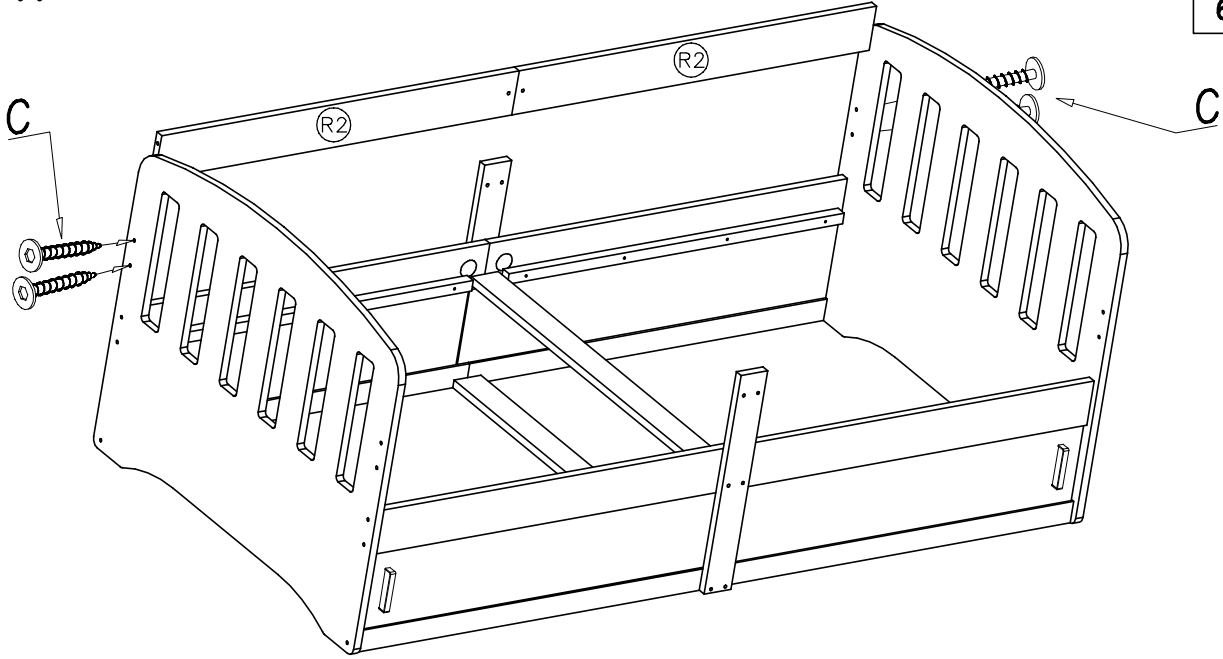
- |      |   |    |
|------|---|----|
| W    |  |    |
| 4x16 |   | x4 |
| U    |  |    |
|      |   | x2 |

VI



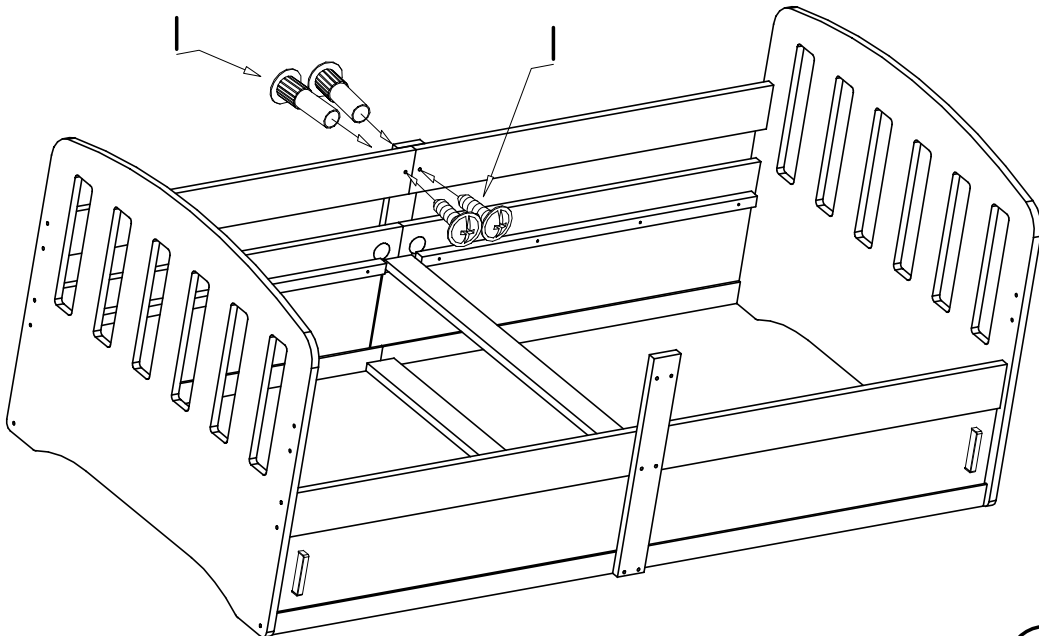
- |      |   |    |
|------|---|----|
| B    |  |    |
| 6x70 |   | x4 |
| C    |  |    |
| 6x50 |   | x4 |

# VII

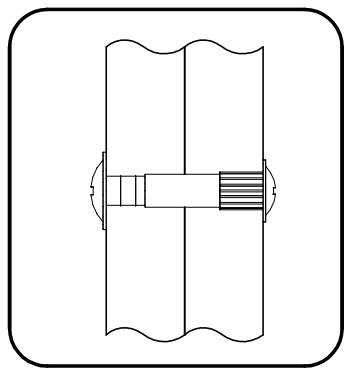


C  
6x50 x4

# VIII

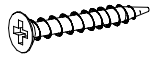


I  
ø8x35 x2



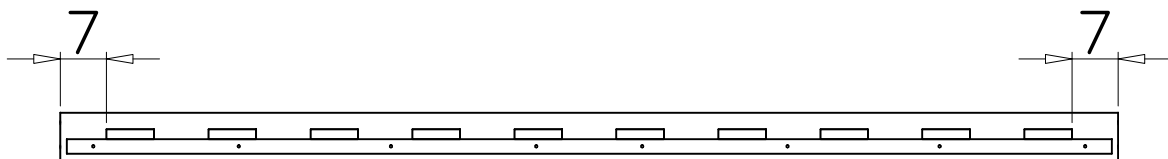
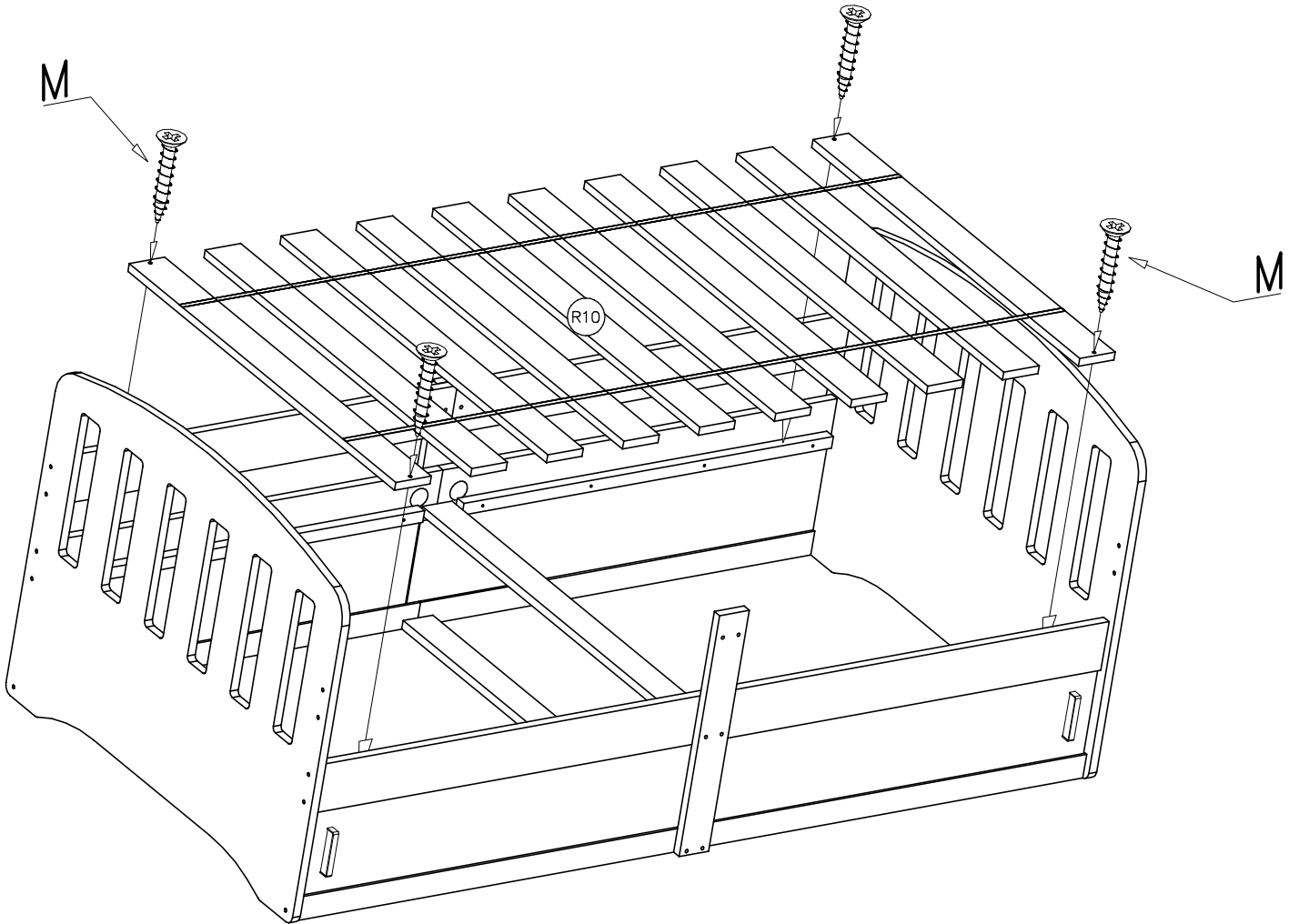
IX

M


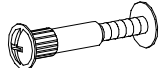



4x25

x4



X

|   |   |    |
|---|---|----|
| K |  | x4 |
| I |  | x2 |

|   |   |    |
|---|---|----|
| C |  | x2 |
|---|---|----|

