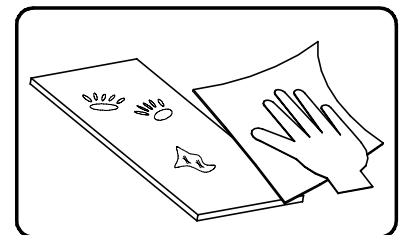
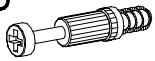
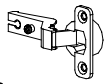

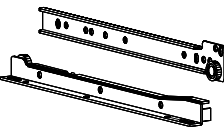
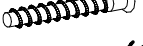


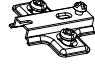






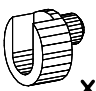

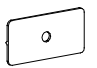
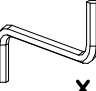


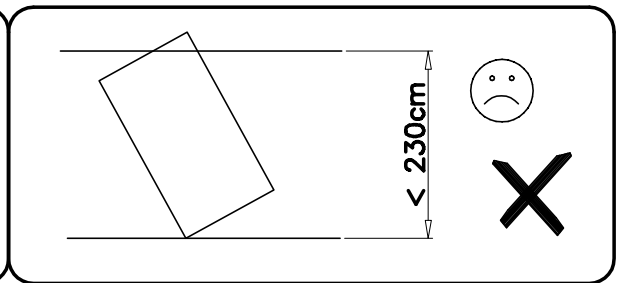
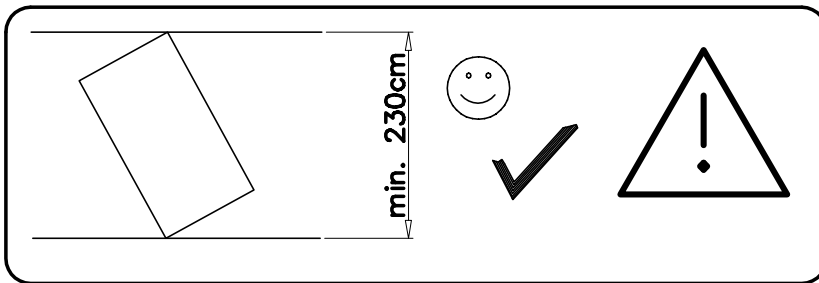
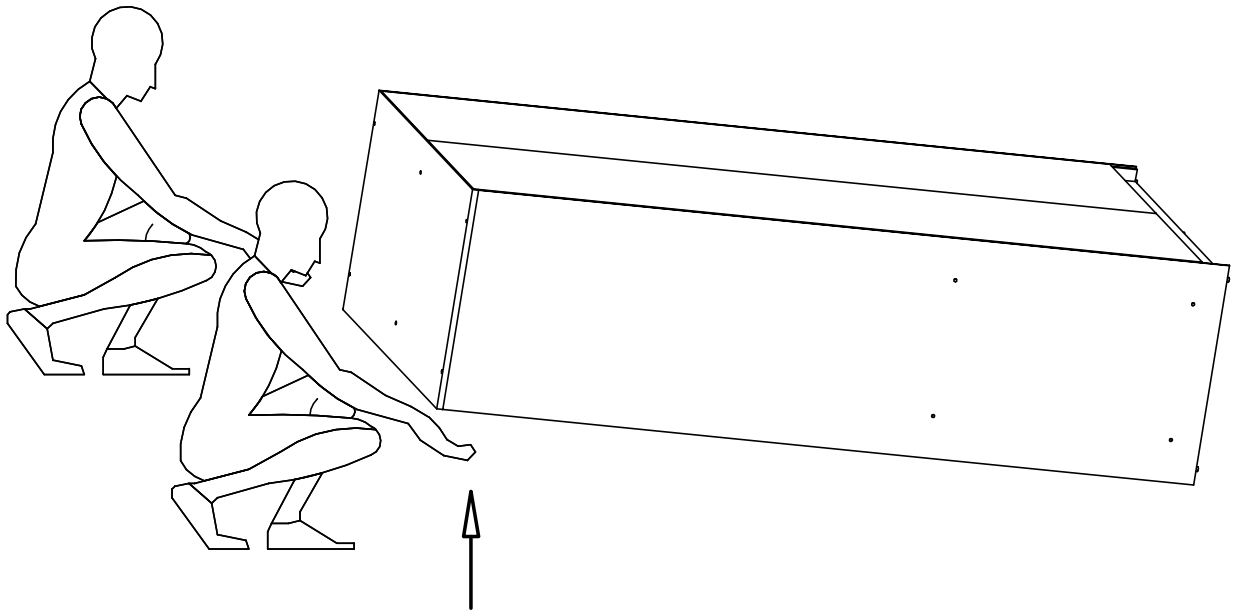


No.	L[mm]	W[mm]	T[mm]	Stc.	Colli
1	575	999	16	1	2/3
2	571	966	16	1	2/3
3	1980	575	16	1	1/3
4	1980	575	16	1	1/3
5	1894	571	16	1	1/3
7	475	571	16	1	2/3
8	475	545	16	1	2/3
9	475	552	16	2	2/3
10	70	966	16	2	2/3

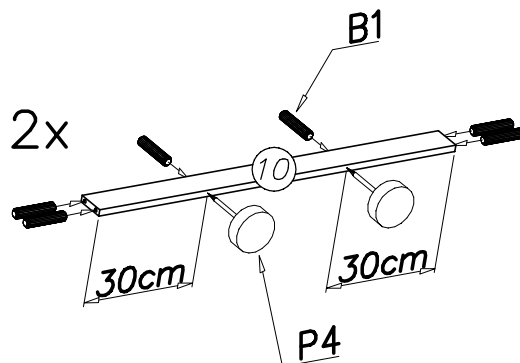
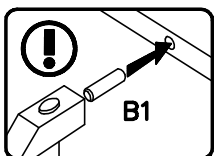
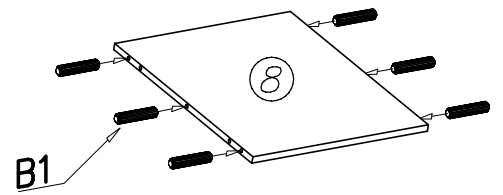
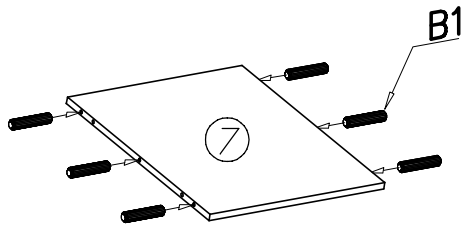
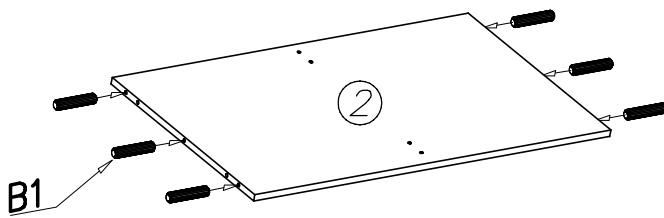
No.	L[mm]	W[mm]	T[mm]	Stc.	Colli
12	1920	492	3	2	1/3
13	198	469	16	3	3/3
14	120	450	16	3	2/3
15	120	450	16	3	2/3
16	100	417	16	3	2/3
17	458	434	3	3	1/3
18	1888	469	16	1	3/3
20	1260	469	16	1	3/3



			K5  x...(6)	C4  Z350D x...(6)	E17  x...(5)
H7  x...(3)	A1  Ø7x50 x...(26)	F1  x...(9)	K1  Ø15x12 x...(6)	D4  PZ350D x...(6)	I9  x...(26)
	G4  4x16 x...(12)	G29  6x11 x...(12)	S5  x...(1)	G6  3x13 x...(22)	I7  x...(6)
S4  x...(2)	B1  Ø8x35 x...(66)	S17  x...(12)	W2  x...(1)	P4  x...(8)	W4  x...(100)

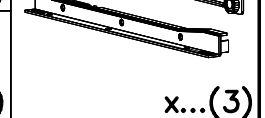
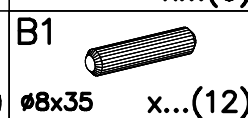
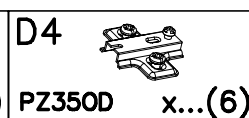
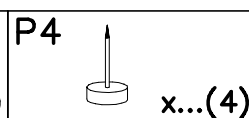
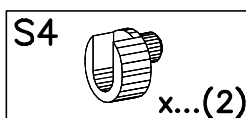
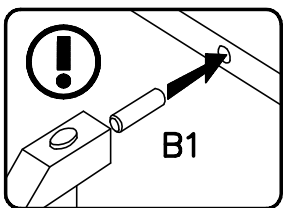
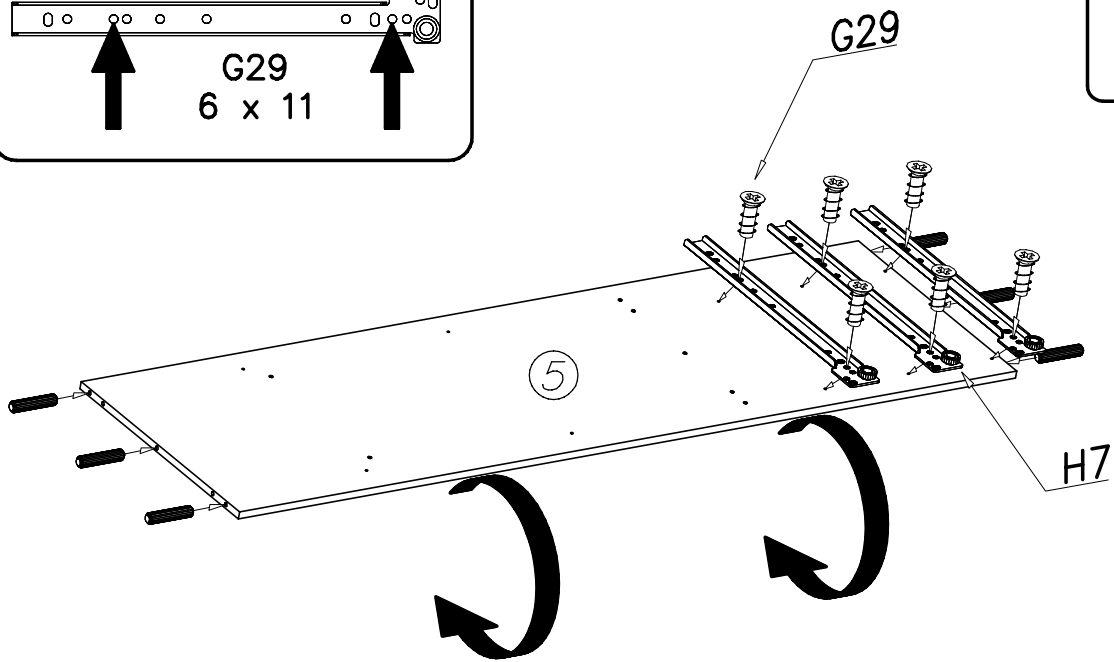
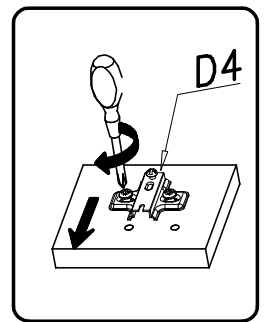
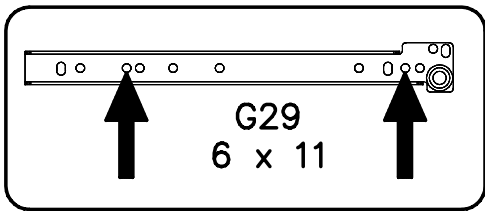
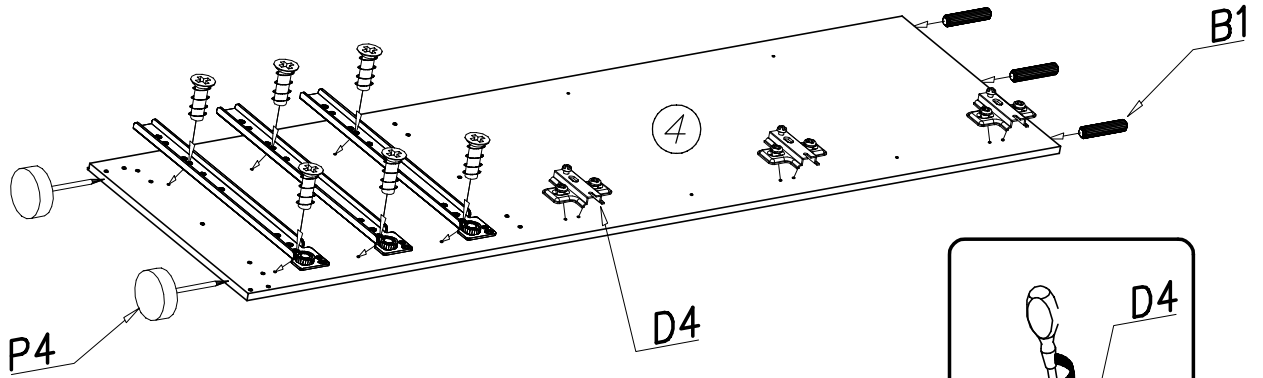
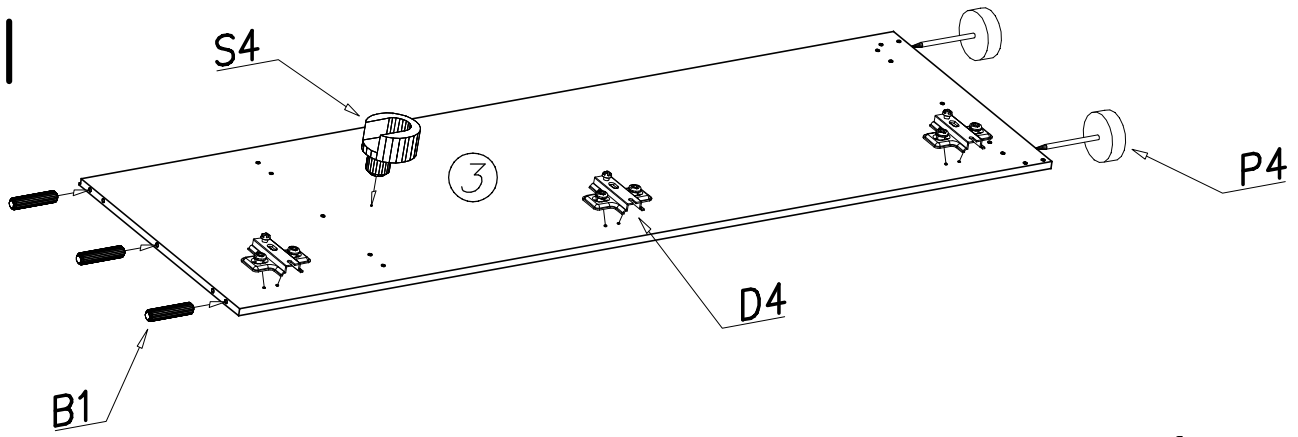


1



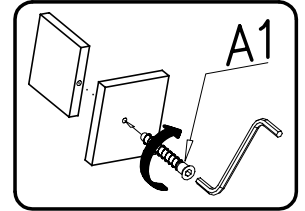
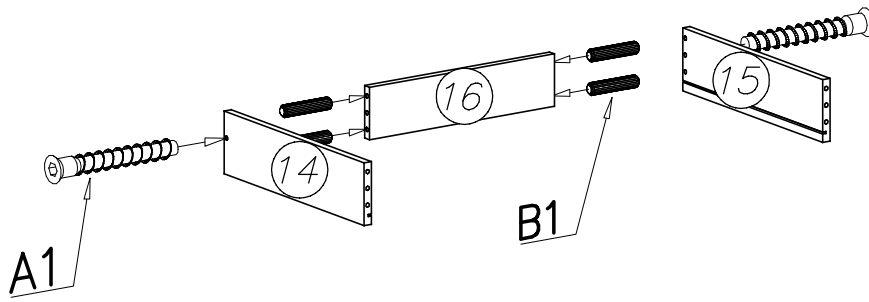
P4		x...(4)
B1		x...(30)
		ø8x35

II

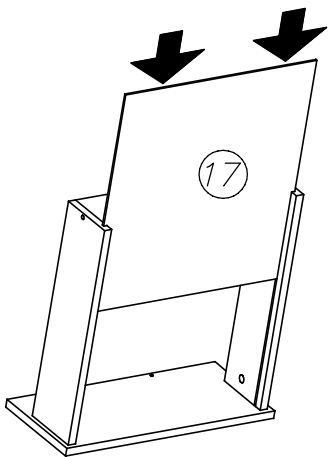




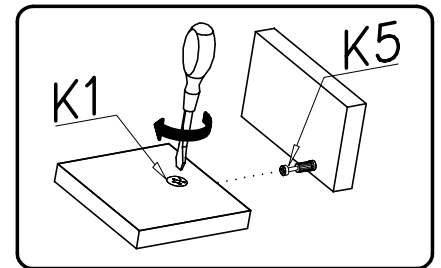
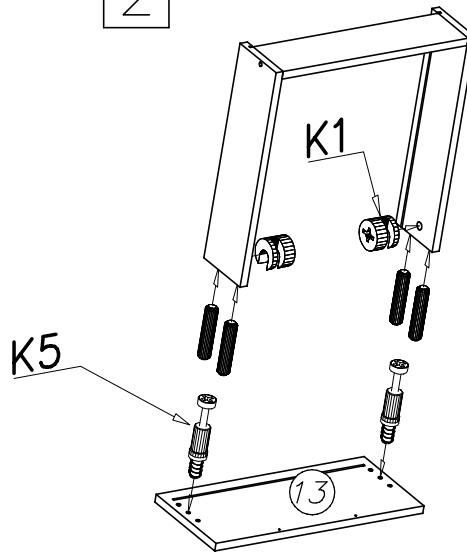
1



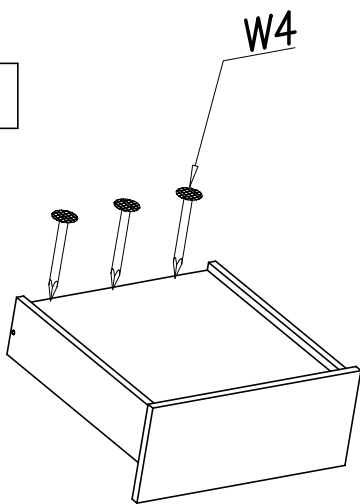
3



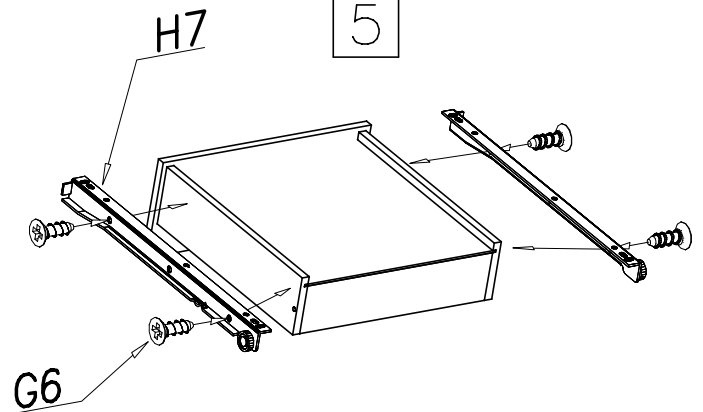
2



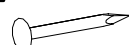


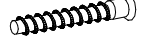
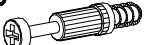


4

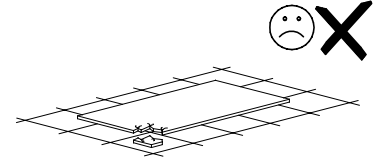
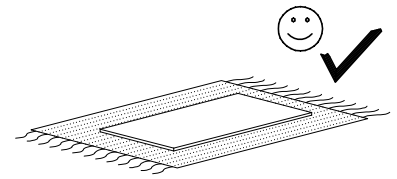
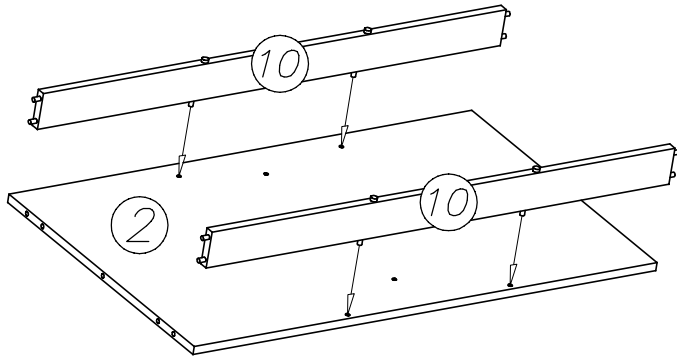


5

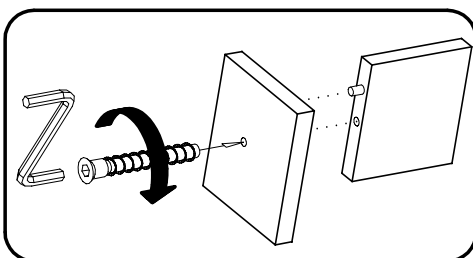
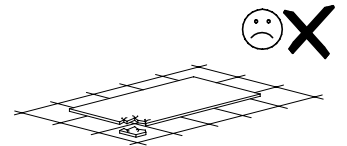
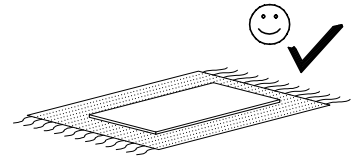
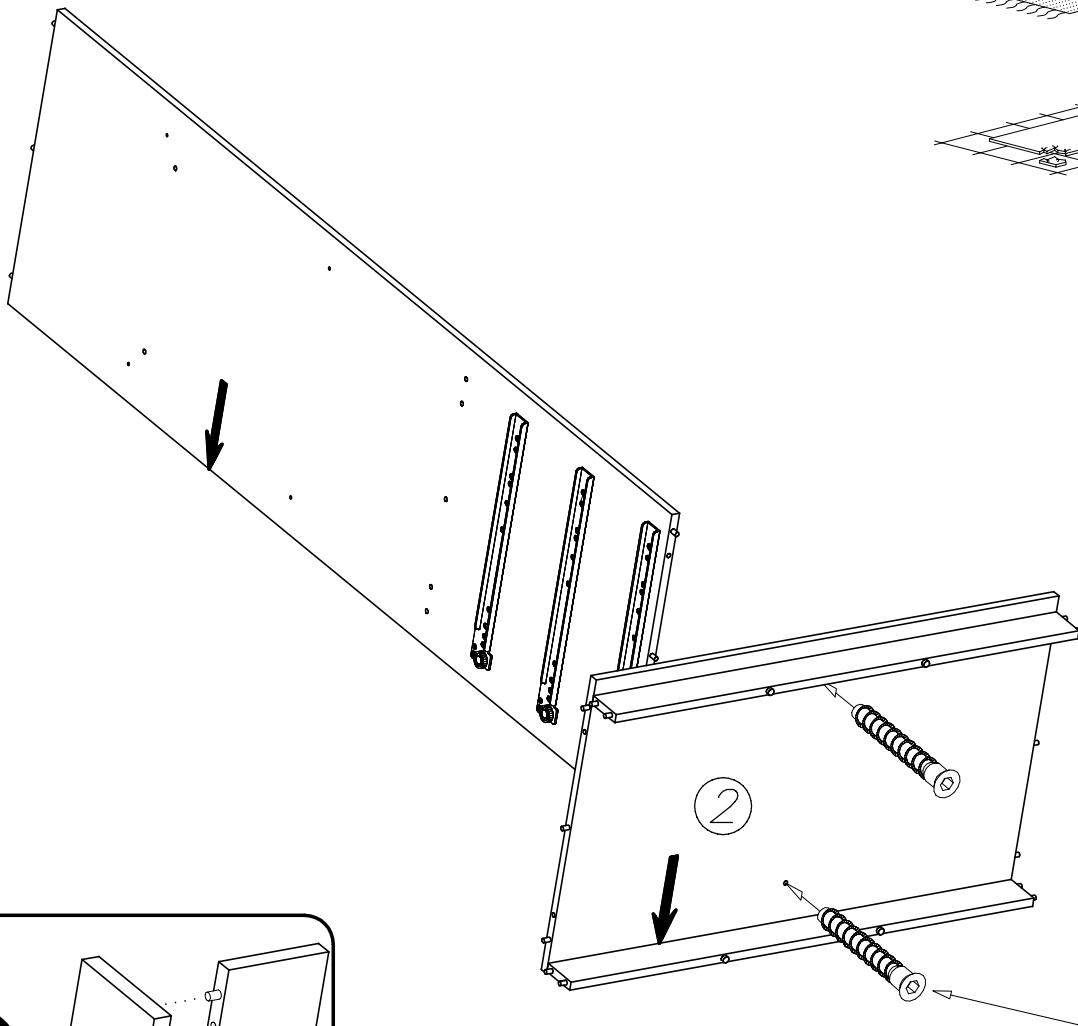


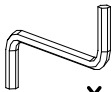

H7  x...(6)	G6  3x13 x...(12)	W4  x...(15)	K1  ø15x12 x...(6)
B1  ø8x35 x...(24)	A1  ø7x50 x...(6)	K5  x...(6)	

IV

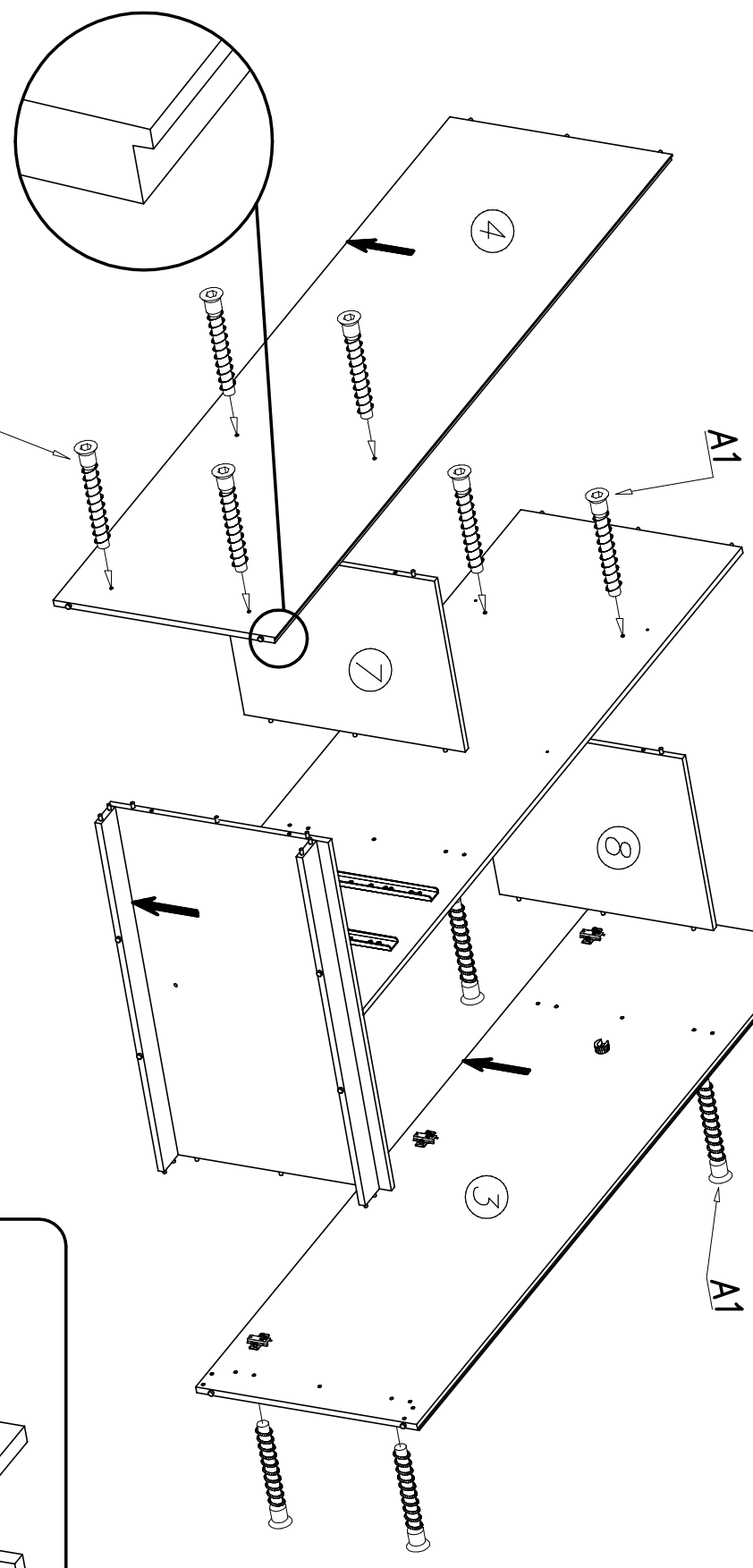
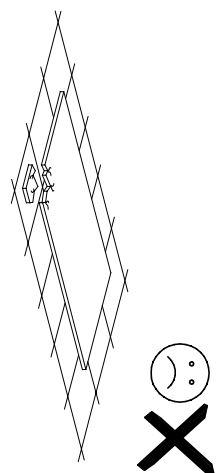
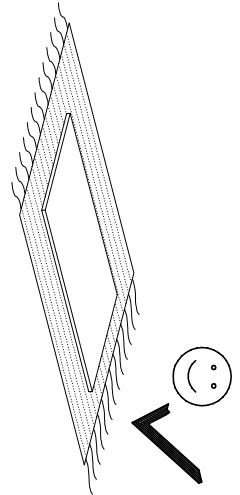


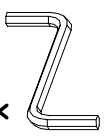
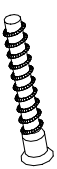
V

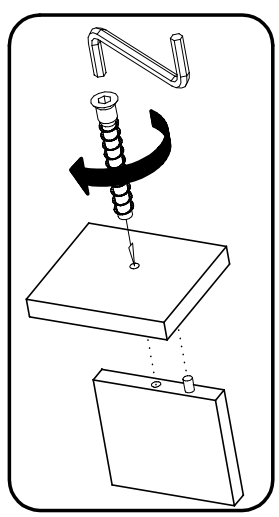


W2		A1	
	x...(1)	ø7x50	x...(2)

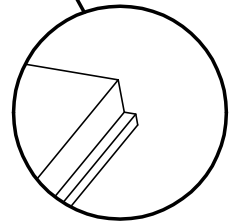
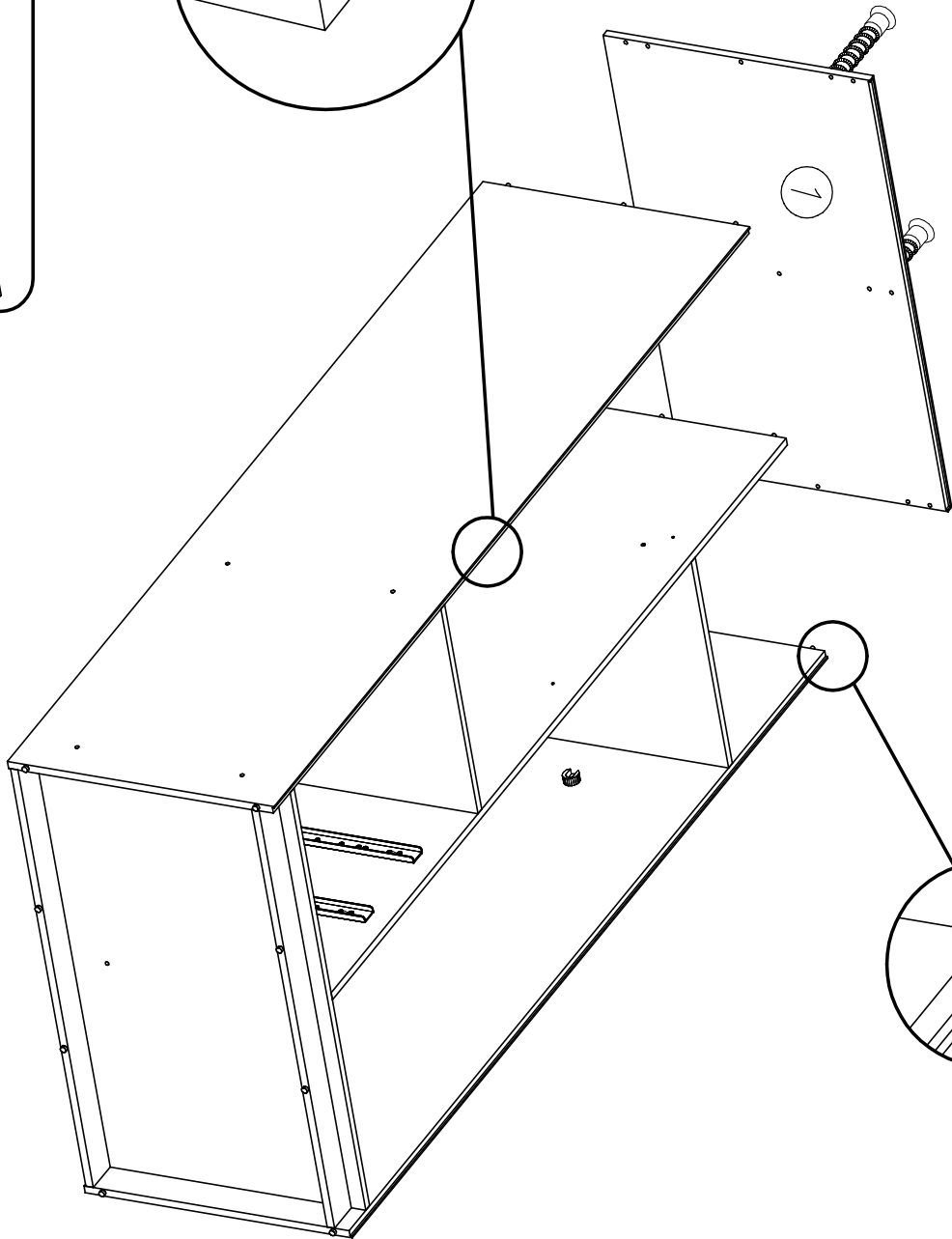
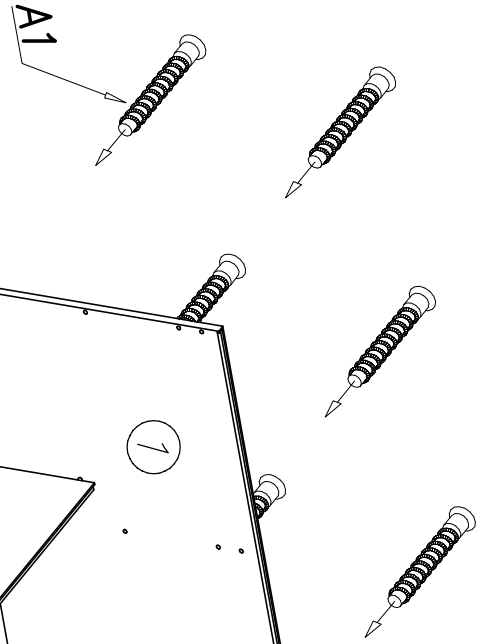
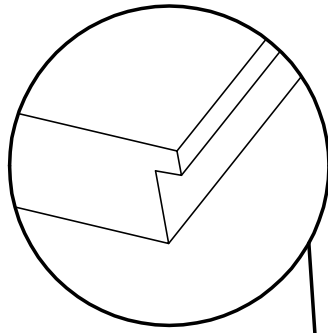
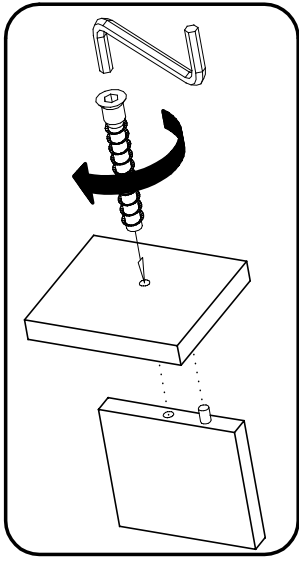
VI



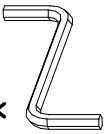
- | | |
|--|----|
|  | W2 |
|  | A1 |
- x...(1) x...(12)



VII

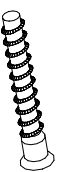


W2



x...(1)

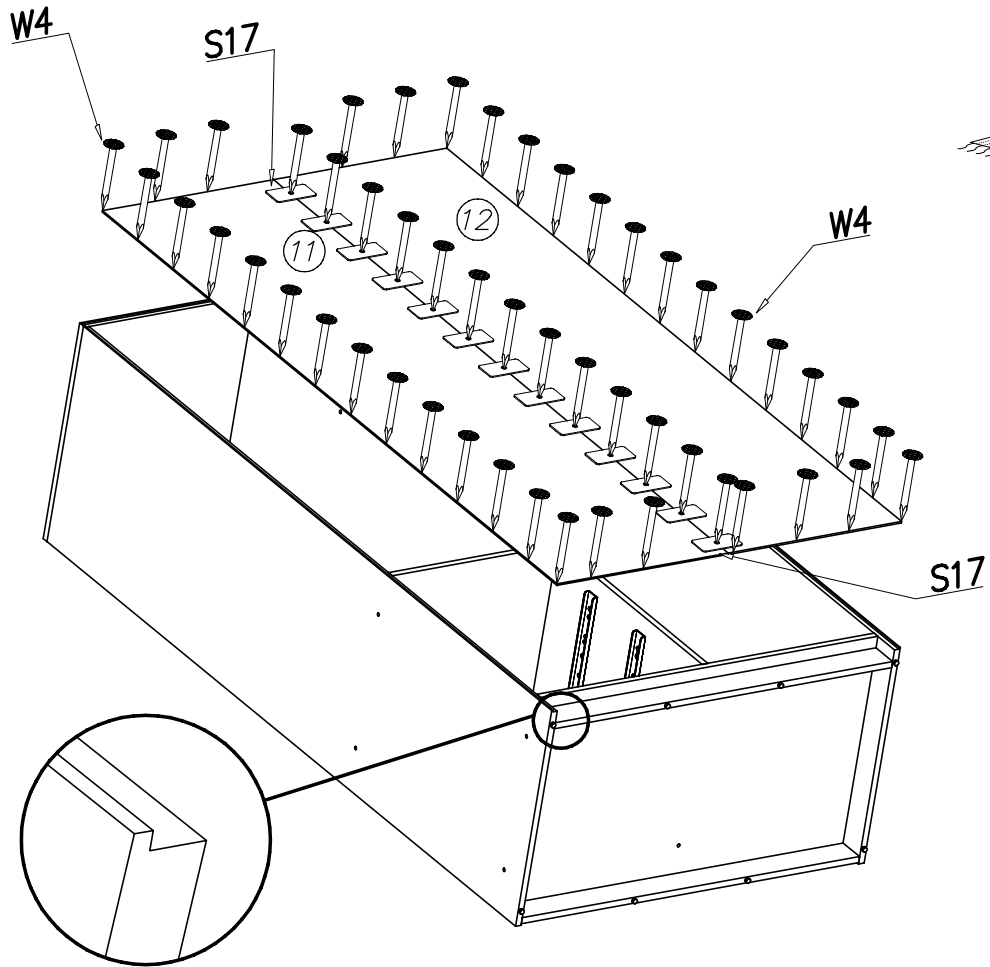
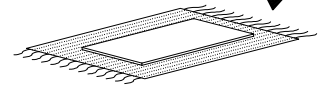
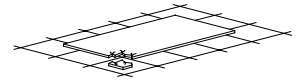
A1



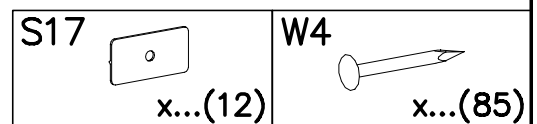
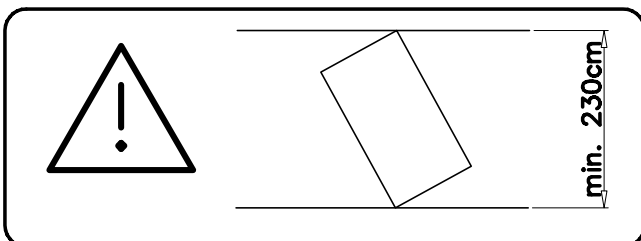
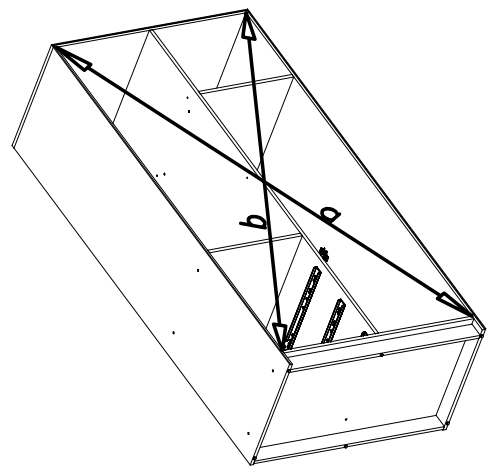
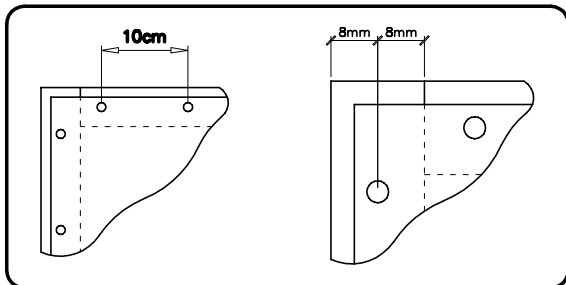
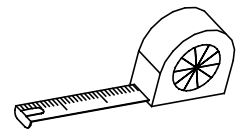
∅7x50

x...(6)

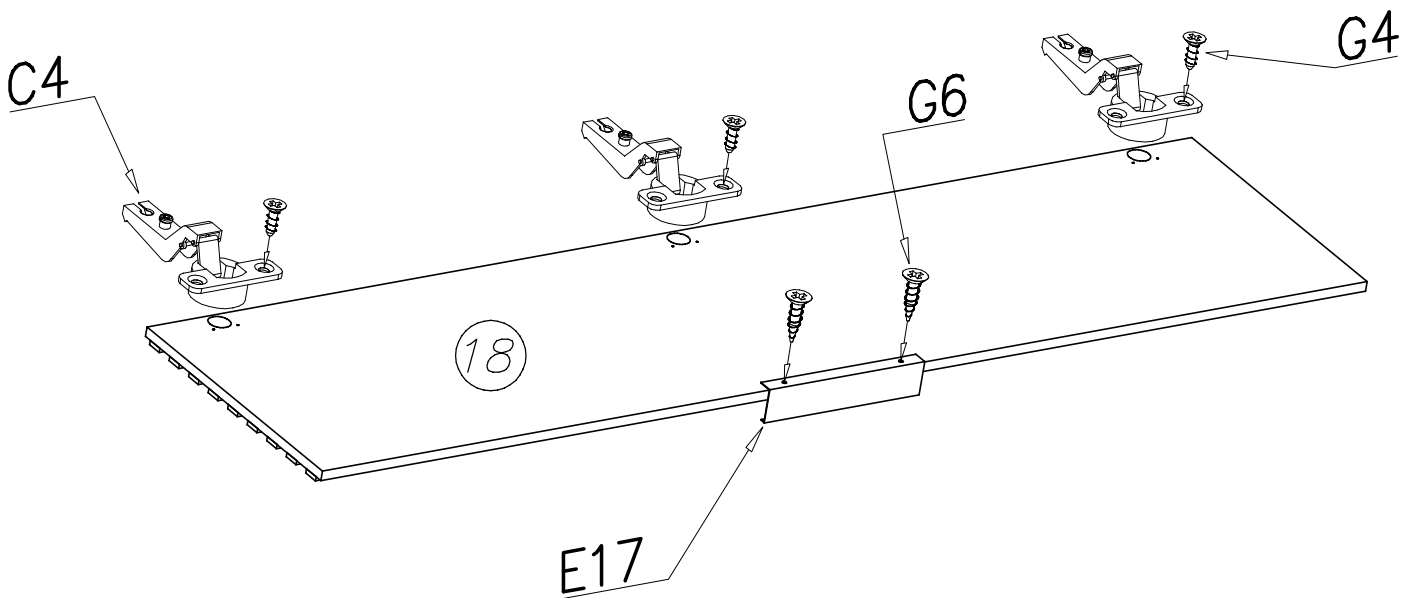
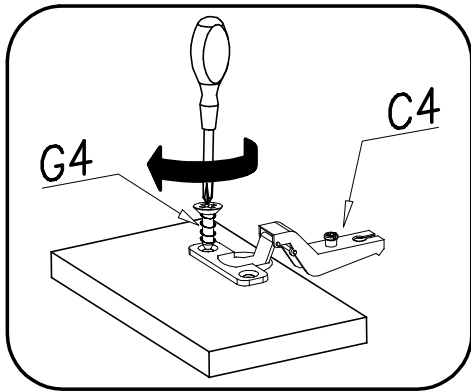
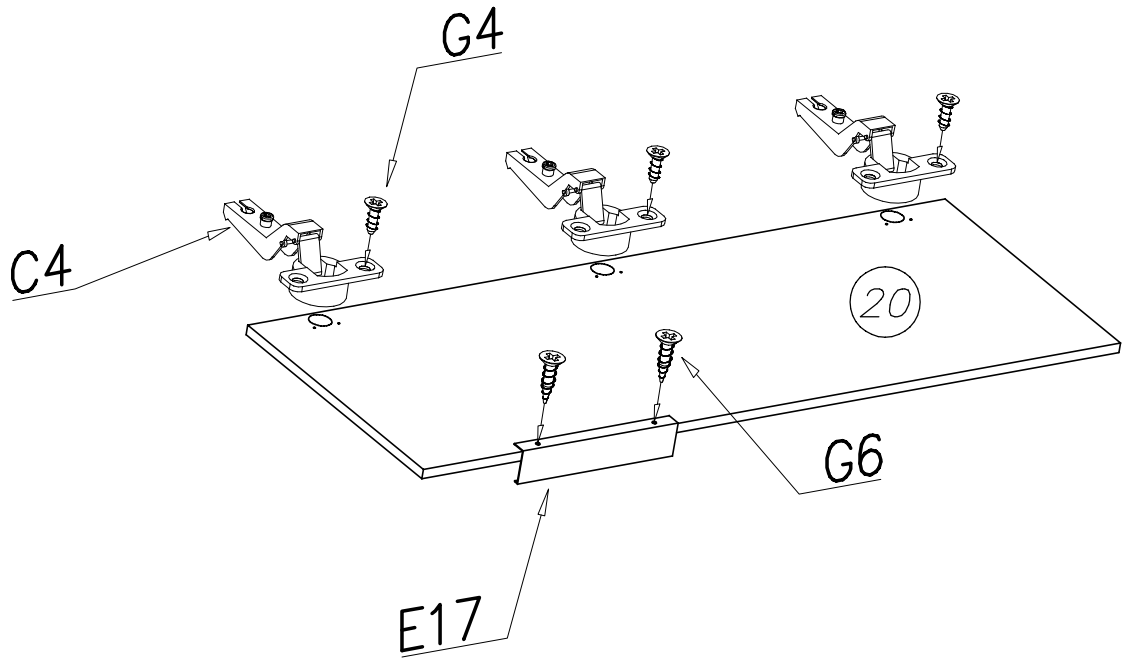
VIII


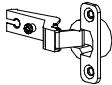




$$a = b$$

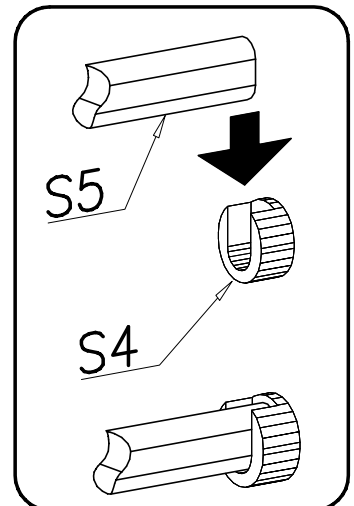
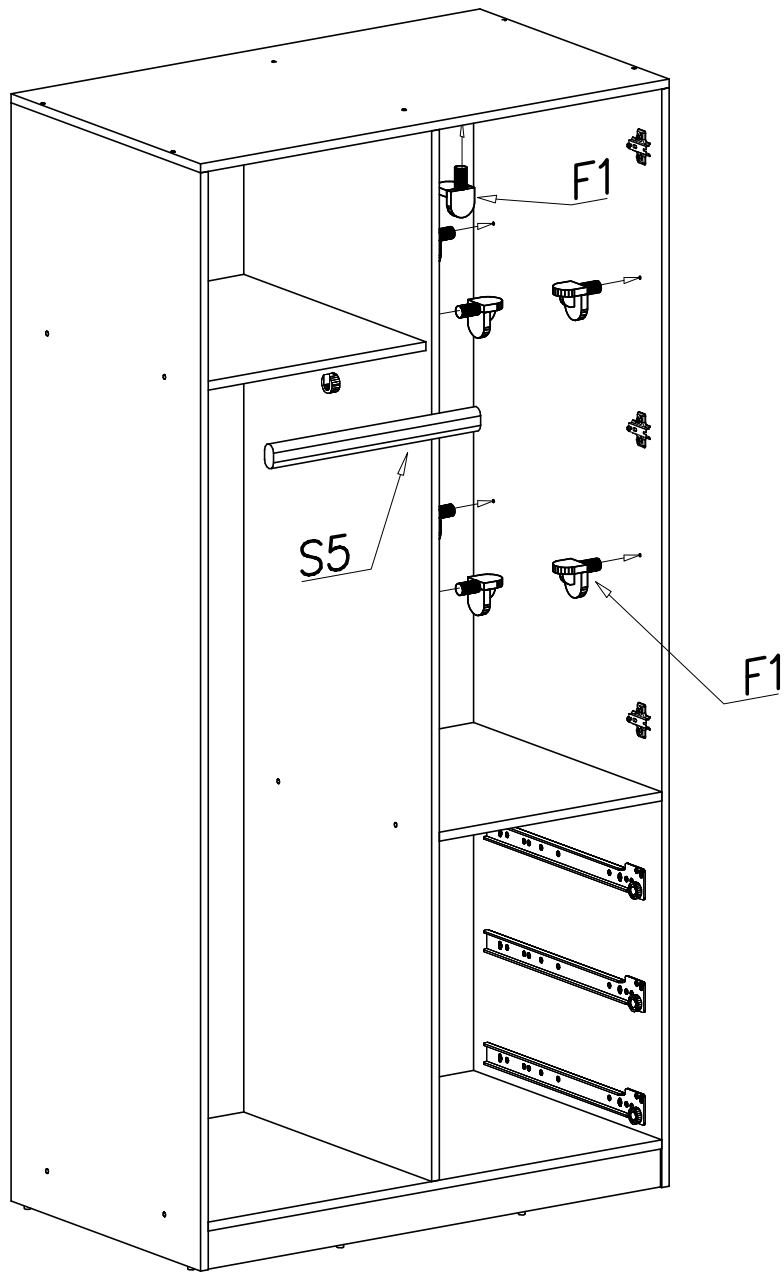




IX





G4		C4		G6		E17	
4x16	x...(12)	Z350D	x...(6)	3x13	x...(4)		x...(2)

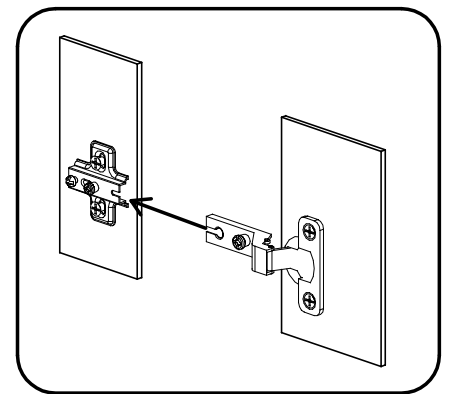
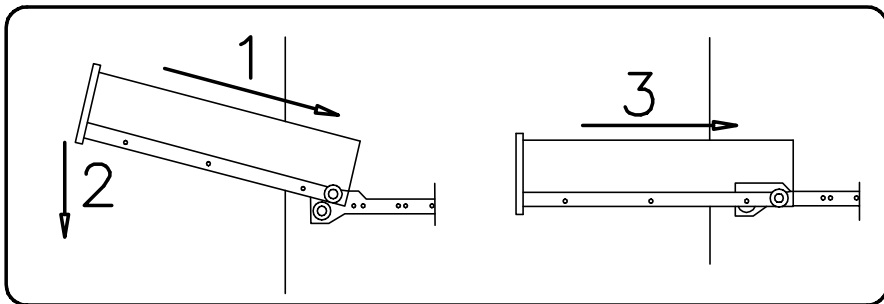
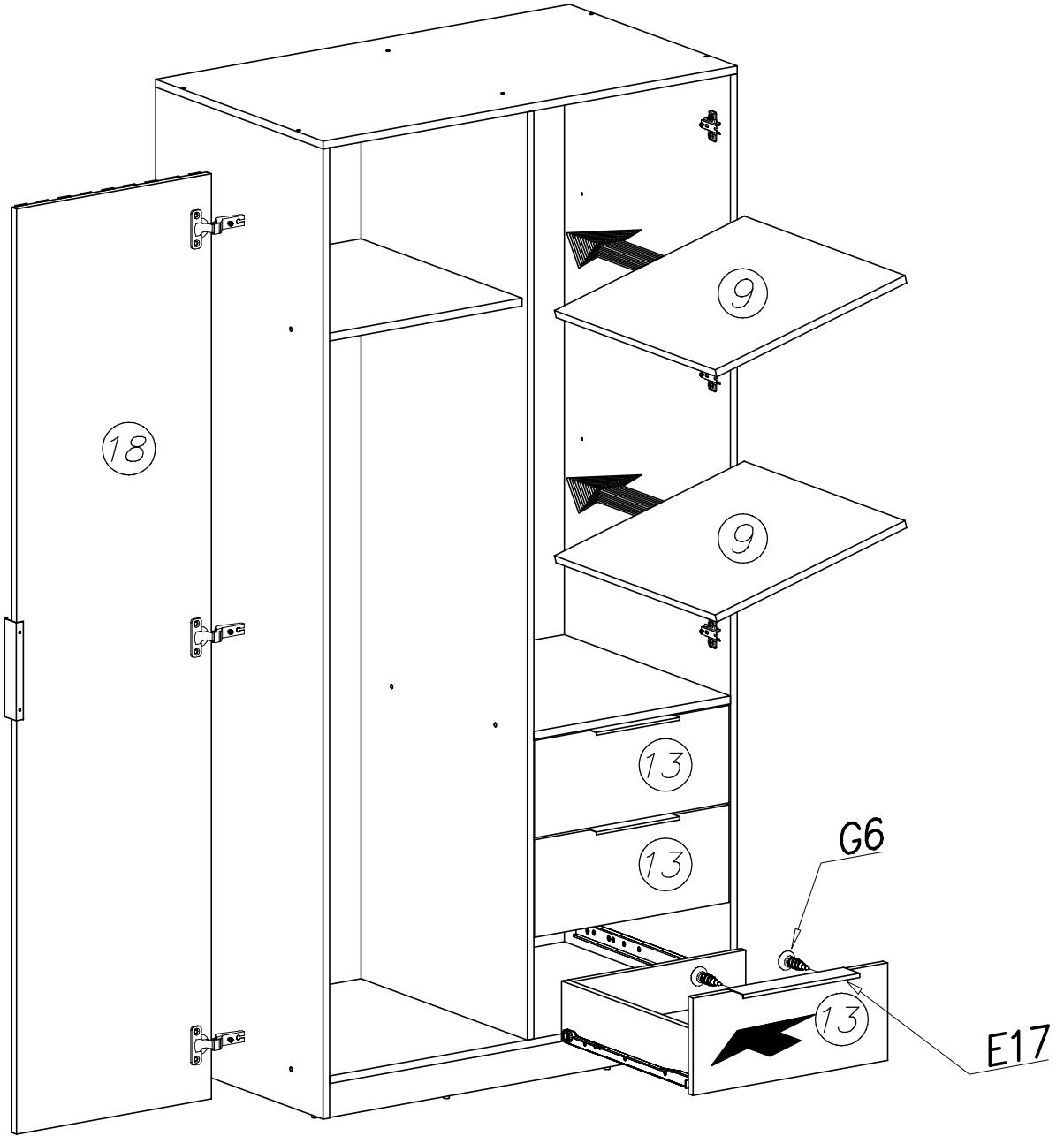
X



<p>F1</p>  <p>x...(9)</p>	<p>S5</p>  <p>x...(1)</p>
--	--

XI

G6		E17	
3x13	x...(6)		x...(3)



XII

