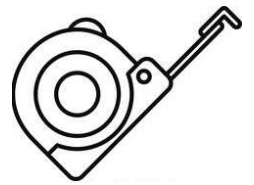
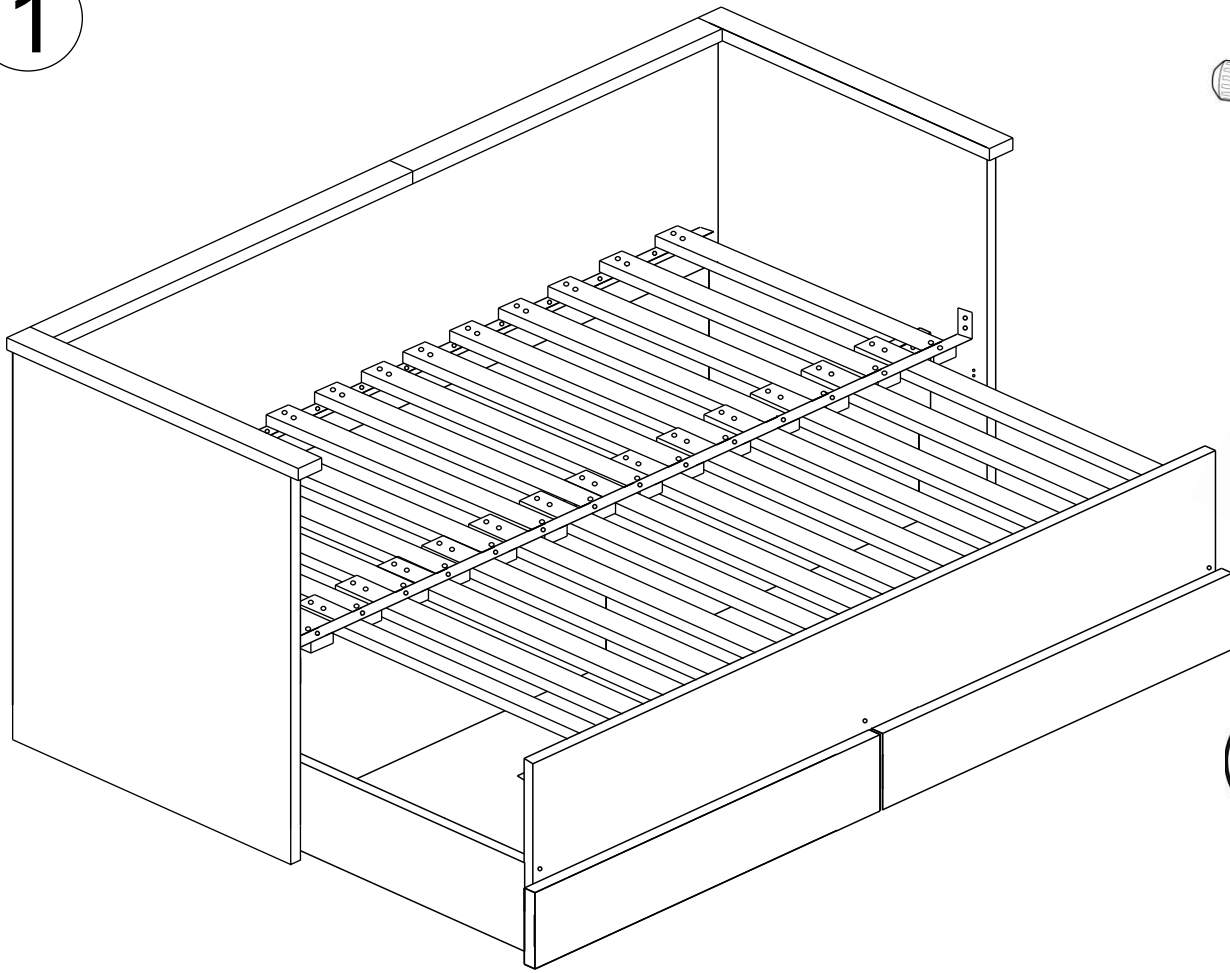


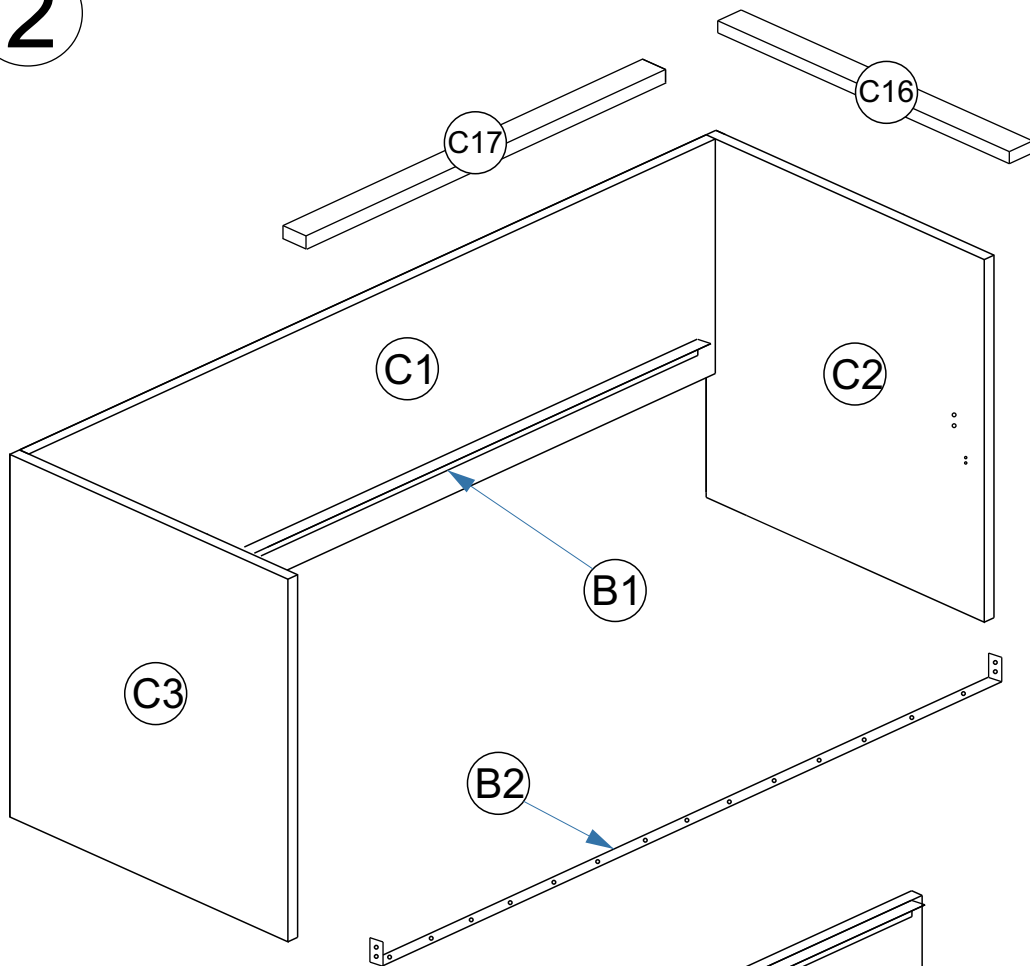
1



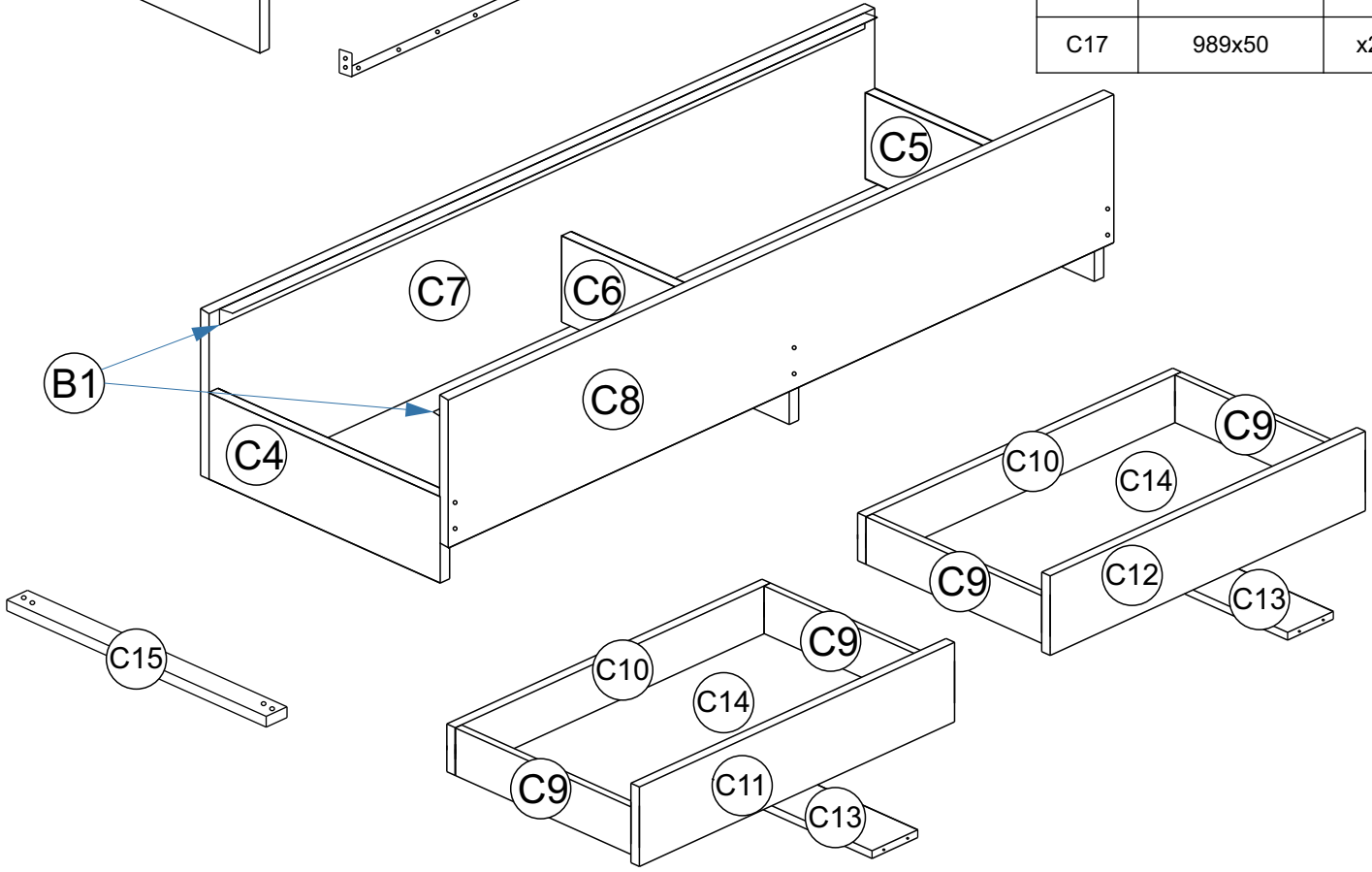
S1		18
S2		18
S3		20
S4		20
S5		20
S6 5,0x16		30
S7 3,5x20		32
S8 3,5x16		28
S9 3,5x35		4

S10 6,3x16		18
S11		8
S12		40
S13		2
S14		6
S15		12
S16		1
S17		2
S18		2

2

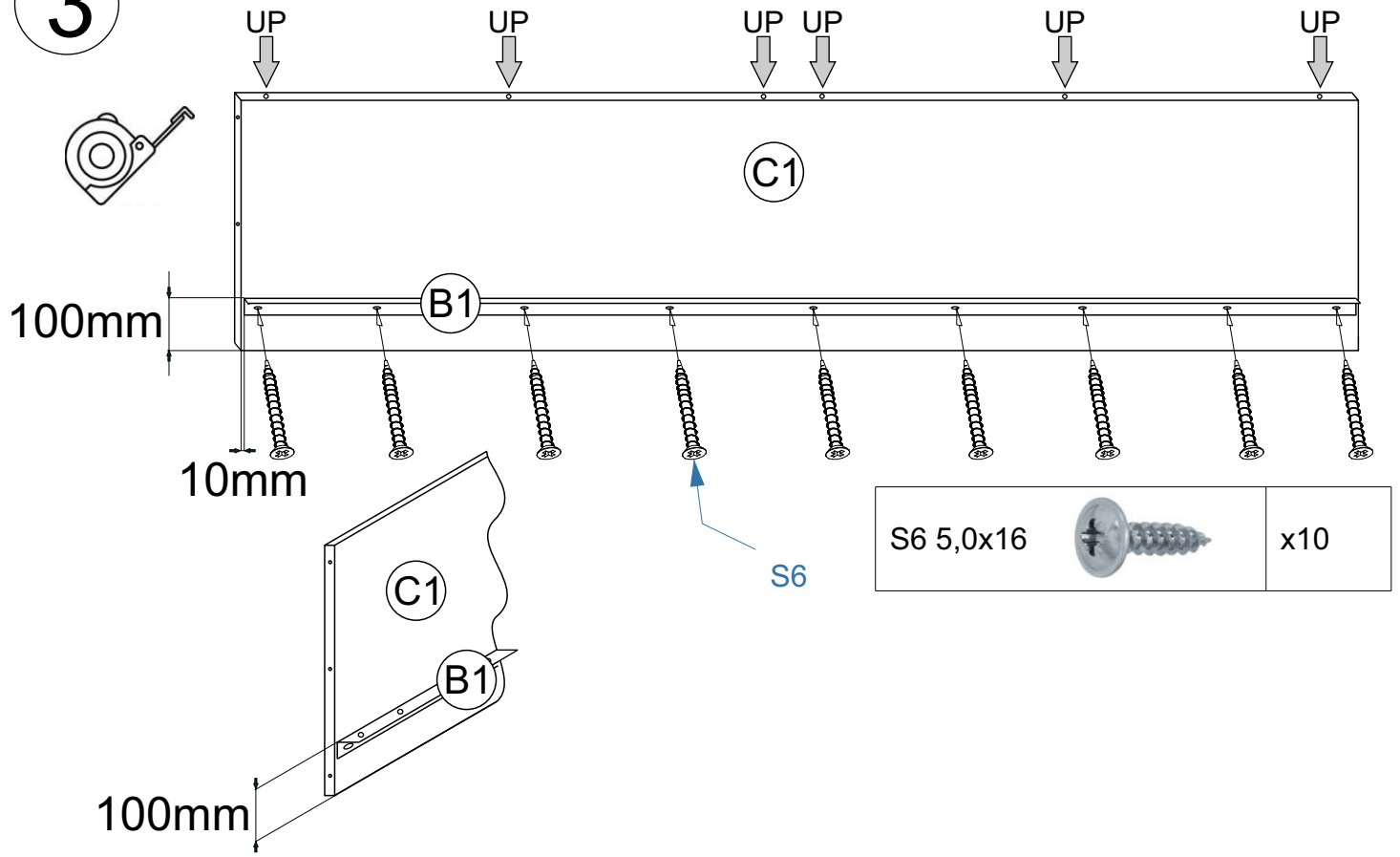


C1	2010x450	x1
C2	866x750	x1
C3	866x750	x1
C4	782x280	x1
C5	782x280	x1
C6	782x280	x1
C7	2000x366	x1
C8	2000x246	x1
C9	500x150	x4
C10	947x150	x2
C11	1019x220	x1
C12	1019x220	x1
C13	518x100	x2
C14	947x525	x2
C15	800x60	x27
C16	898x50	x2
C17	989x50	x2



B1	1990x25x25	x3
B2	2010x25	x1

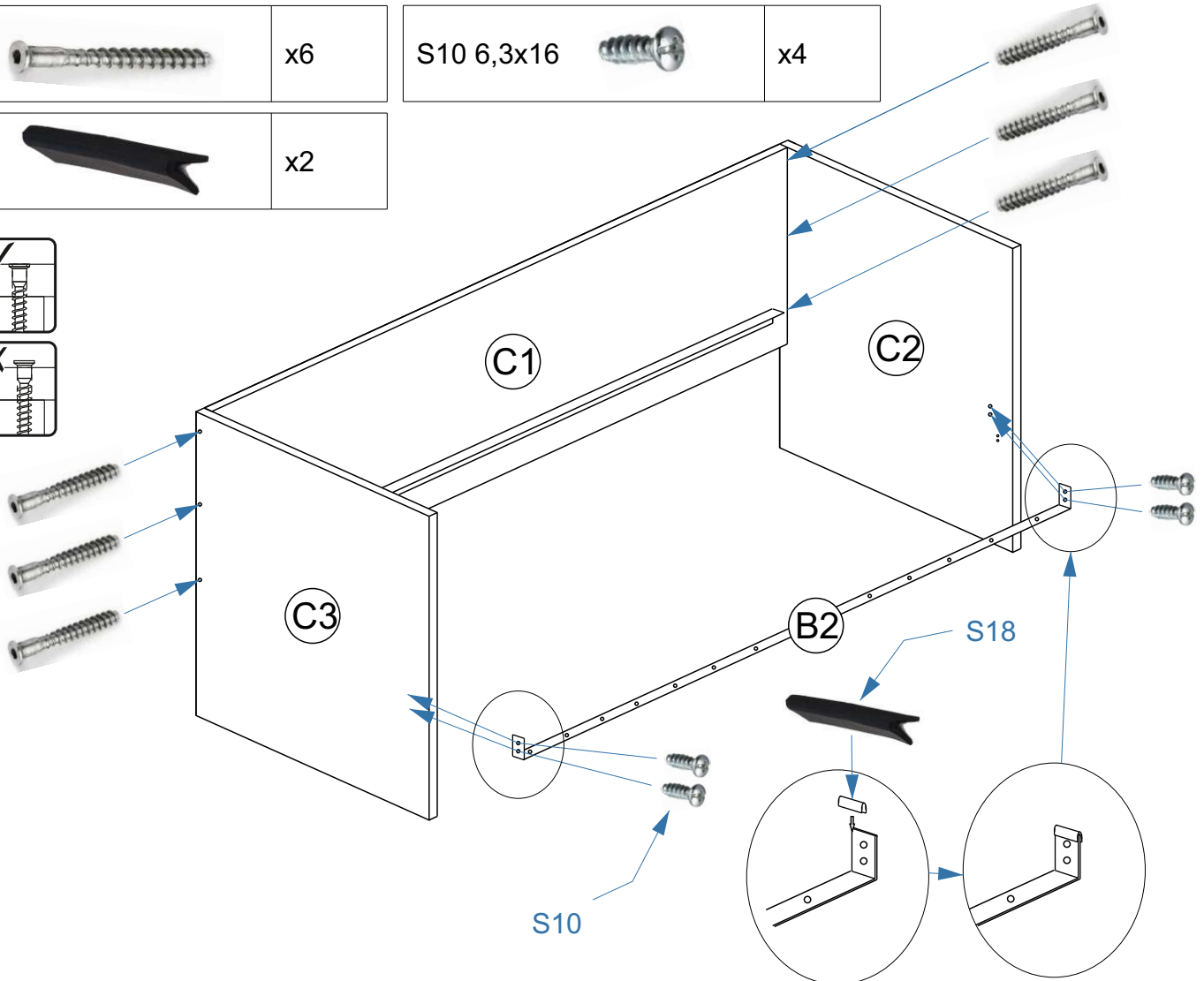
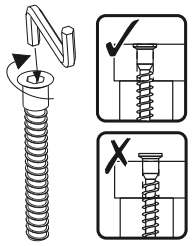
3



S1		x6
----	--	----

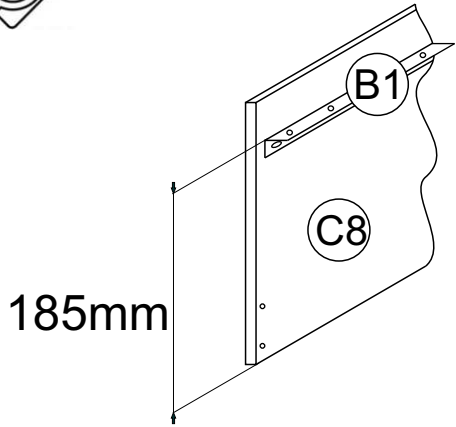
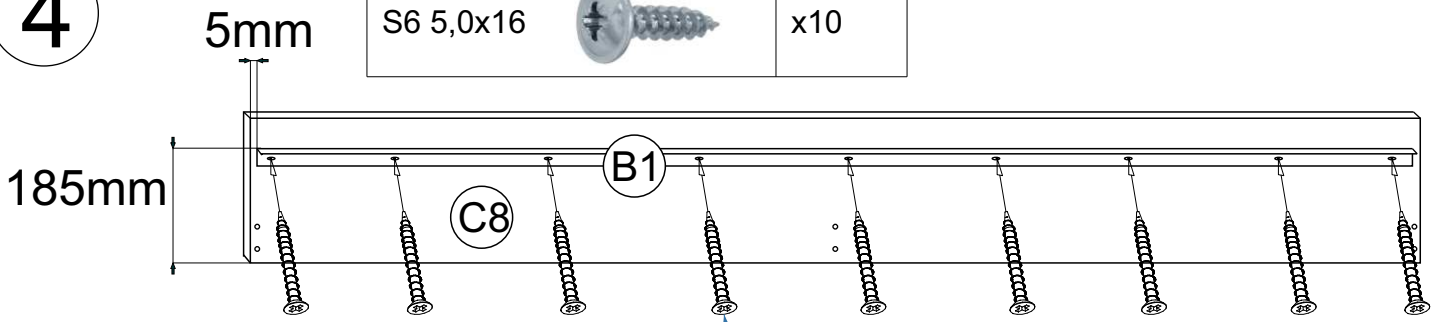
S10 6,3x16		x4
------------	--	----

S18		x2
-----	--	----

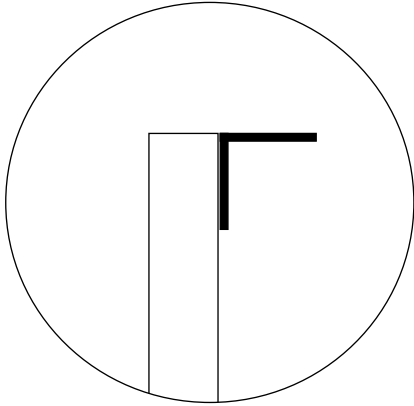
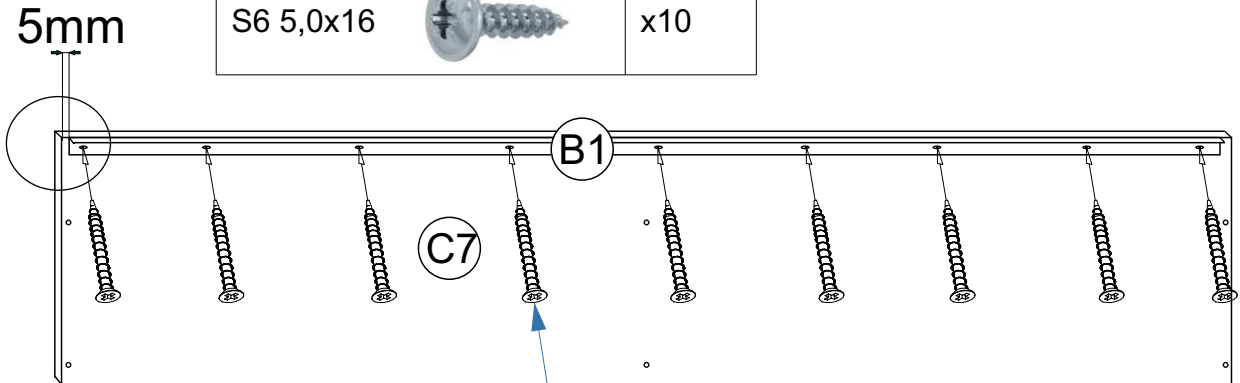


4

S6 5,0x16		x10
-----------	--	-----

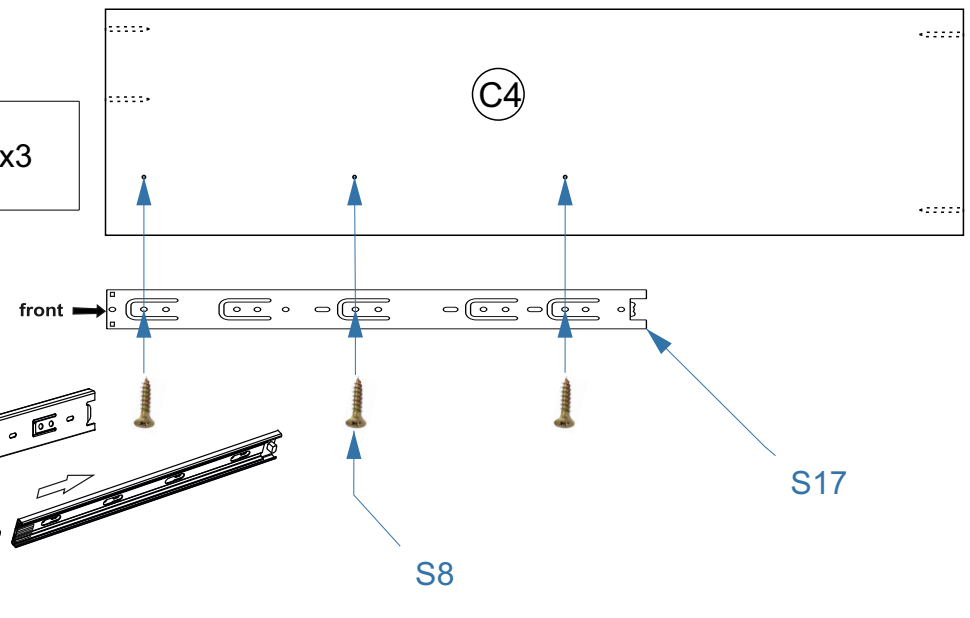
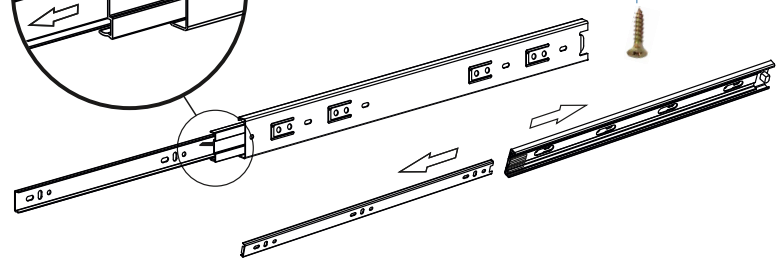
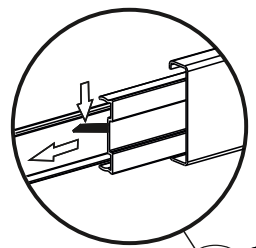



S6 5,0x16		x10
-----------	---	-----

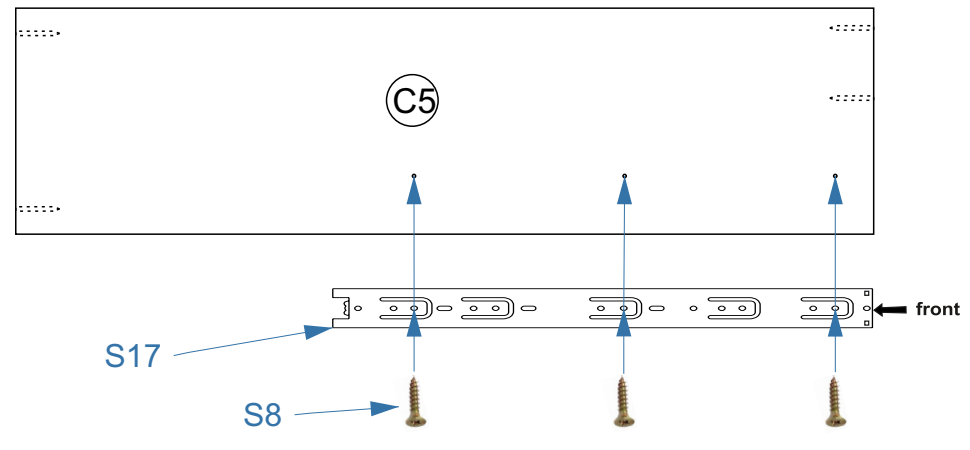



5

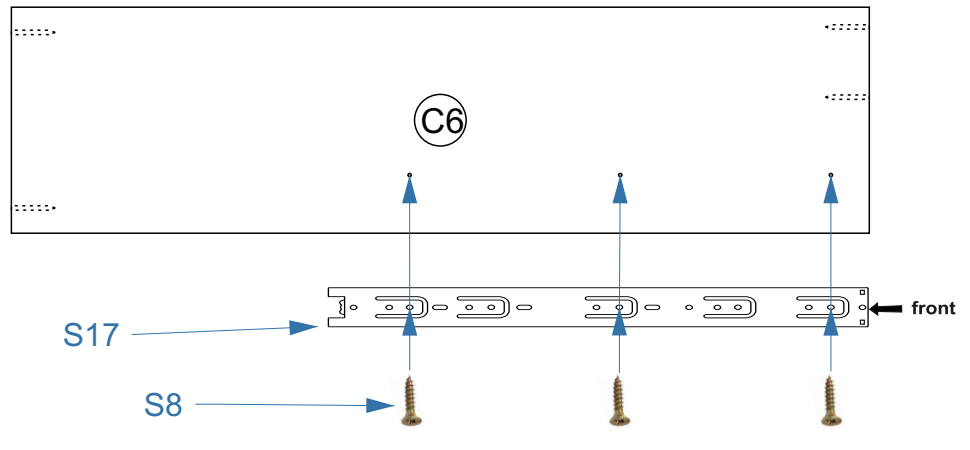
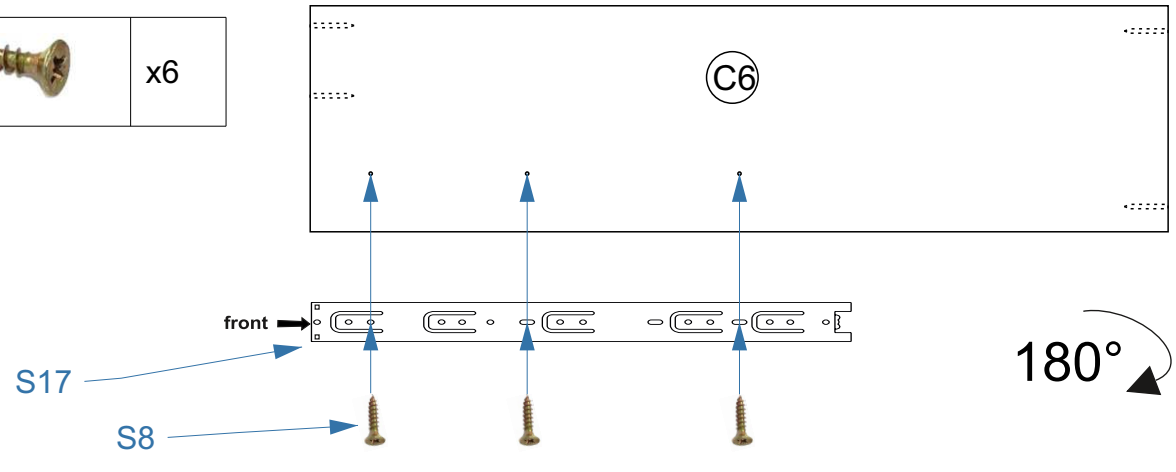
S8 3,5x16  x3



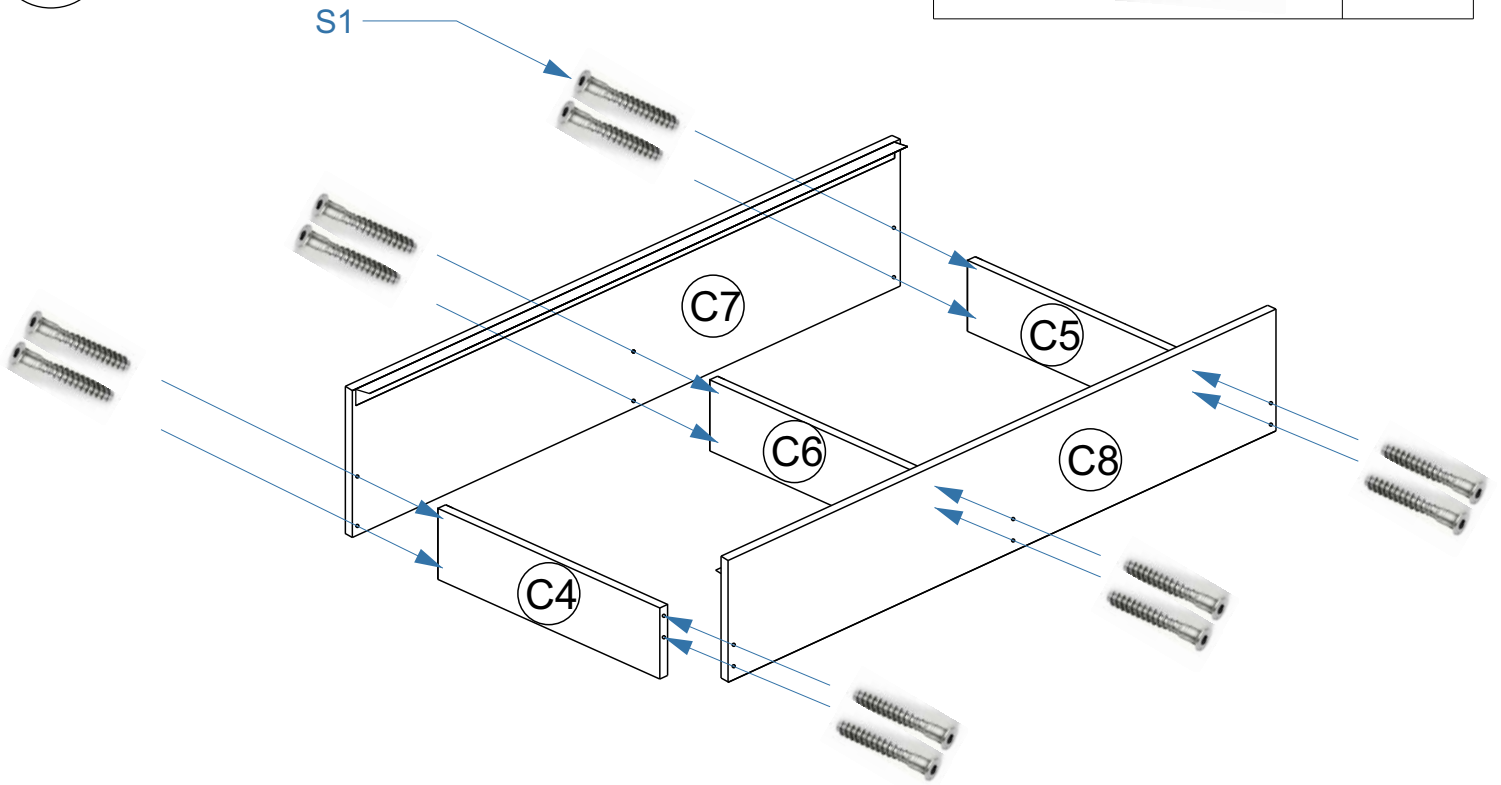
S8 3,5x16  x3



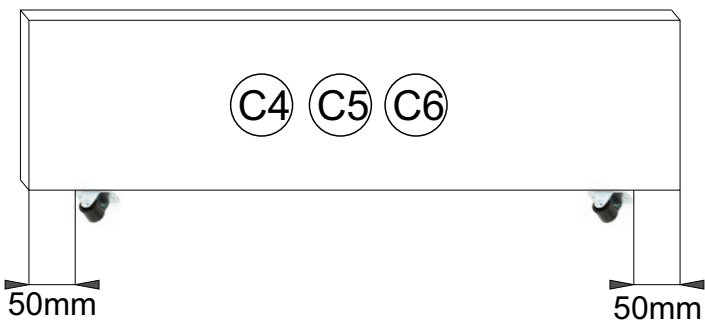
S8 3,5x16  x6



6

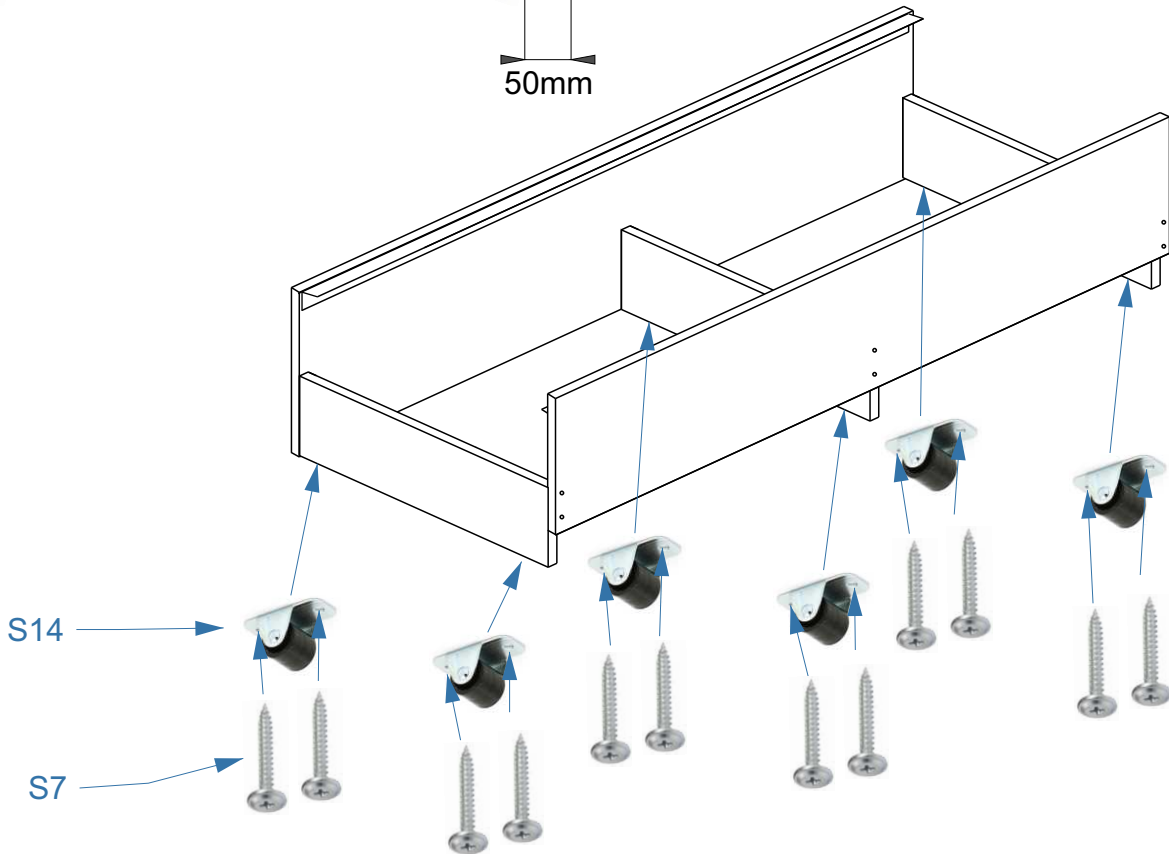


S1		x12
----	--	-----

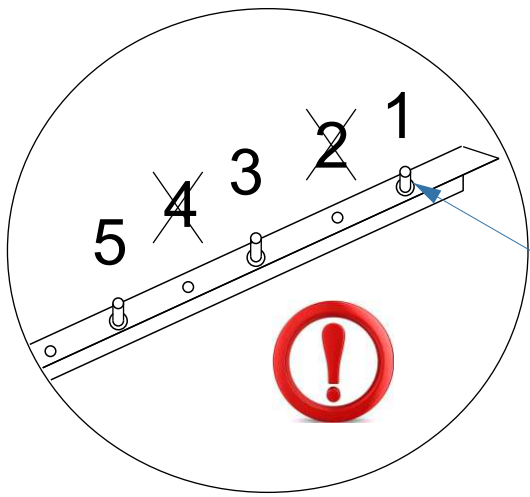


S7 3,5x20		x12
-----------	---	-----

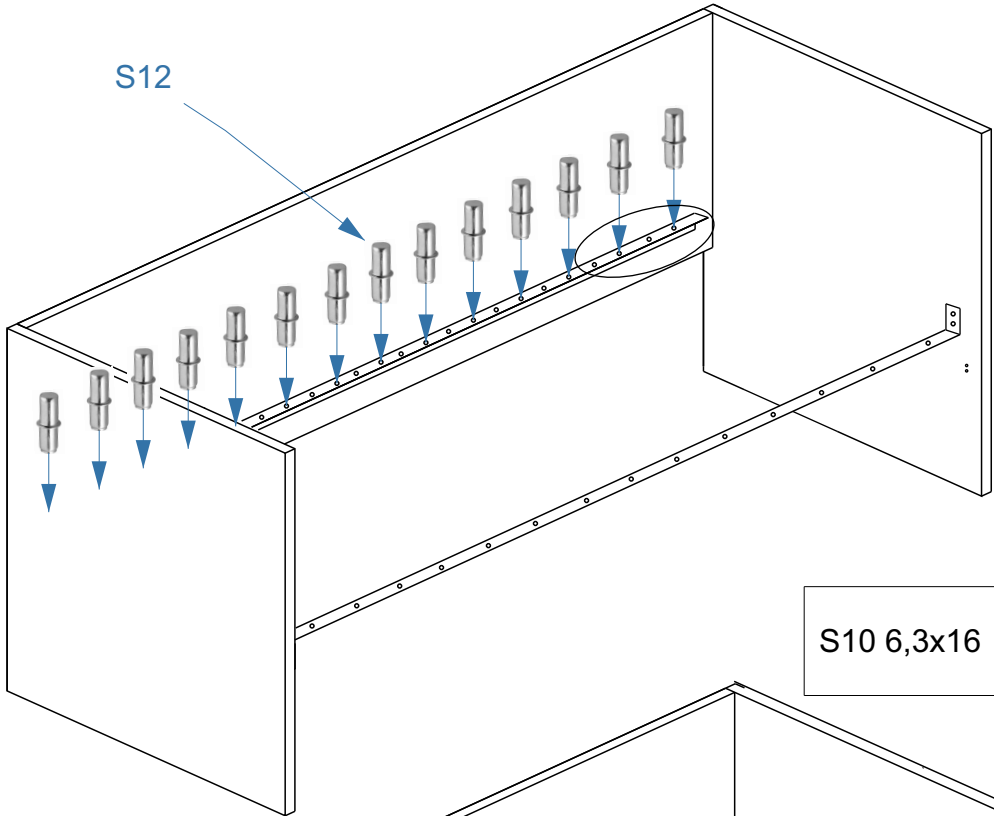
S14		x6
-----	---	----



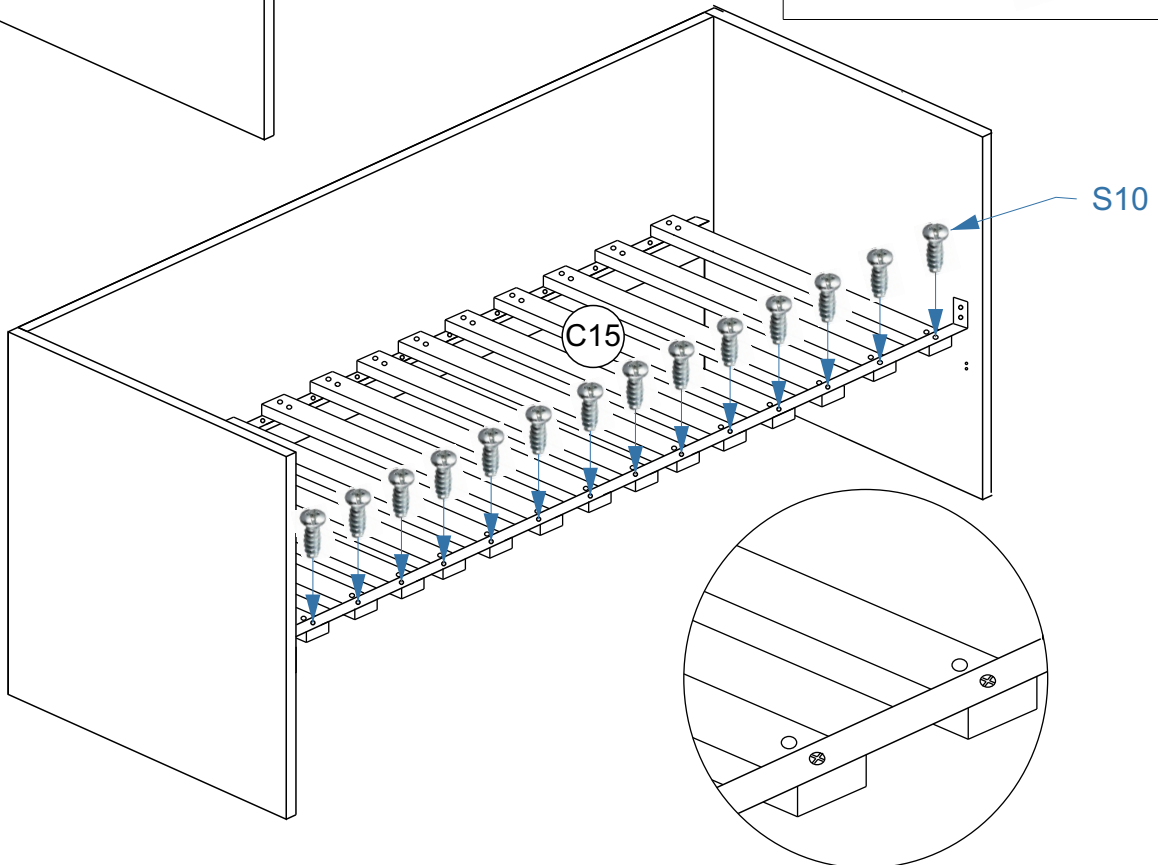
7



S12		x14
-----	---	-----

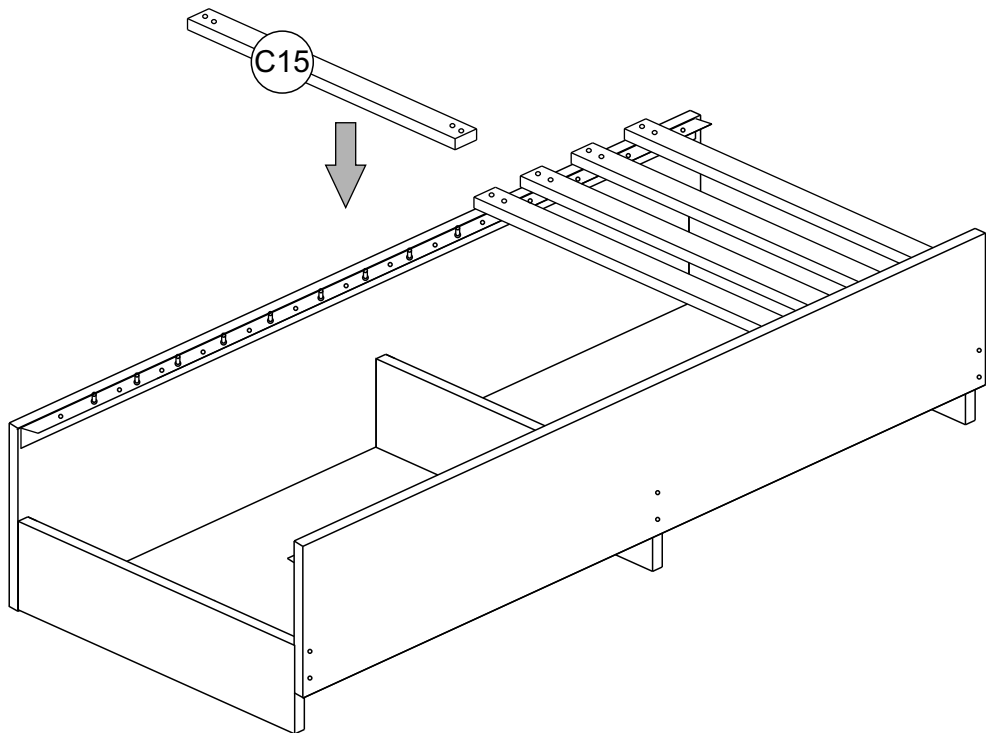
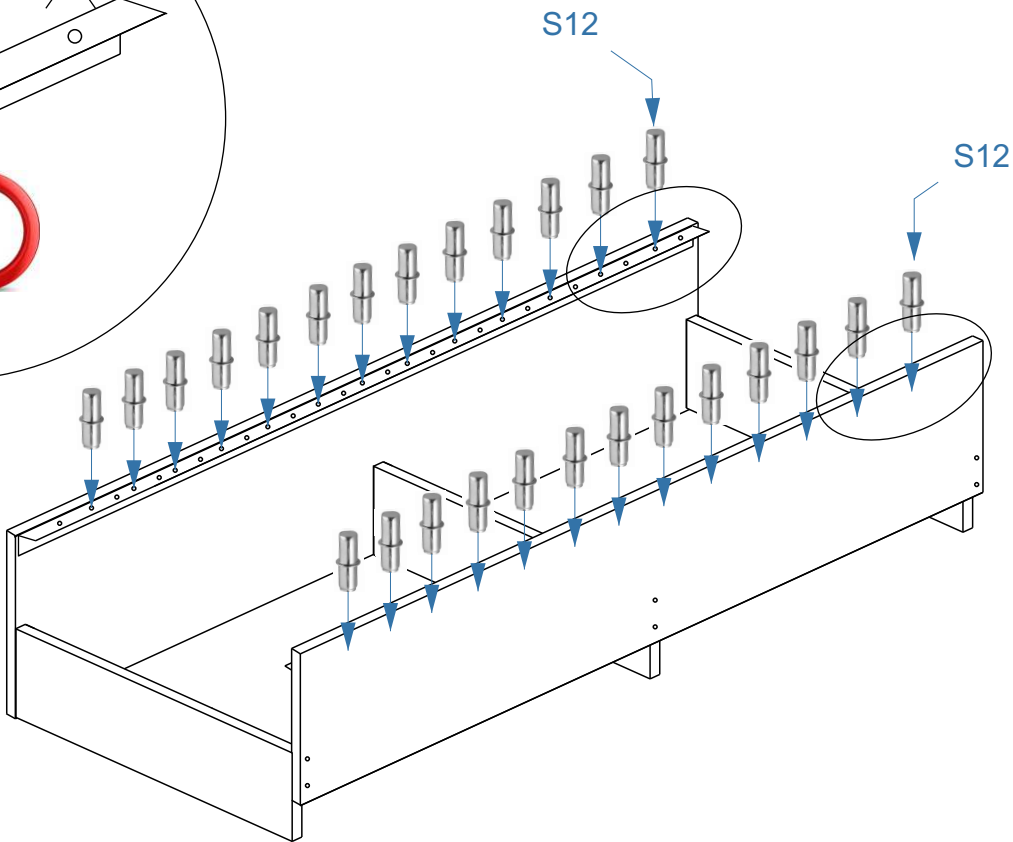
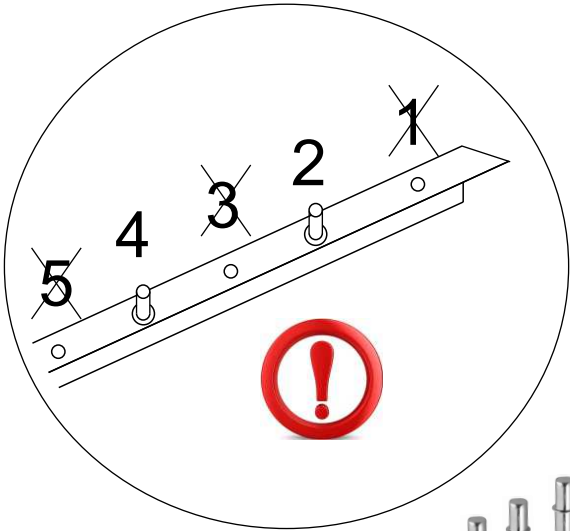


S10 6,3x16		x14
------------	---	-----



8

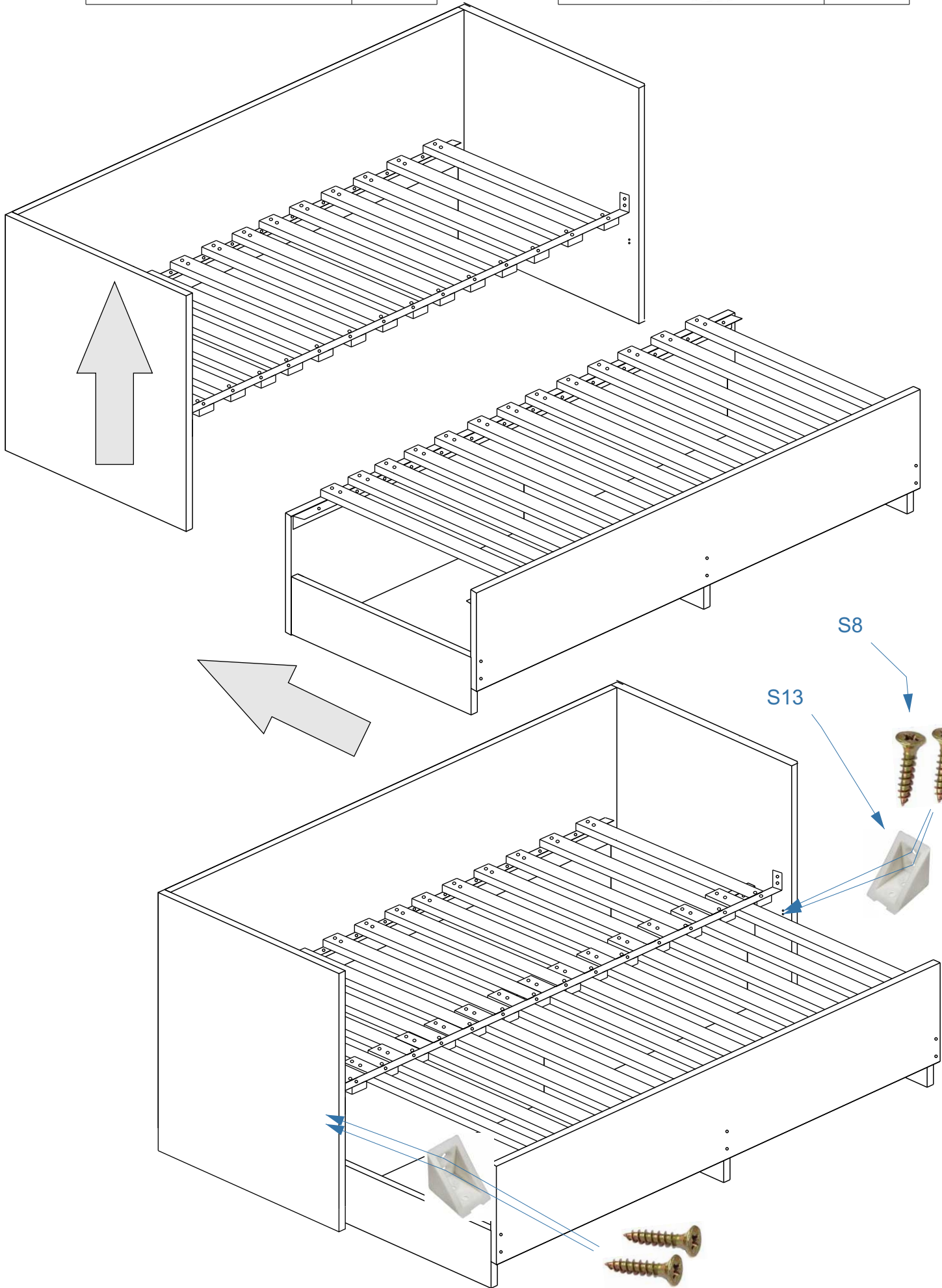
S12		x26
-----	---	-----



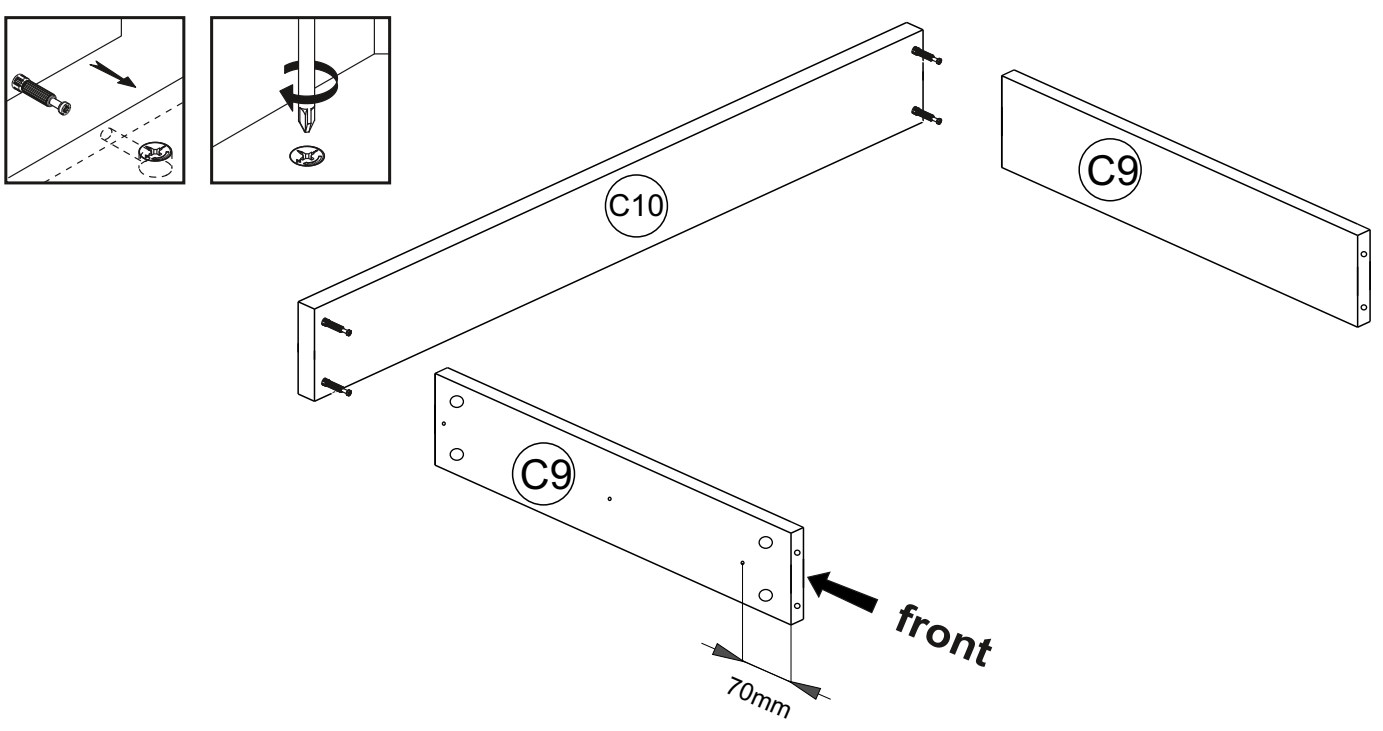
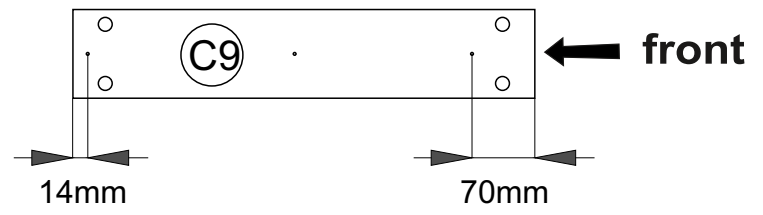
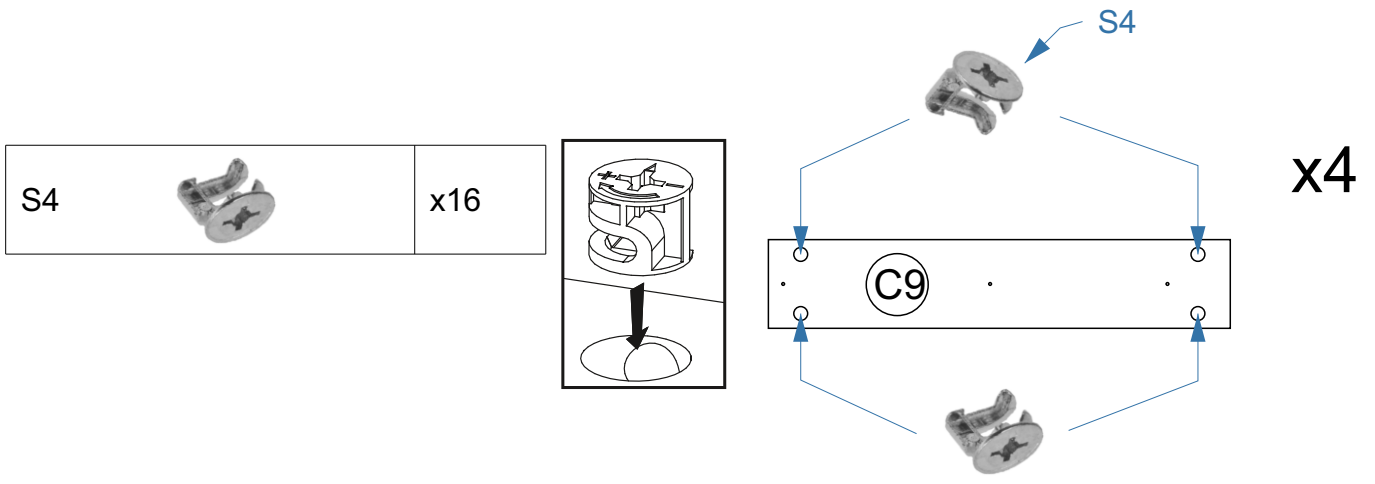
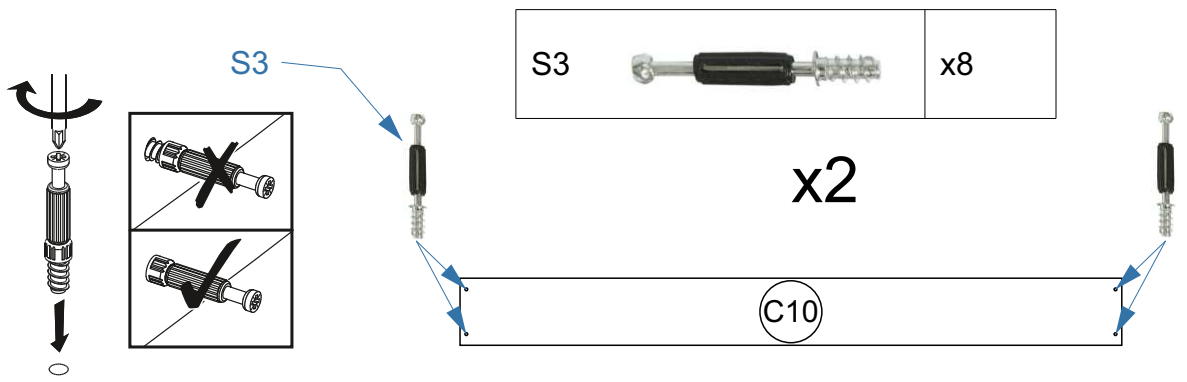
9

S8 3,5x16  x4

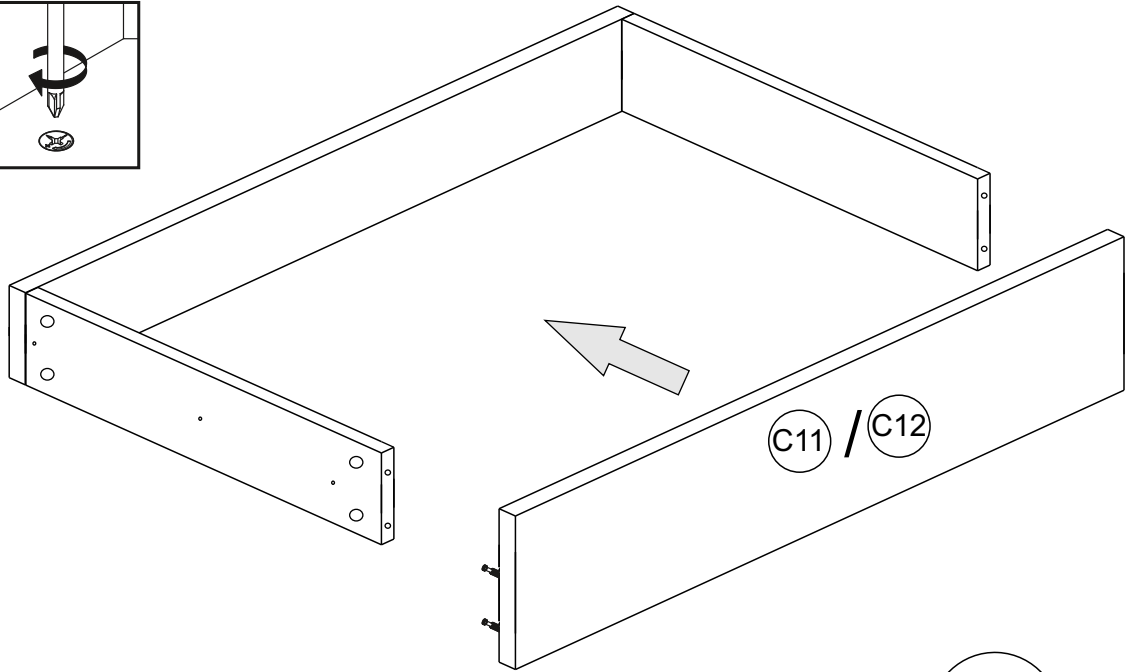
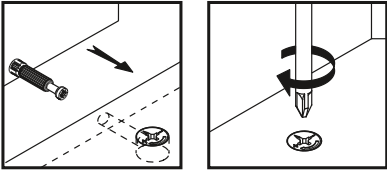
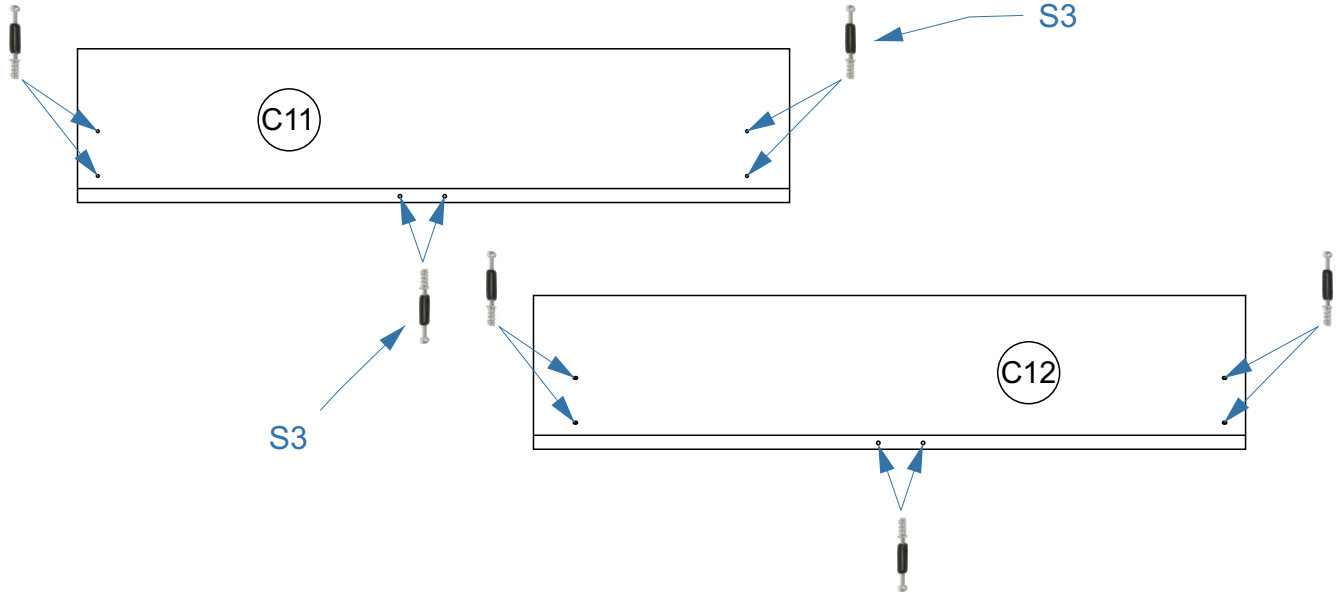
S13  x2



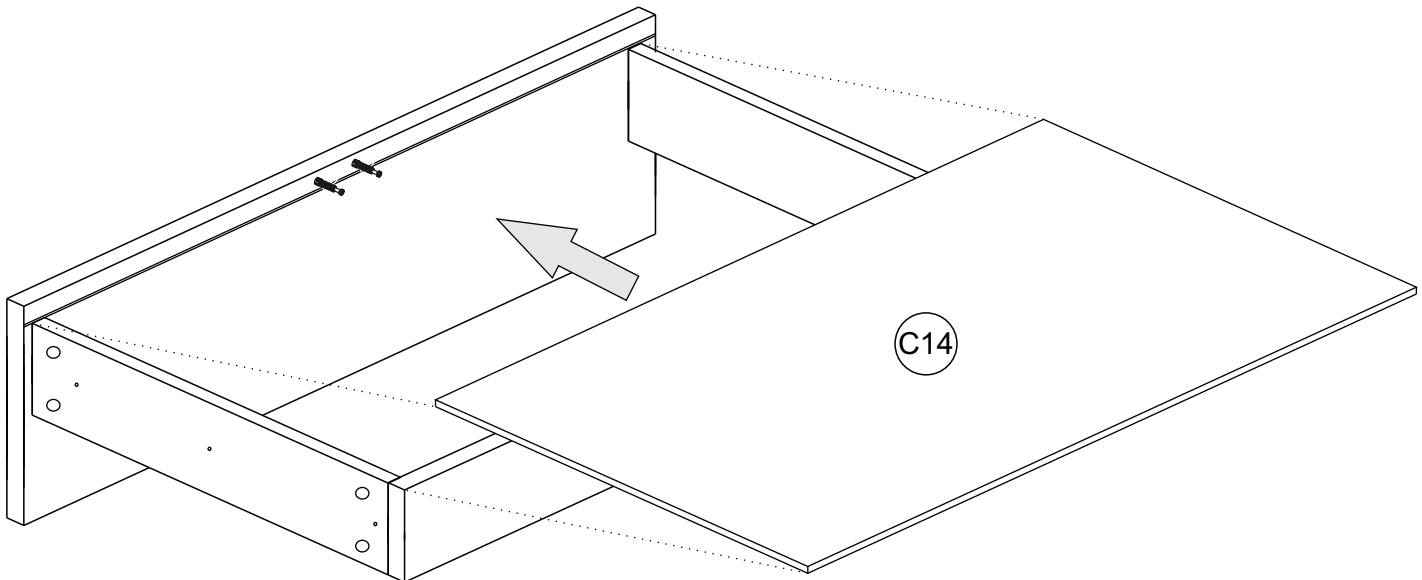
10



11

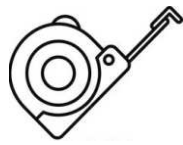


180°



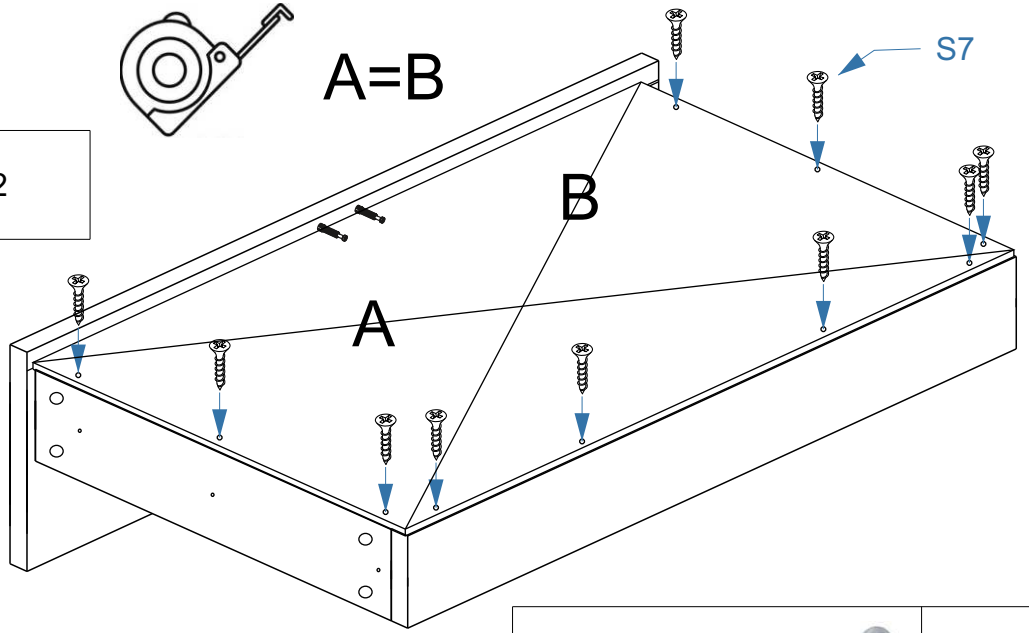
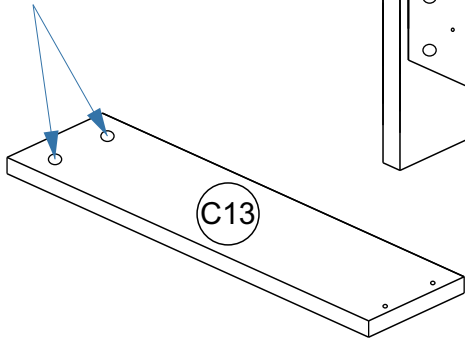
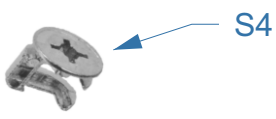
12

x2



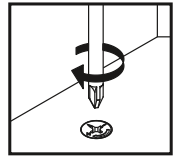
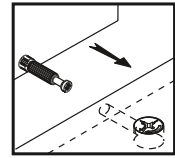
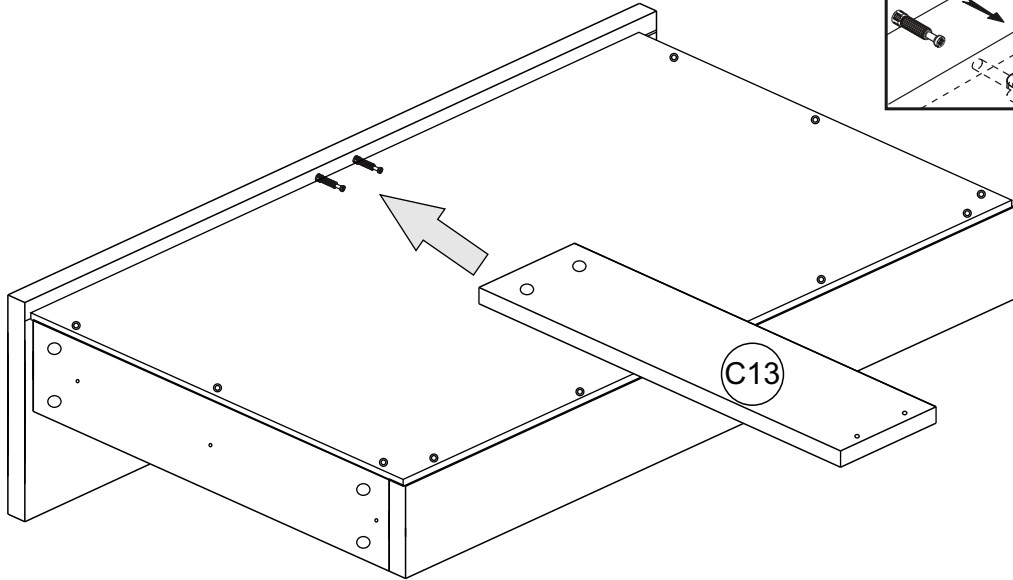
A=B

S4		x2
----	--	----



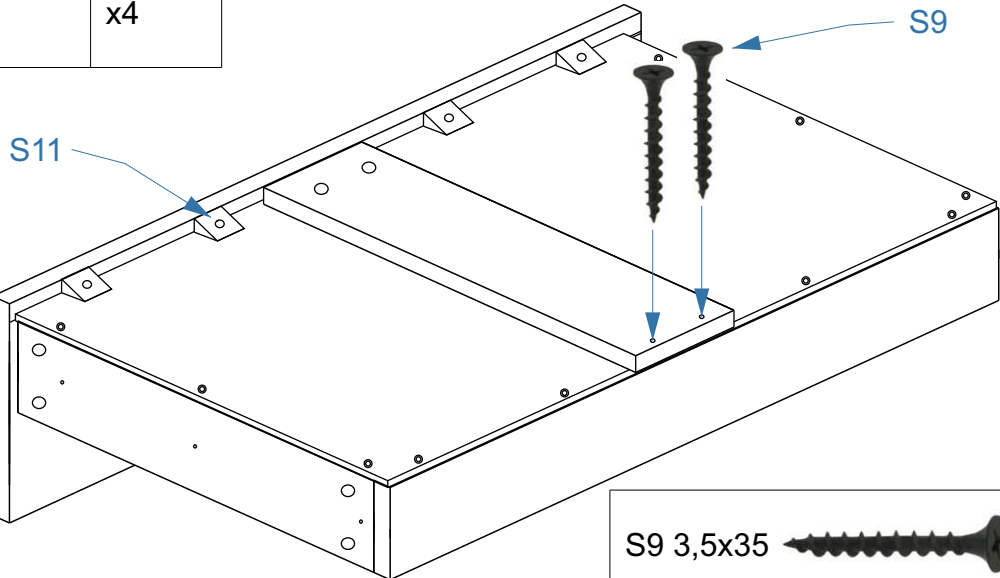
S7 3,5x20		x10
-----------	--	-----

x2



S11		x4
-----	--	----

x2



S9 3,5x35		x4
-----------	--	----

13

x2

S8 3,5x16



x6

S17

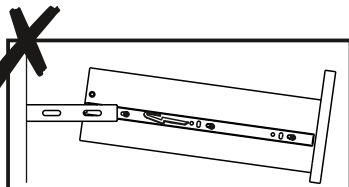
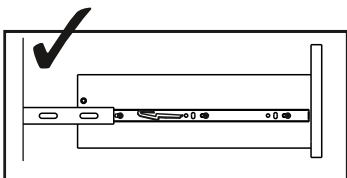
C9

front

S8

C12

C11



14



S15

