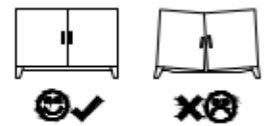
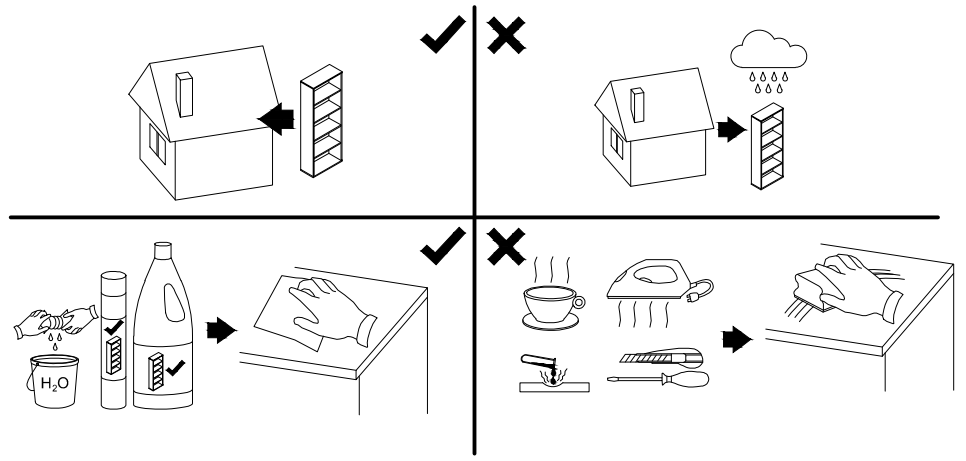
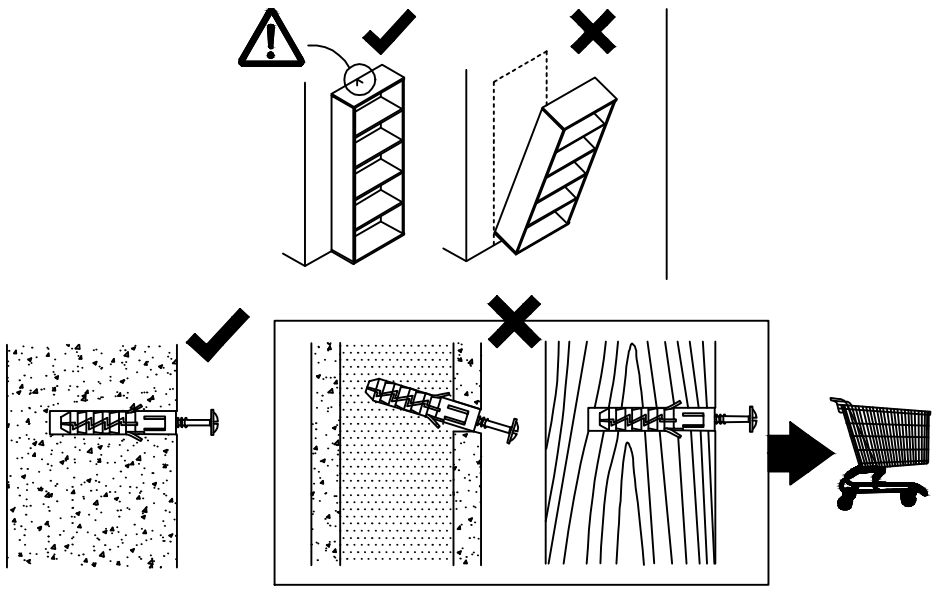


max.  $\text{KG}$  = 30 kg.

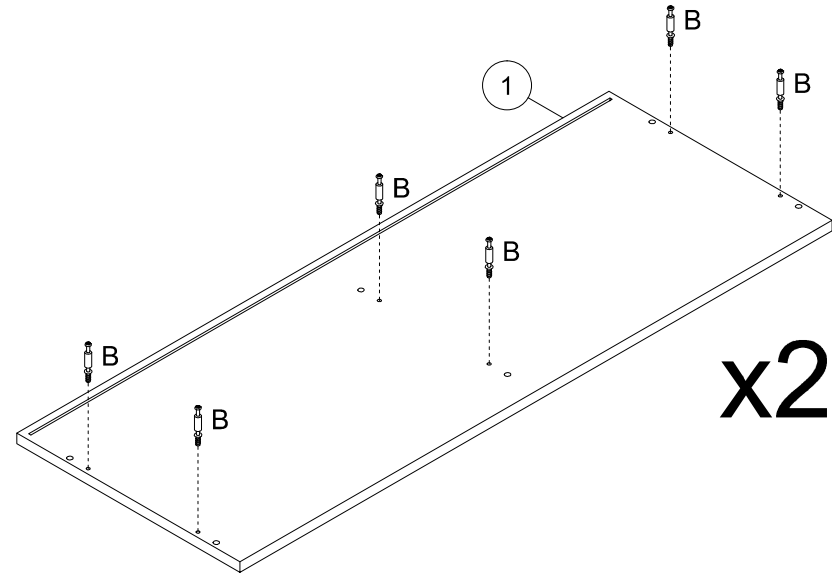
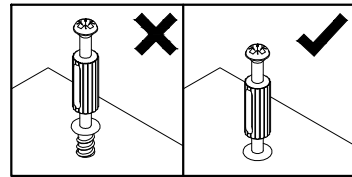


A	8x32	B	3x20	B1	3,5x16	C	4x16	M4	4x22
x12	x16	x2	x28	x4					
N	3x20	ND	3,5x16	NE	4x16	R4	L-1023mm	S	L-1023mm
x16	x17	x6	x4	x2					
TA	W+H2	X	ZK	ZZ					
x1	x8	x16	x12	x16					

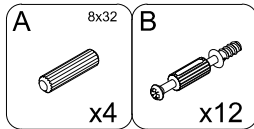
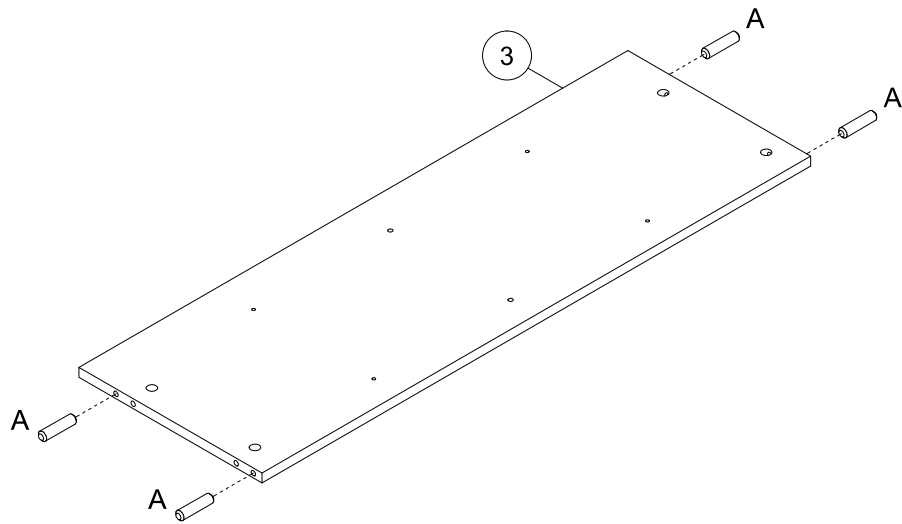
①	1035	390	16	x2	2 / 3
②	1023	390	16	x2	2 / 3
③	1023	341	16	x1	2 / 3
④	493	341	16	x2	3 / 3
⑤	491	335	16	x4	3 / 3
⑥	507	496	16	x4	3 / 3
⑦	1035	338	2.5	x2	2 / 3
⑧	1035	338	2.5	x1	2 / 3



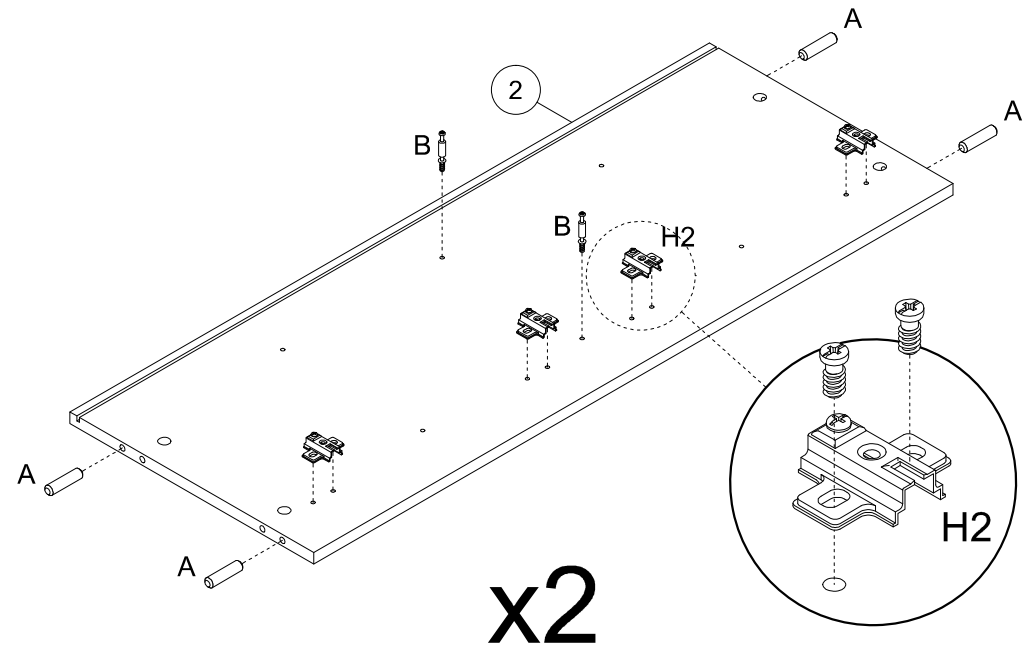
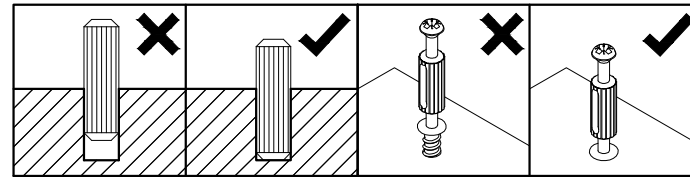
1



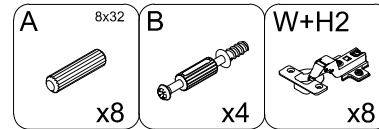
x2

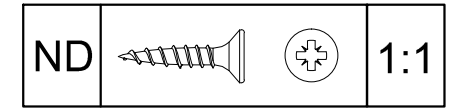
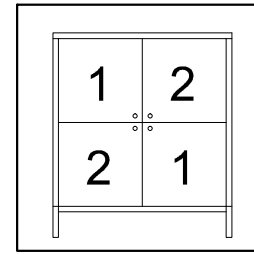
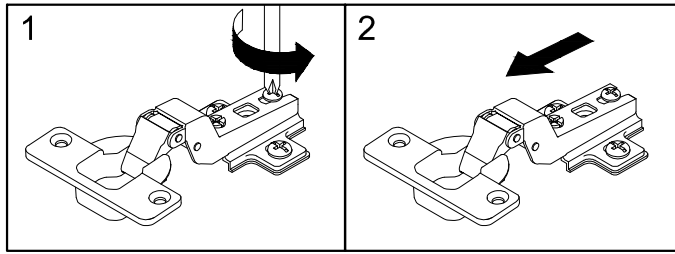
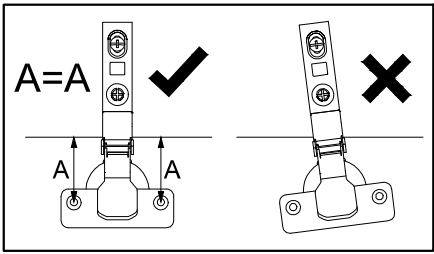


2

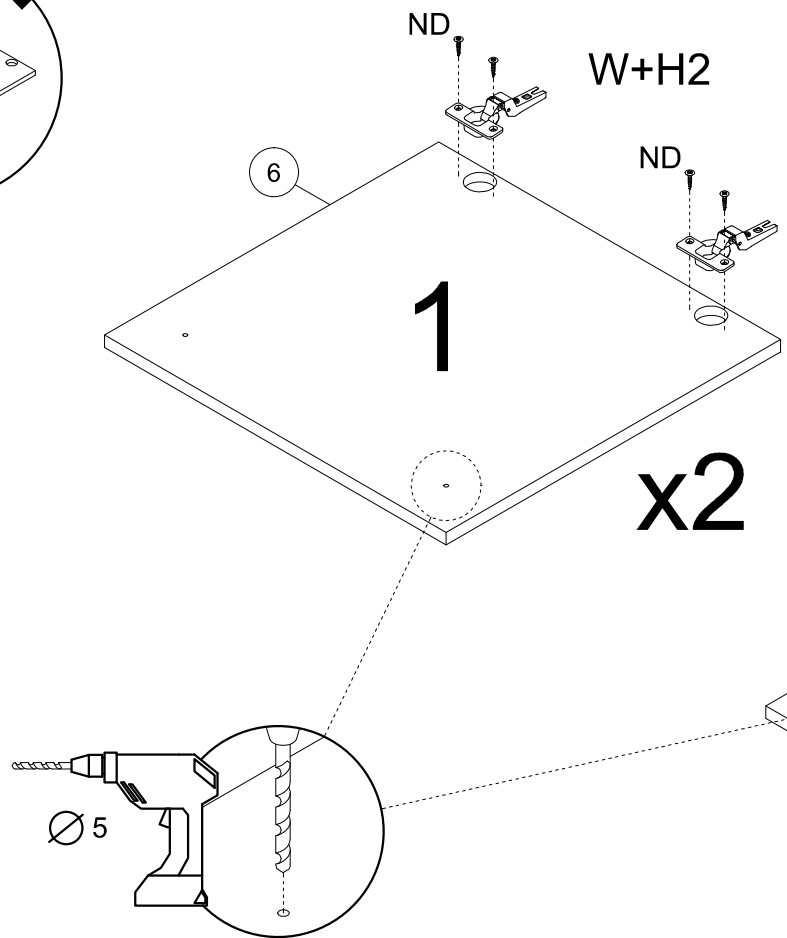
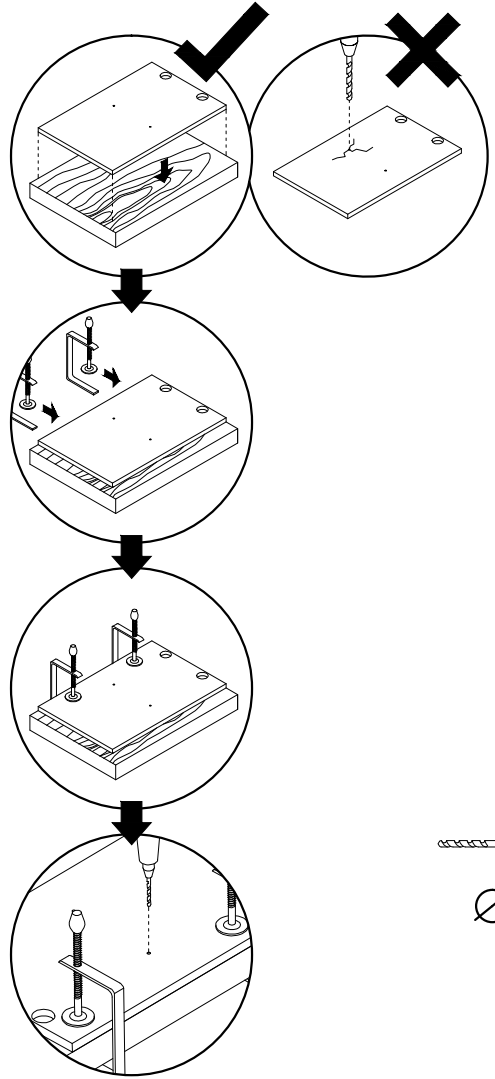


x2

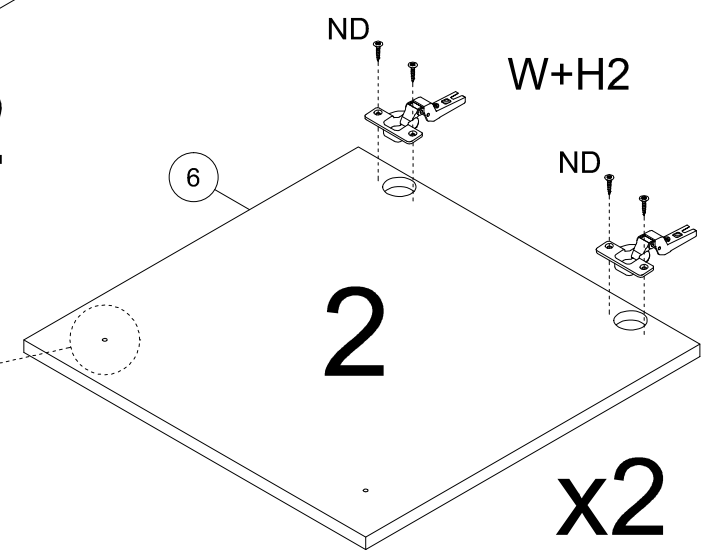




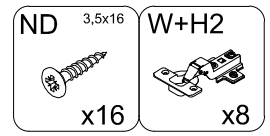
3



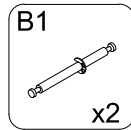
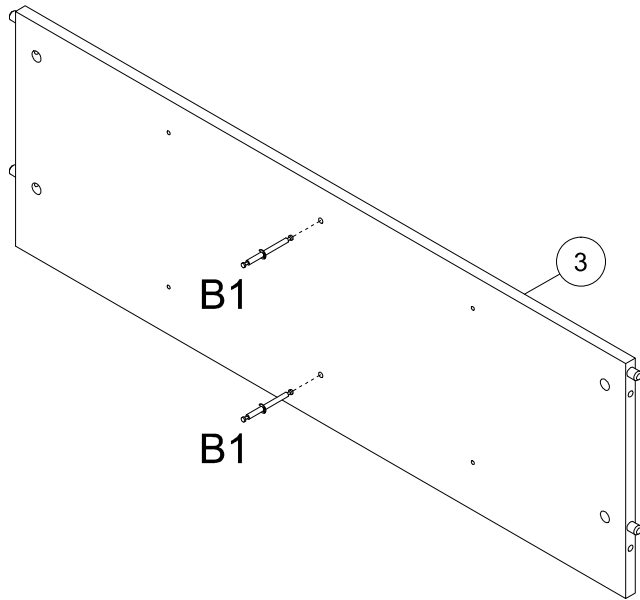
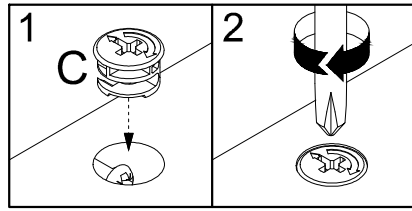
x2



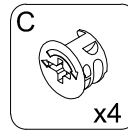
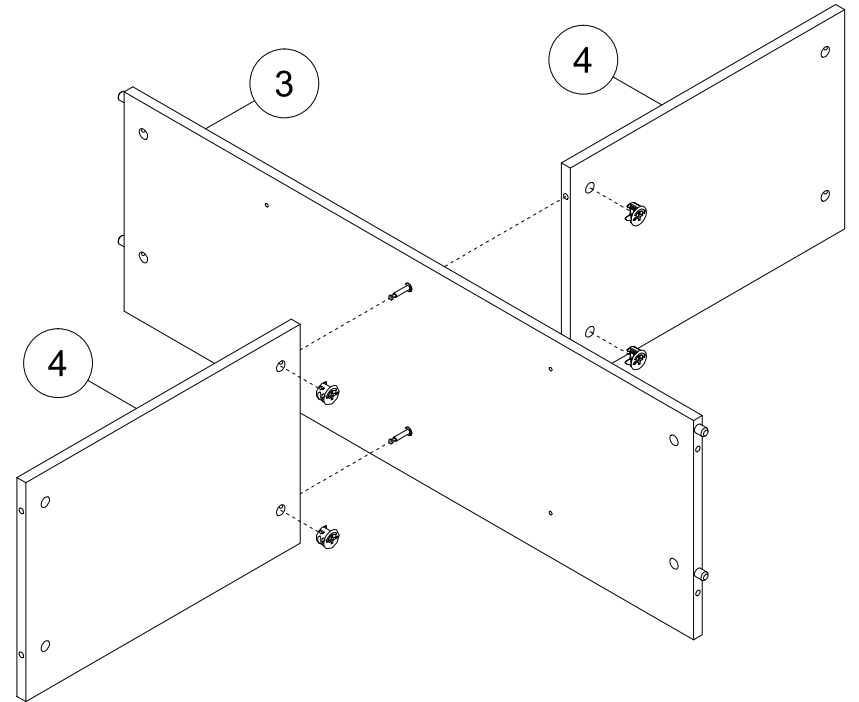
x2



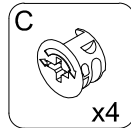
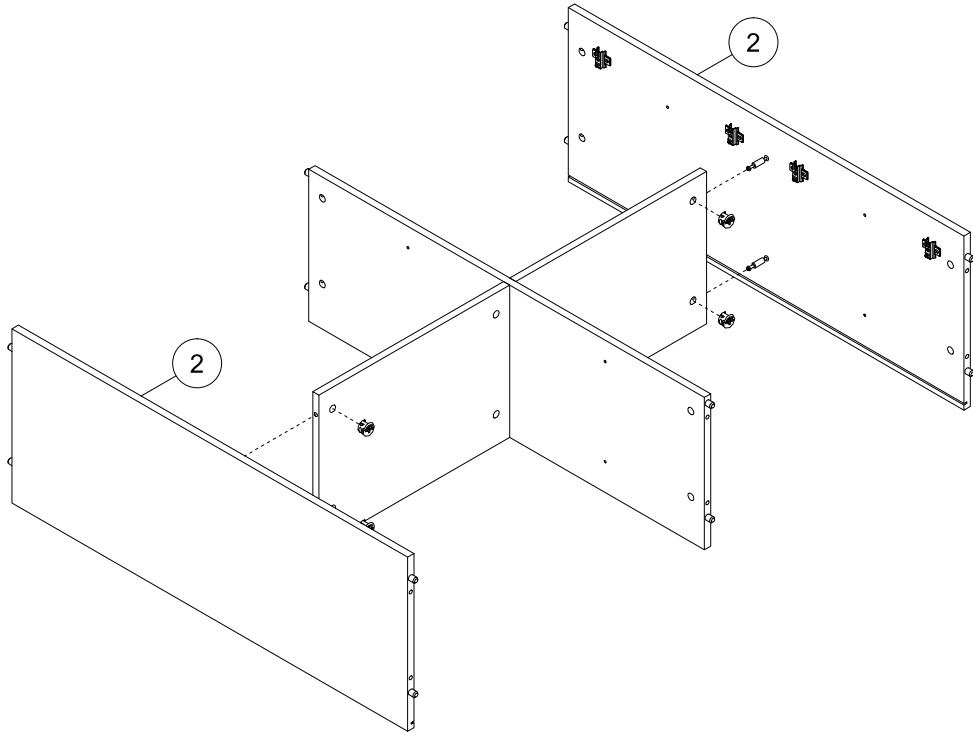
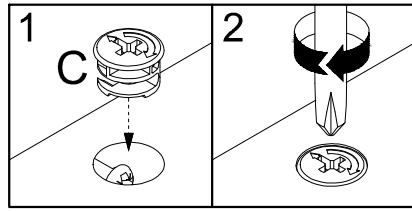
4



5



6



7

