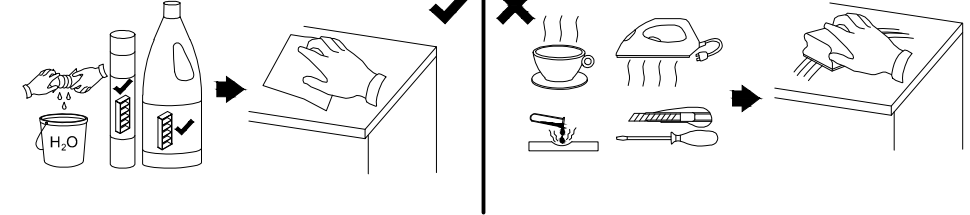
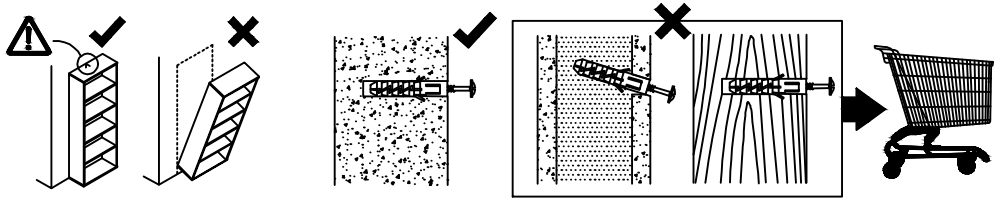
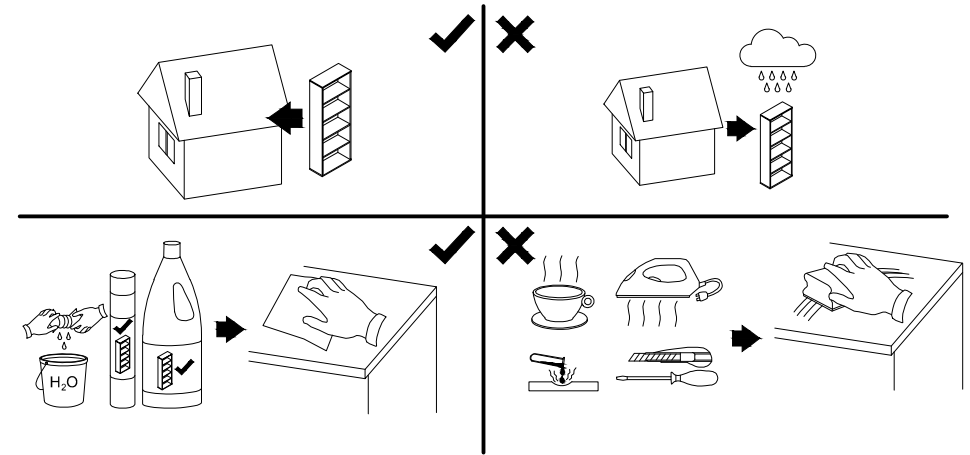
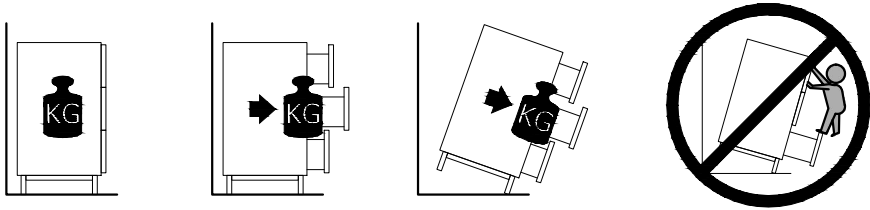
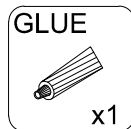
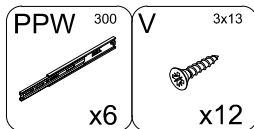
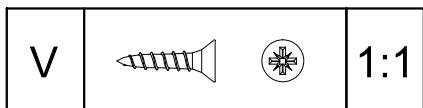
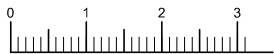
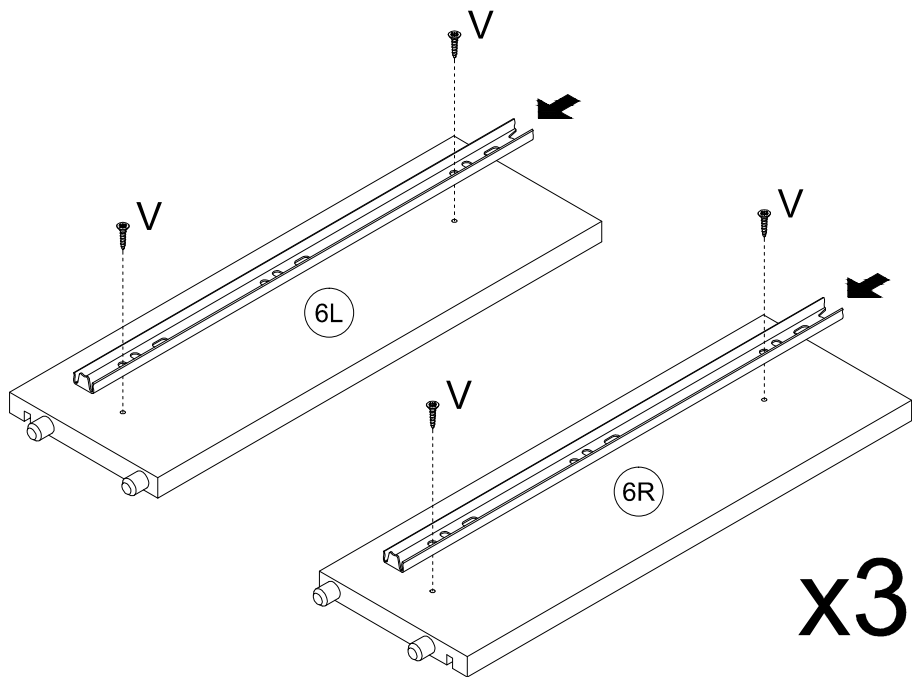
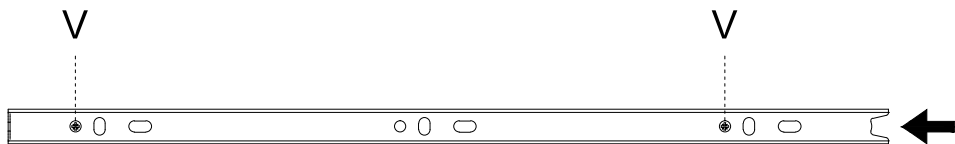
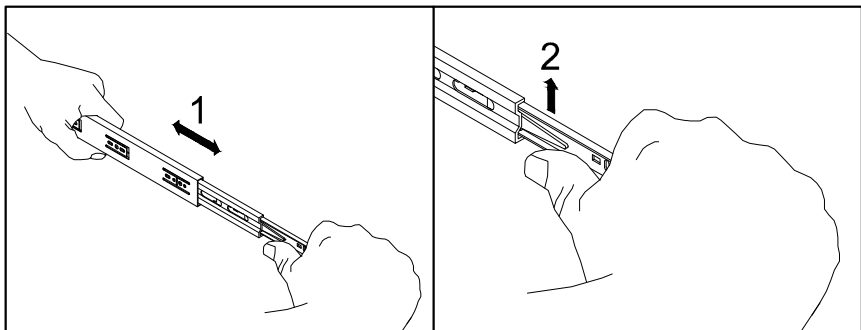


A	8x32	B	x16	C	x16	DY	H-10mm	x4	
GLUE	x2	N	3x20	ND	3,5x16	NE	4x16	M4	4x22
PPW	300	P1/2+H0	x2	R4	x6	TA	x1	W+H2	x4
V	3x13	X	x16	ZC	x10	ZK	x8	ZZ	x12

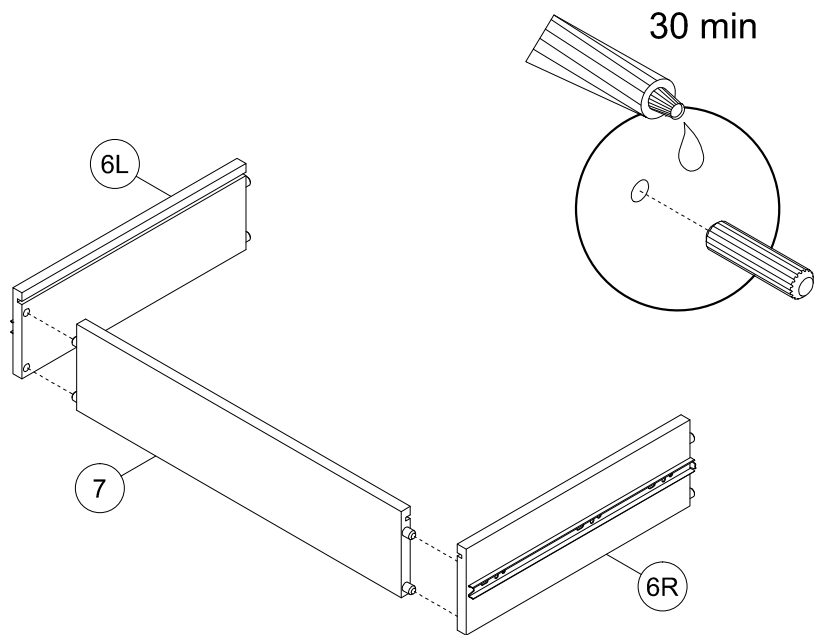
1	1534	390	16	x2	2 / 3
2L	600	390	16	x1	2 / 3
2R	600	390	16	x1	2 / 3
3L	600	341	16	x1	2 / 3
3R	600	341	16	x1	2 / 3
4	491	335	16	x2	2 / 3
5	481	335	16	x1	2 / 3
6L	300	100	12	x3	3 / 3
6R	300	100	12	x3	3 / 3
7	435	100	12	x3	3 / 3
8	444	298	2.5	x3	3 / 3
9	496	165	16	x3	3 / 3
10	496	426	16	x3	3 / 3
11	612	506	2.5	x2	3 / 3
12	612	497	2.5	x1	3 / 3



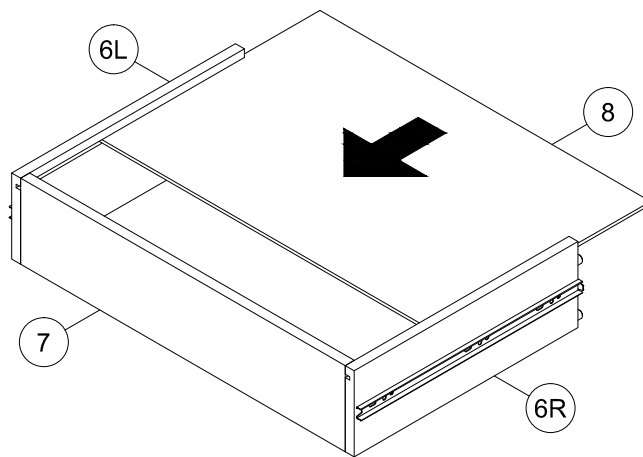
1



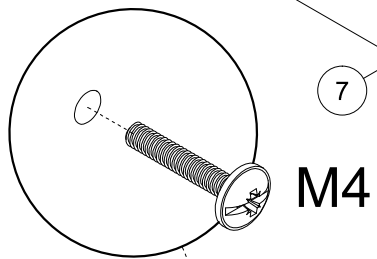
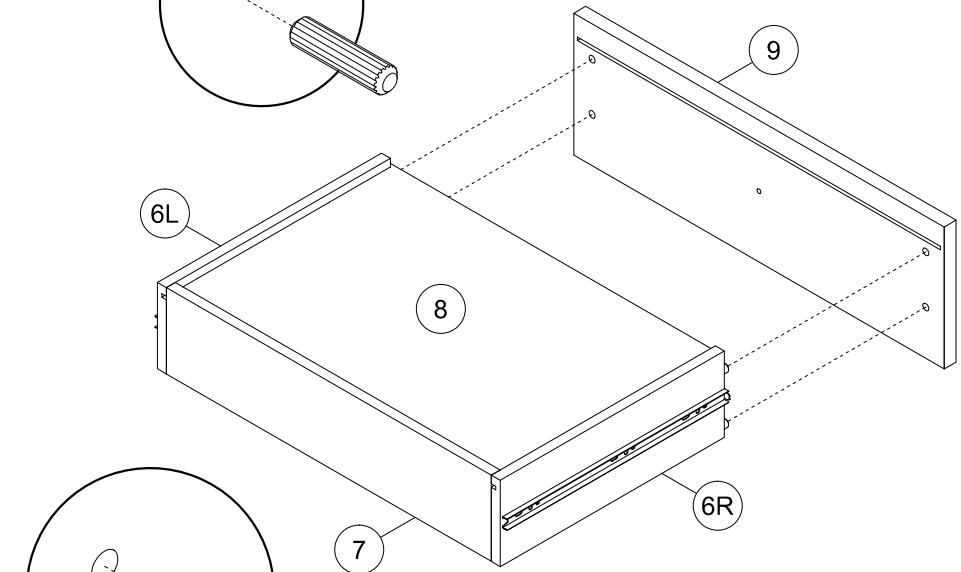
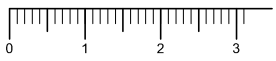
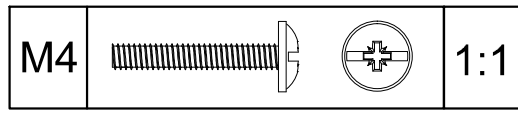
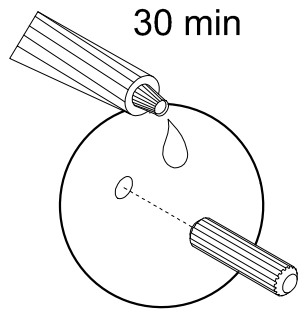
2



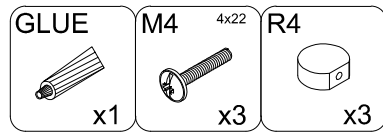
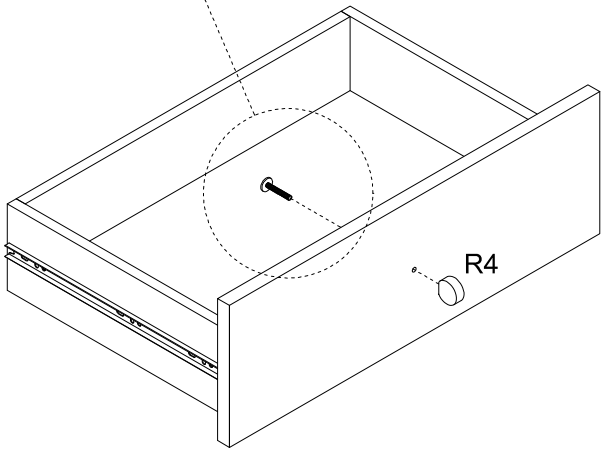
x3



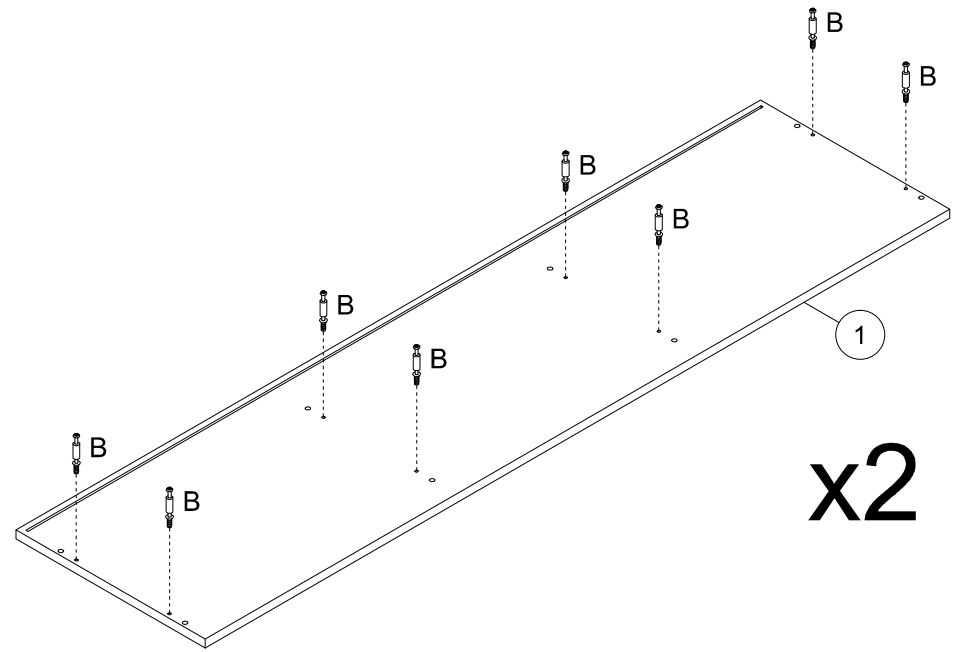
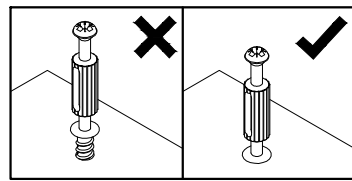
3



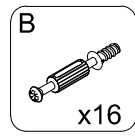
x3



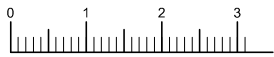
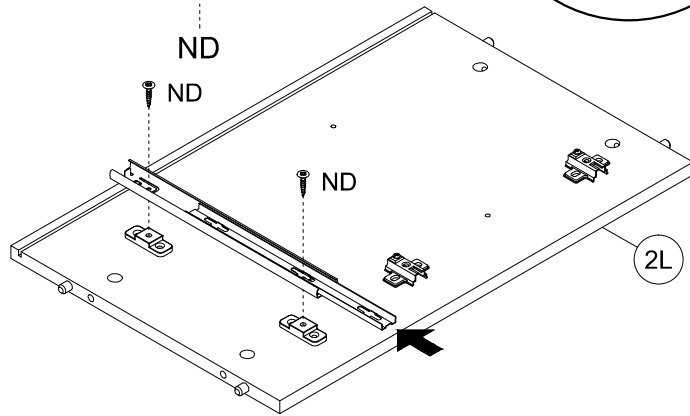
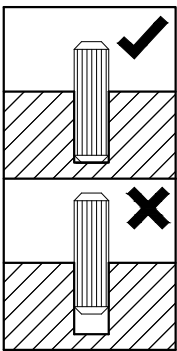
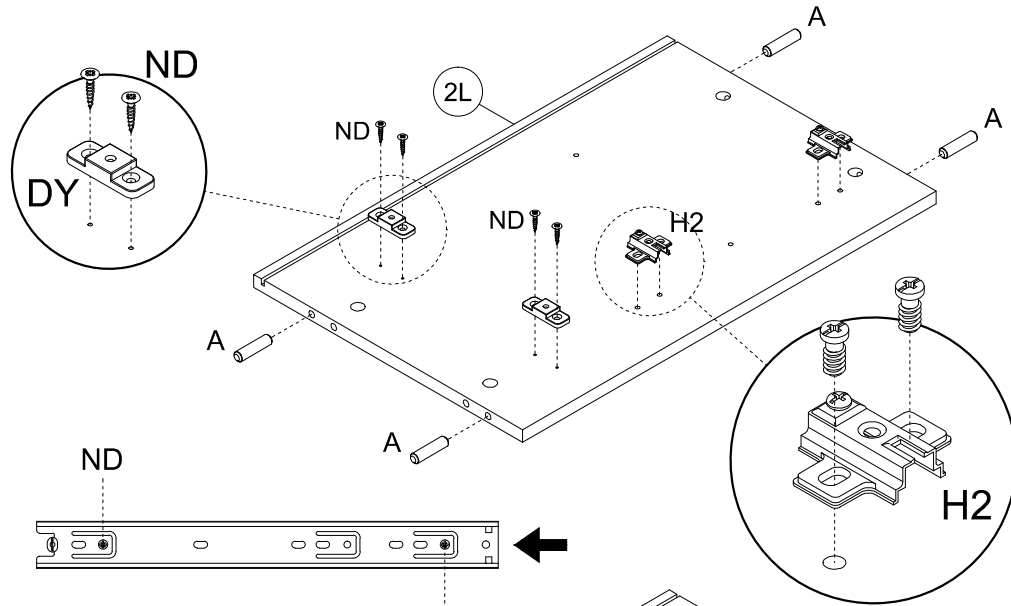
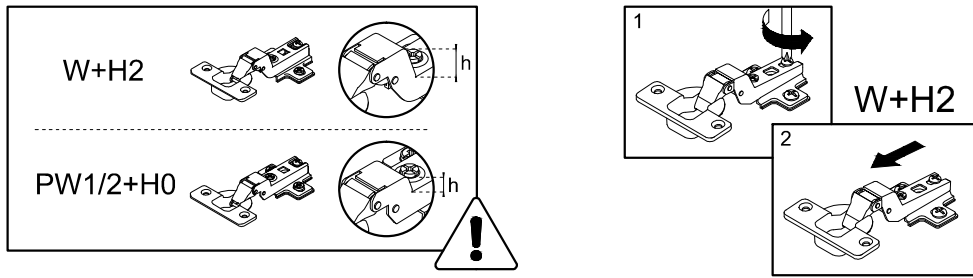
4



x2

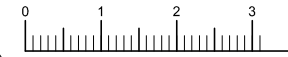
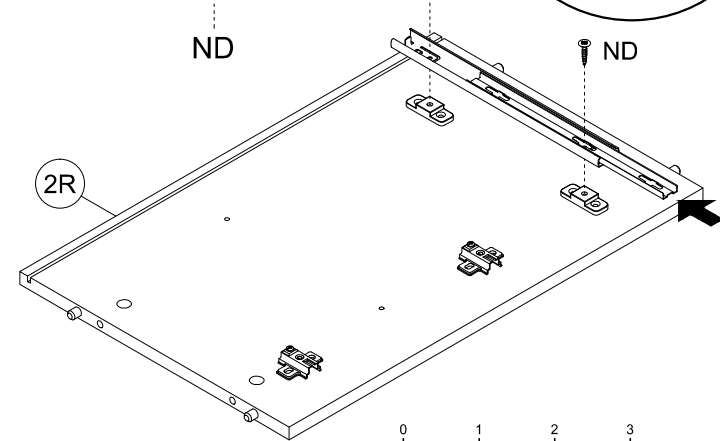
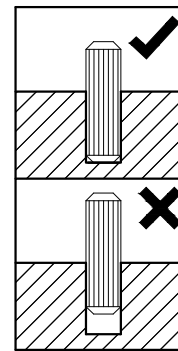
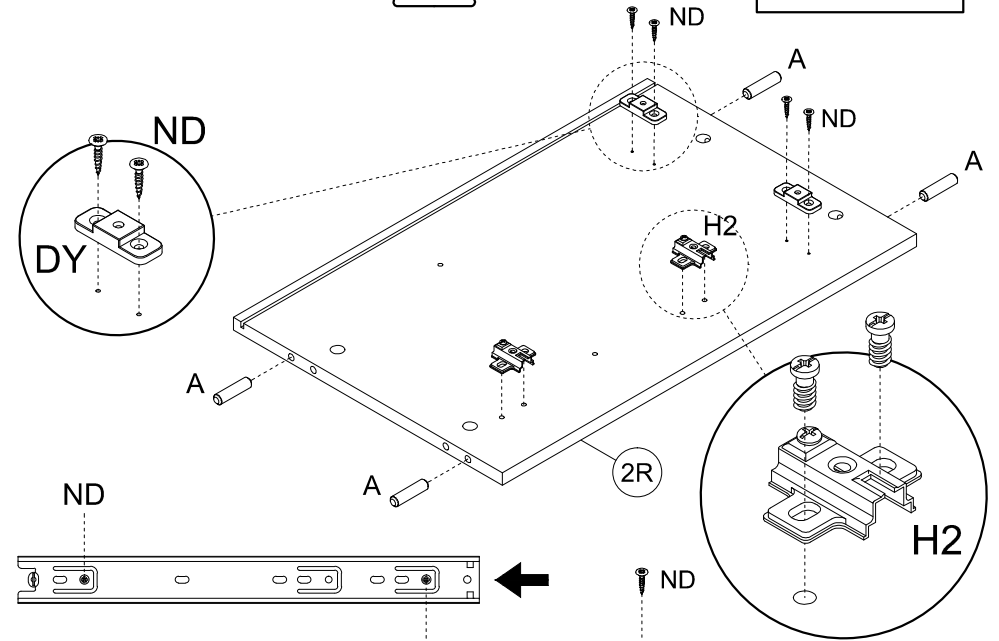
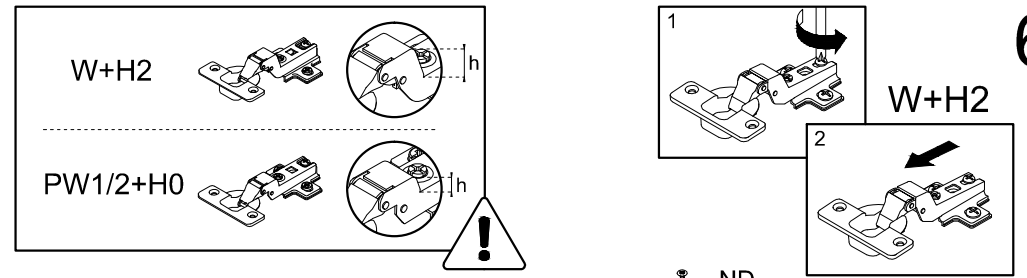


5

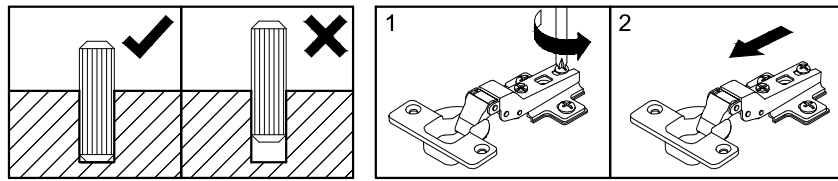


ND			1:1
A	8x32	DY	H-10mm
	x4		x2
ND	3,5x16	PPW	300
	x6		x1
W+H2			
			x2

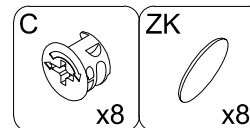
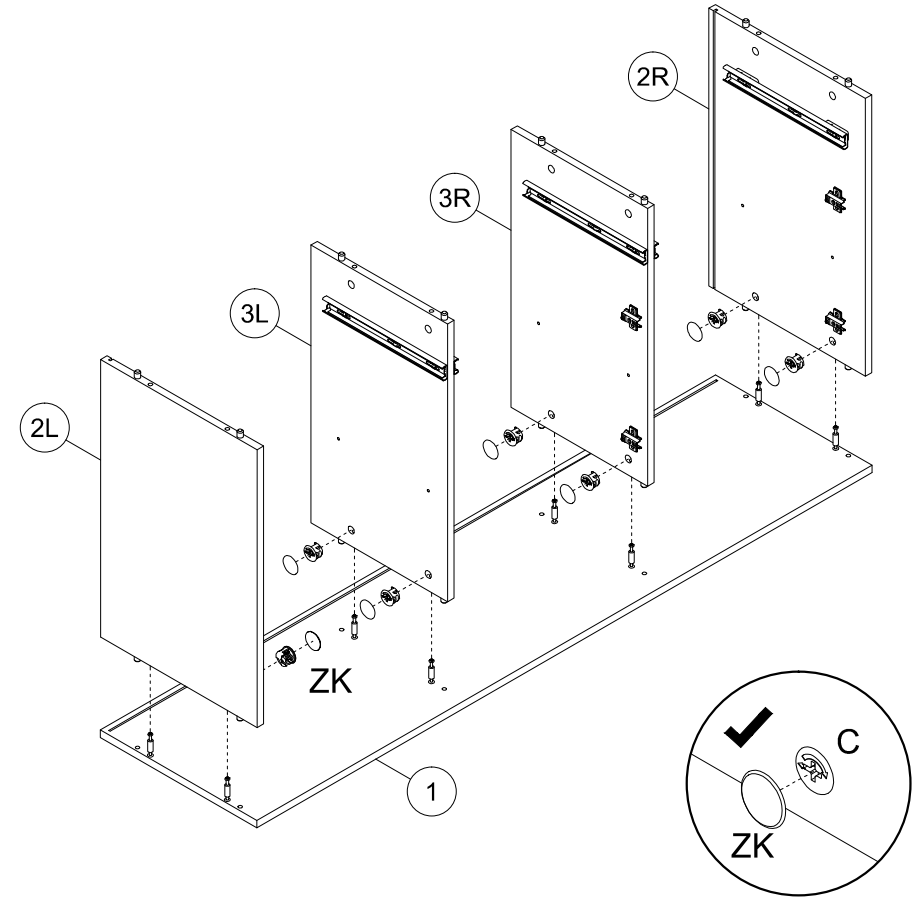
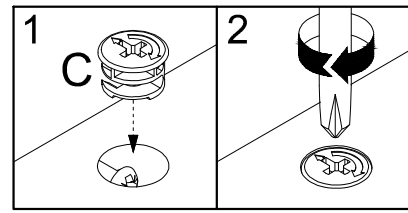
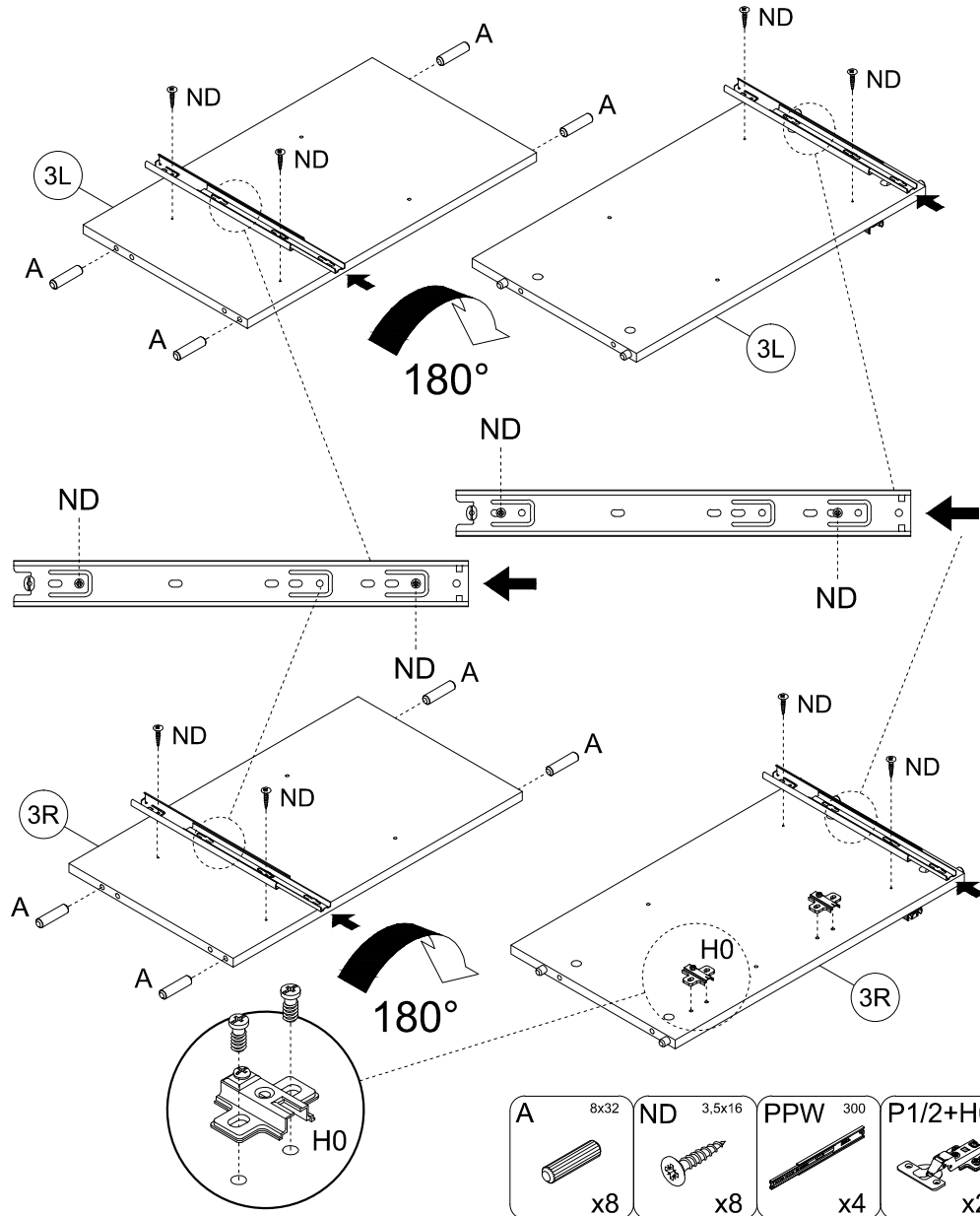
6



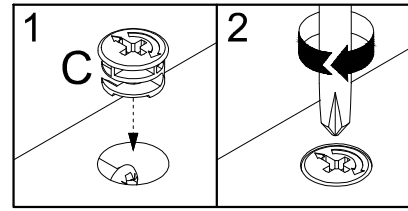
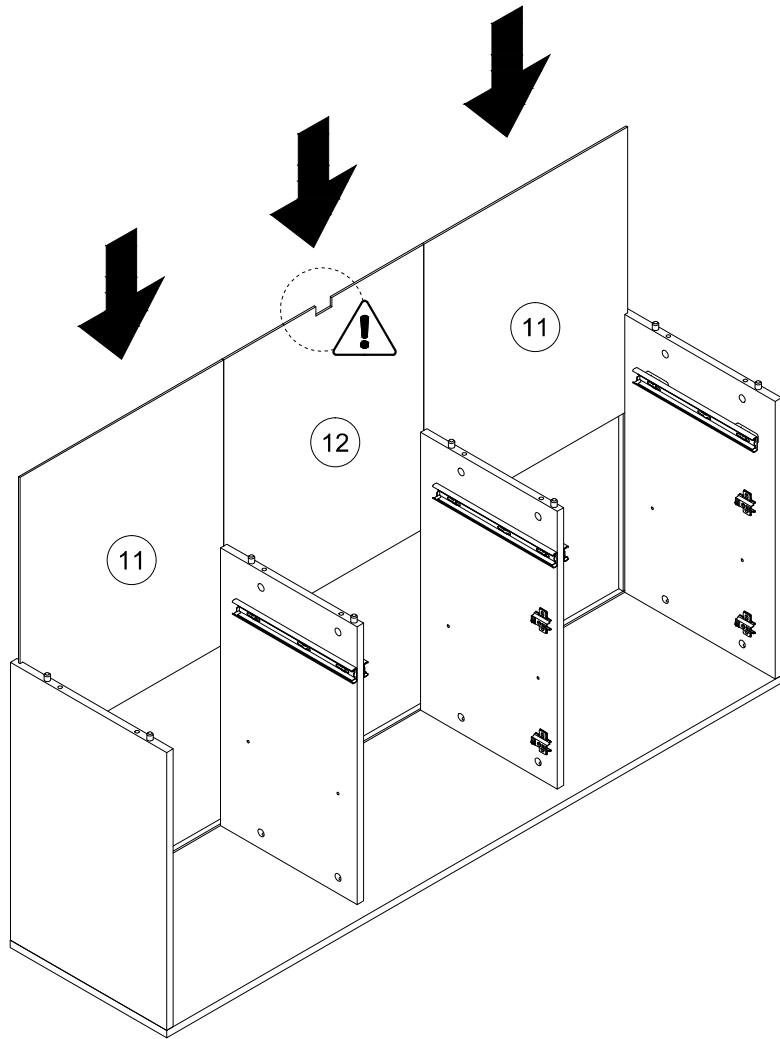
ND			1:1
A	8x32	DY	H-10mm
	x4		x2
ND	3,5x16	PPW	300
	x6		x1
W+H2			
			x2



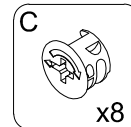
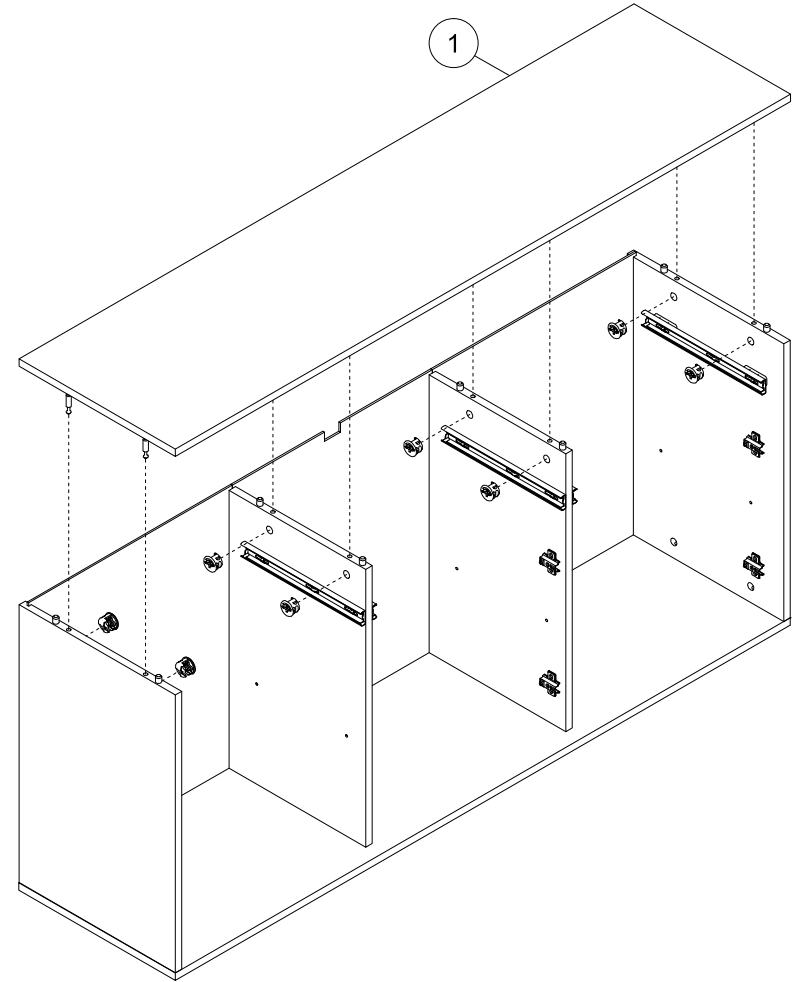
PW1/2+H0



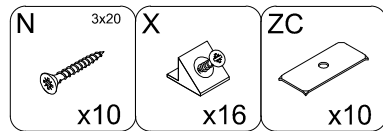
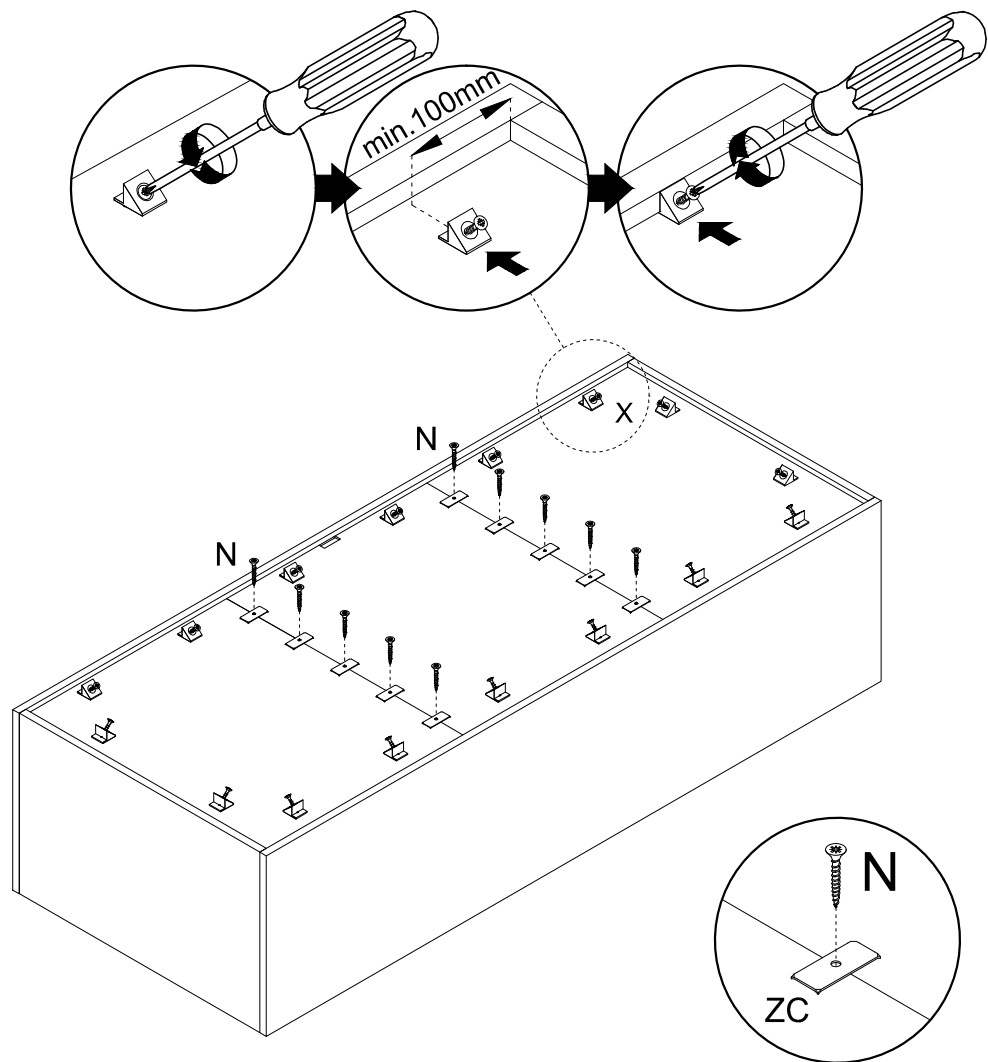
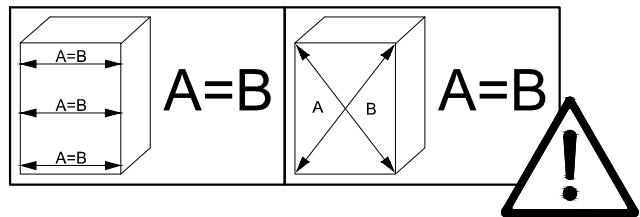
9



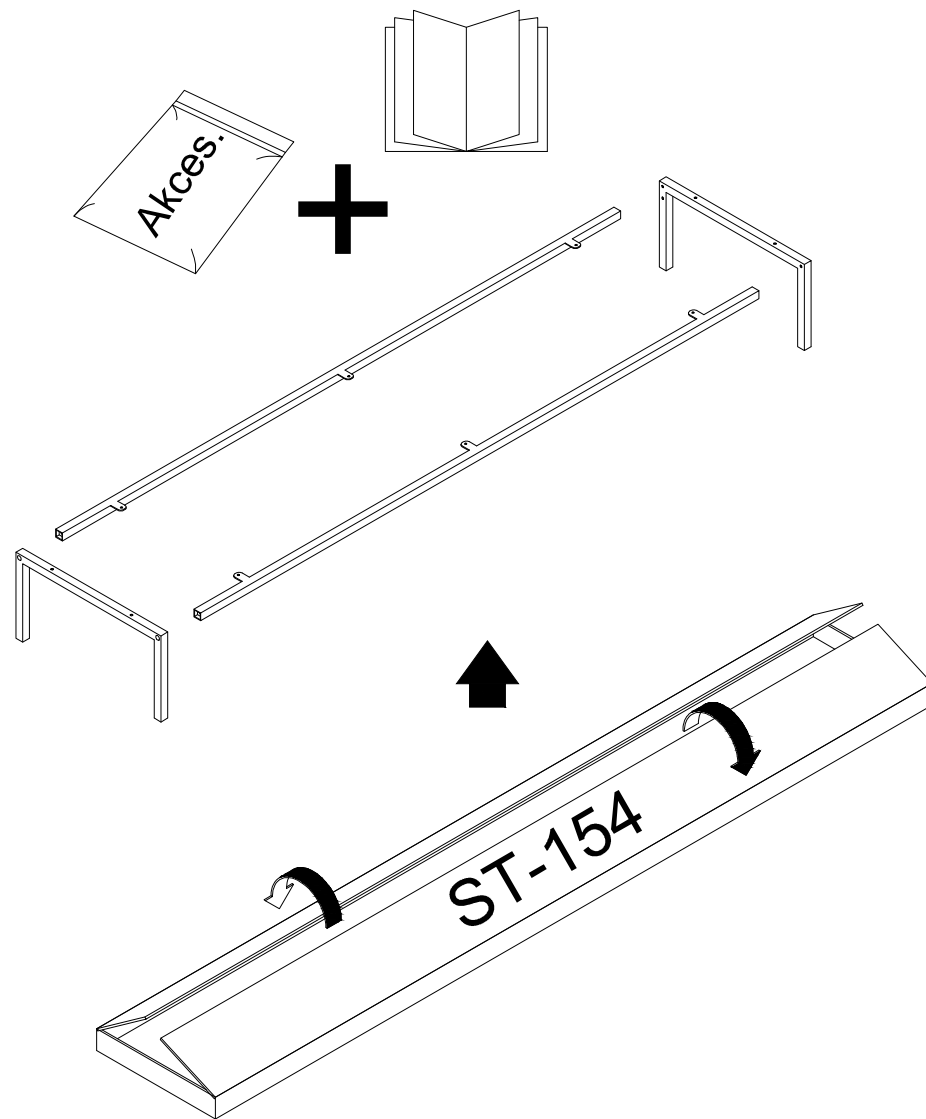
10



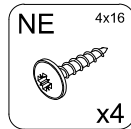
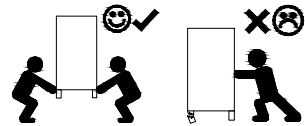
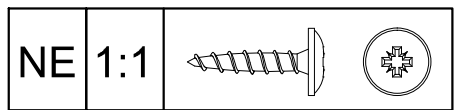
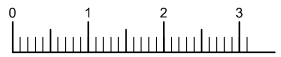
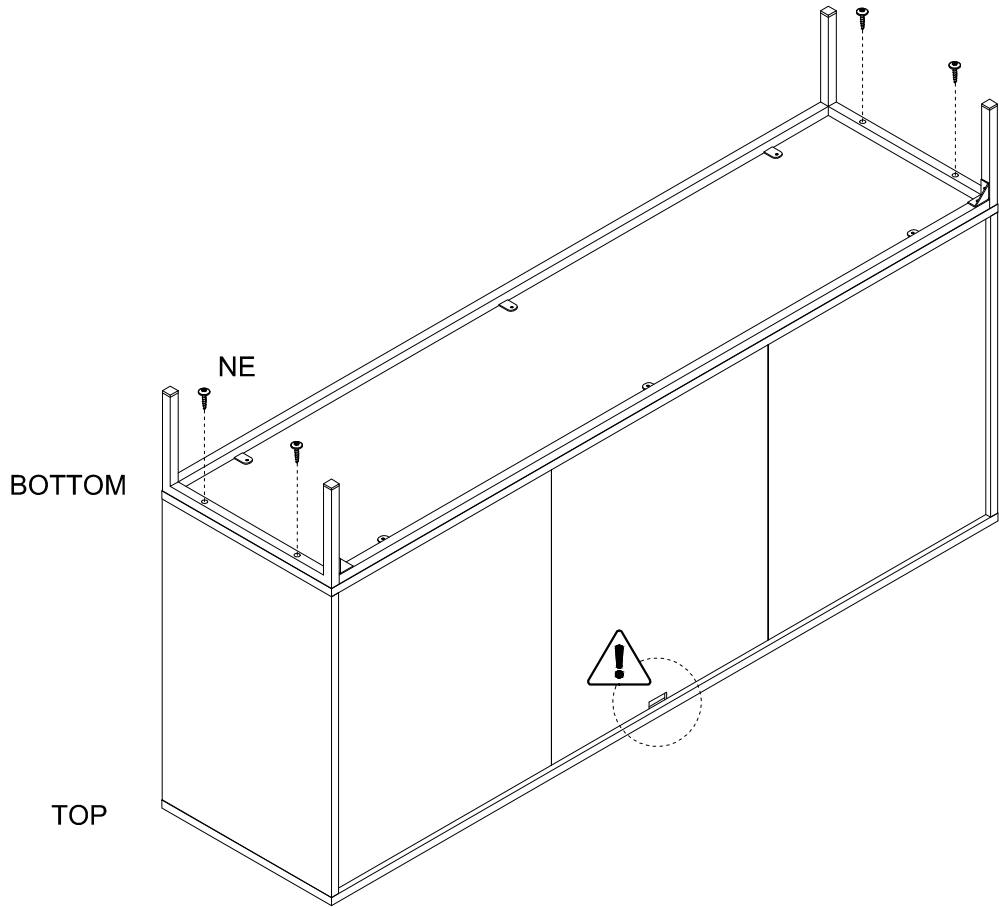
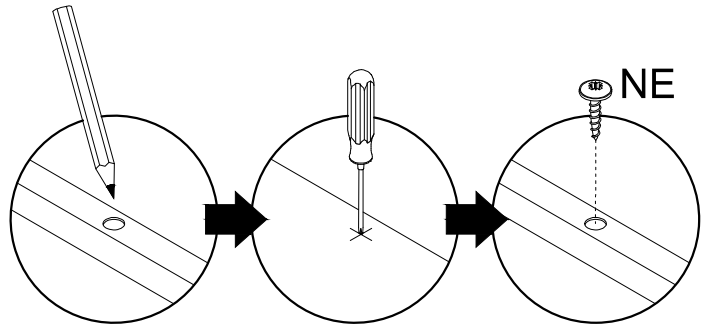
11



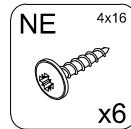
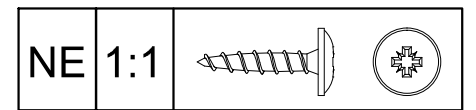
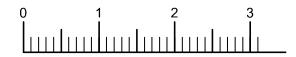
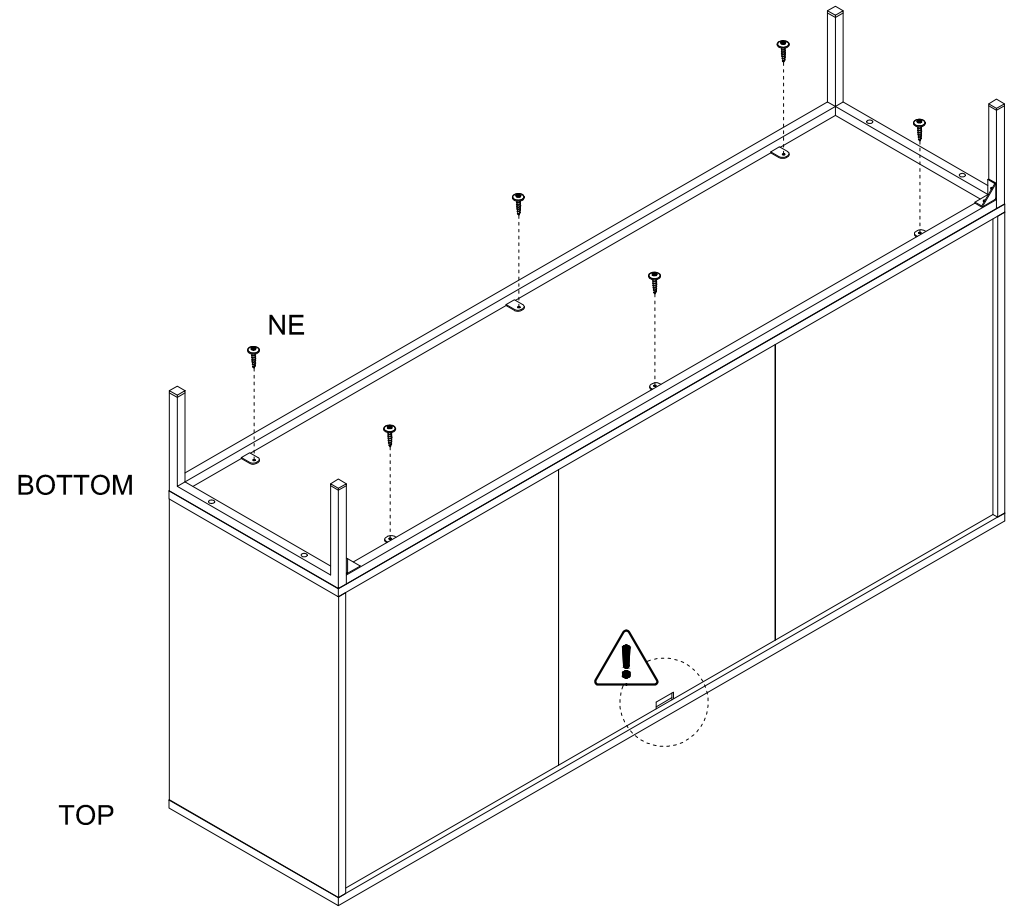
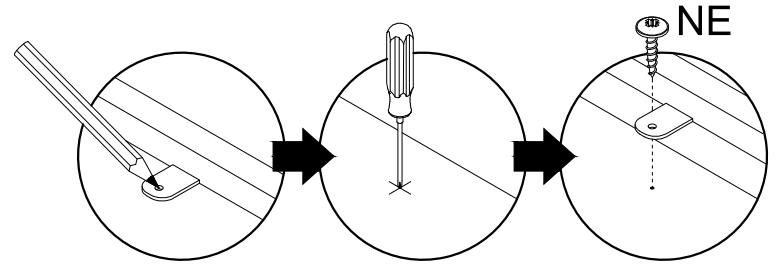
12

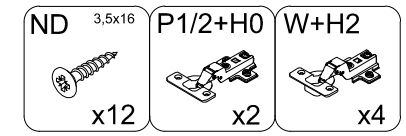
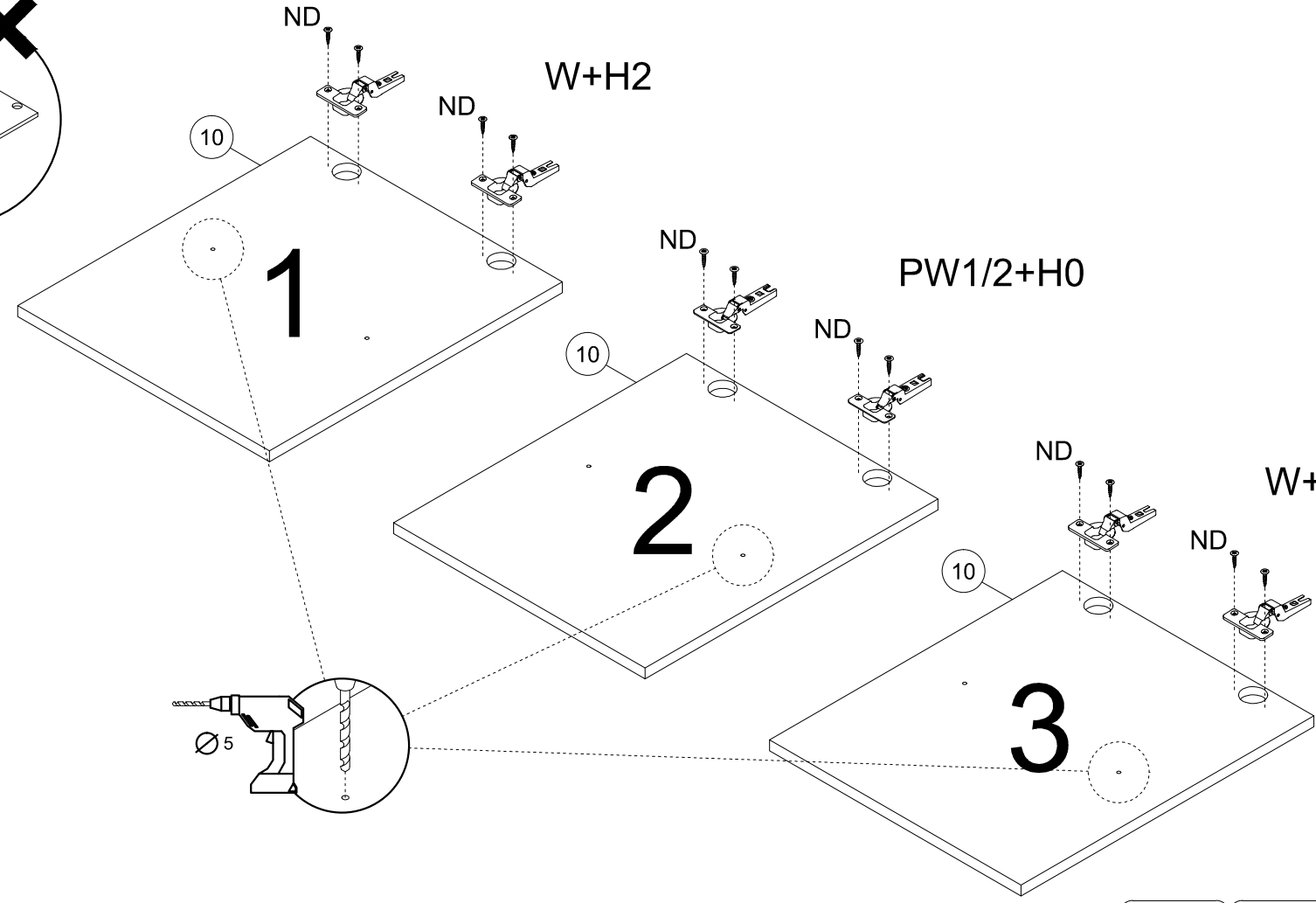
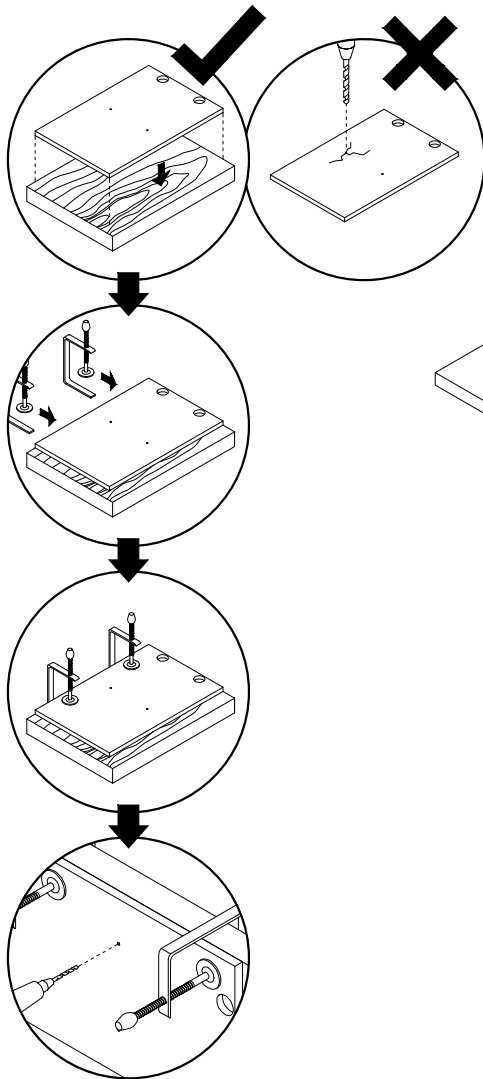
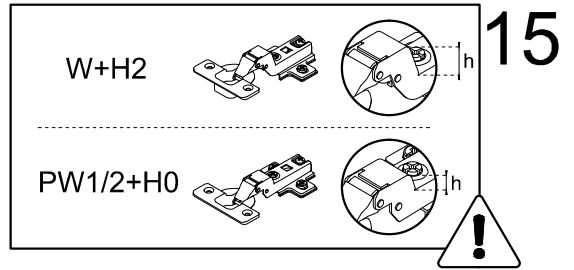
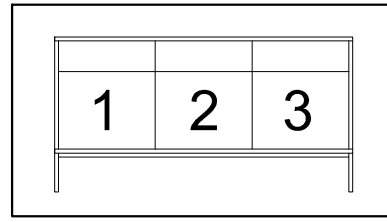
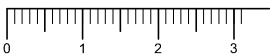
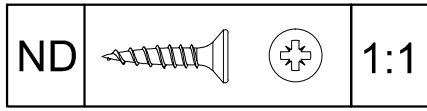
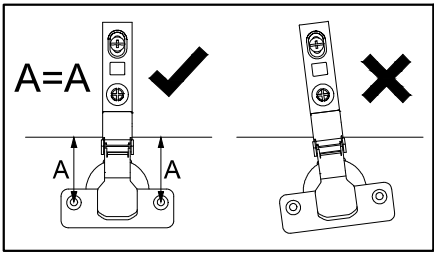


13

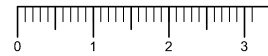
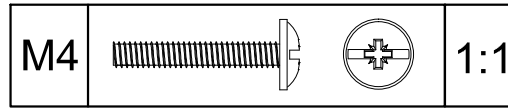
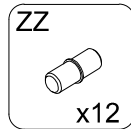
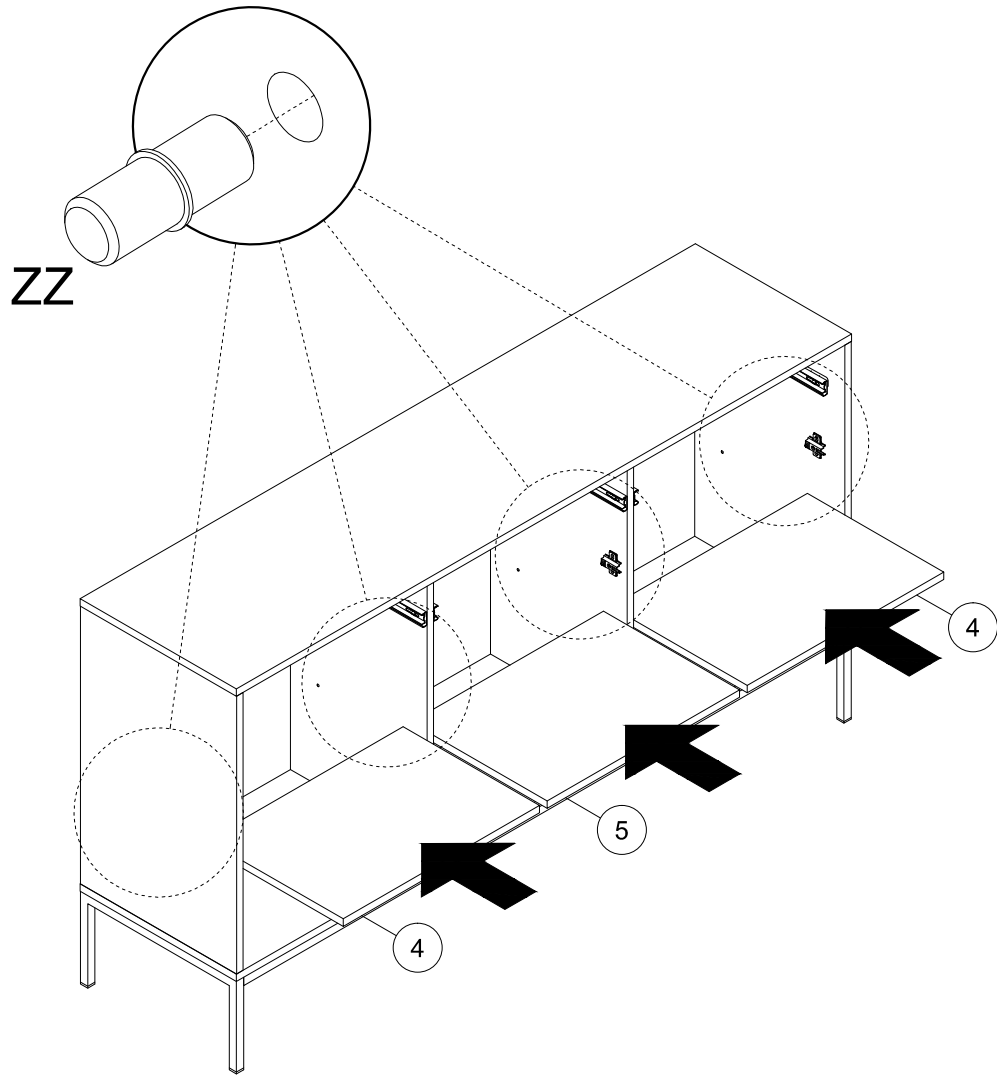


14

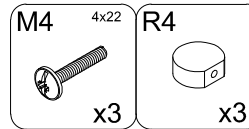
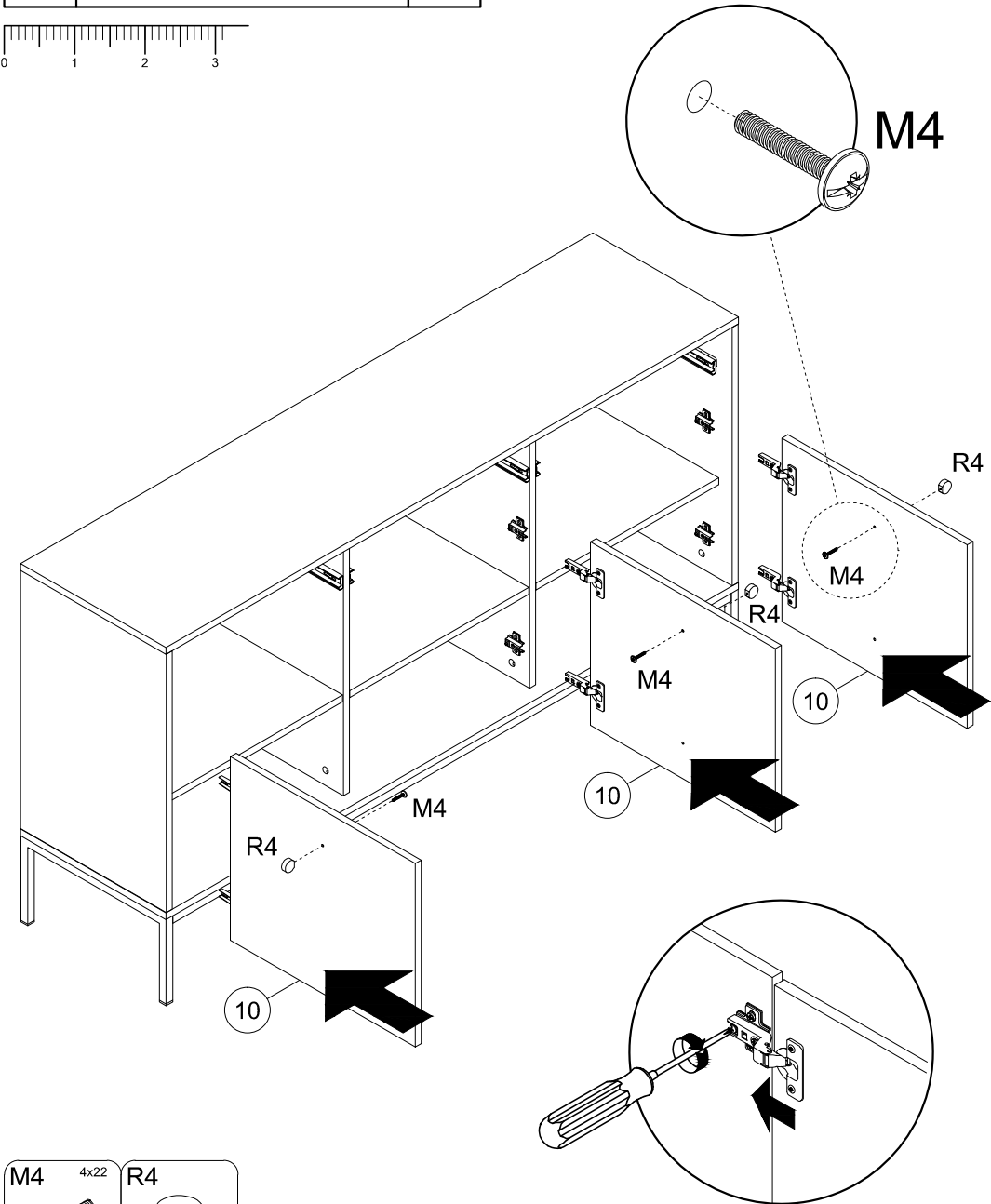




16



17



18

19

