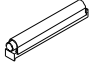
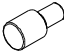

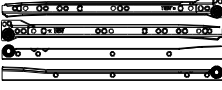

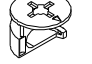


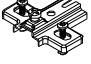




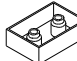

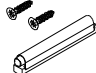






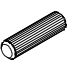




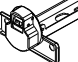






I-IV

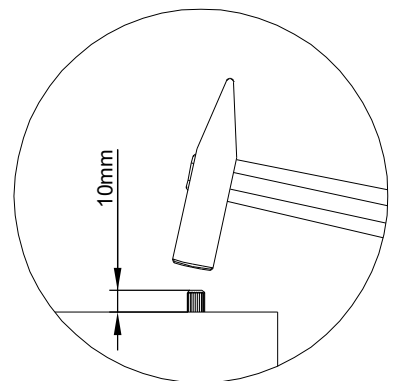
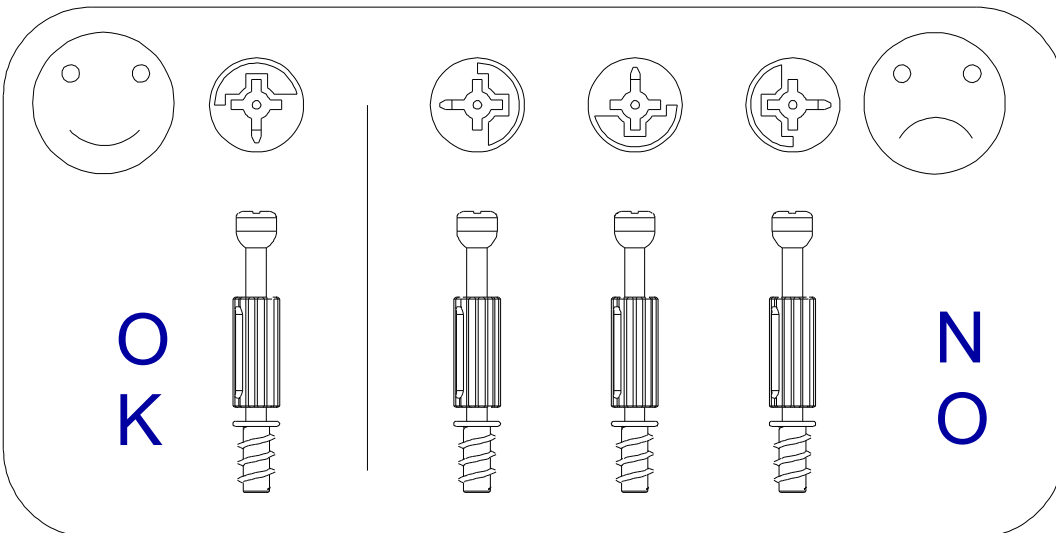
		6,3x13 						
PS x2	S3 x12	F2 x12	PR x3	A x4	B x16	S x8	D x16	L x4

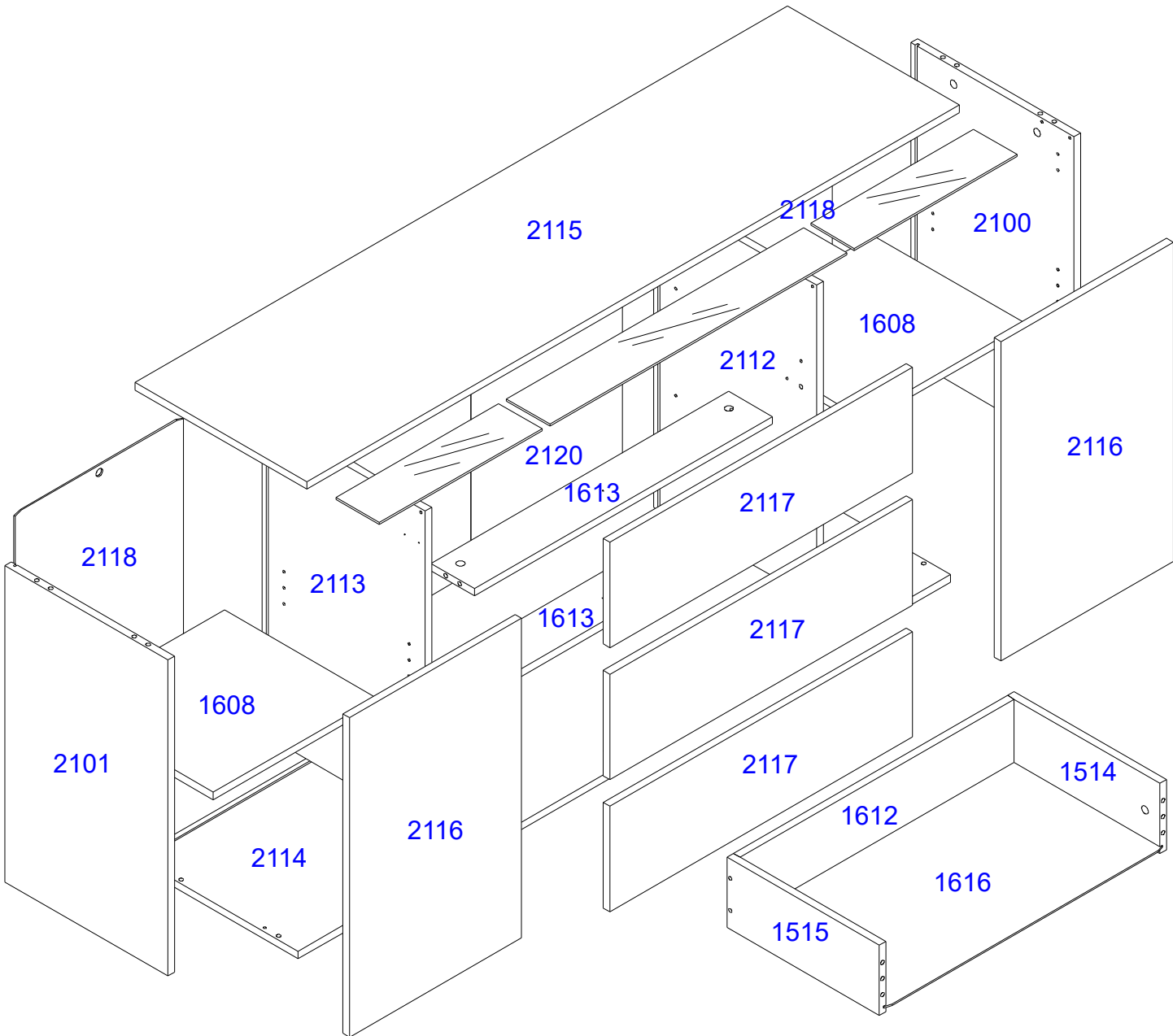
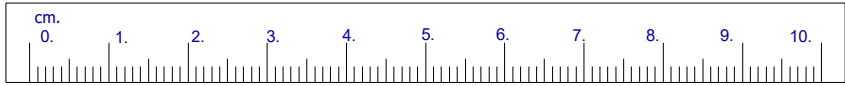
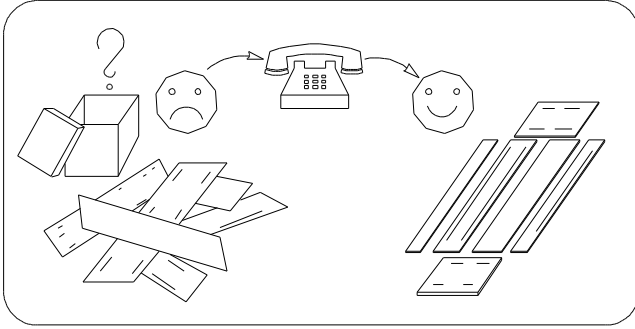
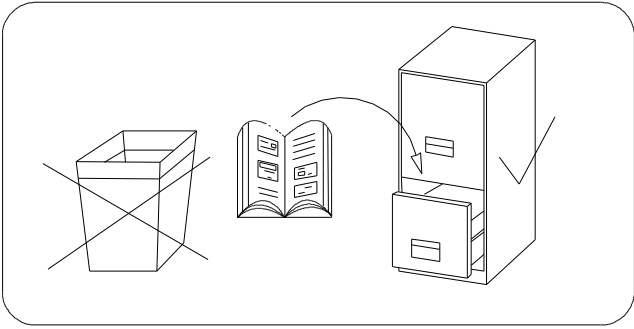
V-XII

3x13 			4x25 					
H x3	DD x3	X x20	G1 x16	M x8	A x16	PS x3	B x4	D x4


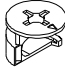

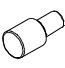
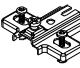
VIII-XVIII

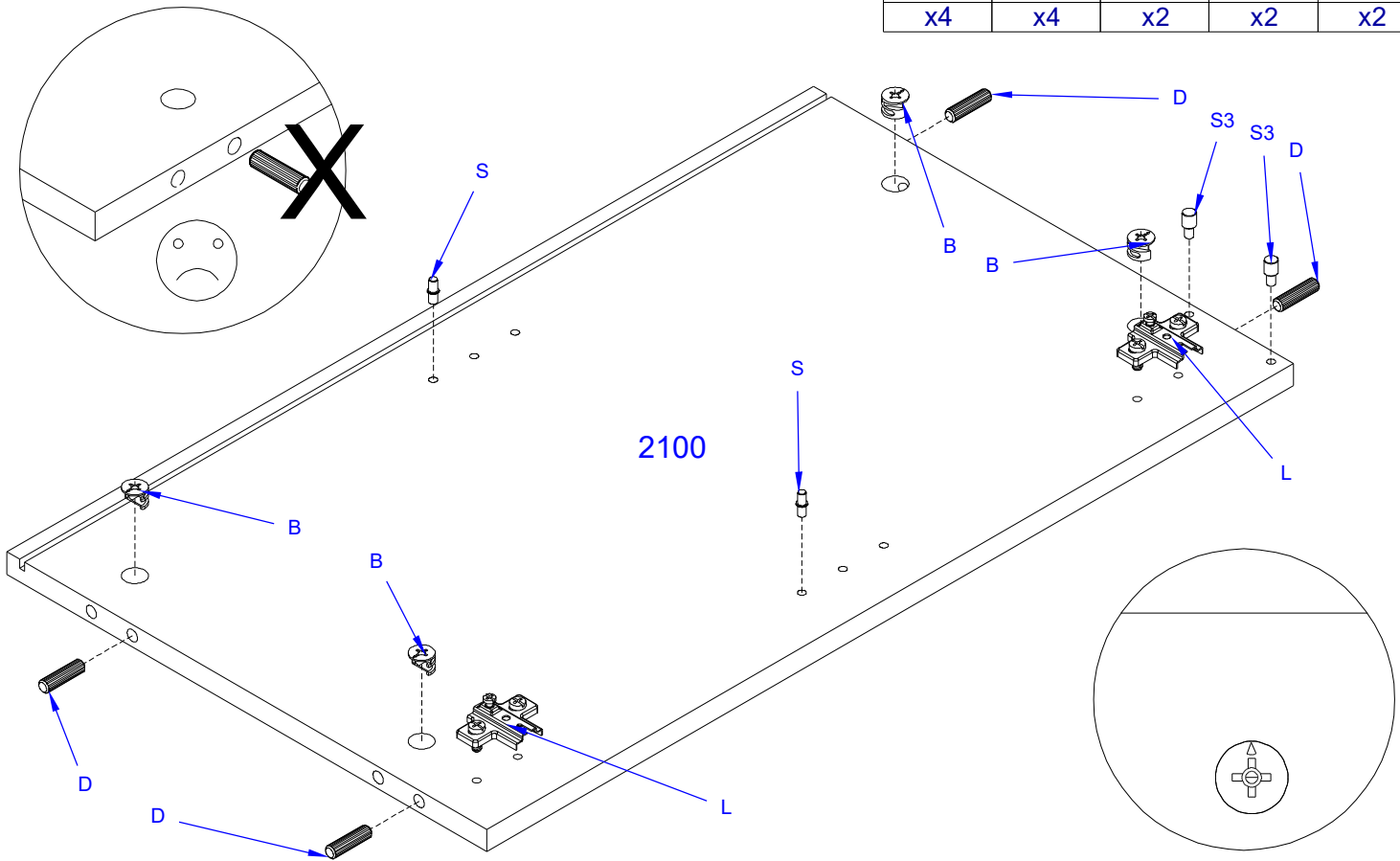
	7x50 					6,3x13 	
X x6	O x12	D x12	B x6	A x6	I x22	F2 x8	Z x4
			3x20 	3x13 			
MS x1	U x1	WS x3	H2 x12	H4 x6	PR x3		



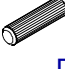
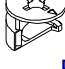





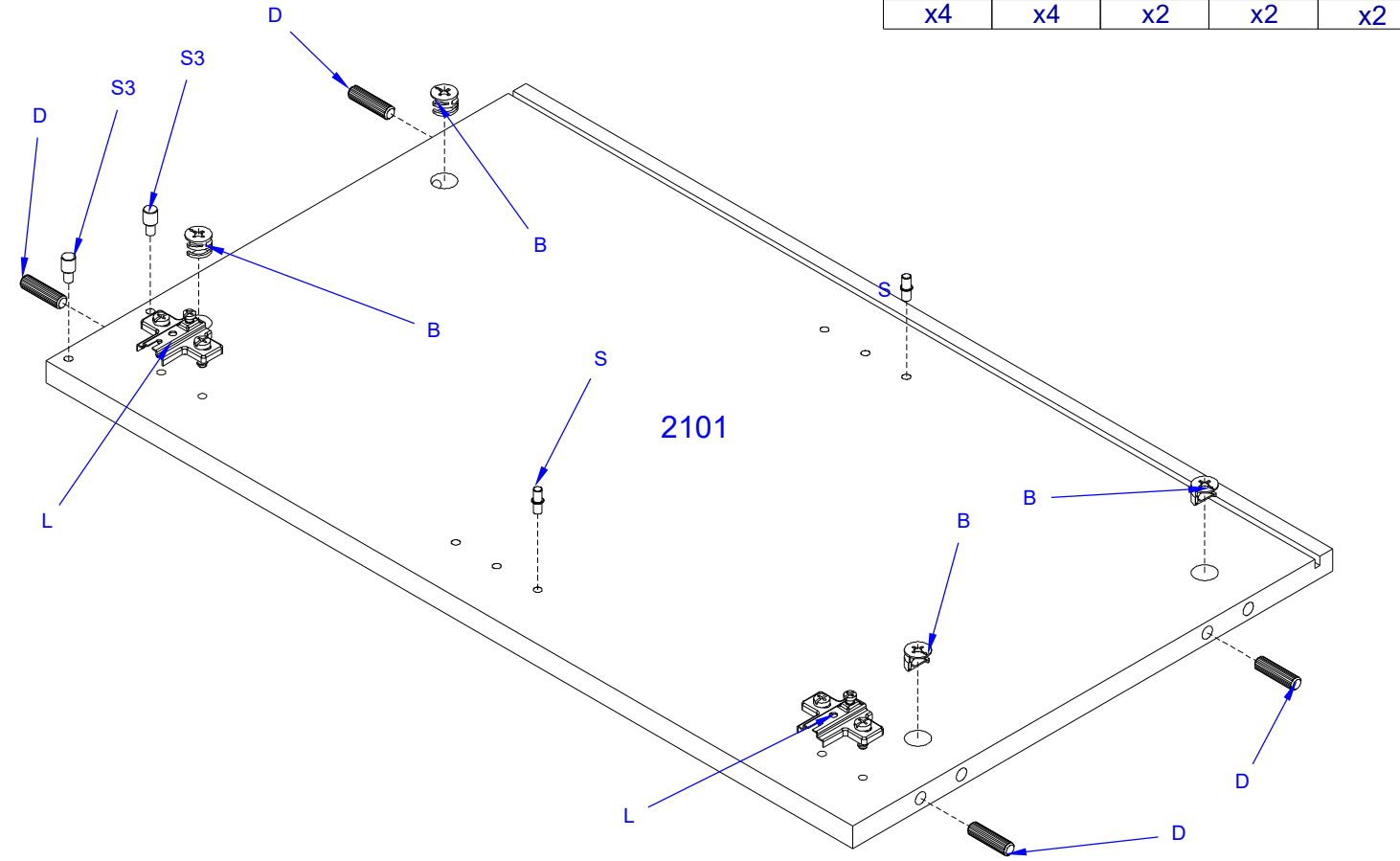
I

				
D	B	S	S3	L
x4	x4	x2	x2	x2



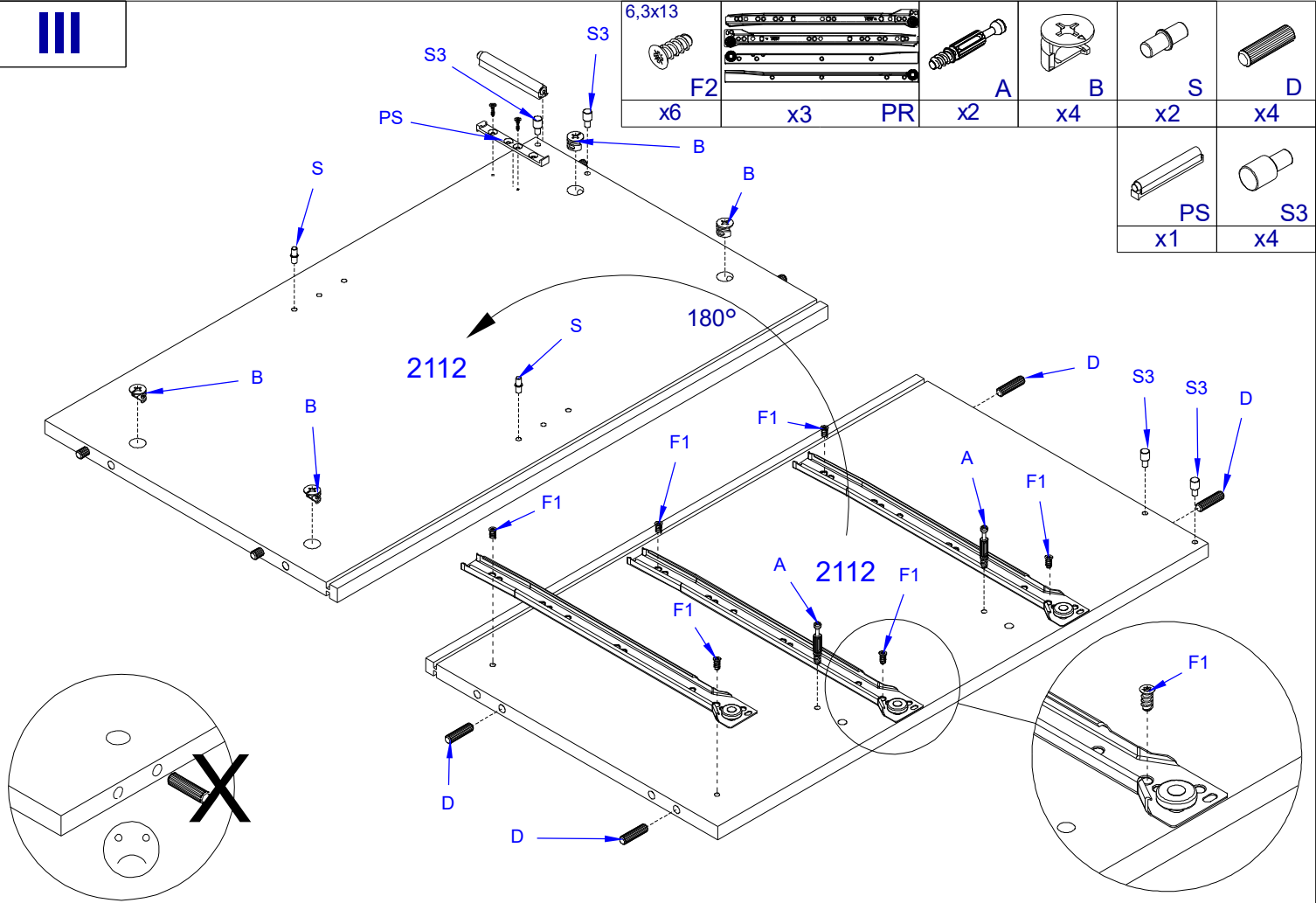
II

				
D	B	S	S3	L
x4	x4	x2	x2	x2

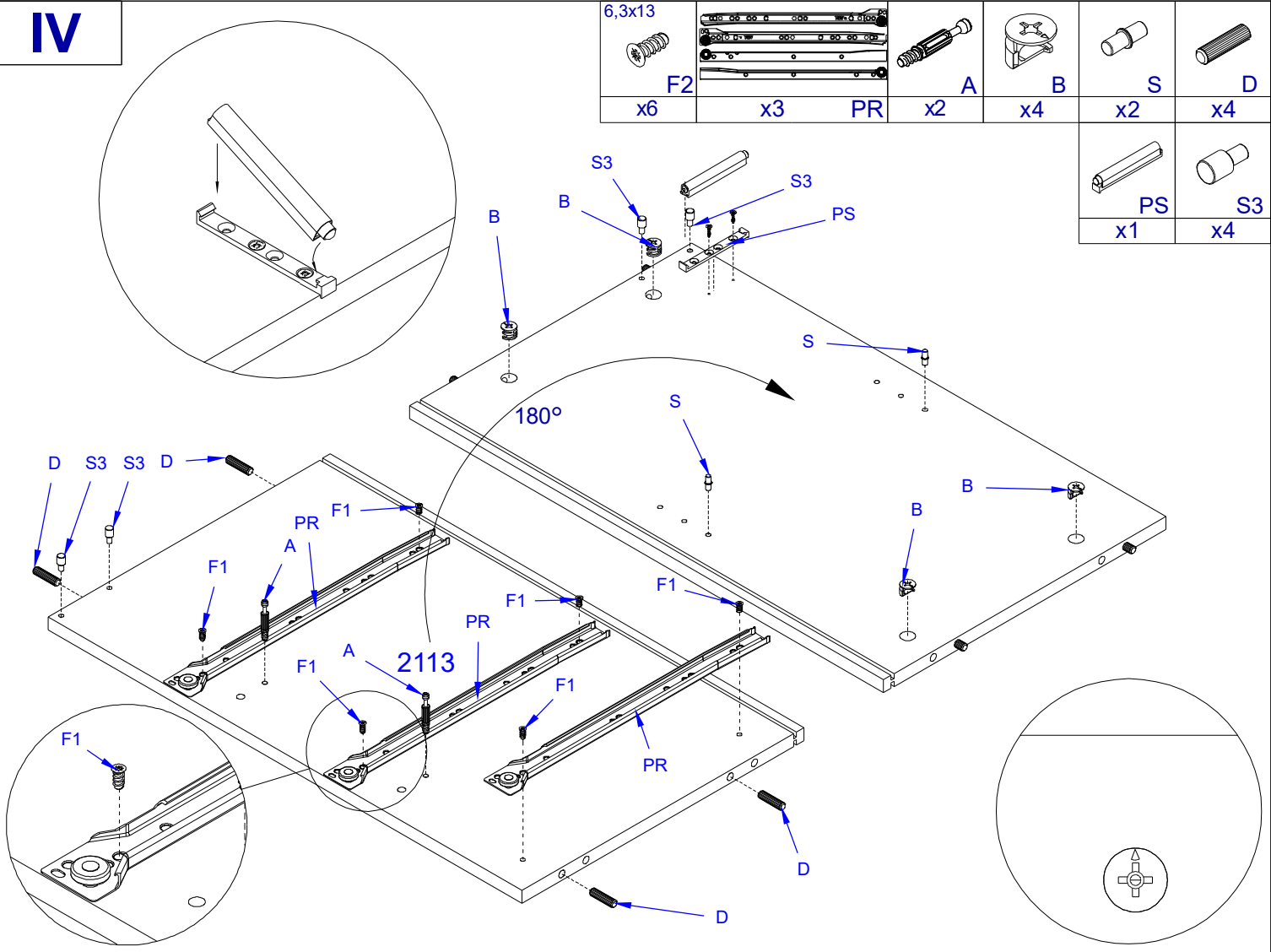


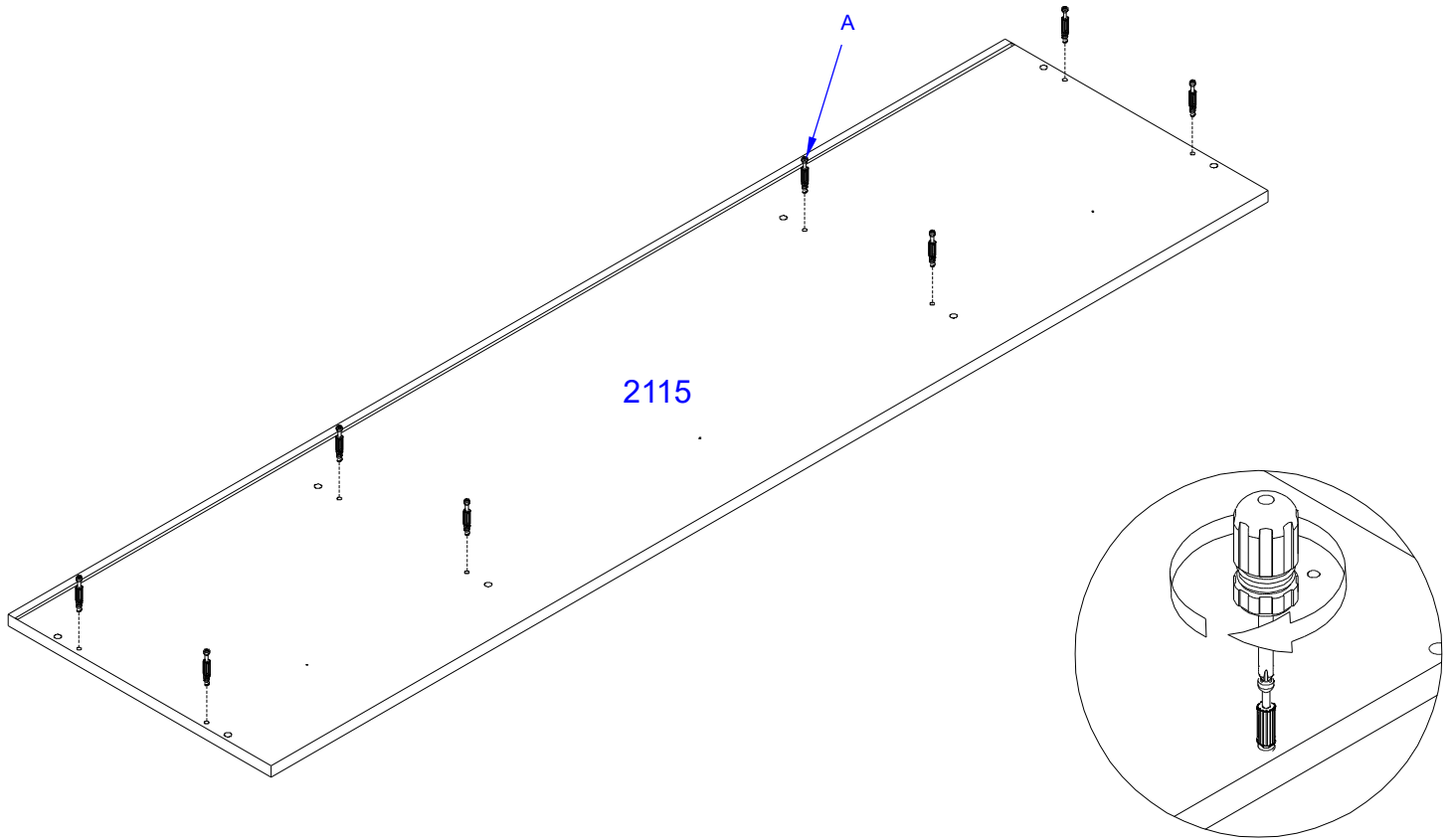


6,3x13 F2 x6	 x3	 PR	 A x2	 B x4	 S x2	 D x4
					 PS x1	 S3 x4

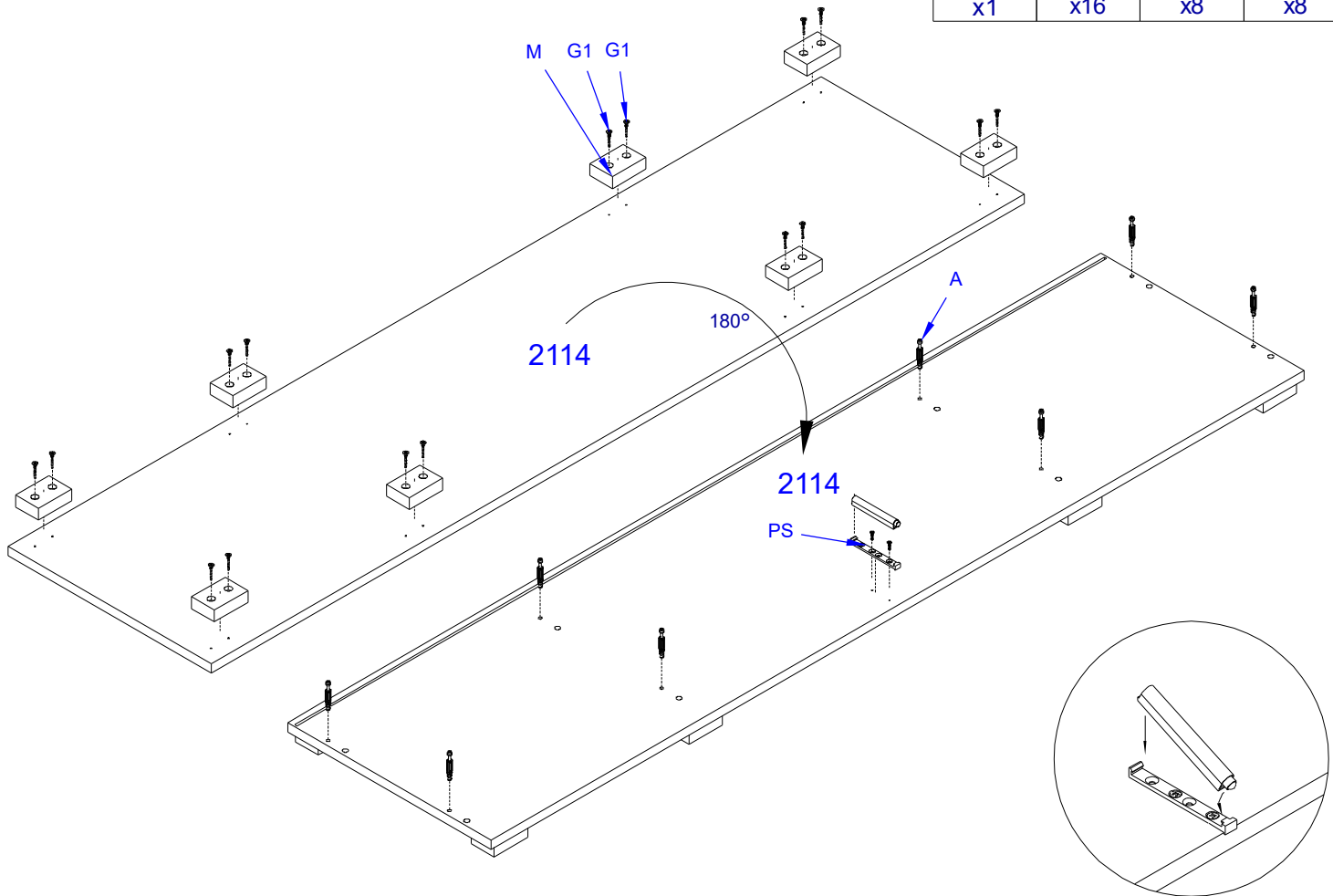


6,3x13 F2 x6	 x3	 PR	 A x2	 B x4	 S x2	 D x4
					 PS x1	 S3 x4

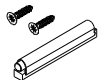
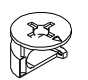



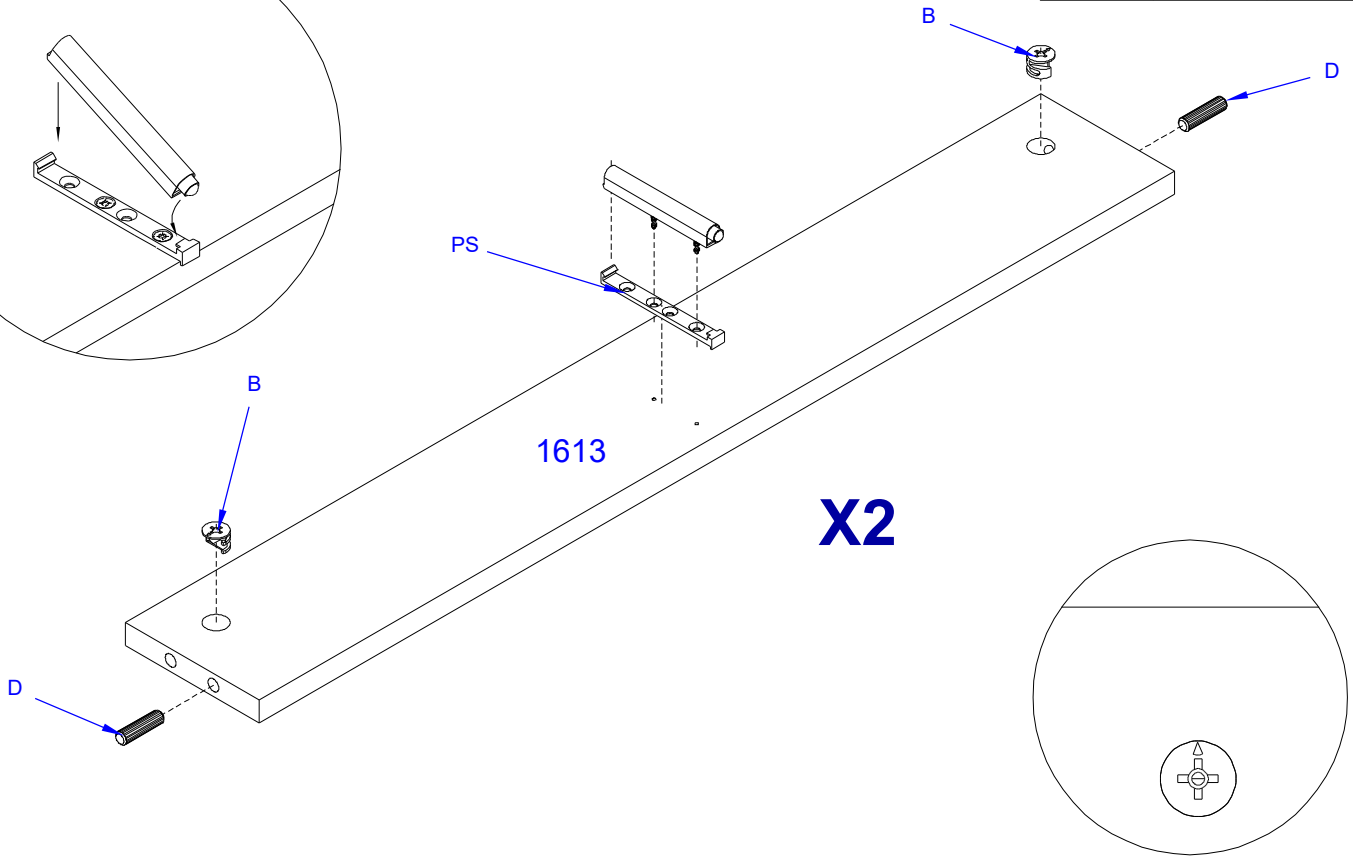
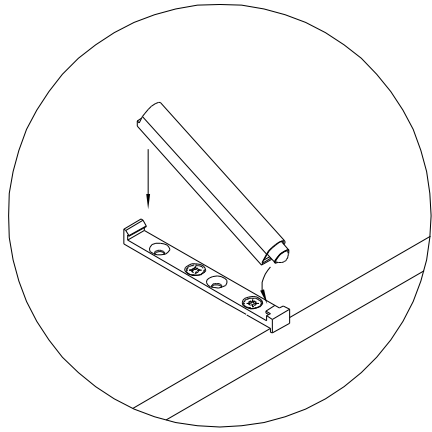
Vx8
A**VI**

	4x25			
PS		G1	M	A
x1	x16	x8	x8	x8

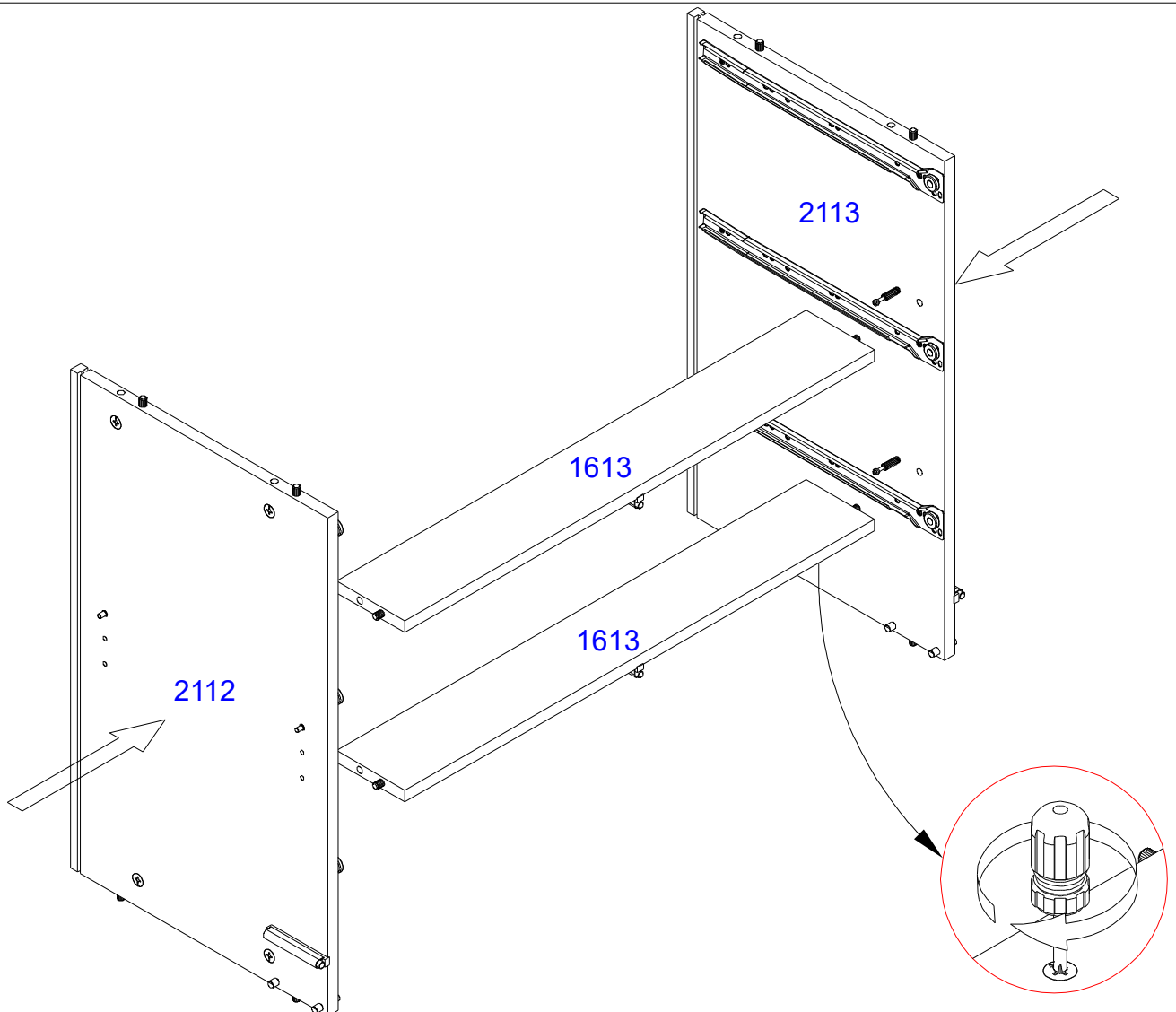


VII

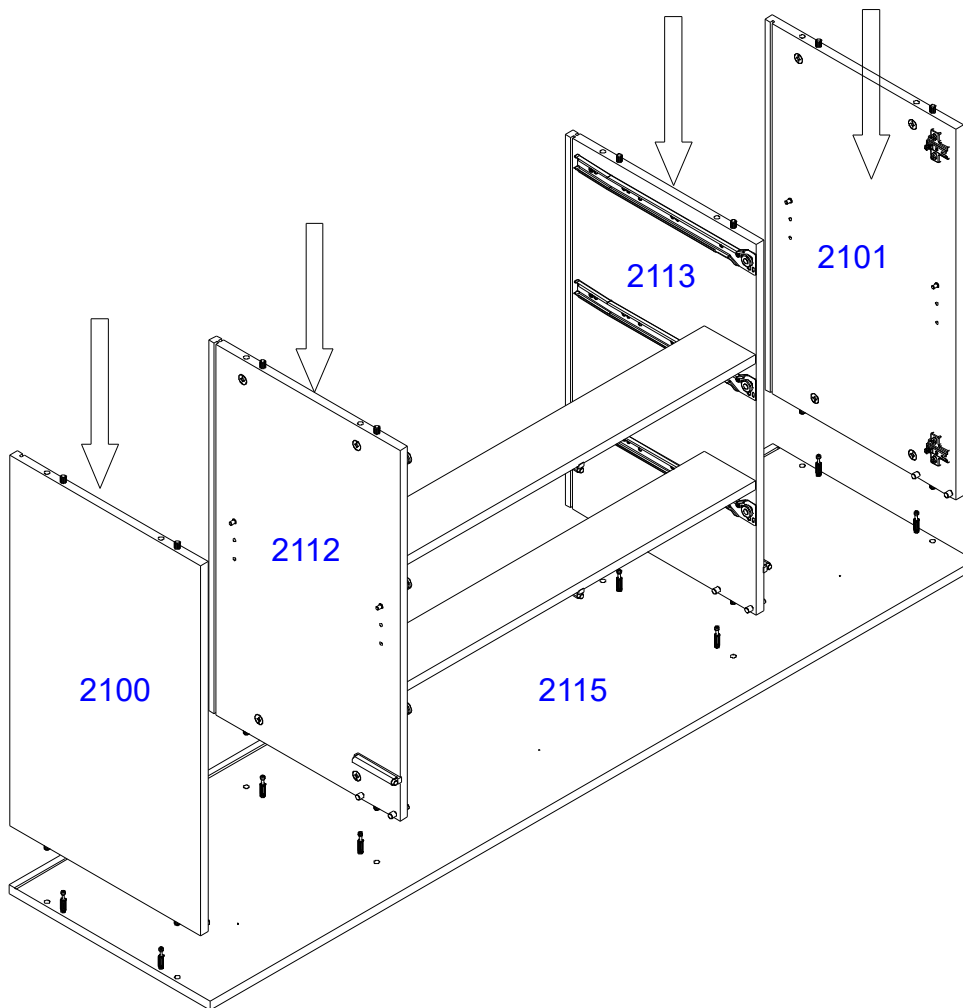
		
PS	B	D
x2	x4	x4



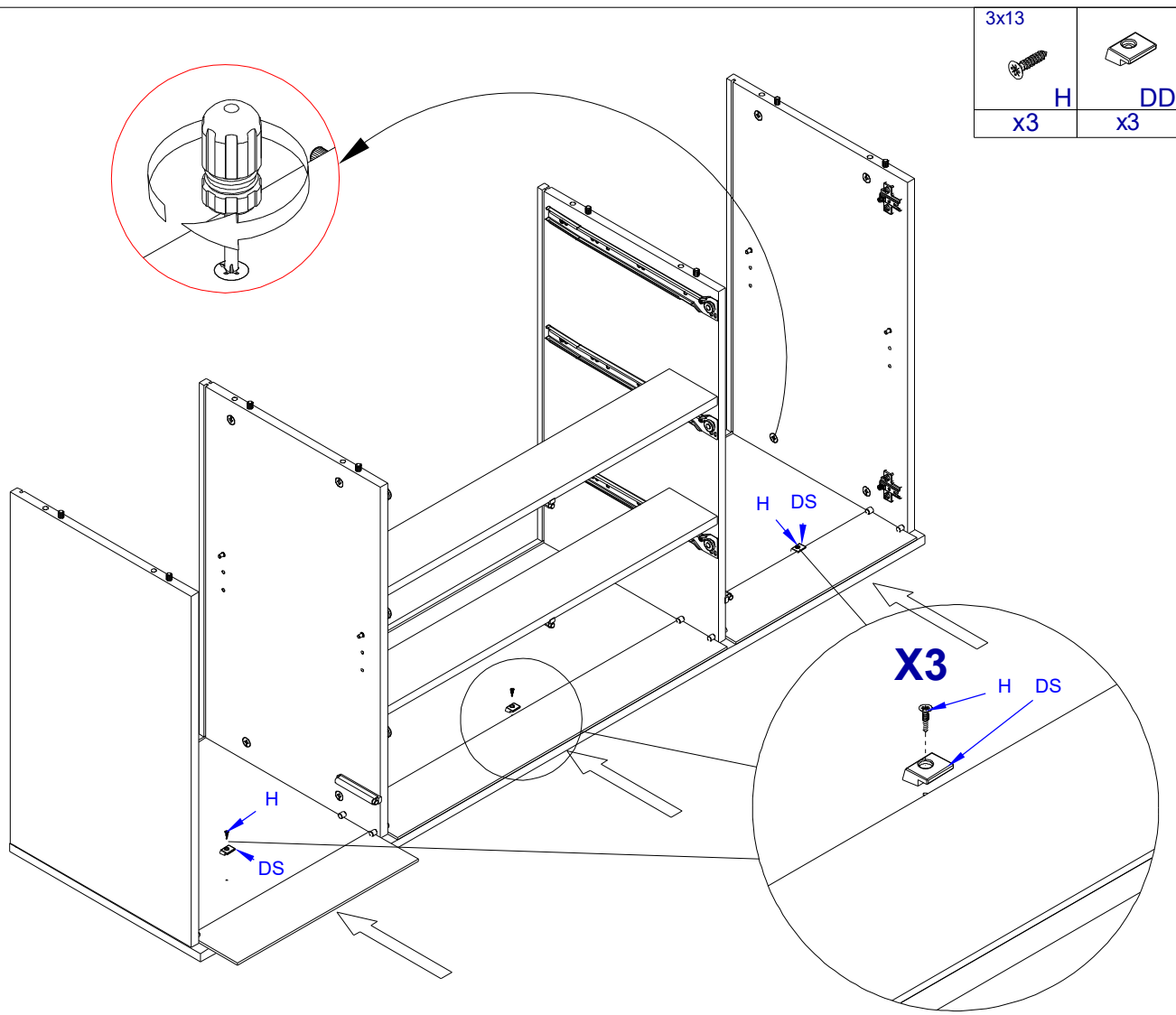
VIII



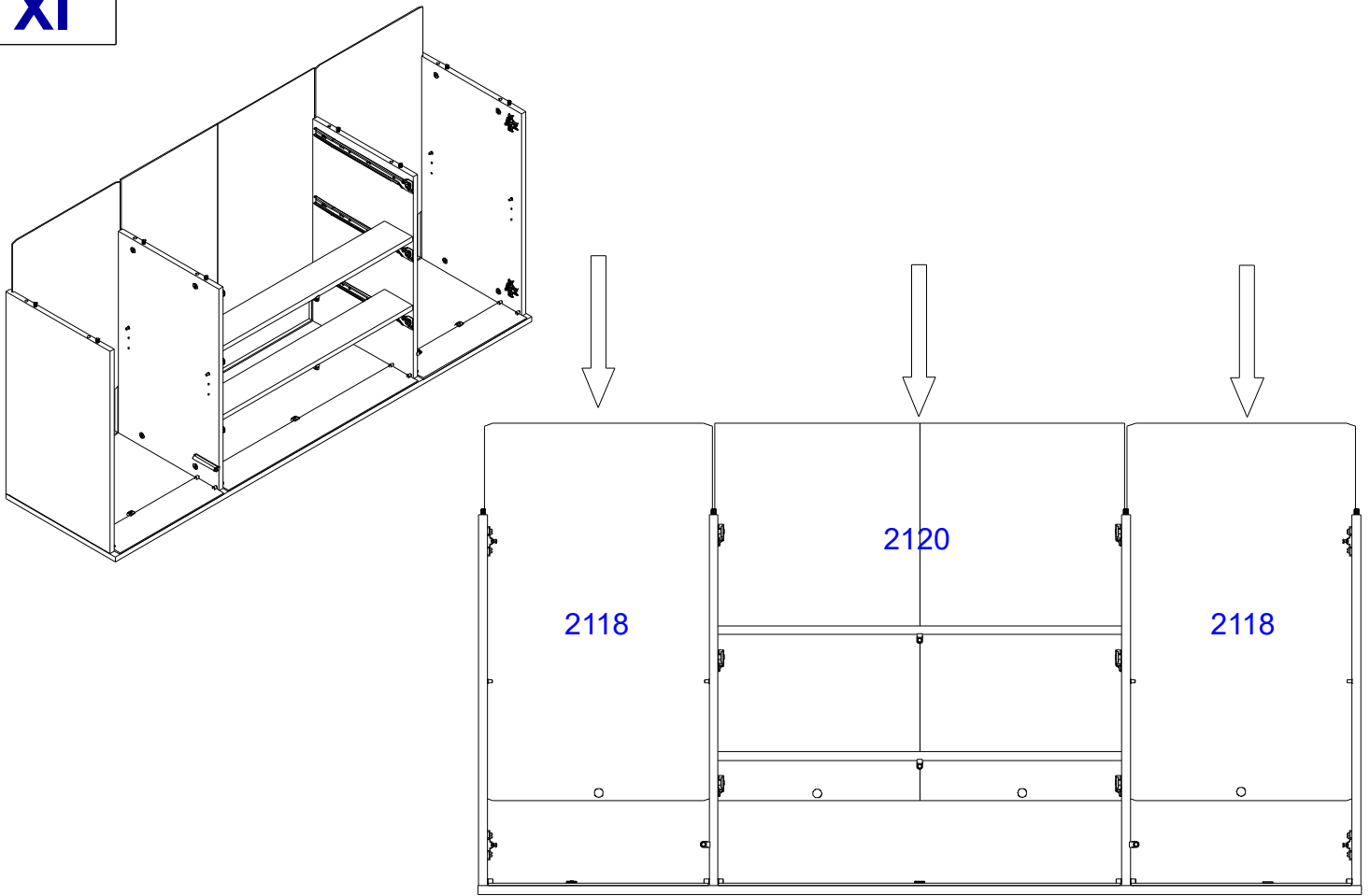
IX



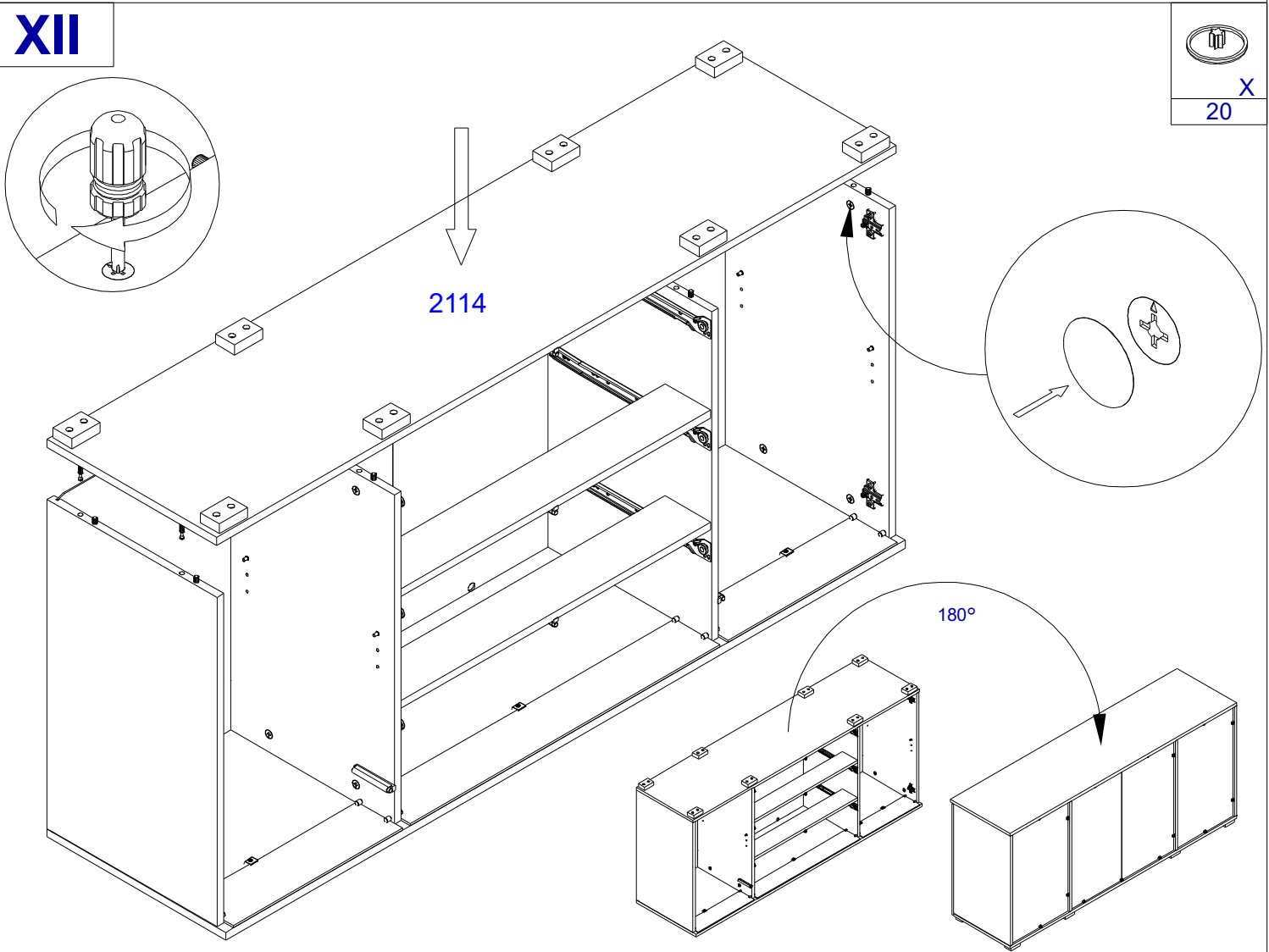
X



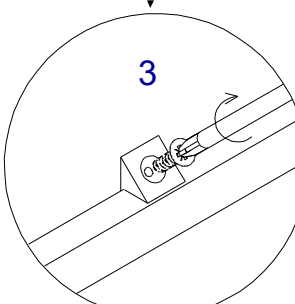
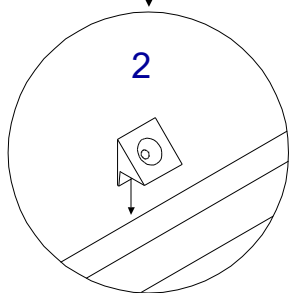
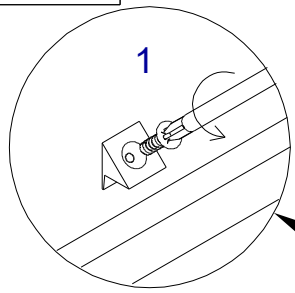
XI



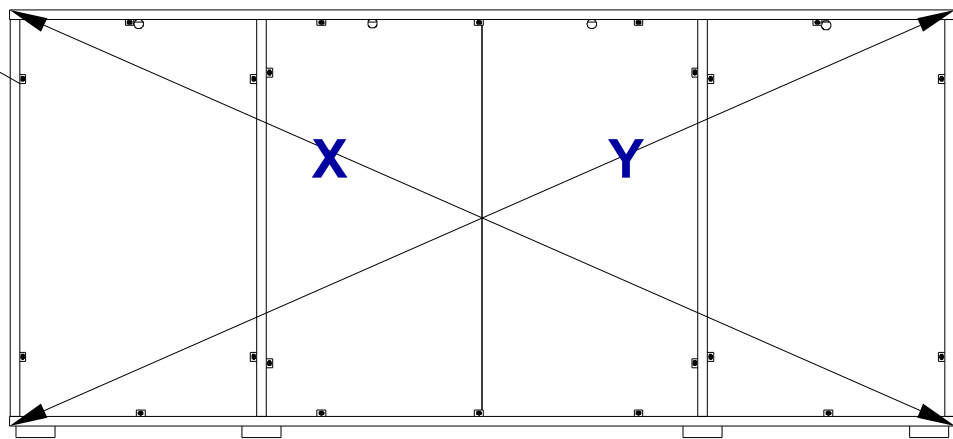
XII



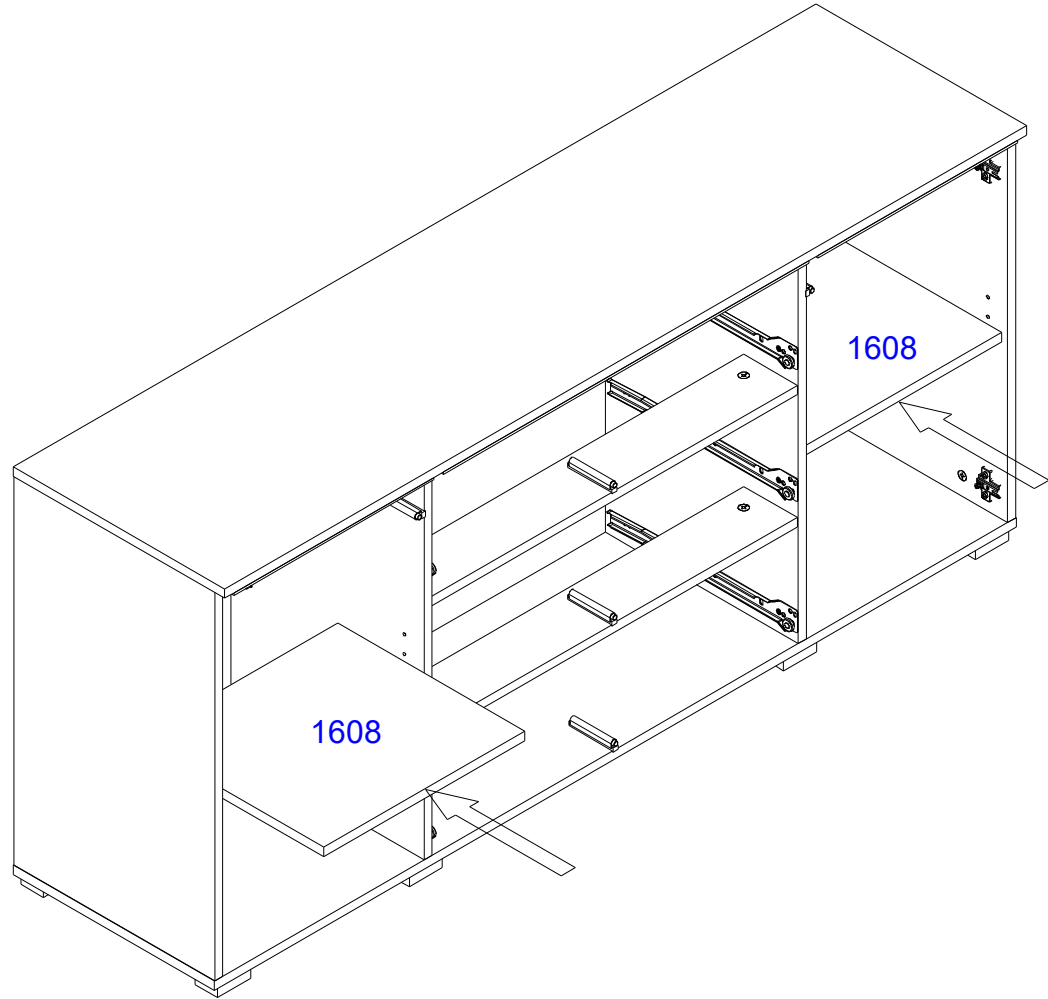
XIII



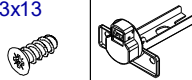
$X=Y$



XIV

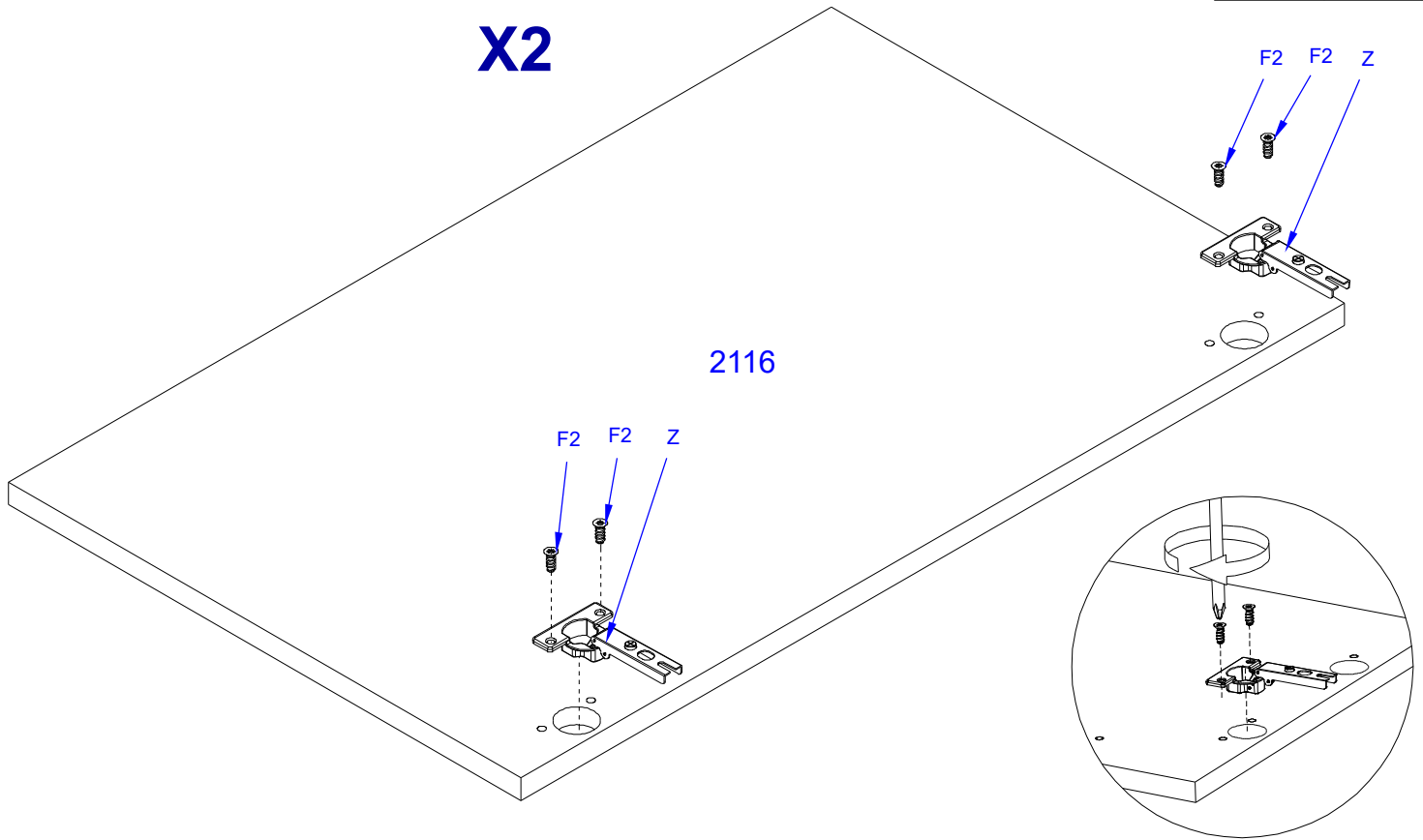


XV

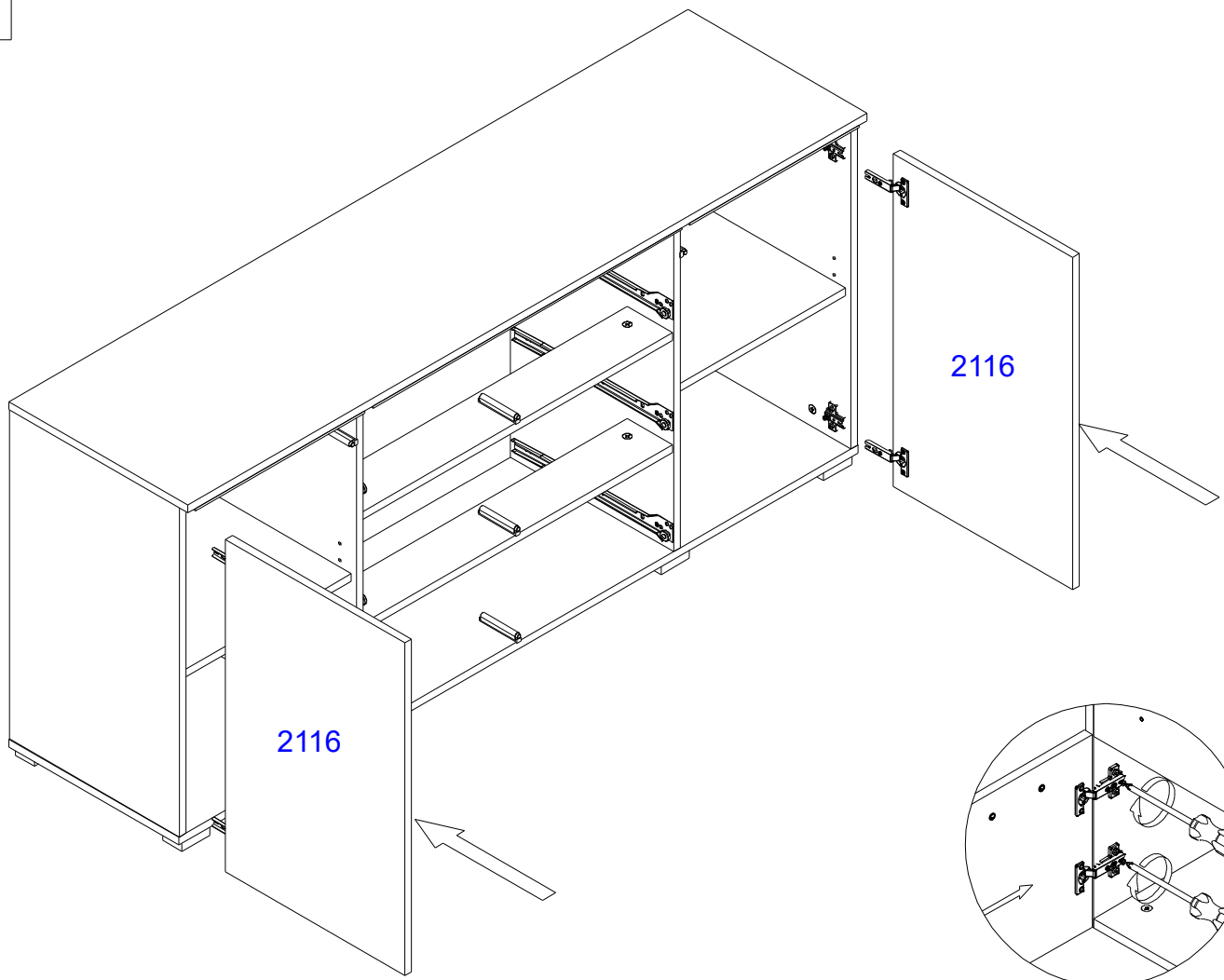
6,3x13	
F2	Z
x8	x4

X2

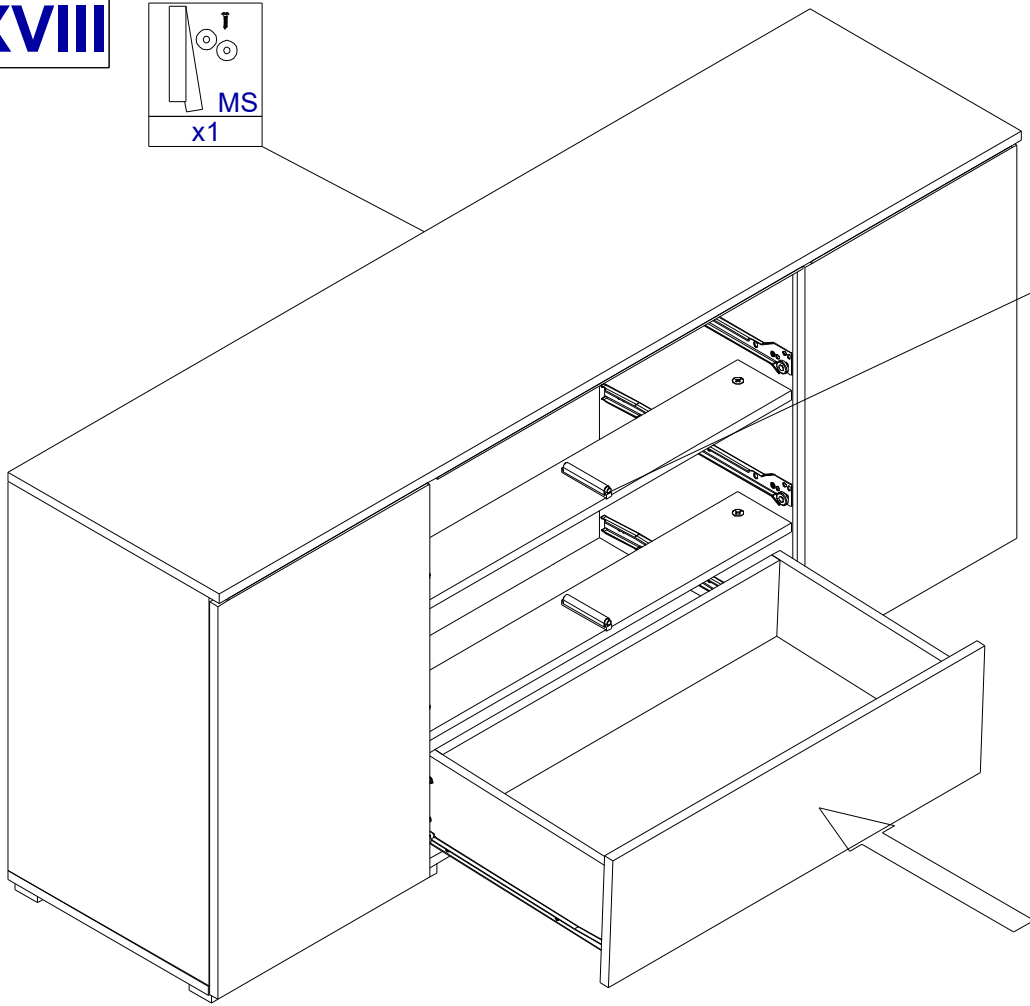
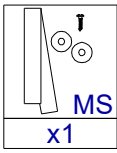
2116



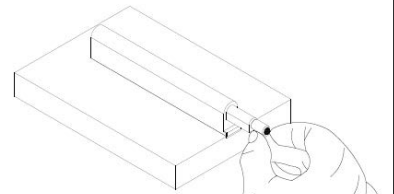
XVI



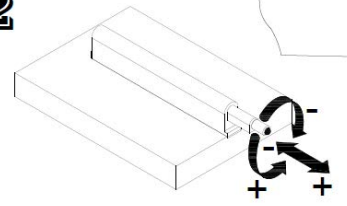
XVIII



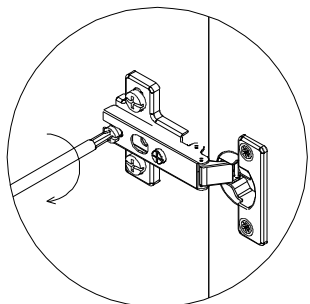
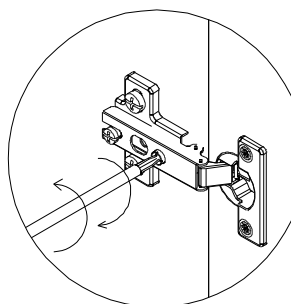
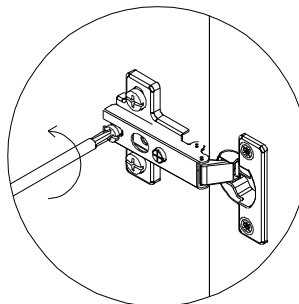
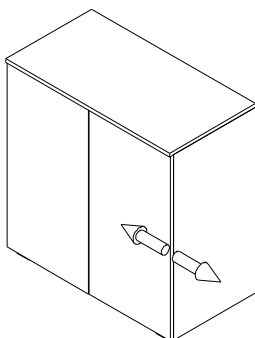
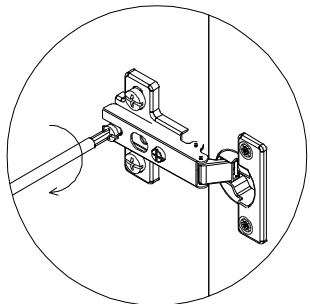
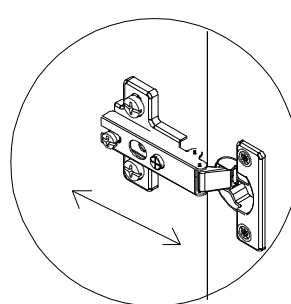
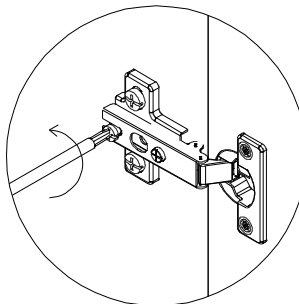
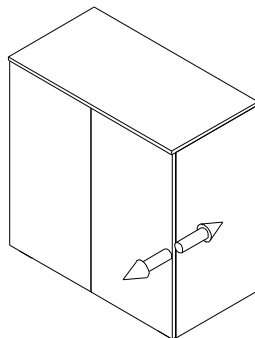
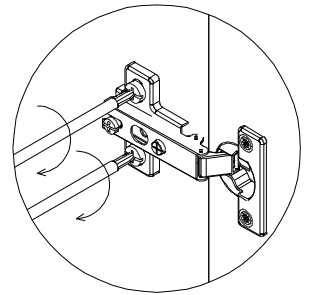
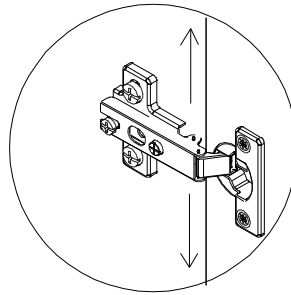
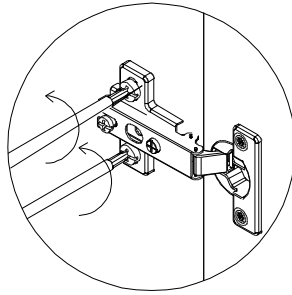
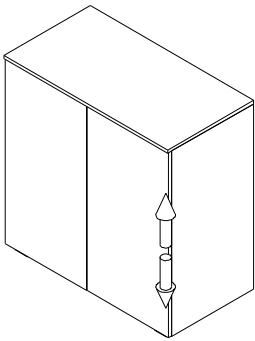
1

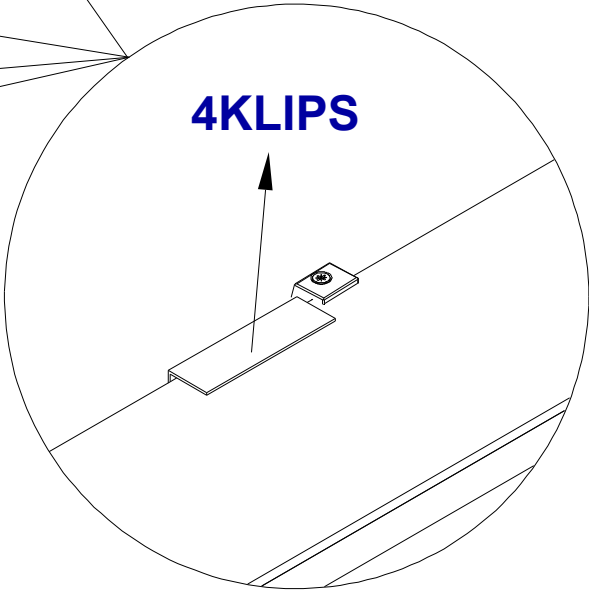
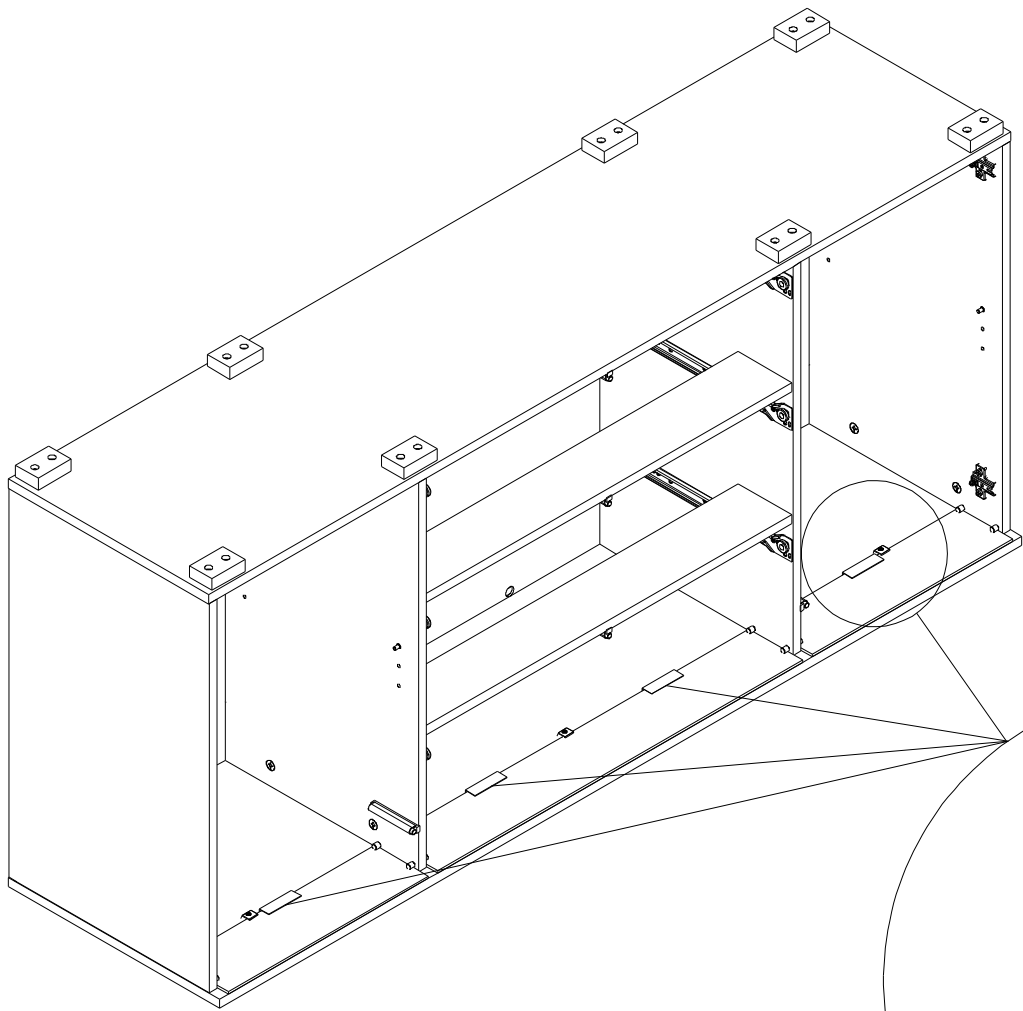


2



XIX





4KLIPS