
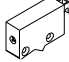


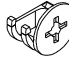


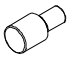
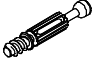
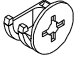
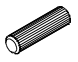
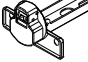




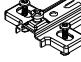


I

							
R x1	G x2	H1 x4	D x4	B x2	S 4x	A x6	S3 4x


II - VII

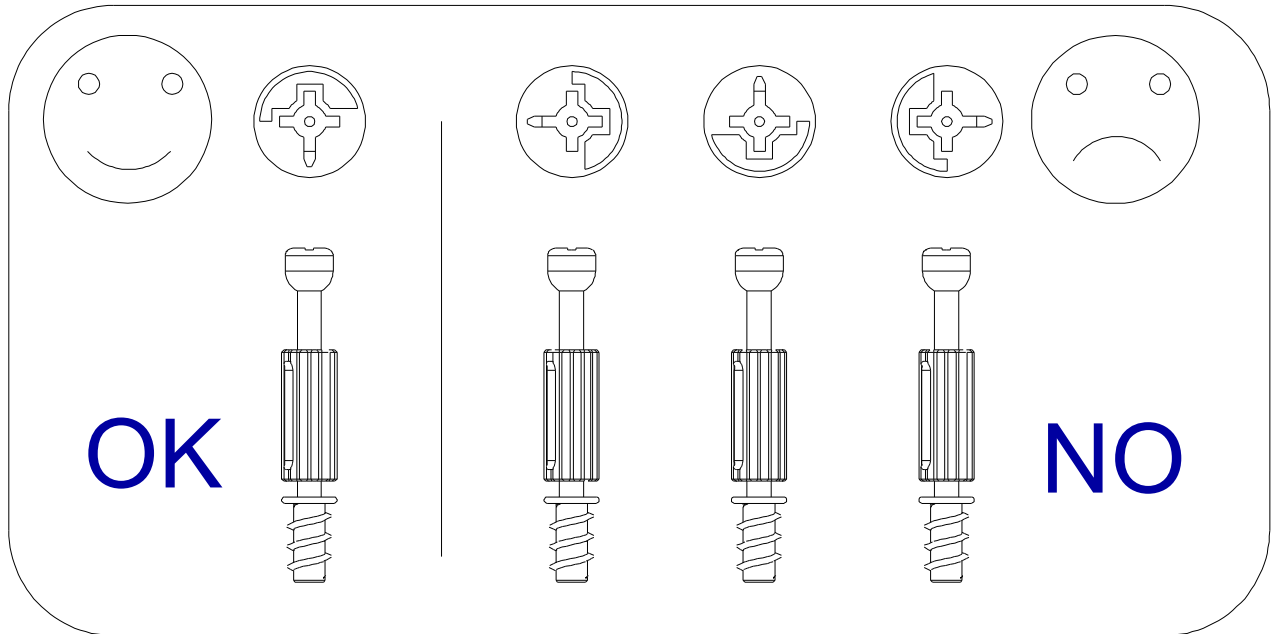
				
A x2	B x6	D x12	Z x4	F2 x8

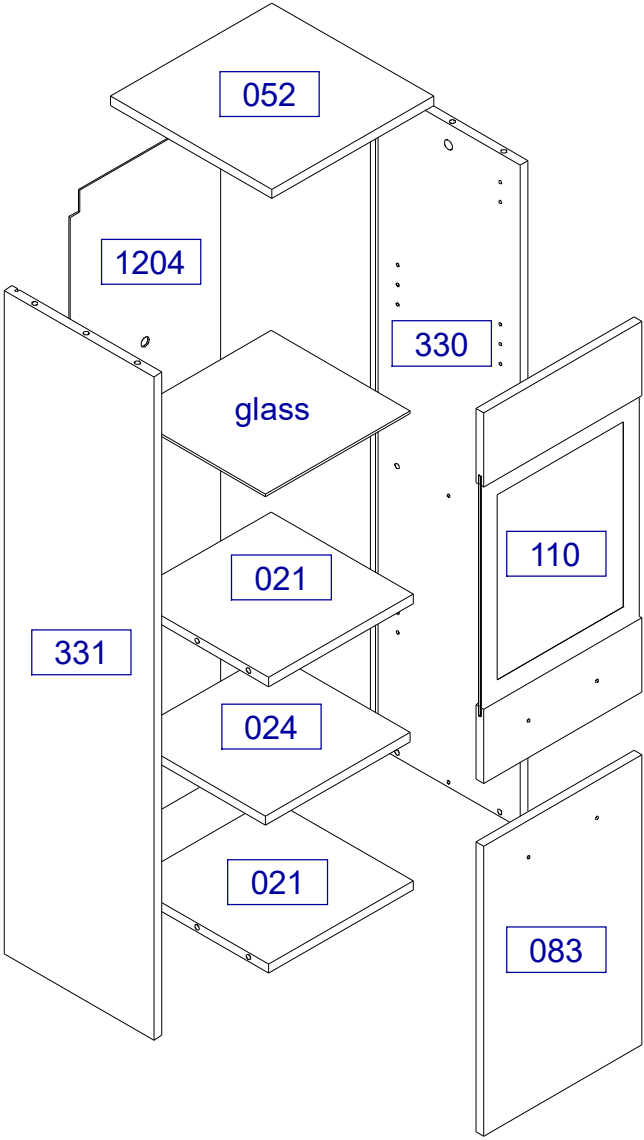
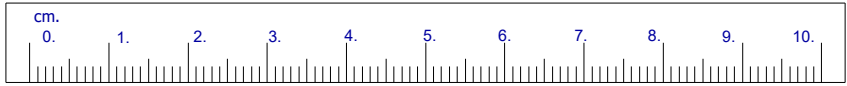
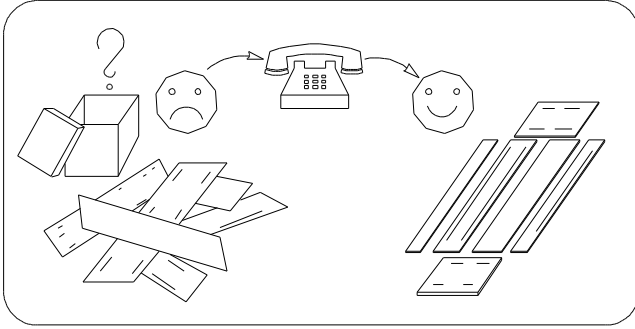
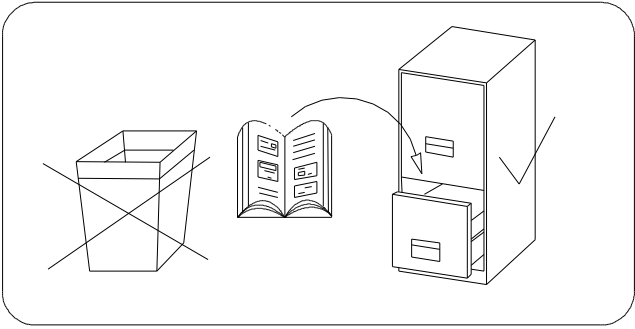
VIII - XII

			
I x6	L x4	F 2x	H5 x4



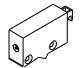

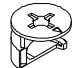
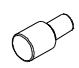


XIII

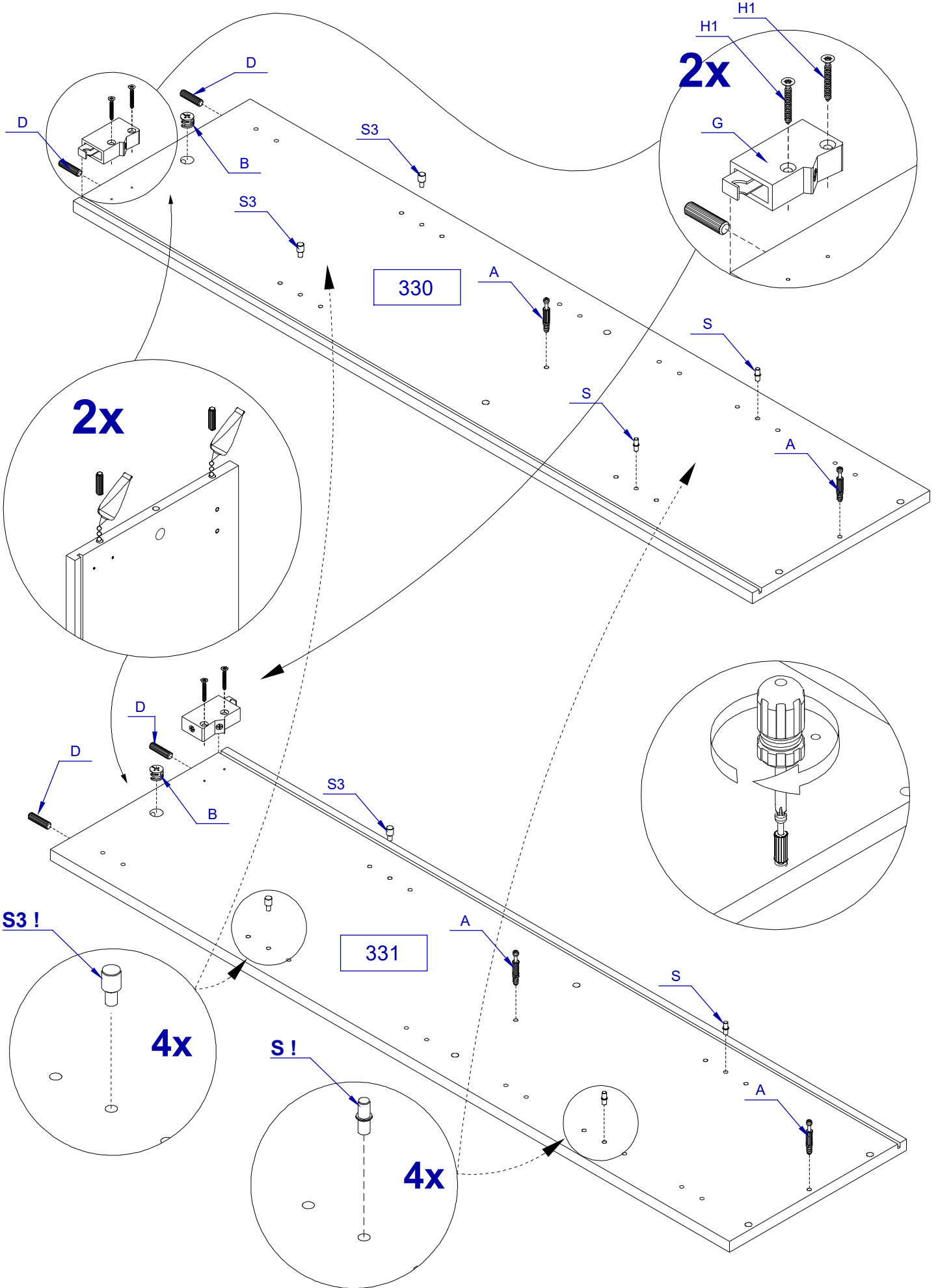

KR x2





I

							
R	H1	G	D	B	S3	S	A
x1	x4	x2	x4	x2	x8	x4	x4

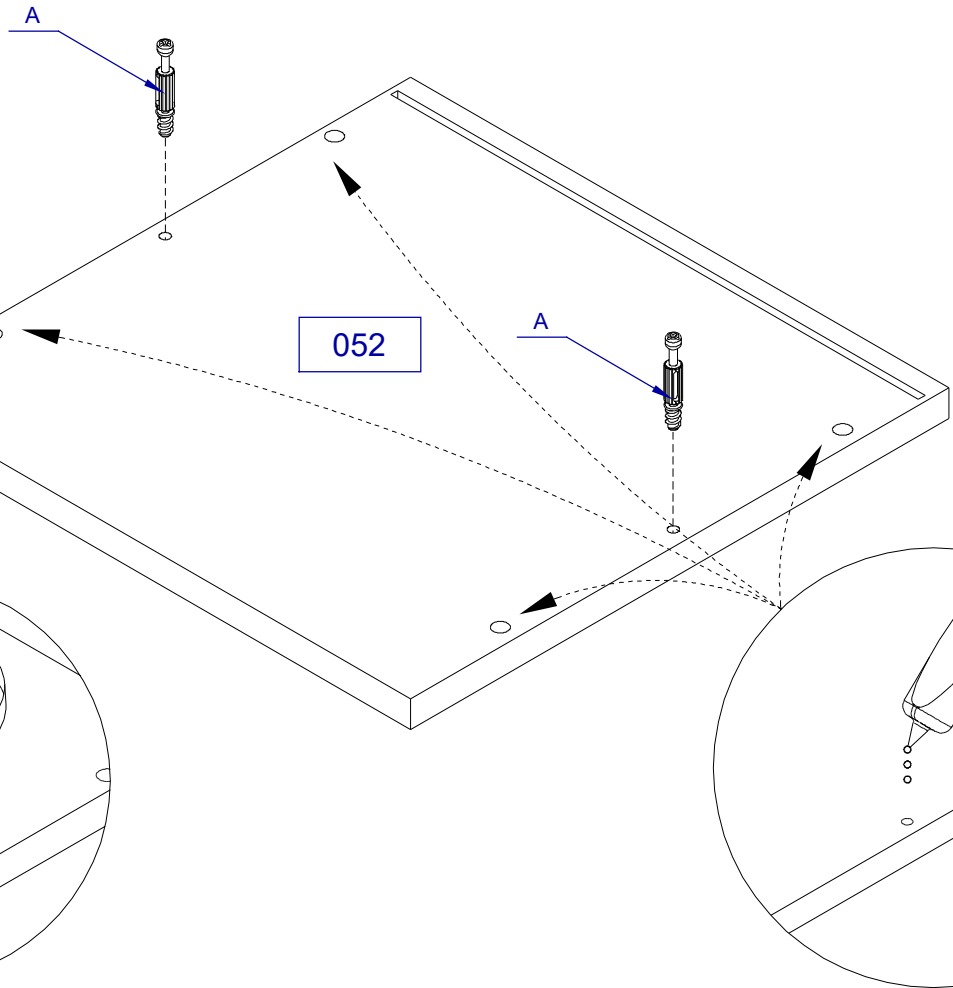


II

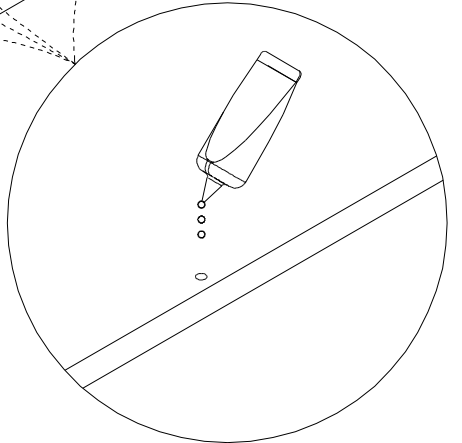
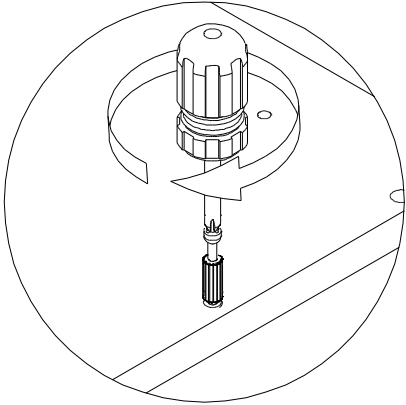


A

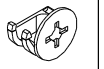
x2



052



III



B

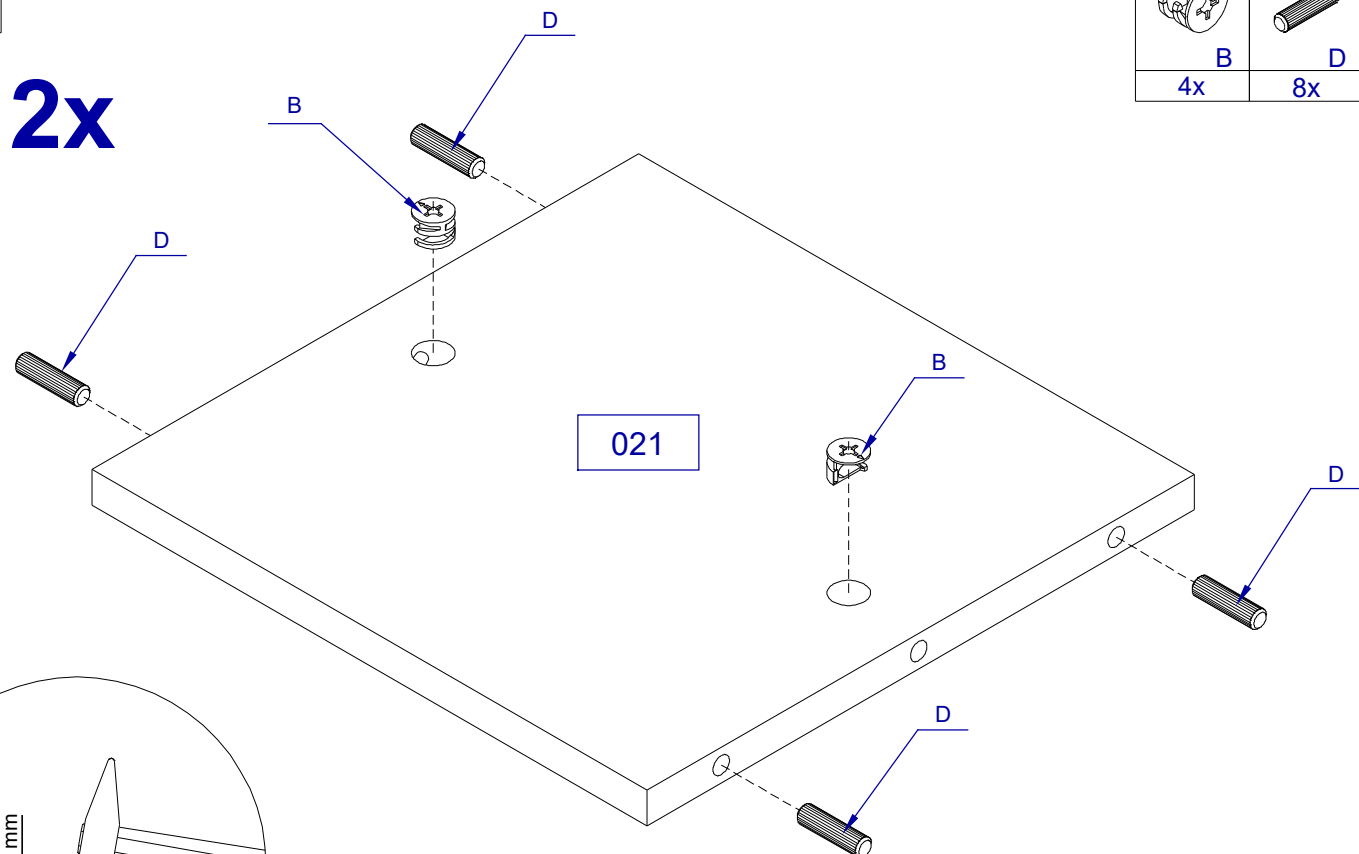
4x



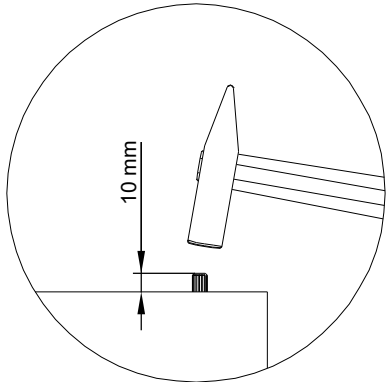
D

8x

2x

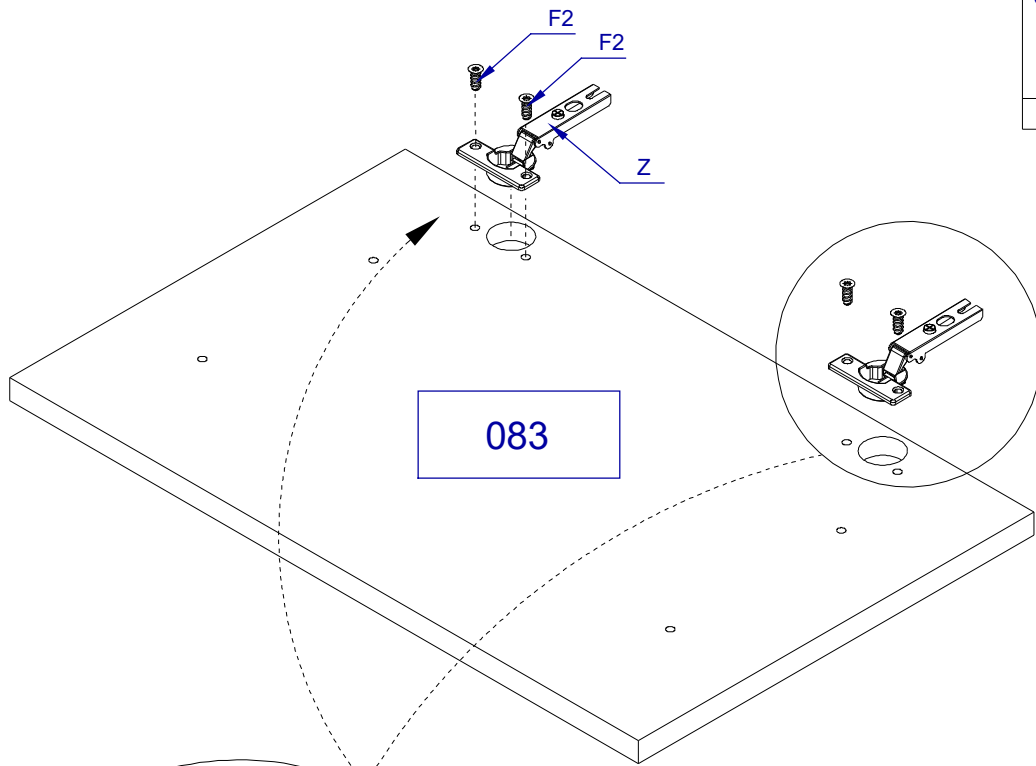



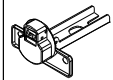
021



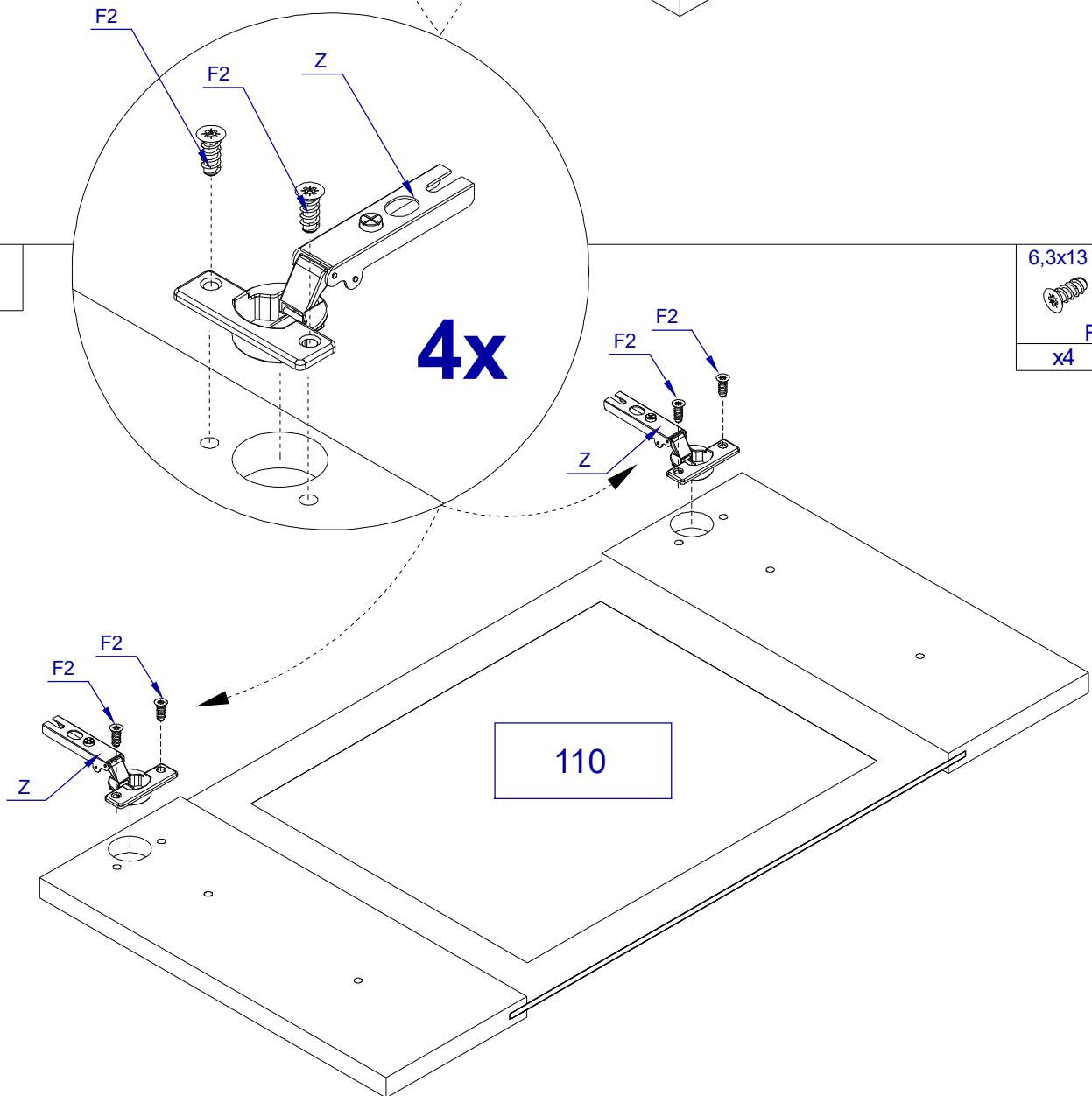
10 mm


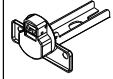
IV



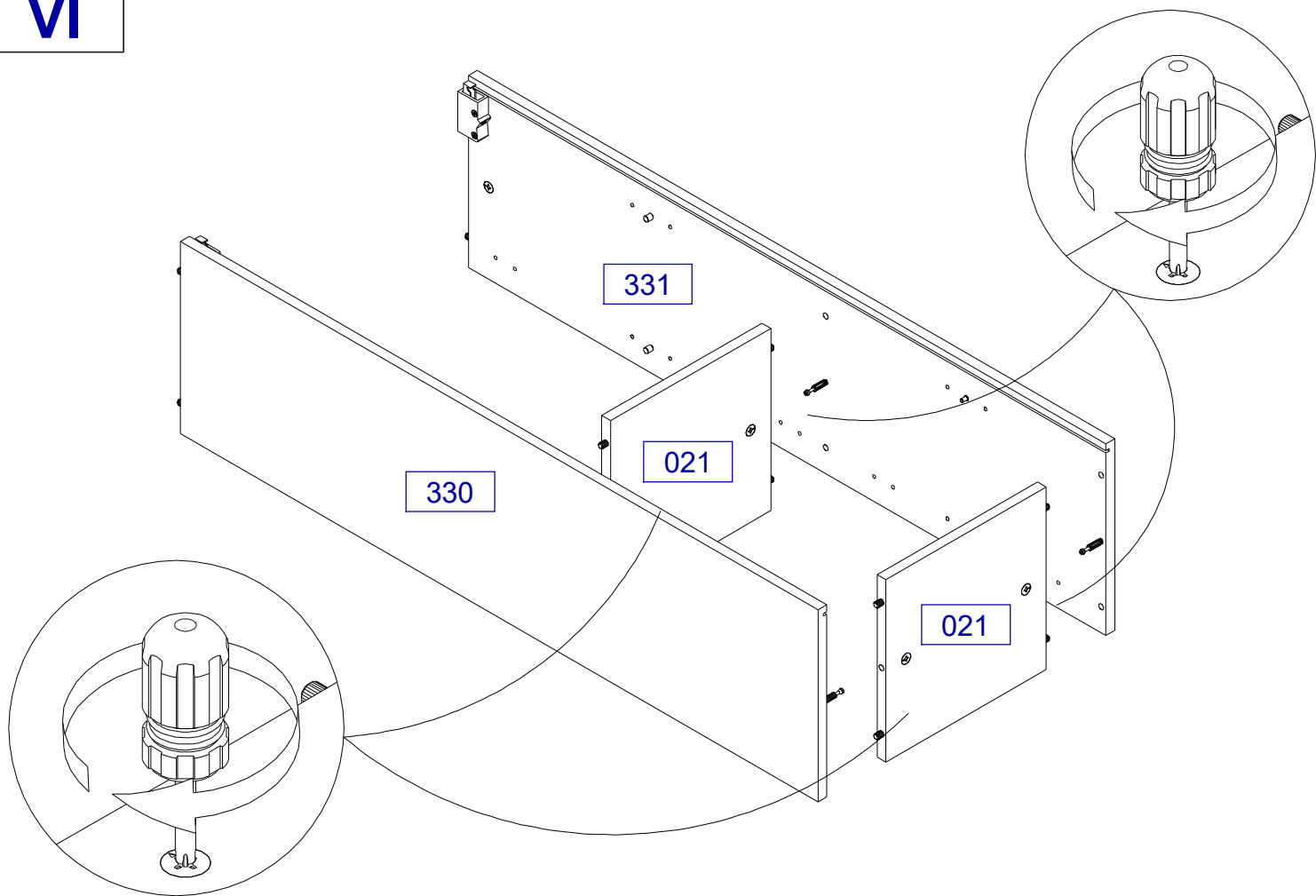
6,3x13		
	F2	Z
x4		x2

V

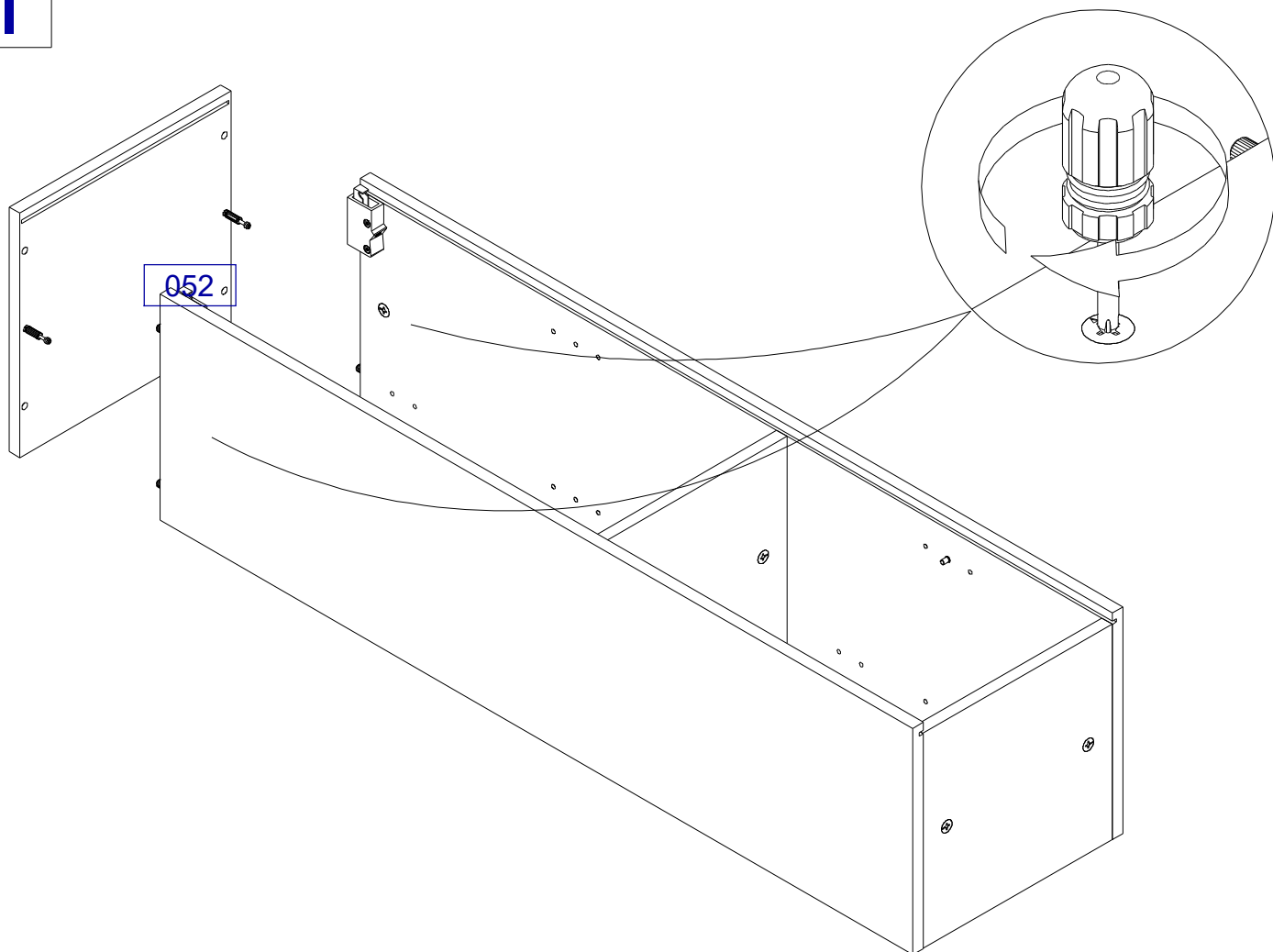


6,3x13		
	F2	Z
x4		x2

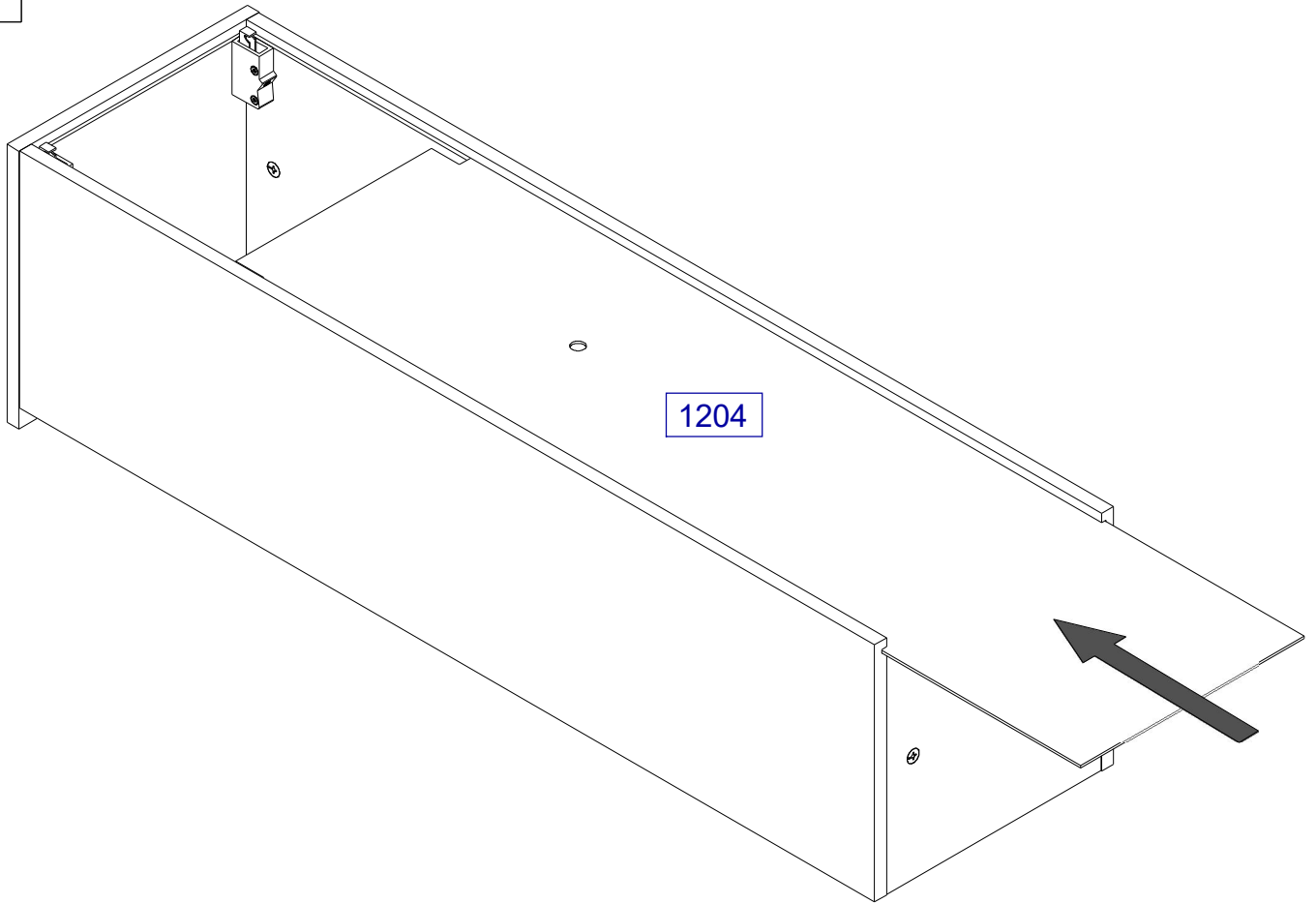
VI



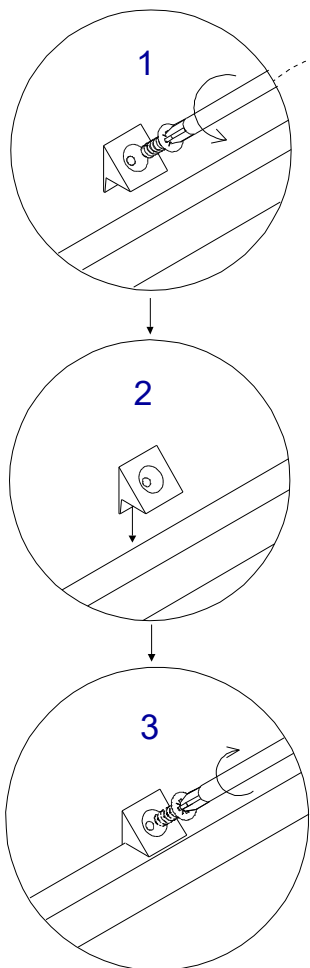
VII



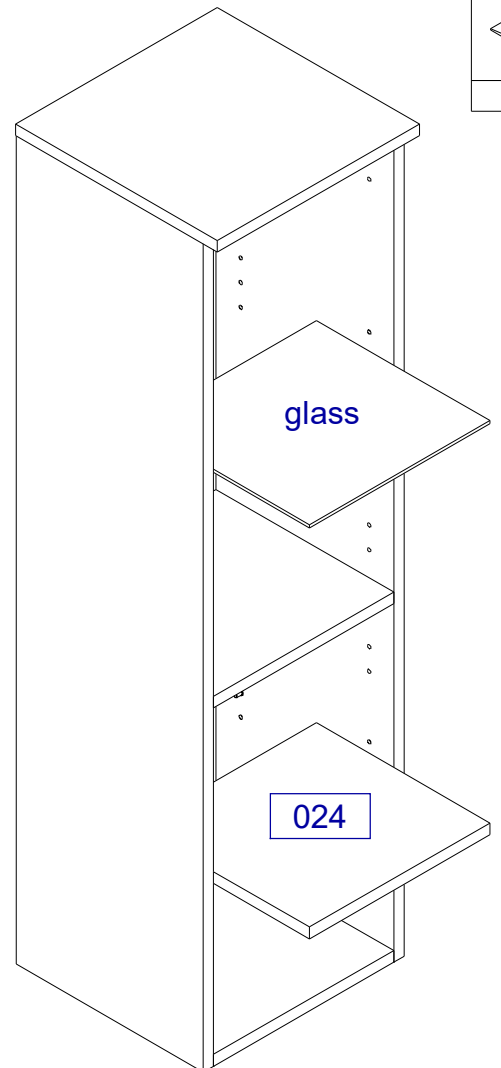
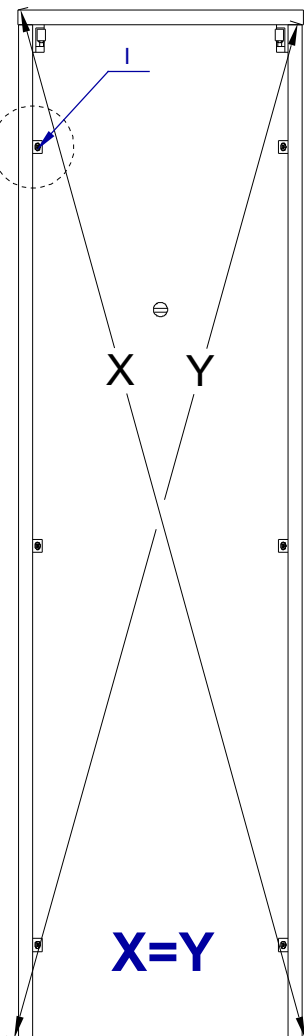
VIII



IX

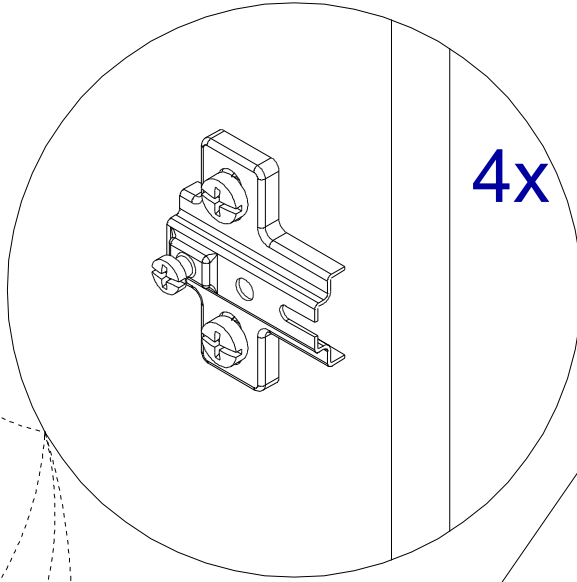
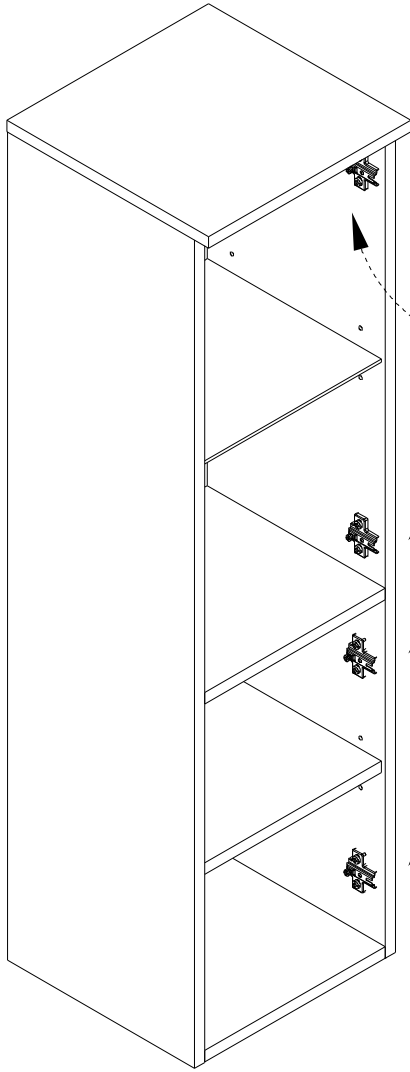


6x



X

R



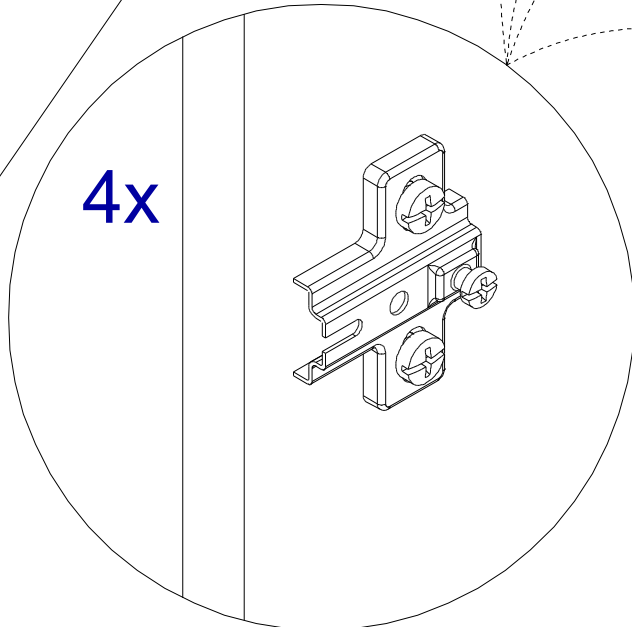
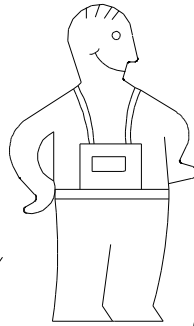
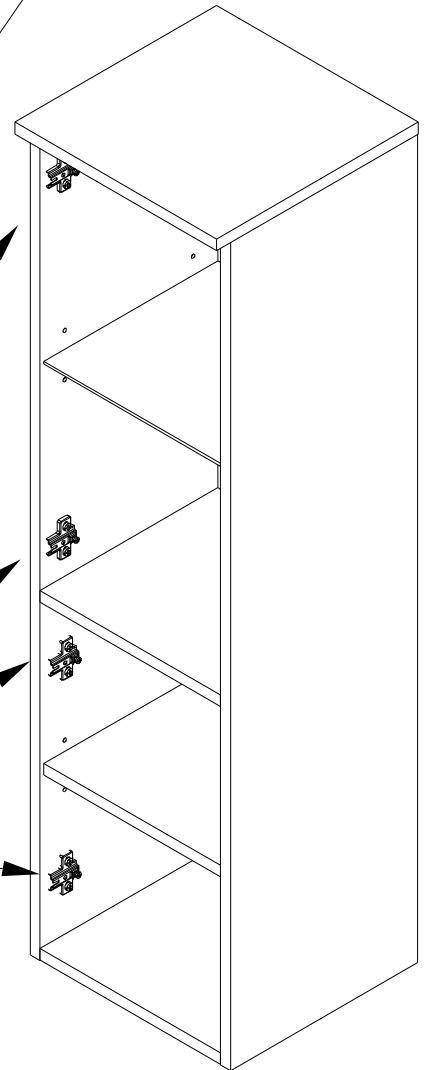
4x



L

x4

L



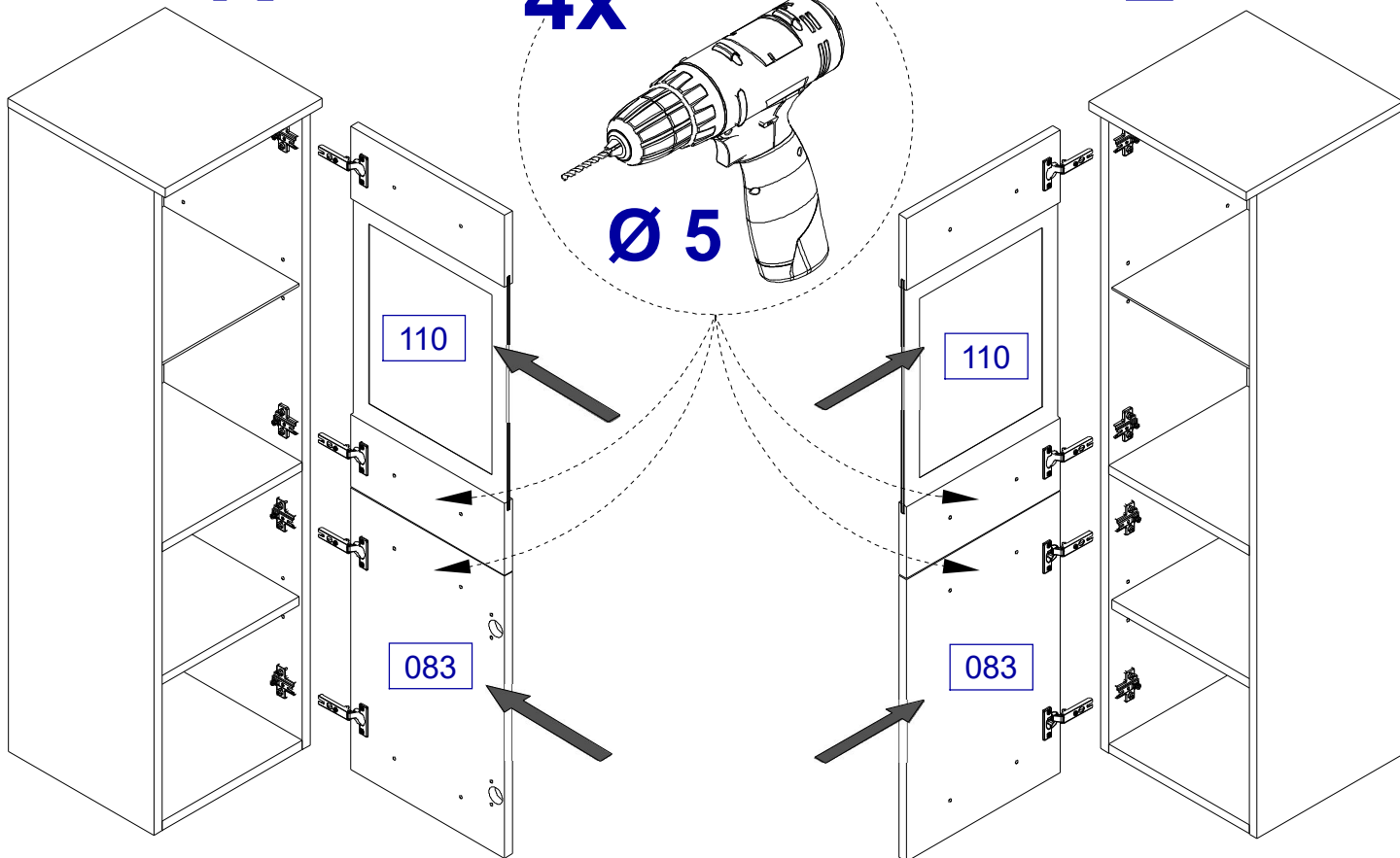
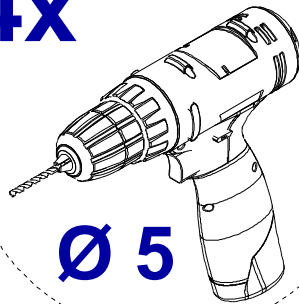
4x

XI

R

4x

L



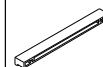
XII

4x27



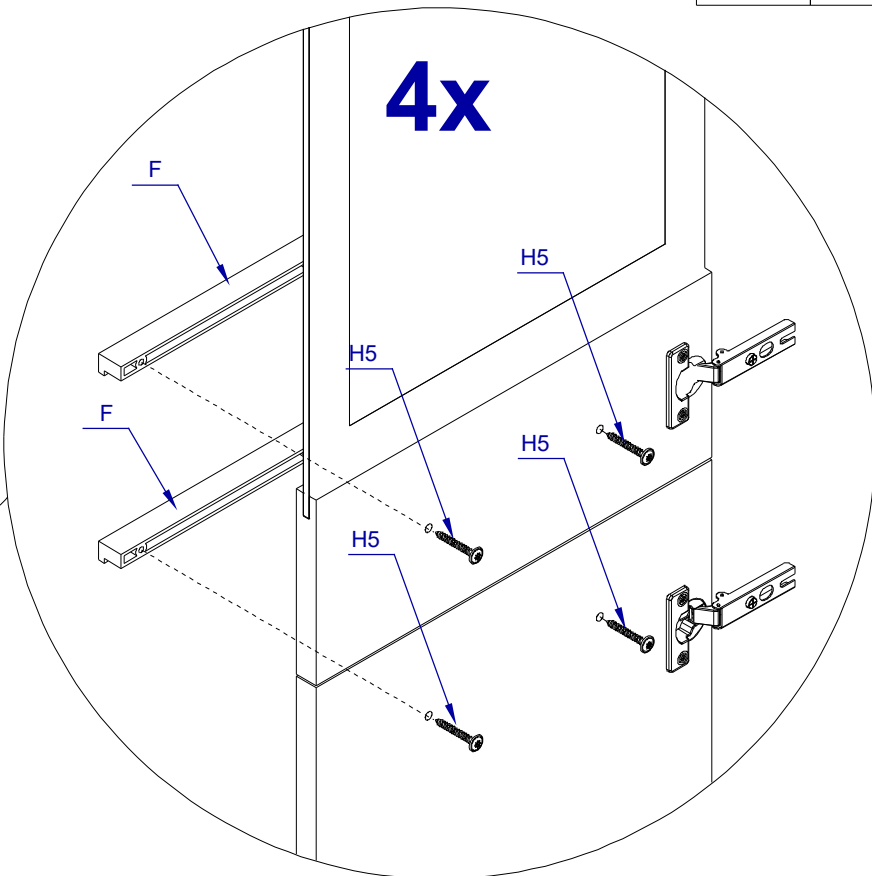
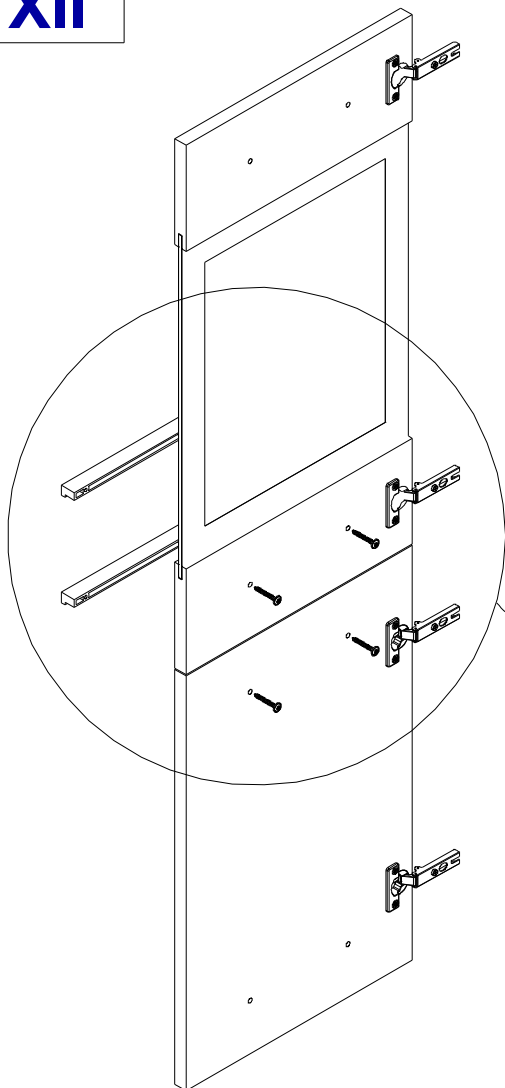
H5

x4



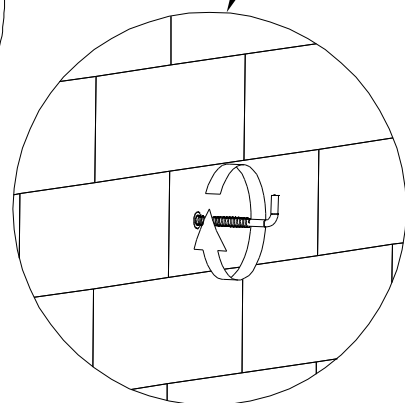
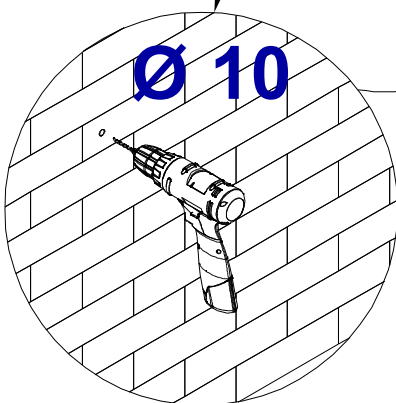
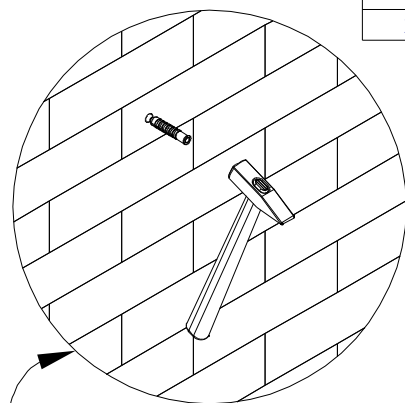
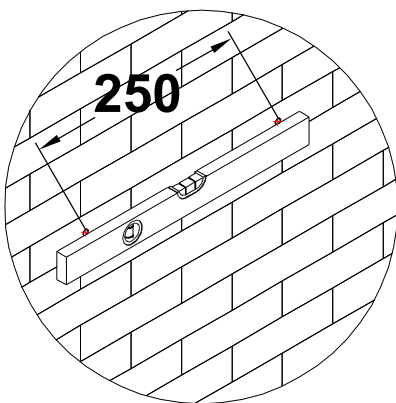
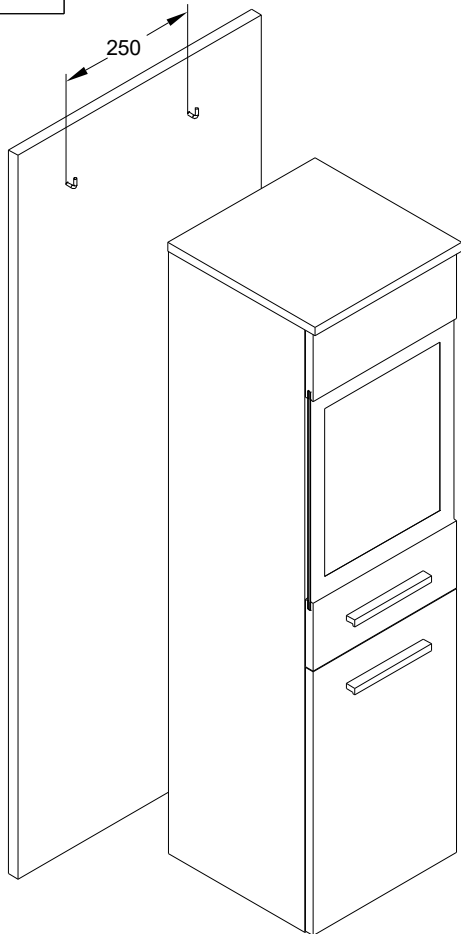
F

2x

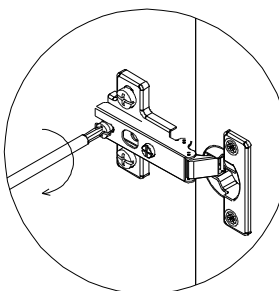
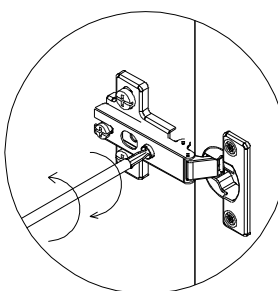
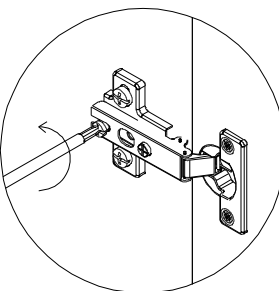
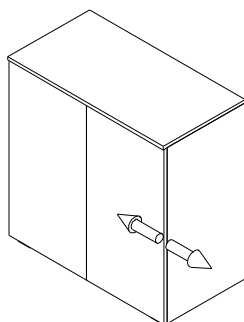
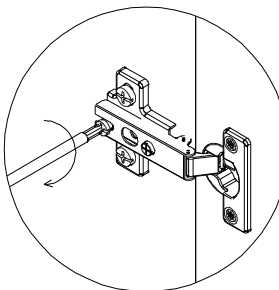
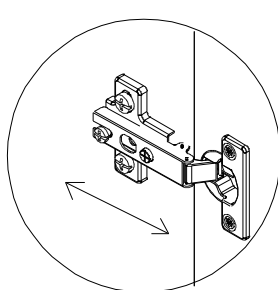
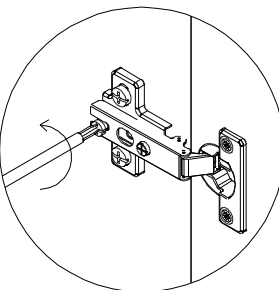
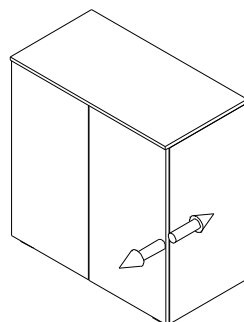
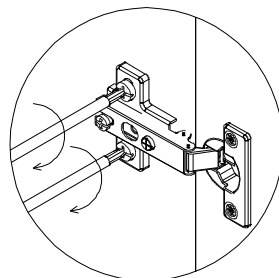
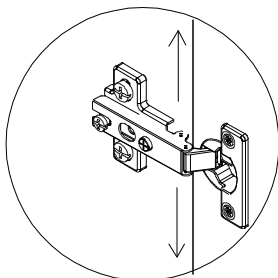
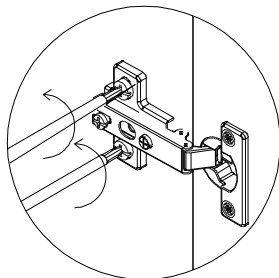
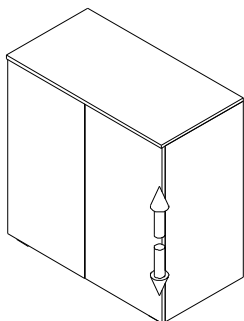


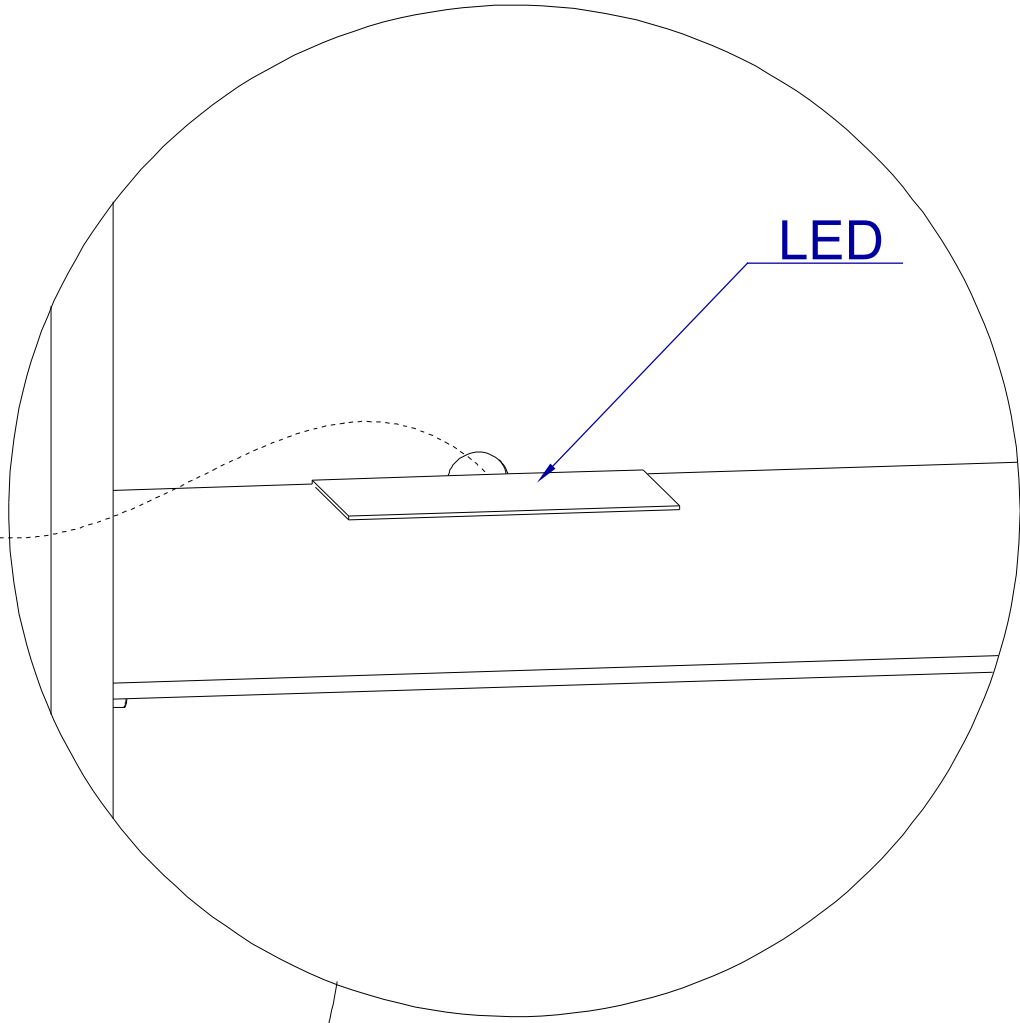
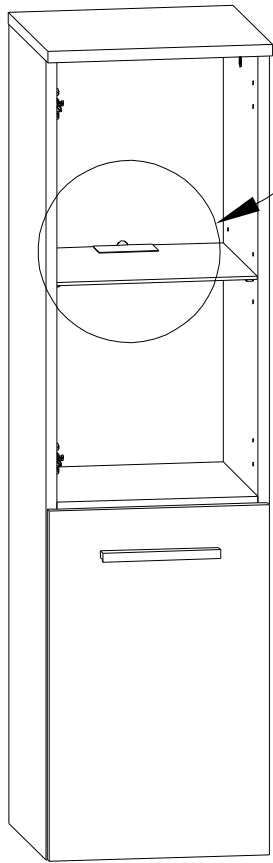
XIII

10 mm
KR
x2



XIV





LED