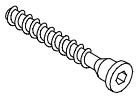
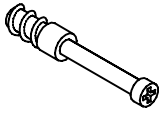

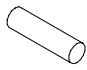
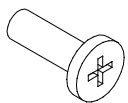
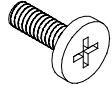
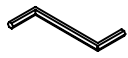
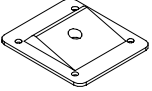

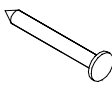
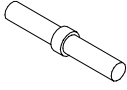
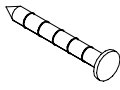
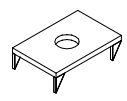
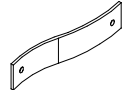

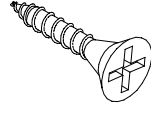
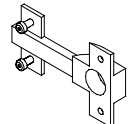
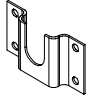
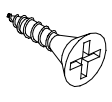

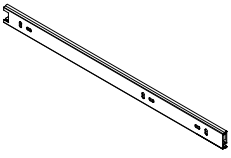
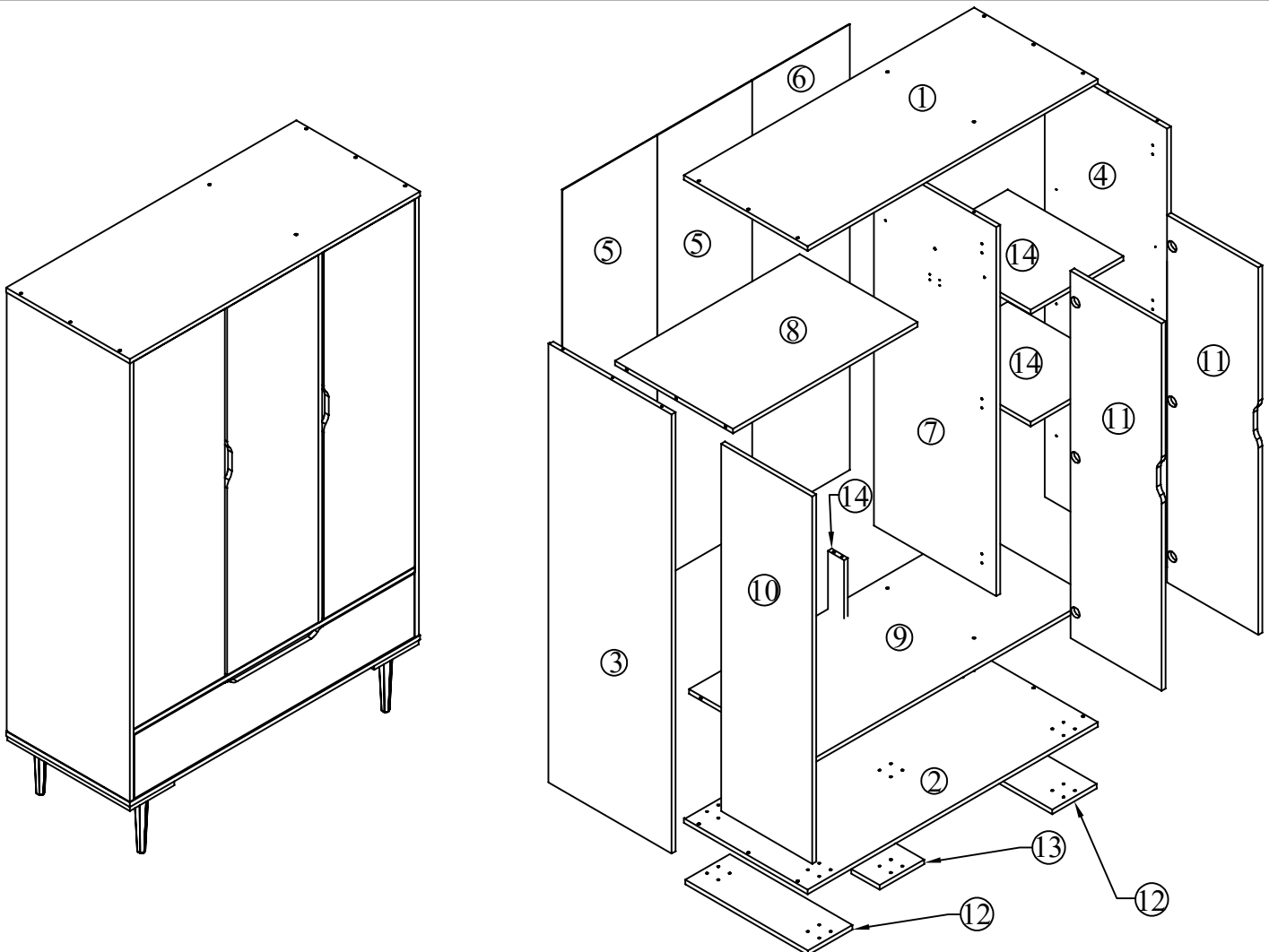
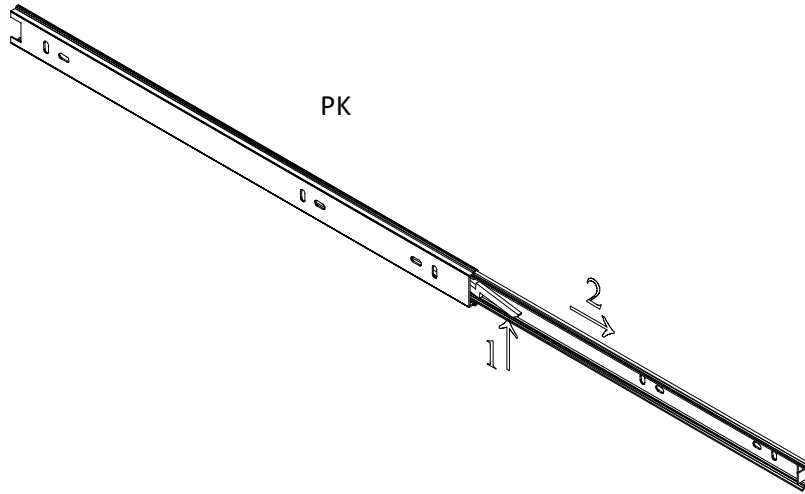


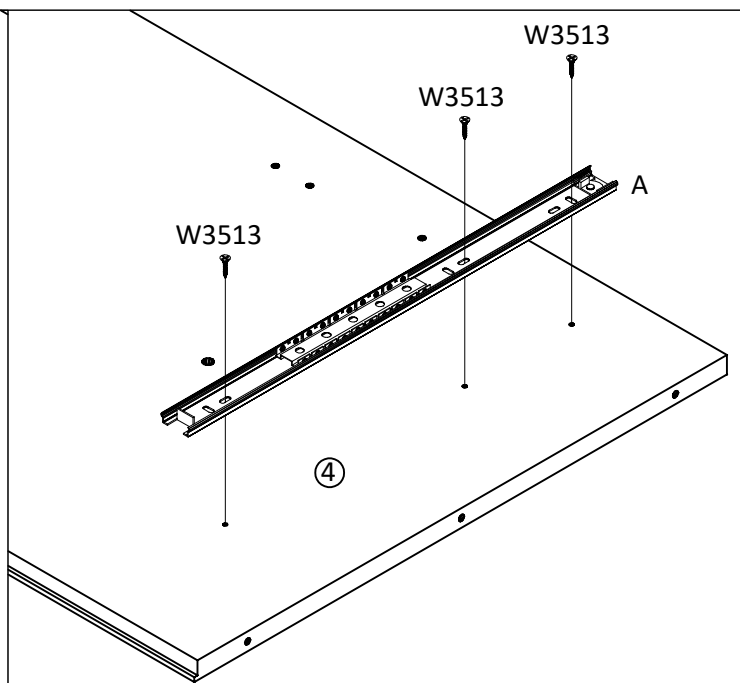
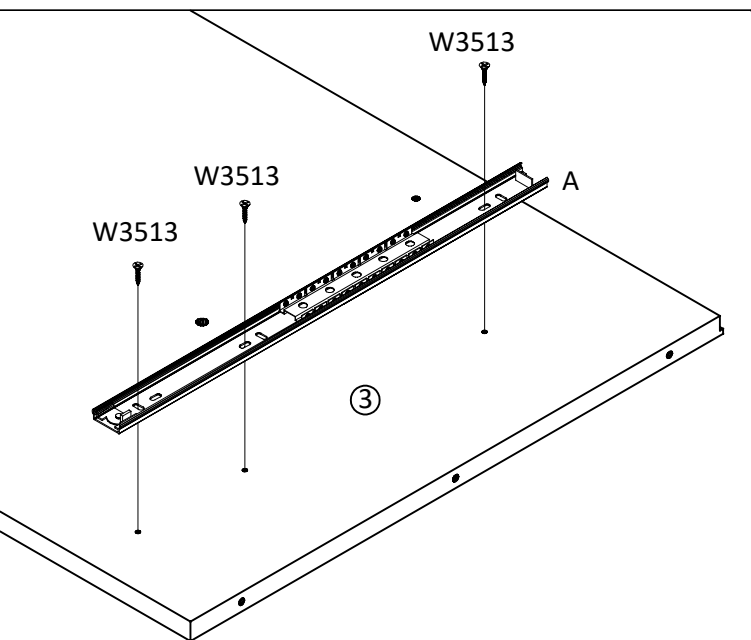
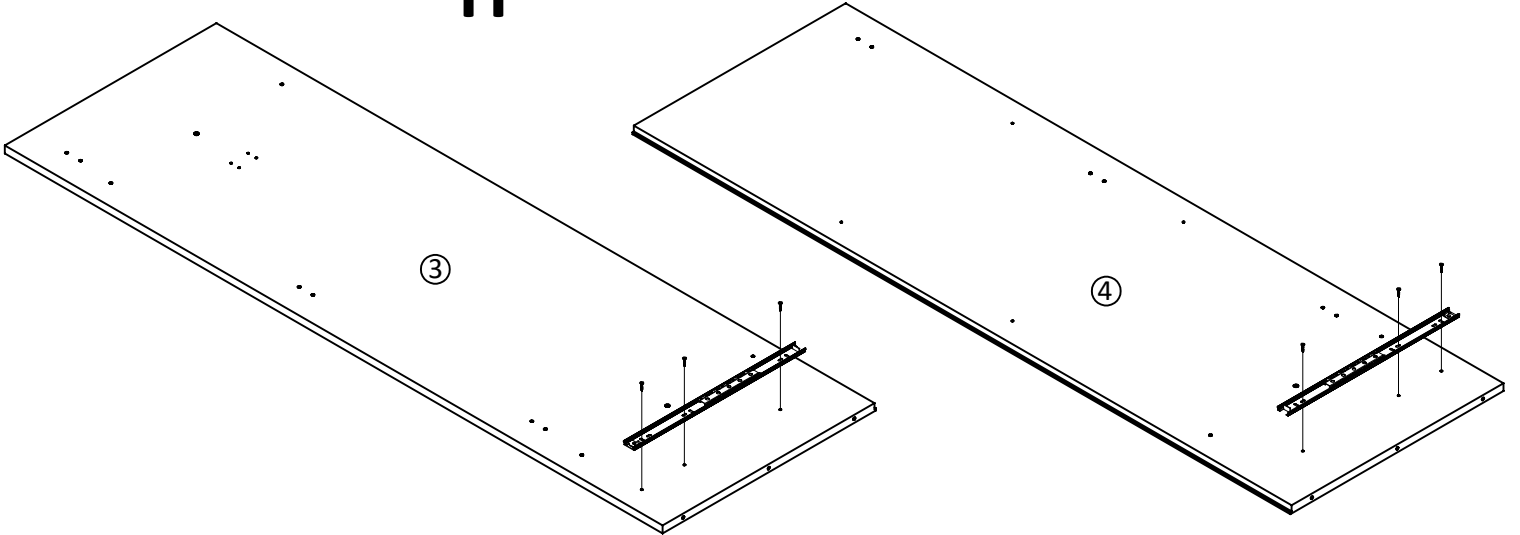
7x50  WK5 x22	 MT x12	 M x12	8x30  D8 x6	 Z431 x20	 S416 x20	 A01 x1
 N10 x5	 NS1 x5	 A02 x60	 A04 x8	2.5x25  A09/1 x4	 A09 x4	 A06 x2
 A05 x2	3.5x16  W3516 x20	 ZL x9	 D0 x4	3.5x13  W3513 x20	 D5 x1	
 PK x2						



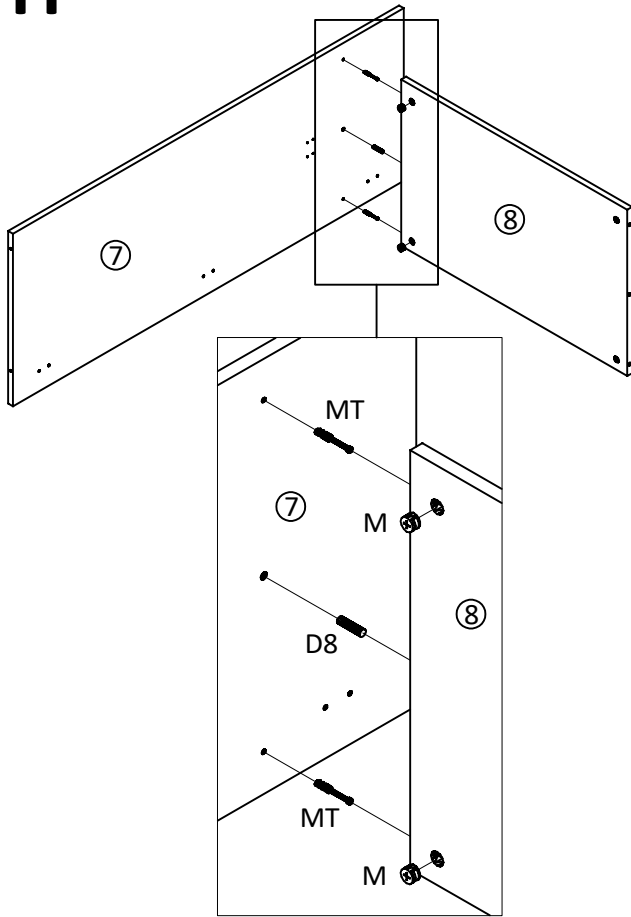
I



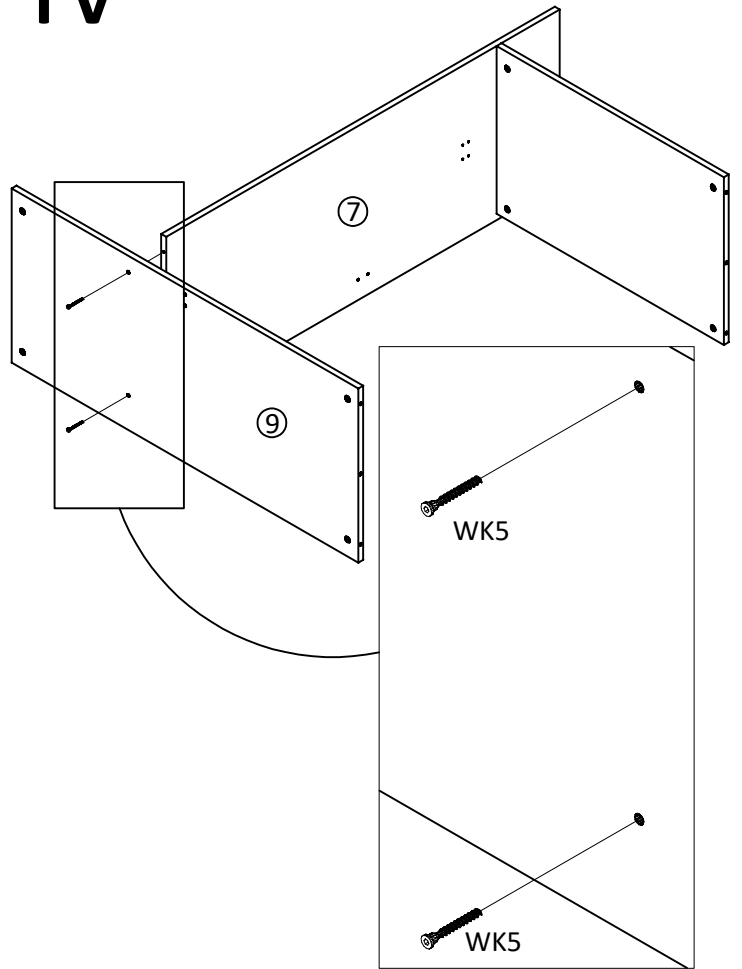
II



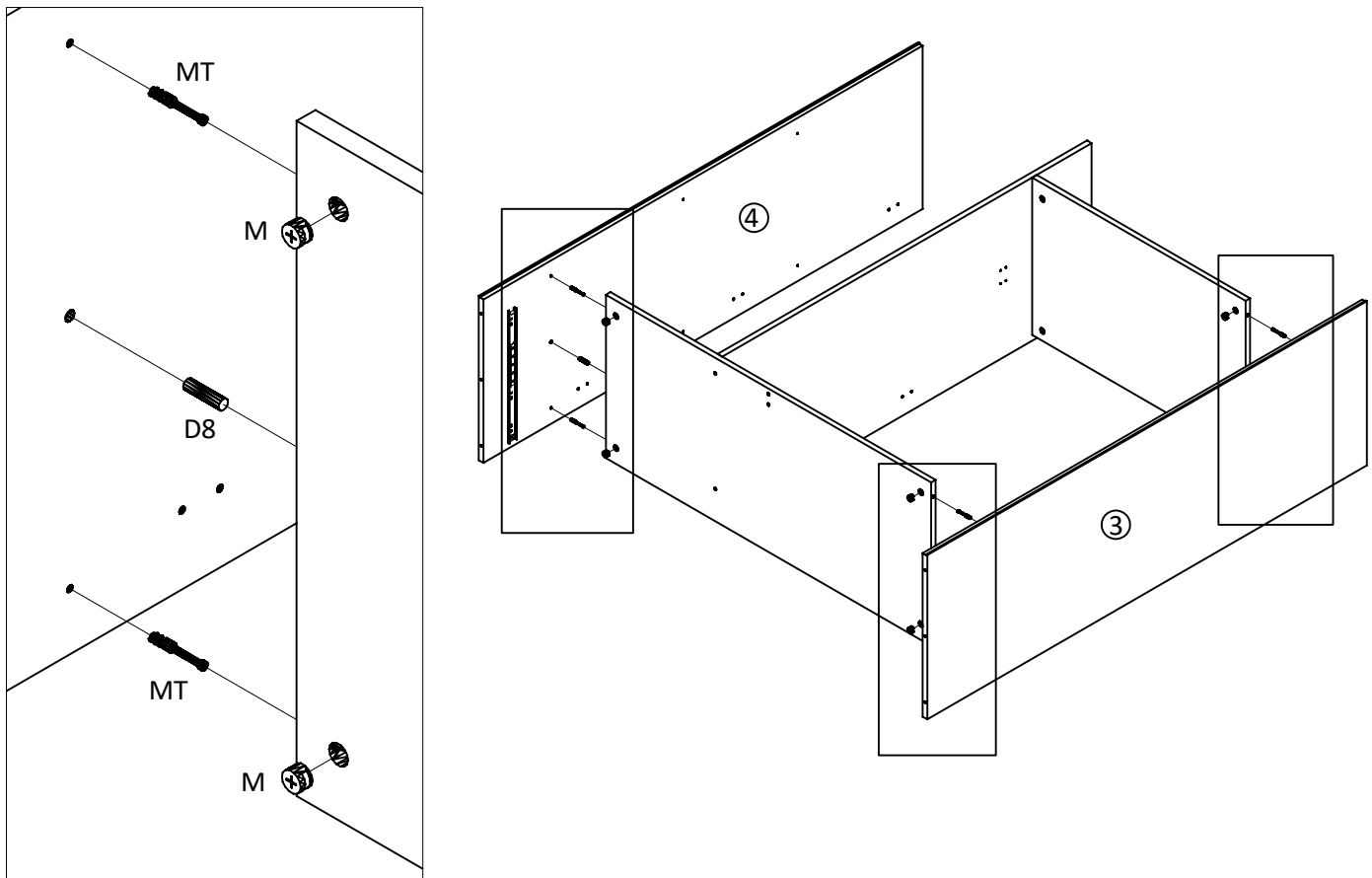
III



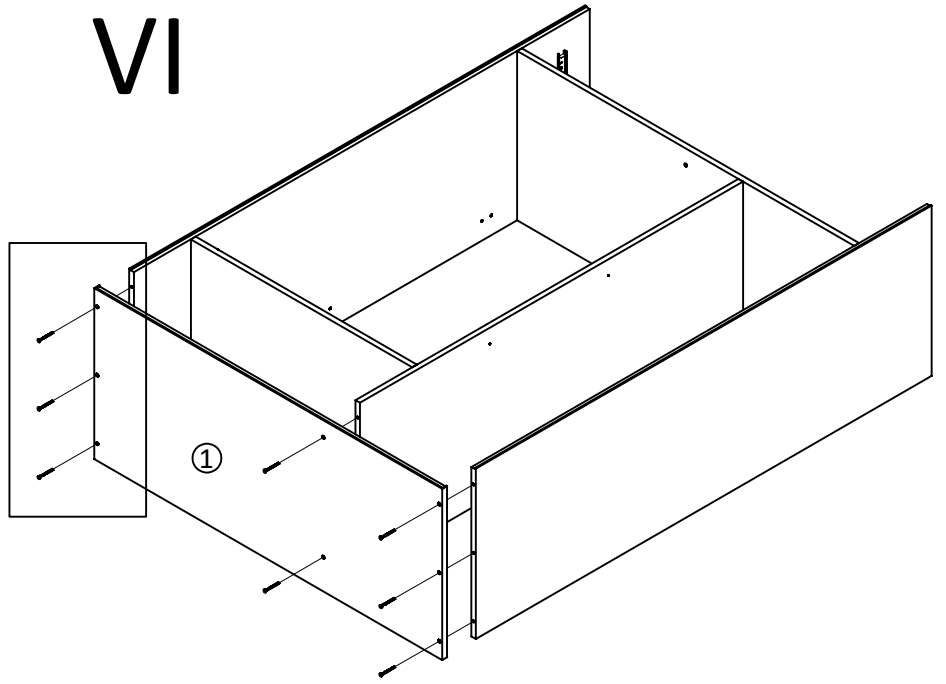
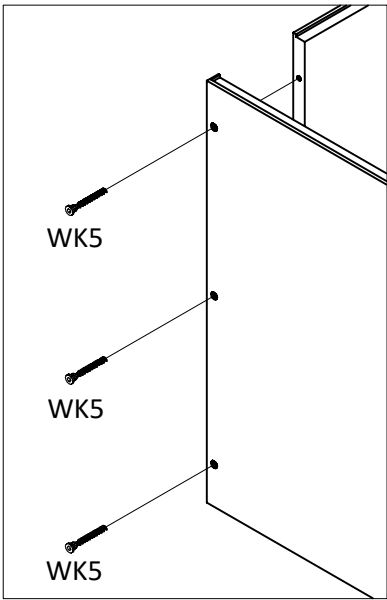
IV



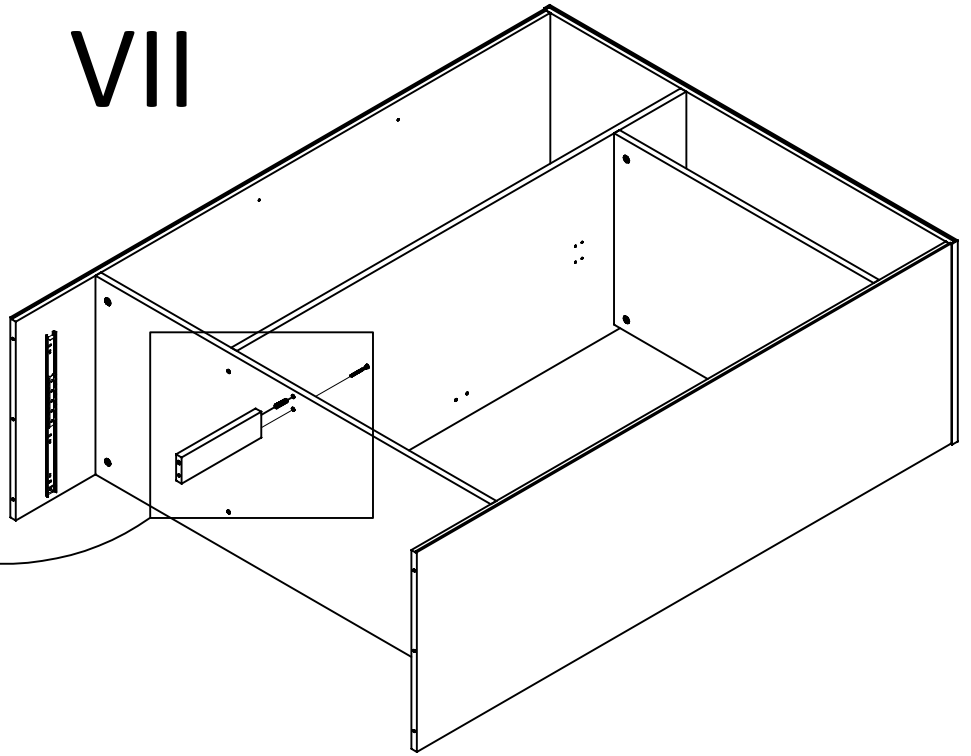
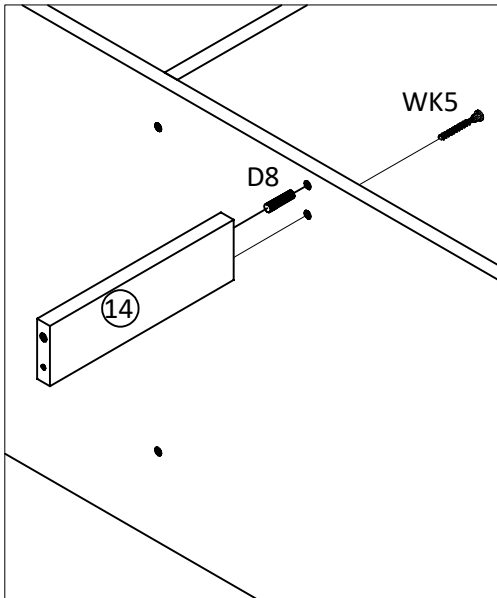
V



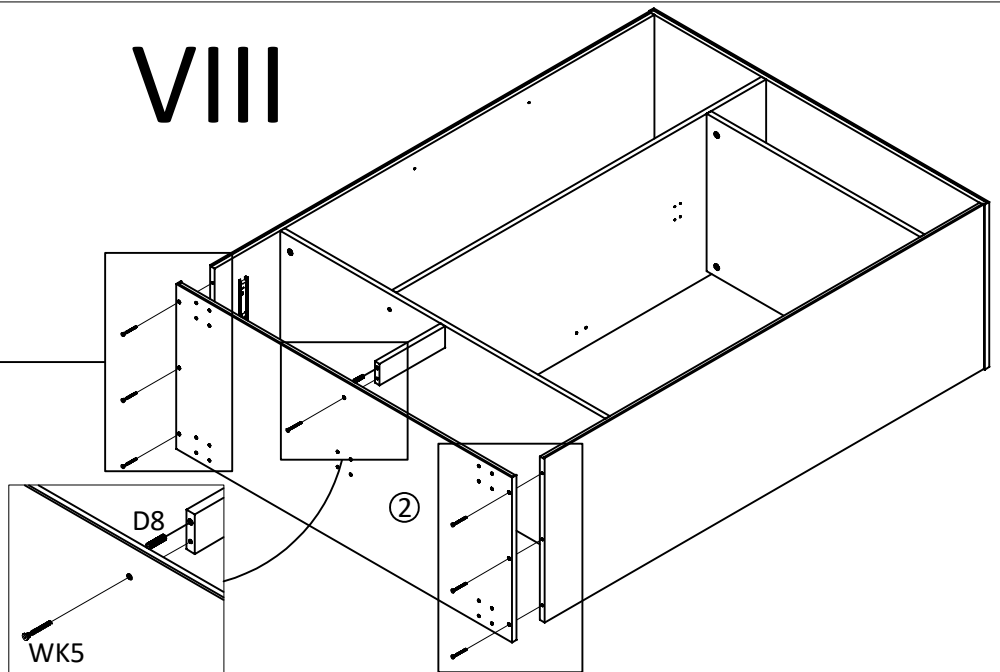
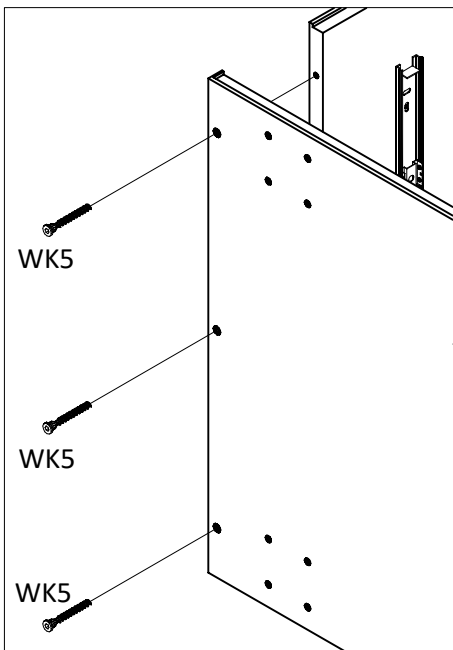
VI



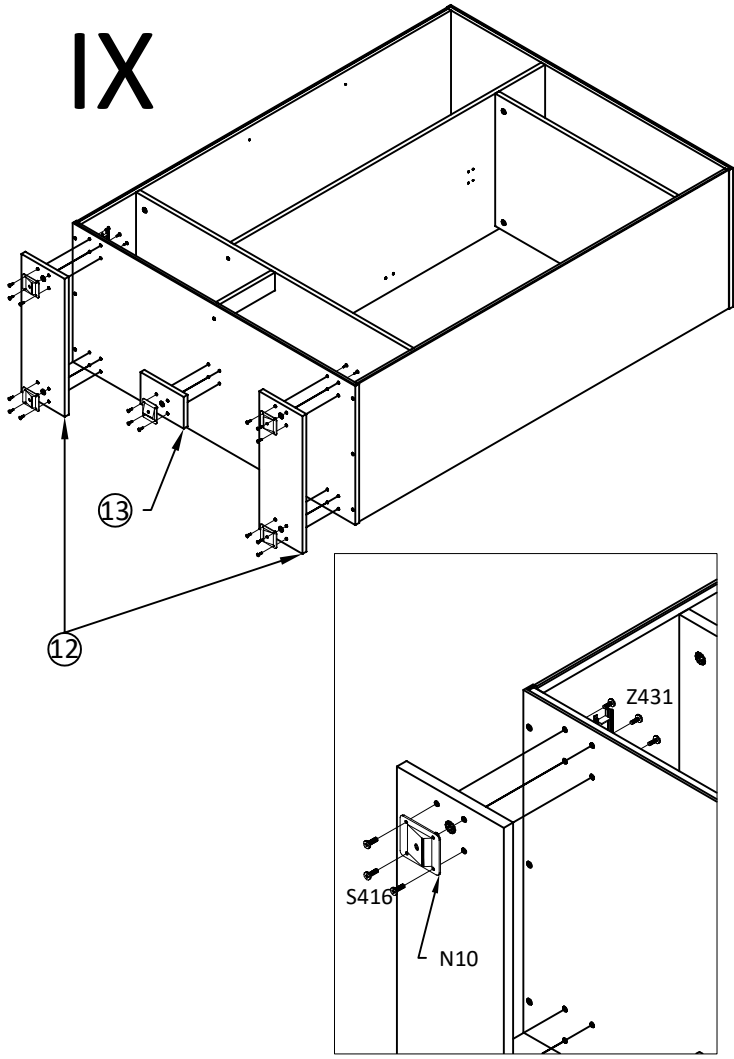
VII



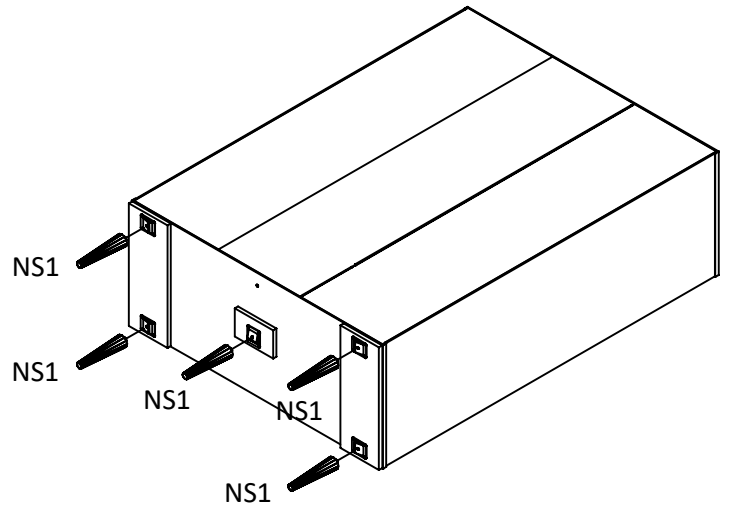
VIII



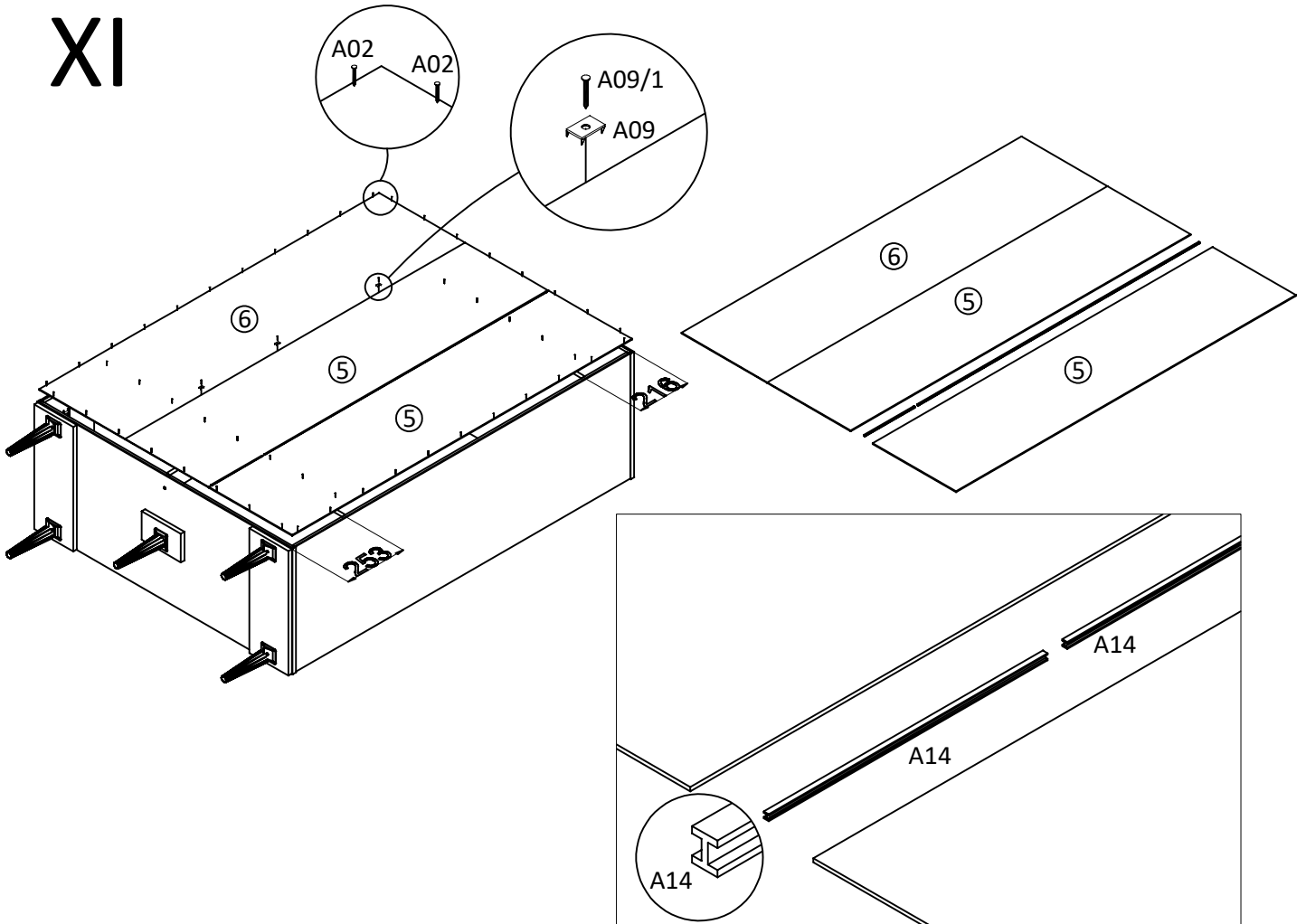
IX



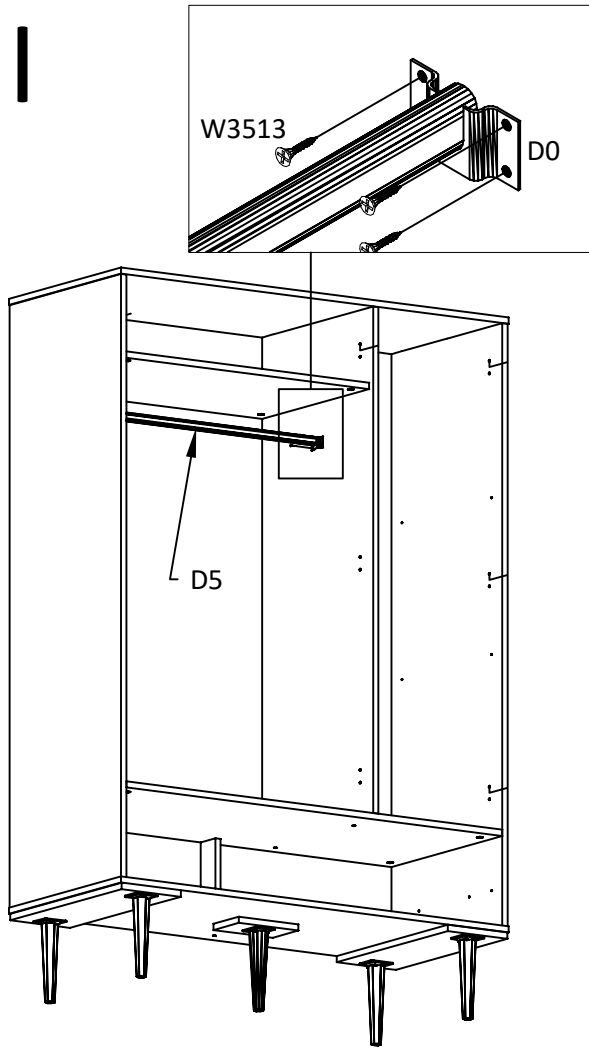
X



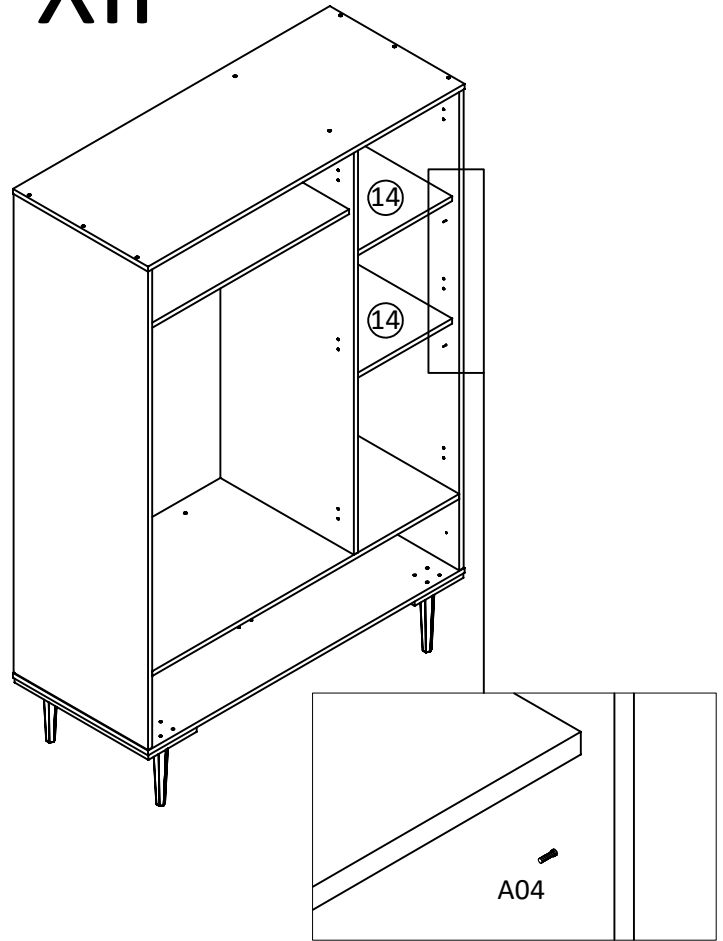
XI



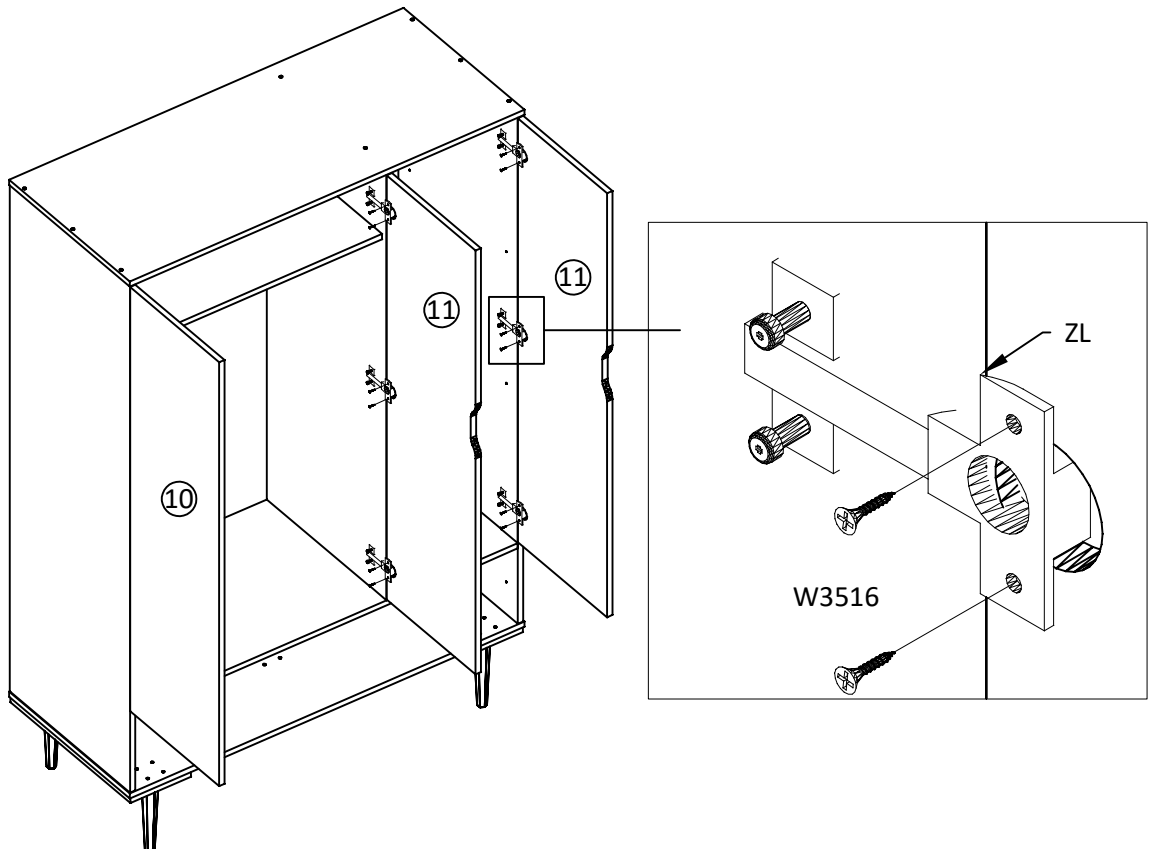
XII



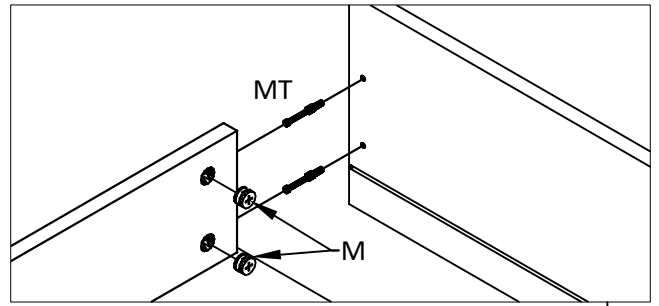
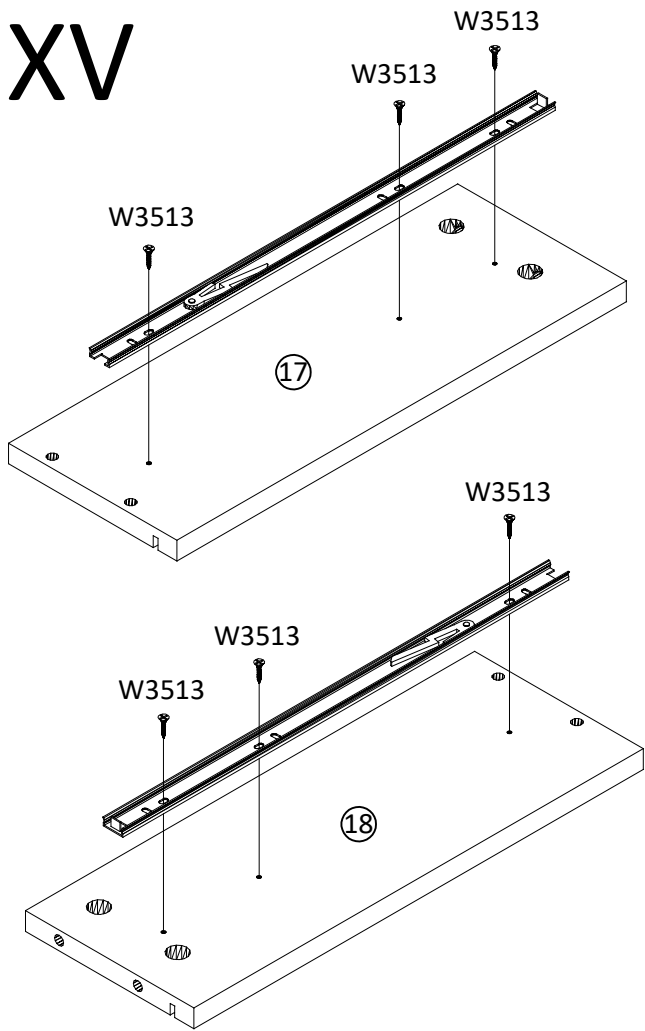
XII



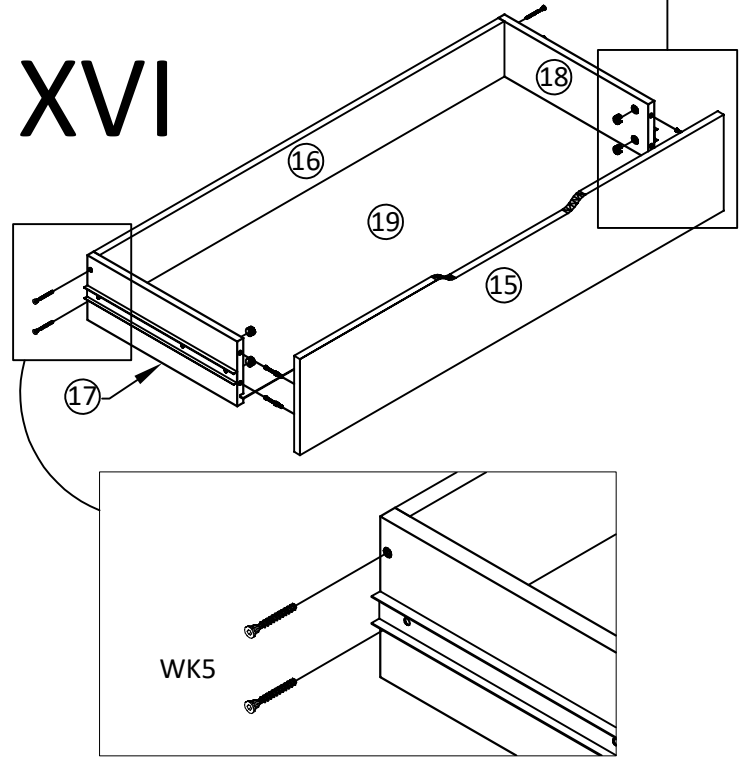
XIV



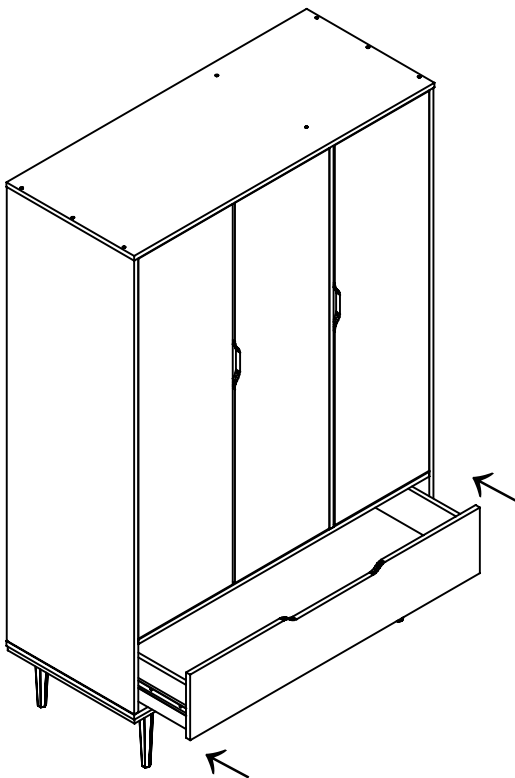
XV



XVI



XVII



XVIII

