



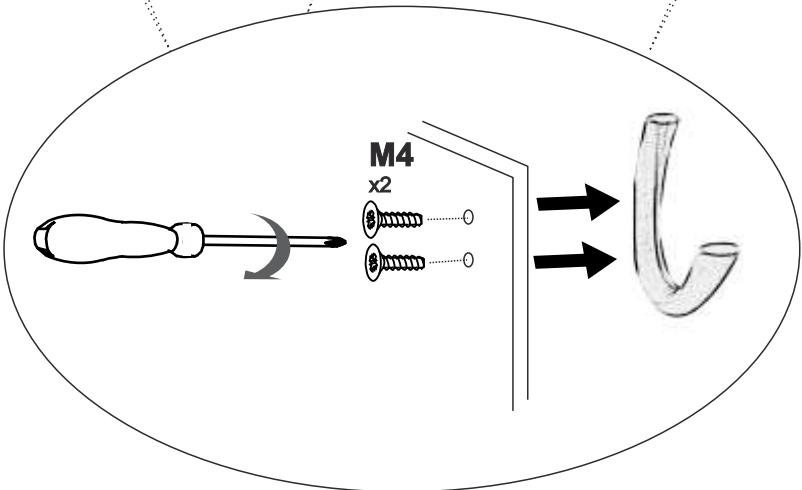
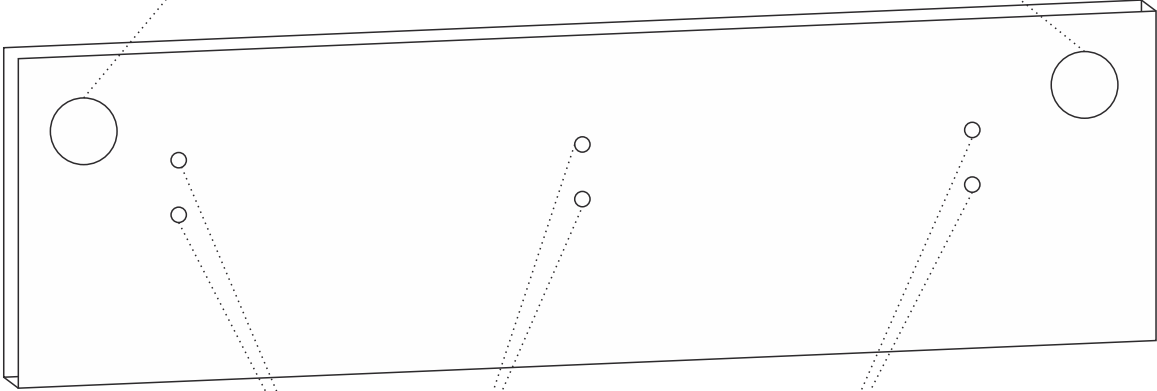
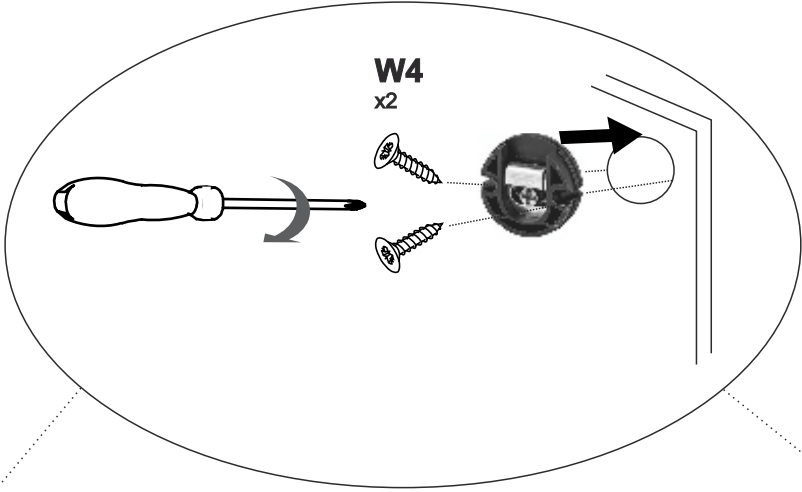
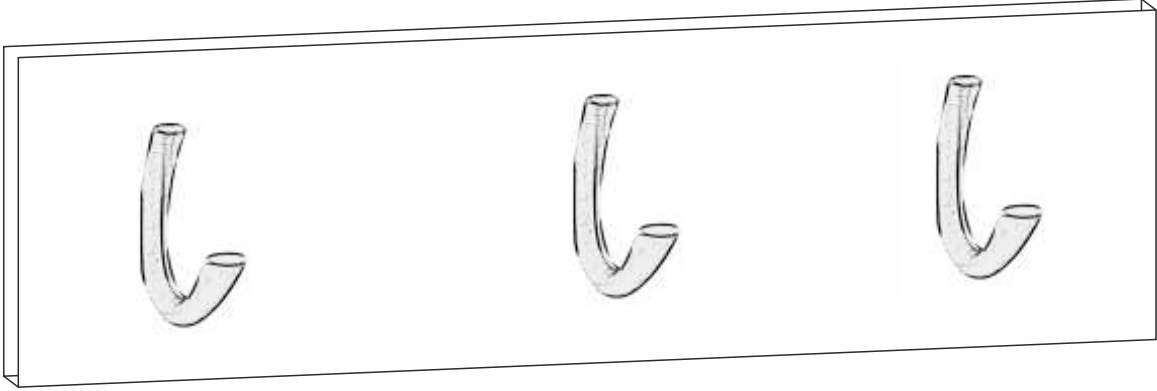
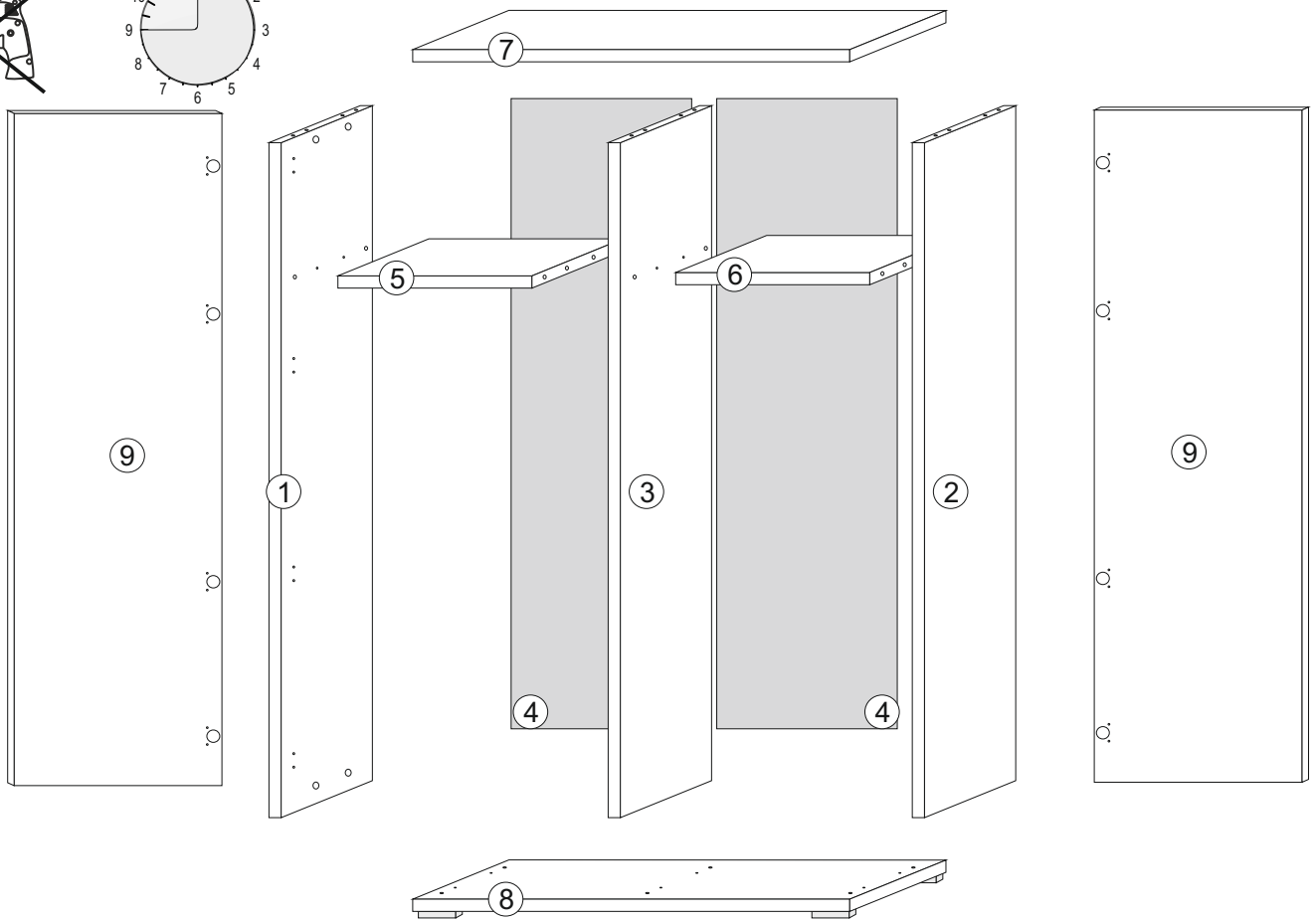
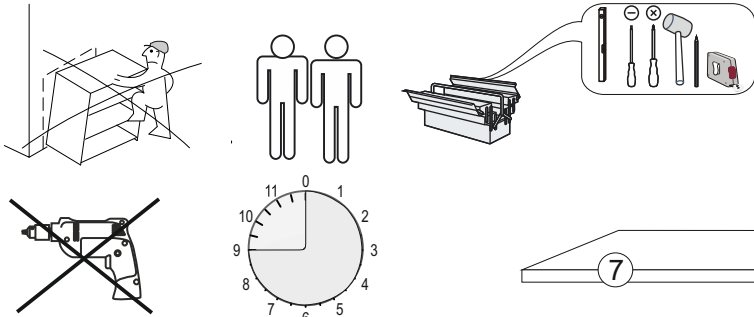
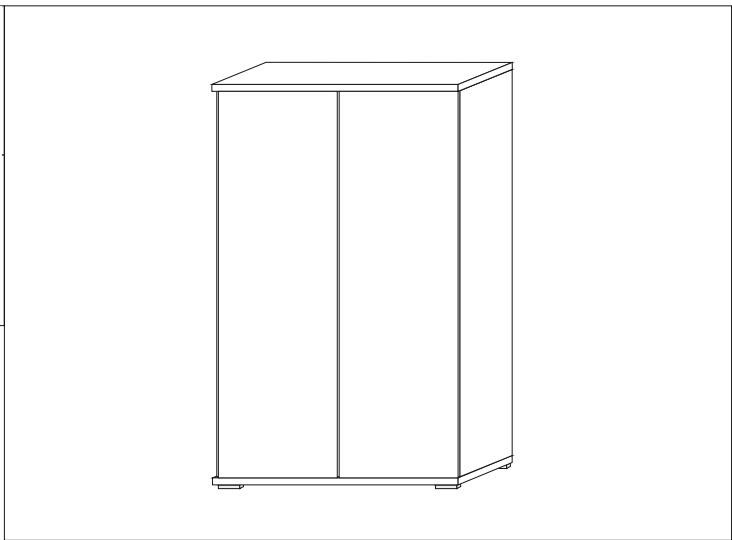
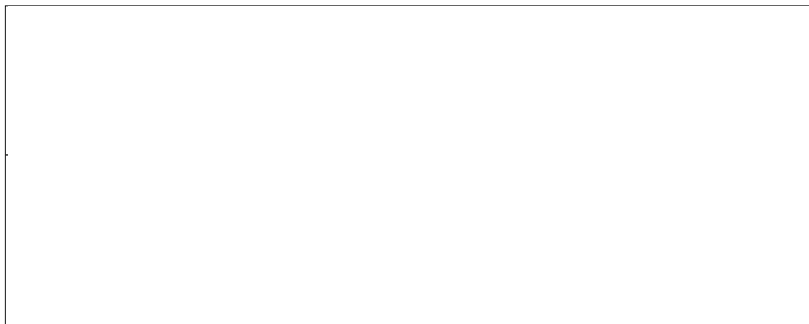
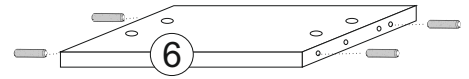
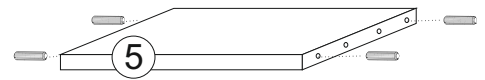
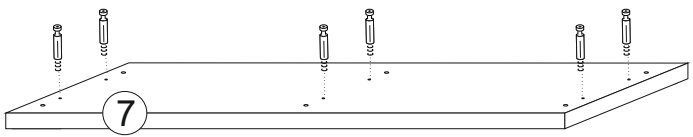
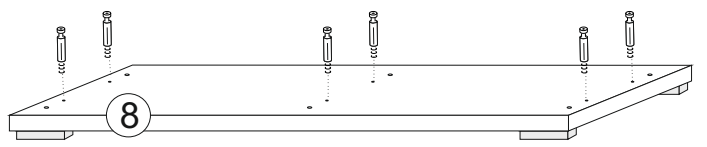
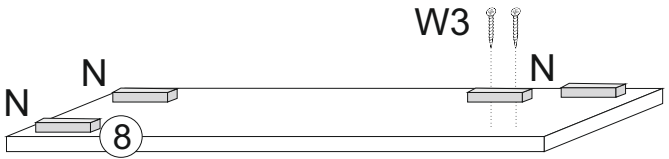
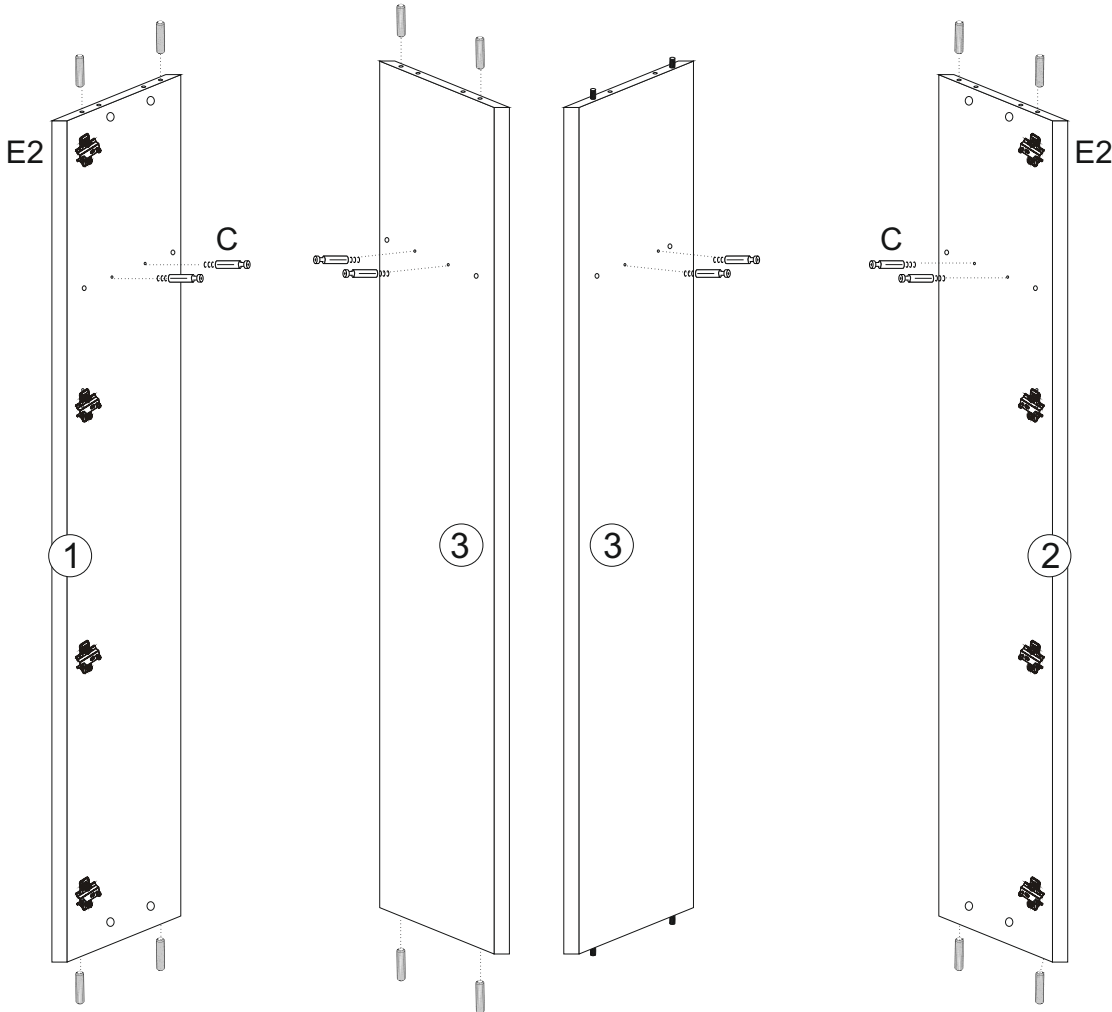
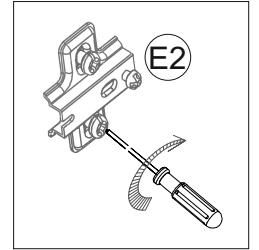
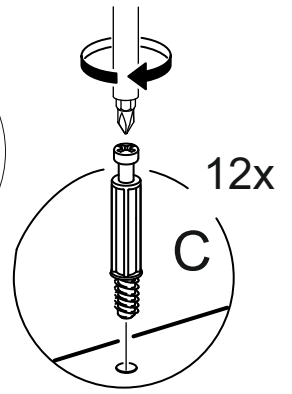
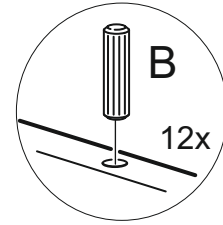
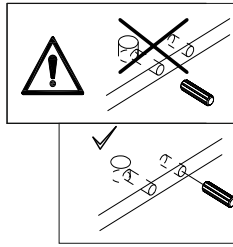
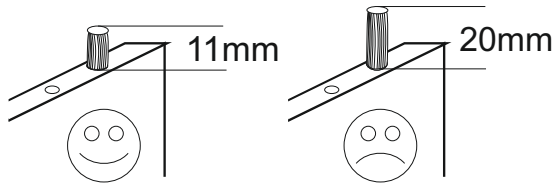
	M4 25mmx4  x6	 x3	 x2	W4 16mmx3,5  x4
---	--	---	---	--



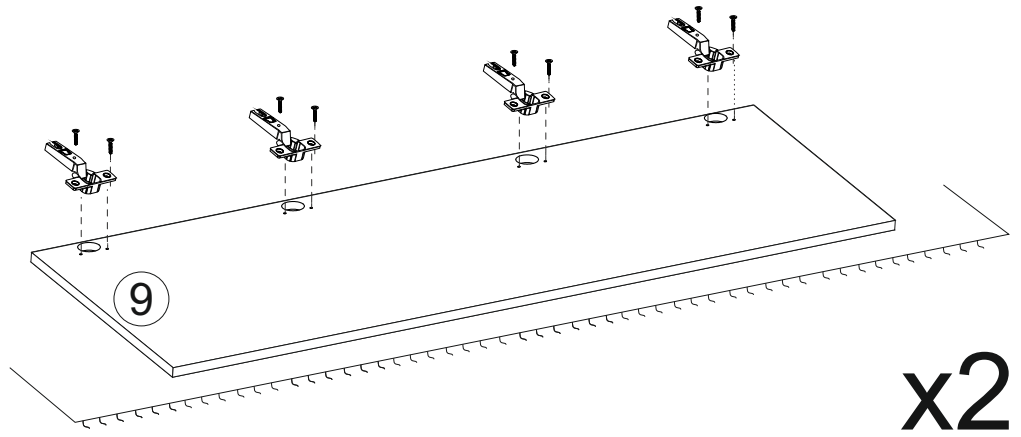
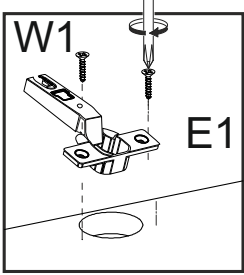


B x12	C x12	D x12	W1 3.5x16 x24	W3 3.5x25 x8
W x2	E1 x8	E2 x4	G 	N x4
K x2	A x1			

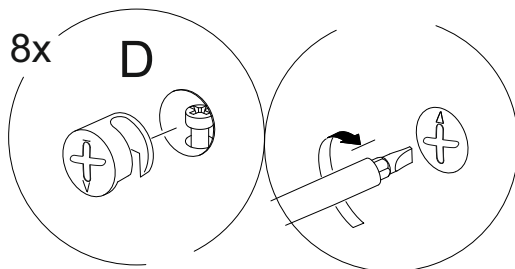
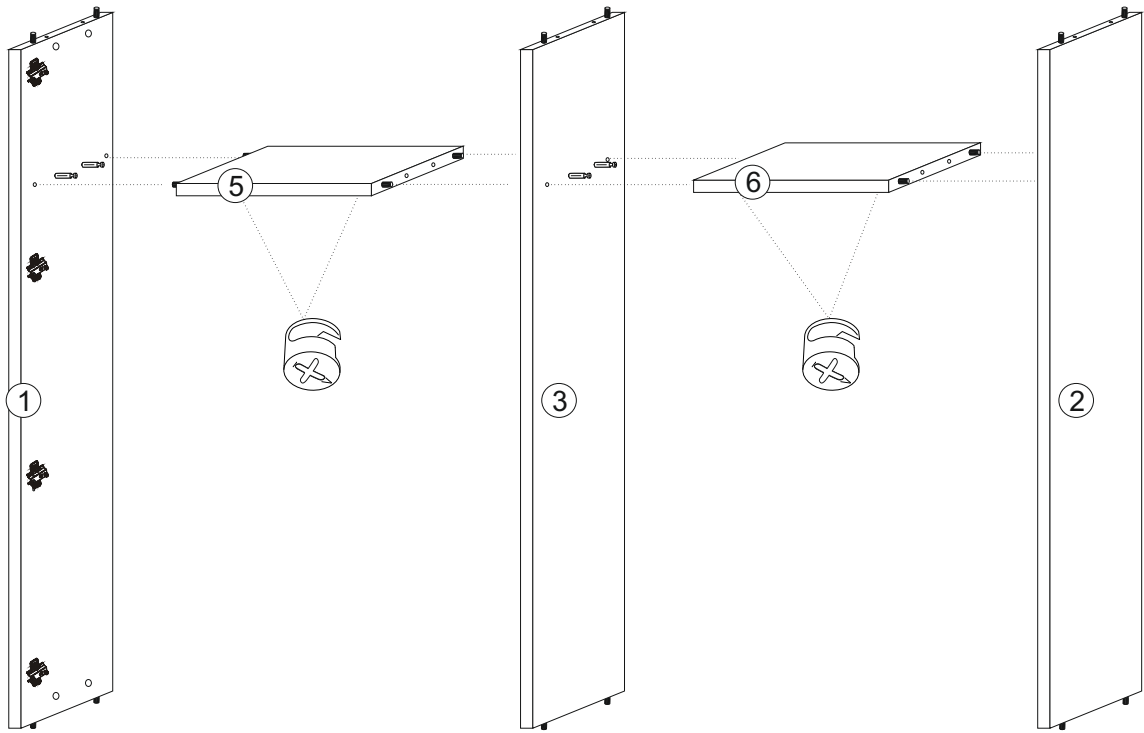
I



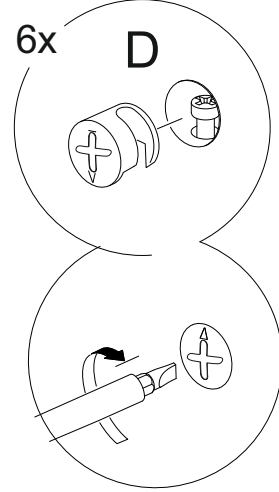
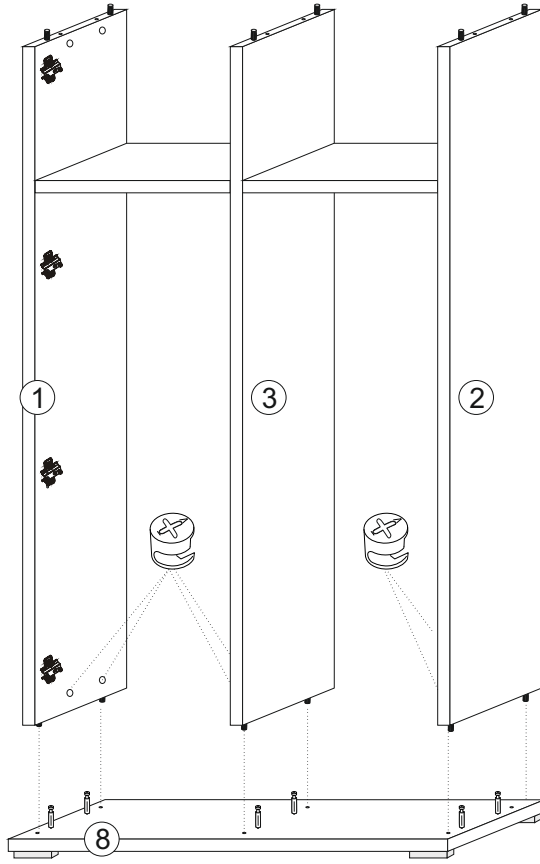
II



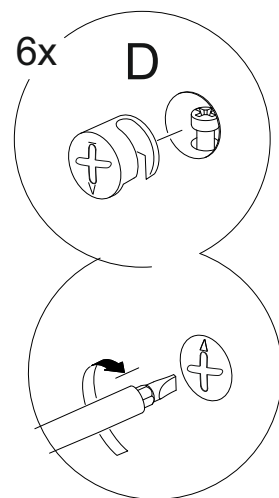
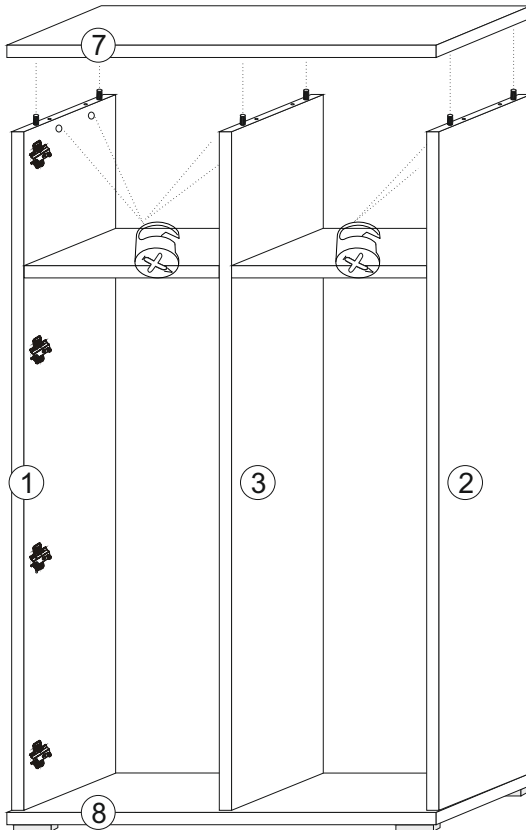
III



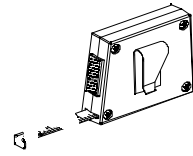
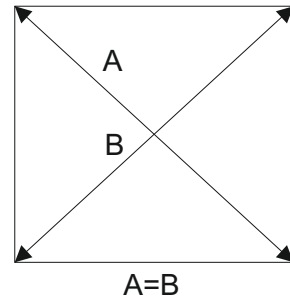
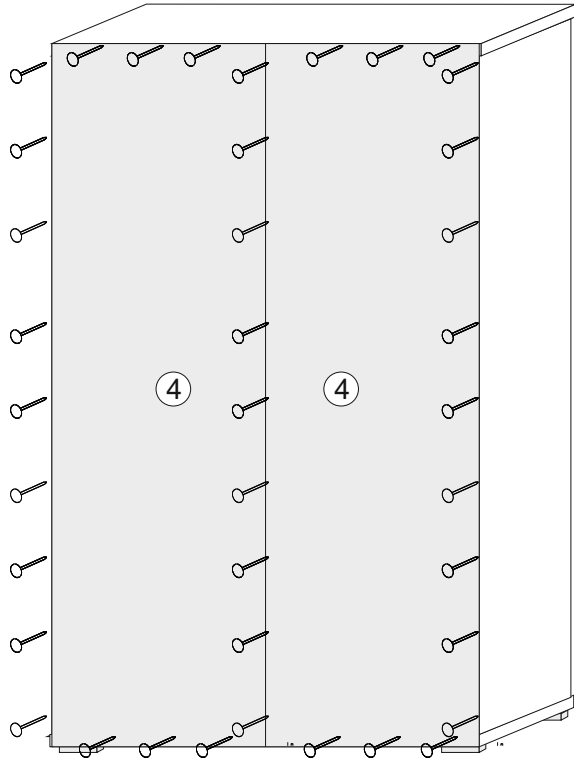
IV



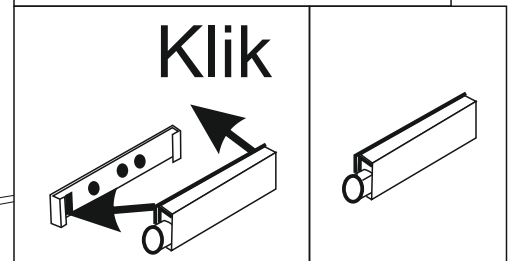
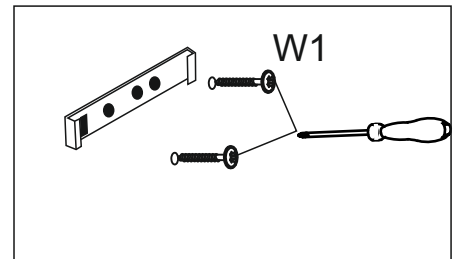
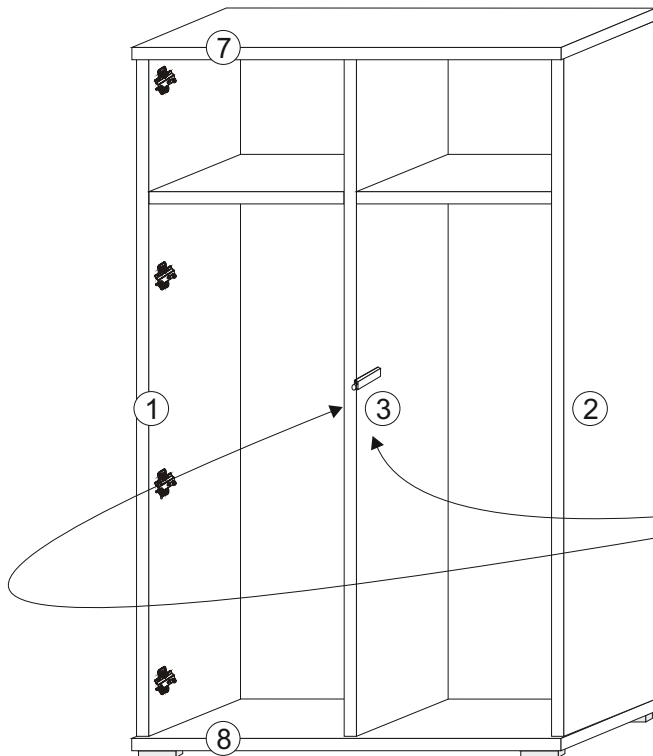
V



VI

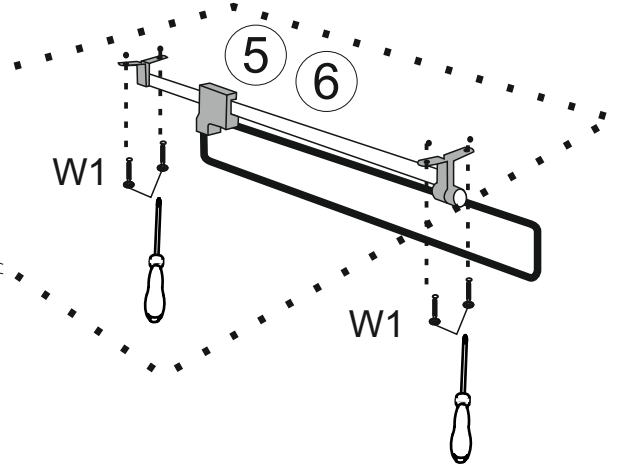
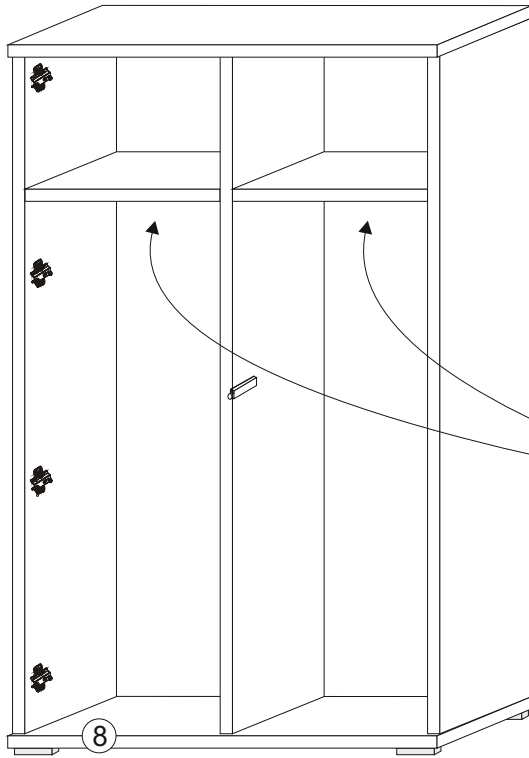


VII

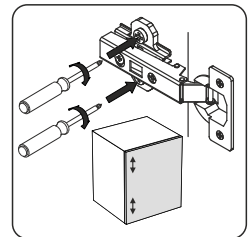
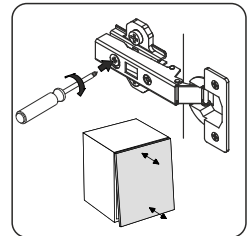
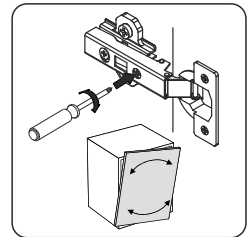
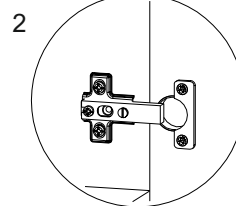
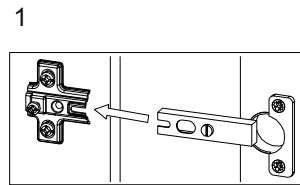
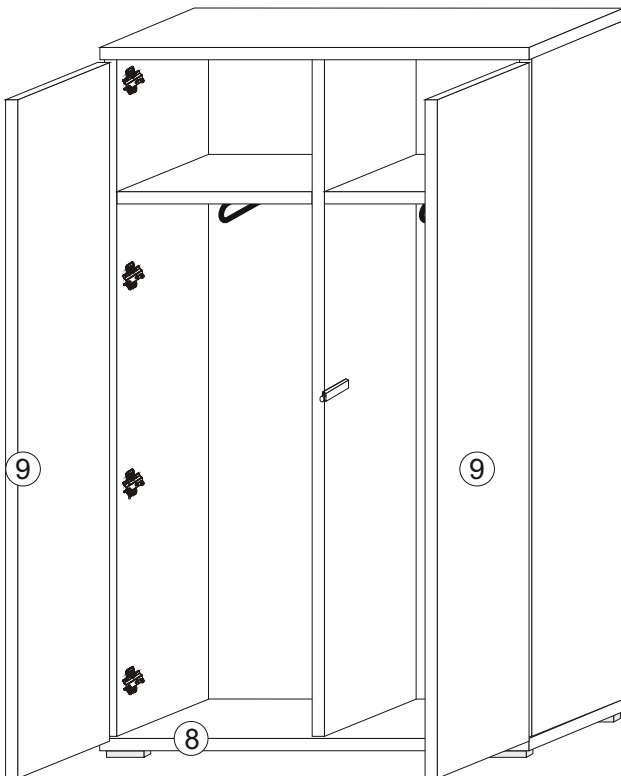


x2

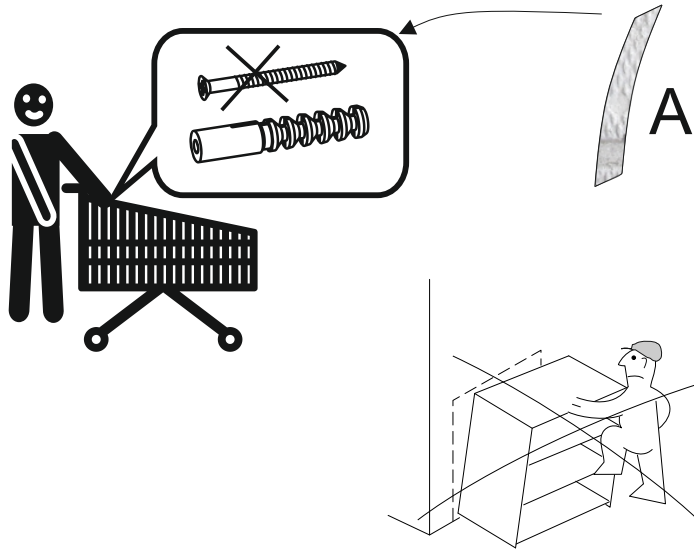
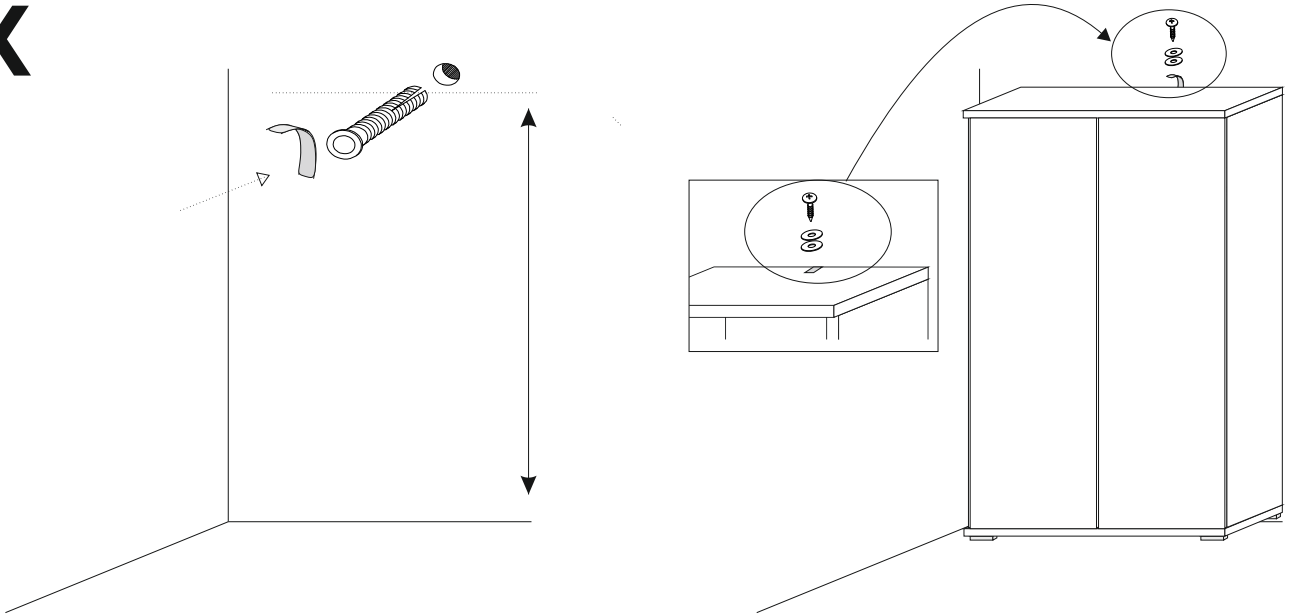
VIII

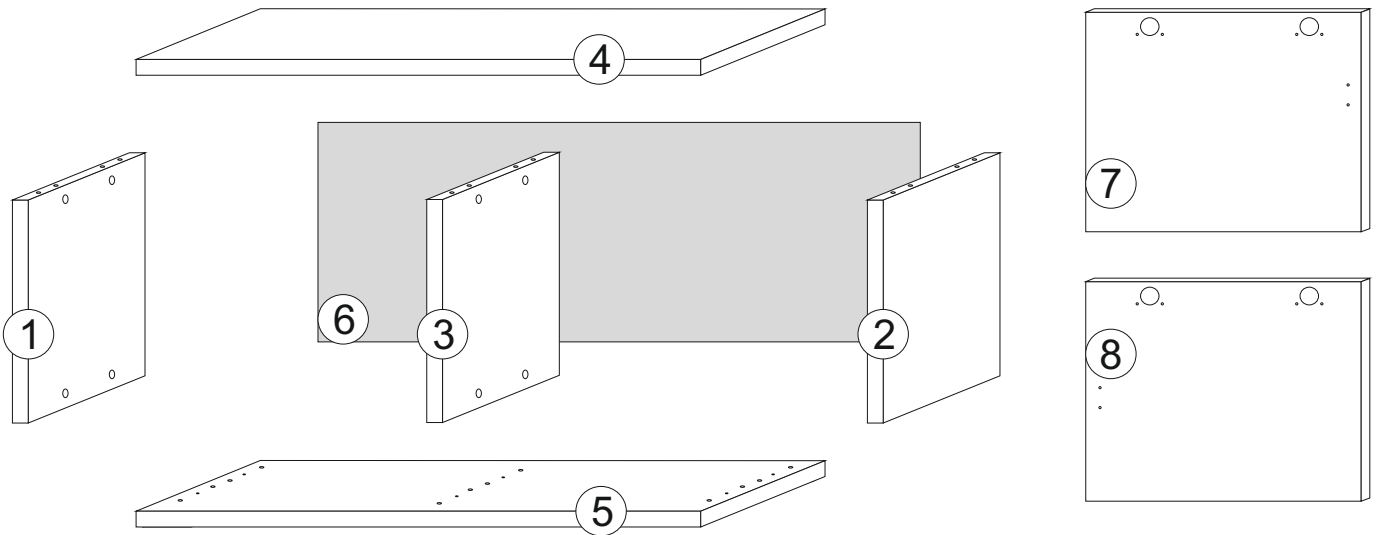
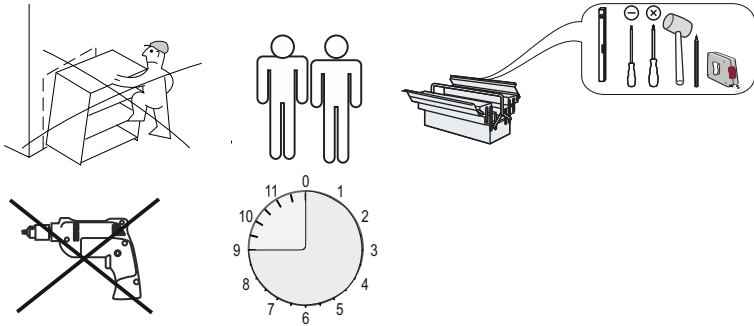
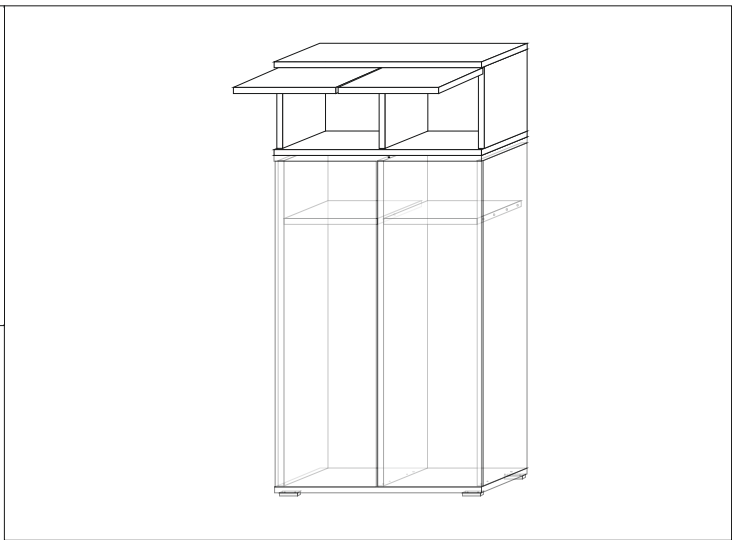
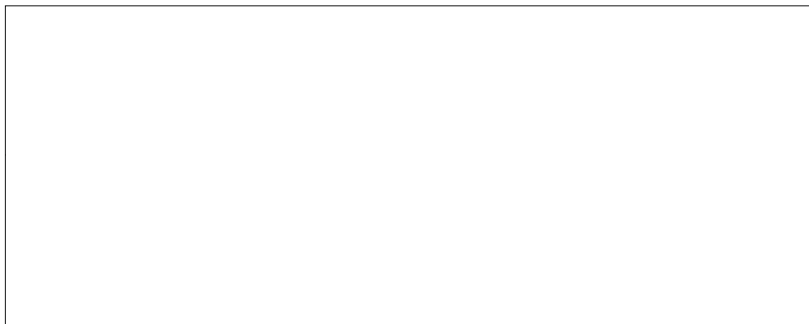


IX



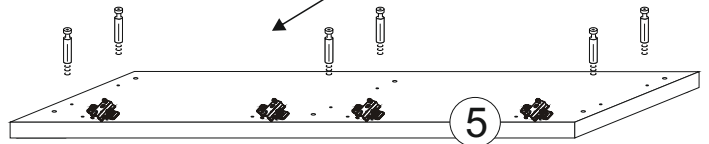
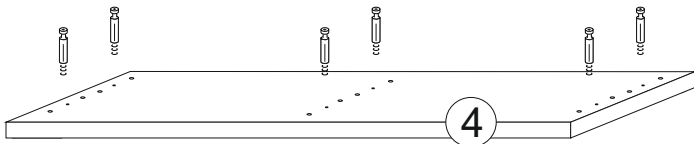
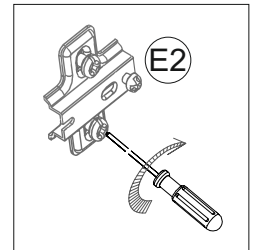
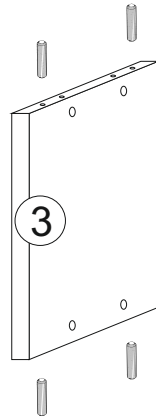
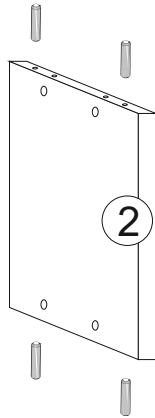
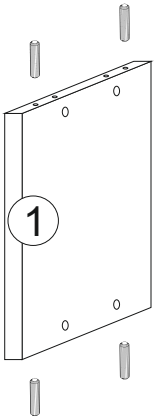
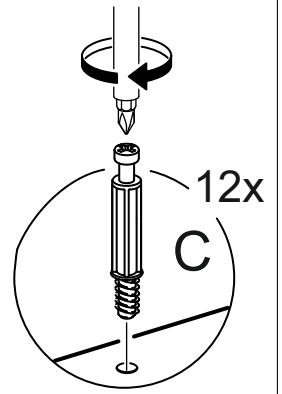
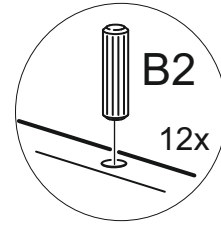
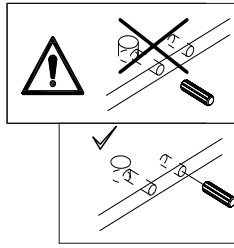
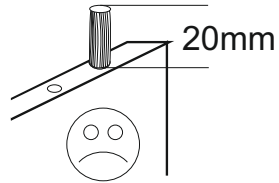
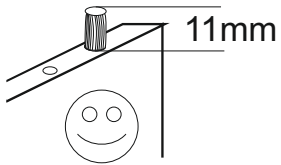
X



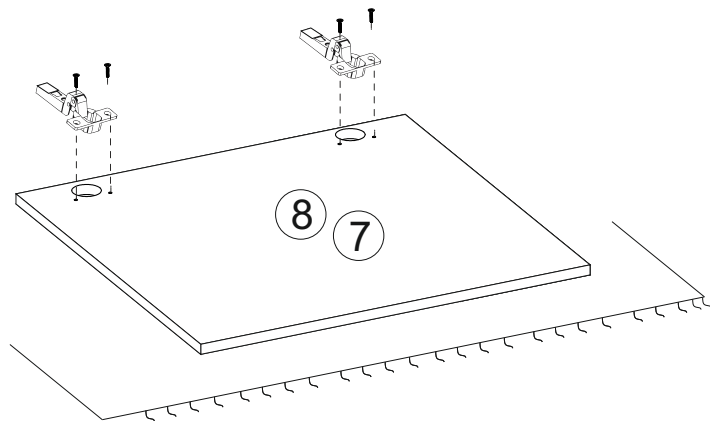
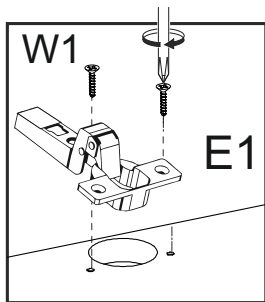


W x2	B1 8x35mm x12	B2 8x30mm x6	C x12	D x12
E1 x4	E2 x4	W1 3,5x16 x22	 x1	H x2
A x1	M x30			

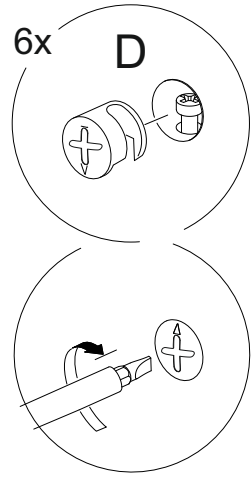
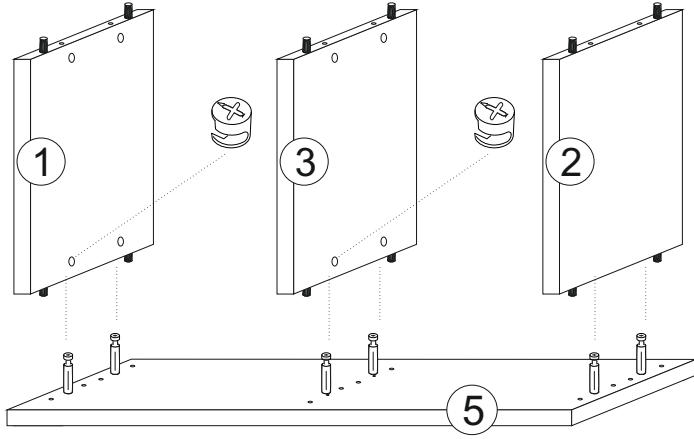
I



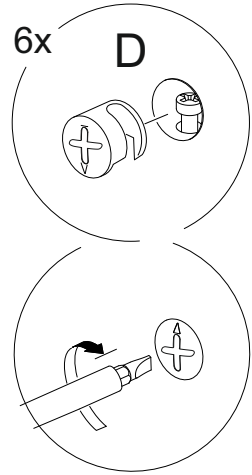
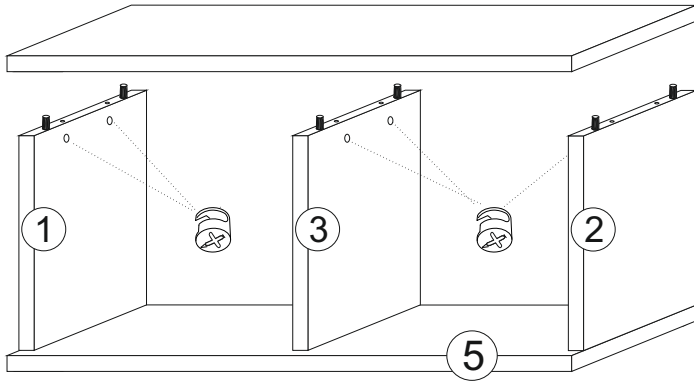
II



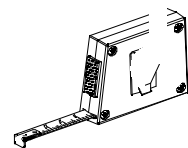
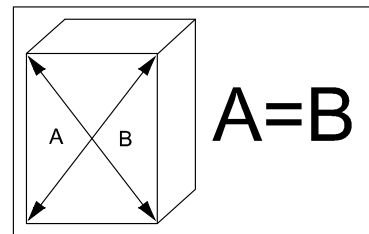
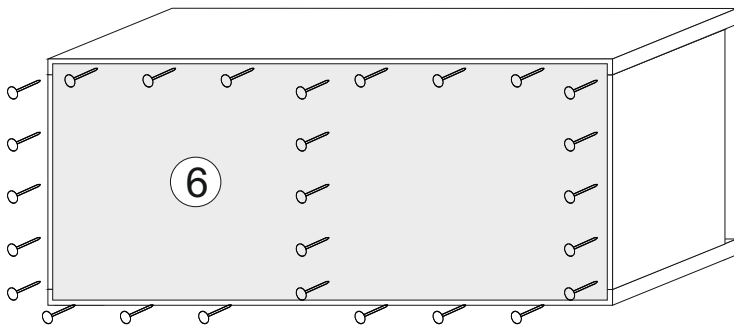
III



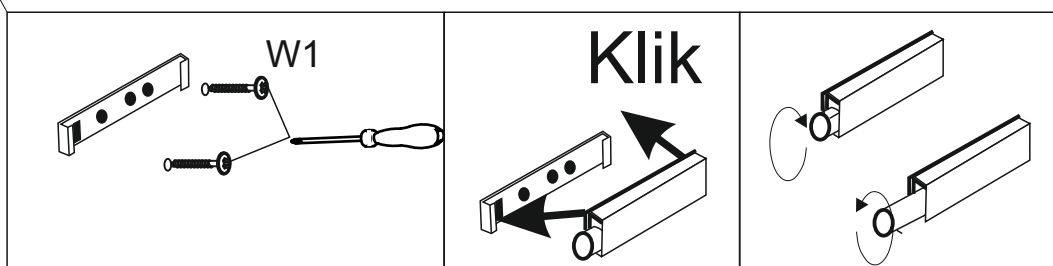
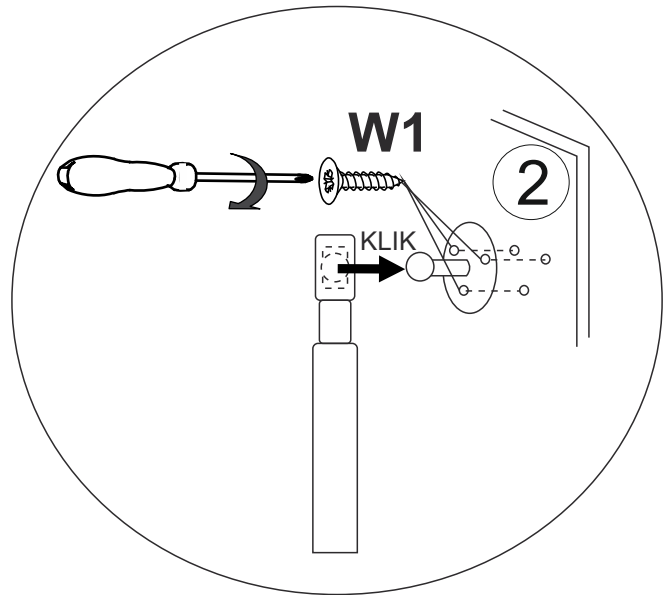
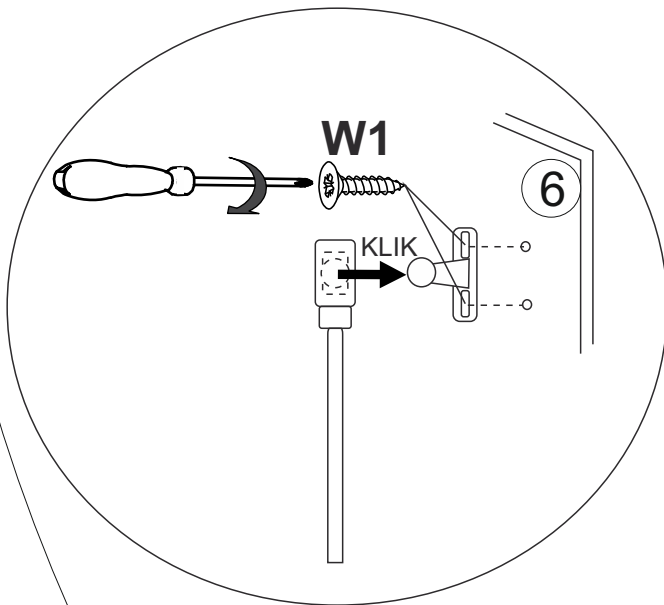
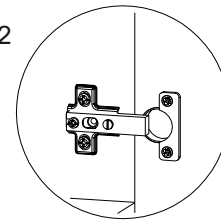
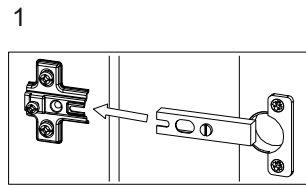
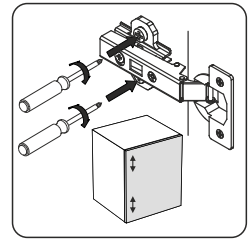
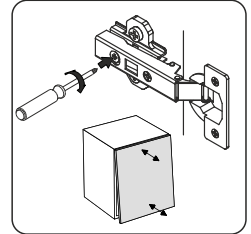
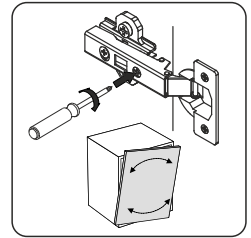
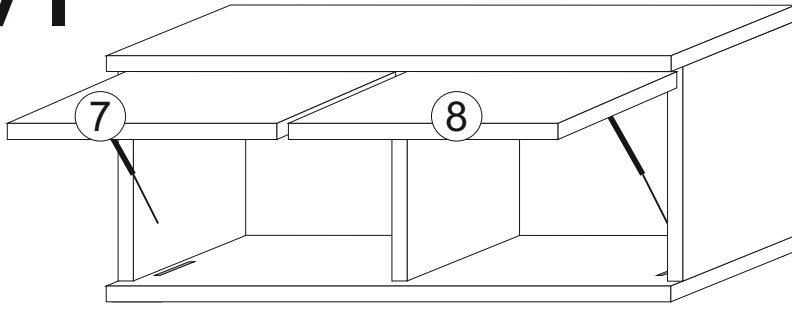
IV



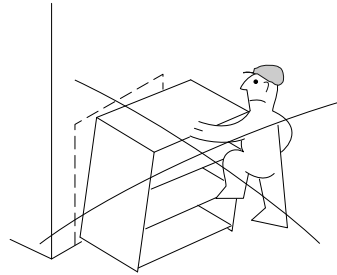
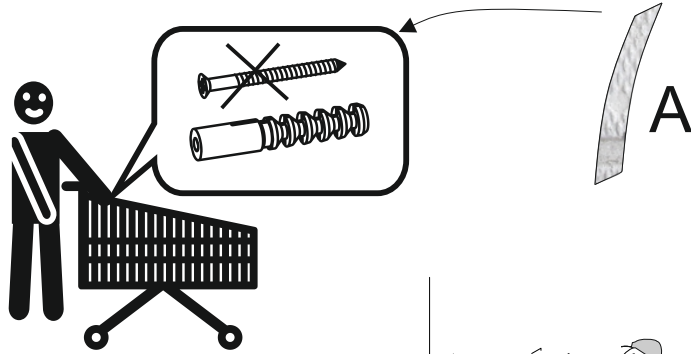
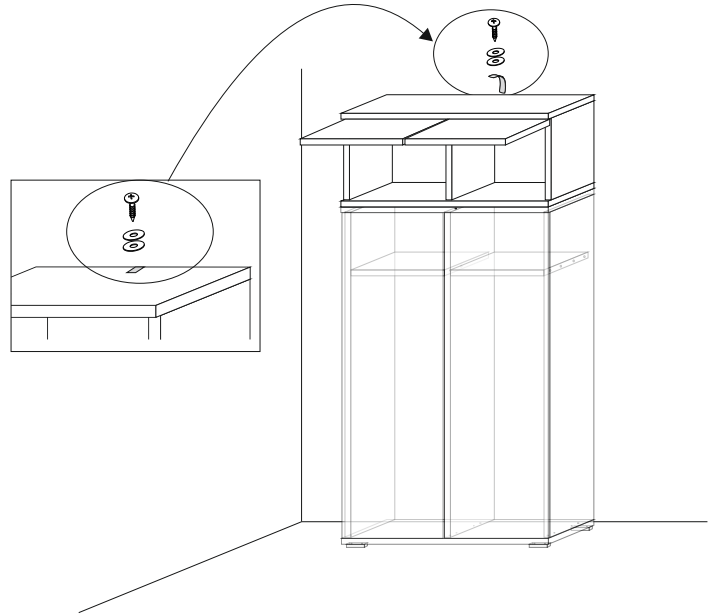
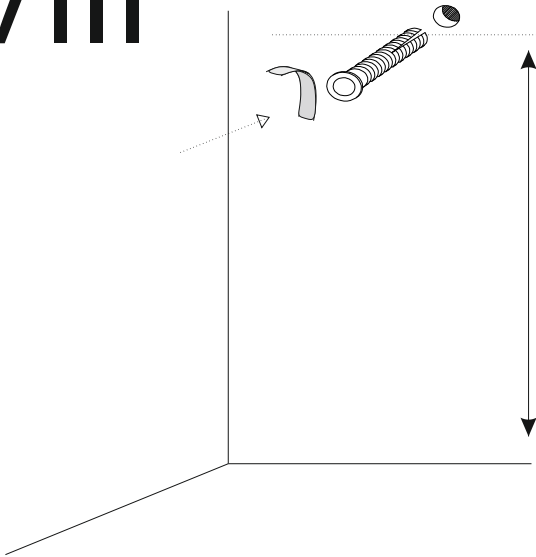
V



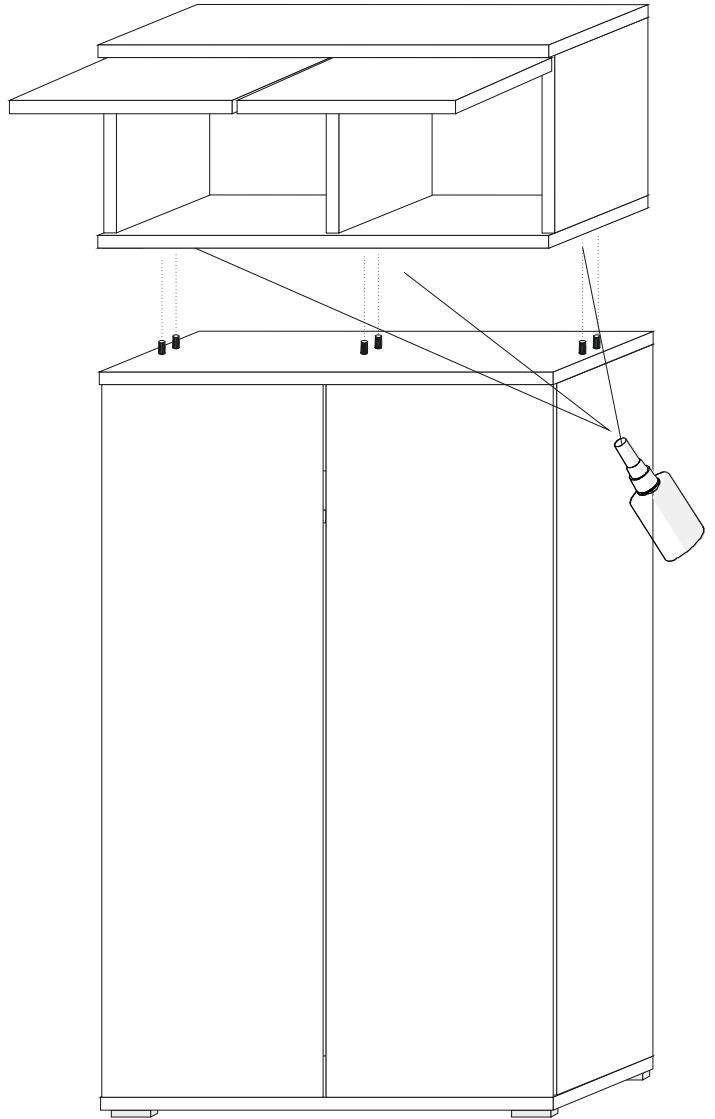
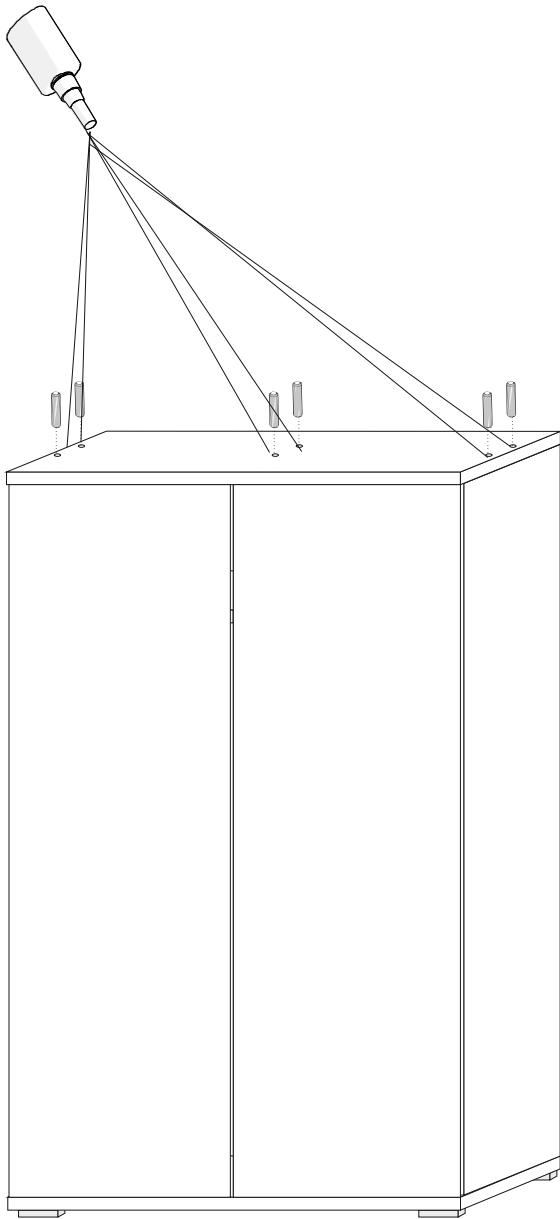
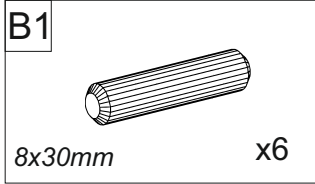
VI

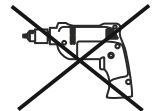
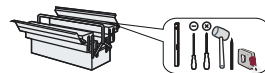
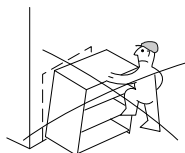
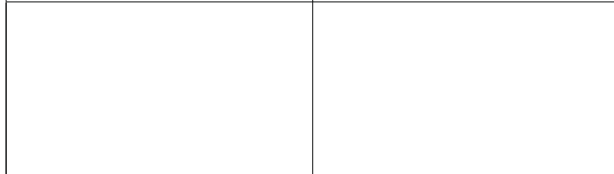
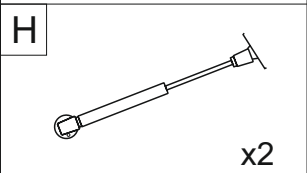
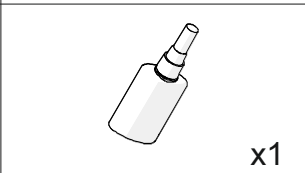
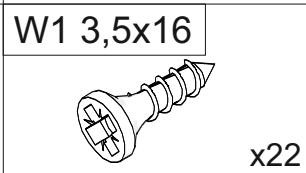
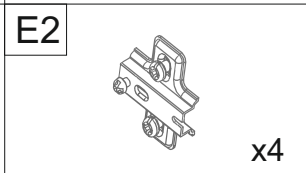
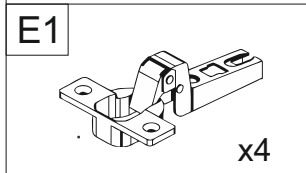
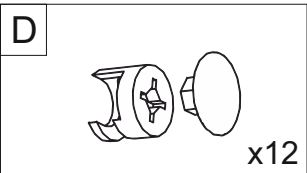
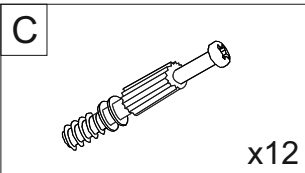
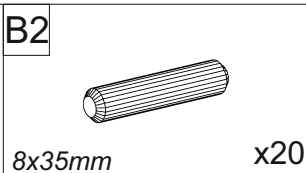
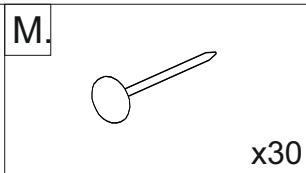
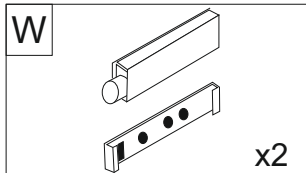
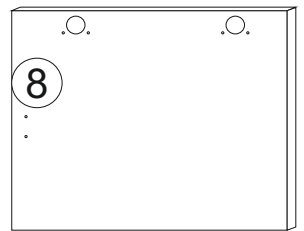
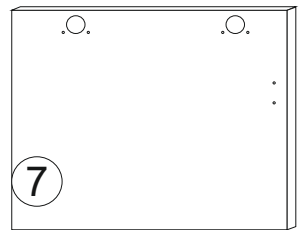
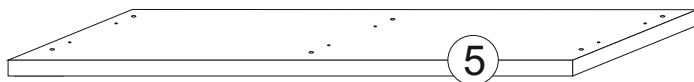
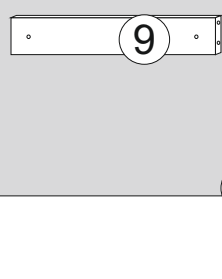
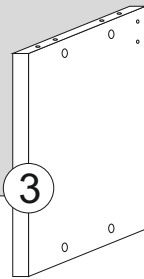
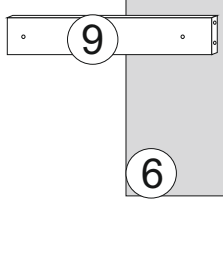
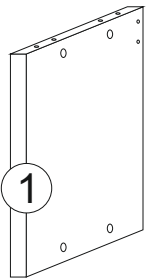
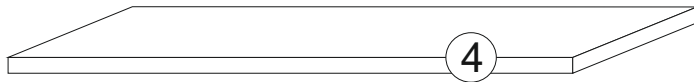
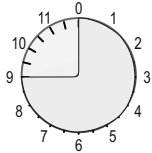
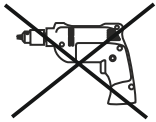
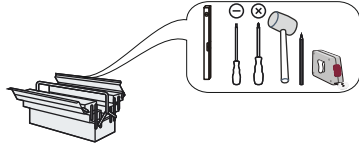
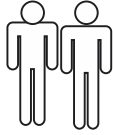
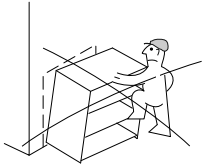
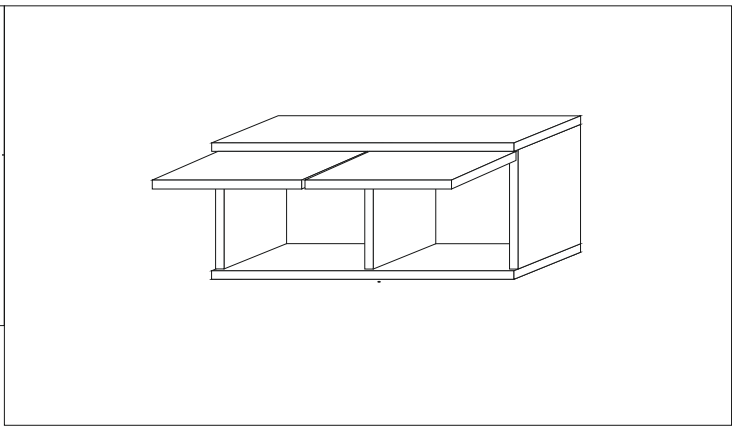
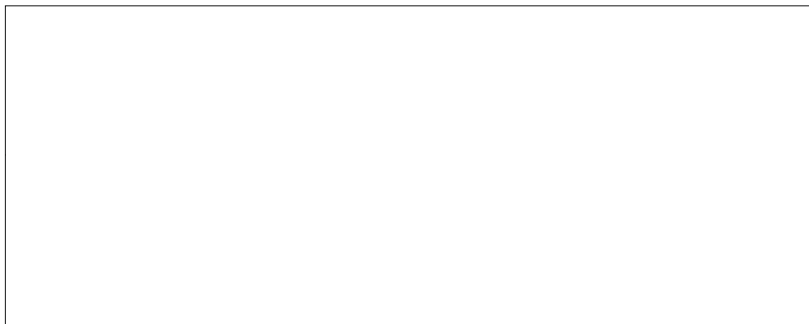


VIII

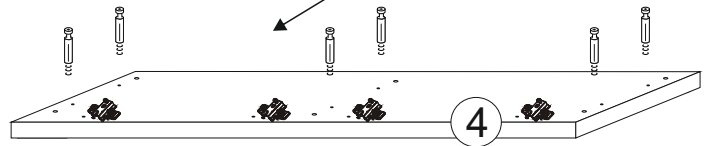
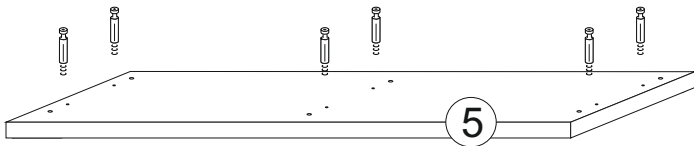
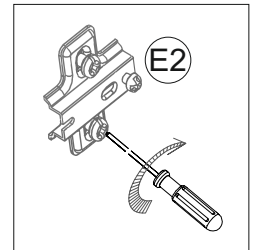
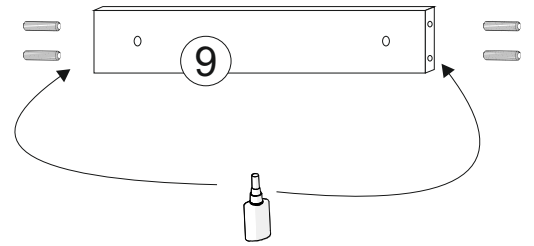
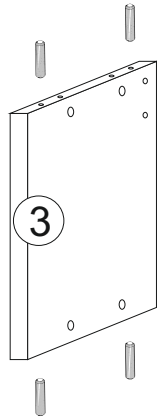
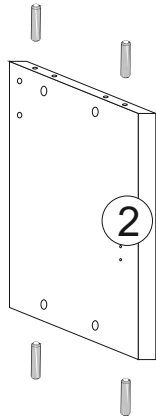
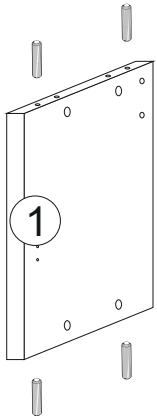
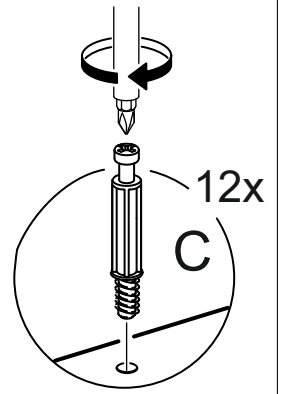
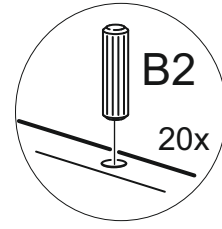
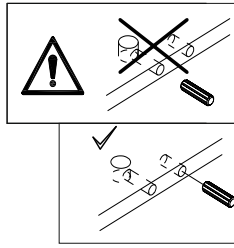
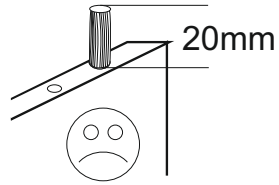
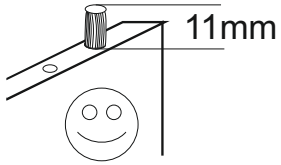


VII

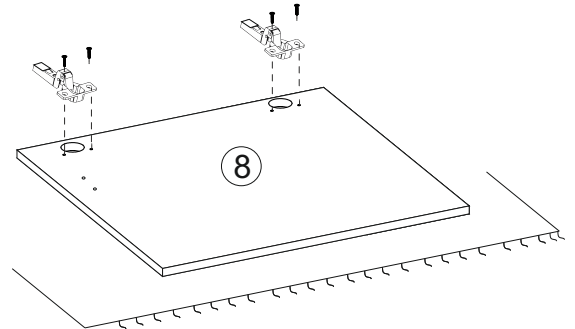
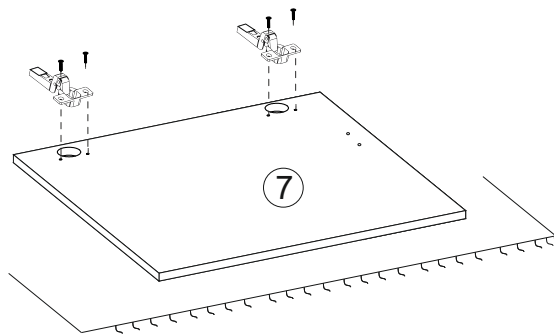
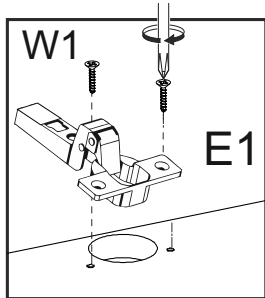




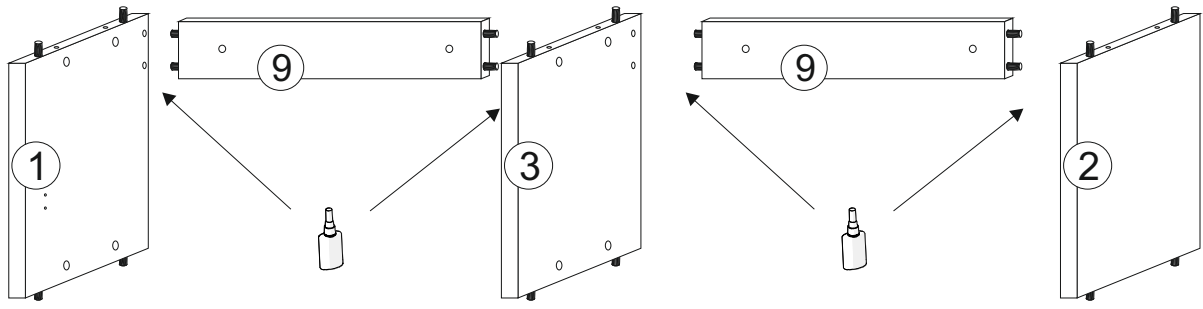
I



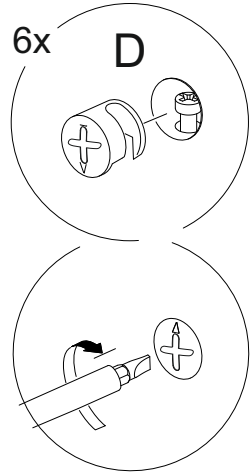
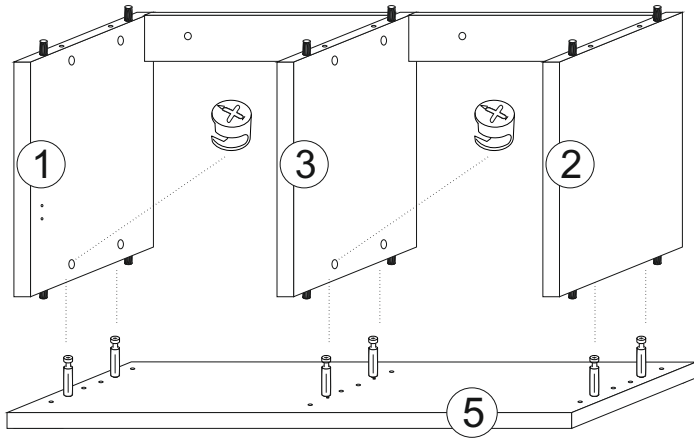
II



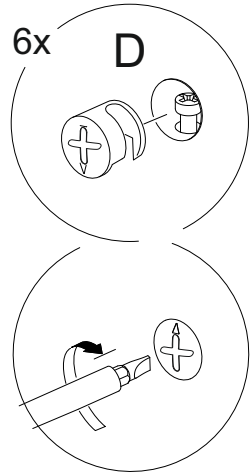
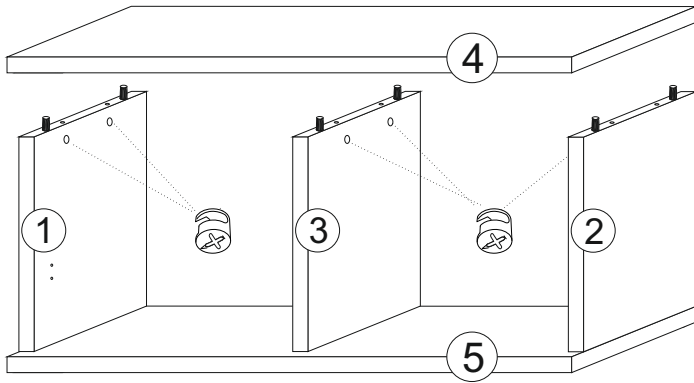
III



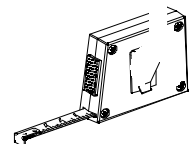
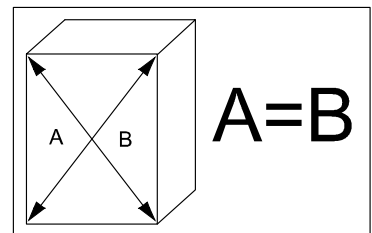
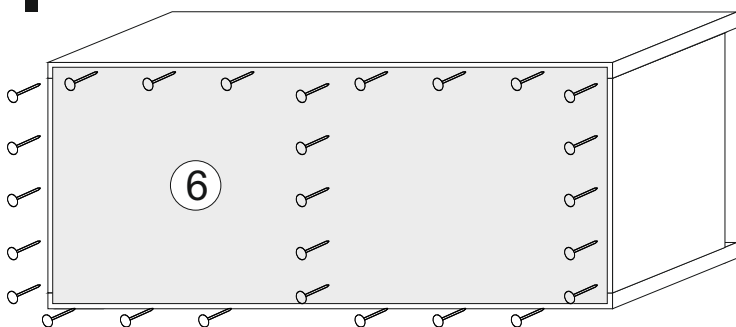
IV



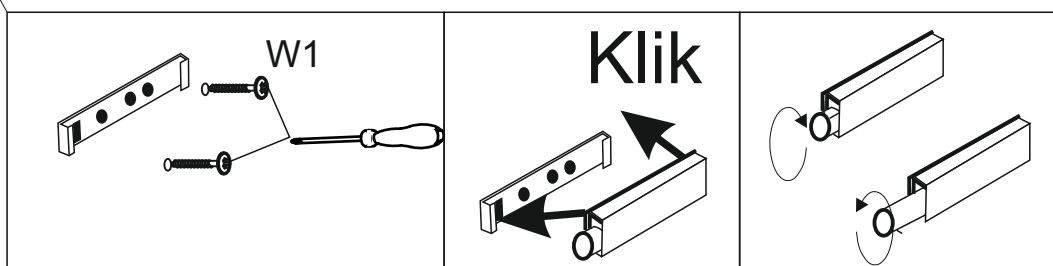
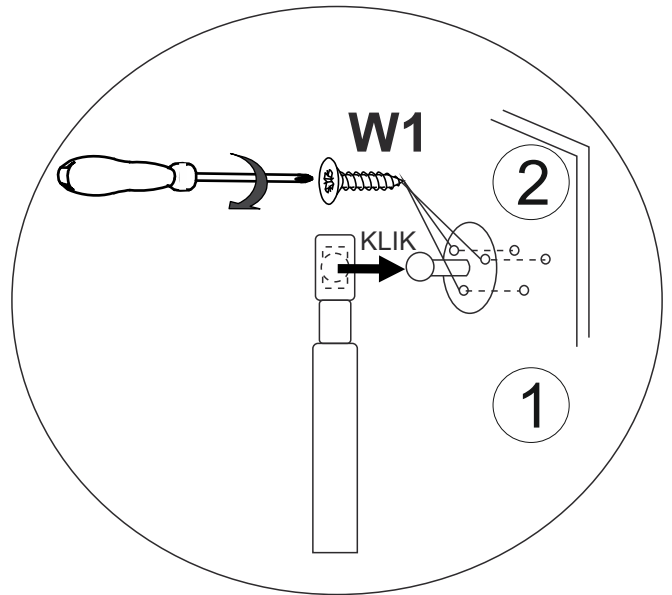
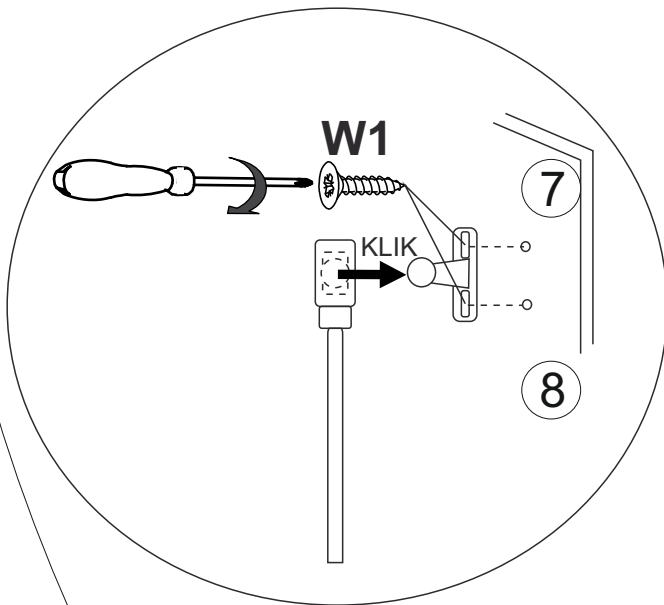
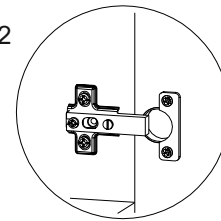
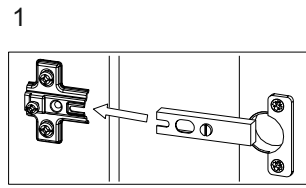
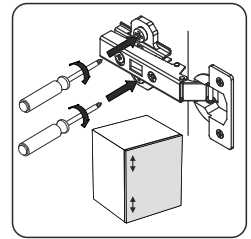
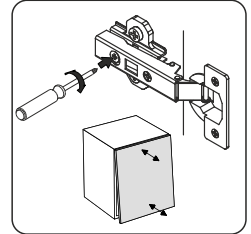
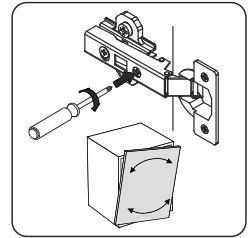
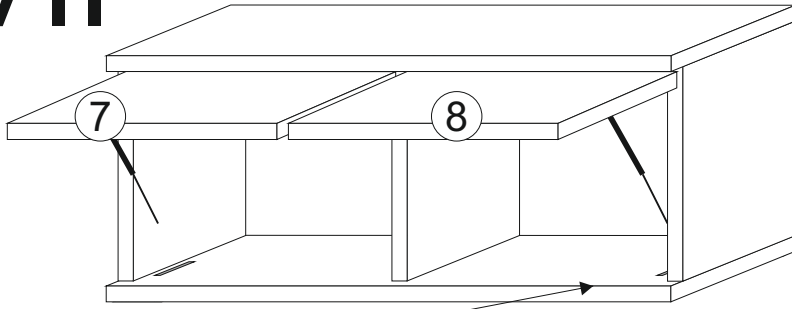
V



VI



VII



VIII

