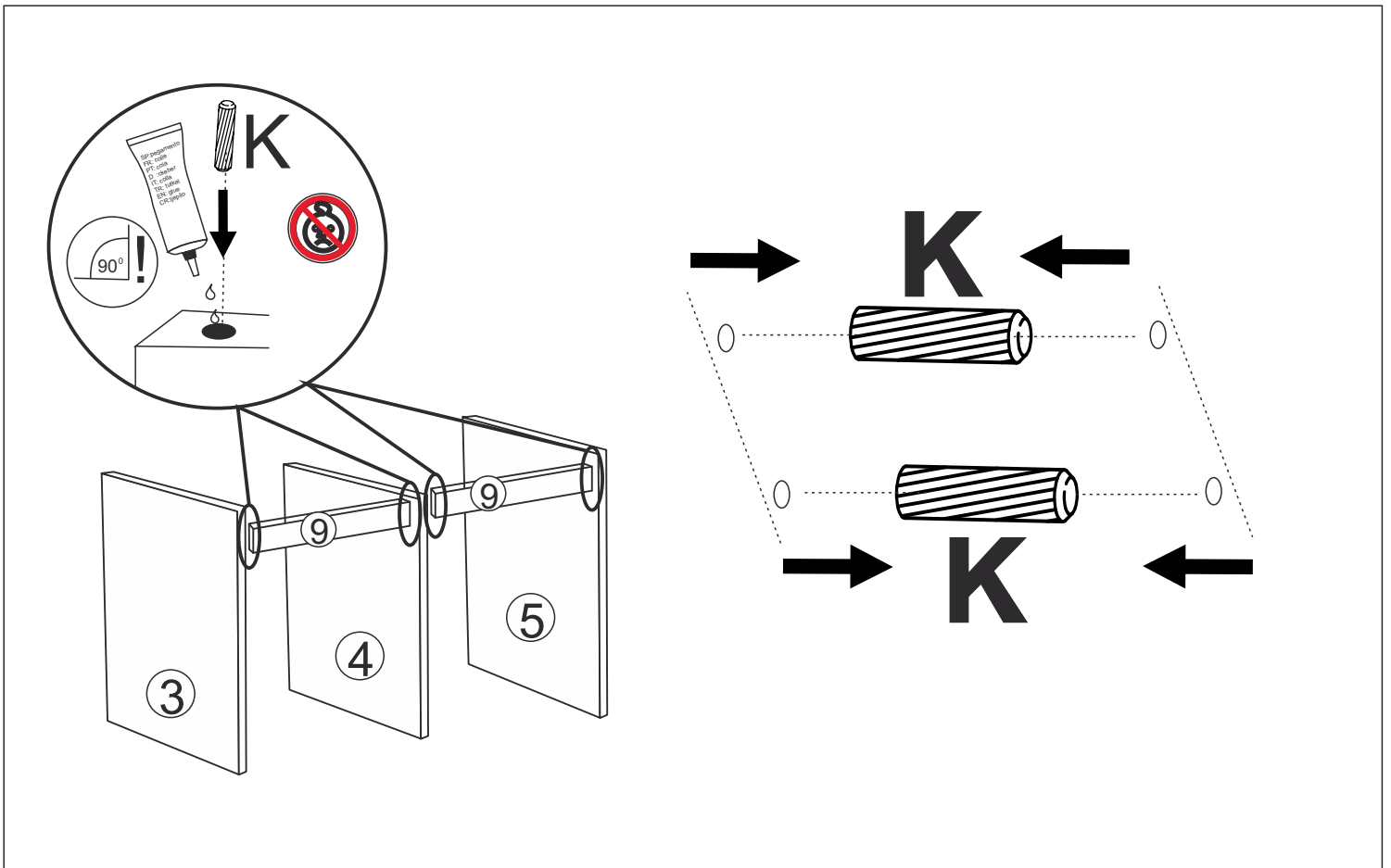
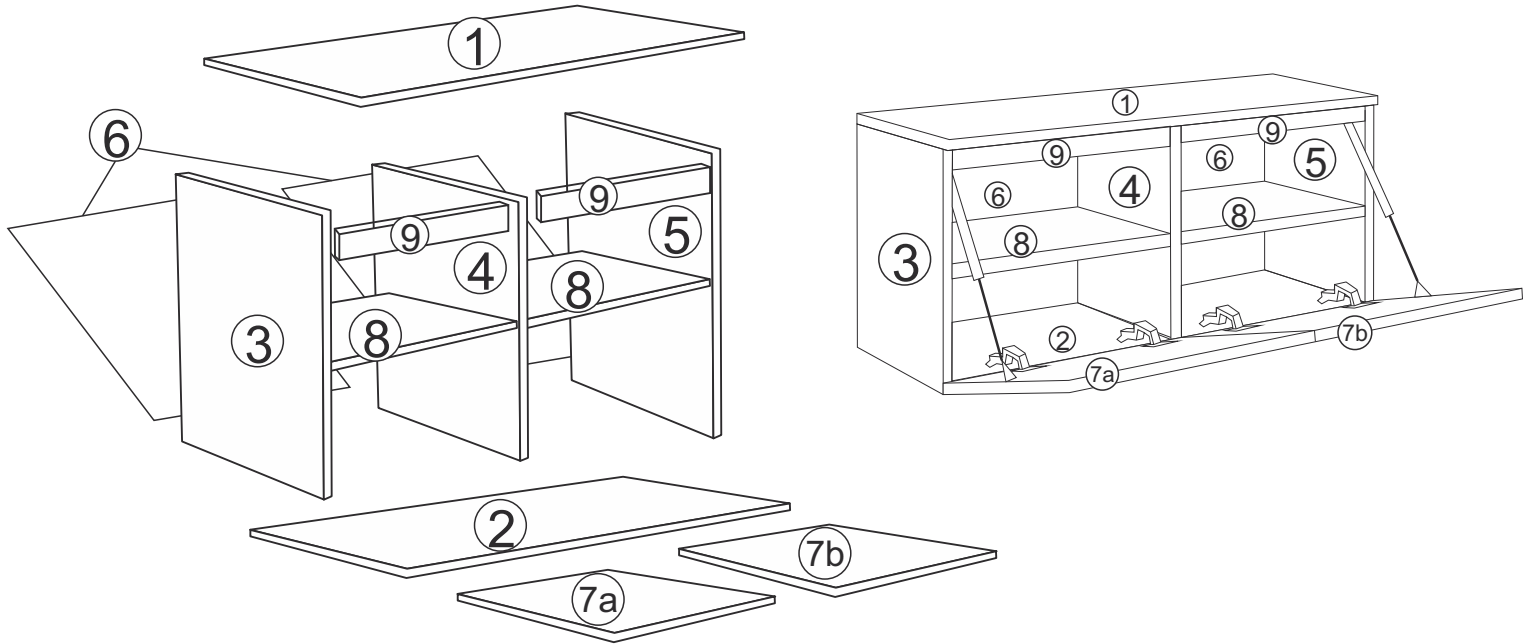
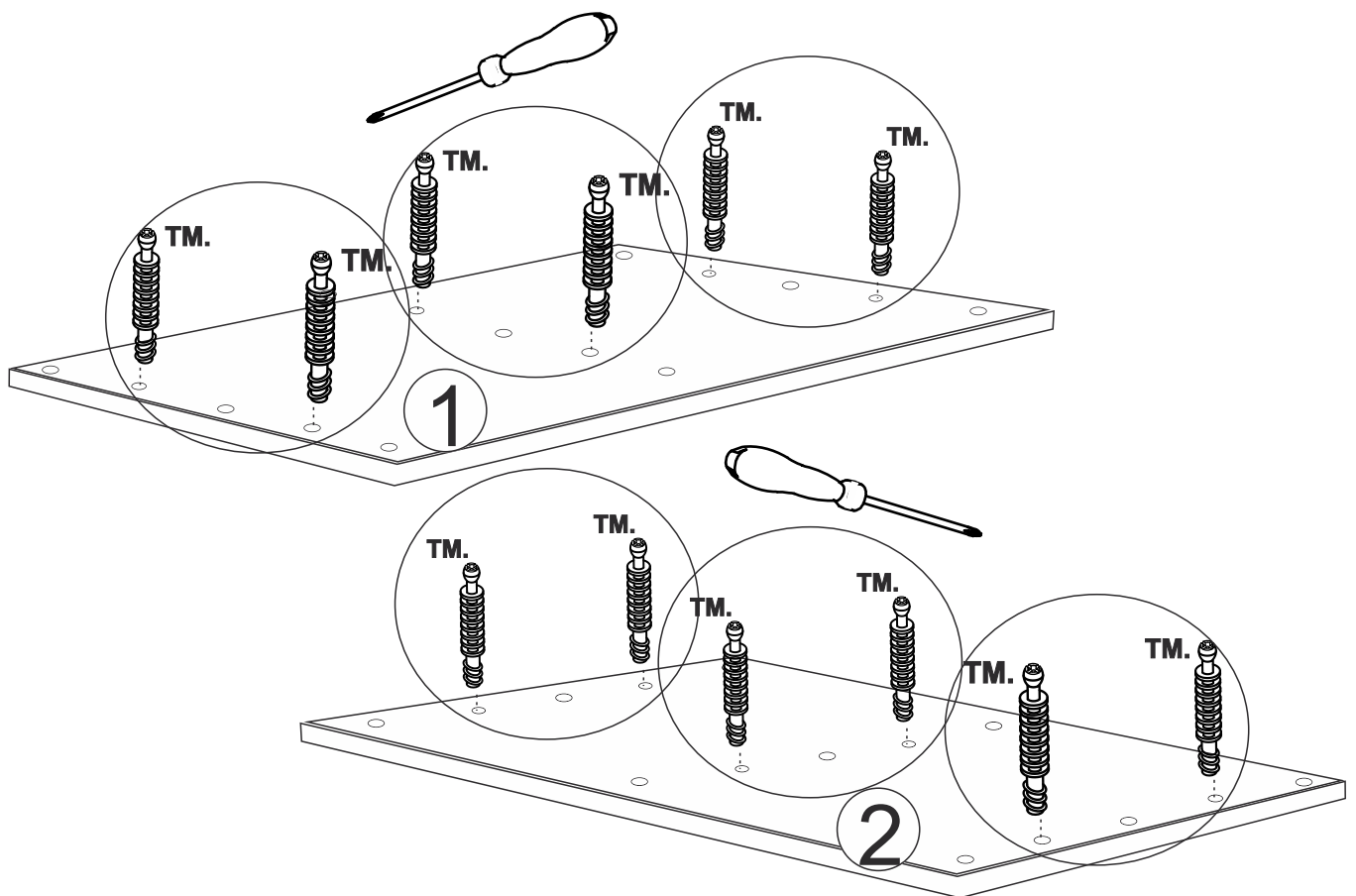
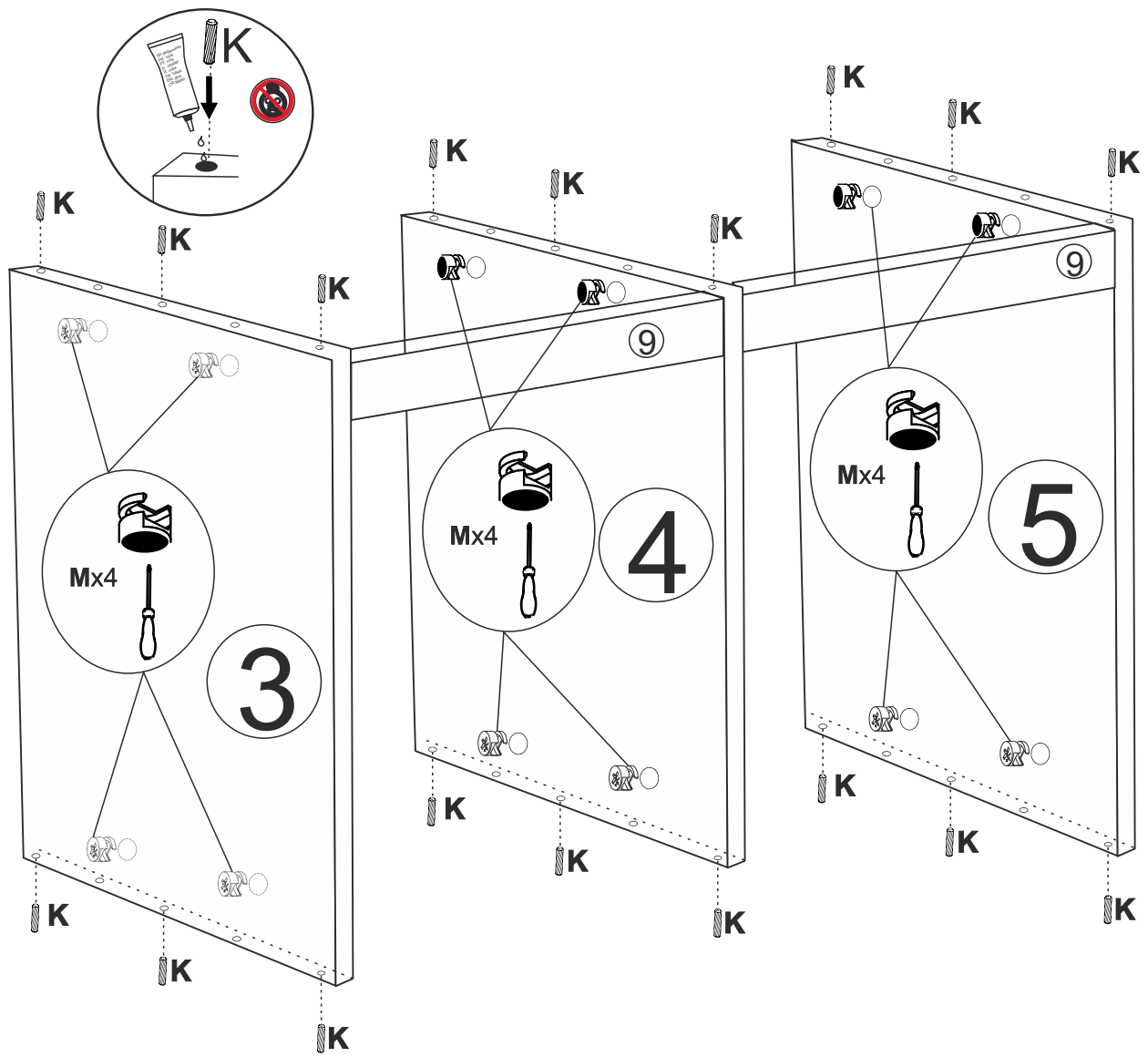
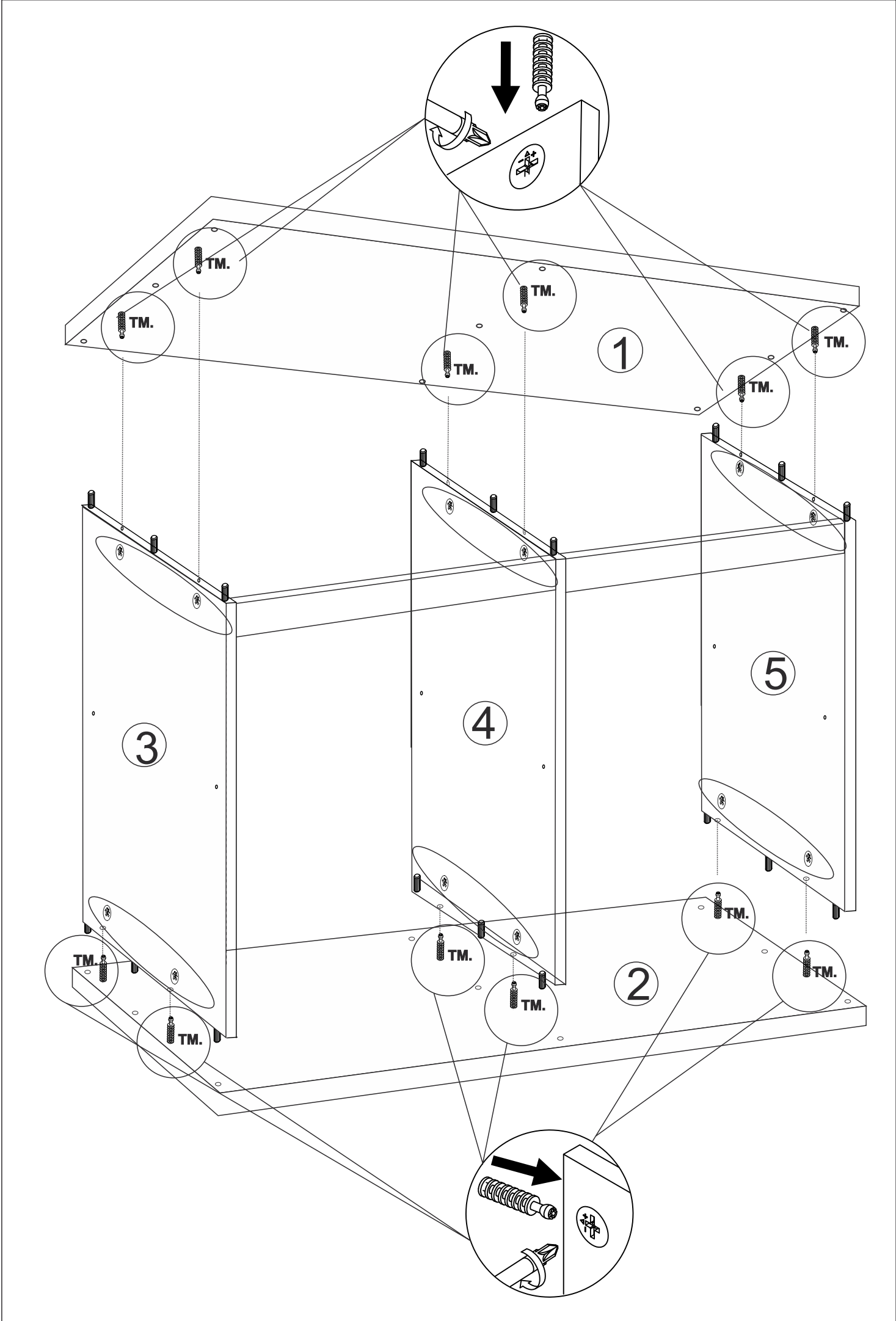
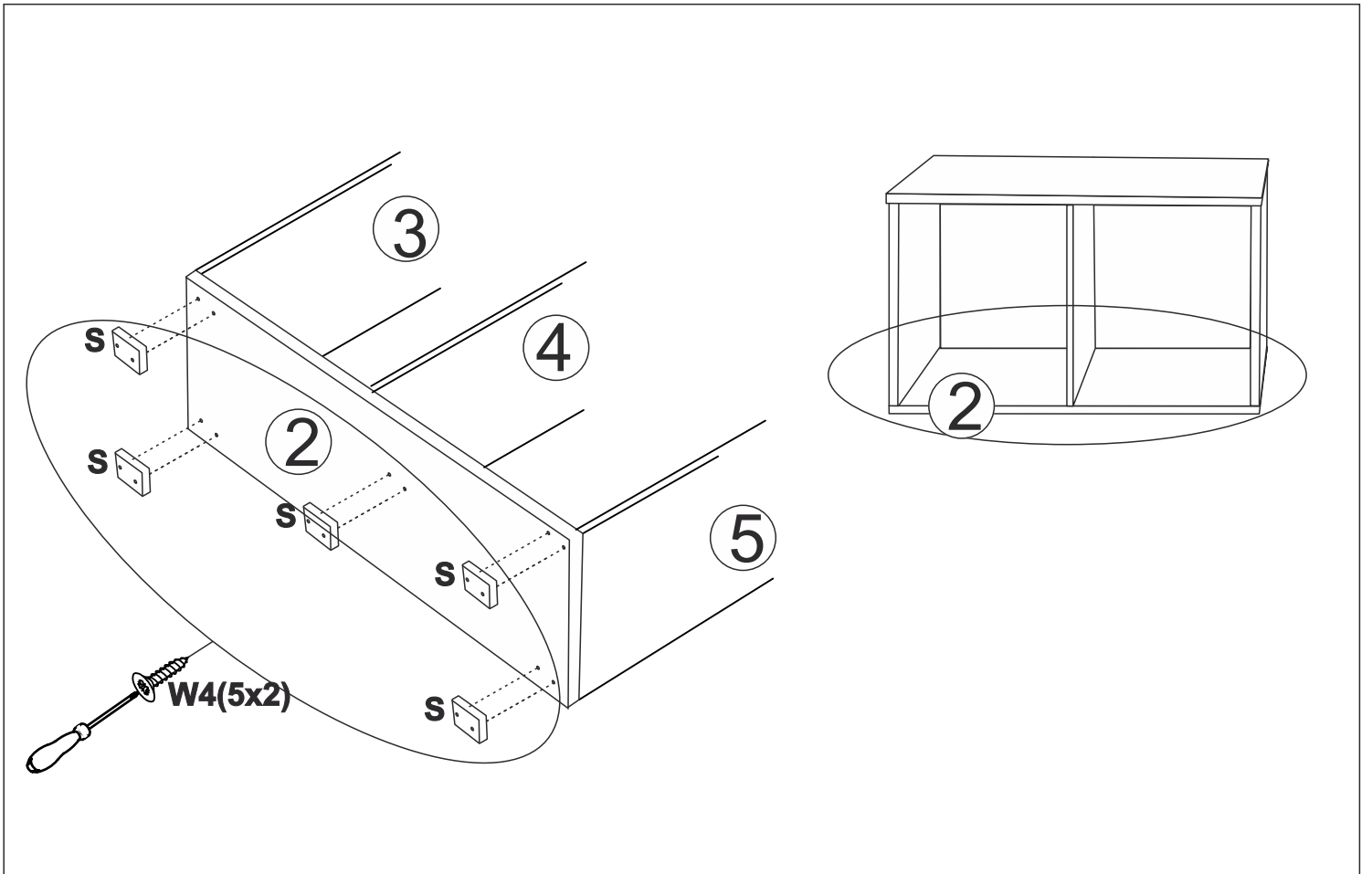
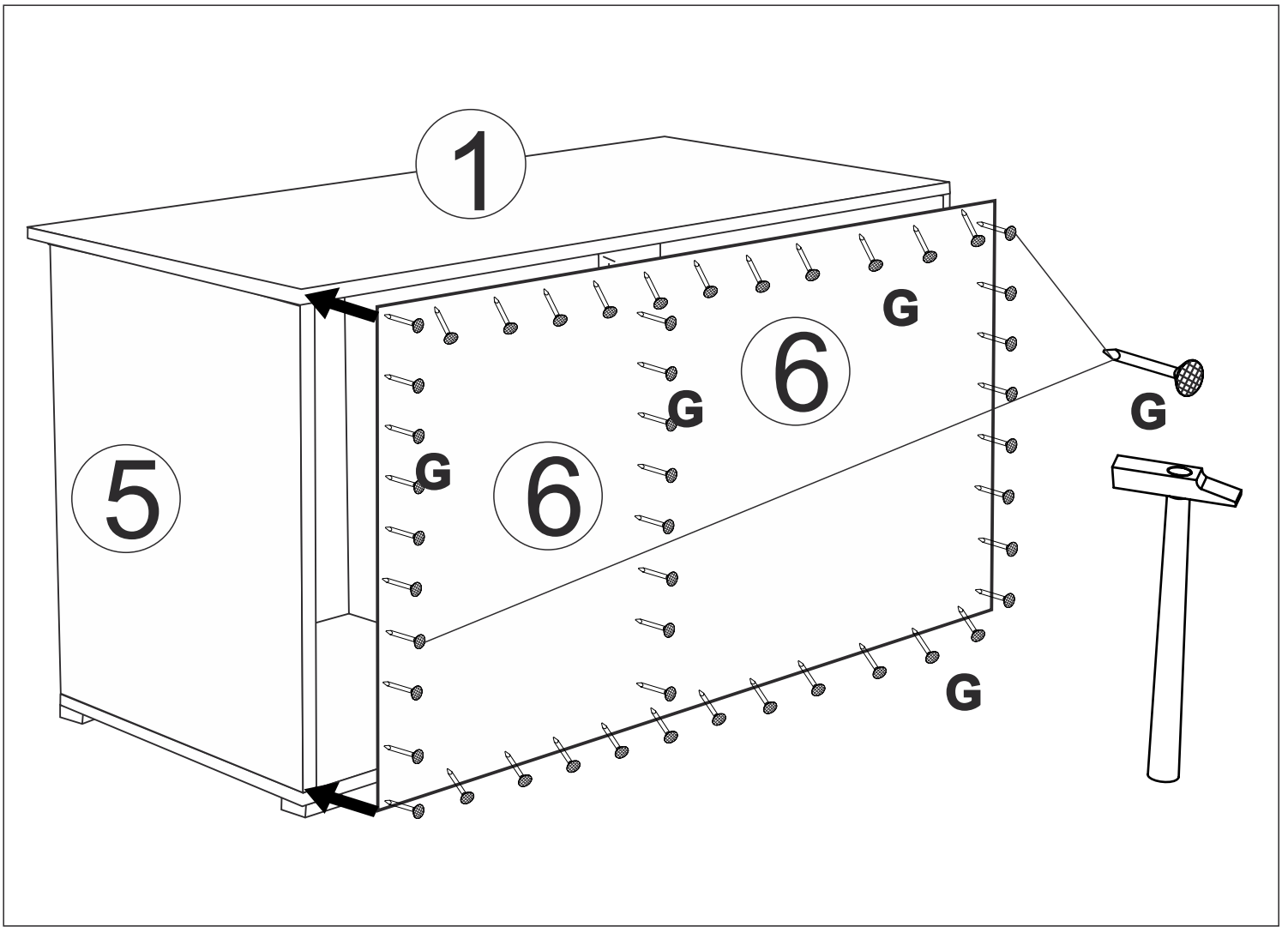


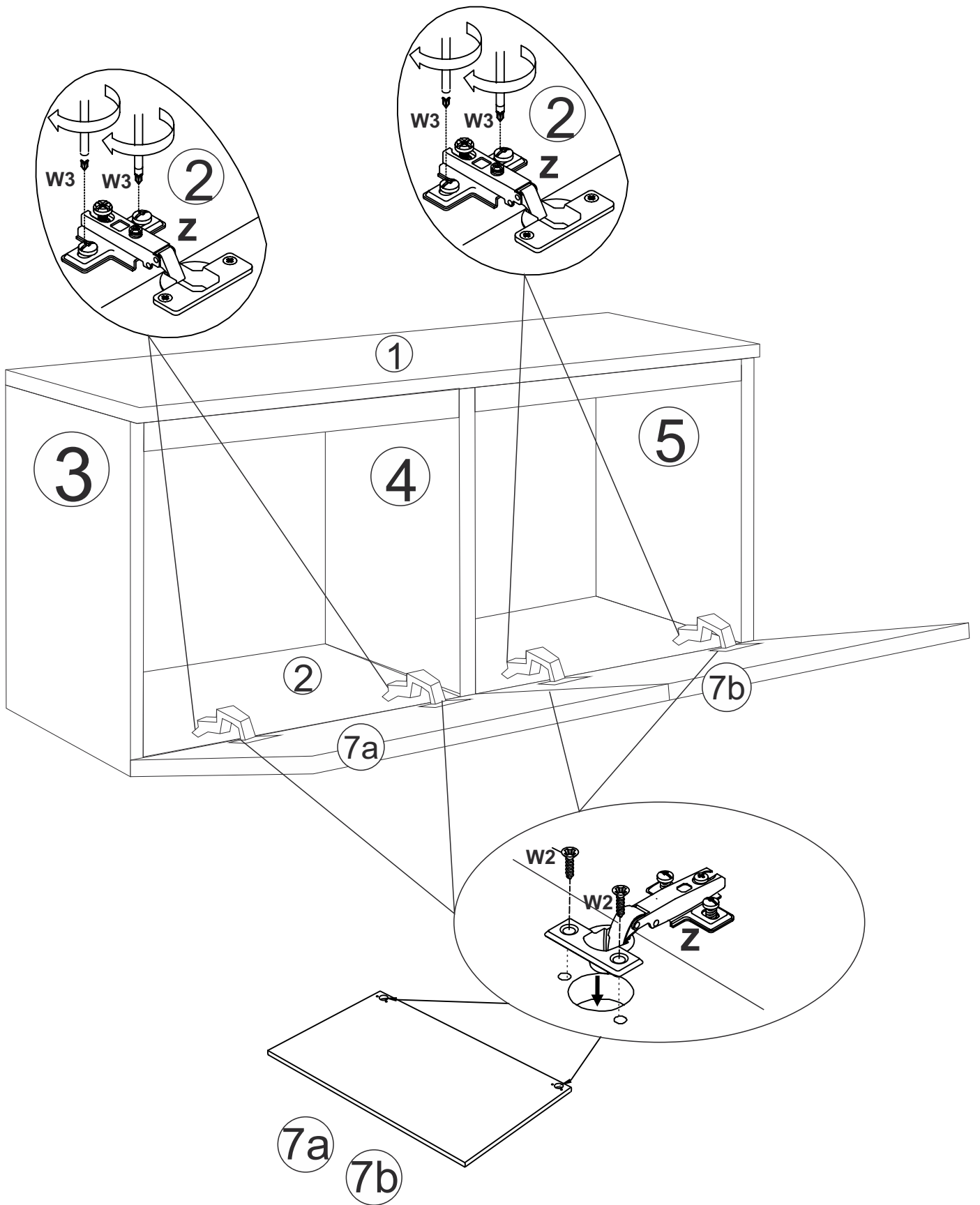
			<b>Kx26szt</b> 	<b>TMx12</b> 	<b>Mx12</b> 	<b>G</b> 
<b>W2</b> 16x3,5mm 	<b>W3</b> 16mmx6 	<b>W4</b> 25mmx3,5 	<b>S</b> 	<b>C</b> 		
x18	x8	x10	x5	x8		

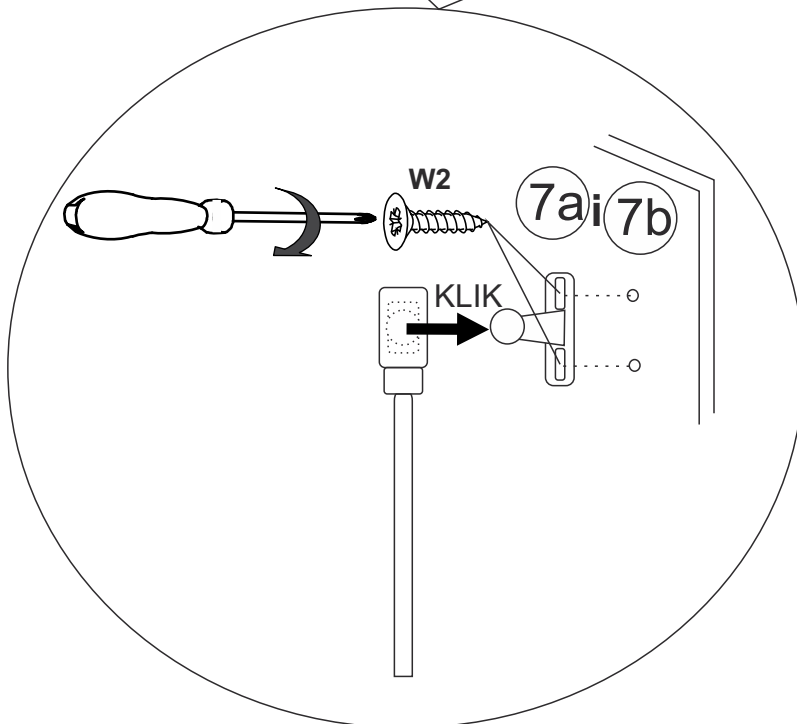
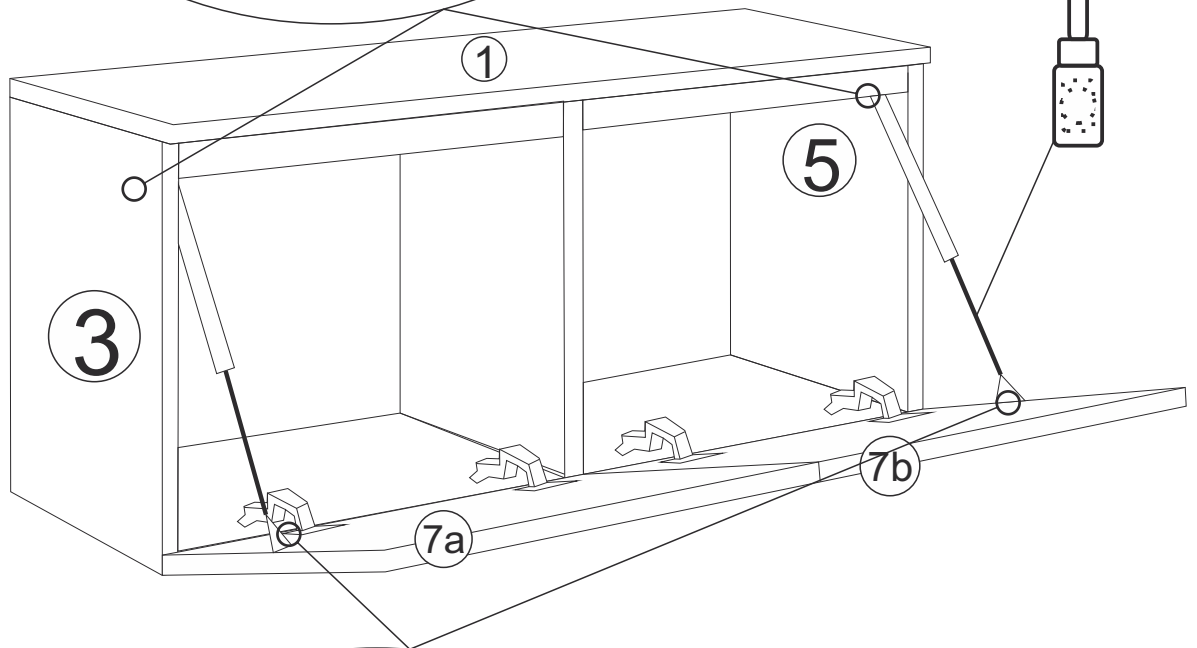
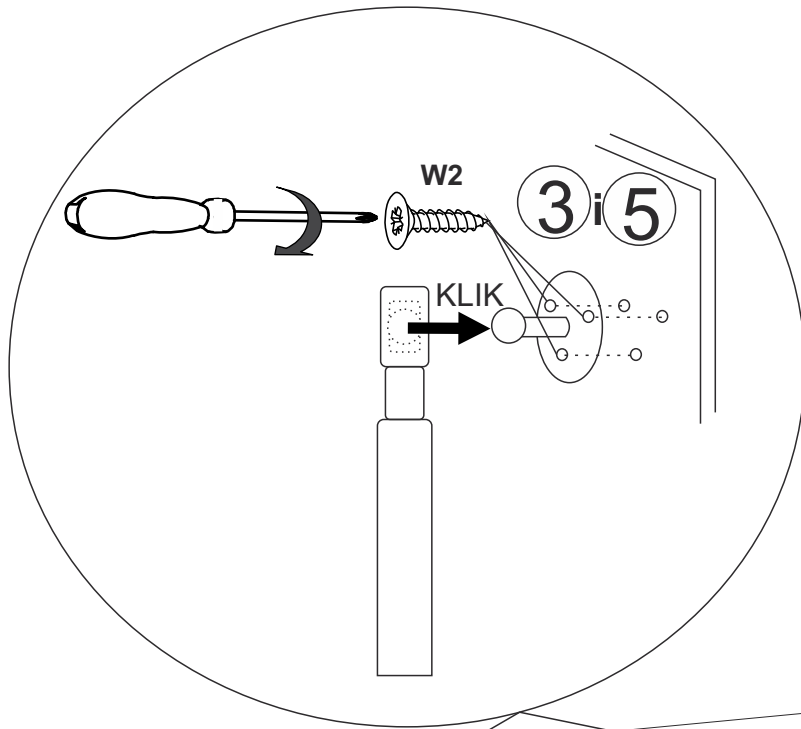


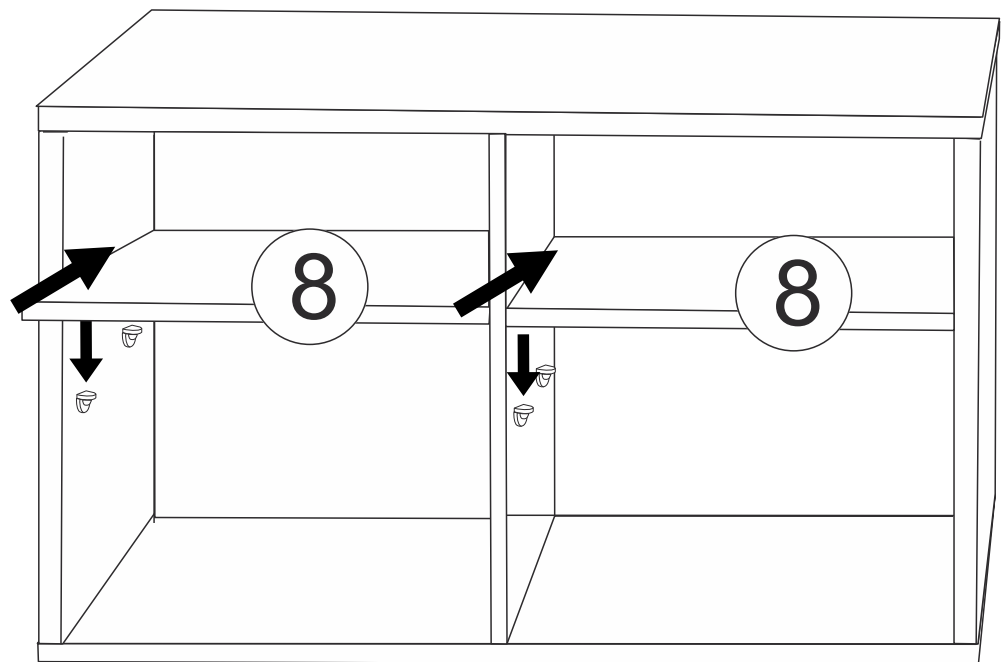
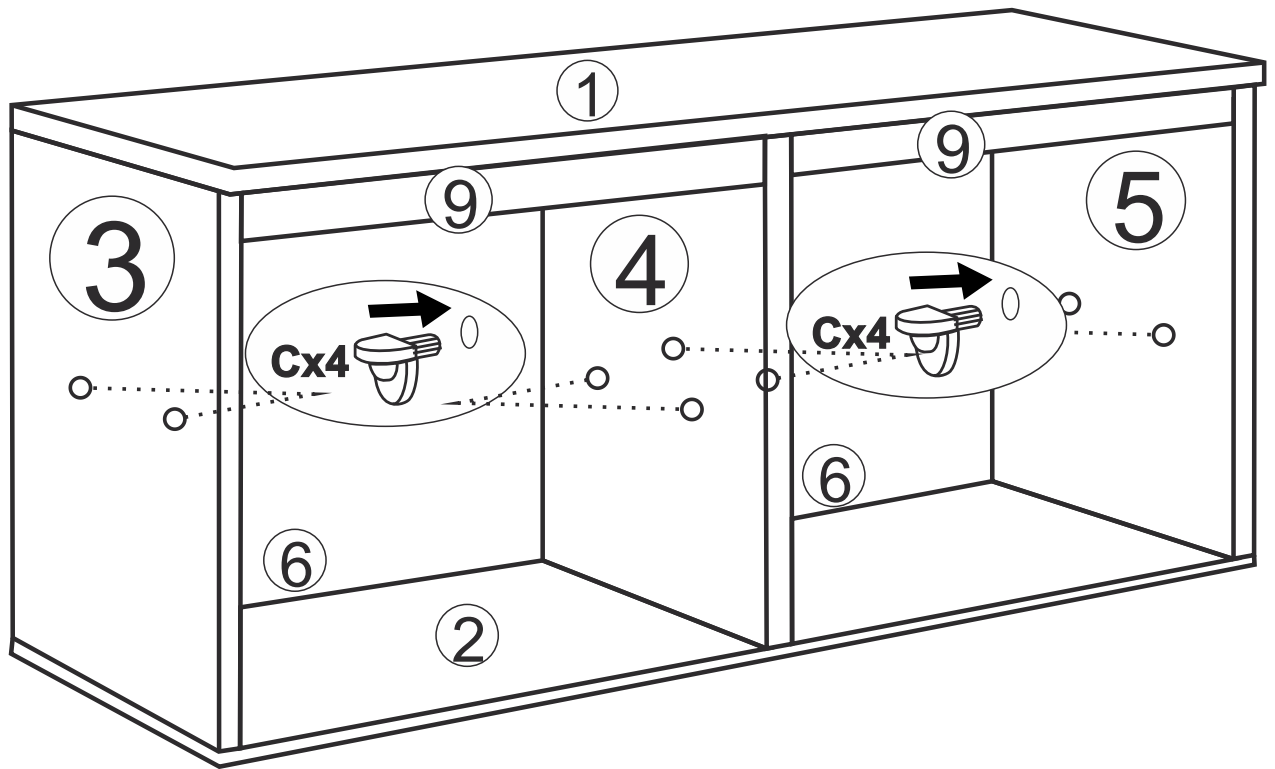









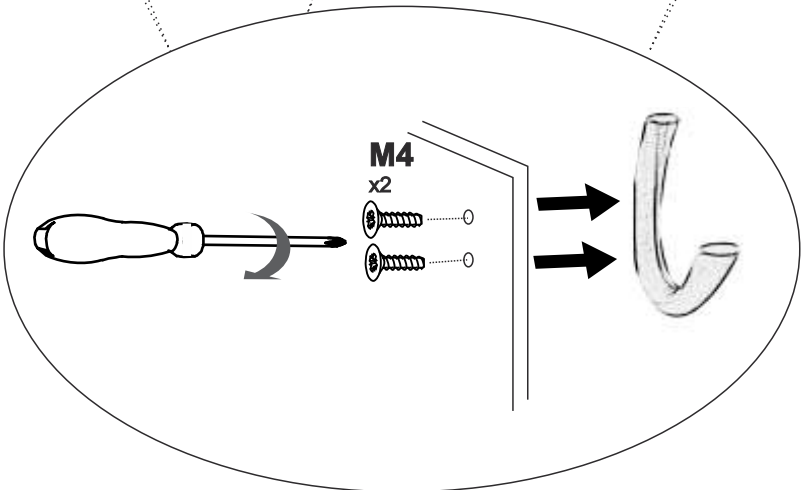
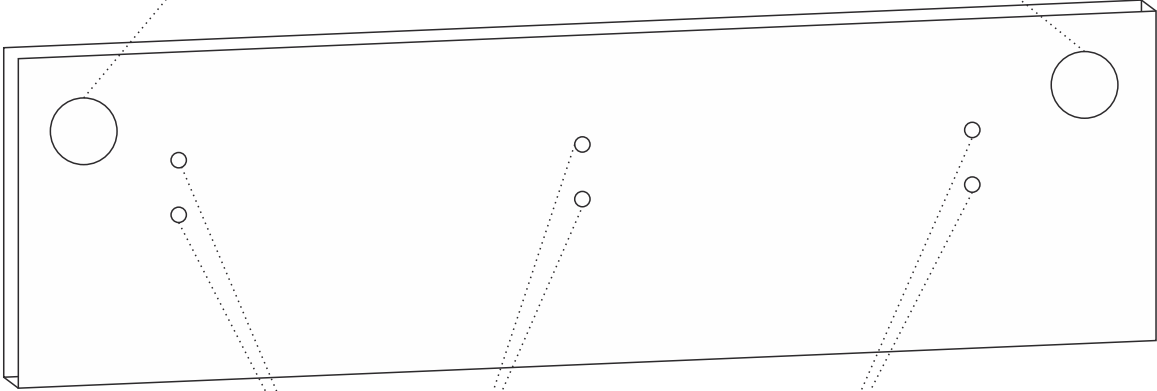
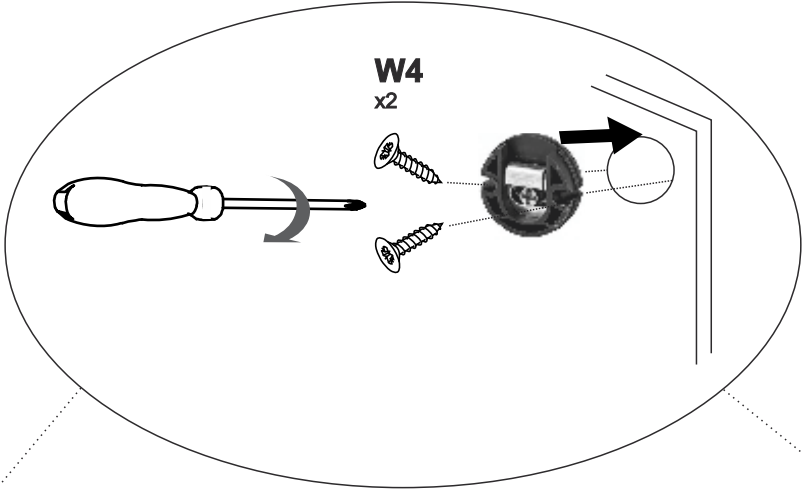
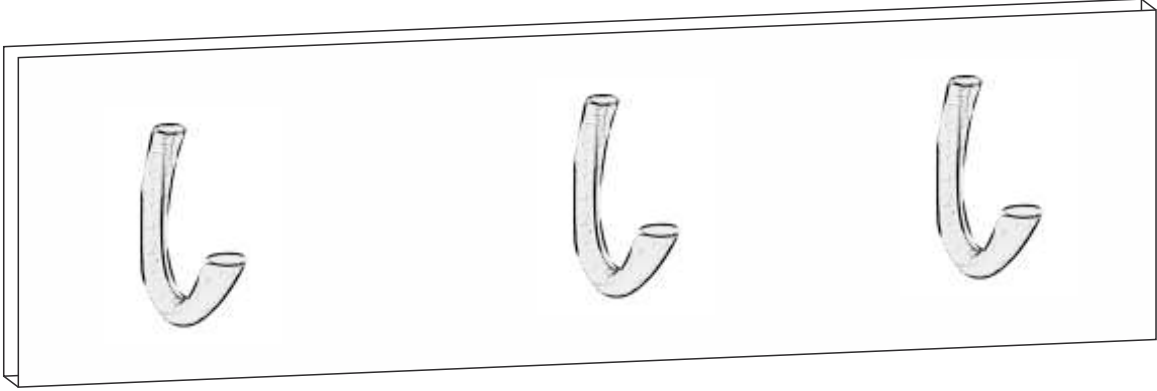




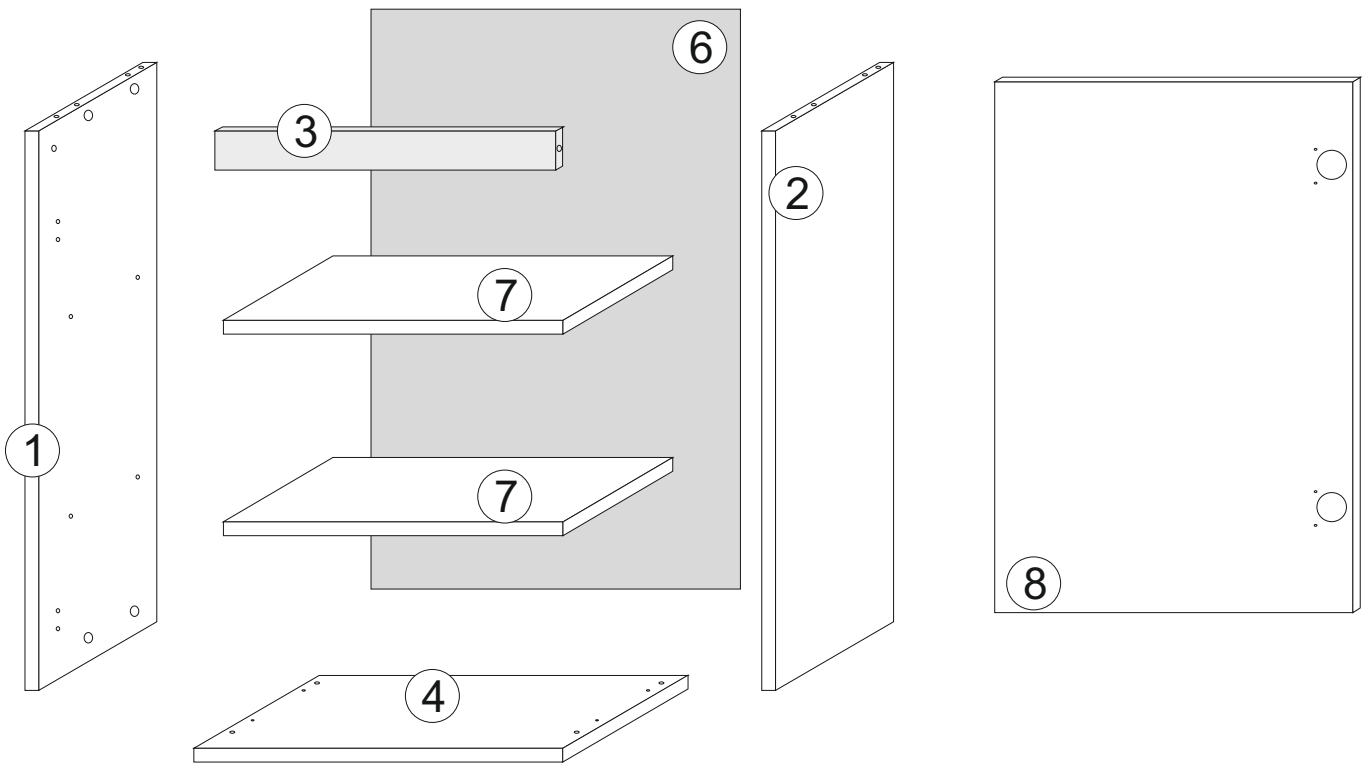
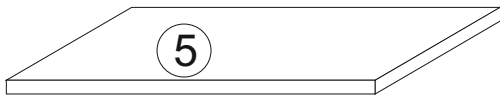
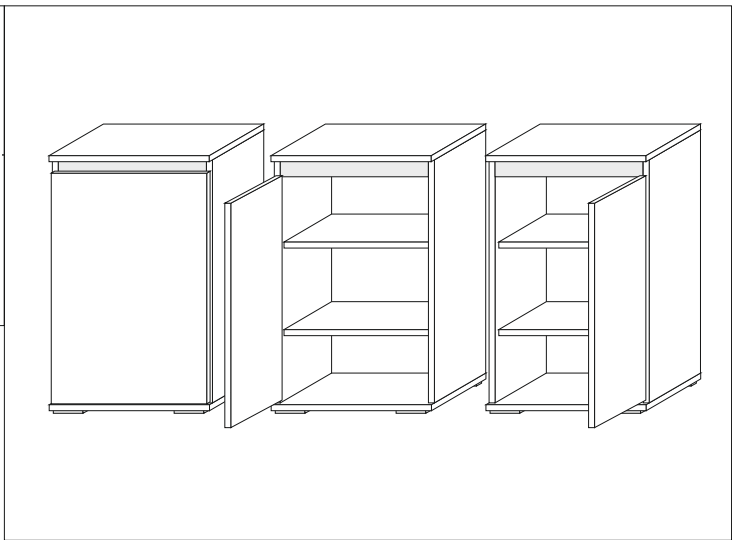


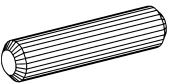
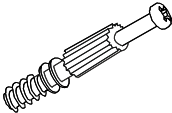
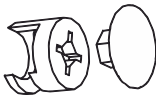
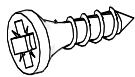


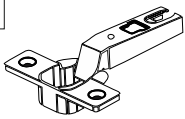
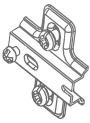
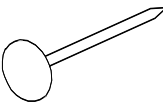

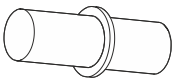

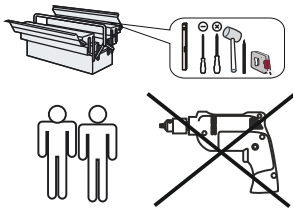

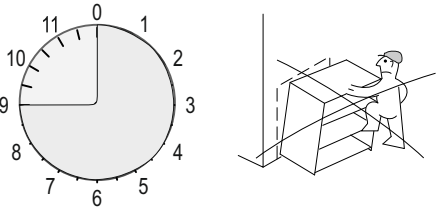


	<b>M4</b> 25mmx4  x6	 x3	 x2	<b>W4</b> 16mmx3,5  x4
---	--	---	---	--

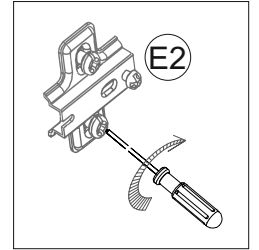
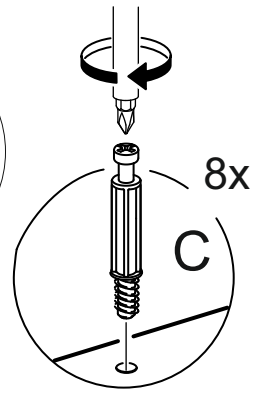
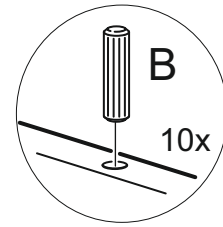
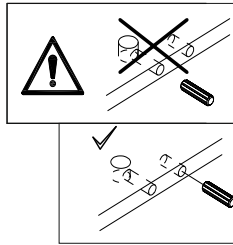
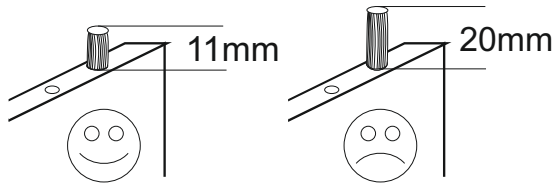




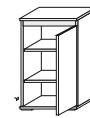
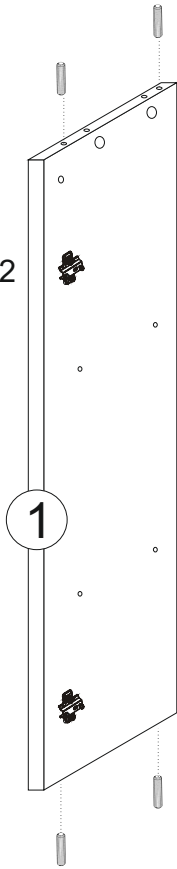


<b>B</b>  x10	<b>C</b>  x8	<b>D</b>  x8	<b>W1 3.5x16</b>  x4	<b>W3 3.5x25</b>  x8
<b>E3</b>  x4	<b>E1</b>  x2	<b>E2</b>  x2	<b>G</b>  x1	<b>N</b>  x4
<b>J</b>  x8	<b>A</b>  x1			
<b>Y</b>  x1				

I

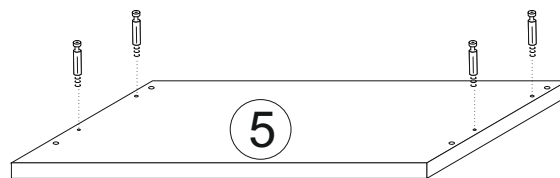
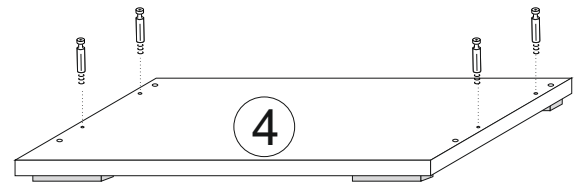
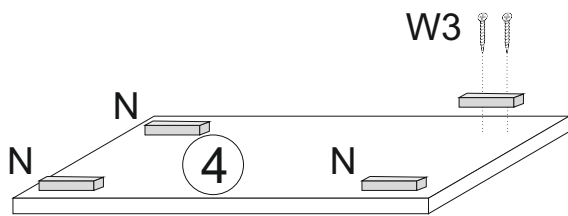
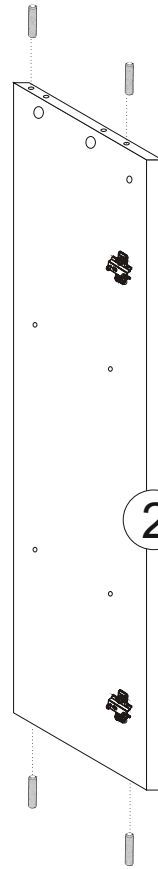


E2

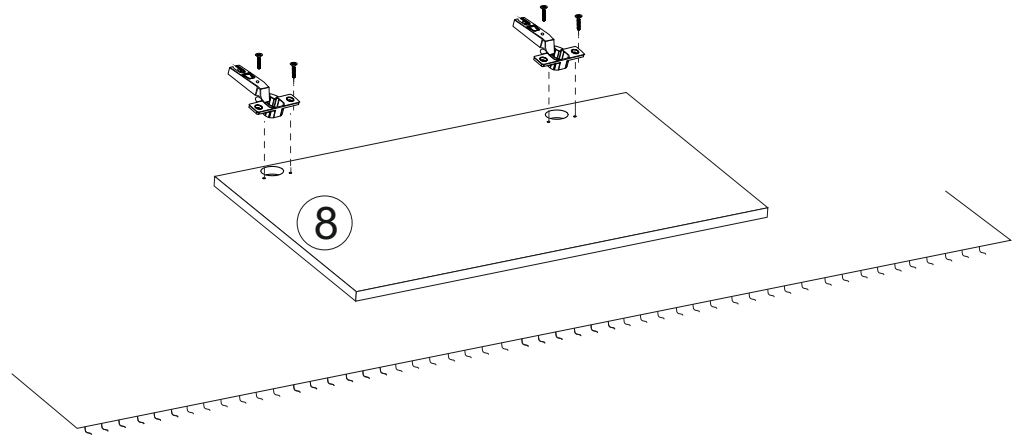
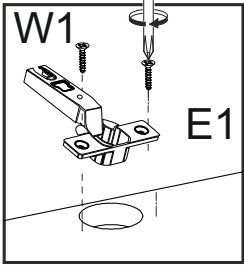


2

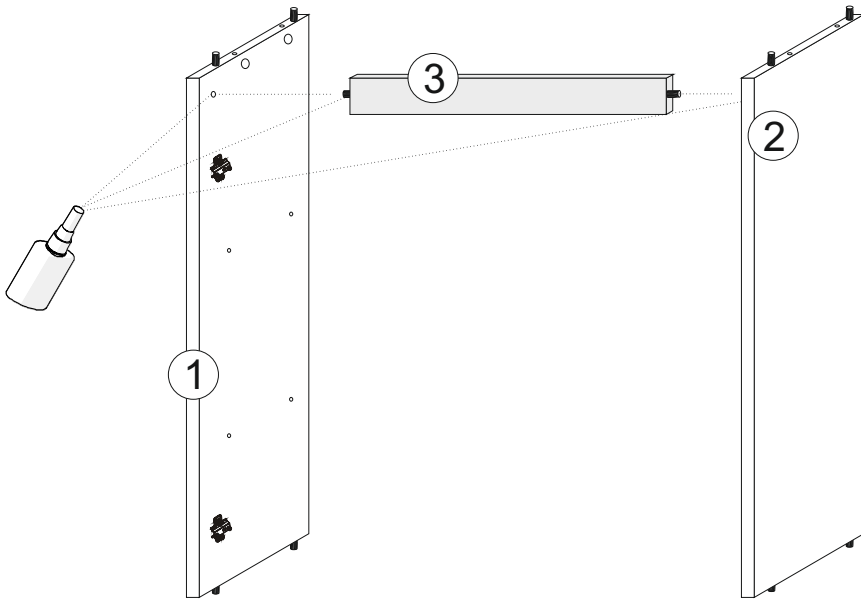
E2



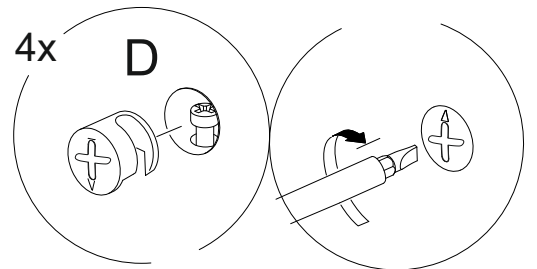
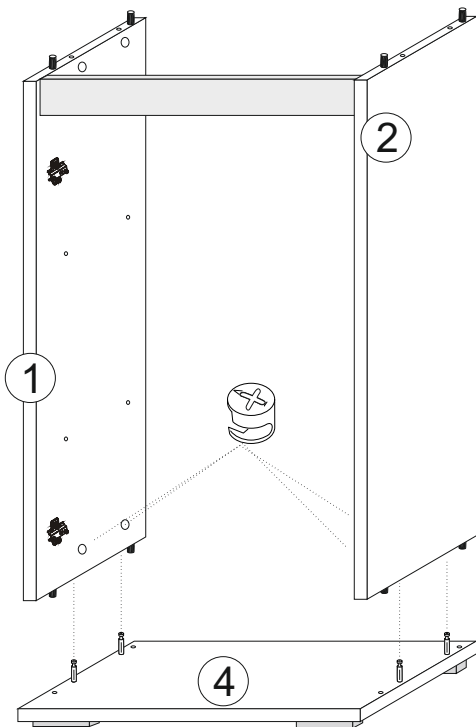
II



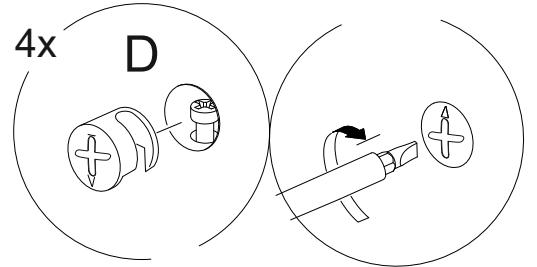
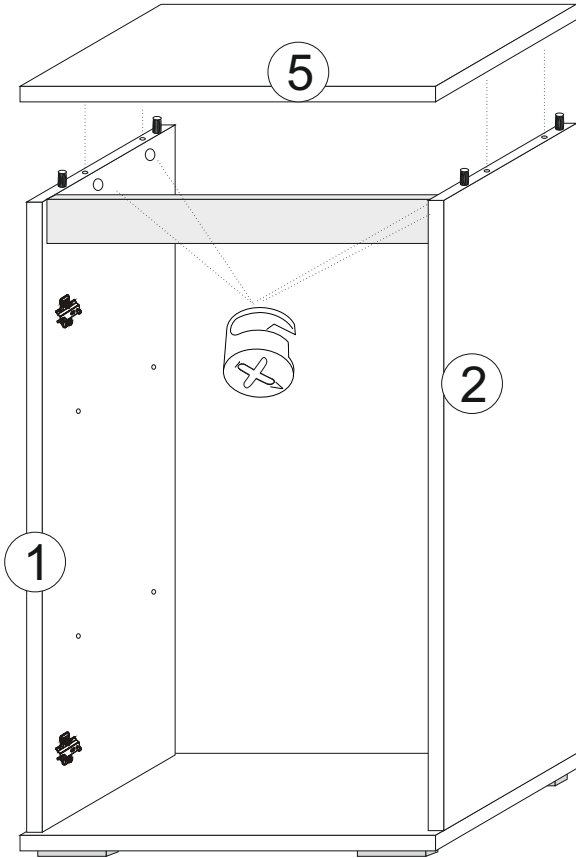
III



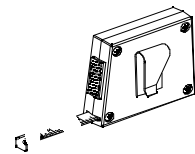
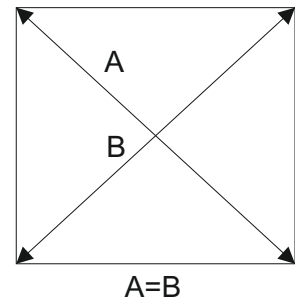
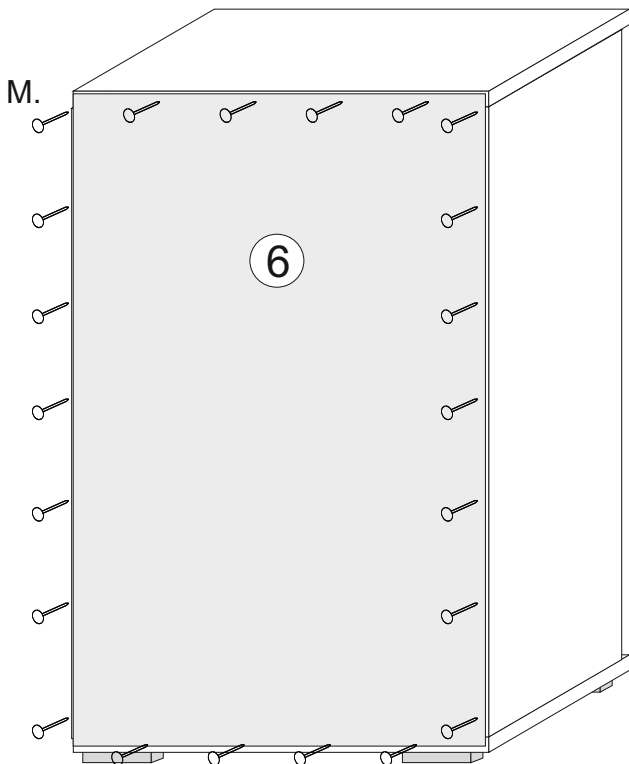
IV



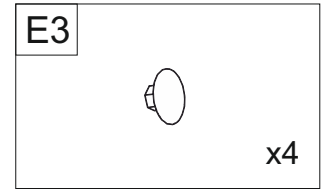
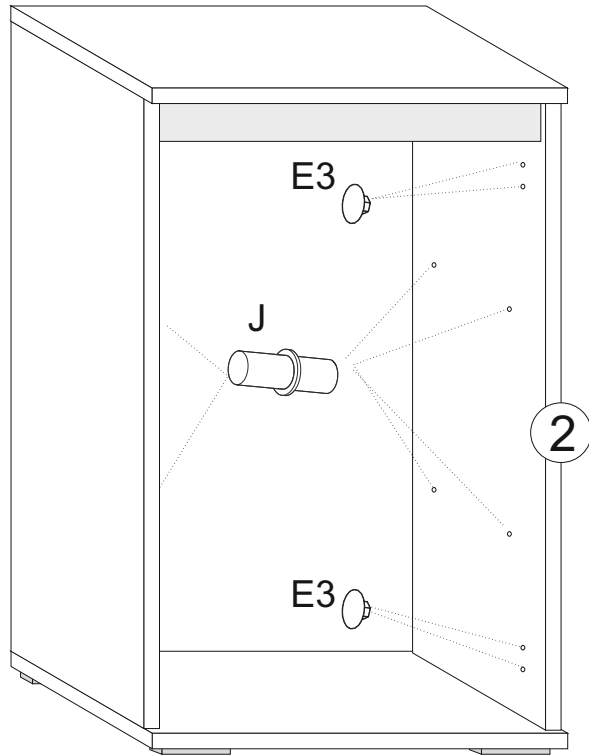
# V



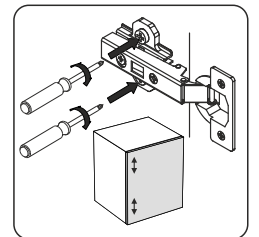
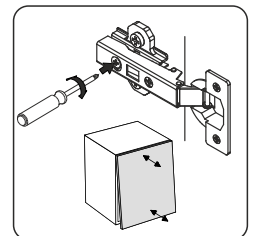
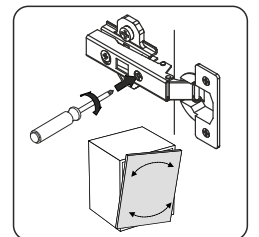
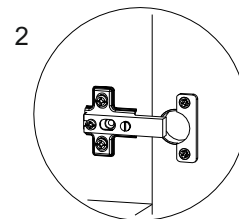
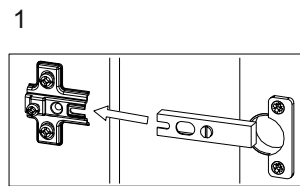
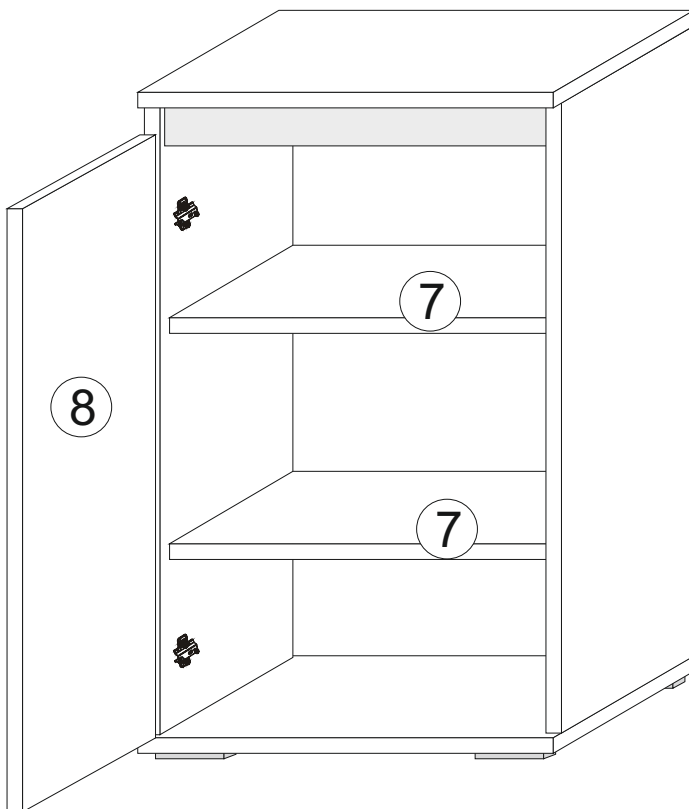
# VI



# VII



# VIII



# IX

