
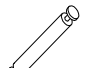


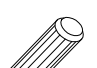

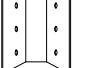


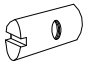




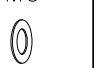


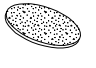

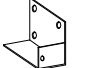


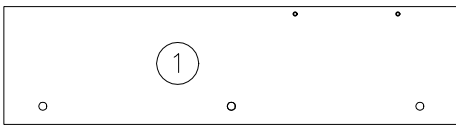
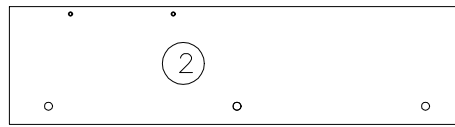
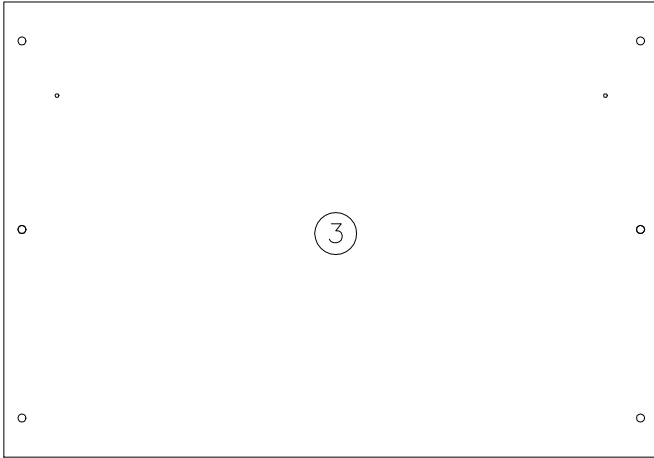
																			
A	B	B2																			
4	12	4																			
																					
P2	A2	D17	D5	D6	W12	L6	L12	L2	L5	W2											
14	6	8	4	20	12	2	2	4	4	2											
																					
F	M27	T10	T12	W17	W11	C16	C1	L14	L16	I2											
8	6	6	6	12	12	4	6	2	2	1											



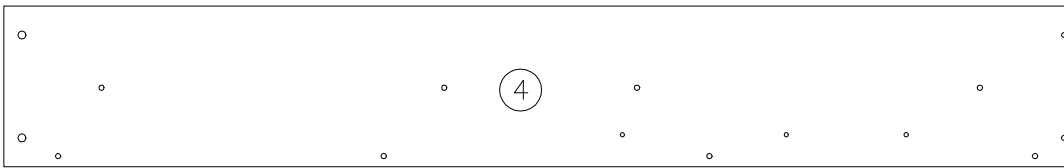
850x220x22



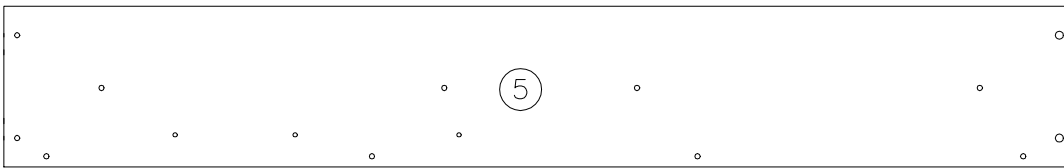
850x220x22



1423x850x15



2005x300x22

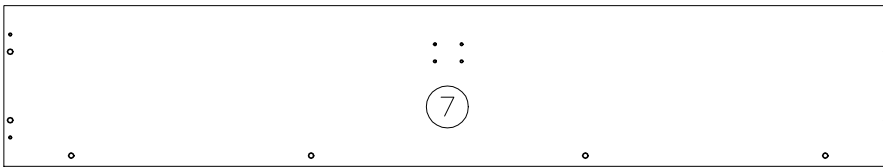


2005x300x22

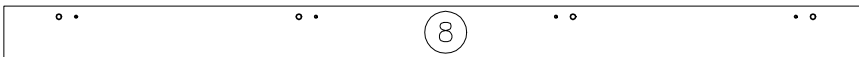


x2

1983x100x22



1860x300x22

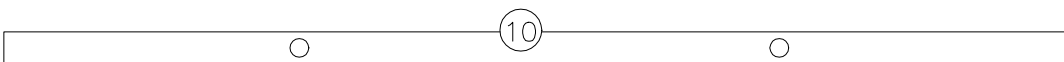


1814x100x22

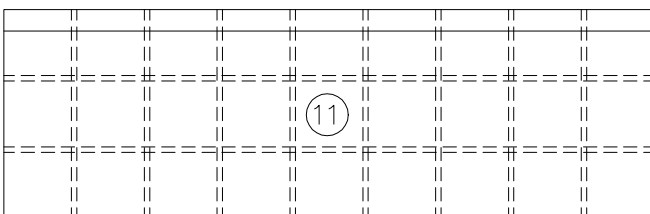


x4

800x35x35

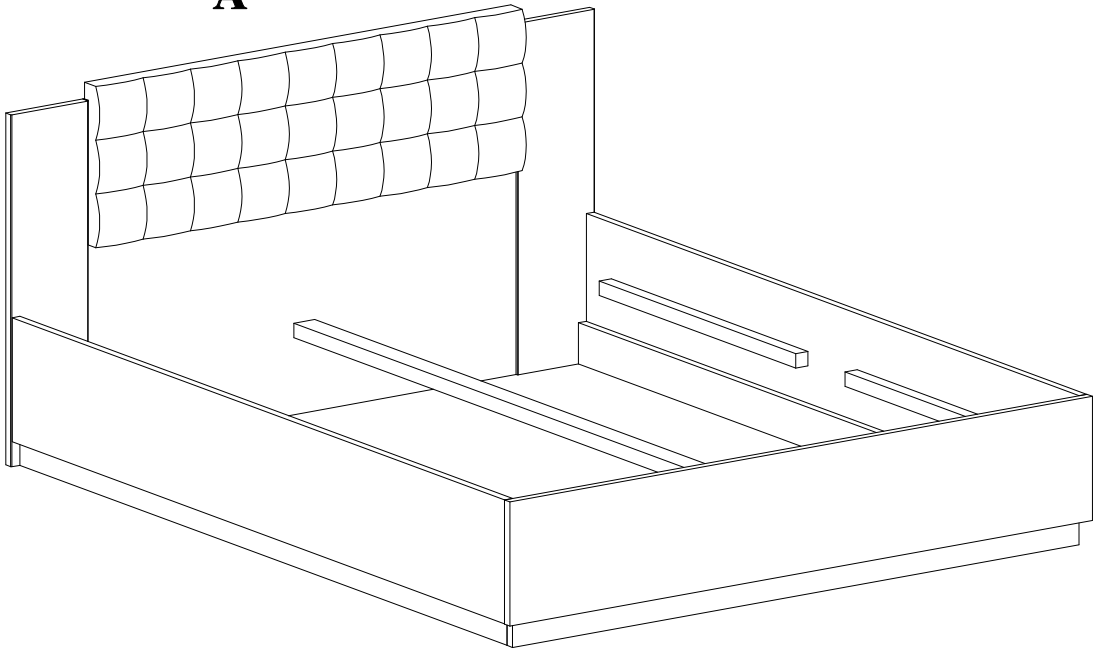


2005x60x35

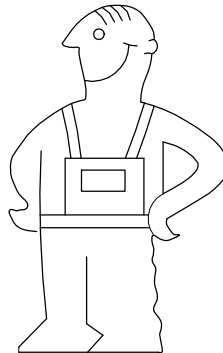


1415x390x63

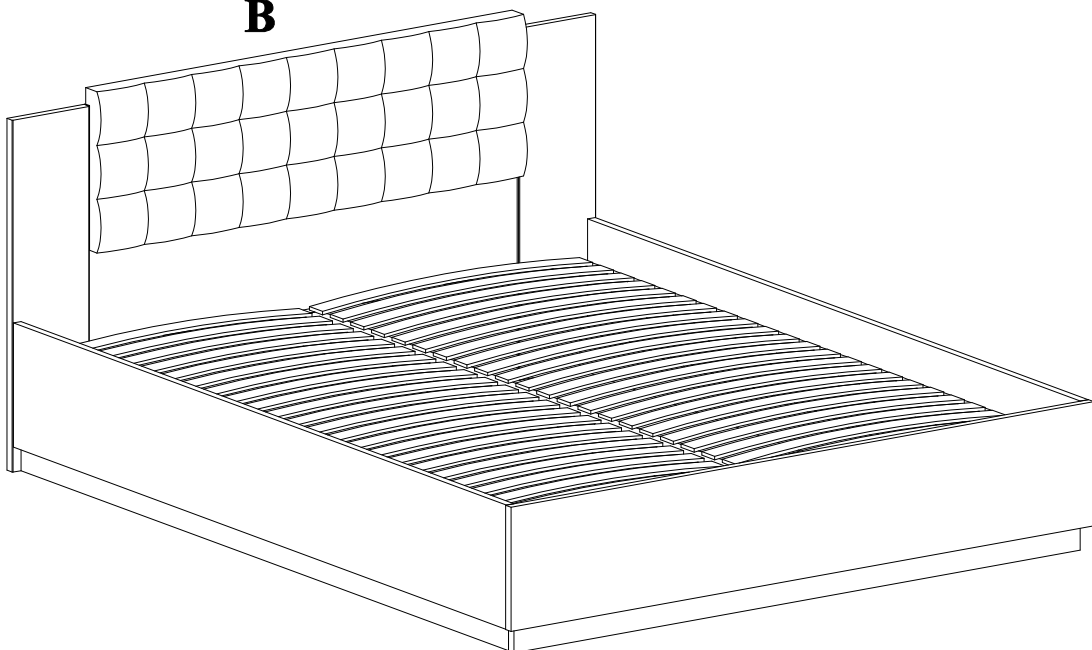
**A**

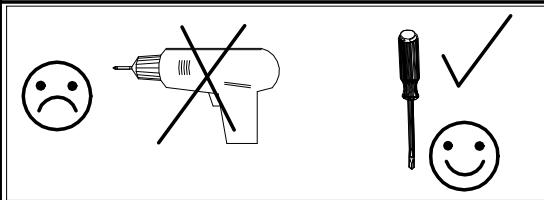
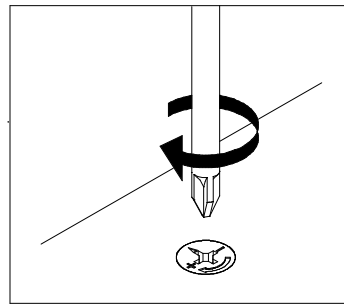
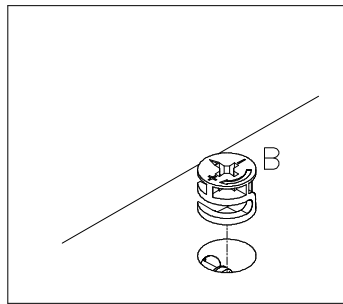
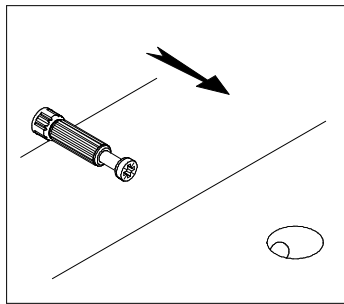
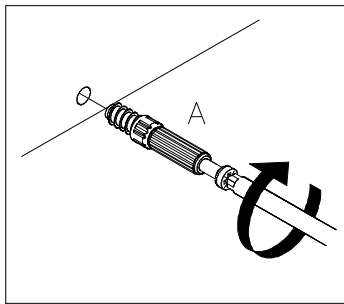


**A/B**



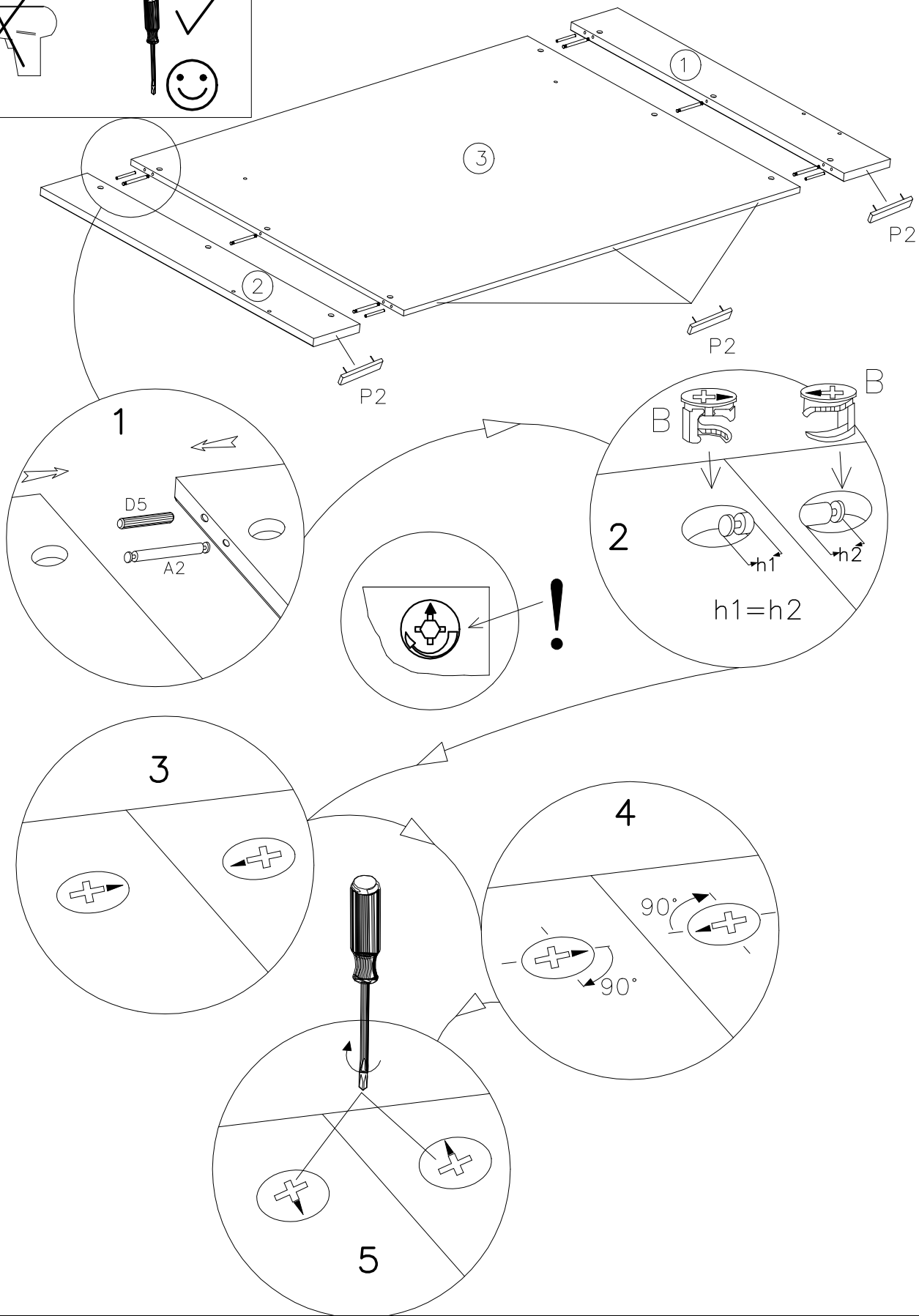
**B**

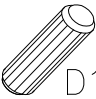





1

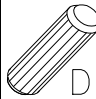

- B  
12
- A2  
6
- D5  
4
- P2  
5



10.0x45  D17	3.5x50  W17
8	12

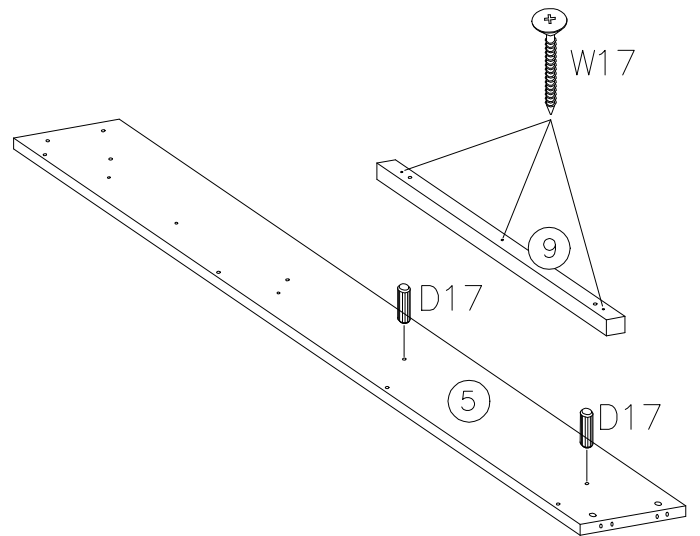
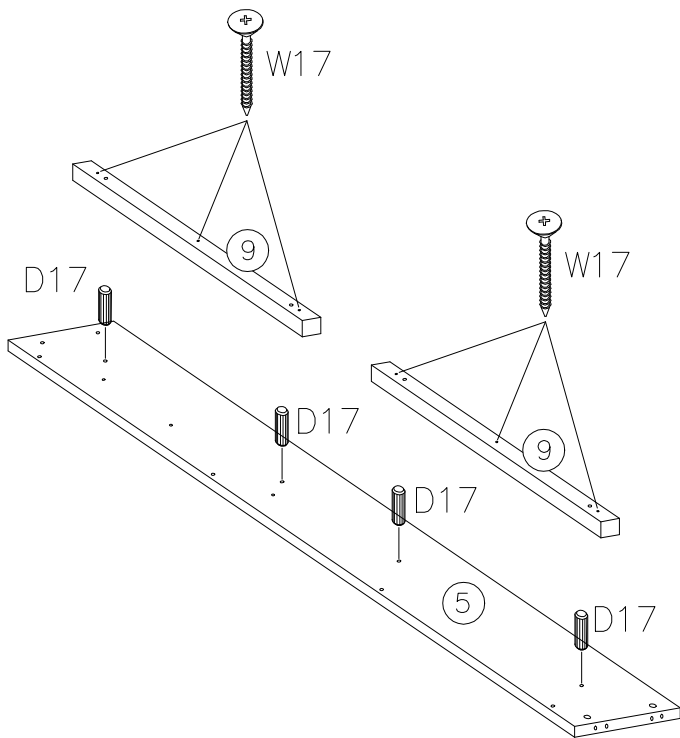
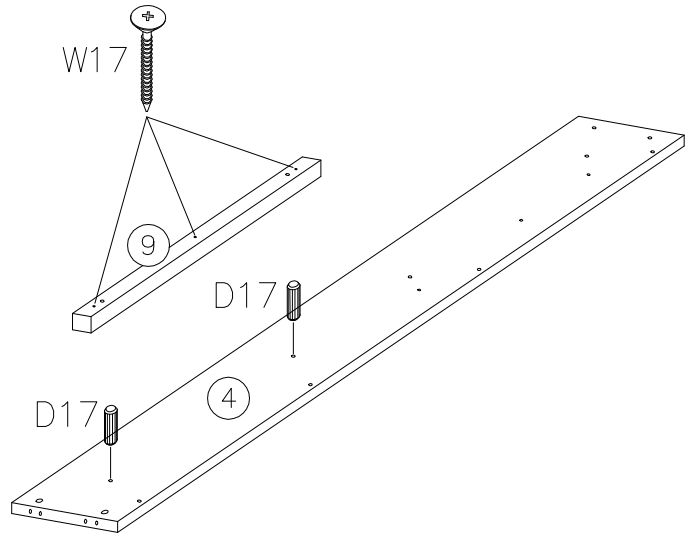
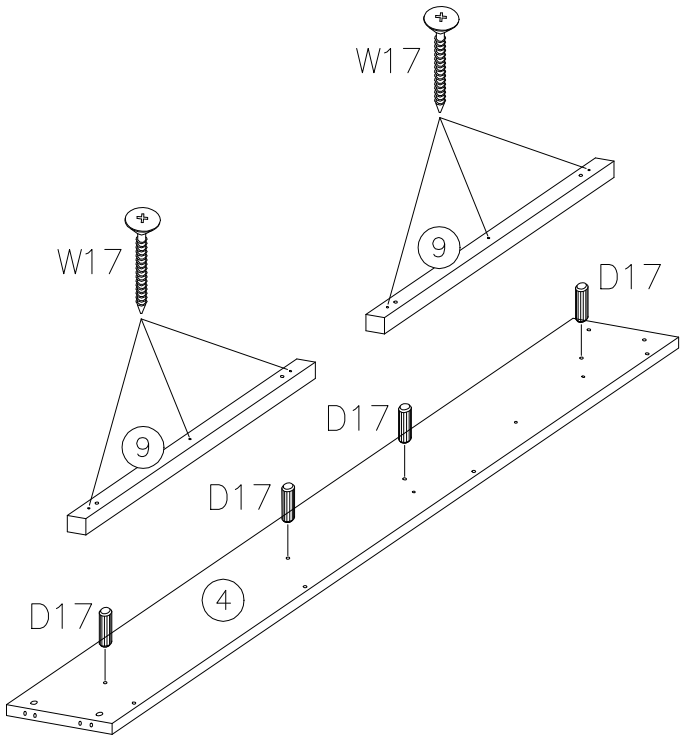
2

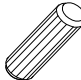


**A**

10.0x45  D17	3.5x50  W17
4	6

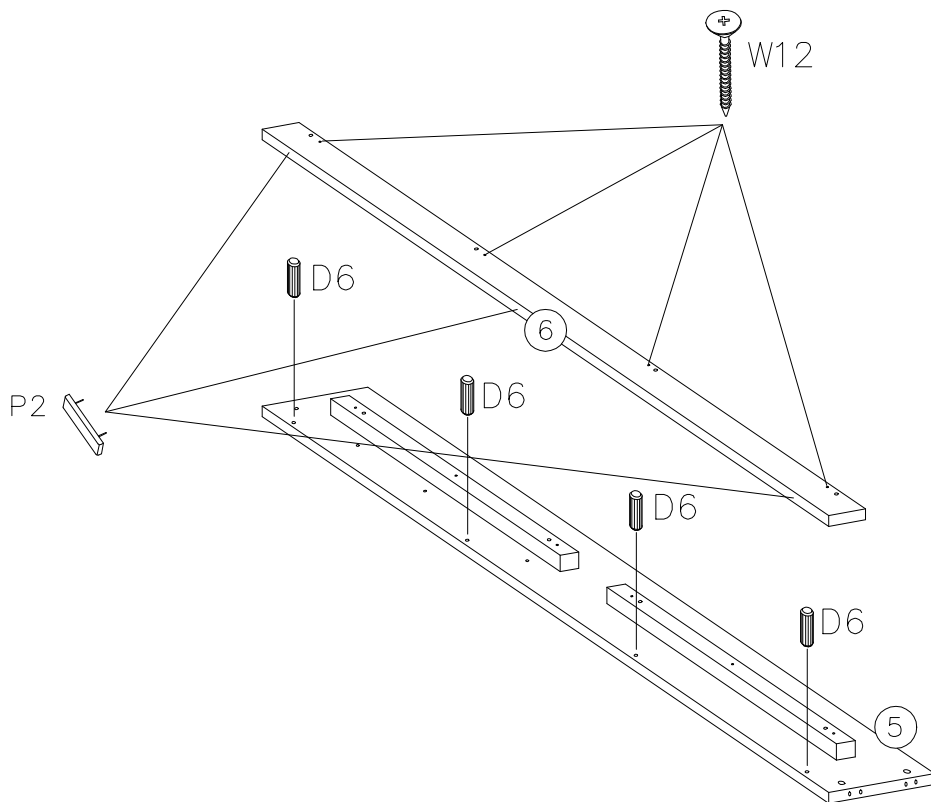
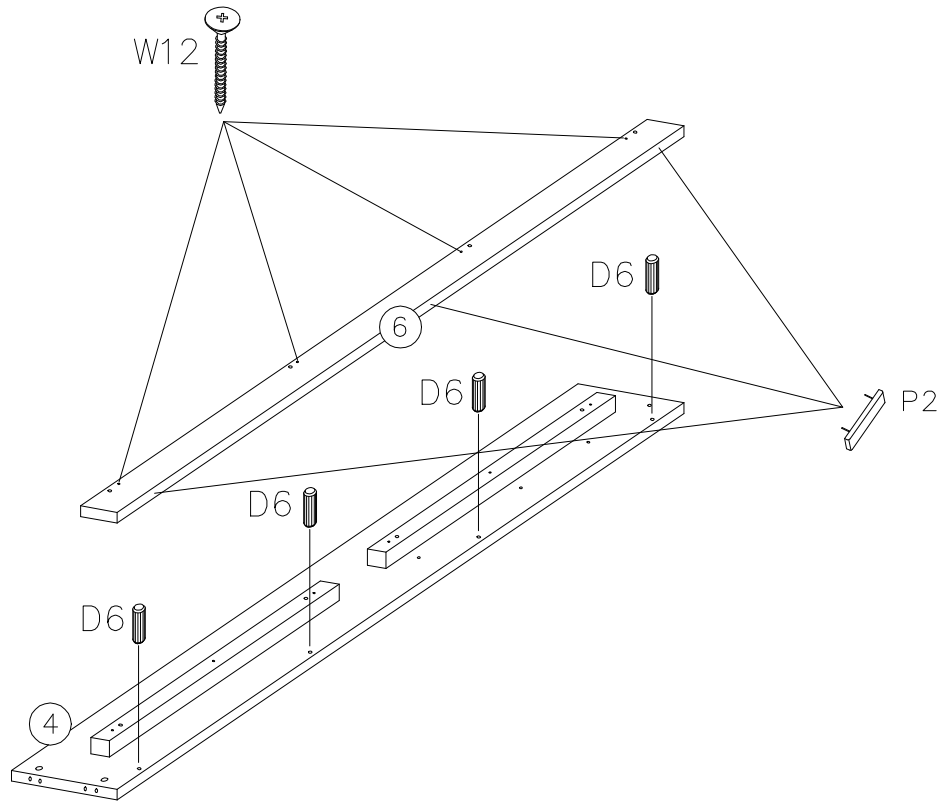
2

**B**

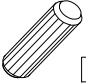




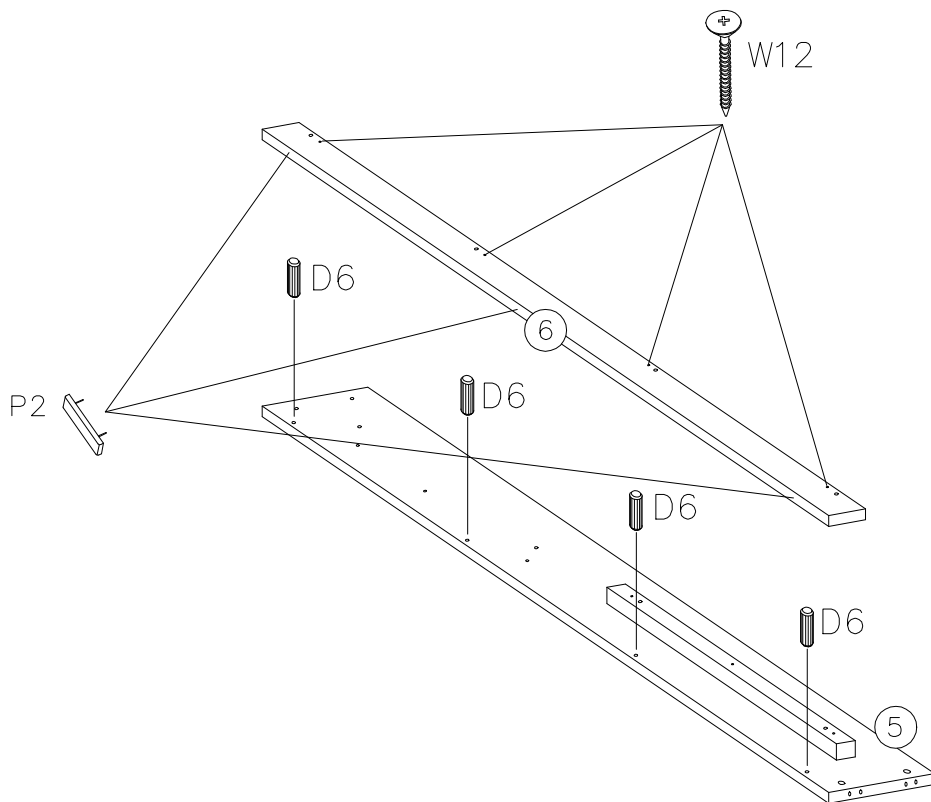
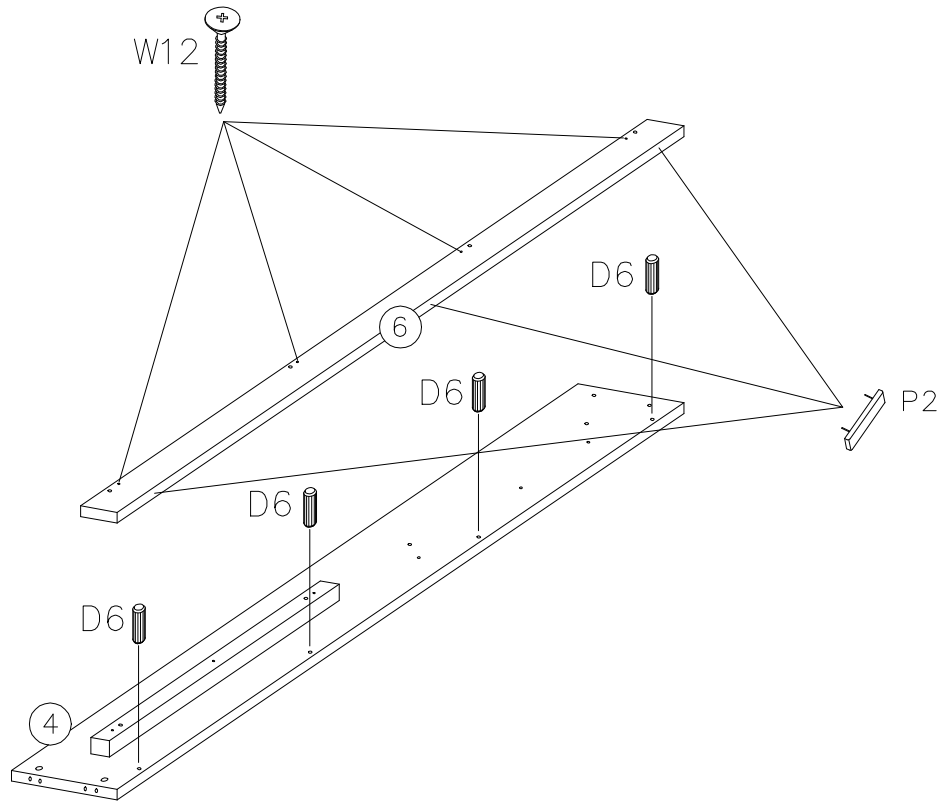
10.0x35  D6 8	3.5x40  W12 8	 P2 6
---	--	---

A

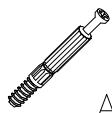
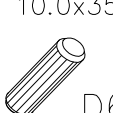
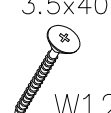



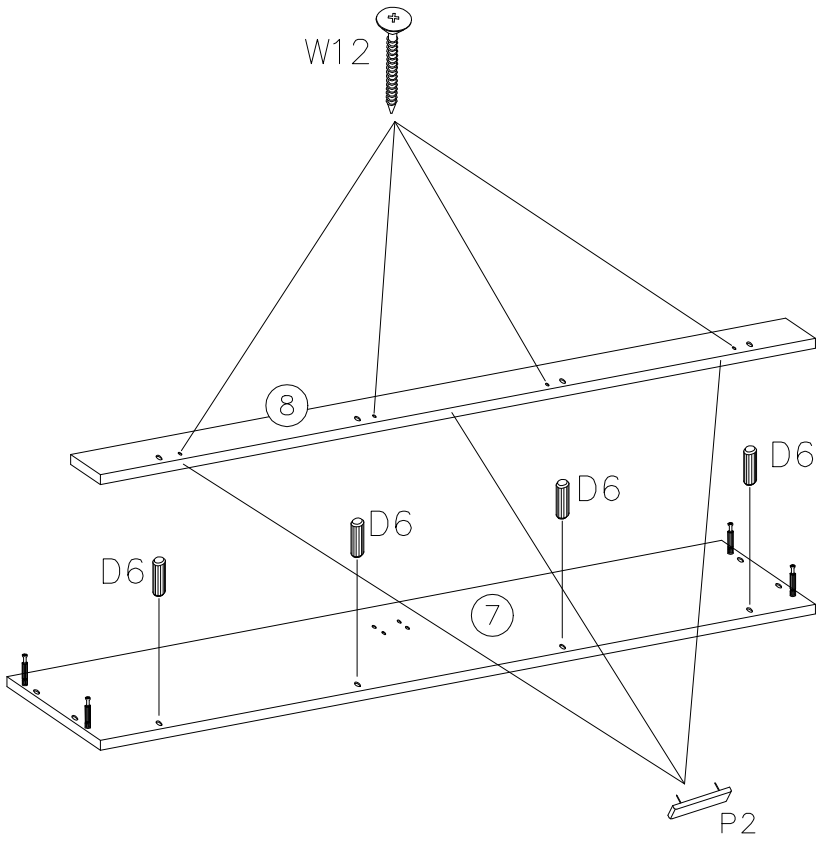
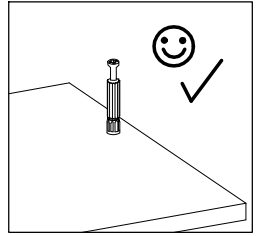
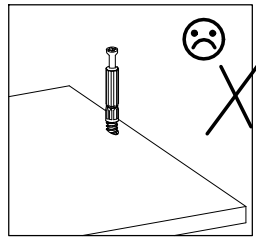
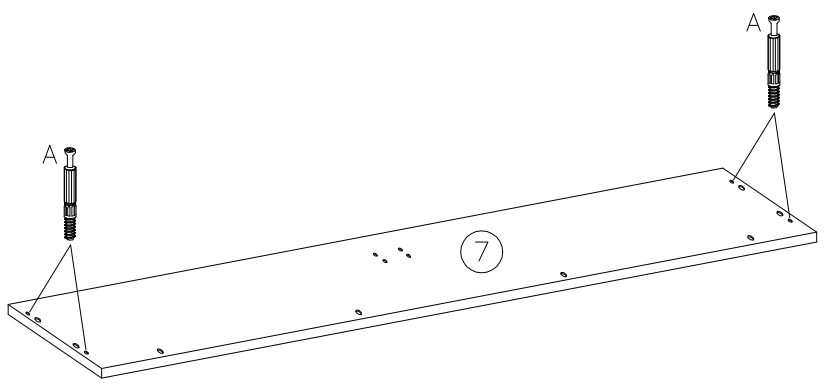
**B**

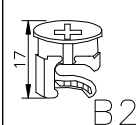
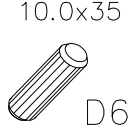

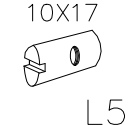
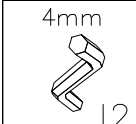
10.0x35  D6 8	3.5x40  W12 8	 P2 6
---	--	---

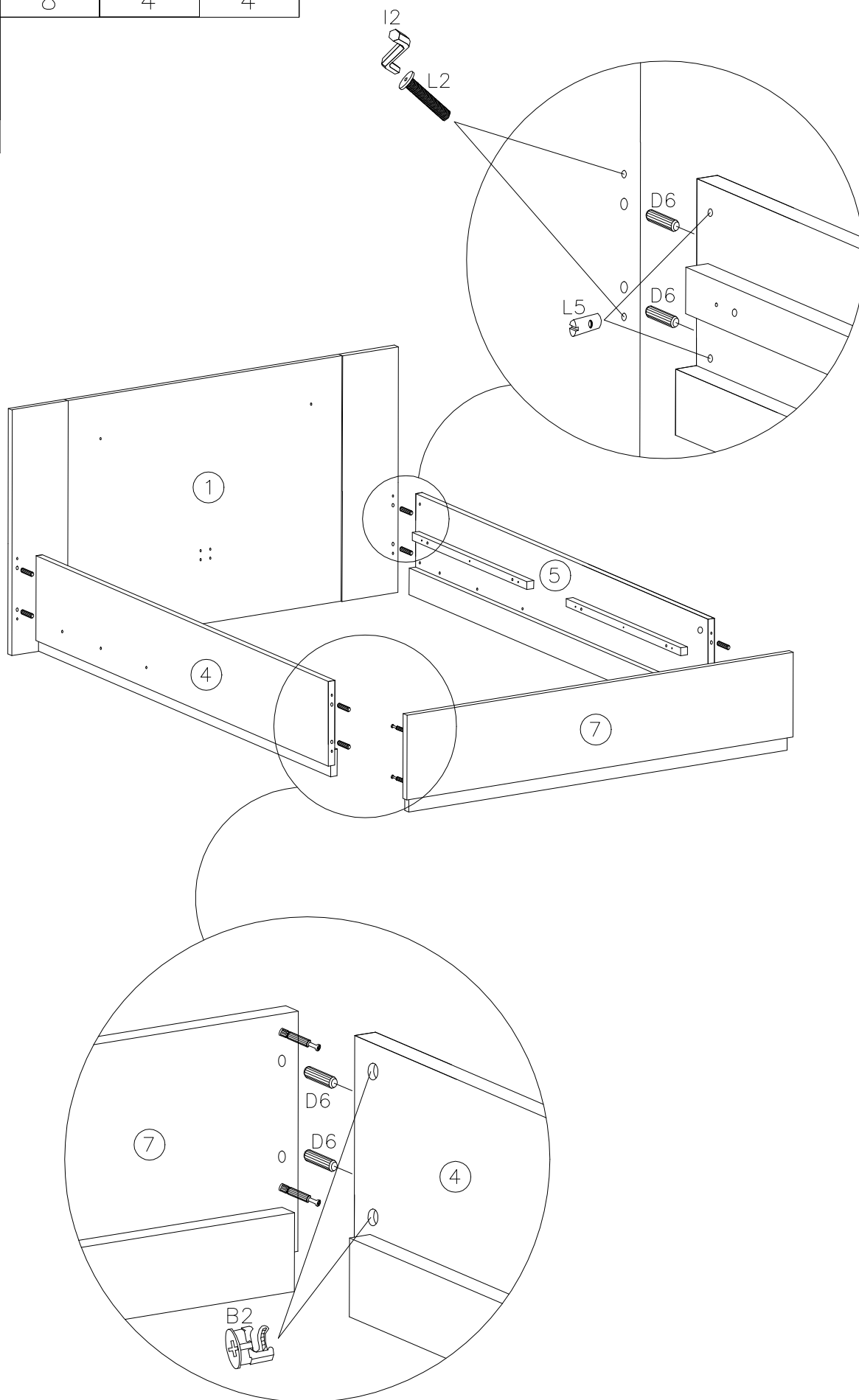



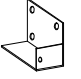




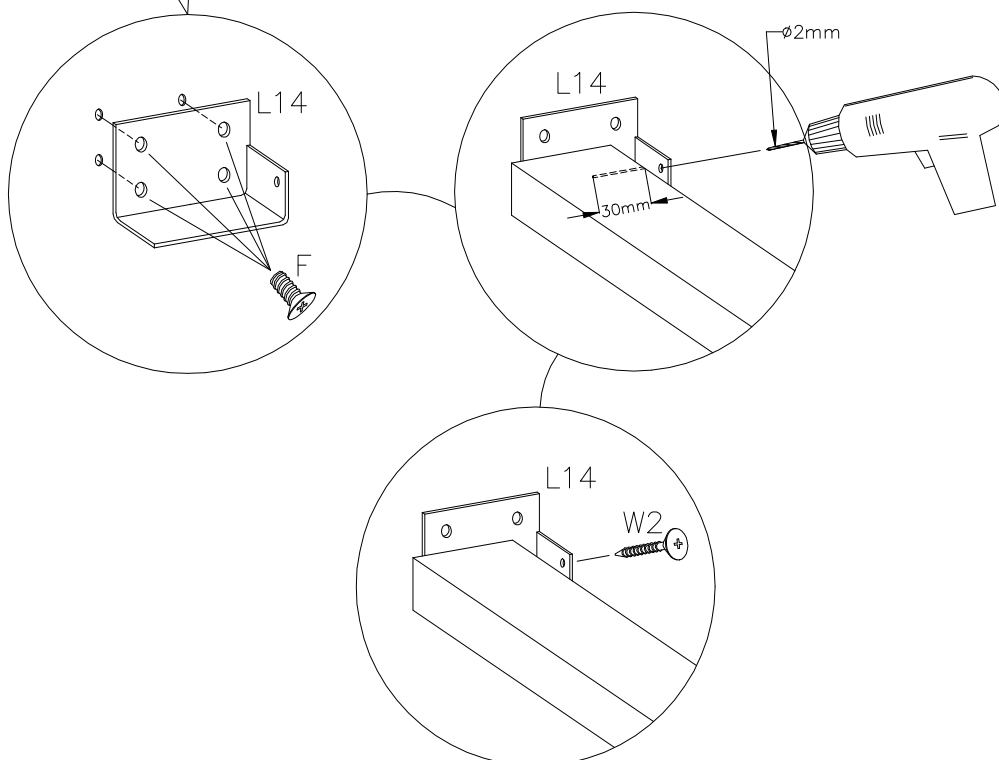
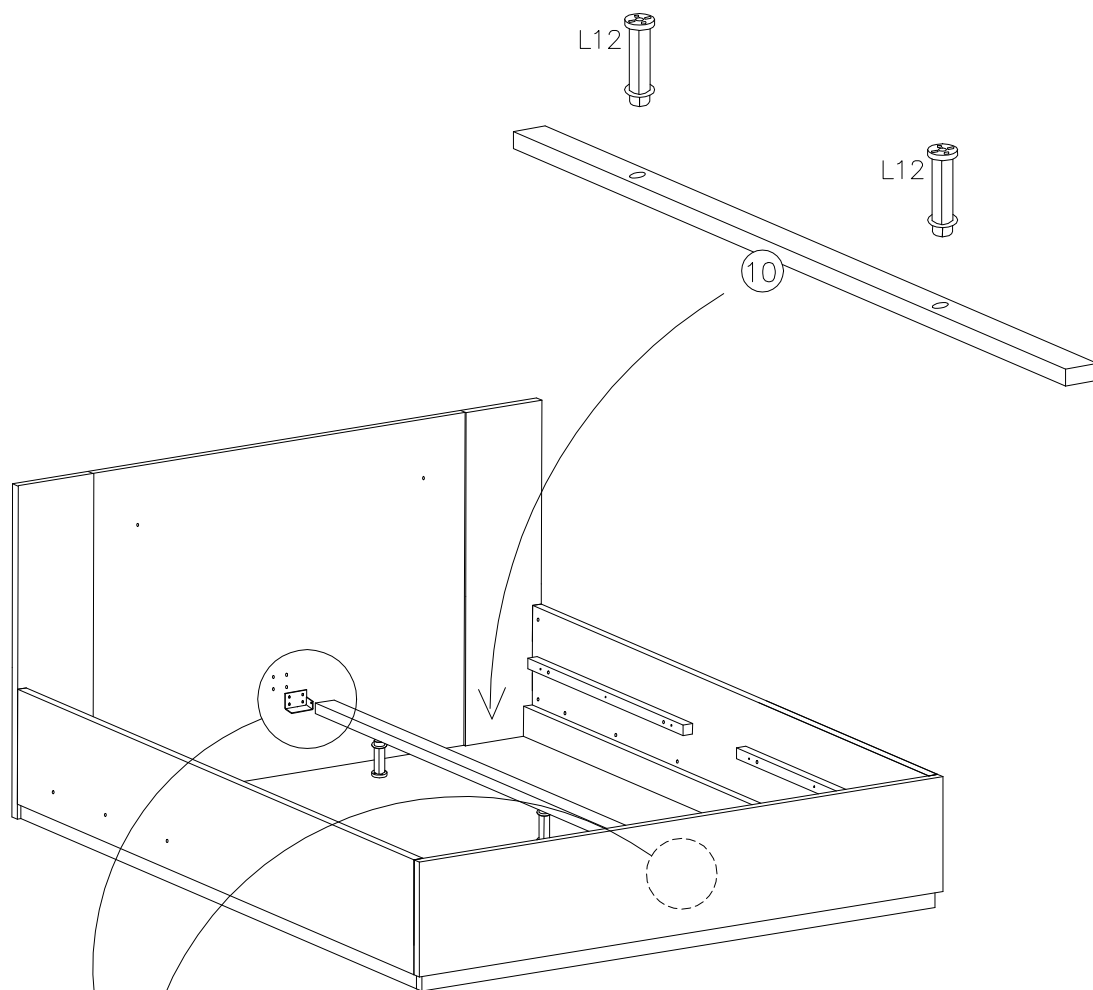
 A	 10.0x35 D6	 3.5x40 W12	 P2
4	4	4	3







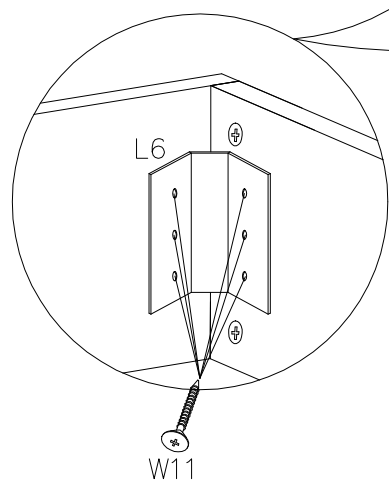
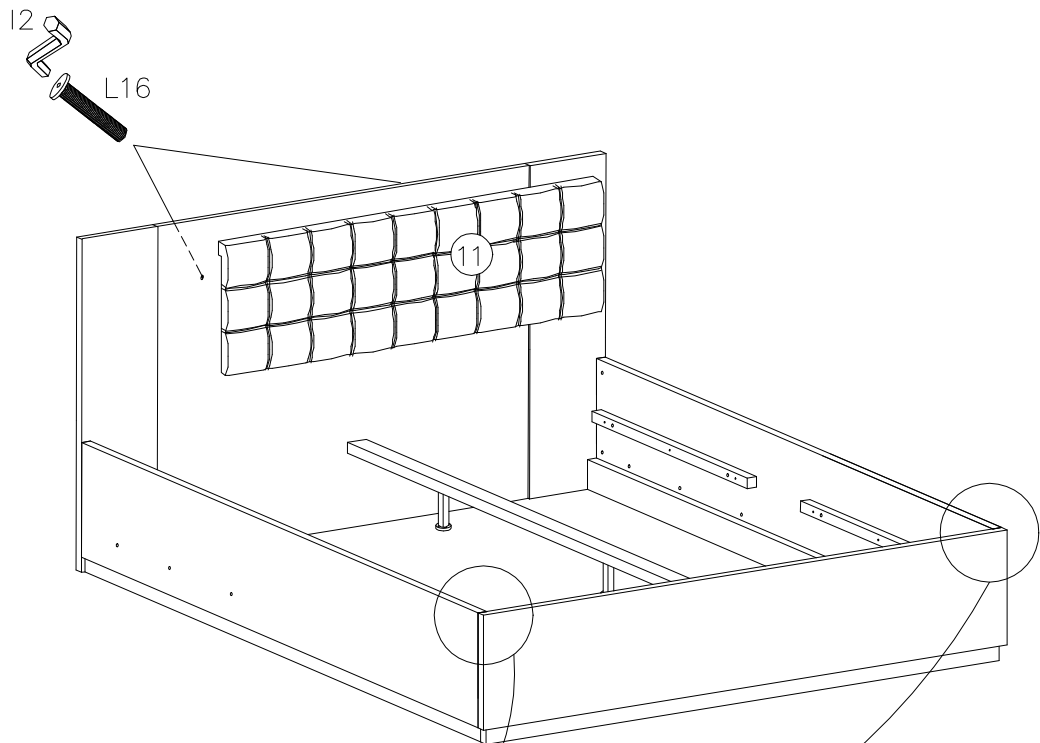
 B2	 D6	 L2	 L5
4	8	4	4
 4mm			
12			
1			




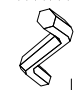
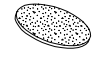
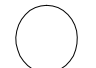



		6.3x13 	3.5x30 
L12	L14	F	W2
2	2	8	2

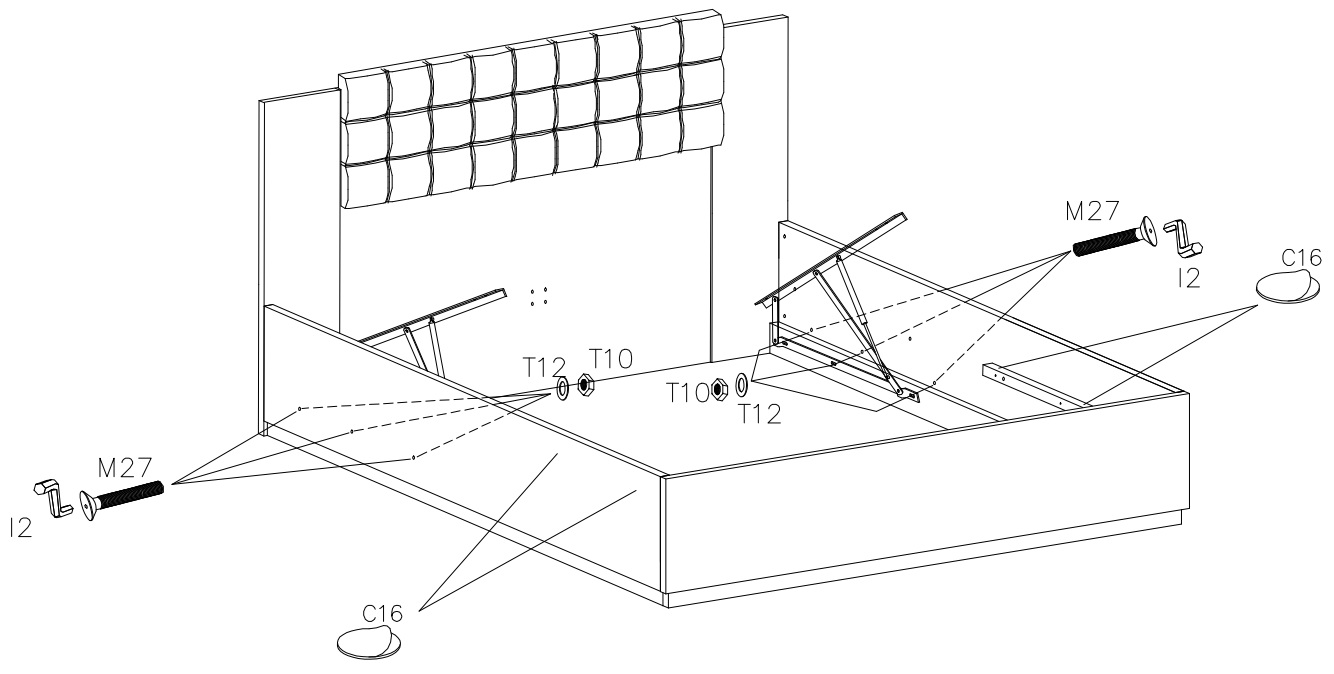




 L6	 4.0x20 W11	 M6.0x25 L16	 4mm I2
2	12	2	1



M6.0x40  M27 6	M6  T10 6	M6  T12 6	4mm  I2 1	 C16 4	 C1 6	
--	--	--	--	--	---	--

**B**



M27 	C1 
---	---