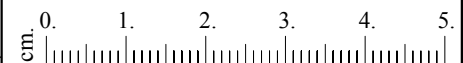
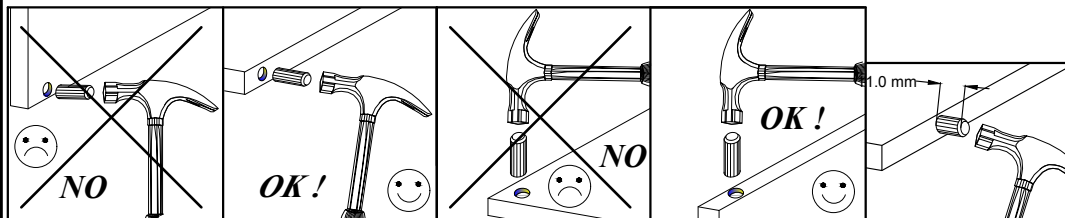
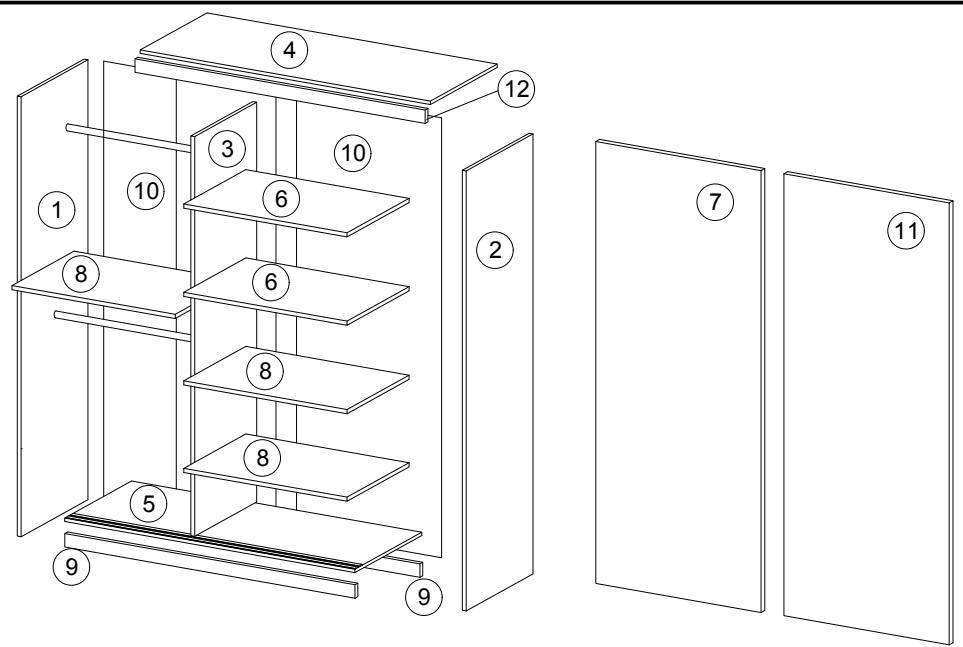


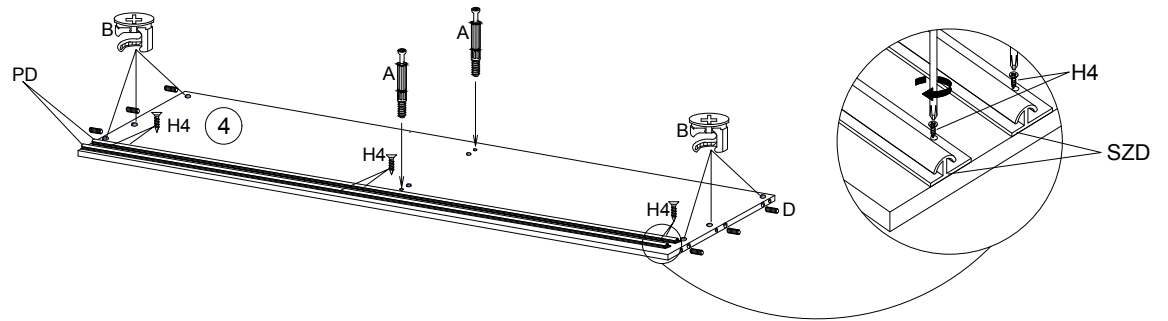
8.0x35  D 16	4.0x25  G 4	 Y 12	 A 28	 B 28	3.5x16  H 24	 V 12	 N 4	 K2 4	 K1 4	 S3 8
 X 20	 F 2	 S 19	 S1 40	 I 30	L-465  V1 2	6.3x13  Q 8	 J 8	 PD 4	3.0x13  H4 12	



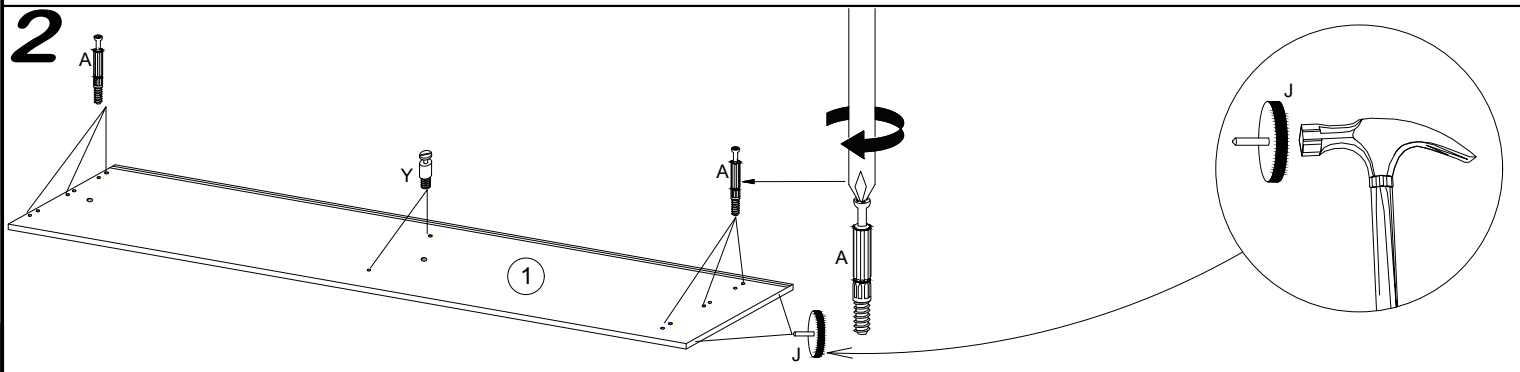
No.	Pcs.	L	W	D
1.	1	2000	620	16
2.	1	2000	620	16
3.	1	1888	480	16
4.	1	968	582	16
5.	1	968	600	16
6.	2	475	480	16
7.	1	1873	750	16
8.	3	475	480	16
9.	2	968	80	16
10.	2	1918	492	3
11.	1	1873	750	16
12.	1	968	70	16



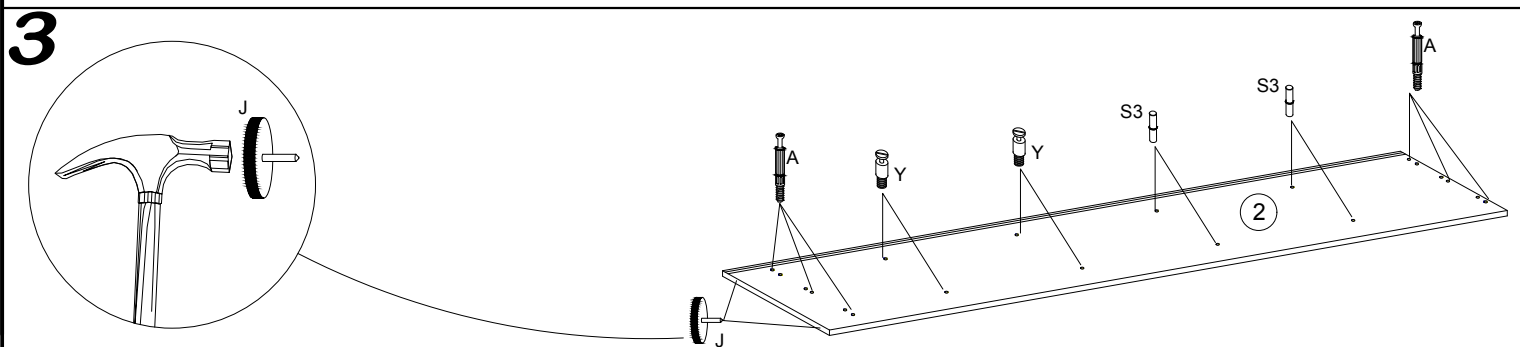
**1**



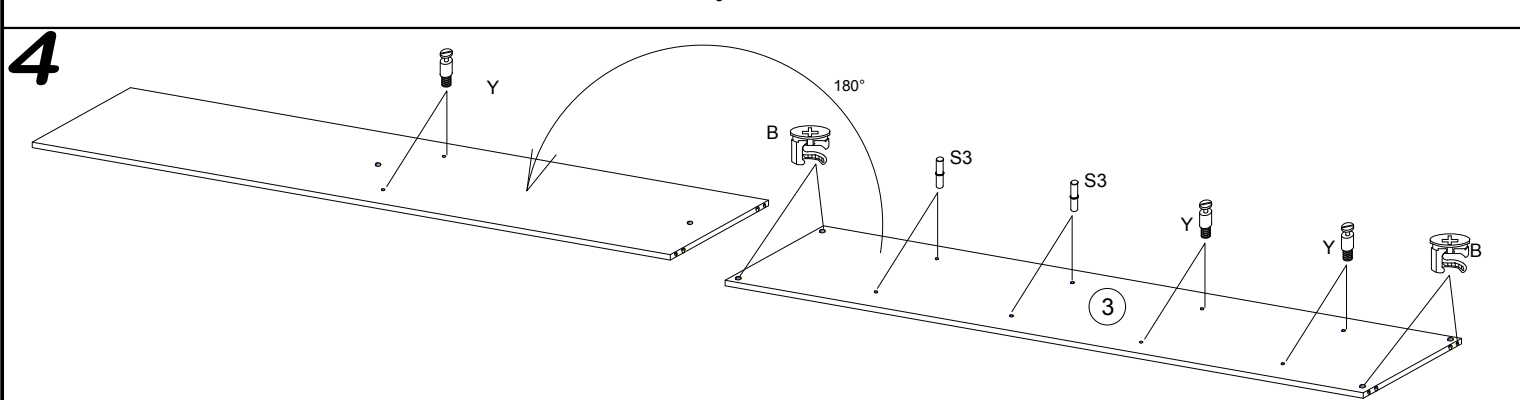
**2**



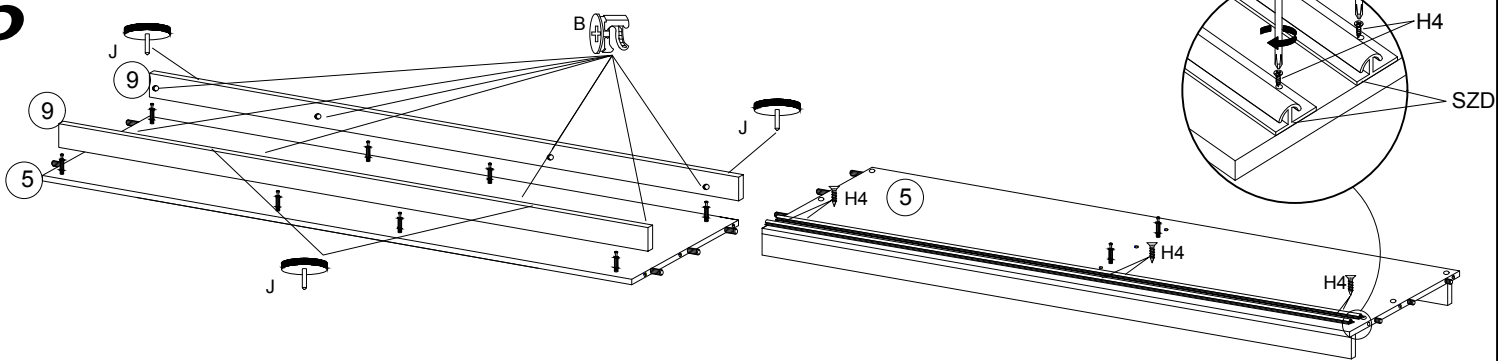
**3**



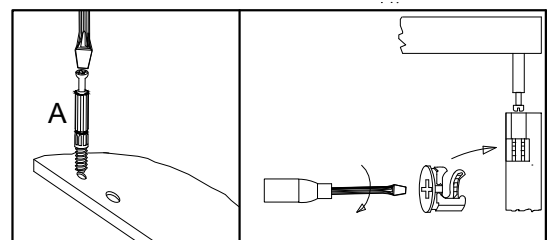
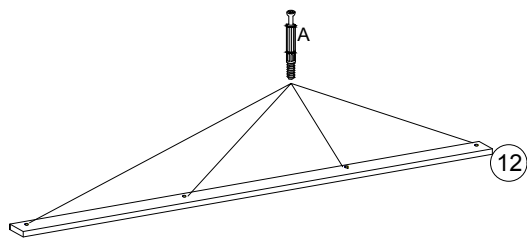
**4**



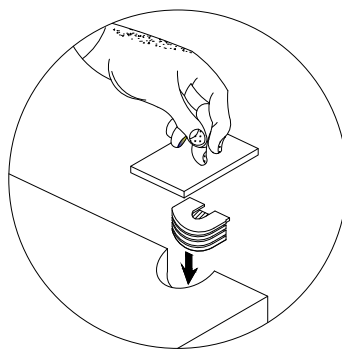
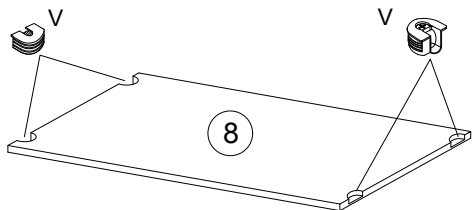
5



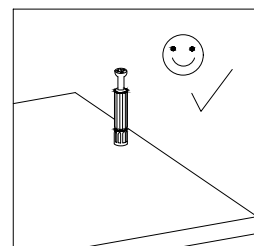
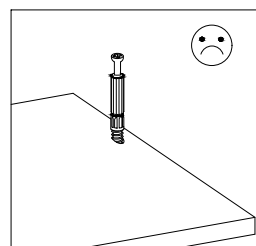
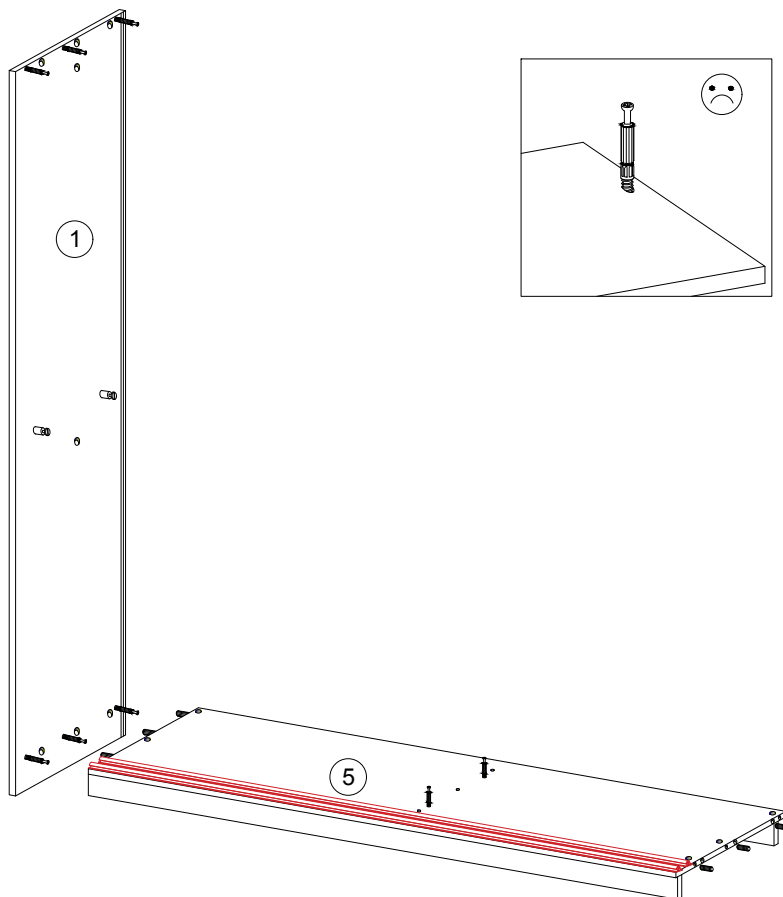
6



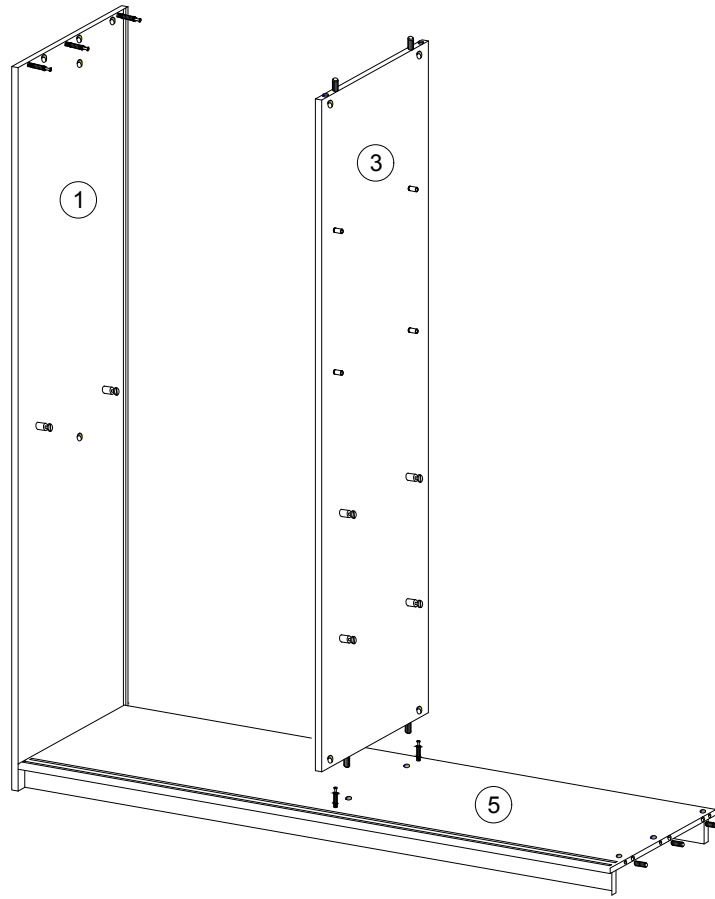
7



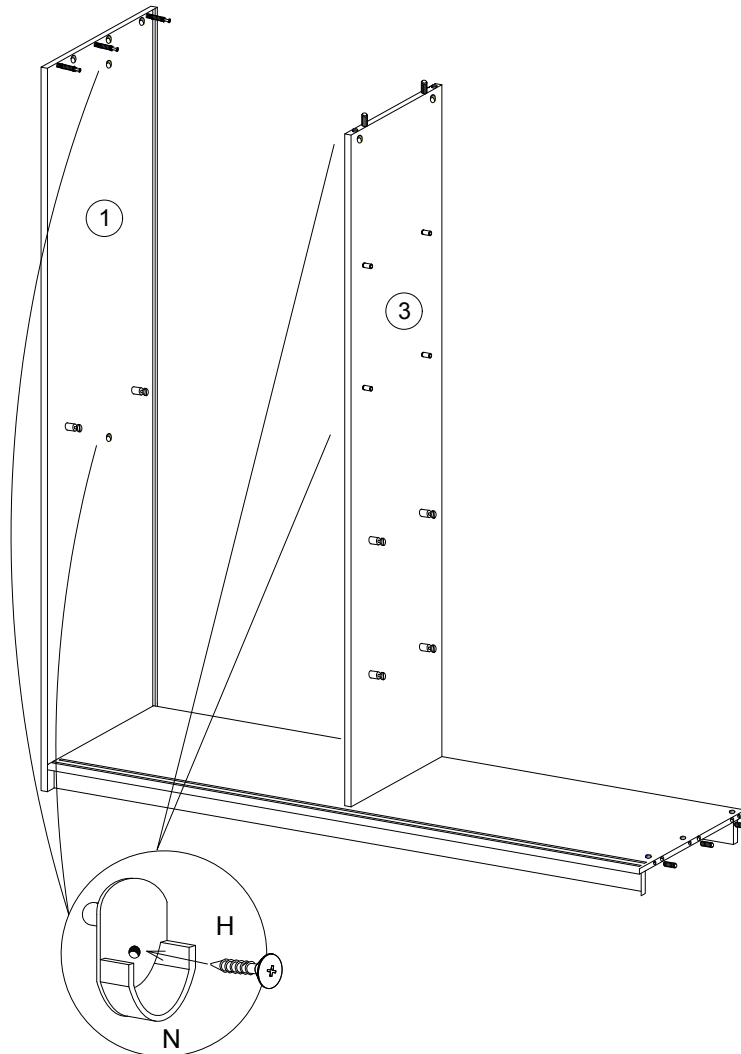
8



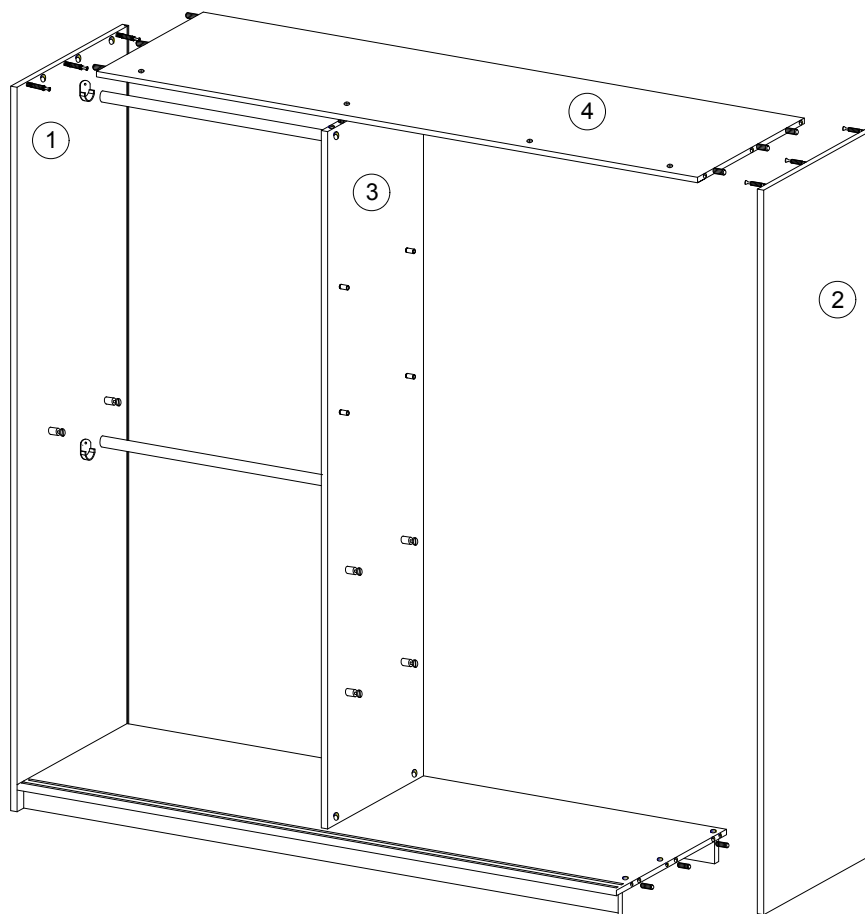
9



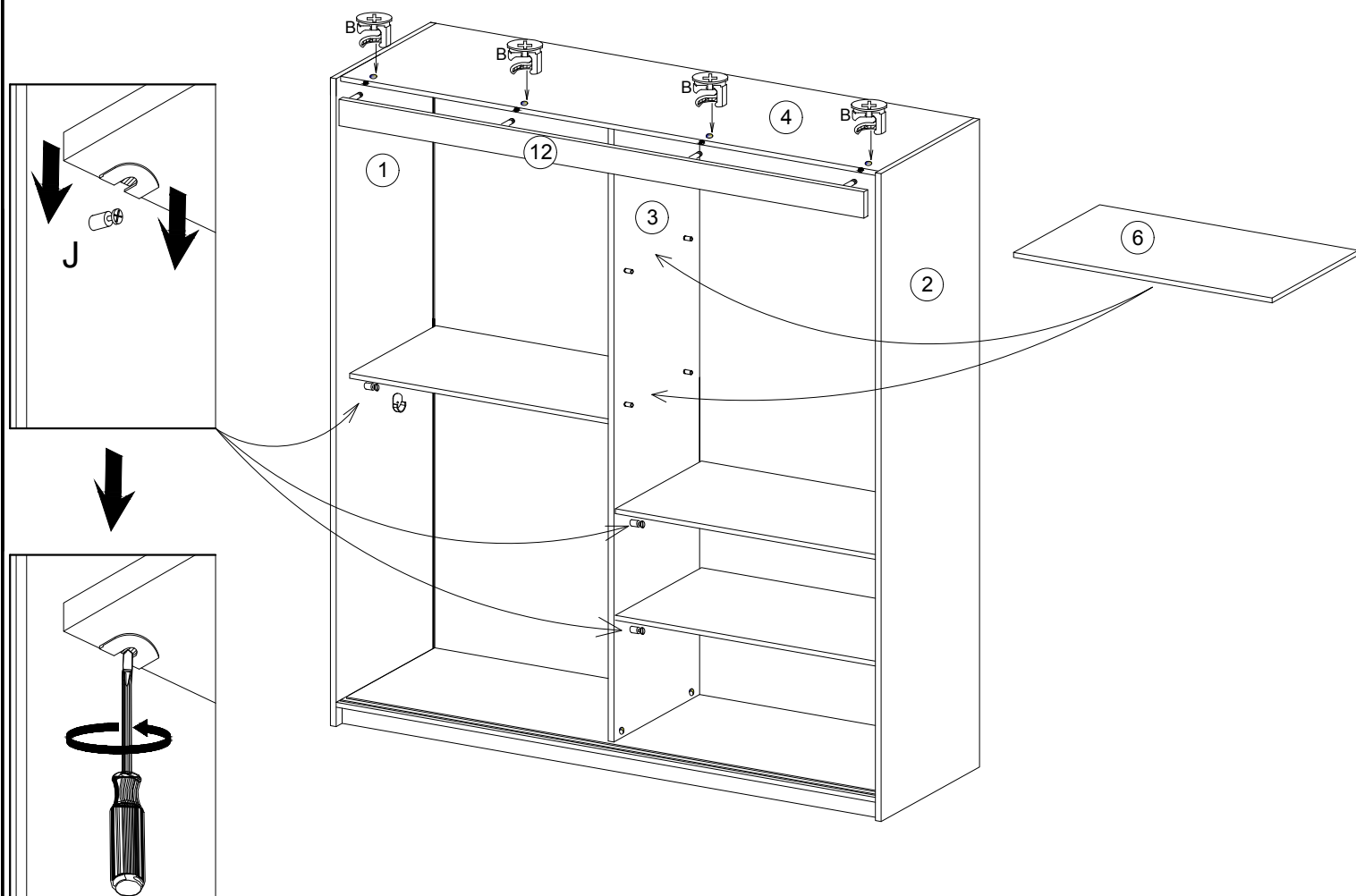
10



# 11

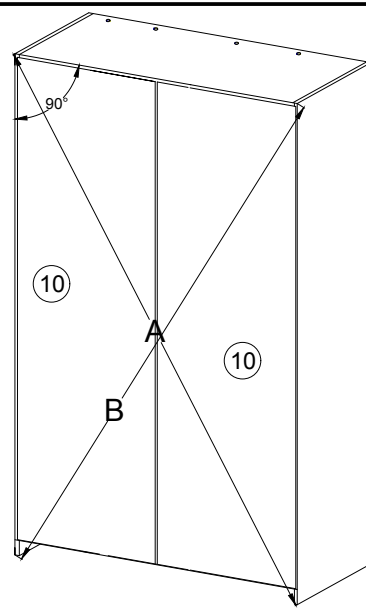


# 12

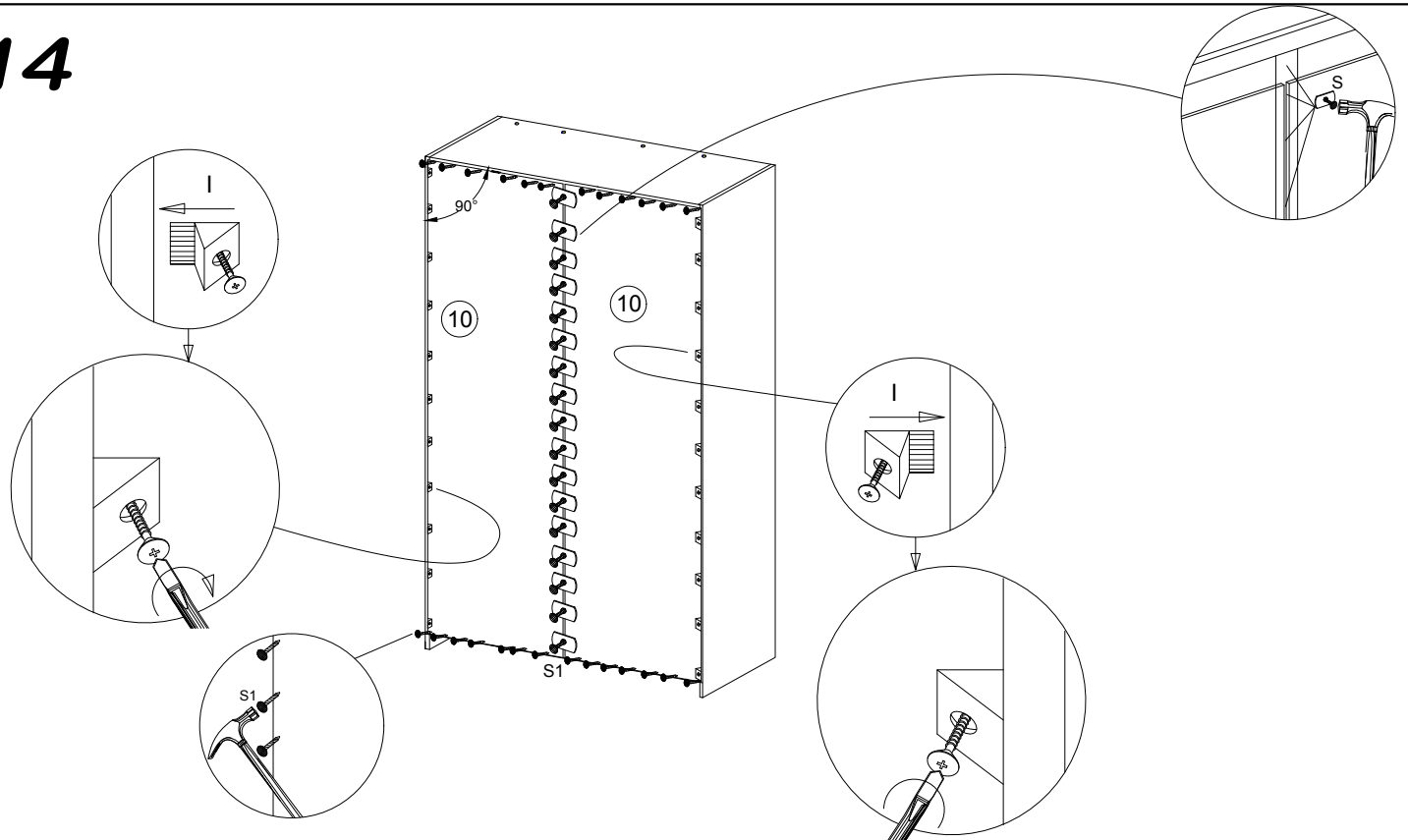


# 13

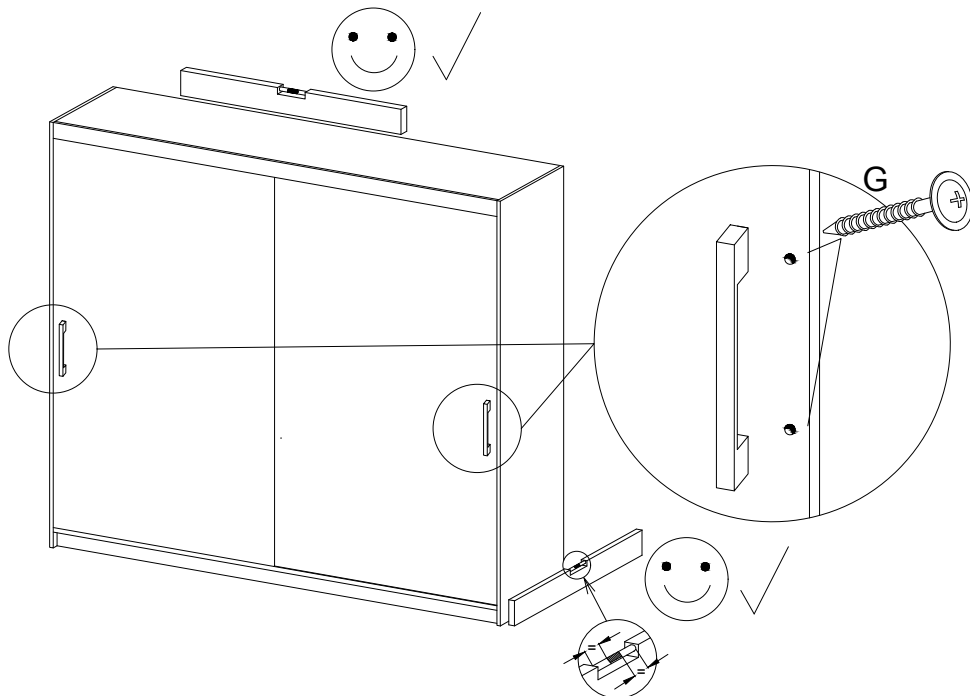
$A=B$



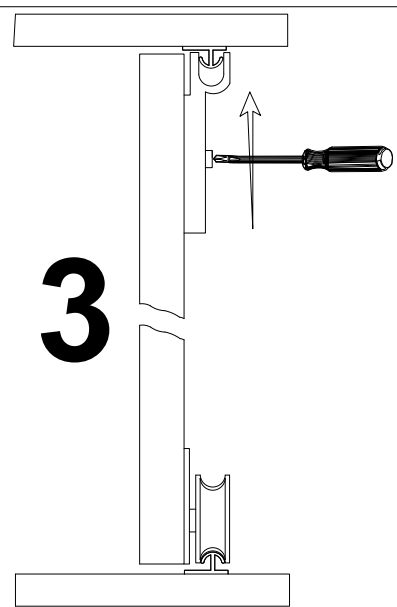
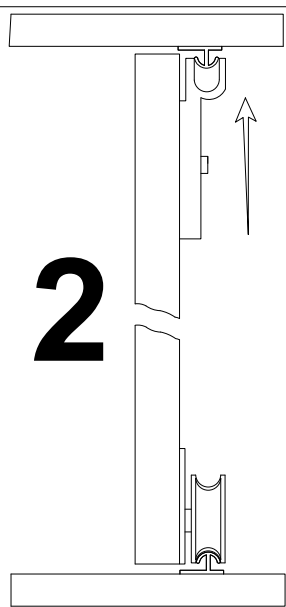
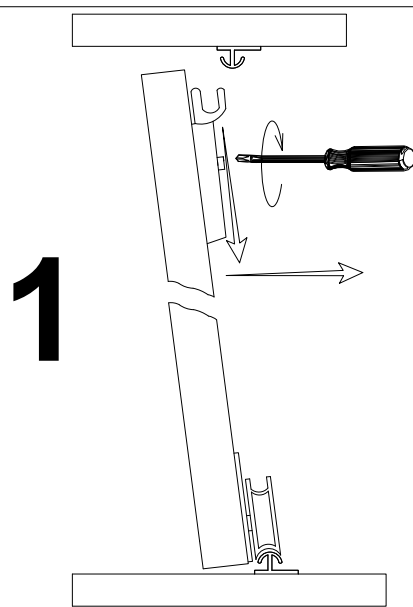
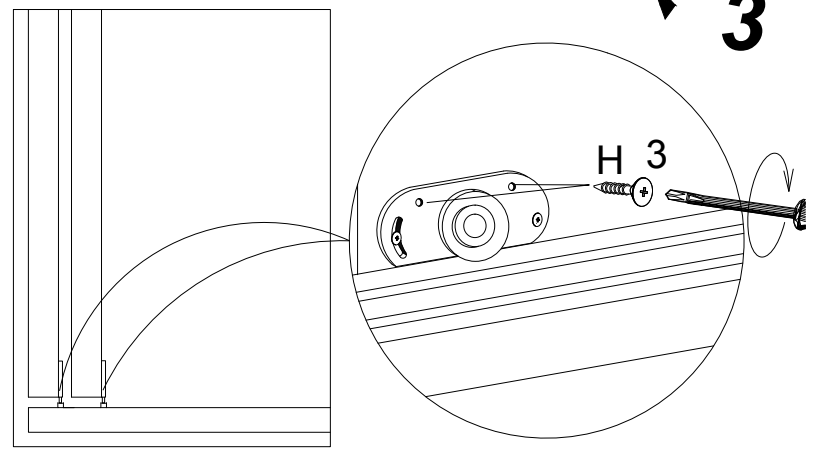
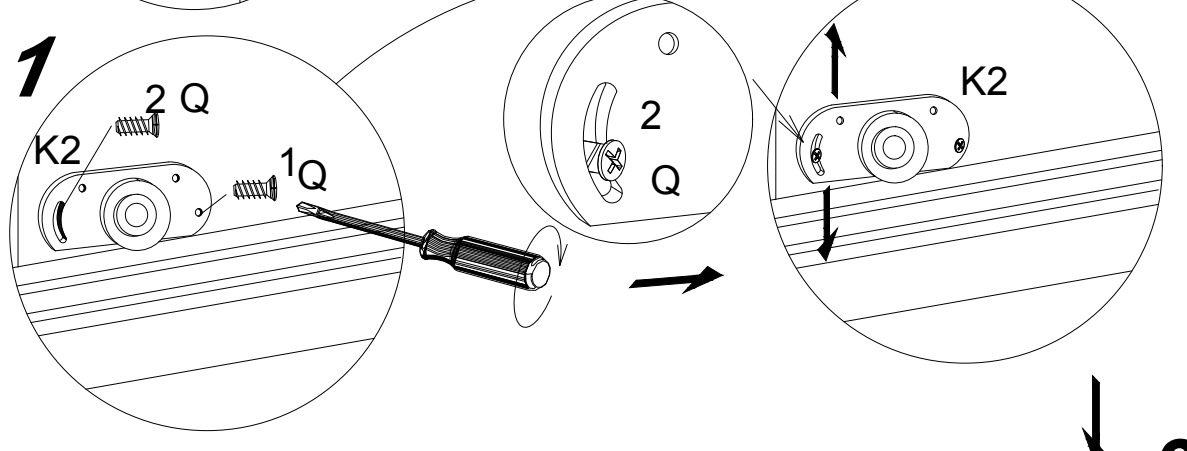
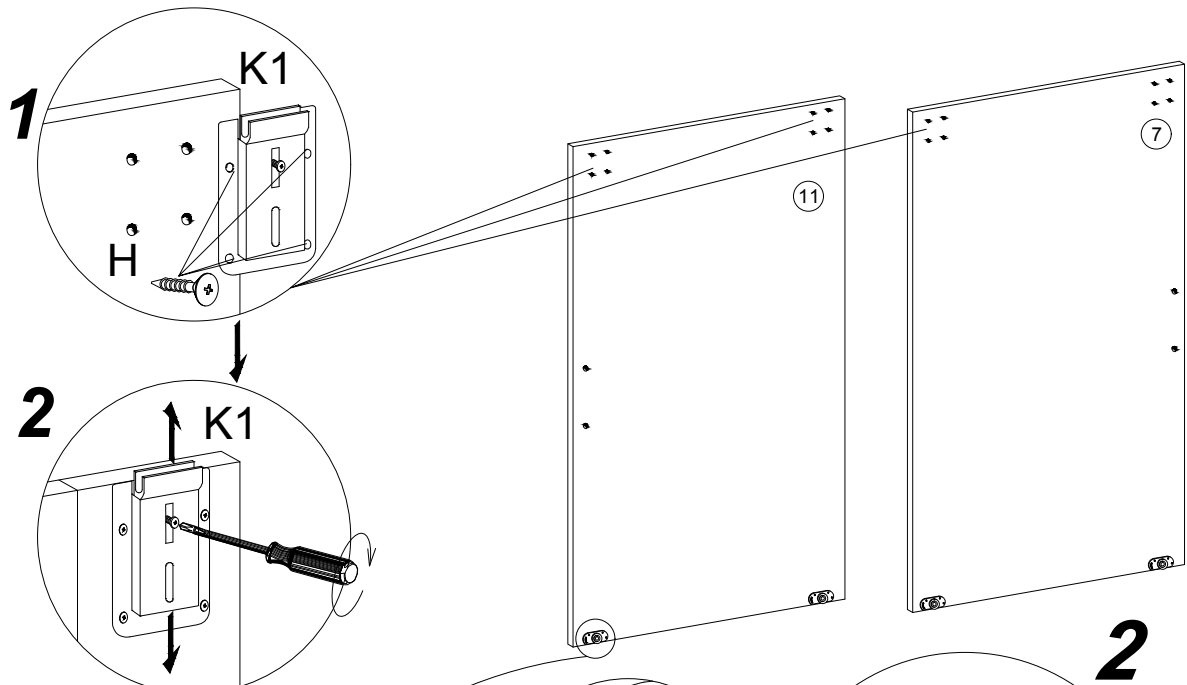
# 14

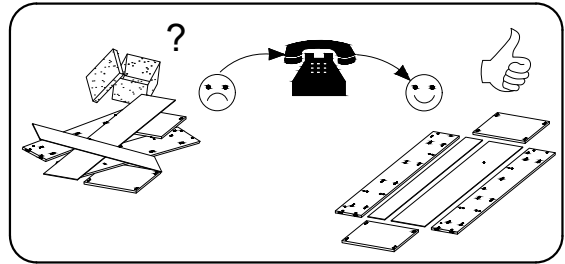
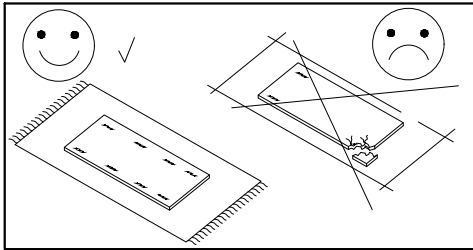
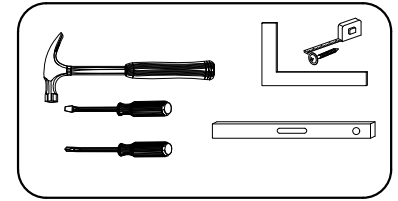
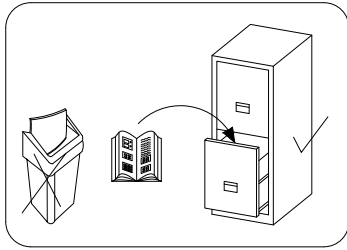
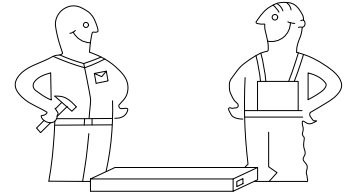


# 15

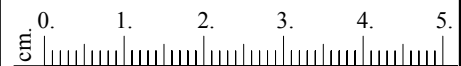
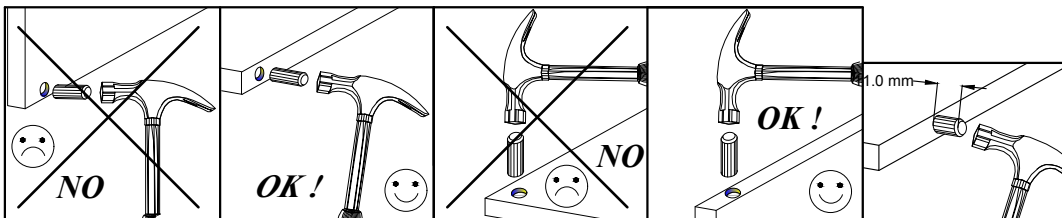


# 16



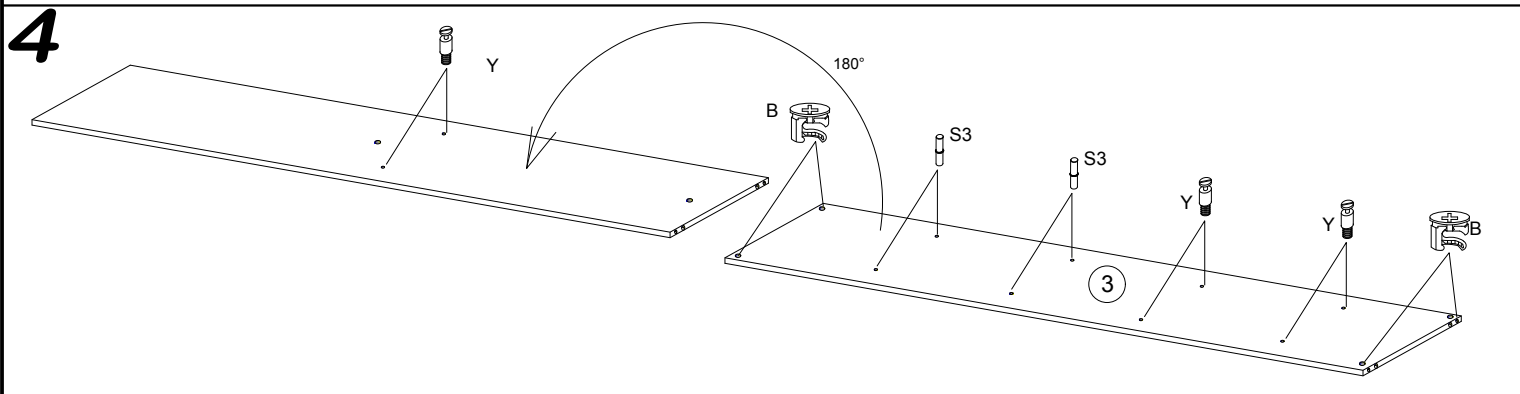
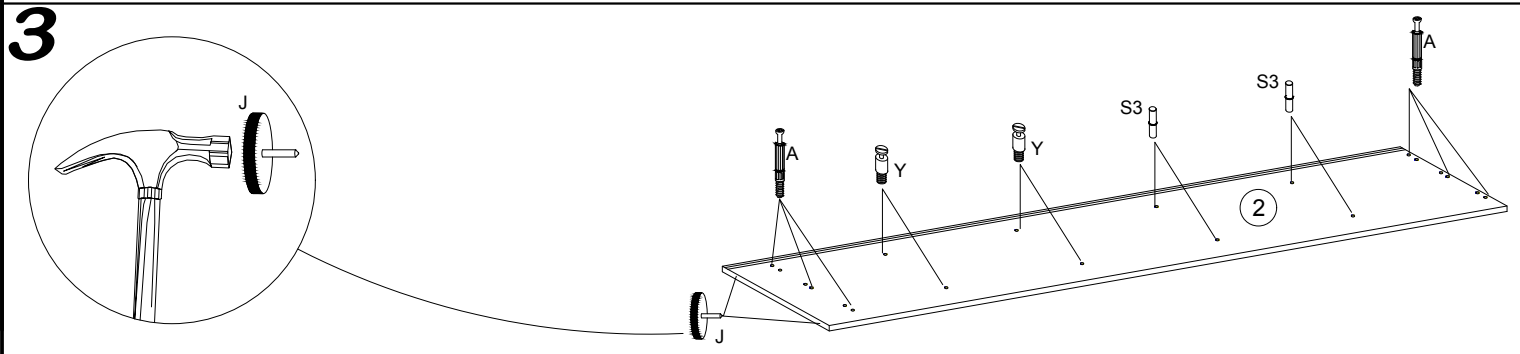
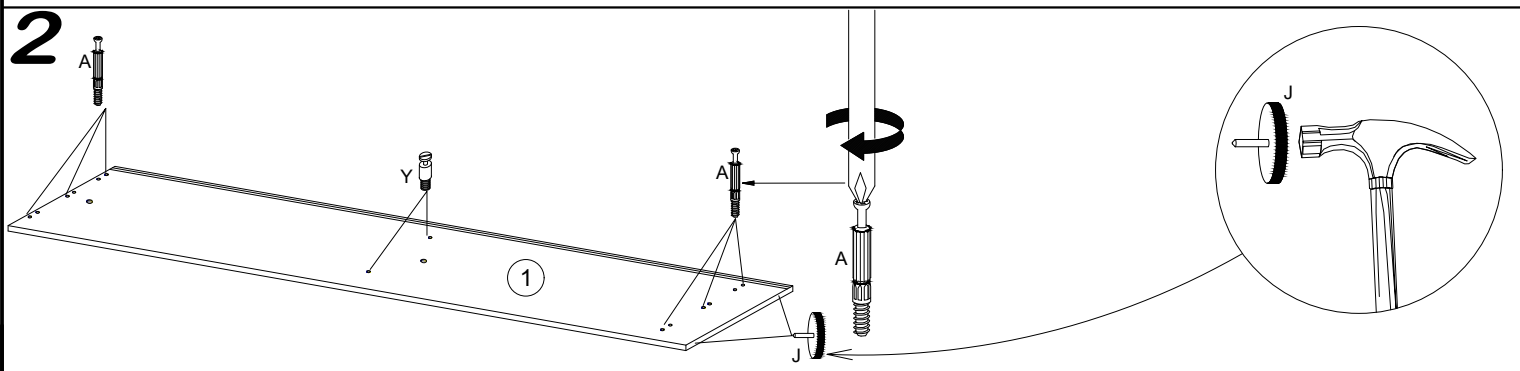
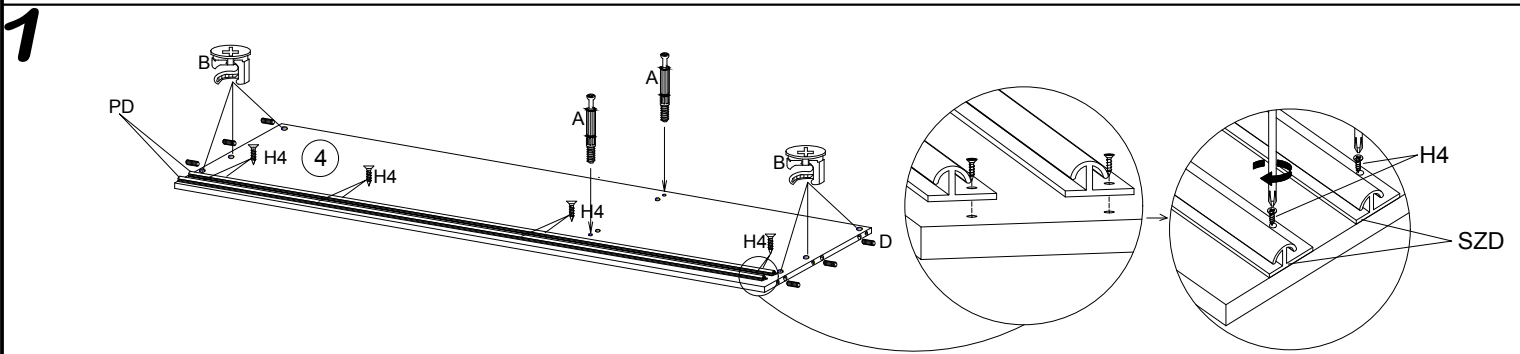
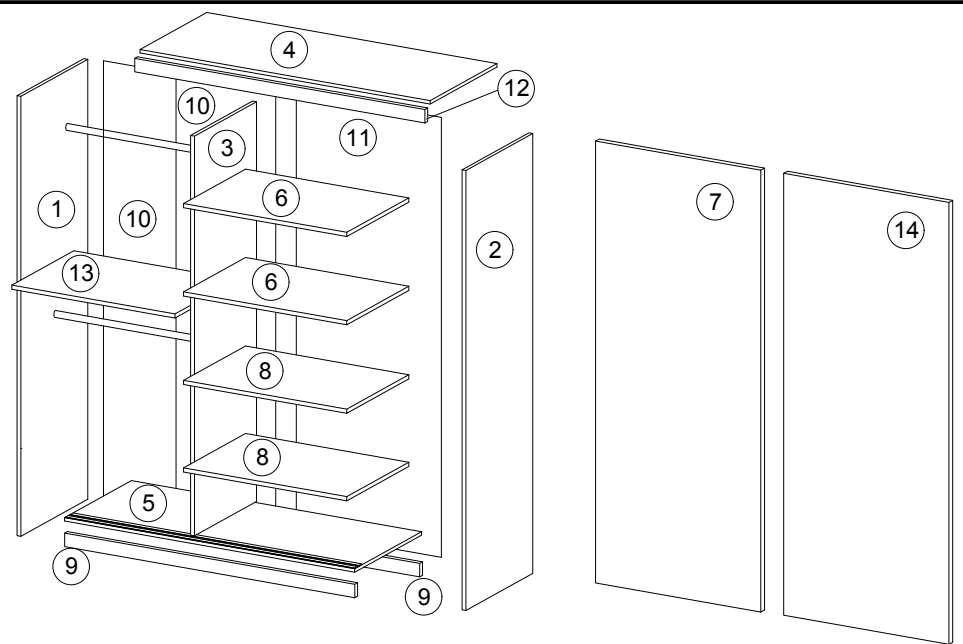


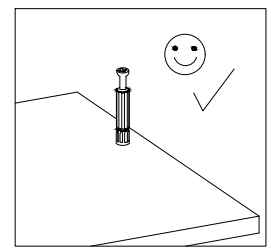
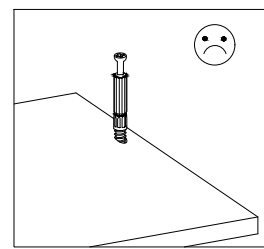
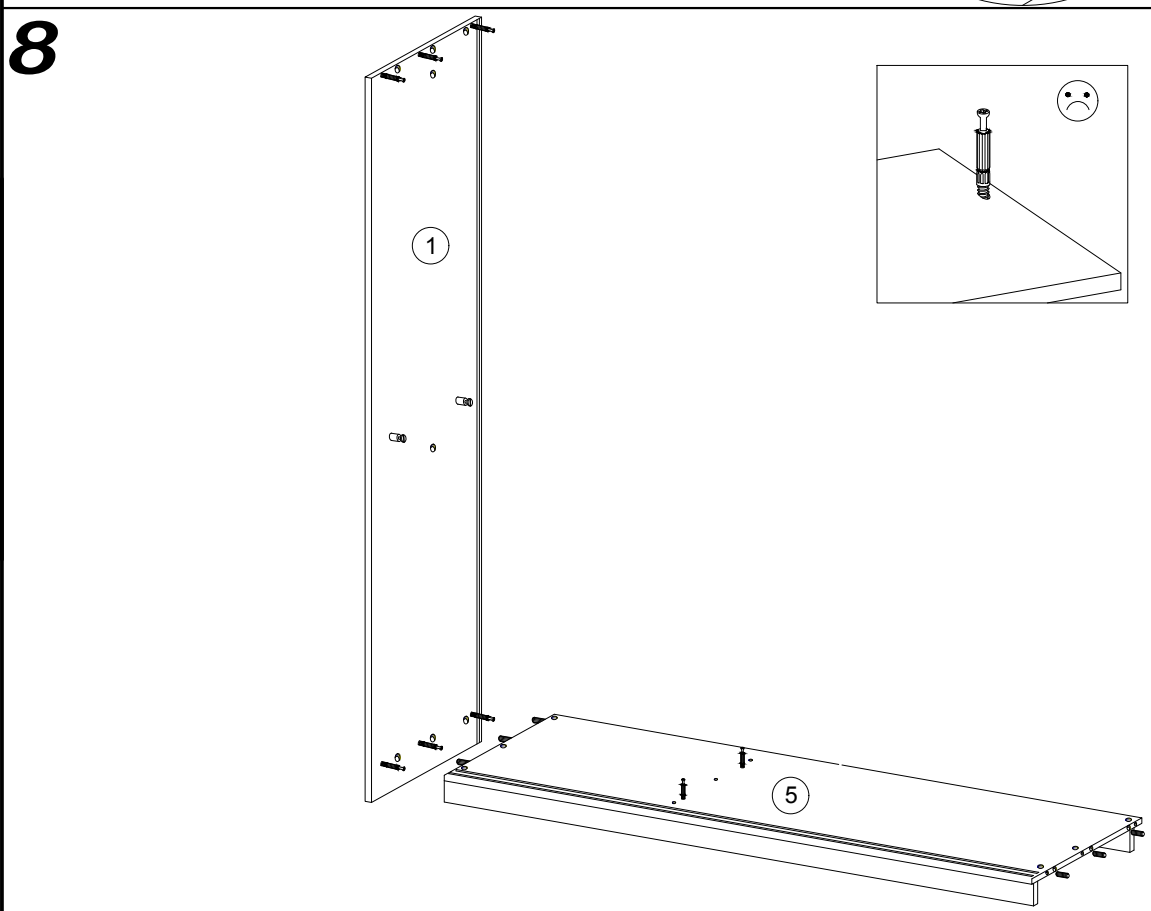
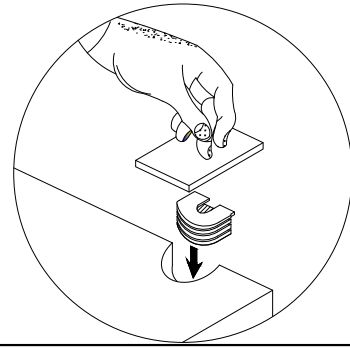
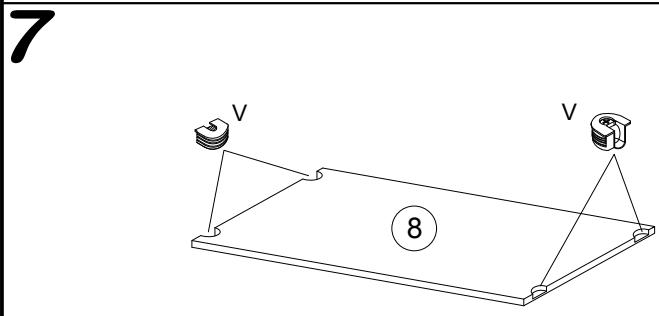
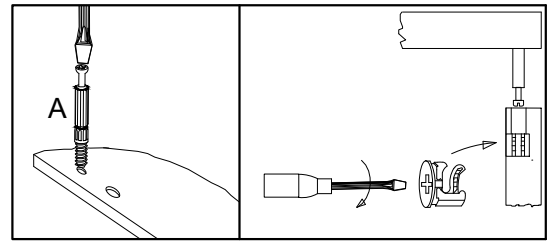
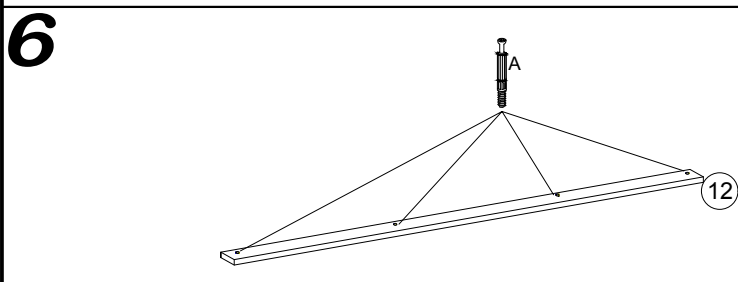
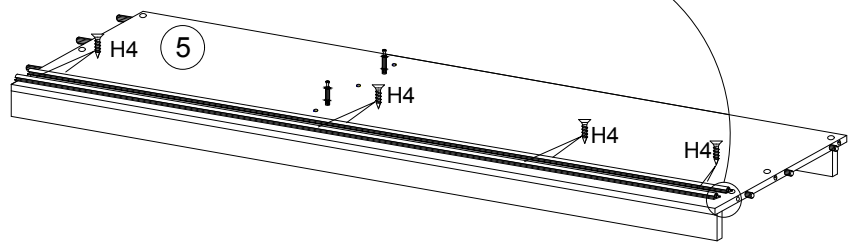
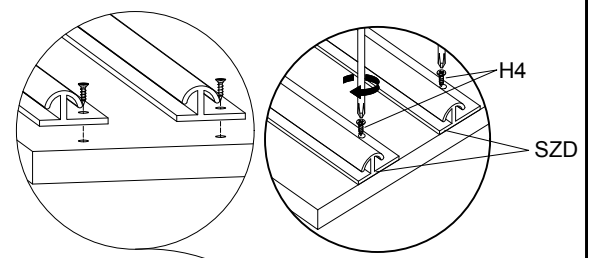
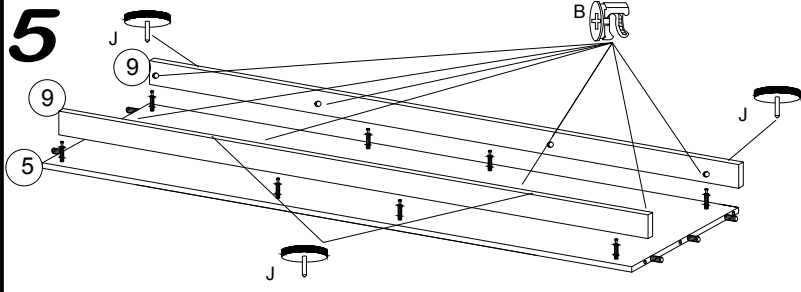
8.0x35  D 16	4.0x25  G 4	 Y 12	 A 28	 B 28	3.5x16  H 24	 V 12	 N 4	 K2 4	 K1 4	 S3 8
 X 20	 F 2	 S 19	 S1 40	 I 30	L-465  V1 2	L-1850  L 1	6.3x13  Q 8	 J 8	 PD 4	3.0x13  H4 16



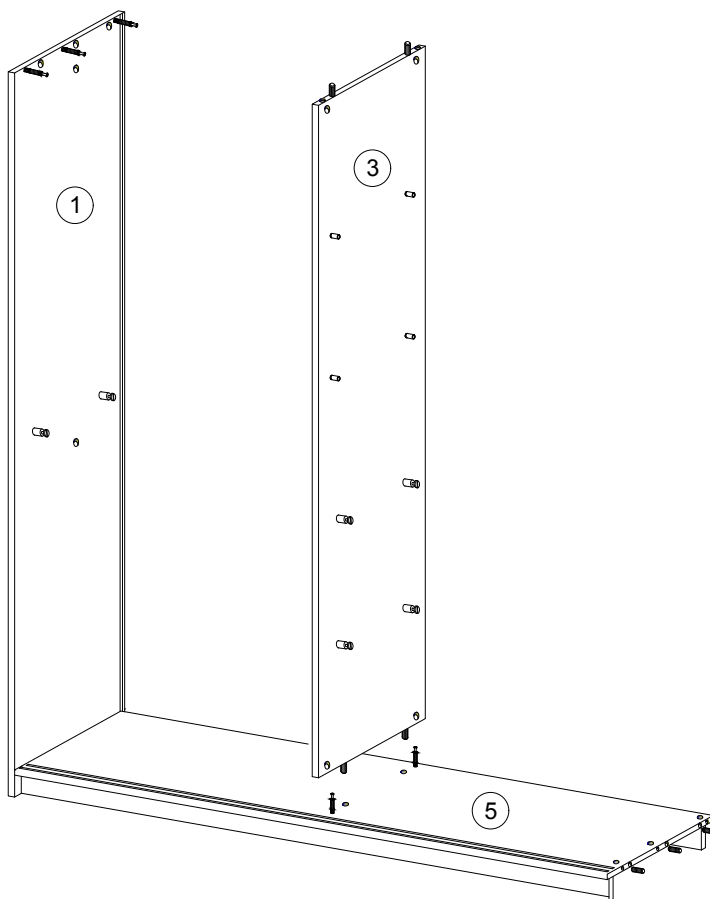


No.	Pcs.	L	W	D
1.	1	2000	620	16
2.	1	2000	620	16
3.	1	1888	480	16
4.	1	1168	582	16
5.	1	1168	600	16
6.	2	475	480	6.
7.	1	1873	600	16
8.	2	475	480	16
9.	2	1168	80	16
10.	1	1918	346	3
11.	1	1918	492	3
12.	1	1168	70	16
13.	2	676	480	16
14.	1	1873	600	16

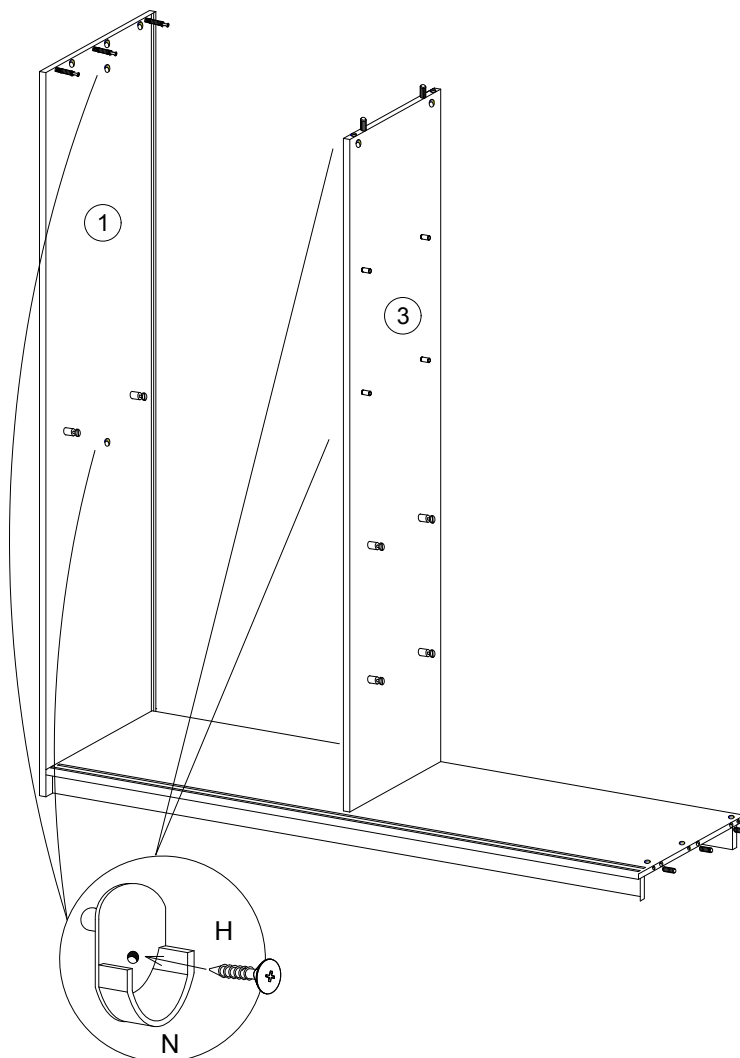




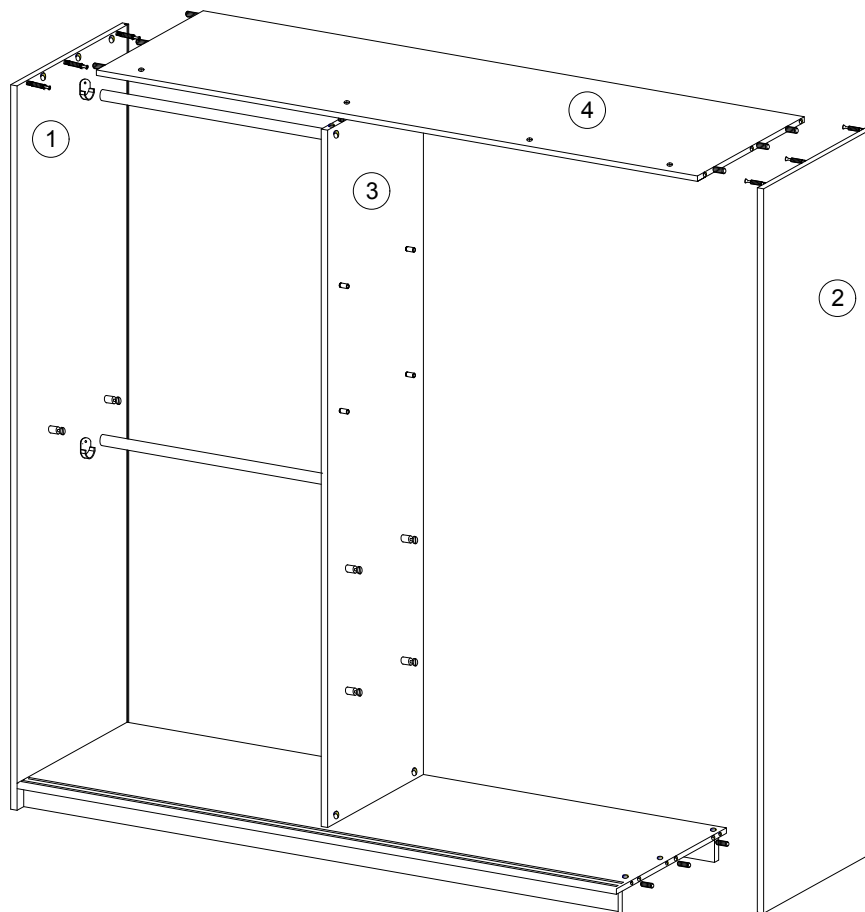
# 9



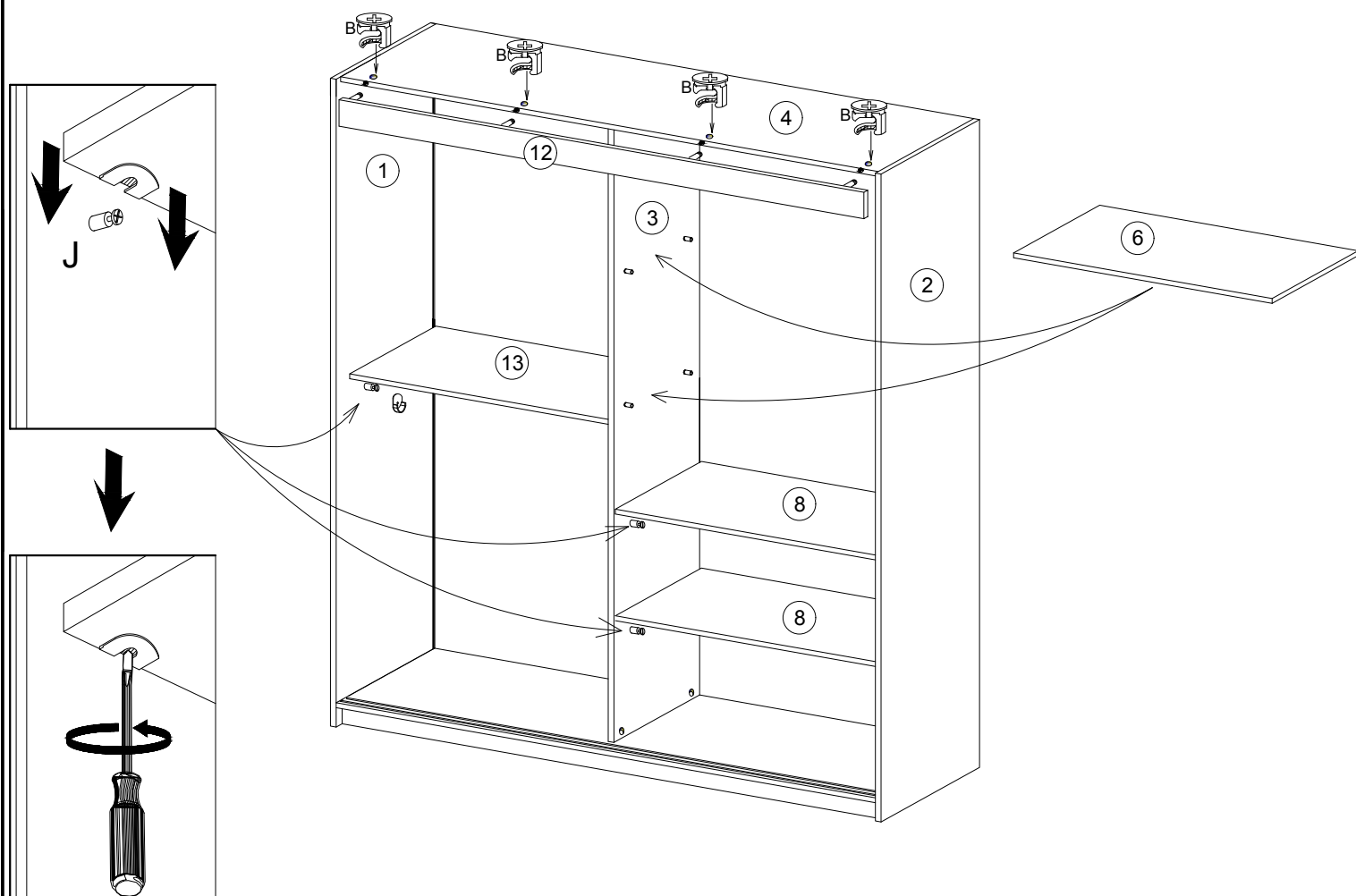
# 10



# 11

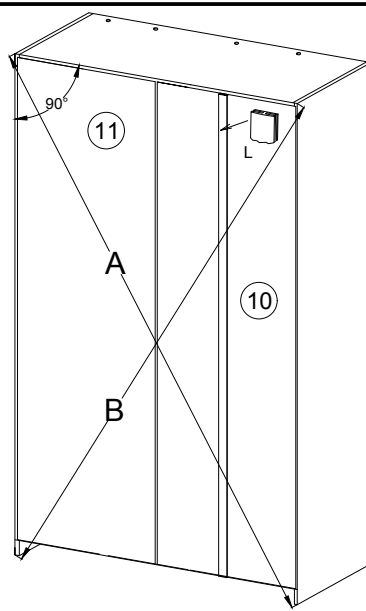


# 12

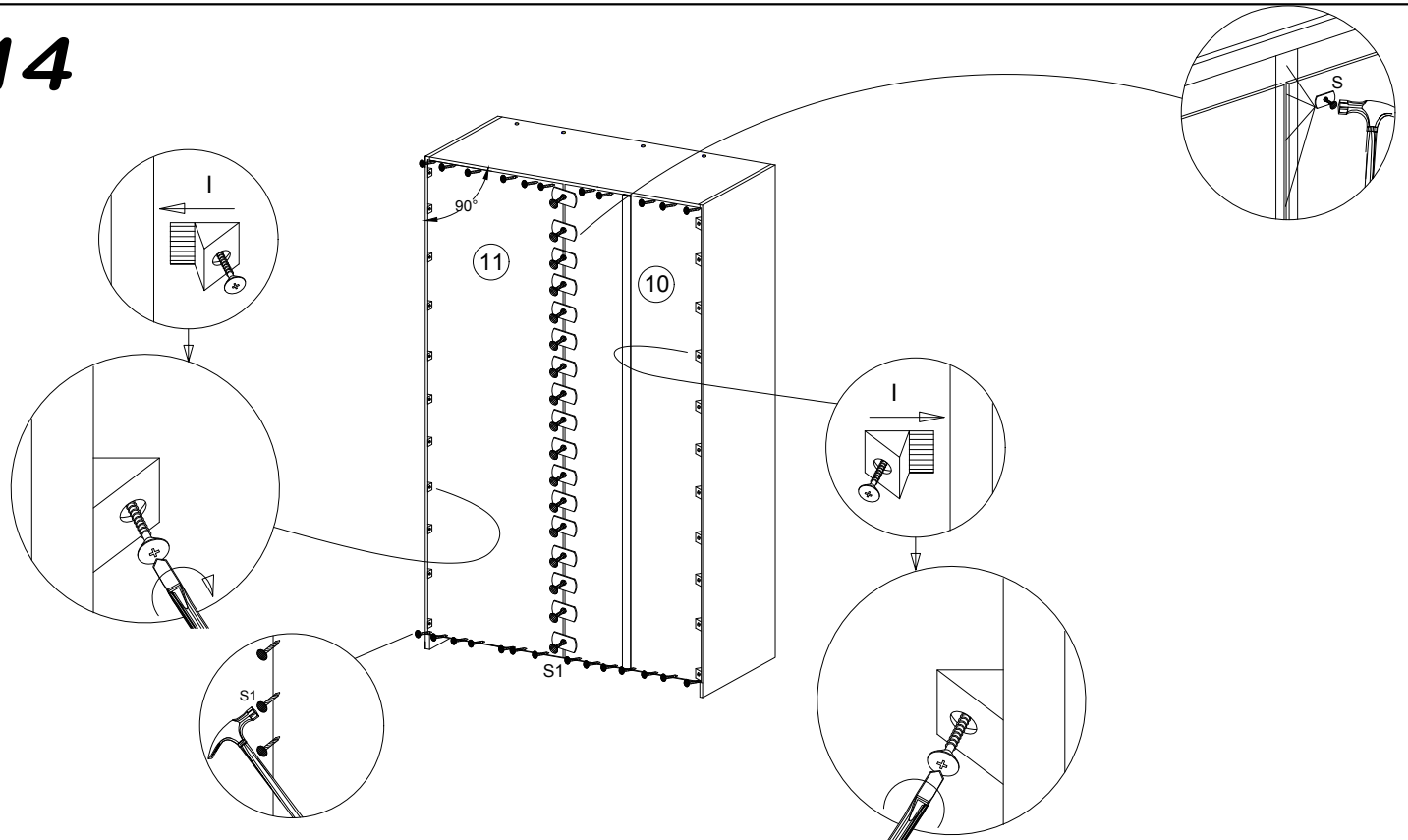


# 13

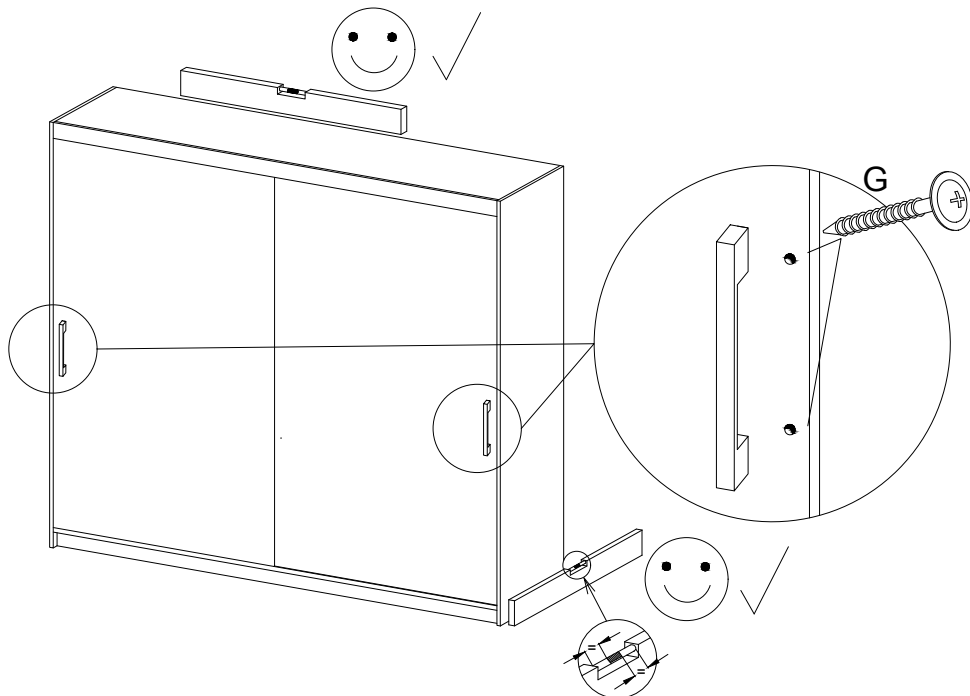
$A=B$



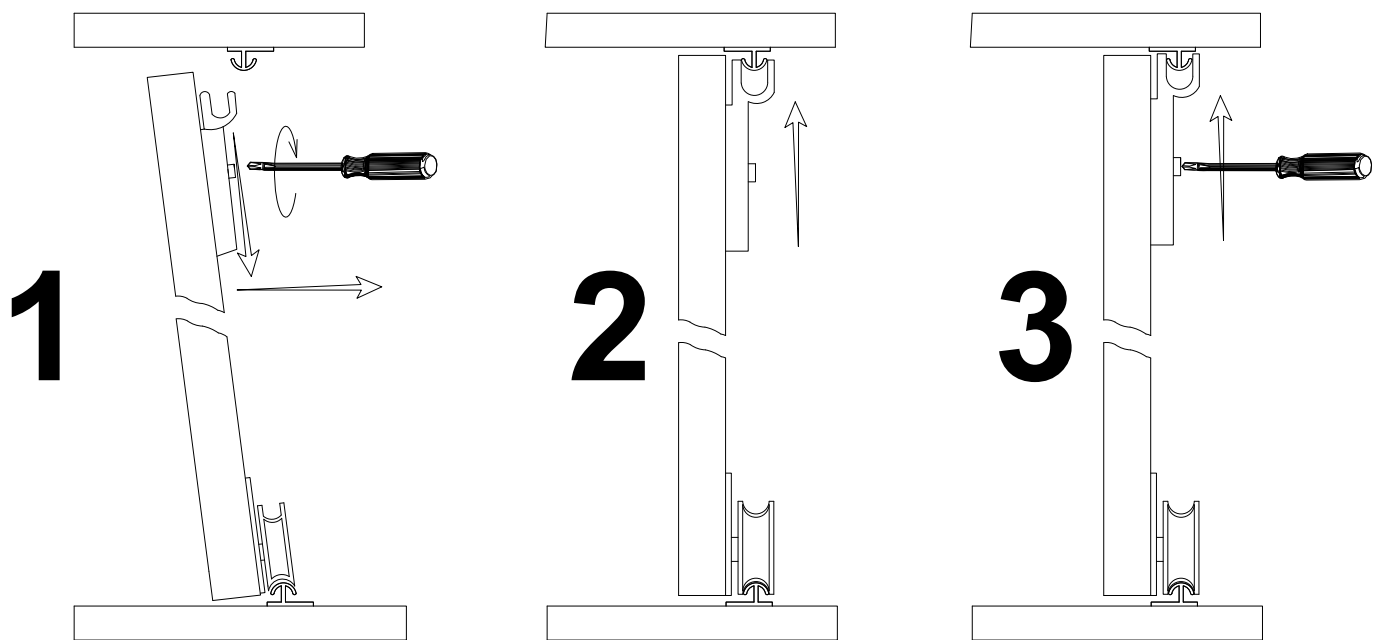
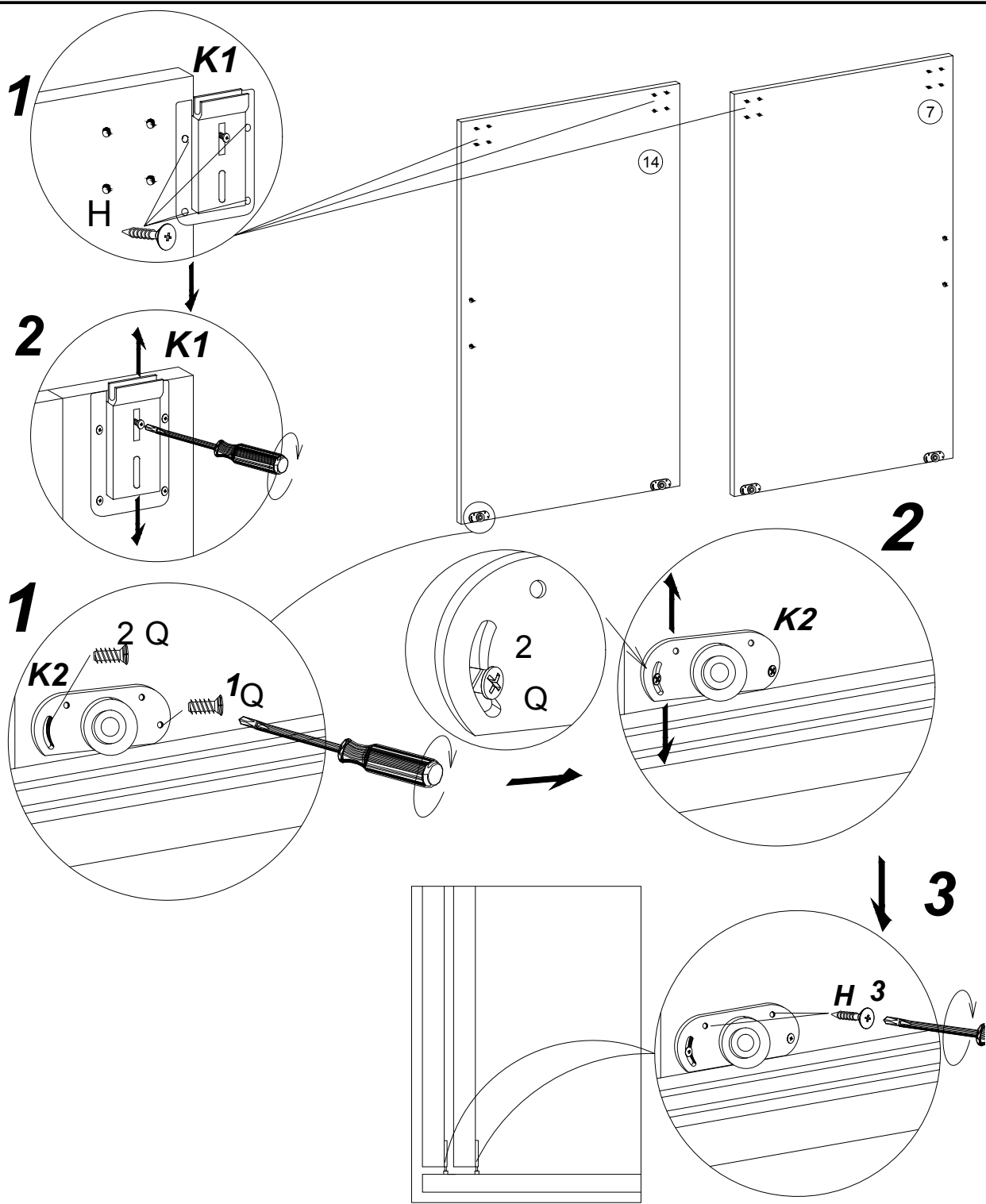
# 14

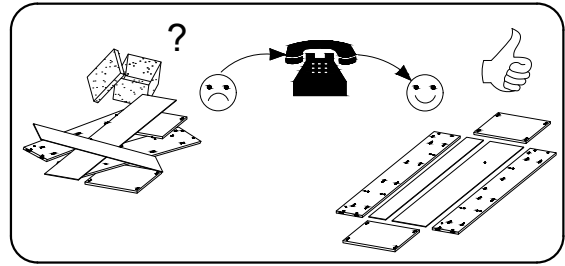
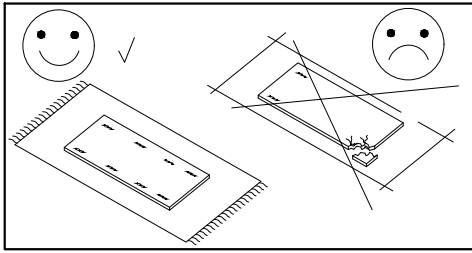
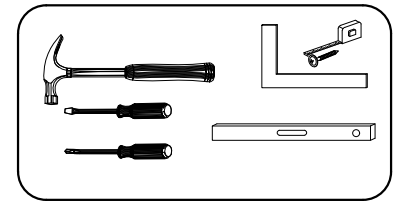
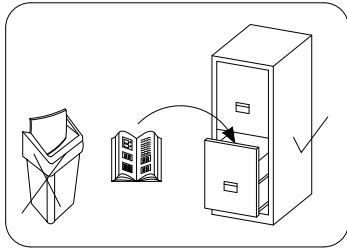
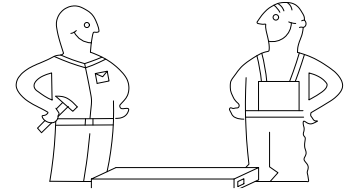


# 15

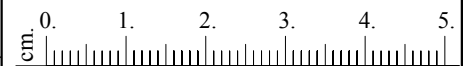
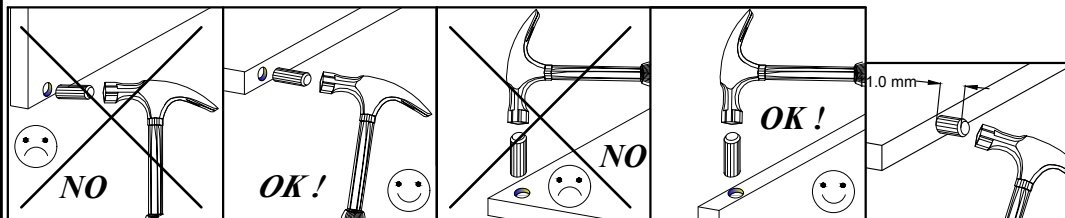


# 16

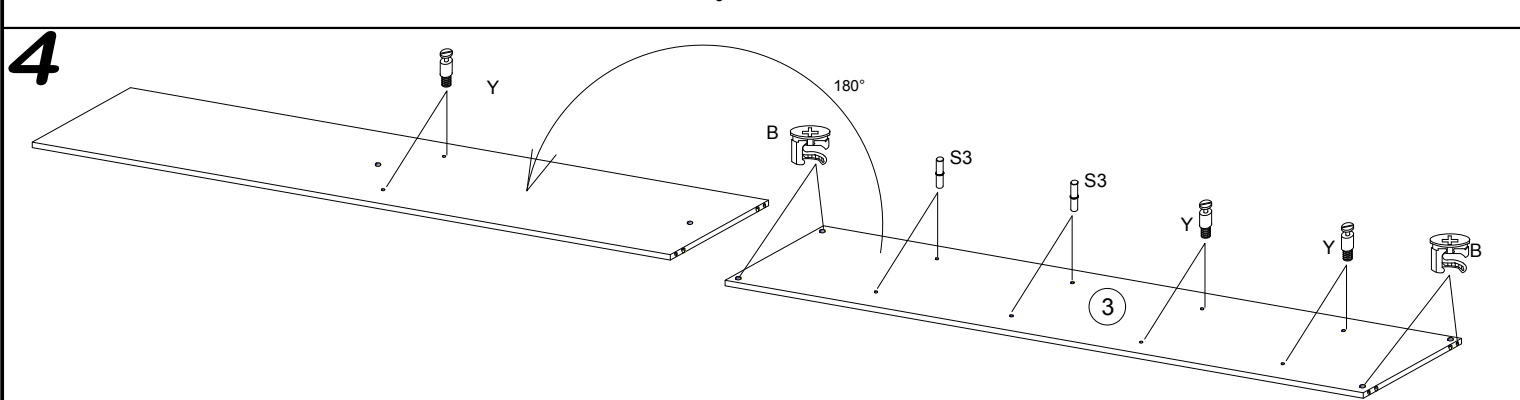
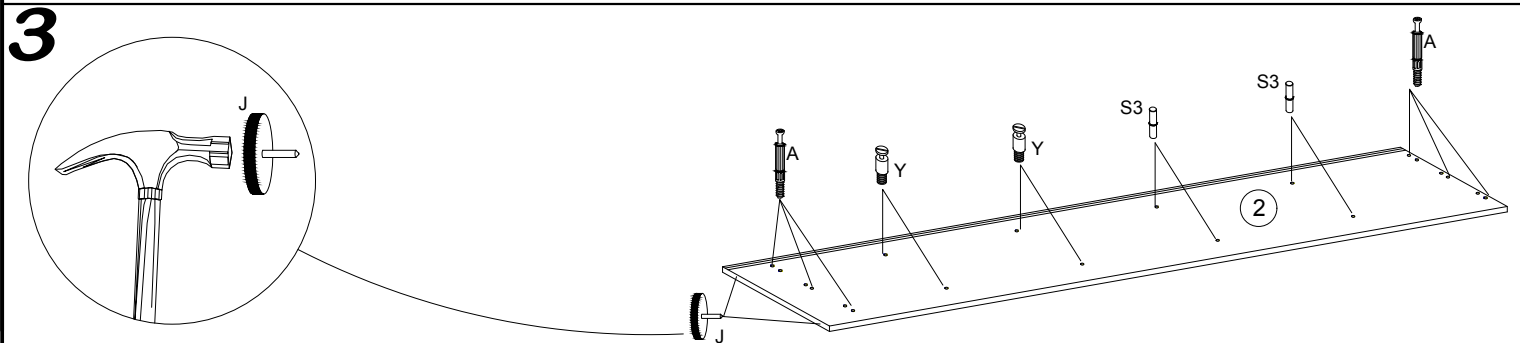
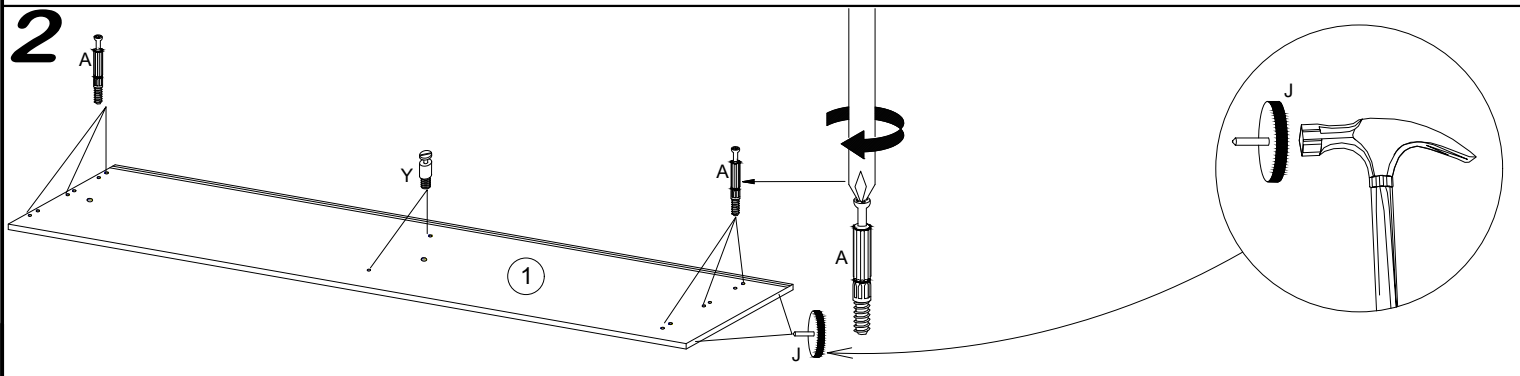
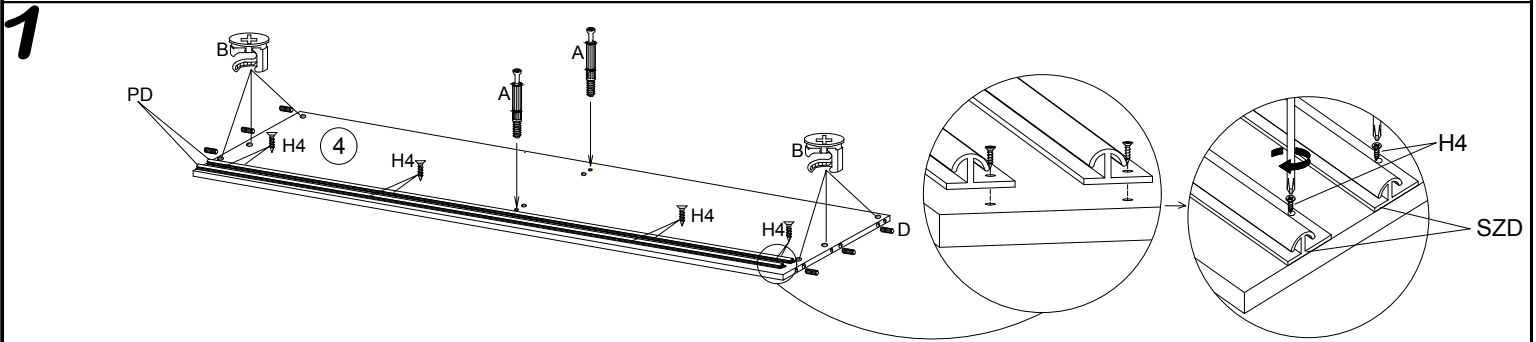
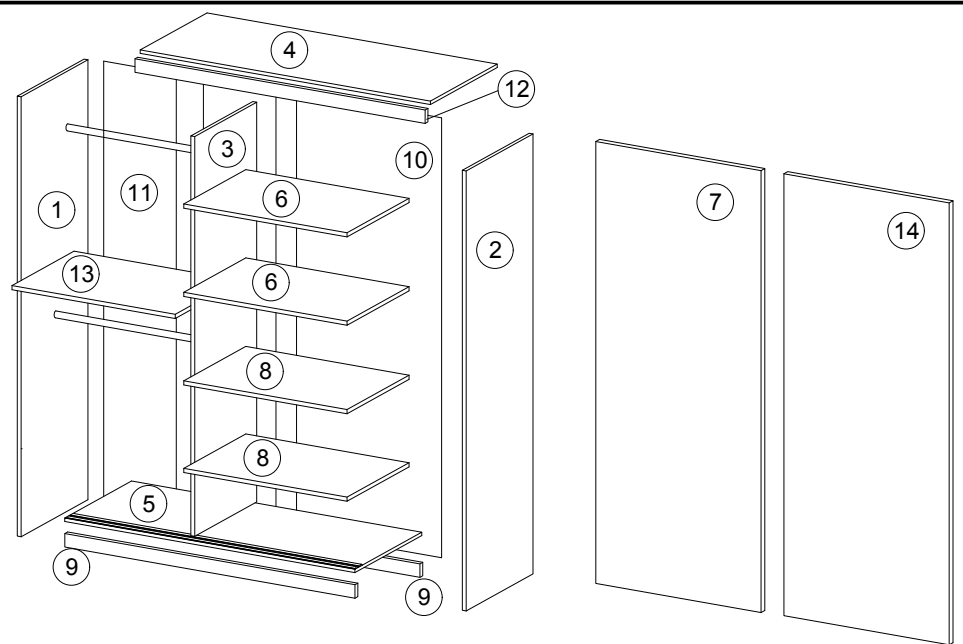




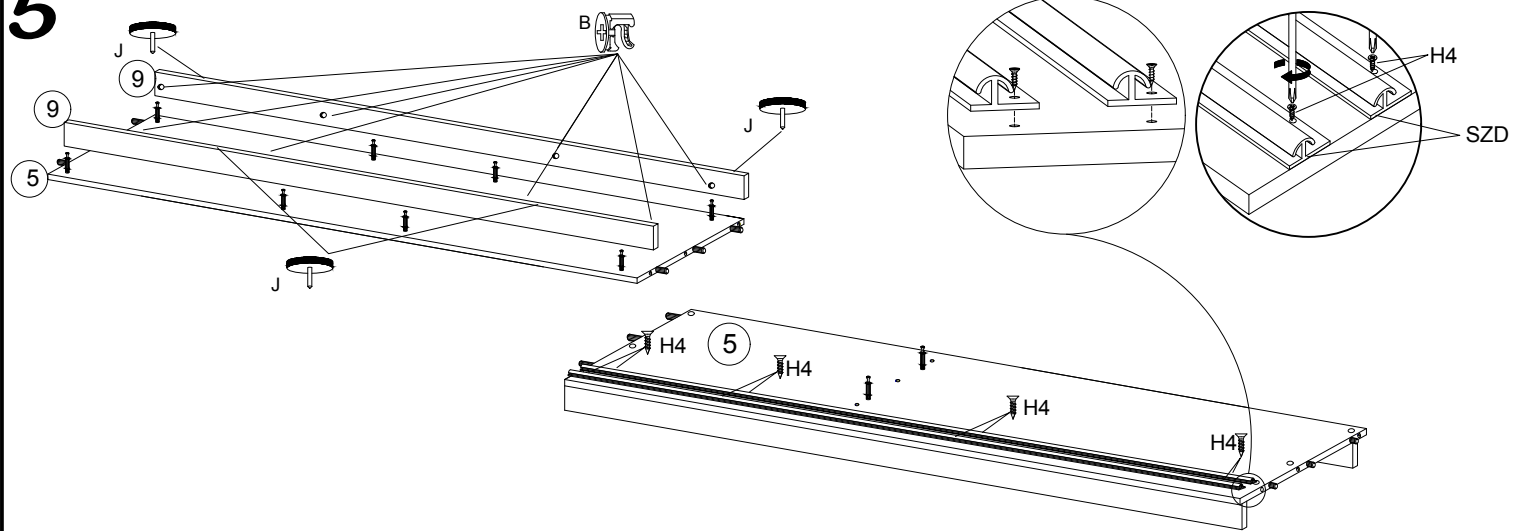
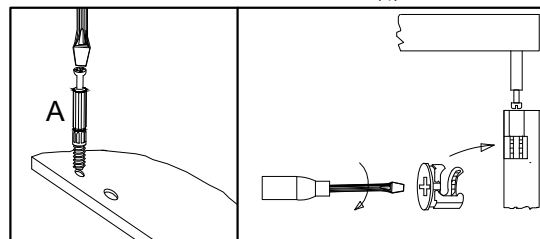
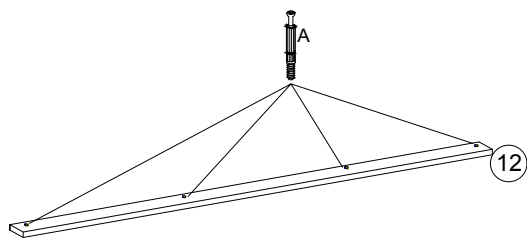
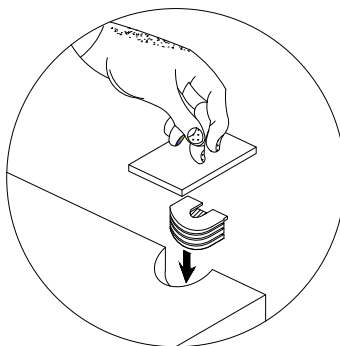
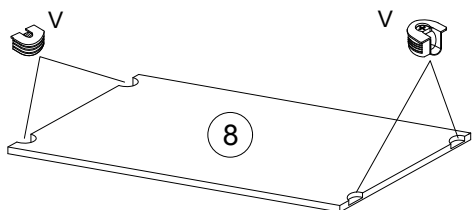
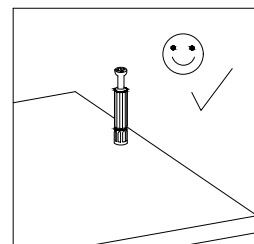
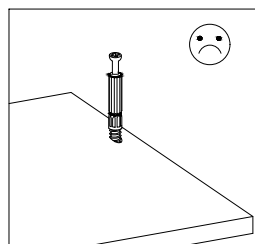
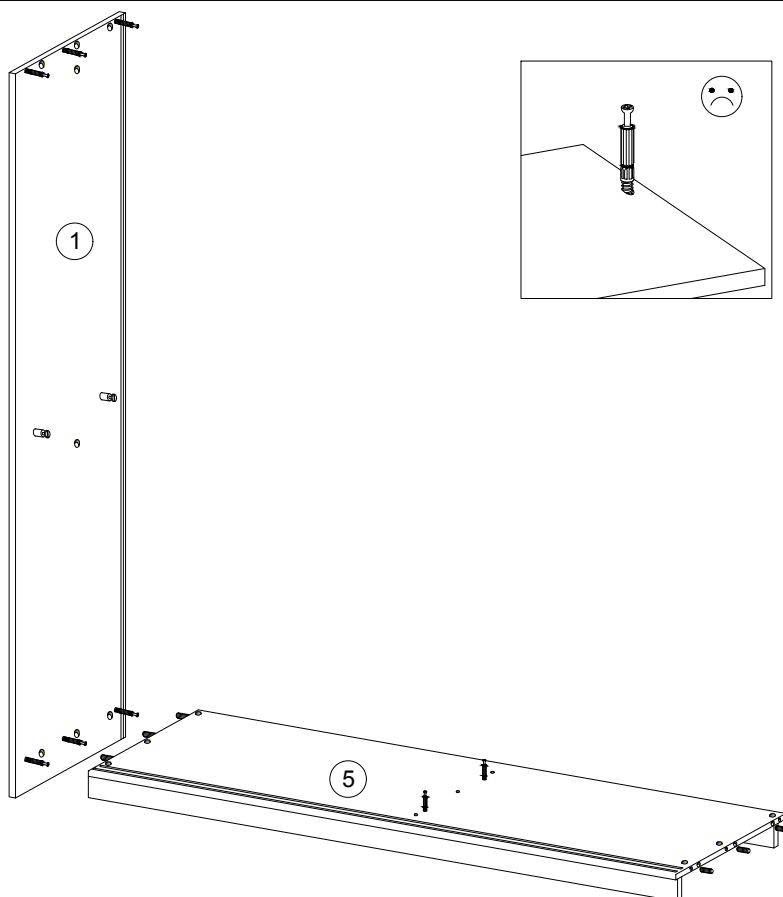
8.0x35  D 16	4.0x25  G 4	 Y 12	 A 28	 B 28	3.5x16  H 24	 V 12	 N 4	 K2 4	 K1 4	 S3 8
 X 20	 F 2	 S 19	 S1 40	 I 30	L-465  V1 2	L-1850  L 1	6.3x13  Q 8	 J 8	 PD 4	3.0x13  H4 16



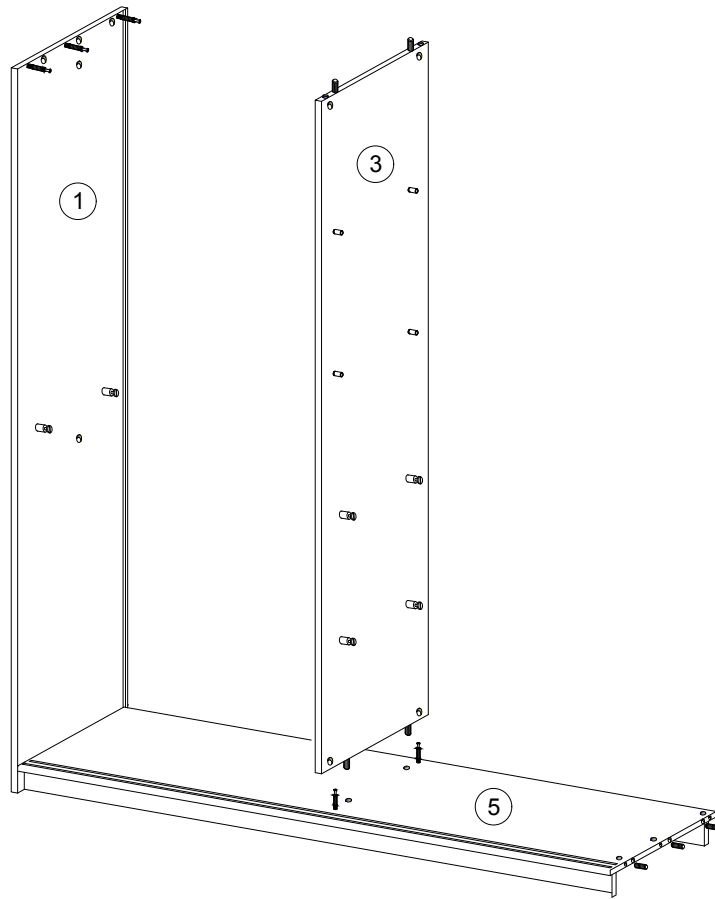
No.	Pcs.	L	W	D
1.	1	2000	620	16
2.	1	2000	620	16
3.	1	1888	480	16
4.	1	1468	582	16
5.	1	1468	600	16
6.	2	475	480	6.
7.	1	1873	750	16
8.	2	475	480	16
9.	2	1468	80	16
10.	1	1918	492	3
11.	2	1918	496	3
12.	1	1468	70	16
13.	1	976	480	16
14.	1	1873	750	16



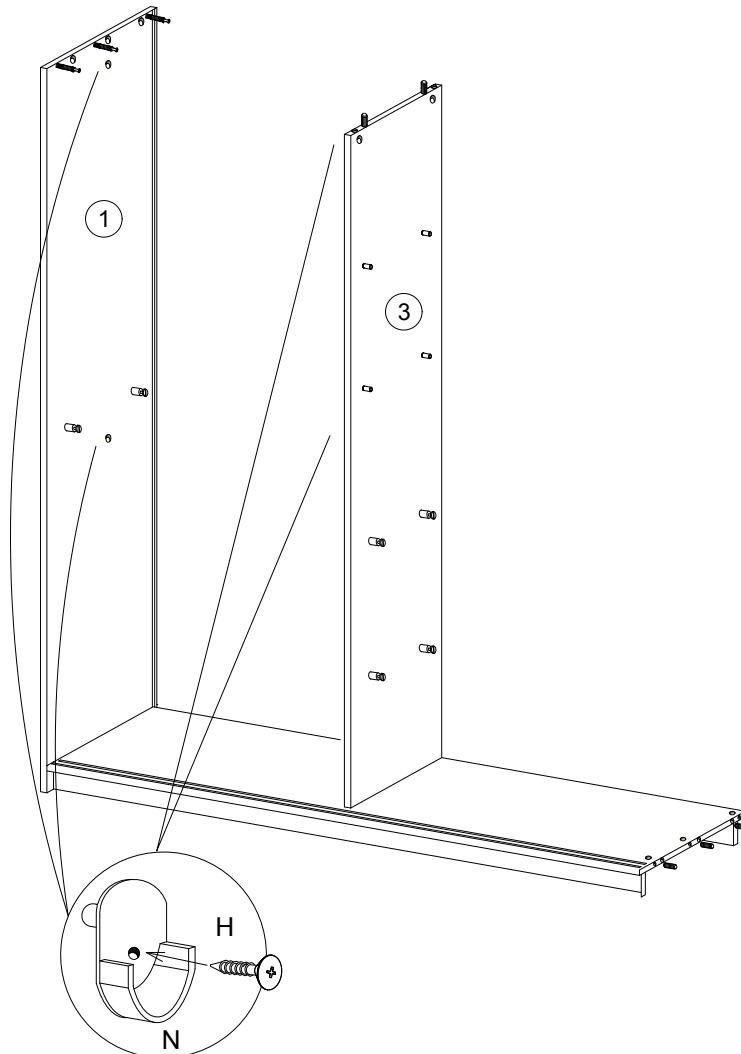


**5****6****7****8**

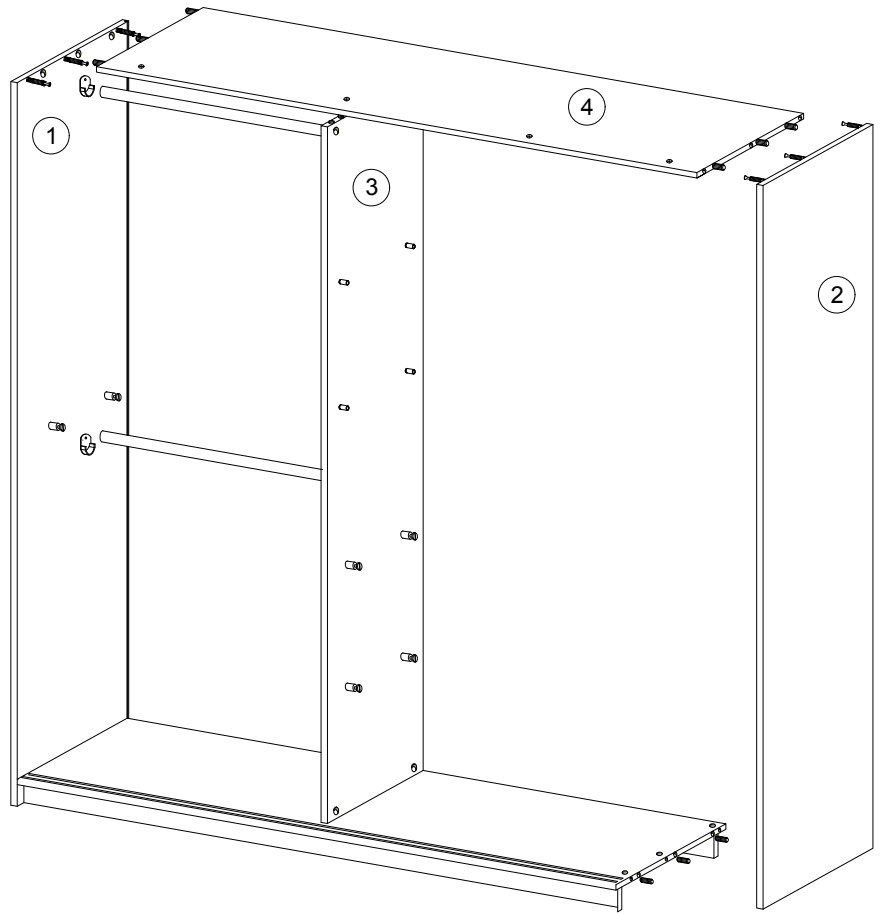
9



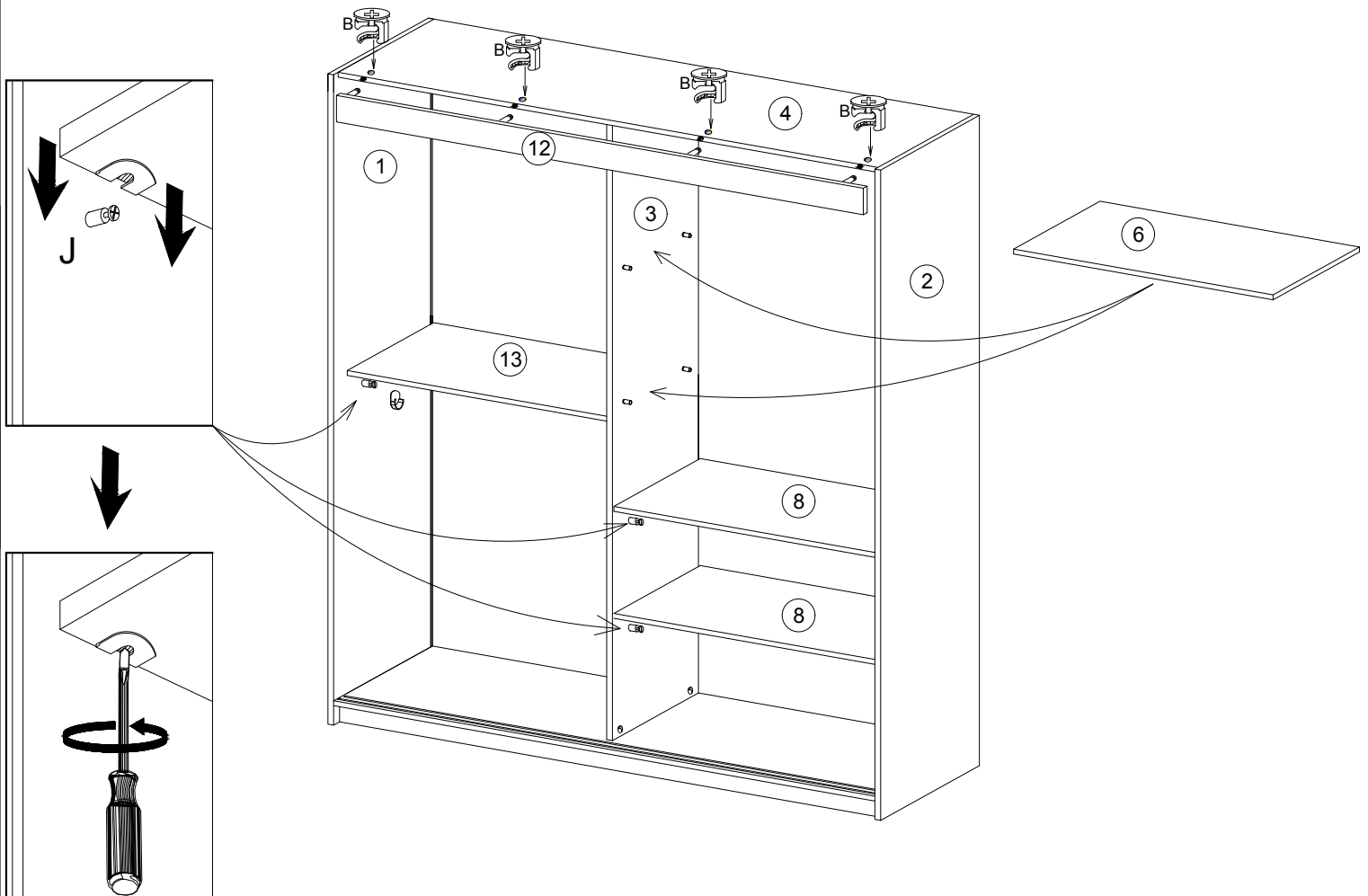
10



# 11

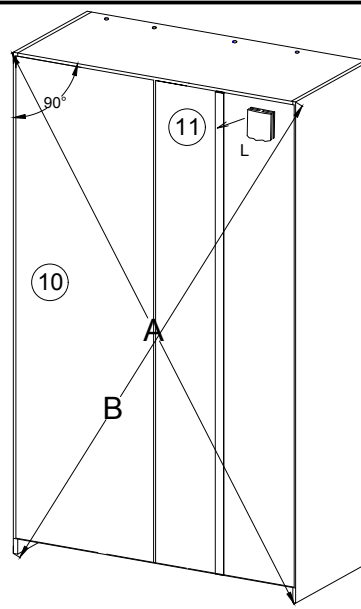


# 12

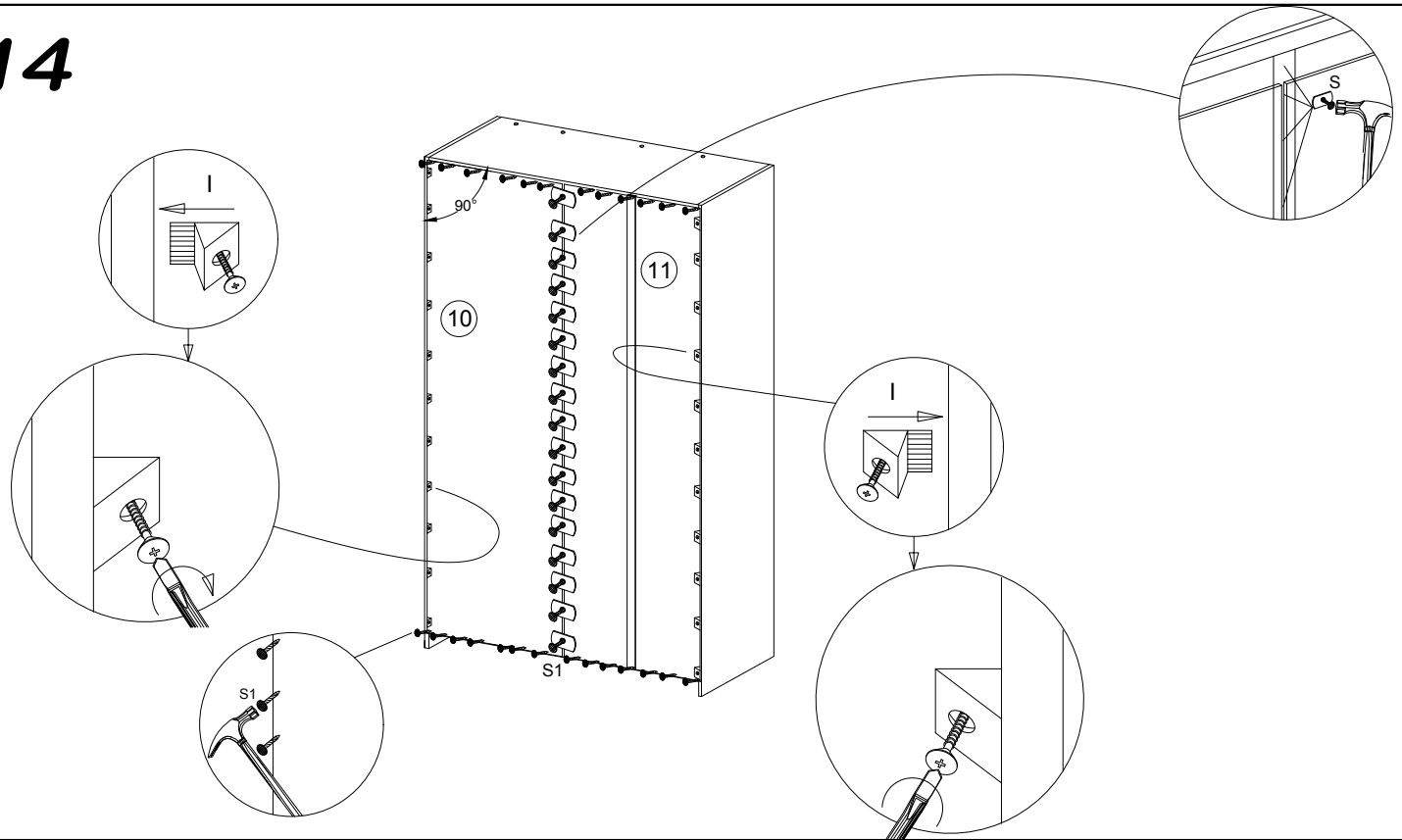


# 13

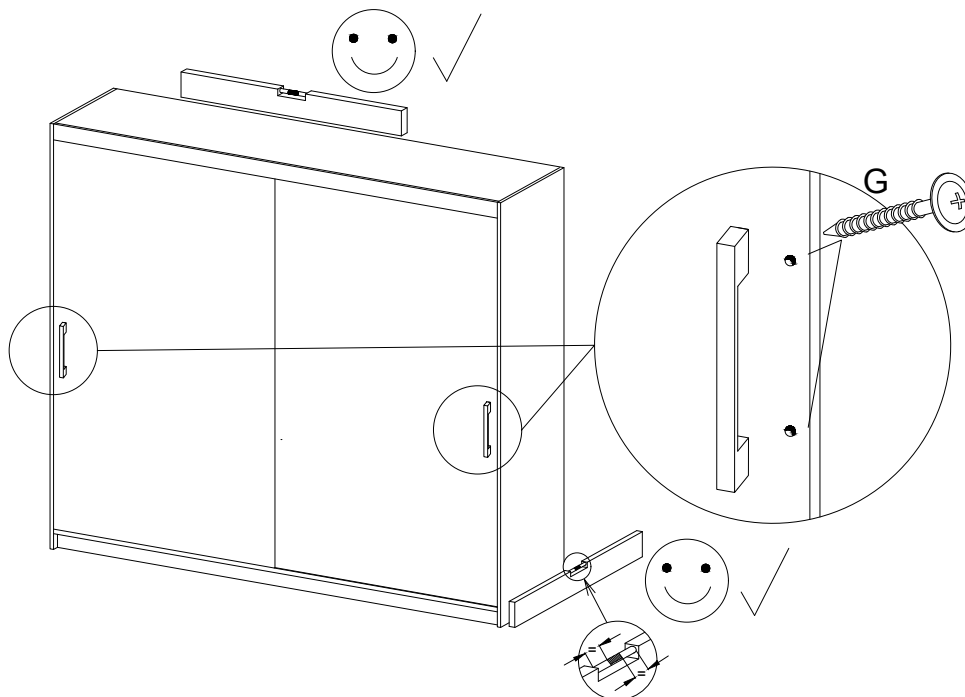
**A=B**



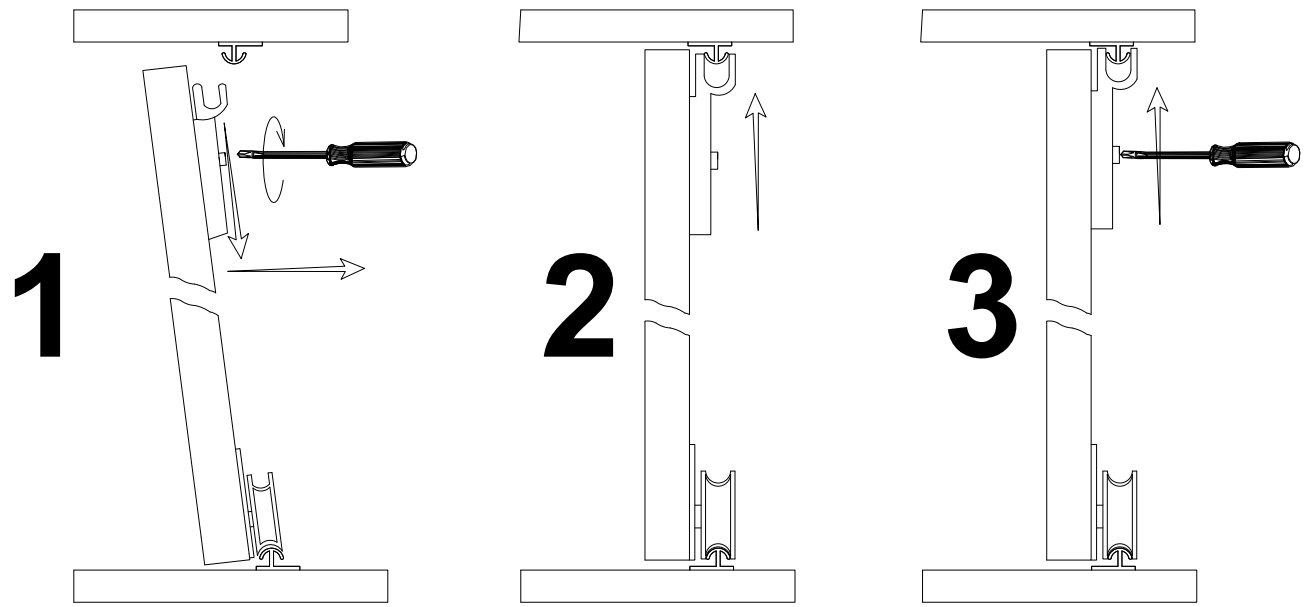
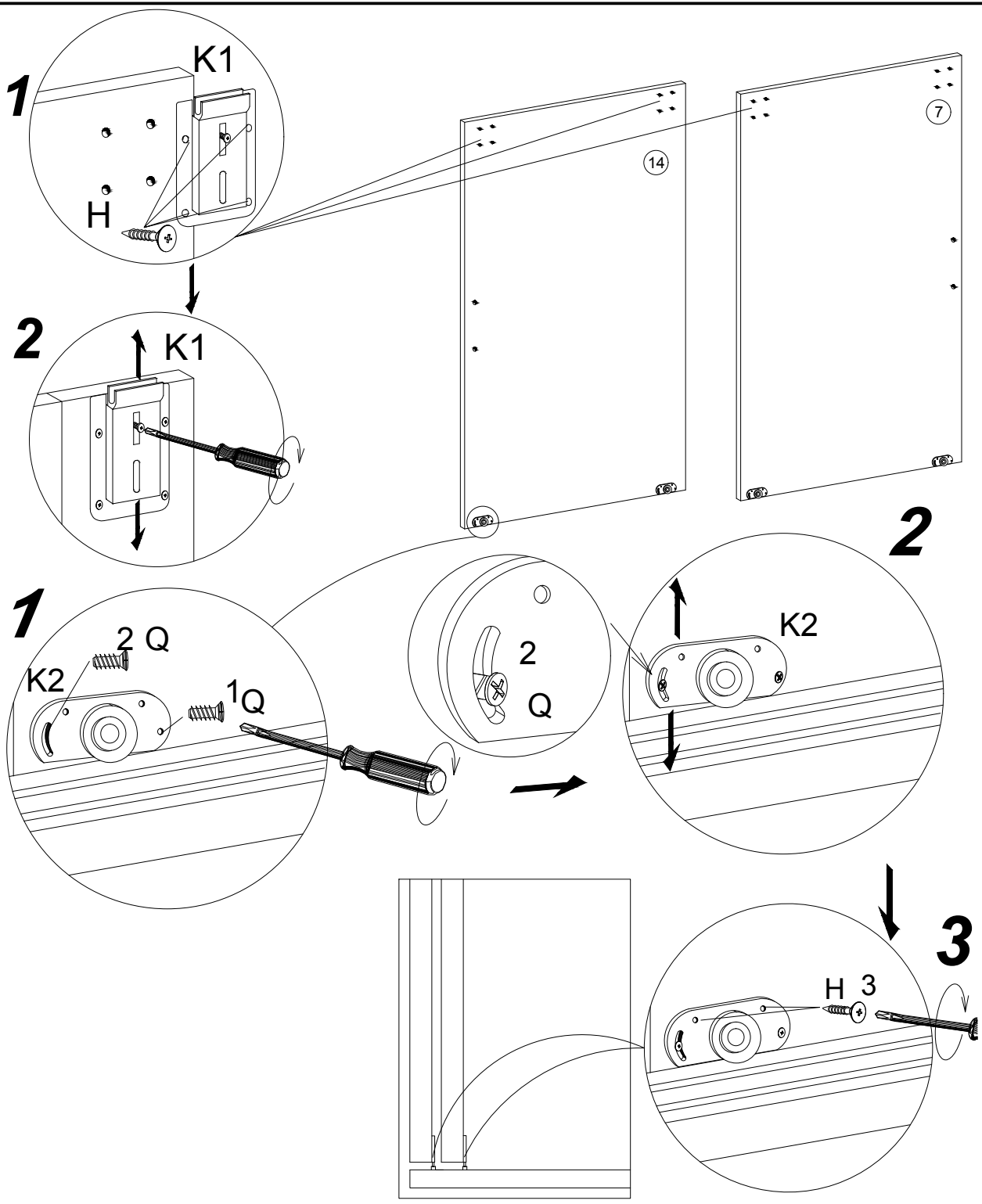
# 14

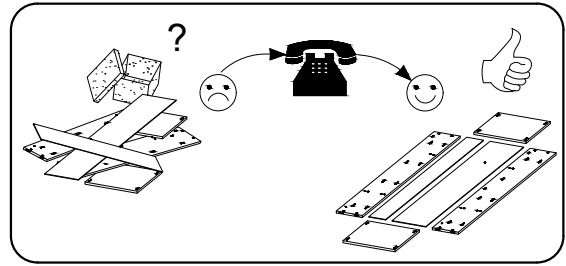
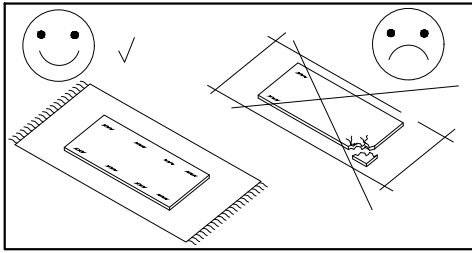
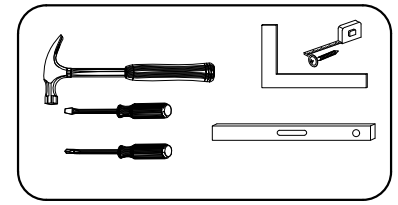
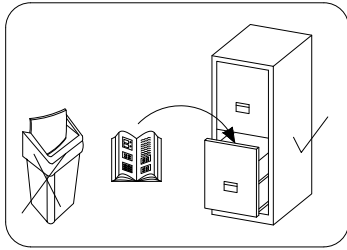
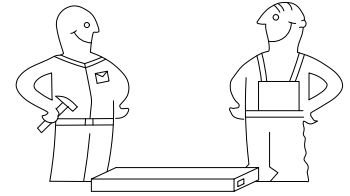


# 15

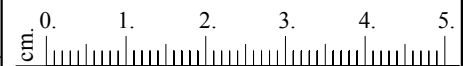
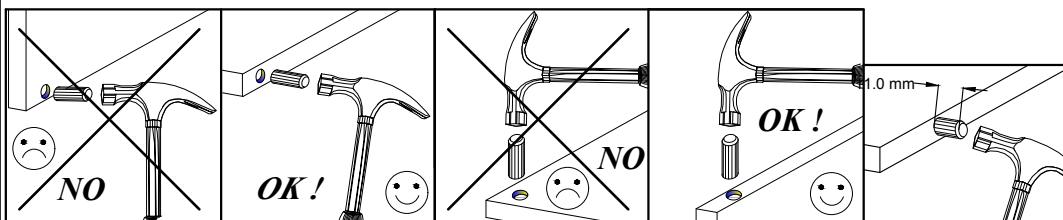


# 16

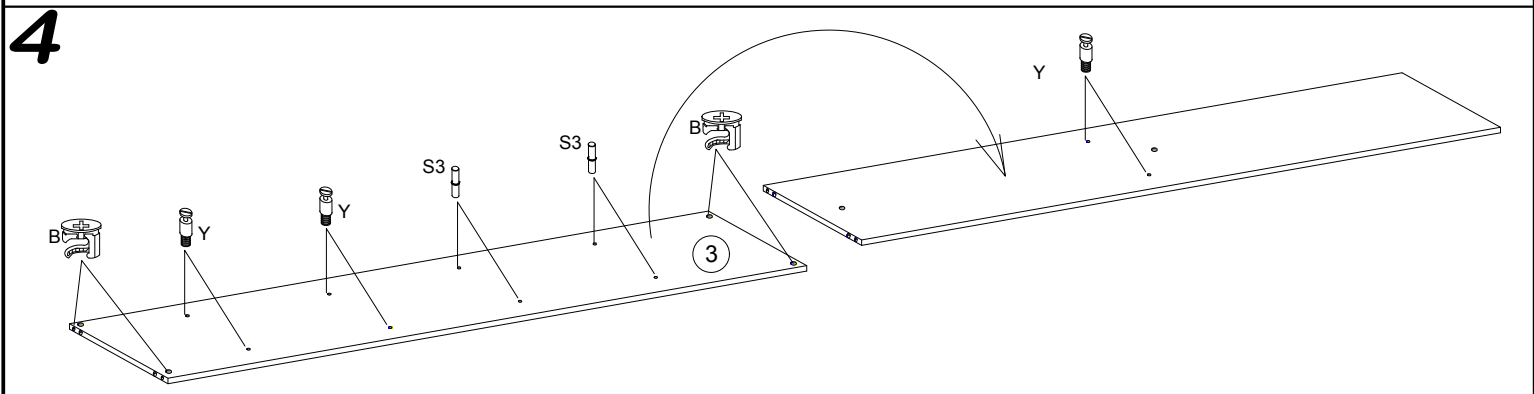
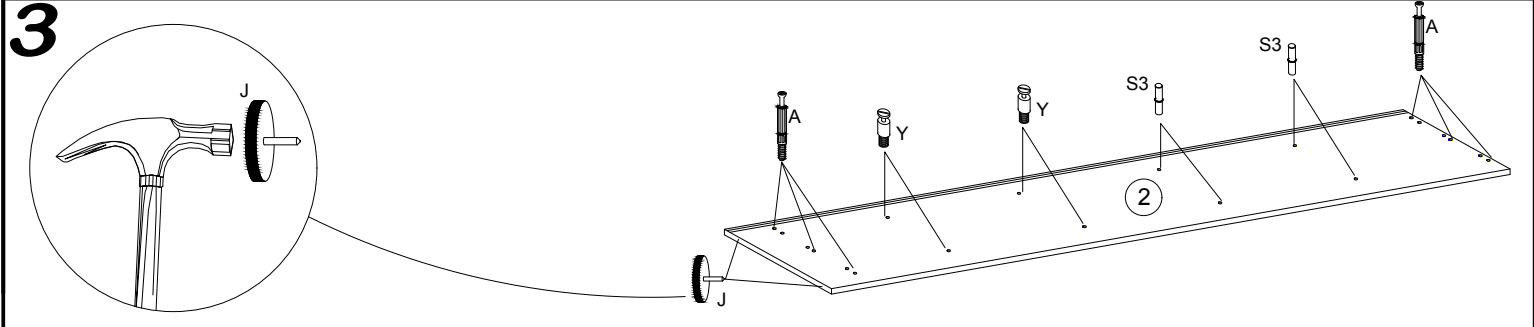
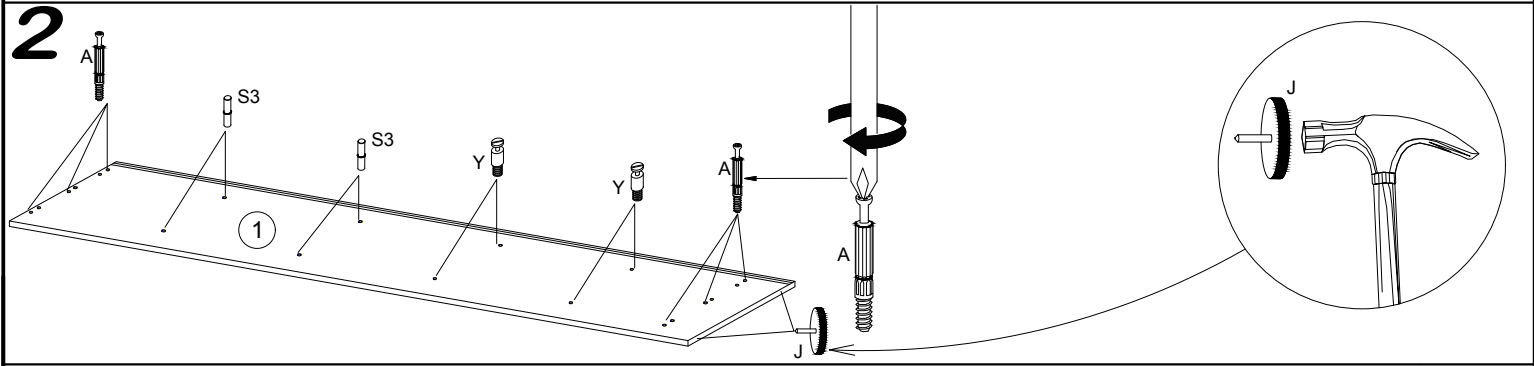
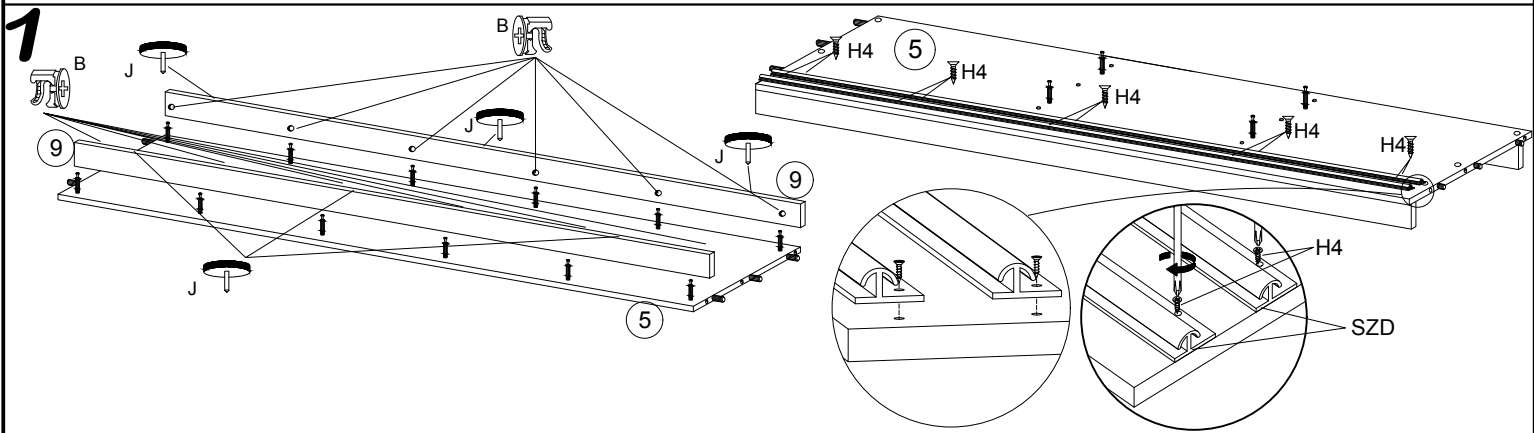
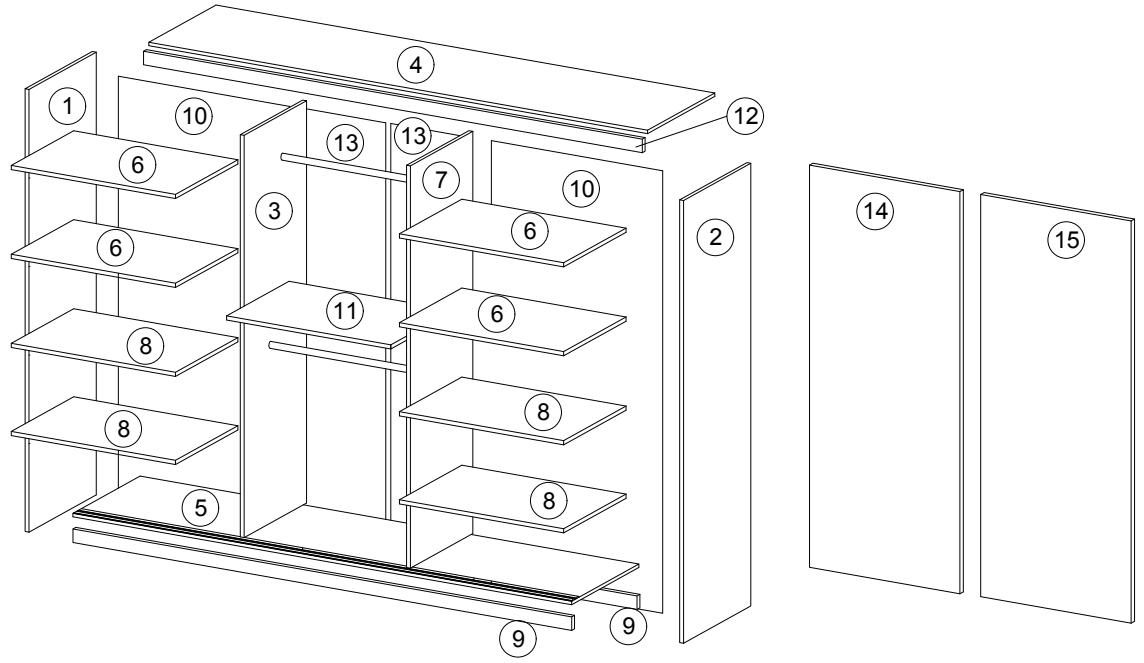


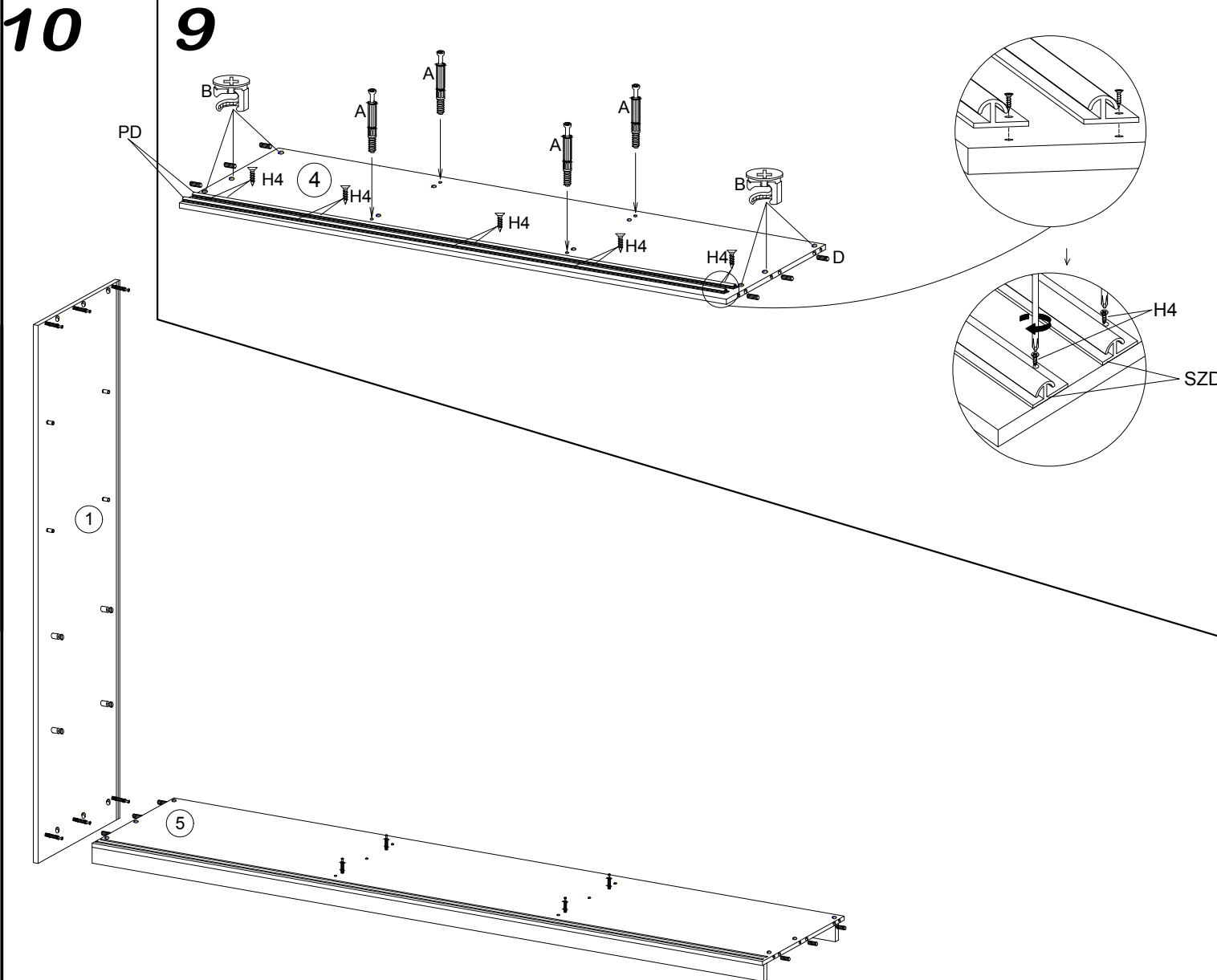
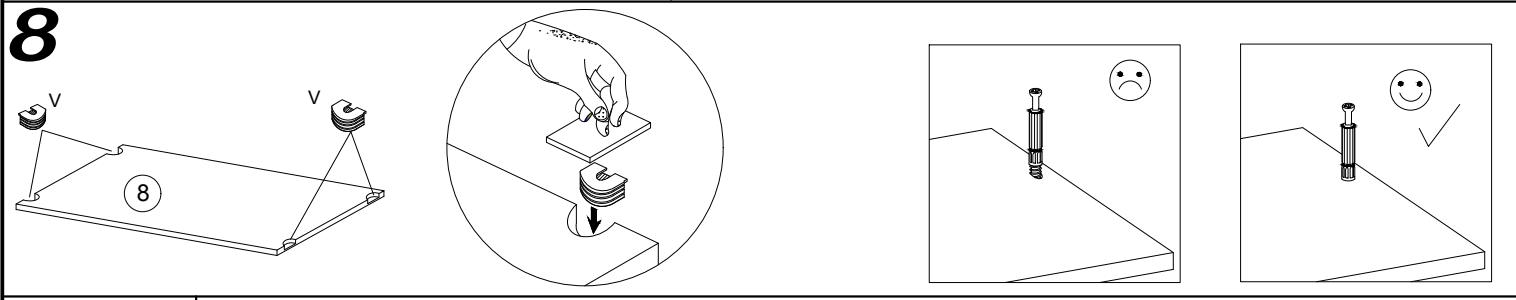
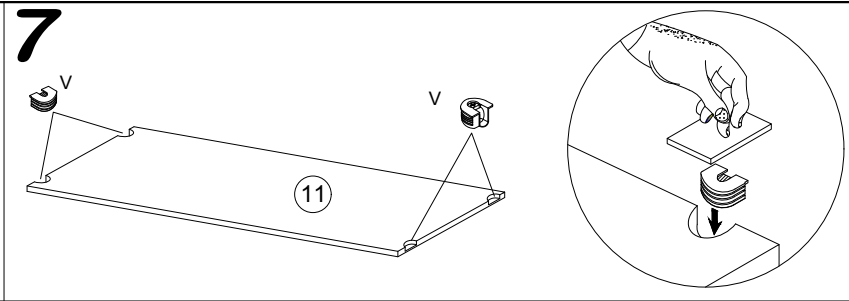
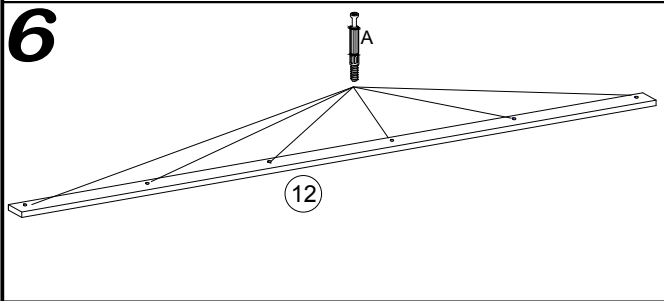
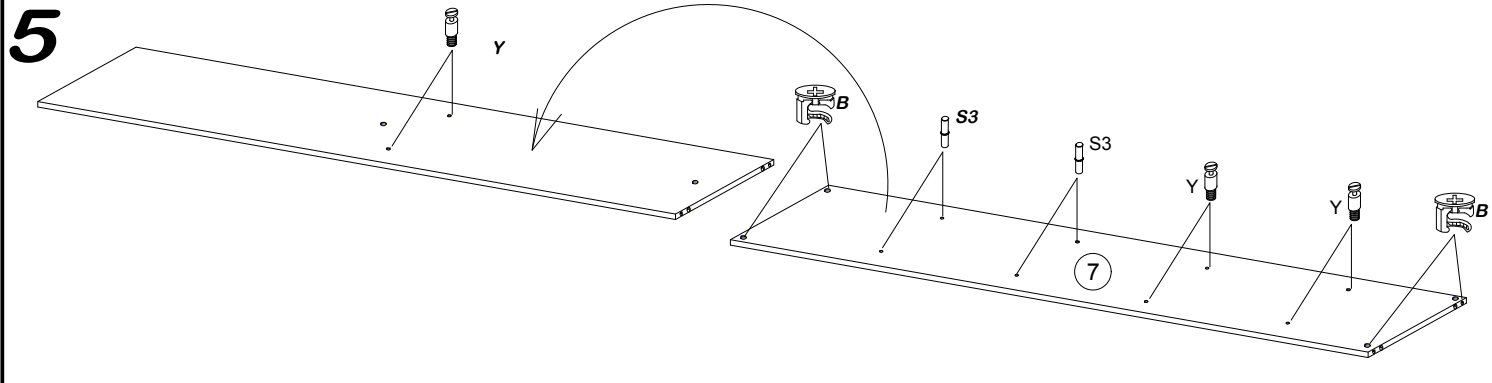


8.0x35  D 20	4.0x25  G 4	 Y 20	 A 38	 B 38	3.5x16  H 28	 V 20	 N 4	 K2 4	 K1 4	 S3 16
 X 30	 F 2	 S 38	 S1 80	 I 30	L-775  V1 2	L-1850  L 1	6.3x13  Q 8	 J 10	 PD 4	3.0x13  H4 20



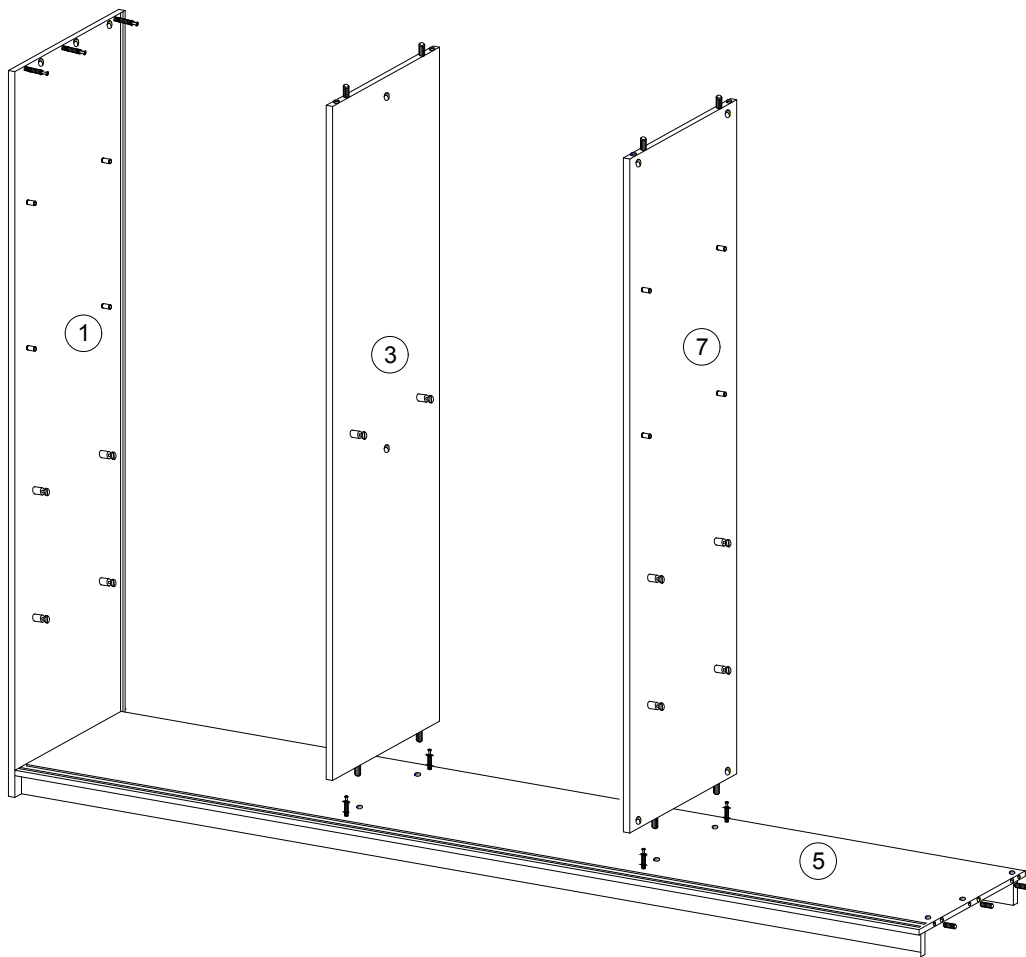
No.	Pcs.	L	W	D
1.	1	2000	620	16
2.	1	2000	620	16
3.	1	1888	480	16
4.	1	1768	582	16
5.	1	1768	600	16
6.	4	475	480	16
7.	1	1888	480	16
8.	4	475	480	16
9.	2	1768	80	16
10.	2	1918	492	3
11.	1	785	480	16
12.	1	1768	70	16
13.	2	1918	398	3
14.	1	1873	900	16
15.	1	1873	900	16



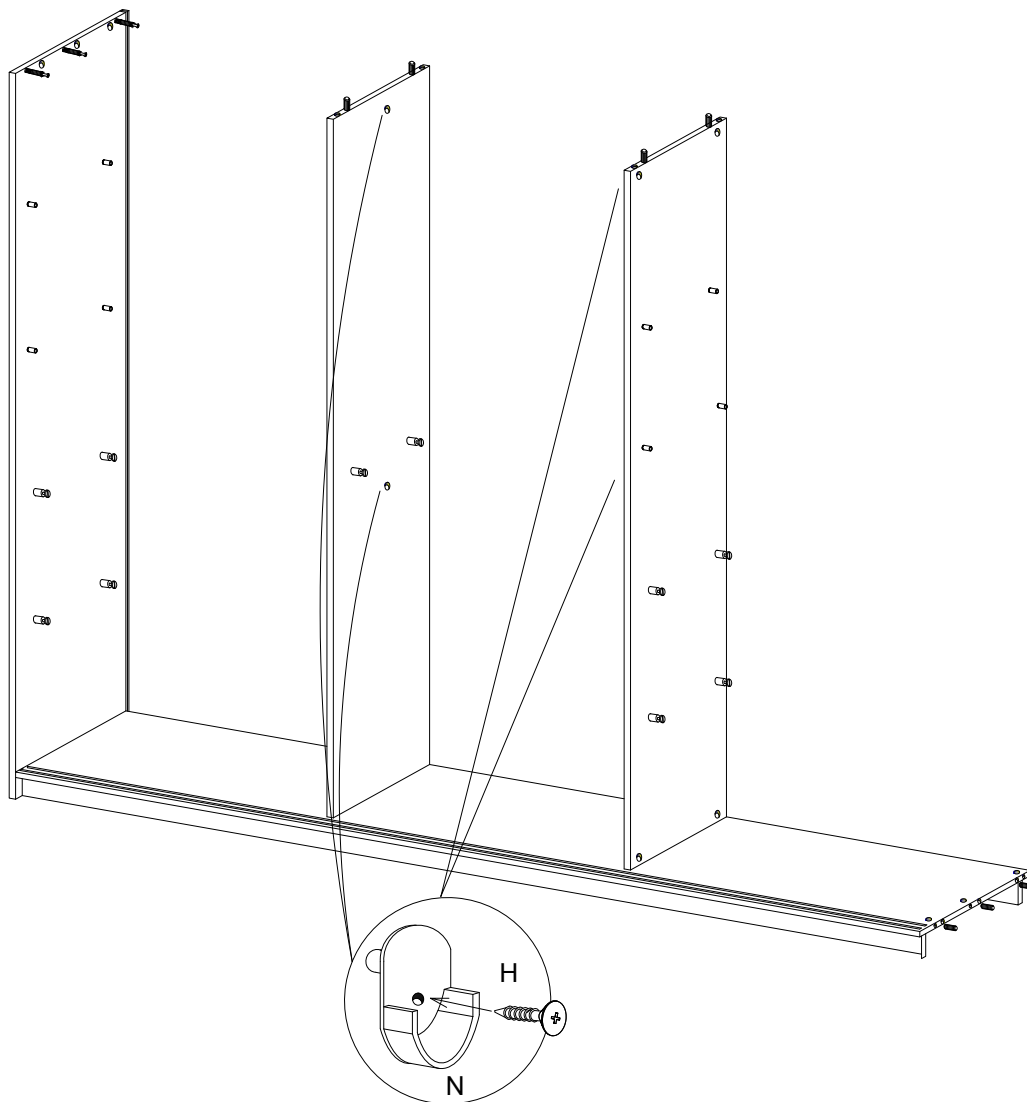




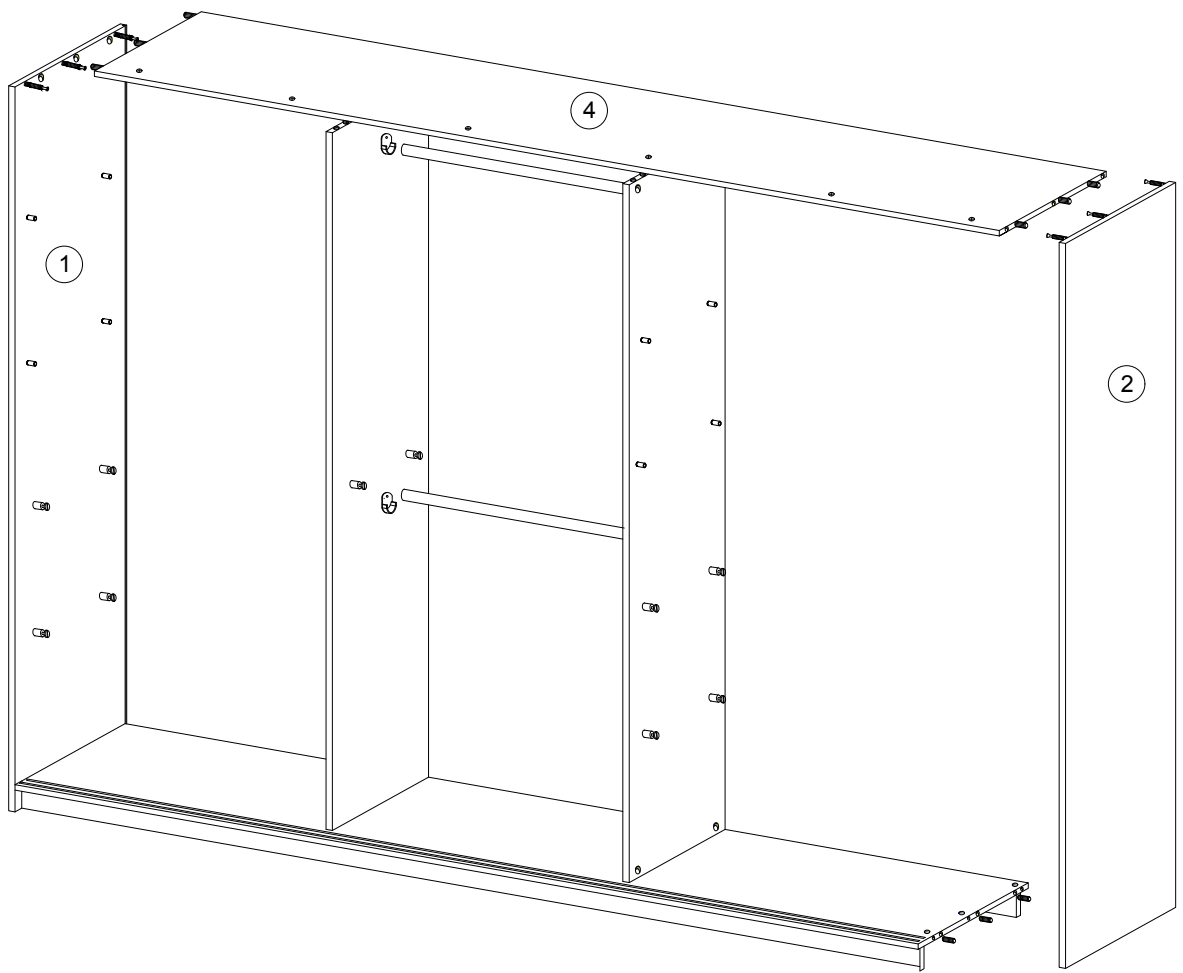
11



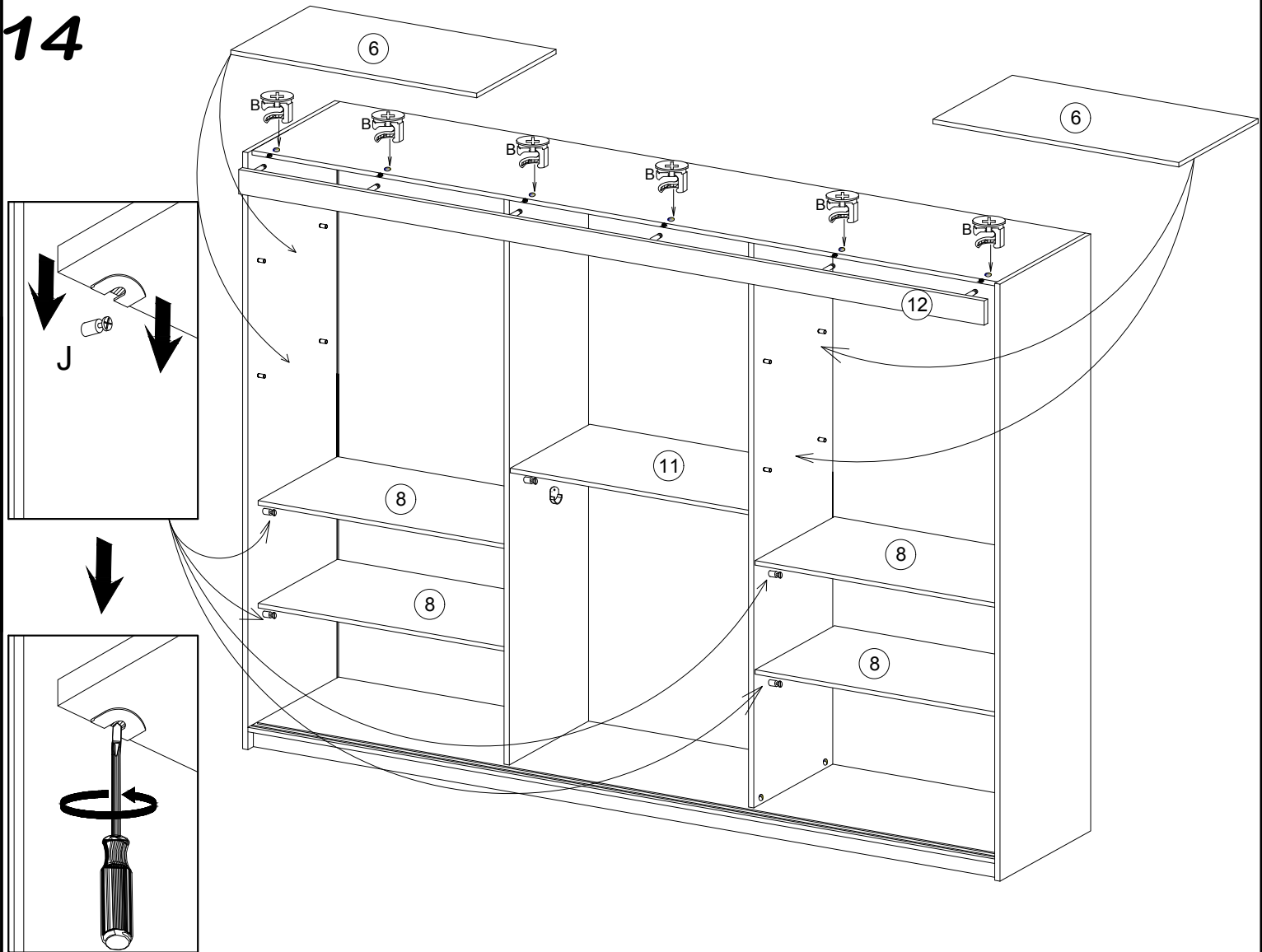
12



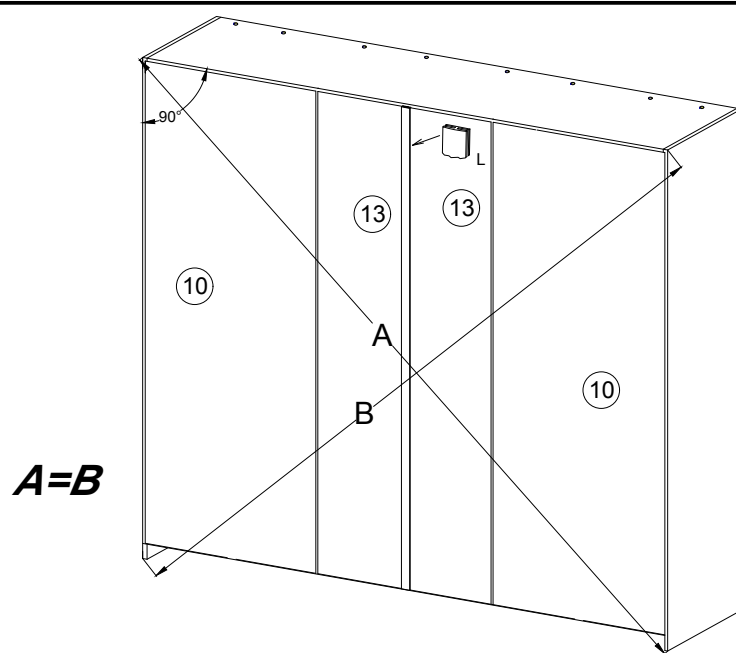
# 13



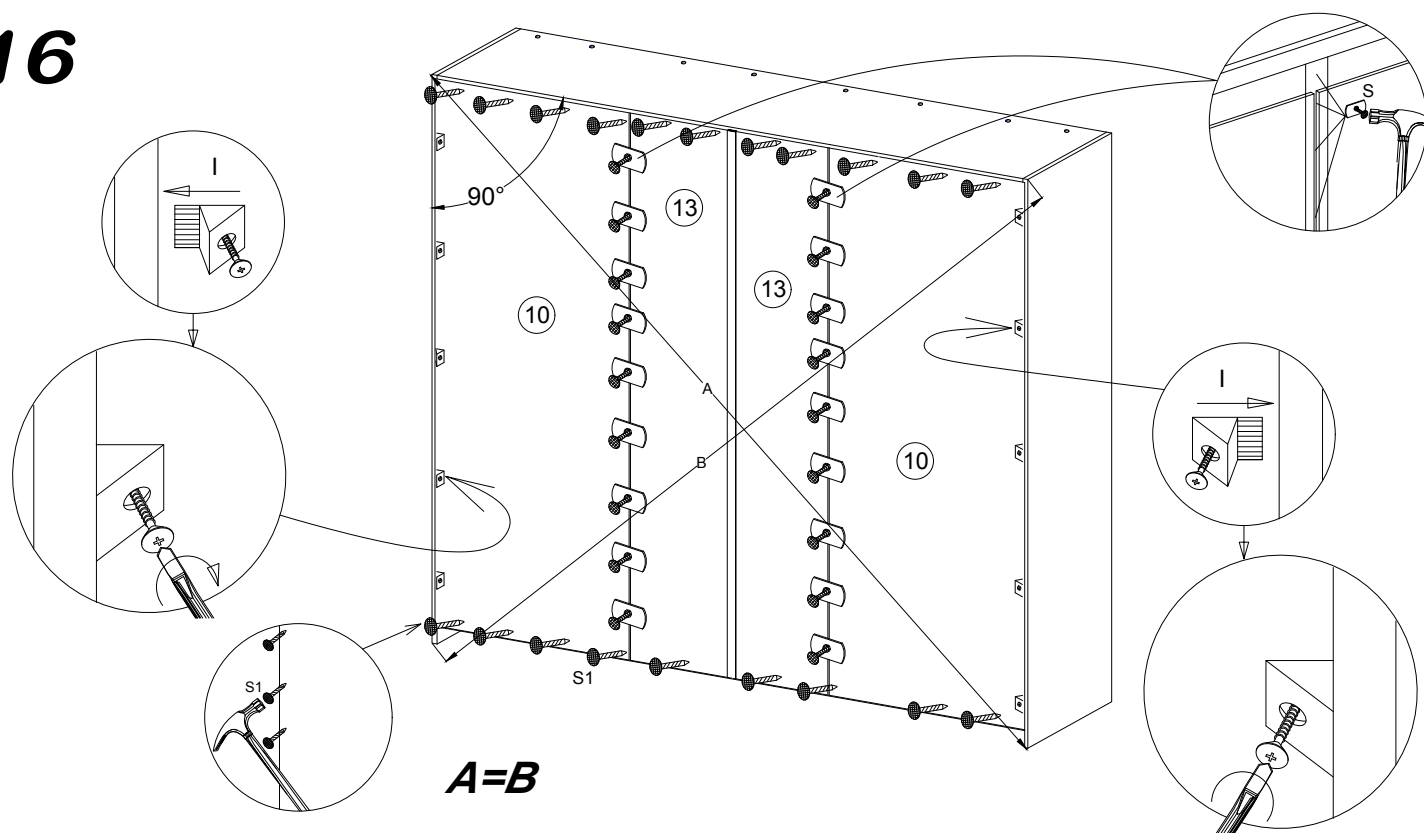
# 14



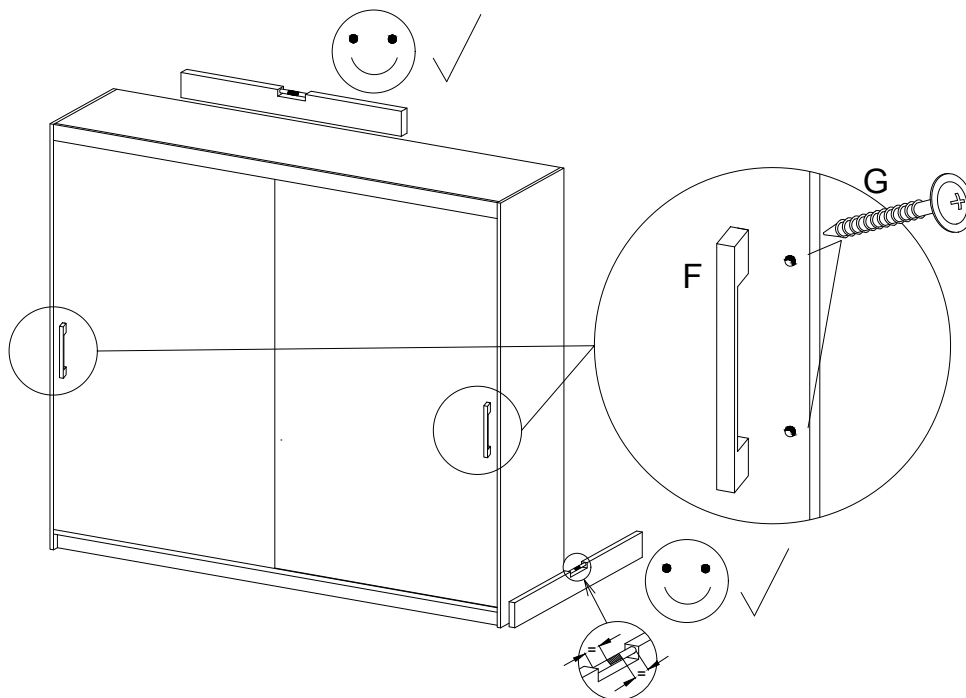
# 15



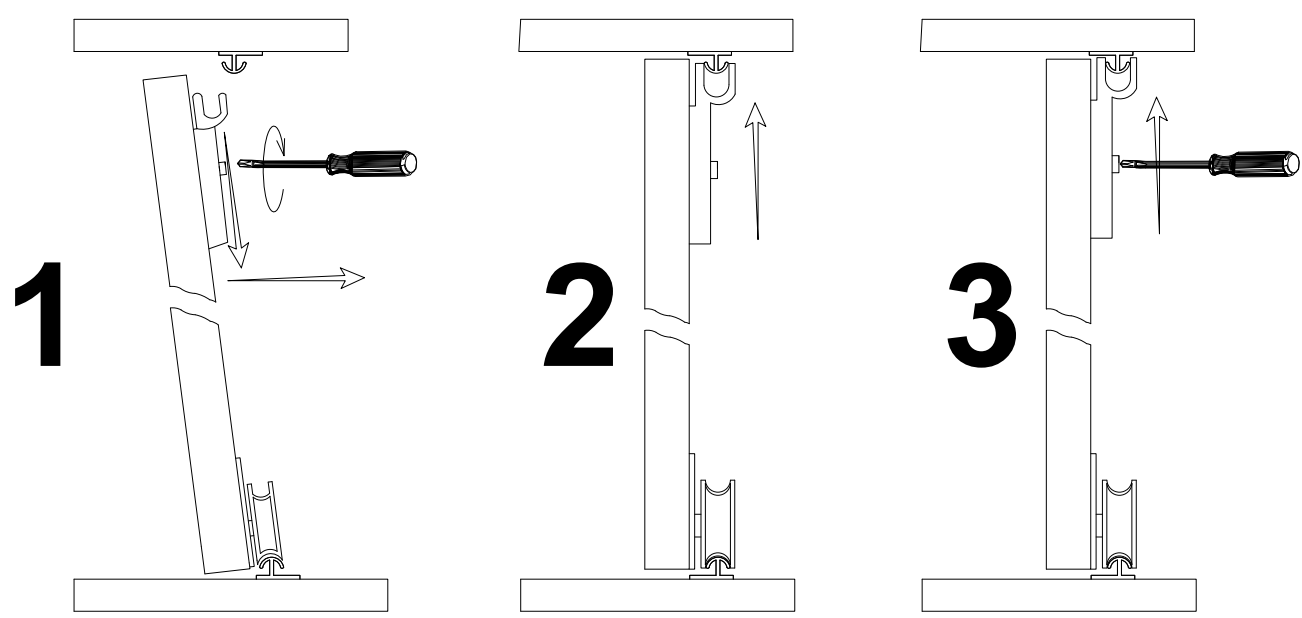
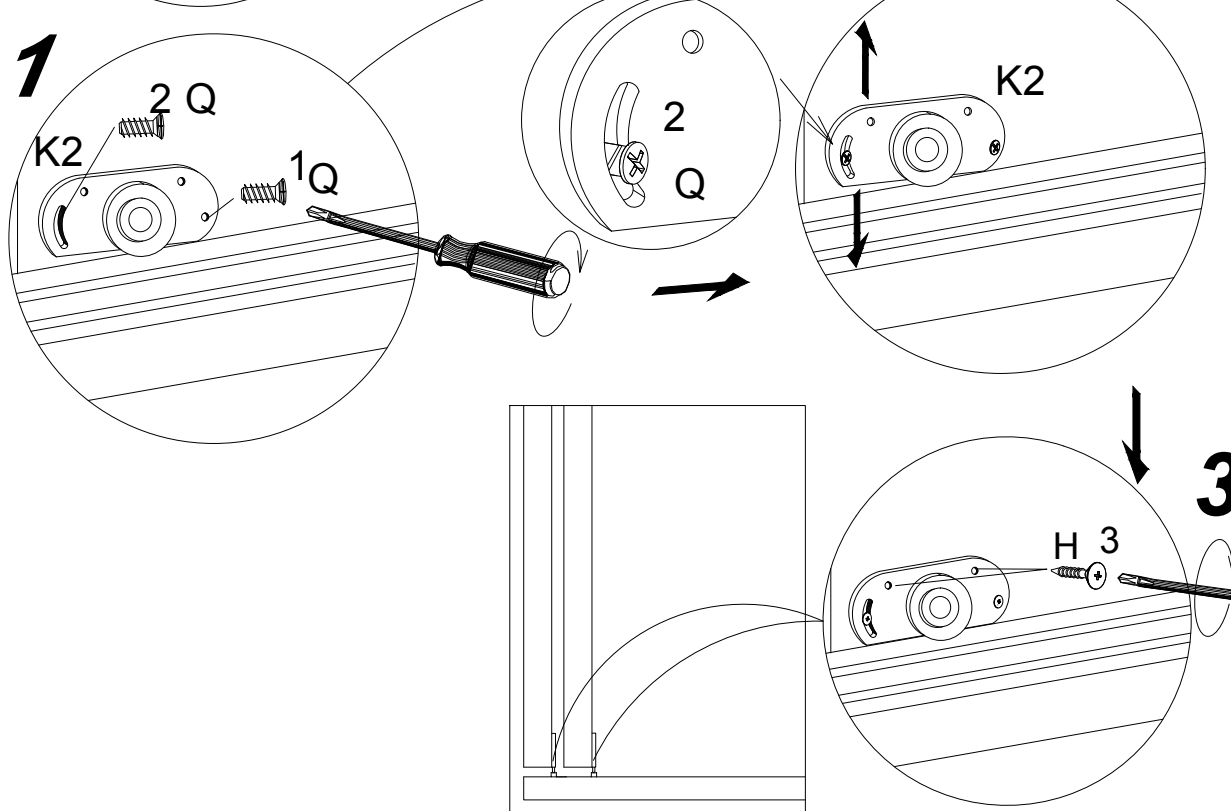
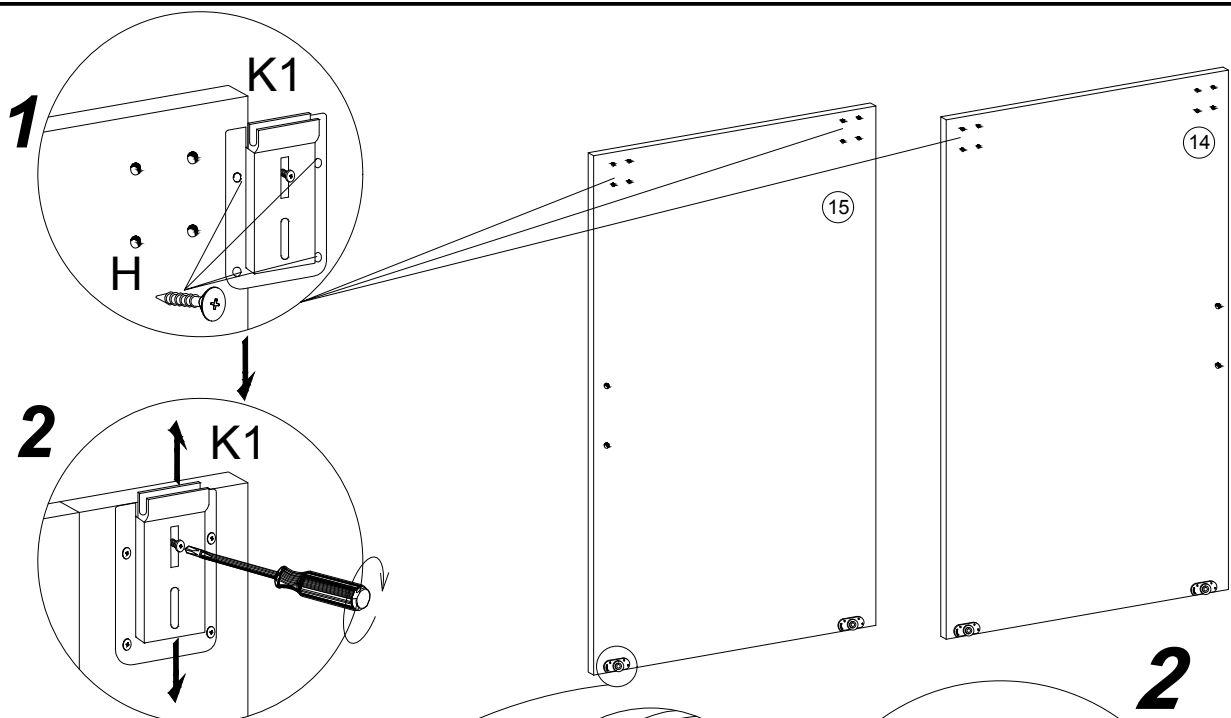
# 16

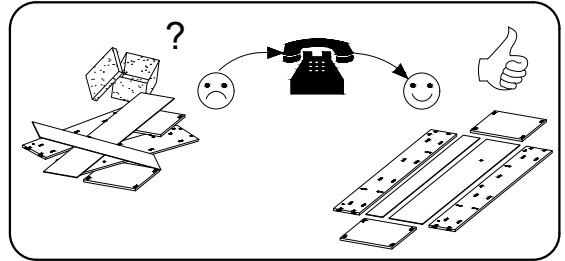
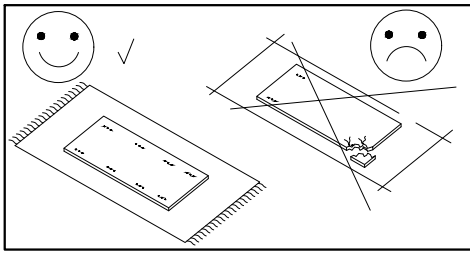
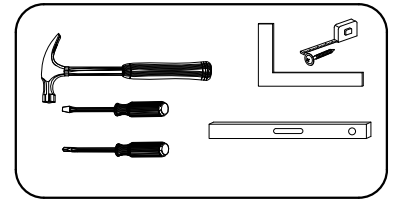
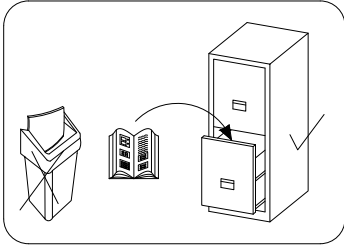
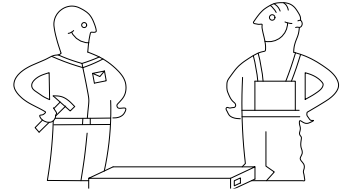


# 17

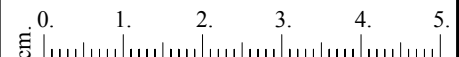
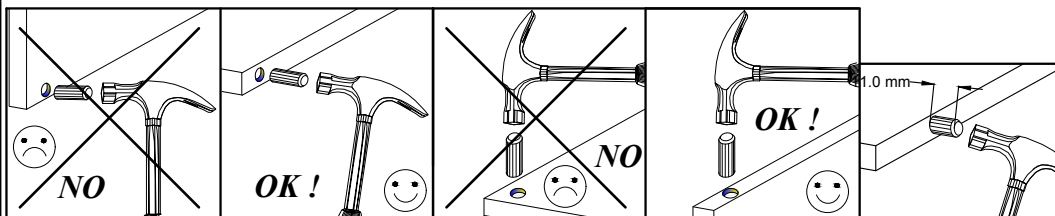


# 16

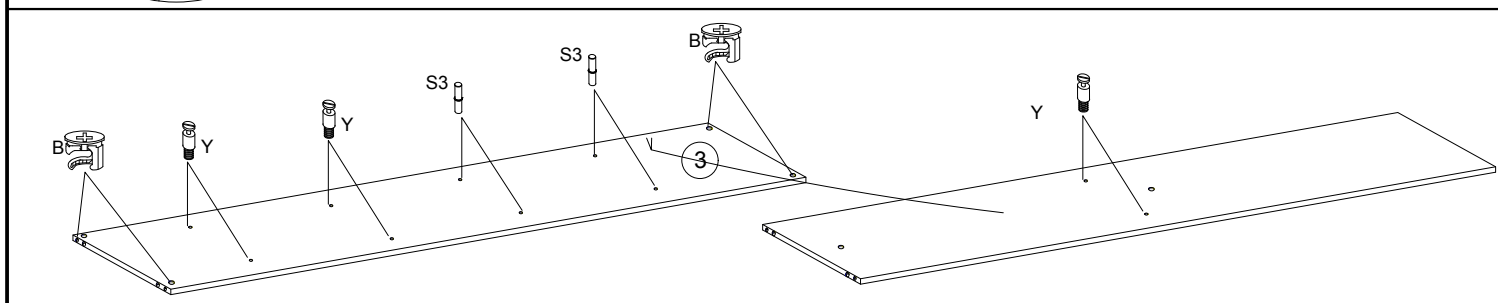
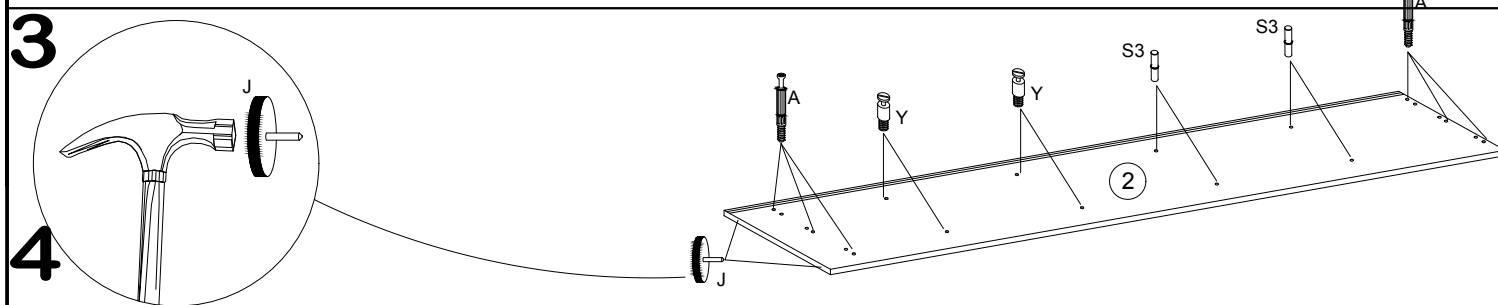
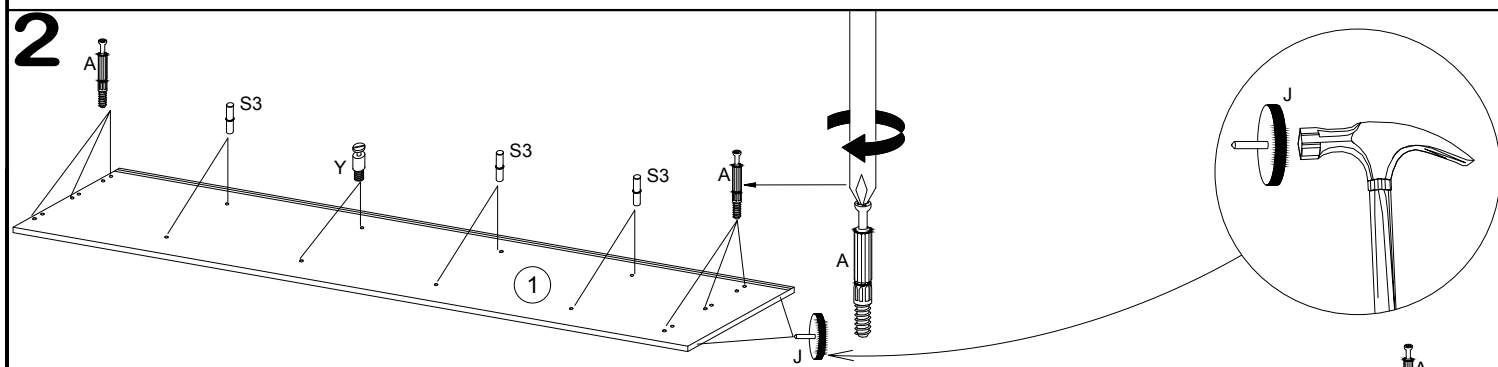
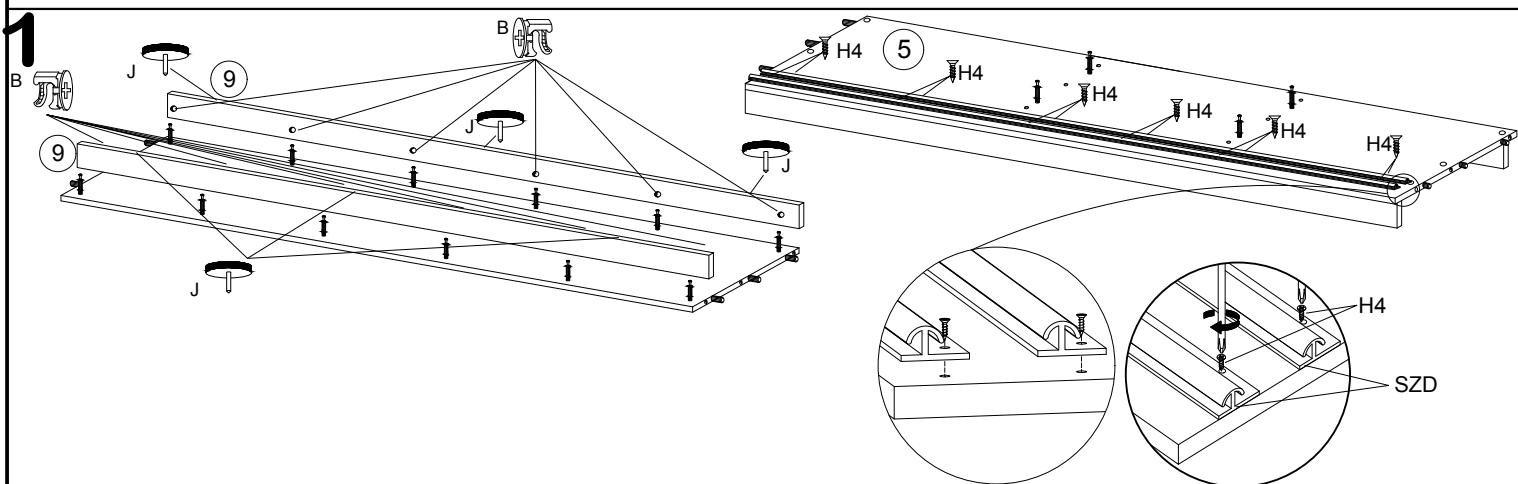
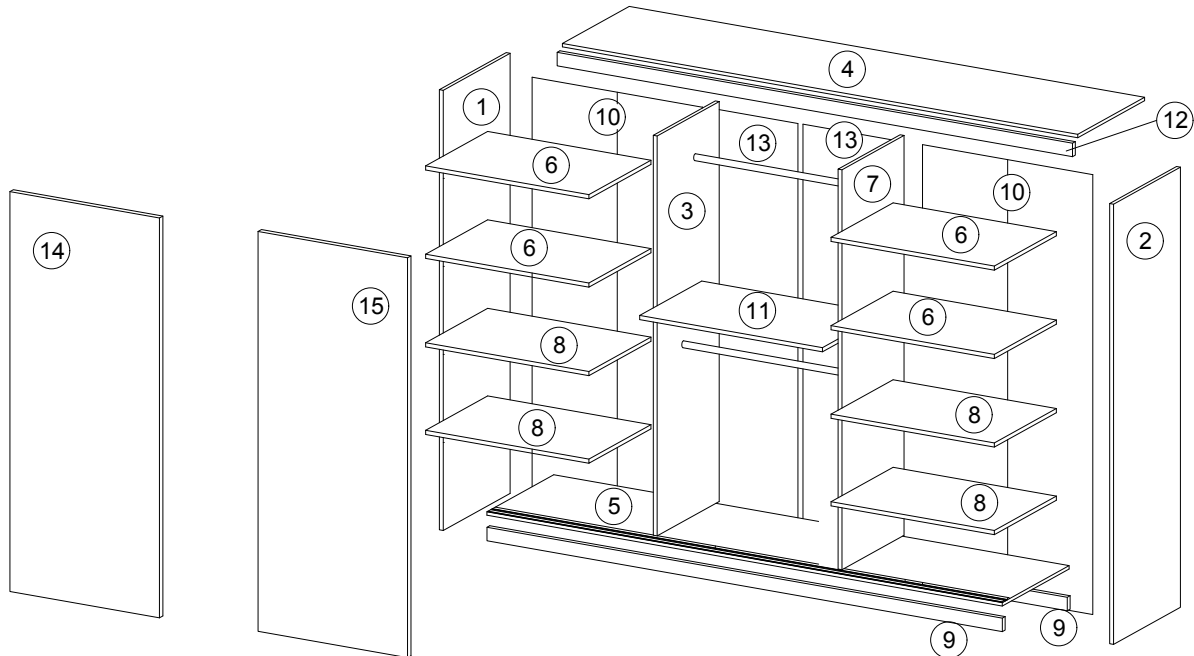


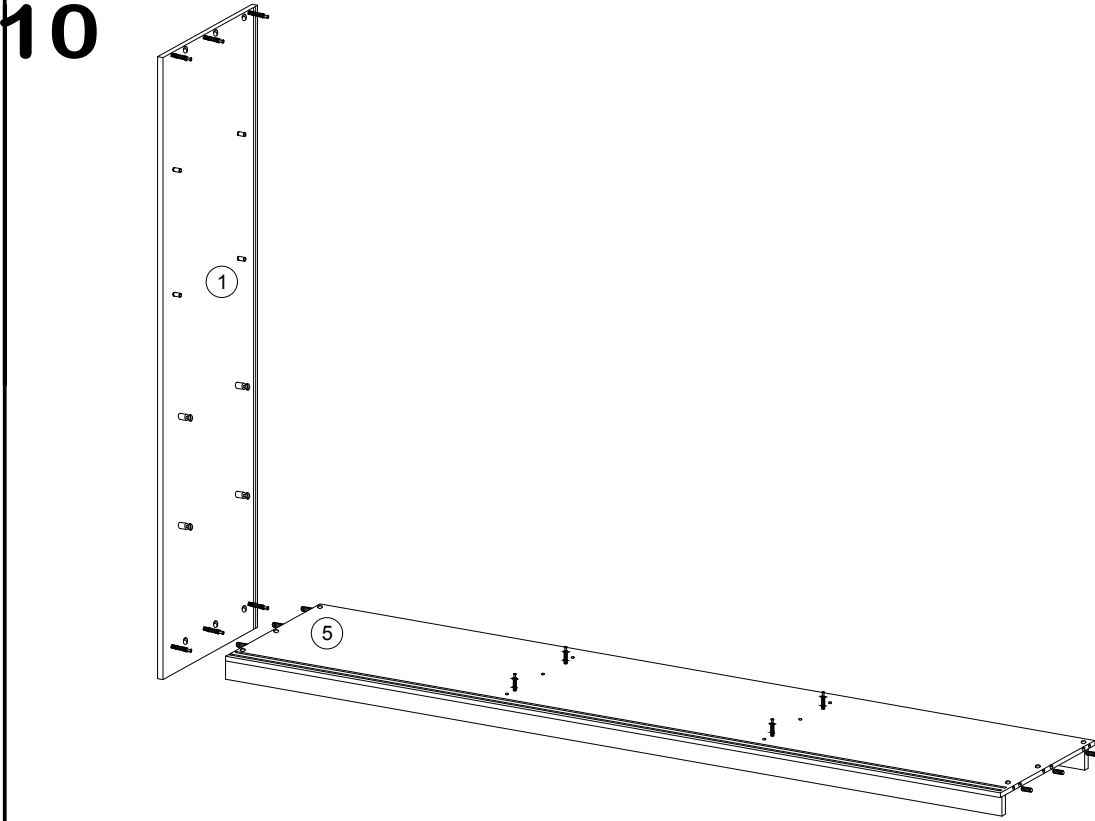
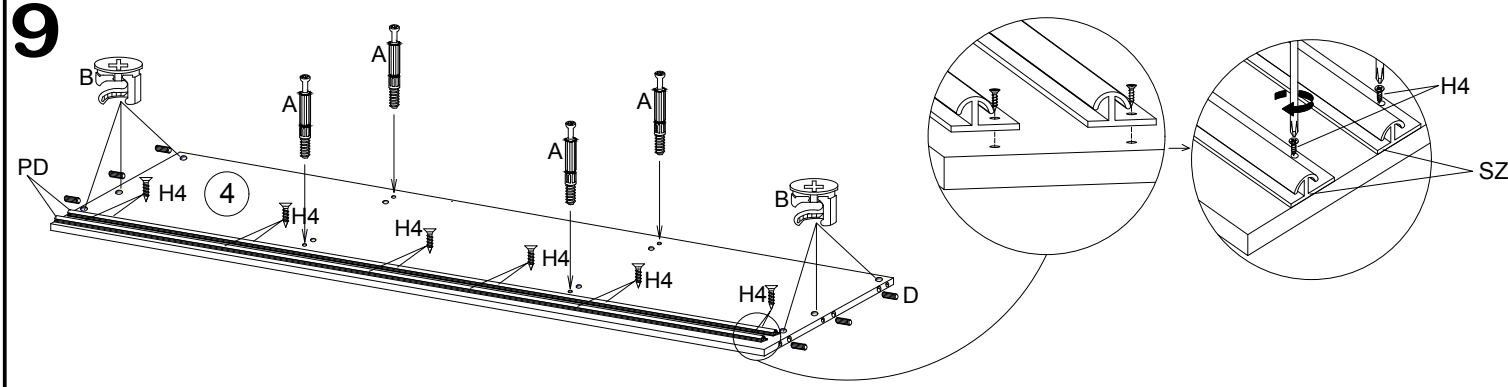
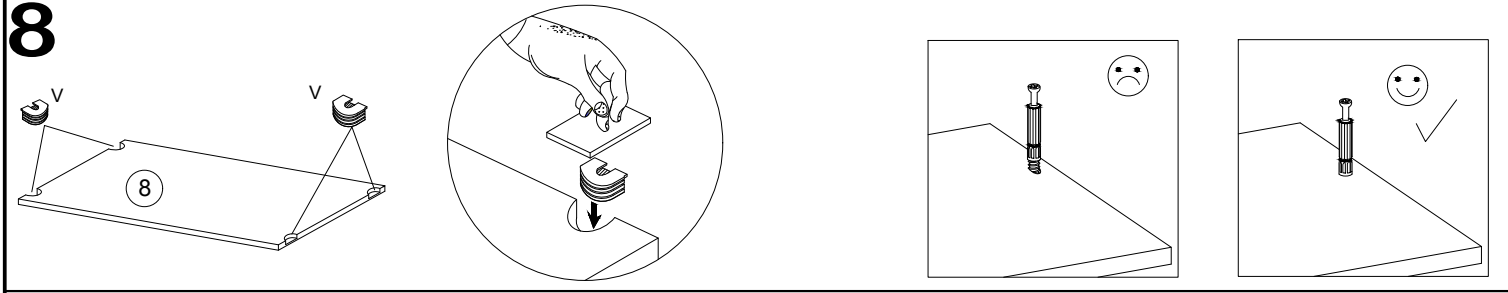
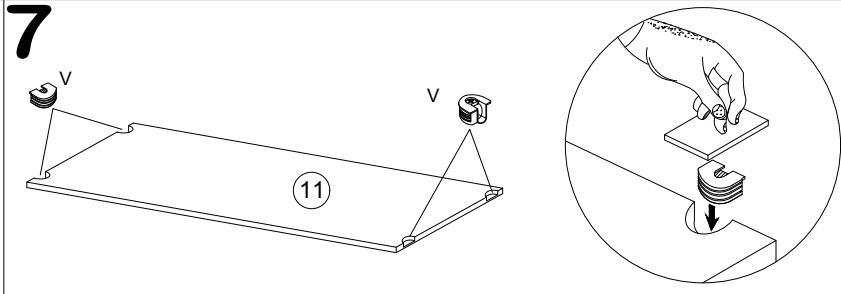
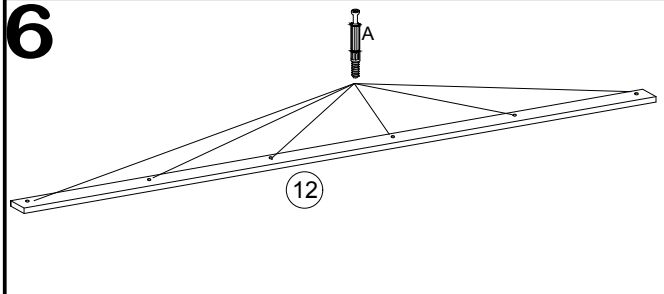
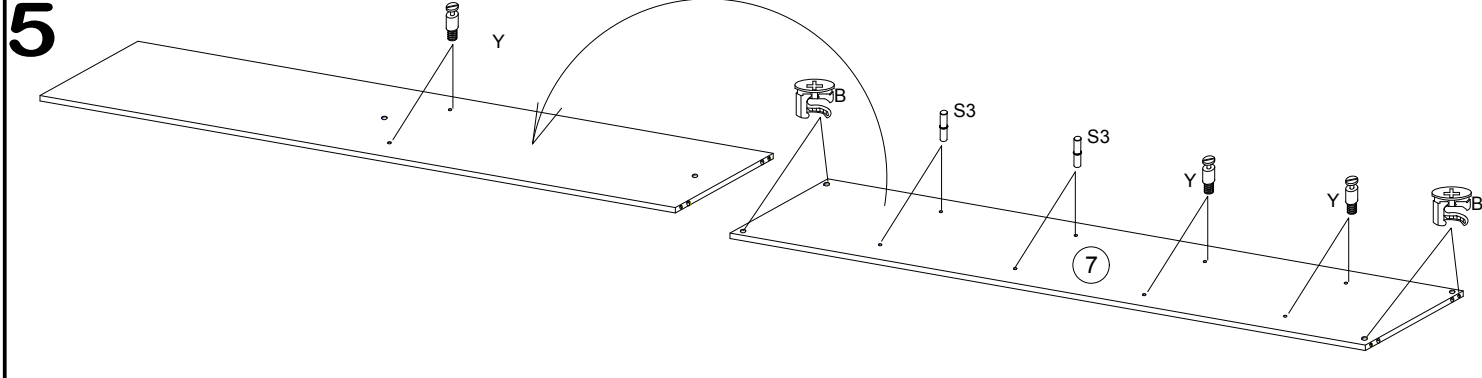


8.0x35  D	4.0x25  G	 Y	 A	 B	3.5x16  H	 V	 N	 K2	 K1	 S3
20	4	20	38	38	28	20	4	4	4	16
 X	 F	 S	 S1	 I	L-975  V1	L-1850  L	6.3x13  Q	 J	 PD	 H4
30	2	38	80	30	2	1	8	10	4	24

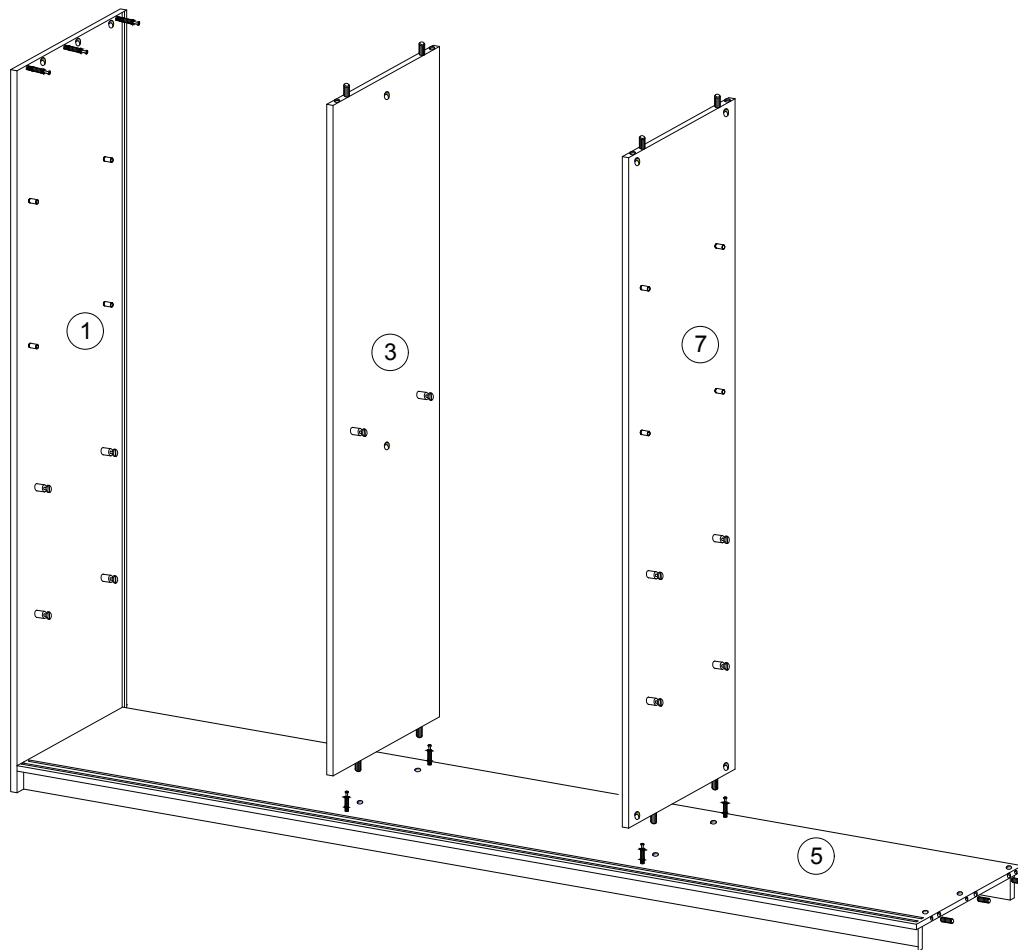


No.	Pcs.	L	W	D
1.	1	2000	620	16
2.	1	2000	620	16
3.	1	1888	480	16
4.	1	2468	582	16
5.	1	2468	600	16
6.	4	667	480	16
7.	1	1888	480	16
8.	4	667	480	16
9.	2	2468	80	16
10.	4	1918	341	3
11.	1	667	480	16
12.	1	2468	70	16
13.	2	1918	557	3
14.	1	1873	1000	16
15.	1	1873	1000	16

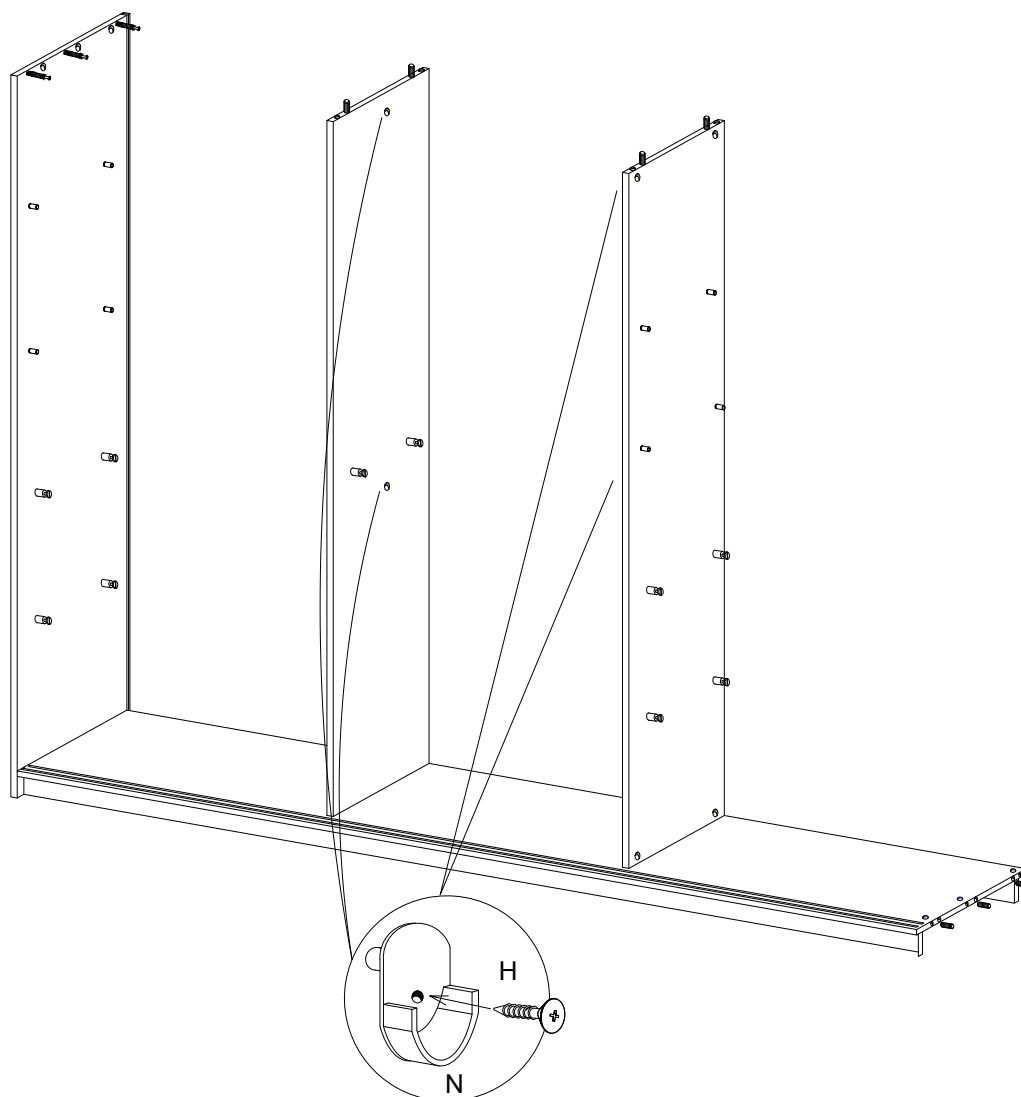




# 11

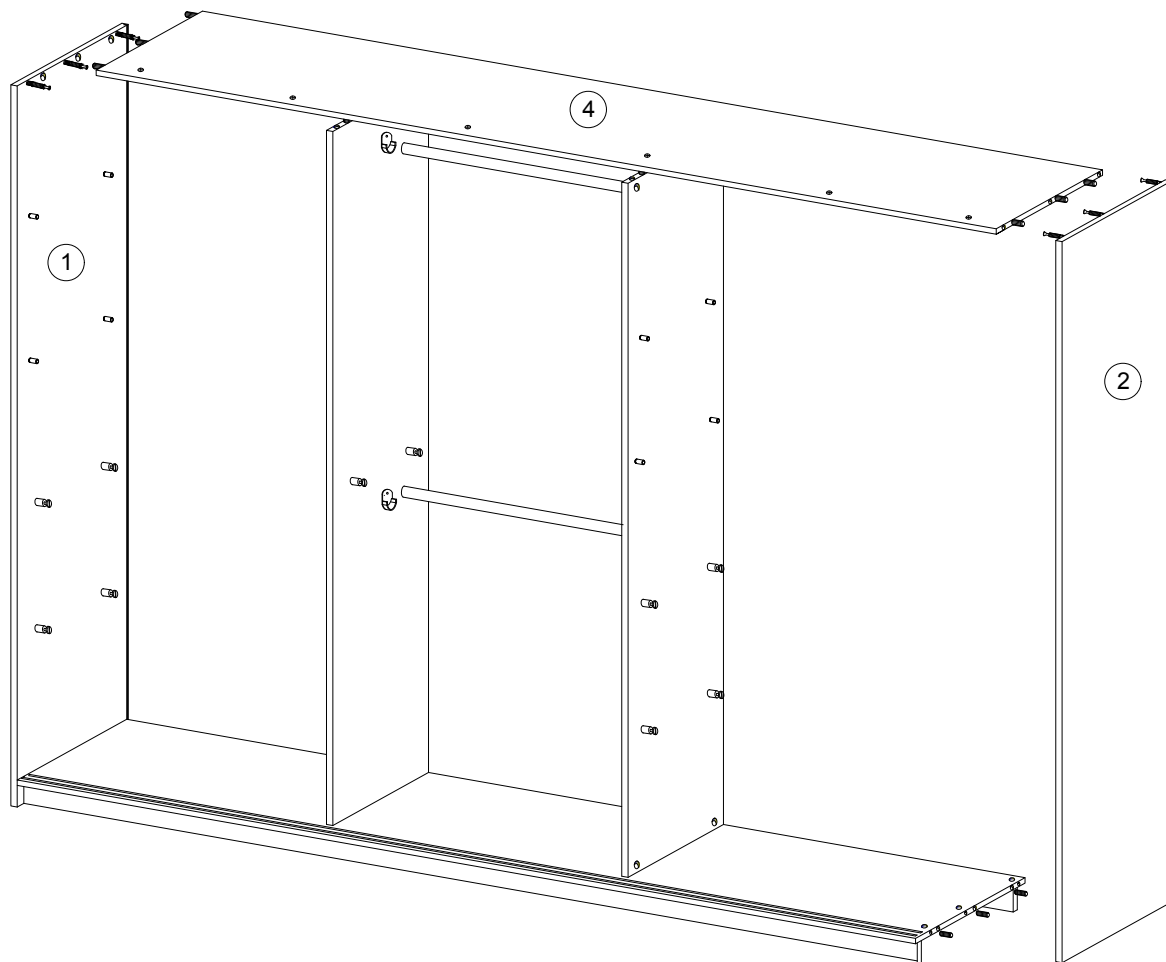


# 12

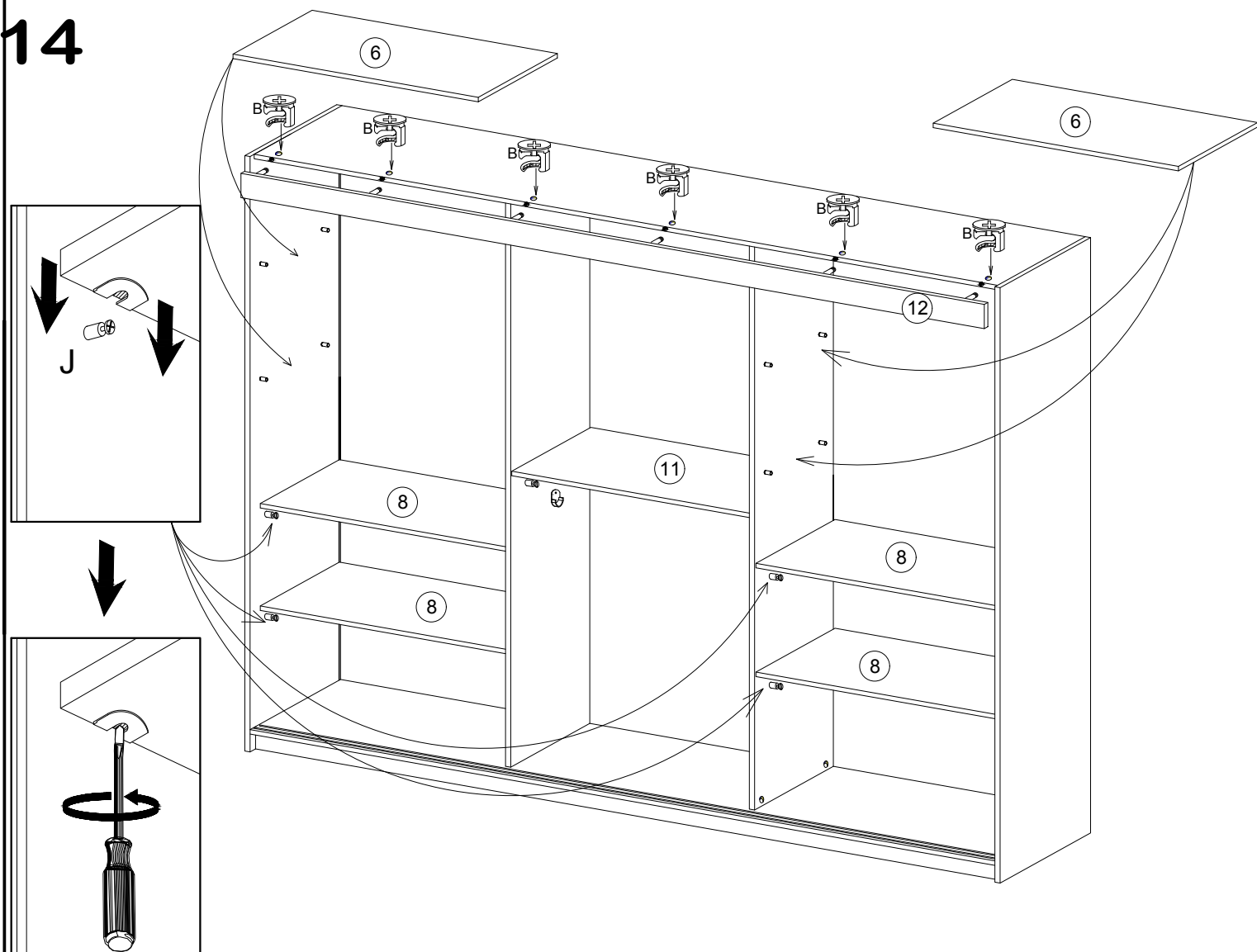




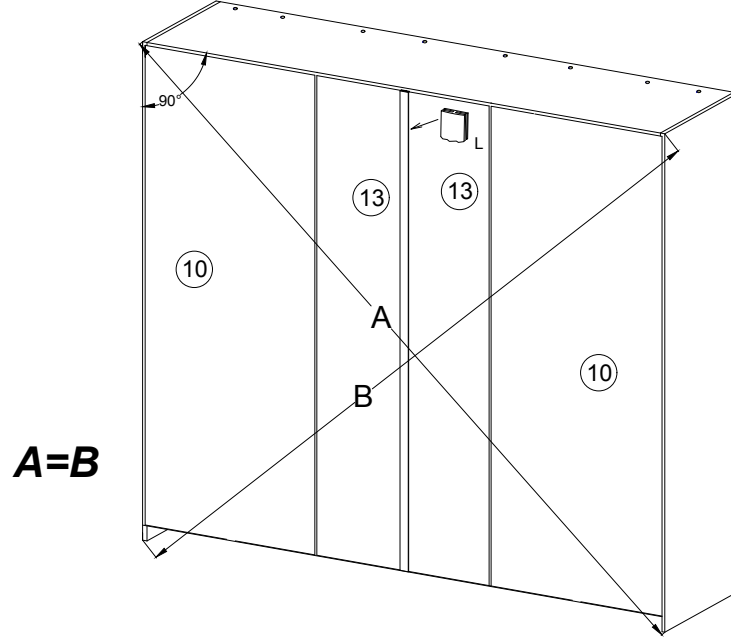
# 13



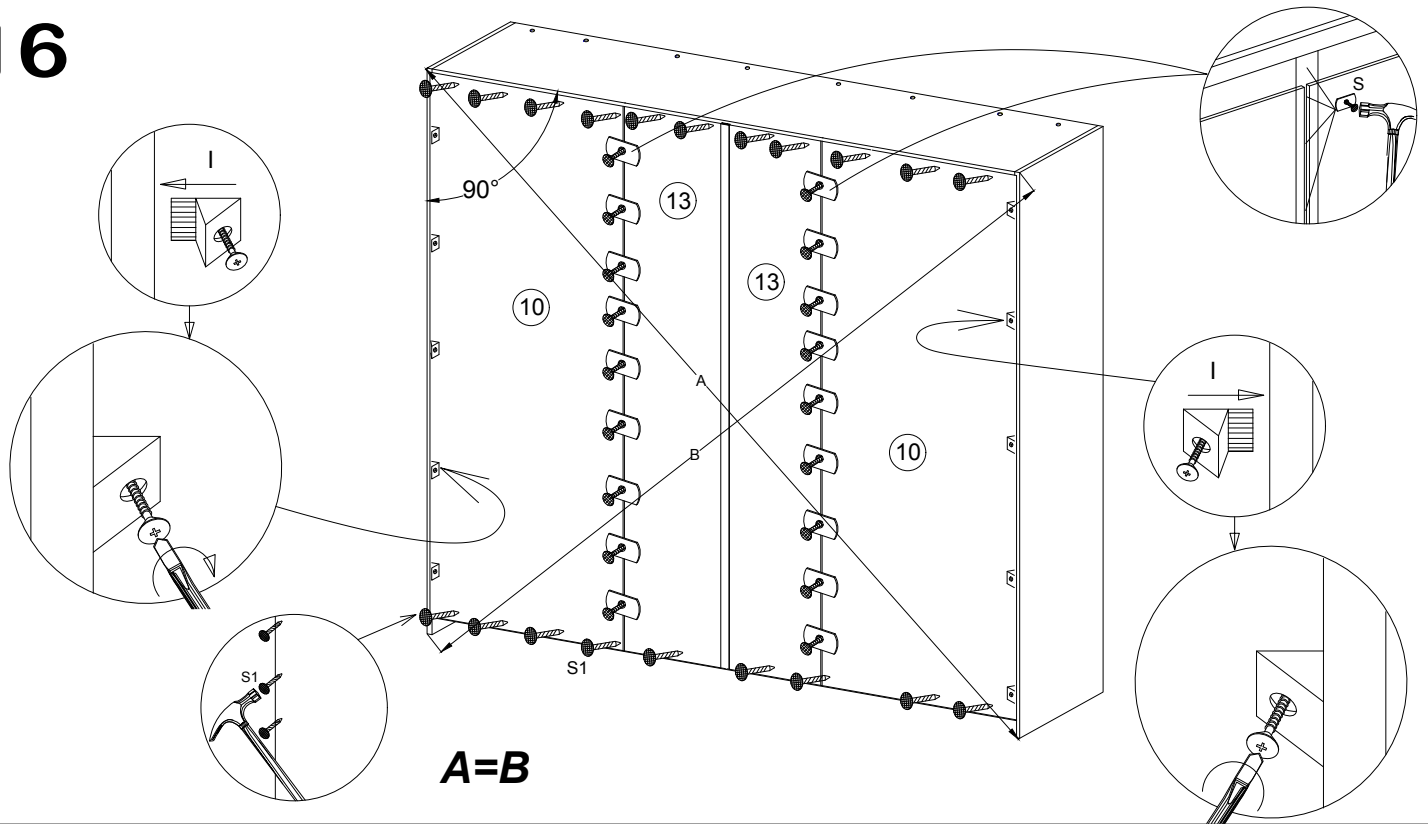
# 14



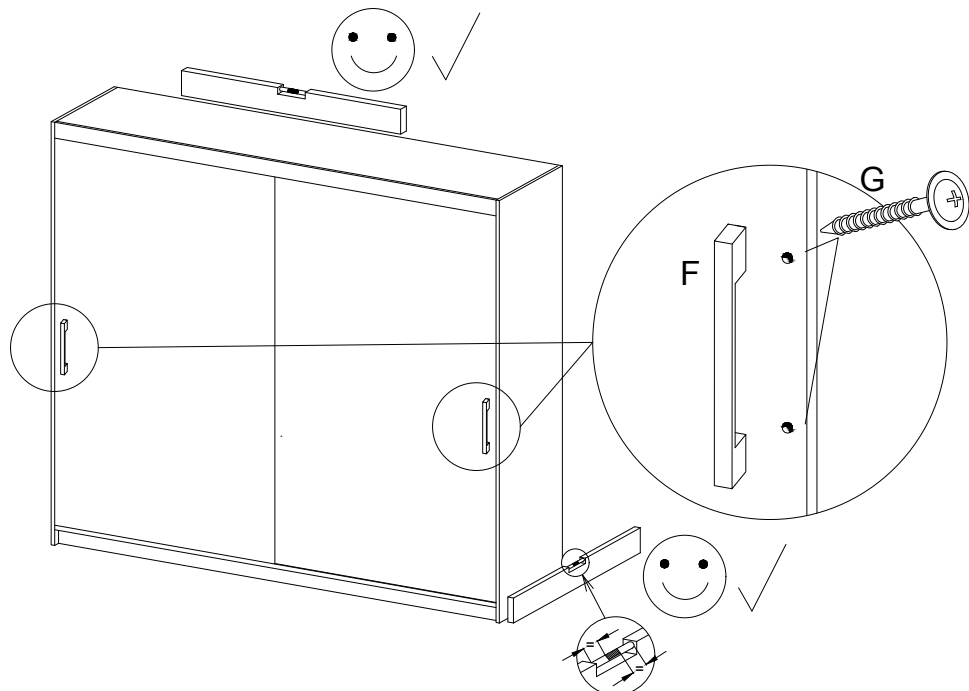
# 15



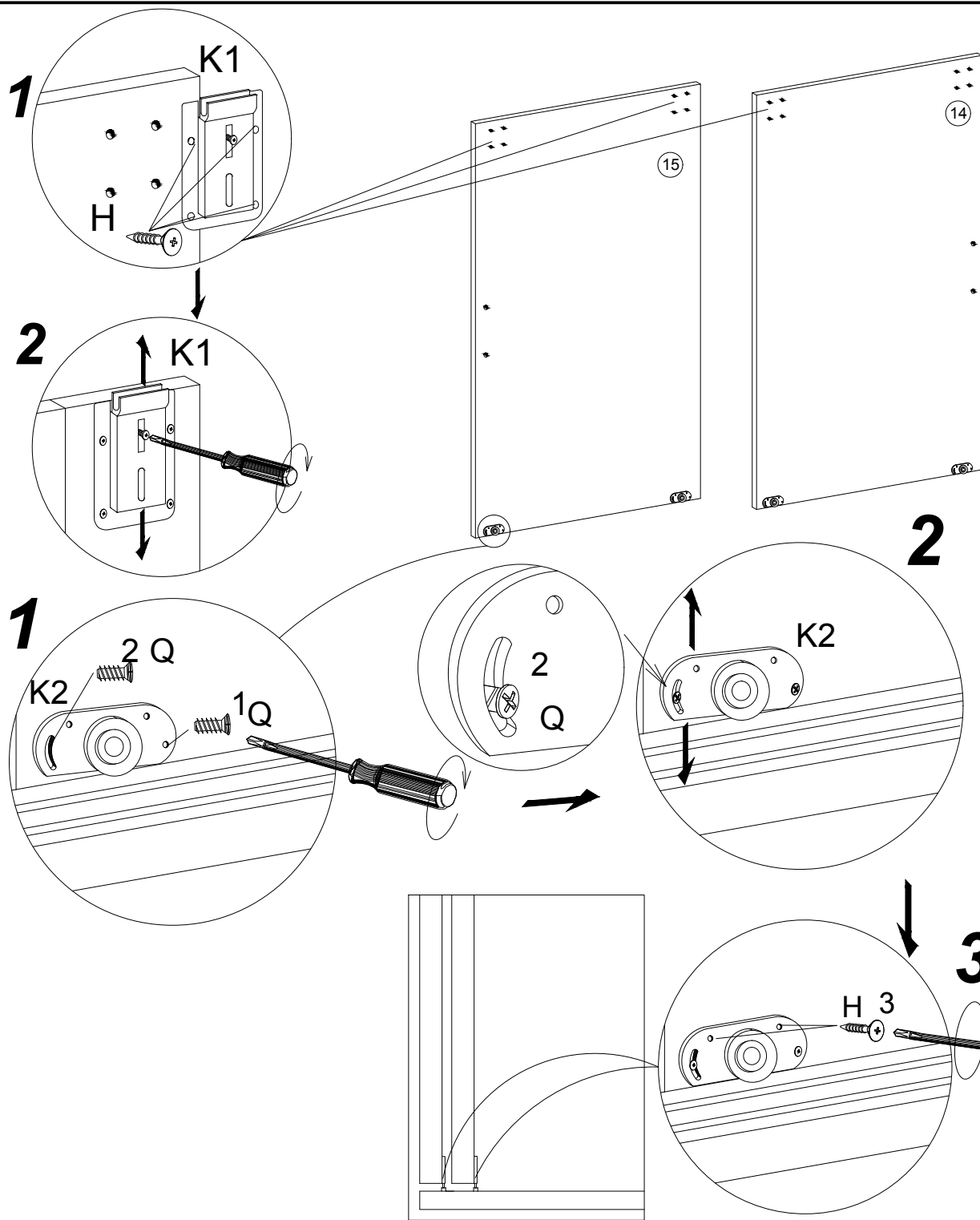
# 16



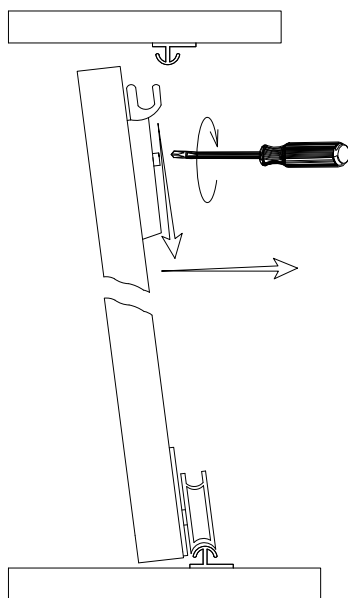
# 17



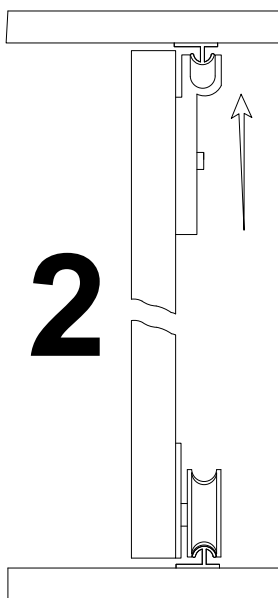
# 18



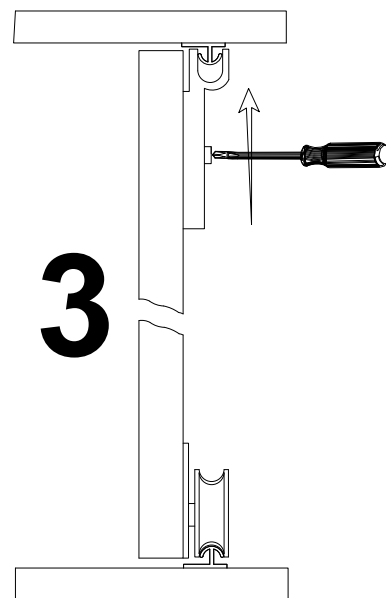
# 1

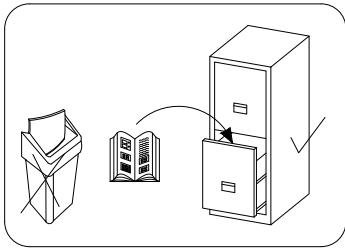
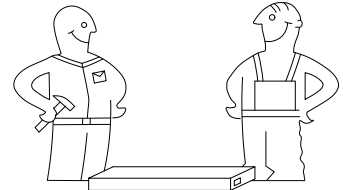


# 2

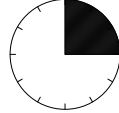


# 3



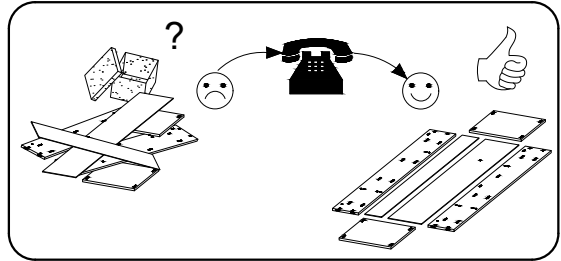
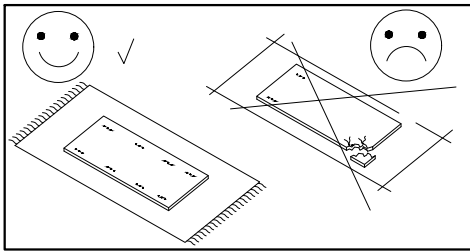
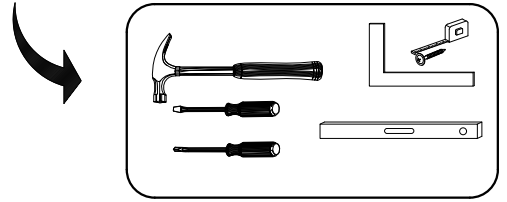


Czas montażu  
Montagezeit  
Time to assemble

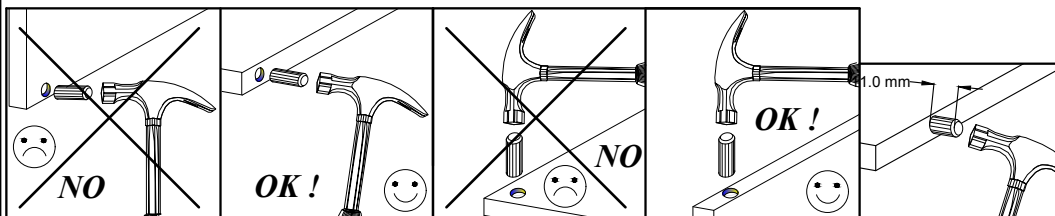


3 hours  
3 zeit  
3 godz.

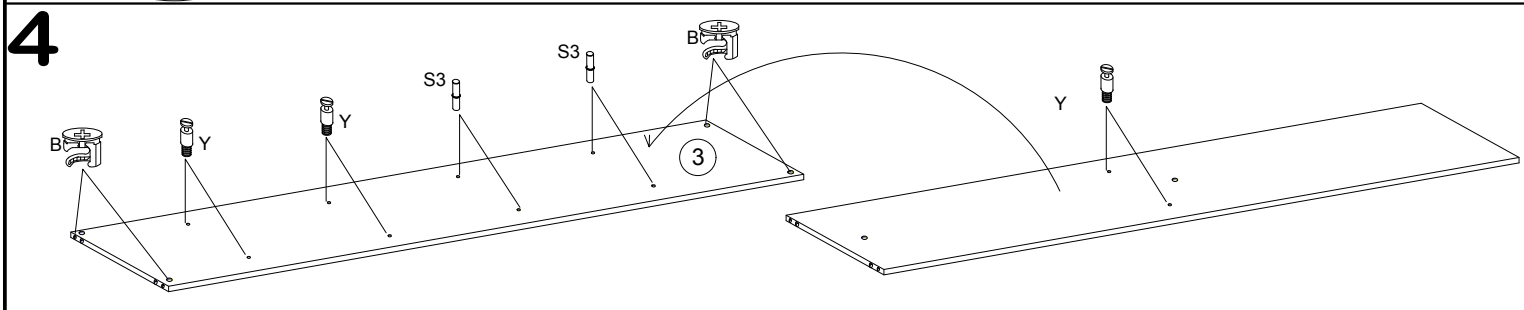
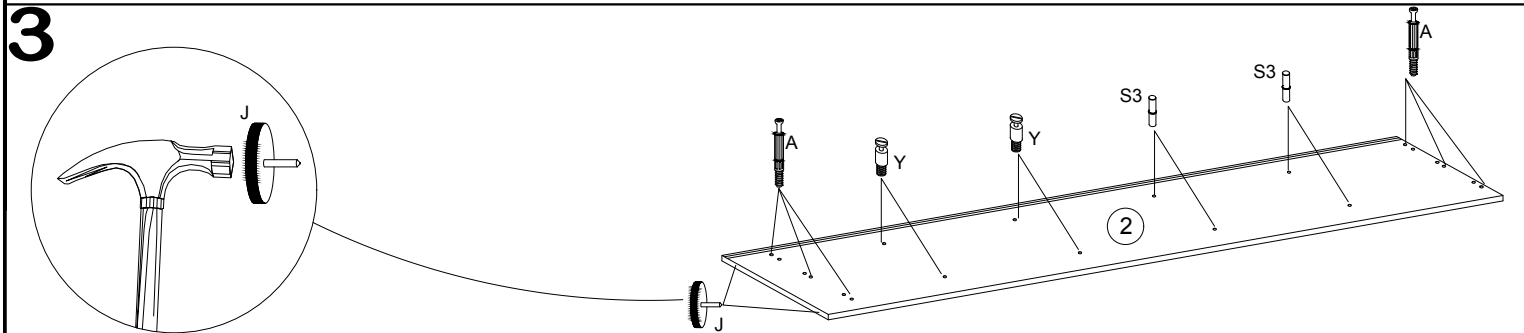
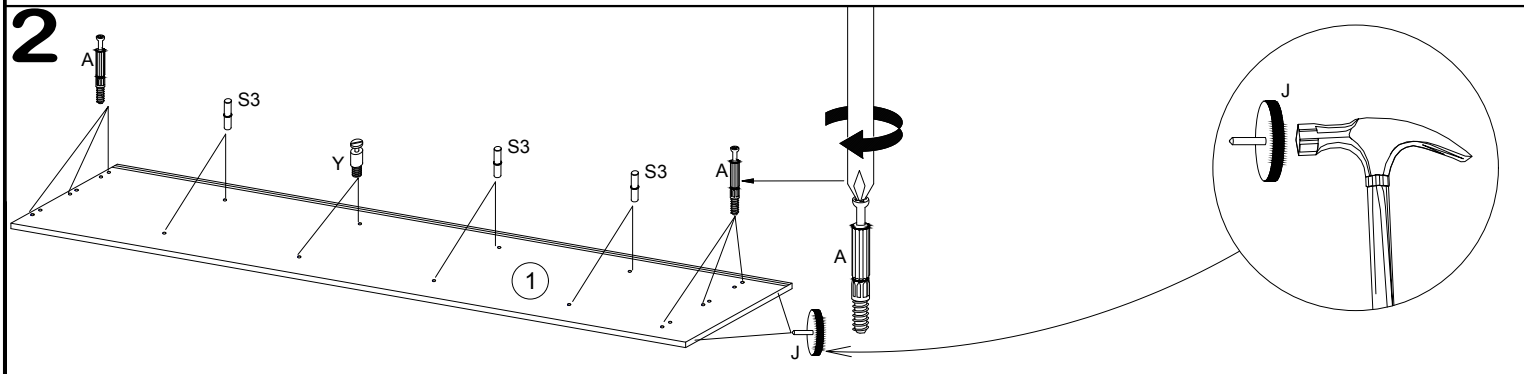
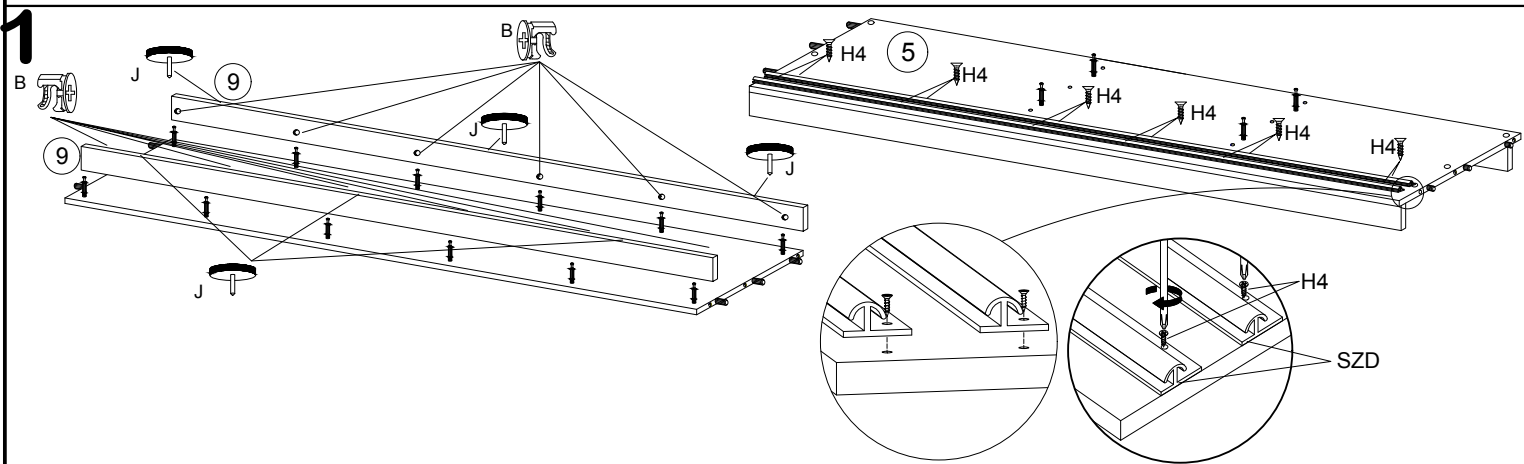
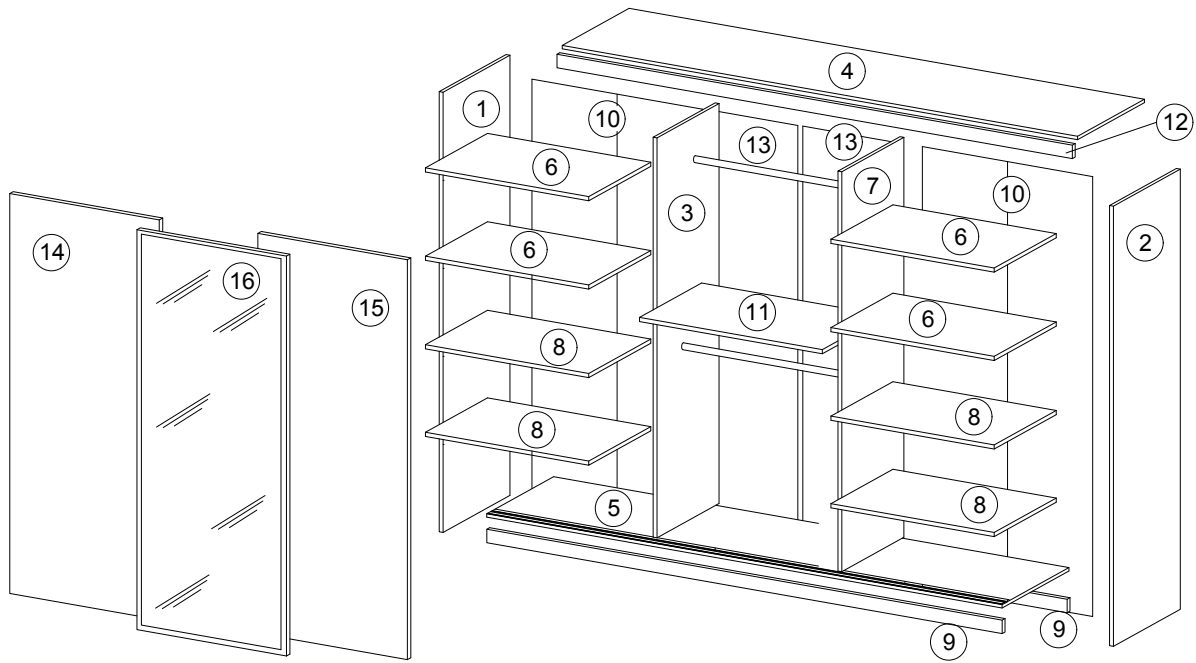
Tools required narzędzia wymagane Werkzeuge erforderlich

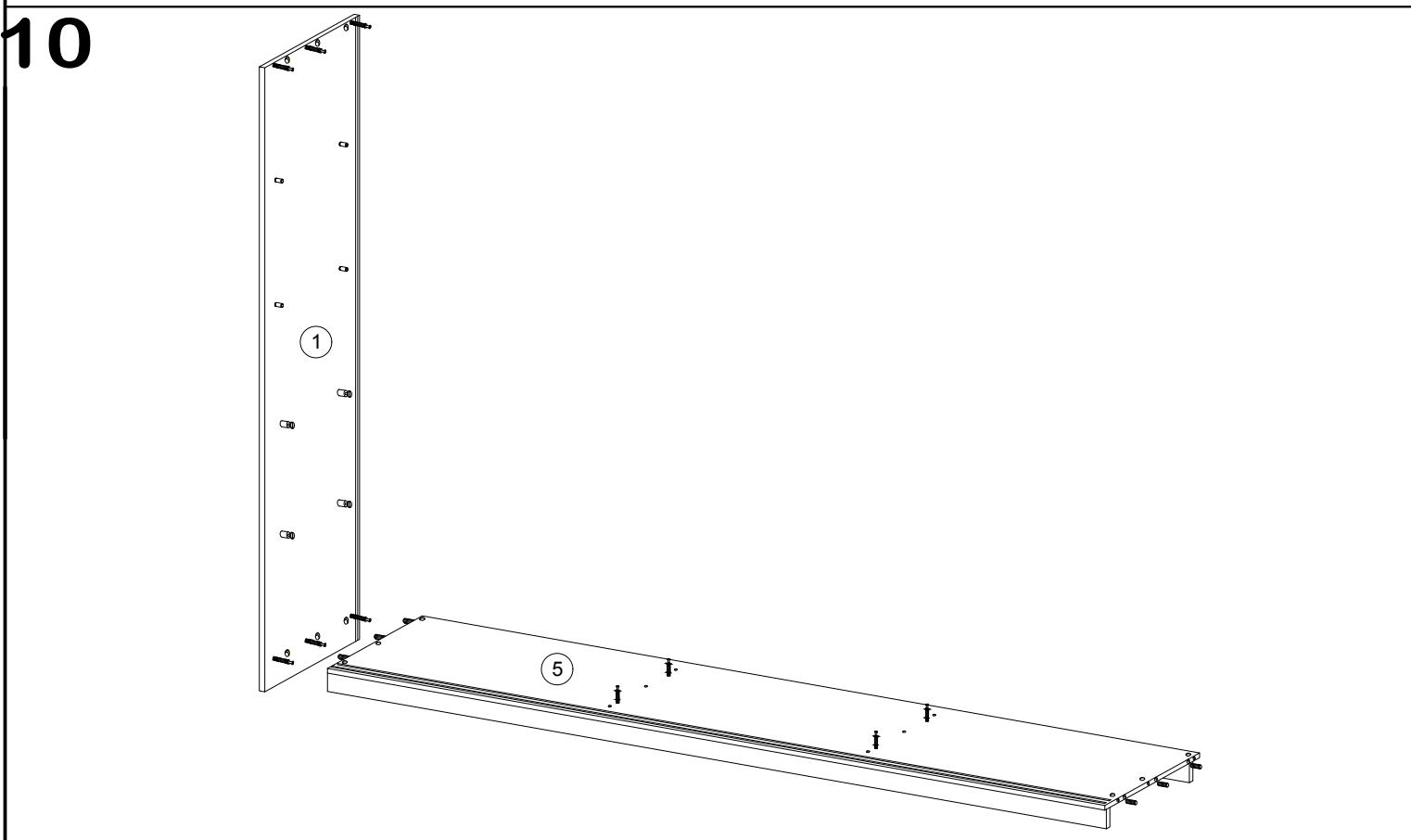
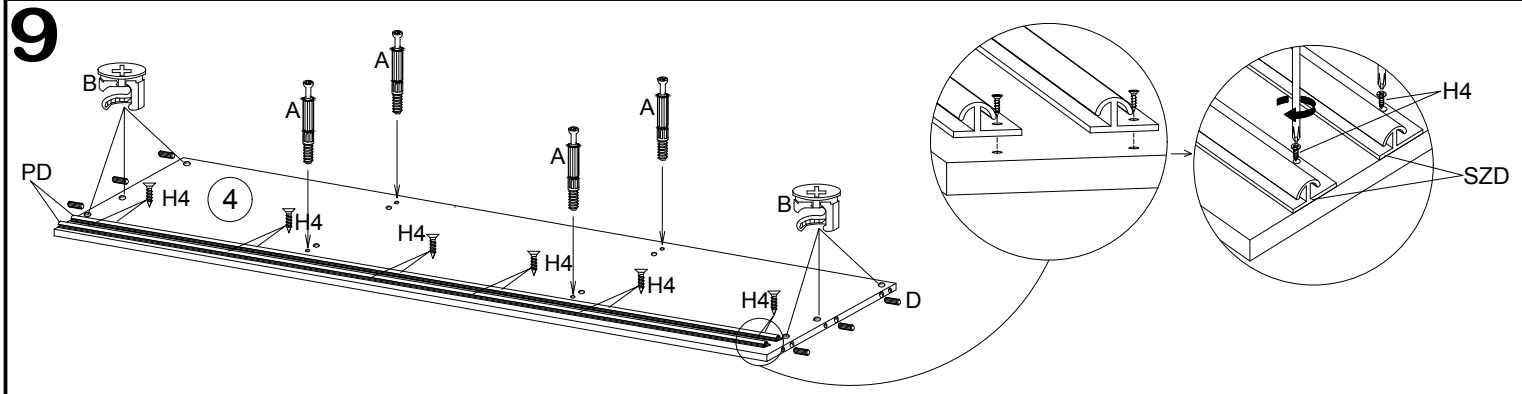
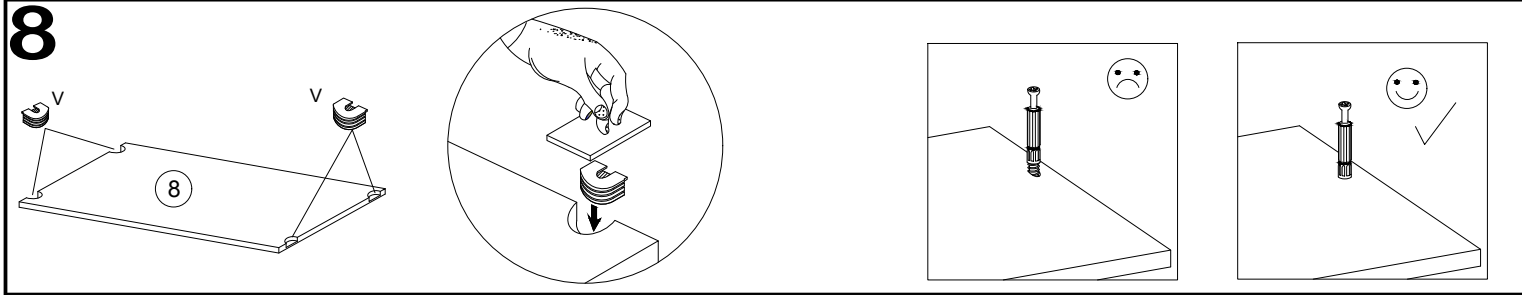
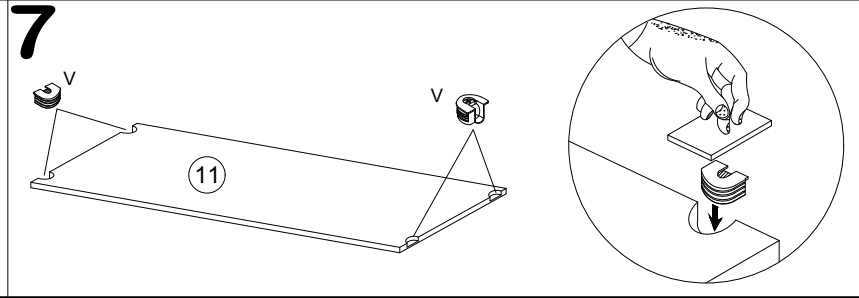
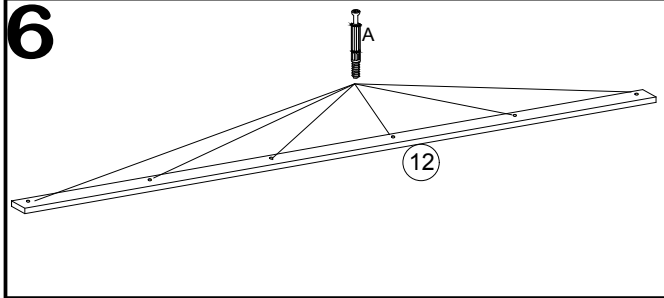
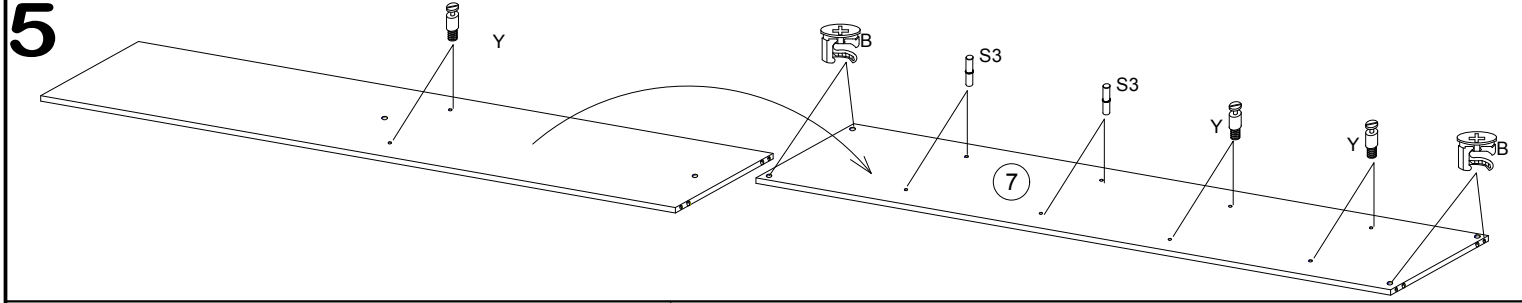


 8.0x35 D	 4.0x25 G	 Y	 A	 B	 3.5x16 H	 V	 N	 K2	 K1	 S3
20	4	20	38	38	28	20	4	6	6	16
 X	 F	 S	 S1	 I	 L-1090 V1	 L-1850 L	 6.3x13 Q	 J	 PD	 3.0x13 H4
30	2	38	95	30	2	3	12	10	2	24

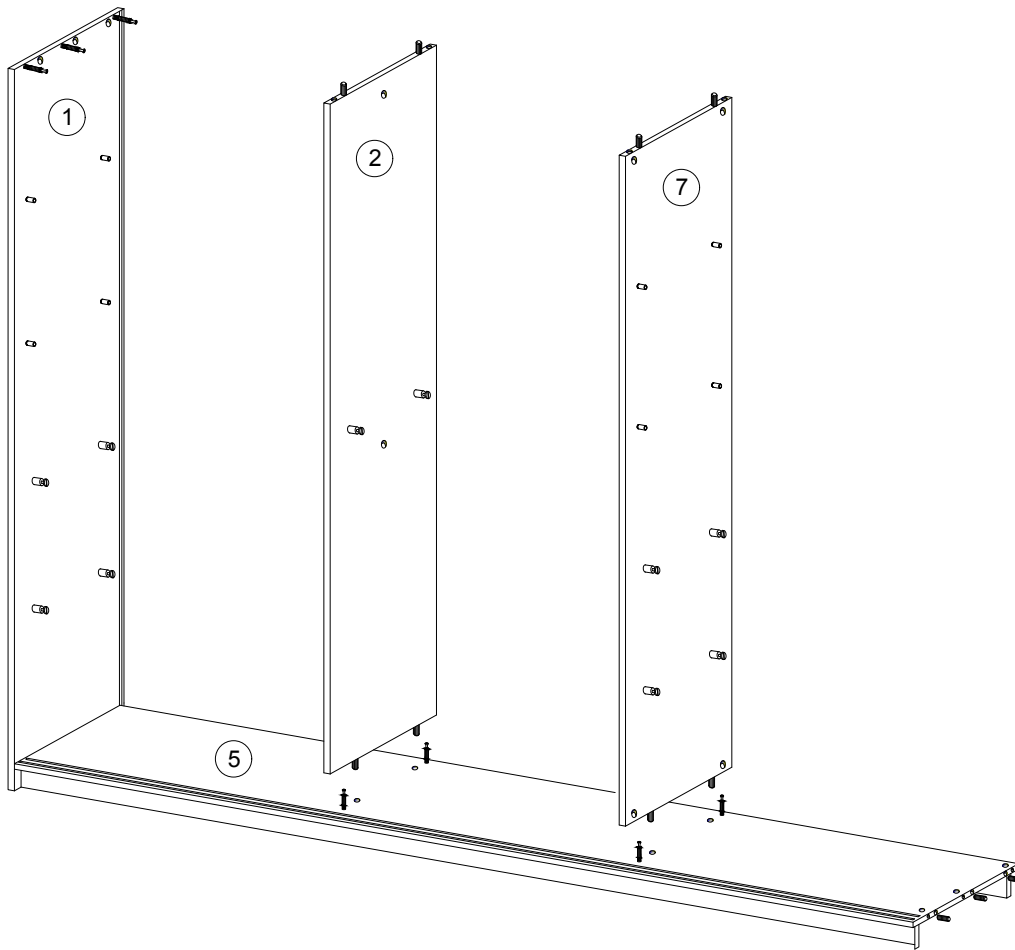


No.	Pcs.	L	W	D
1.	1	2000	620	16
2.	1	2000	620	16
3.	1	1888	480	16
4.	1	2468	582	16
5.	1	2468	600	16
6.	4	667	480	16
7.	1	1888	480	16
8.	4	667	480	16
9.	2	2468	80	16
10.	4	1918	341	3
11.	1	667	480	16
12.	1	2468	70	16
13.	2	1918	557	3
14.	1	1873	850	16
15.	1	1873	850	16
16.	1	1873	850	16

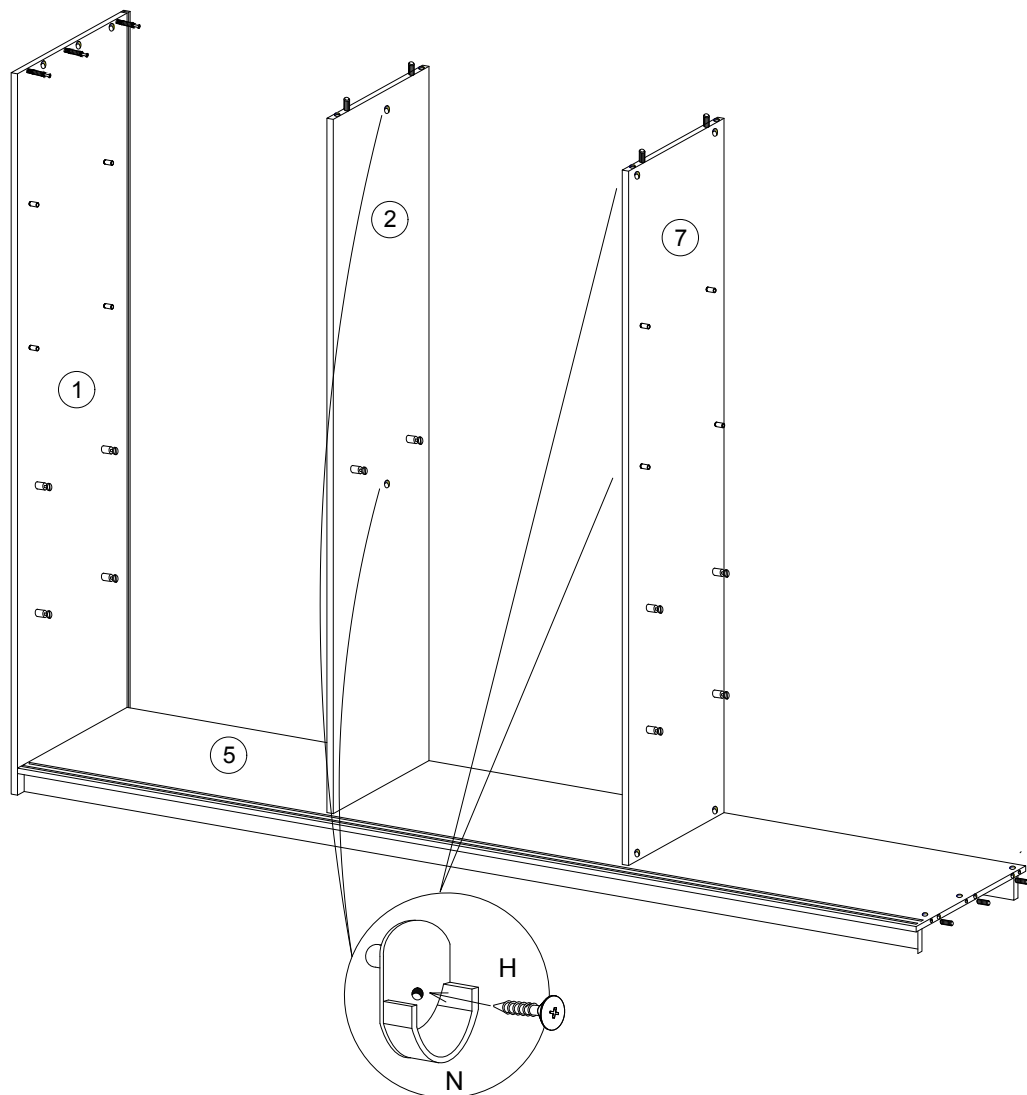




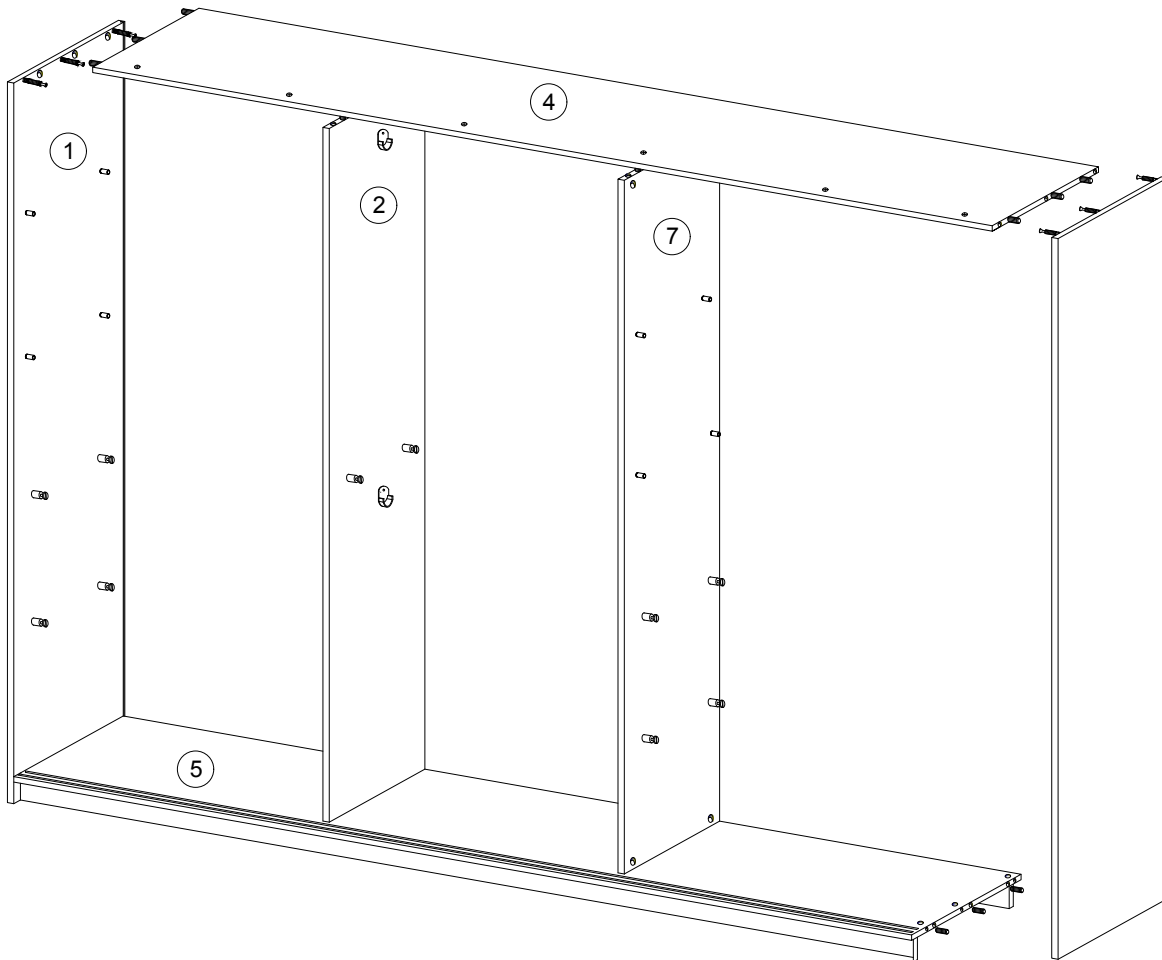
# 11



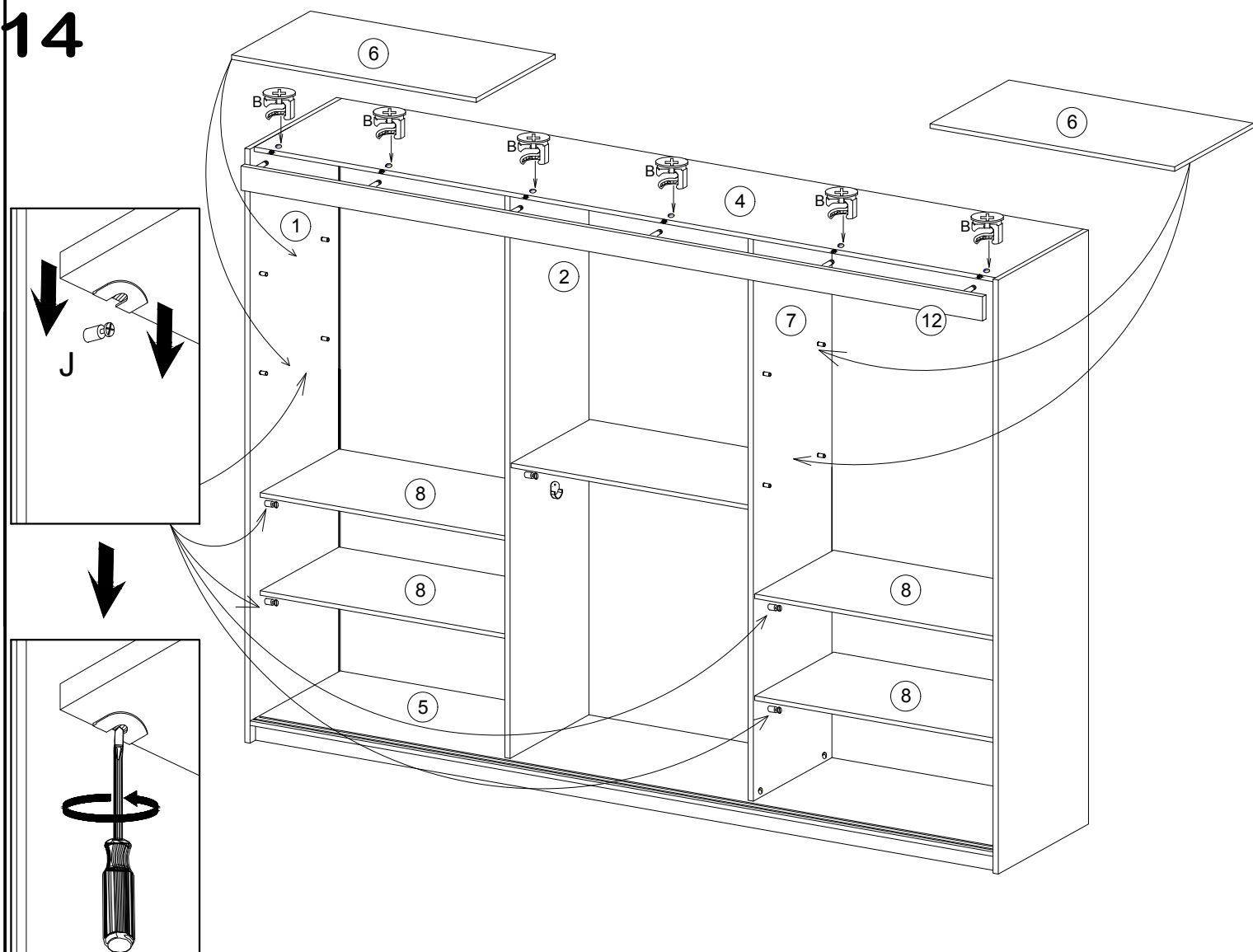
# 12



# 13

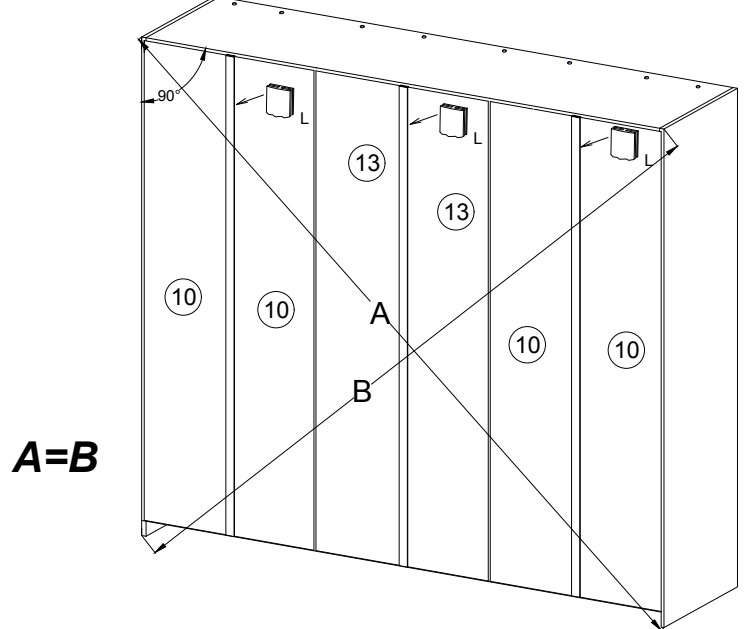


# 14

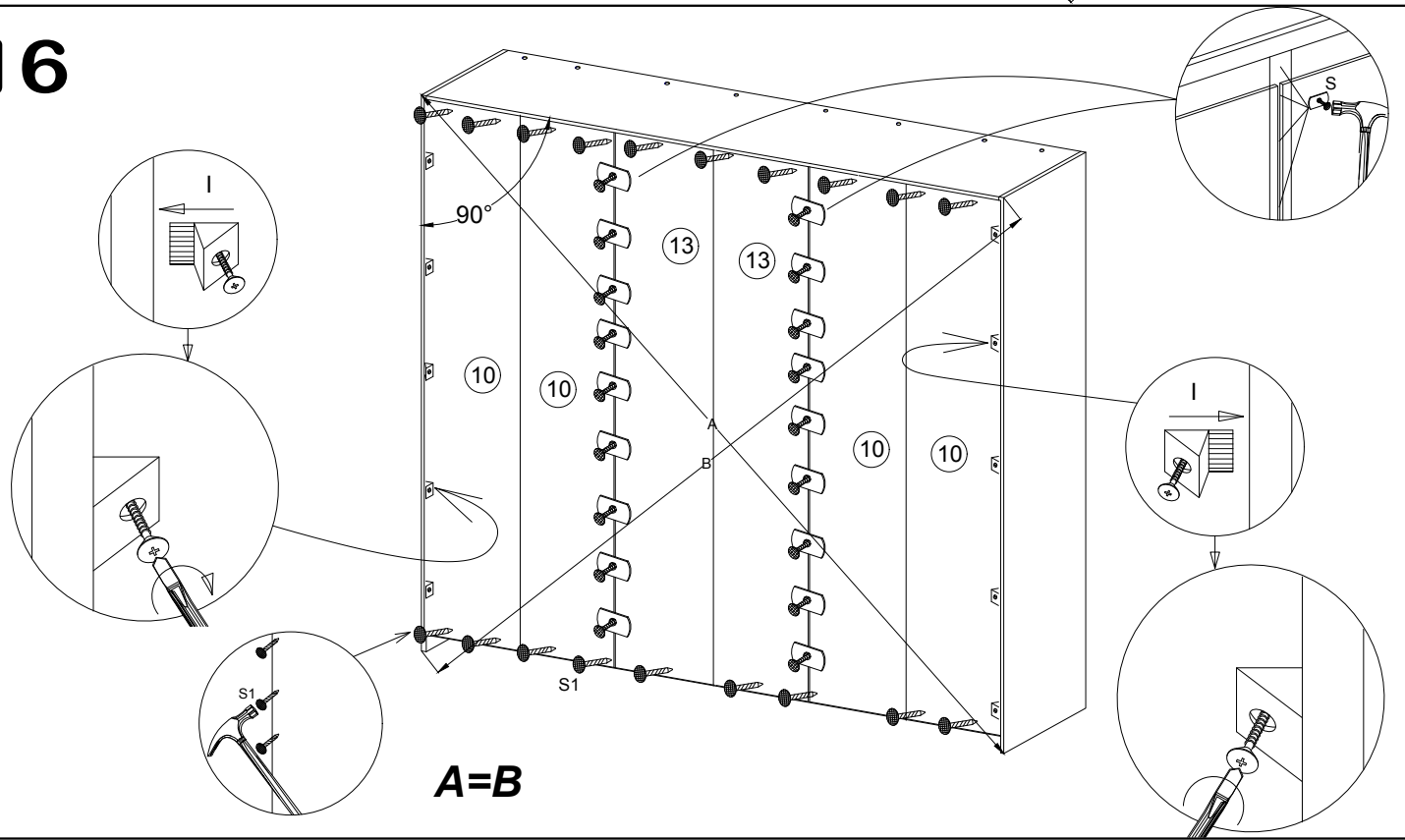




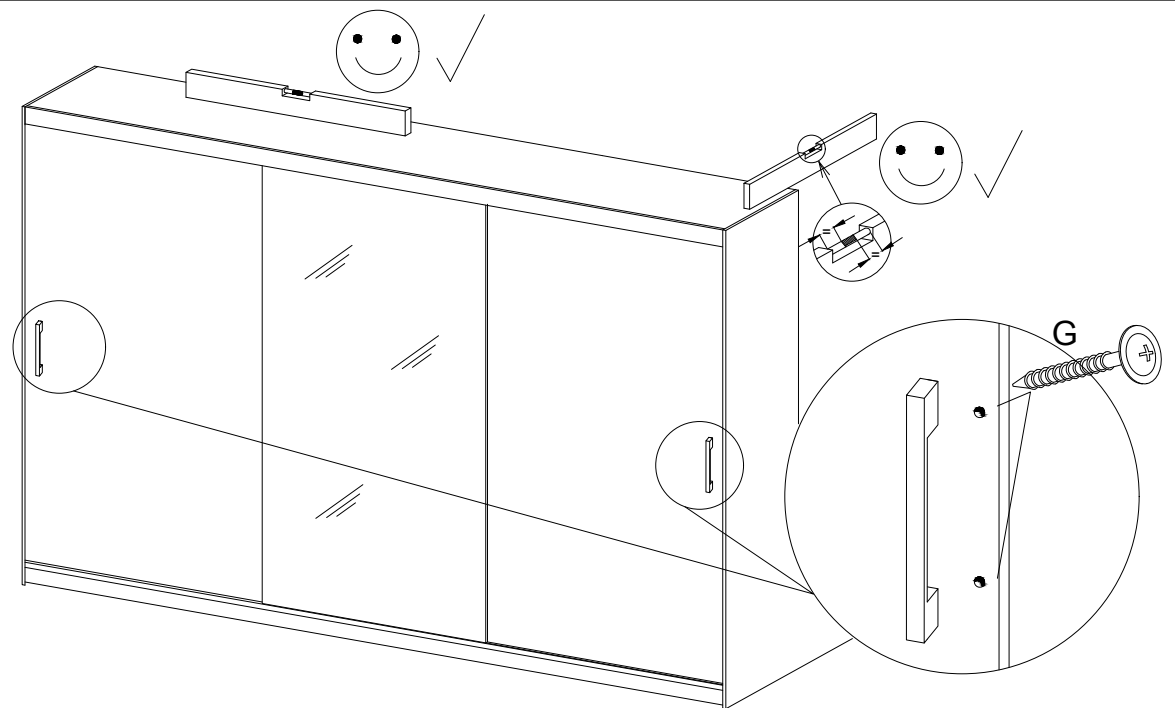
# 15



# 16



# 17



# 18

