

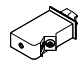
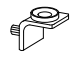
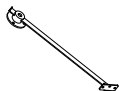

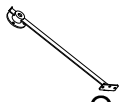


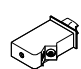
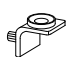

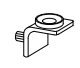









A	L
6	4



A
6

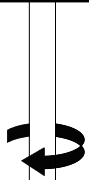
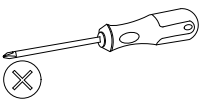
	8.0x30 		3.0x13 			4.0x30 
B	D	G	H	S2	Q	H1
8	8	2	6	4	2	4

	8.0x30 		4.0x30 	
B	D	G	H1	S2
4	4	1	2	4

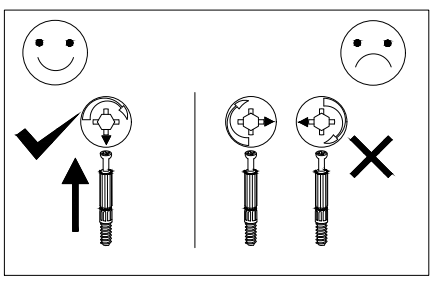
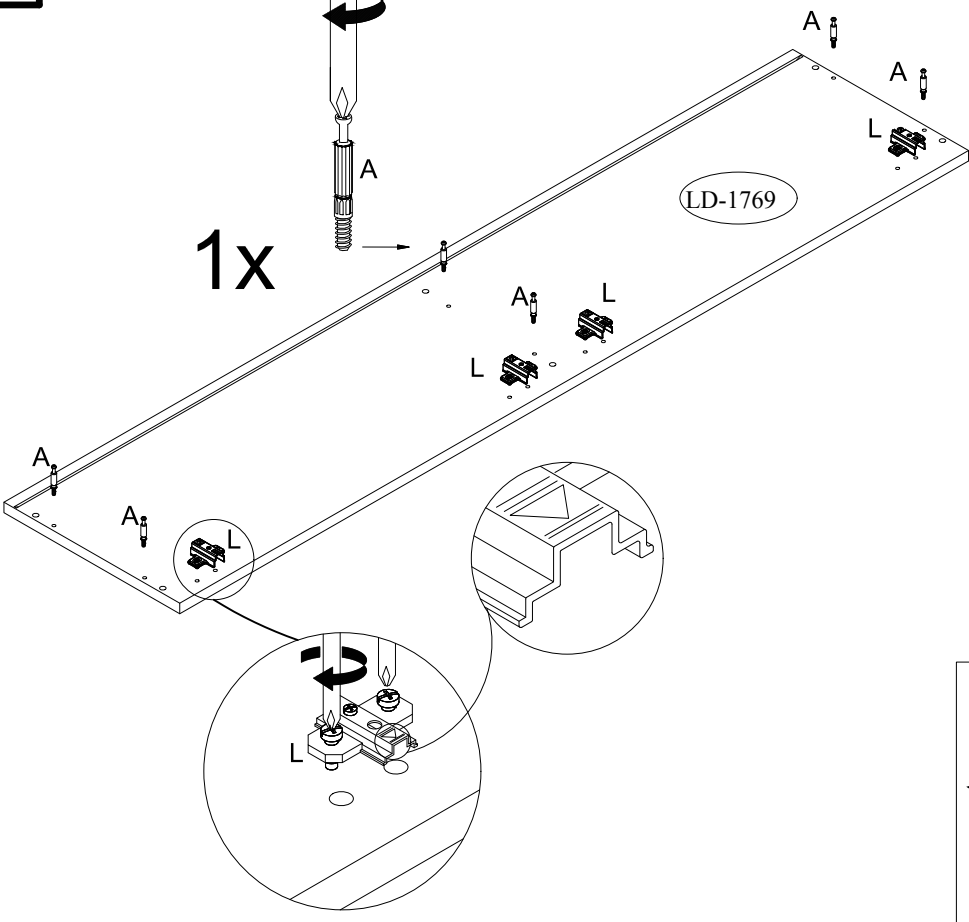
V-VII-IX-X-XIII

6.3X13 				3.0x13 			4.0x25 
F	Z	X	I	H	S4	M	G
8	4	12	12	8	2	6	12

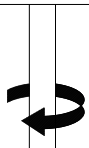
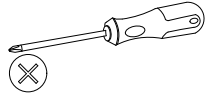
∅-10.0 
KR
1



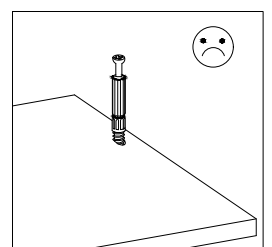
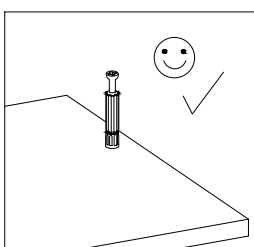
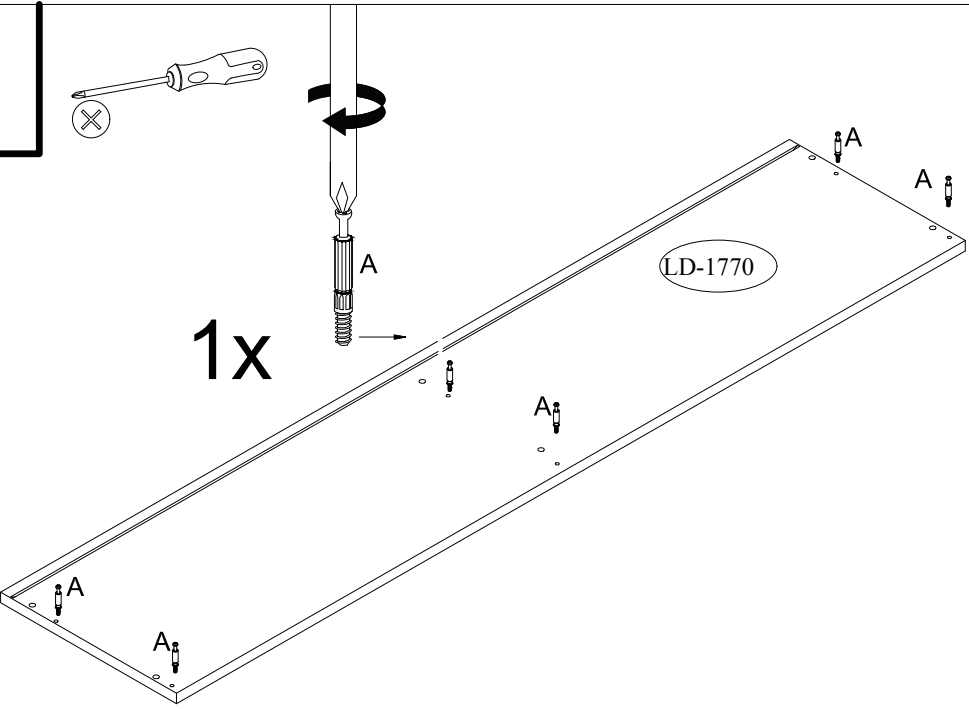
L	A
4	6

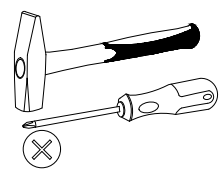


||



A
6

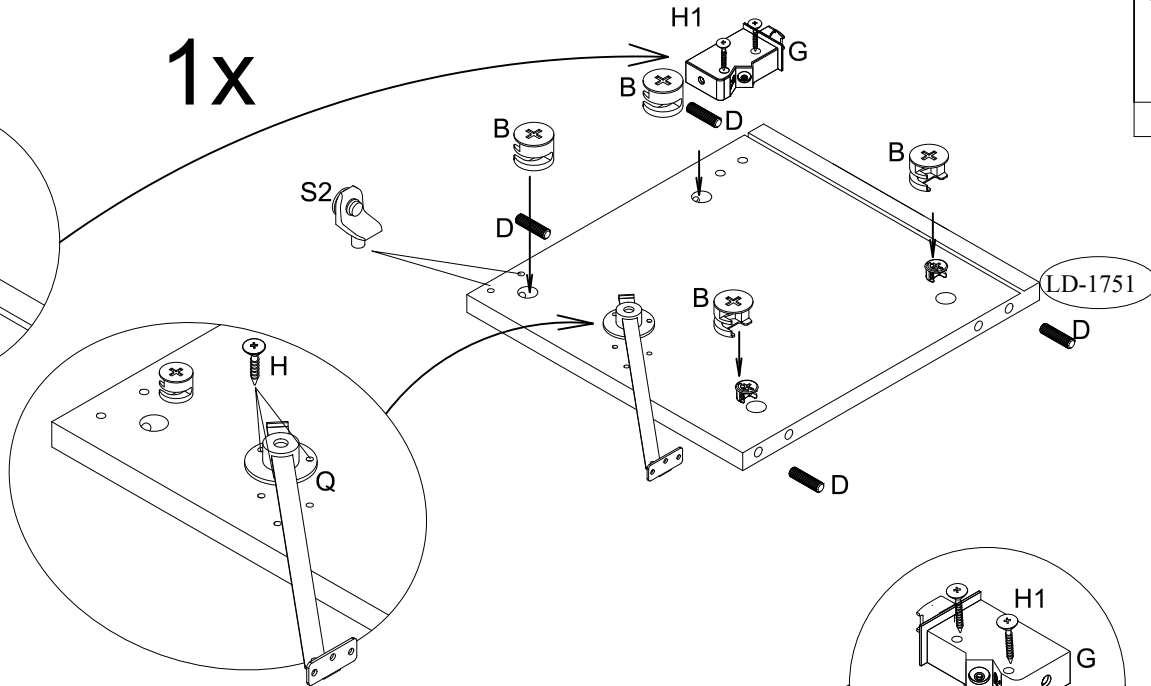
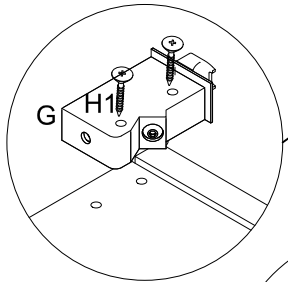




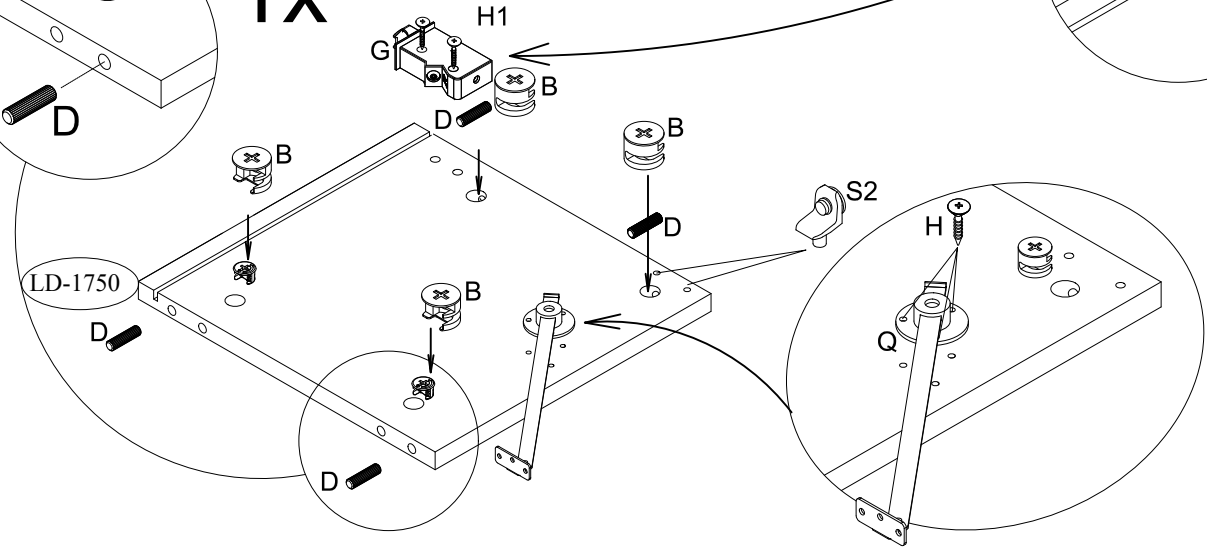
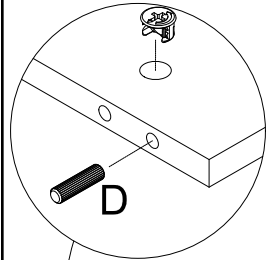
	3.0x13 		4.0x30 	8.0x30 	
S2	H	G	H1	D	B
4	6	2	4	8	8

Q
2

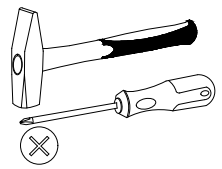
1x



1x

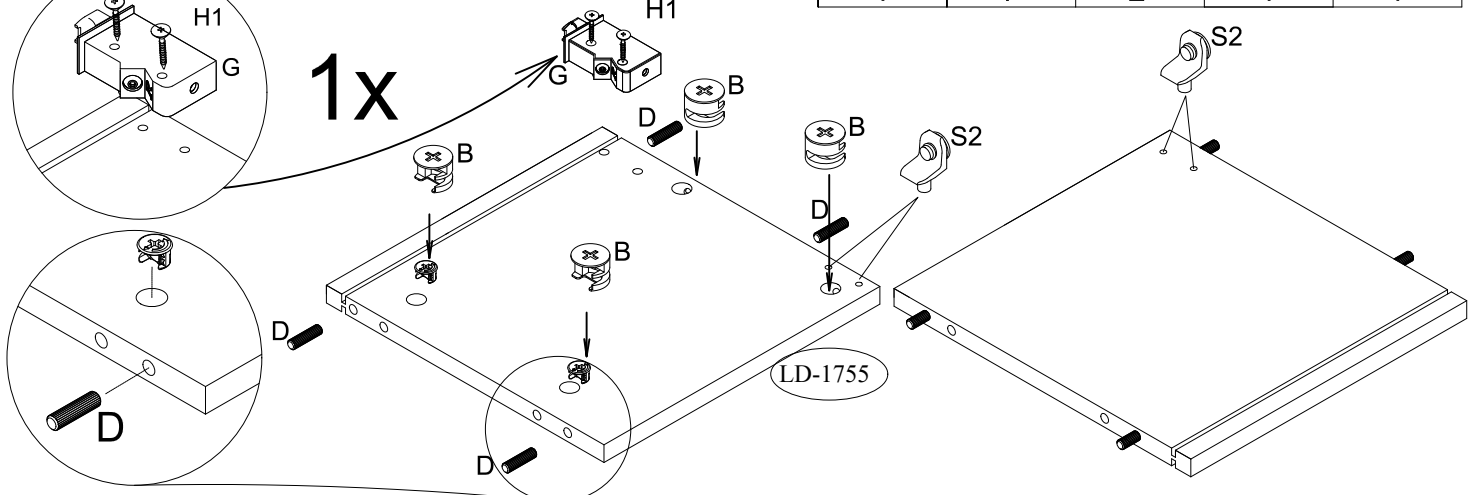
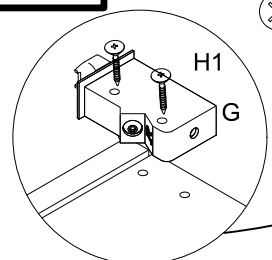


IV



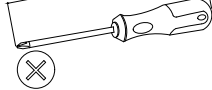
		4.0x30 	8.0x30 	
S2	G	H1	D	B
4	1	2	4	4

1x



V

MAX.150 mm

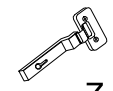


6.3X13



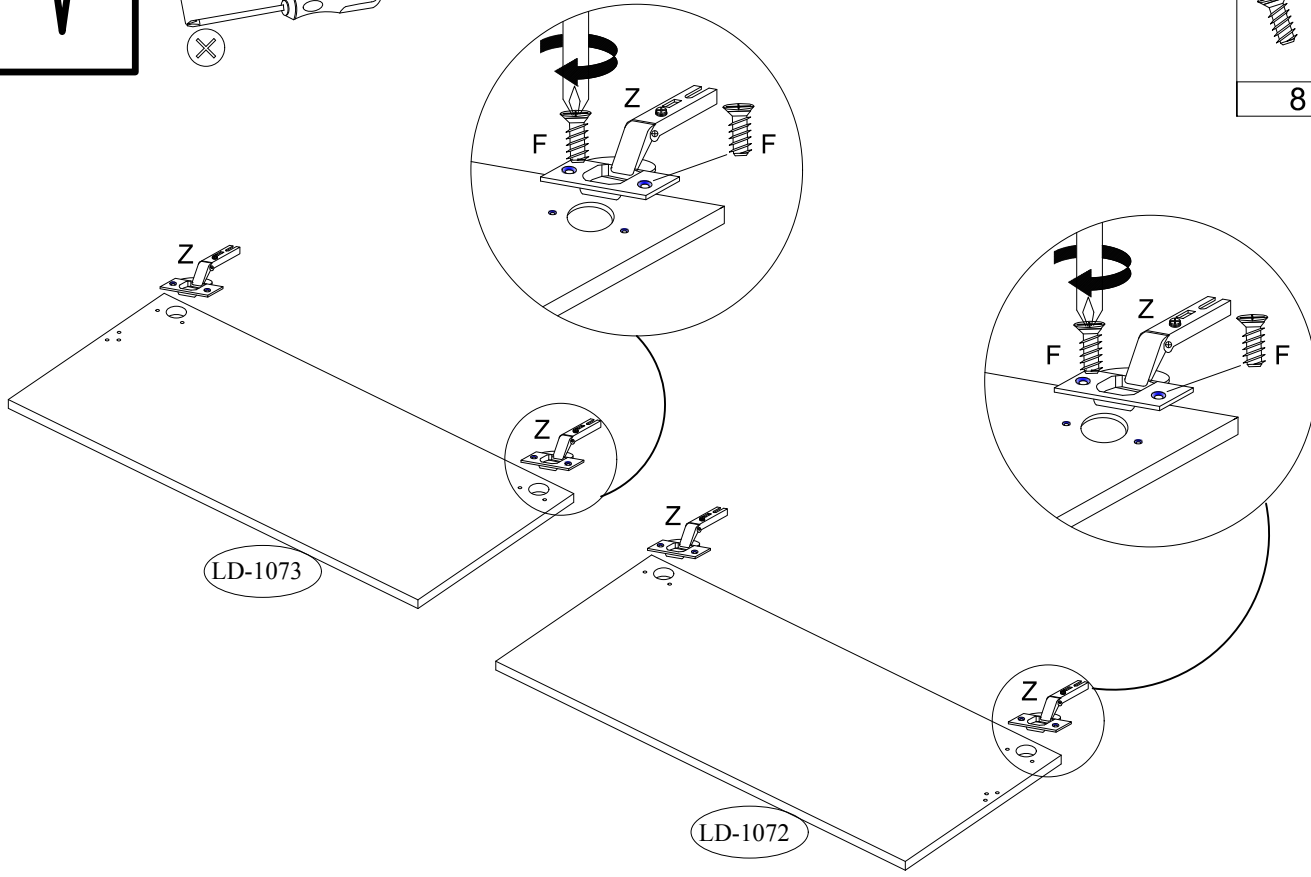
F

8



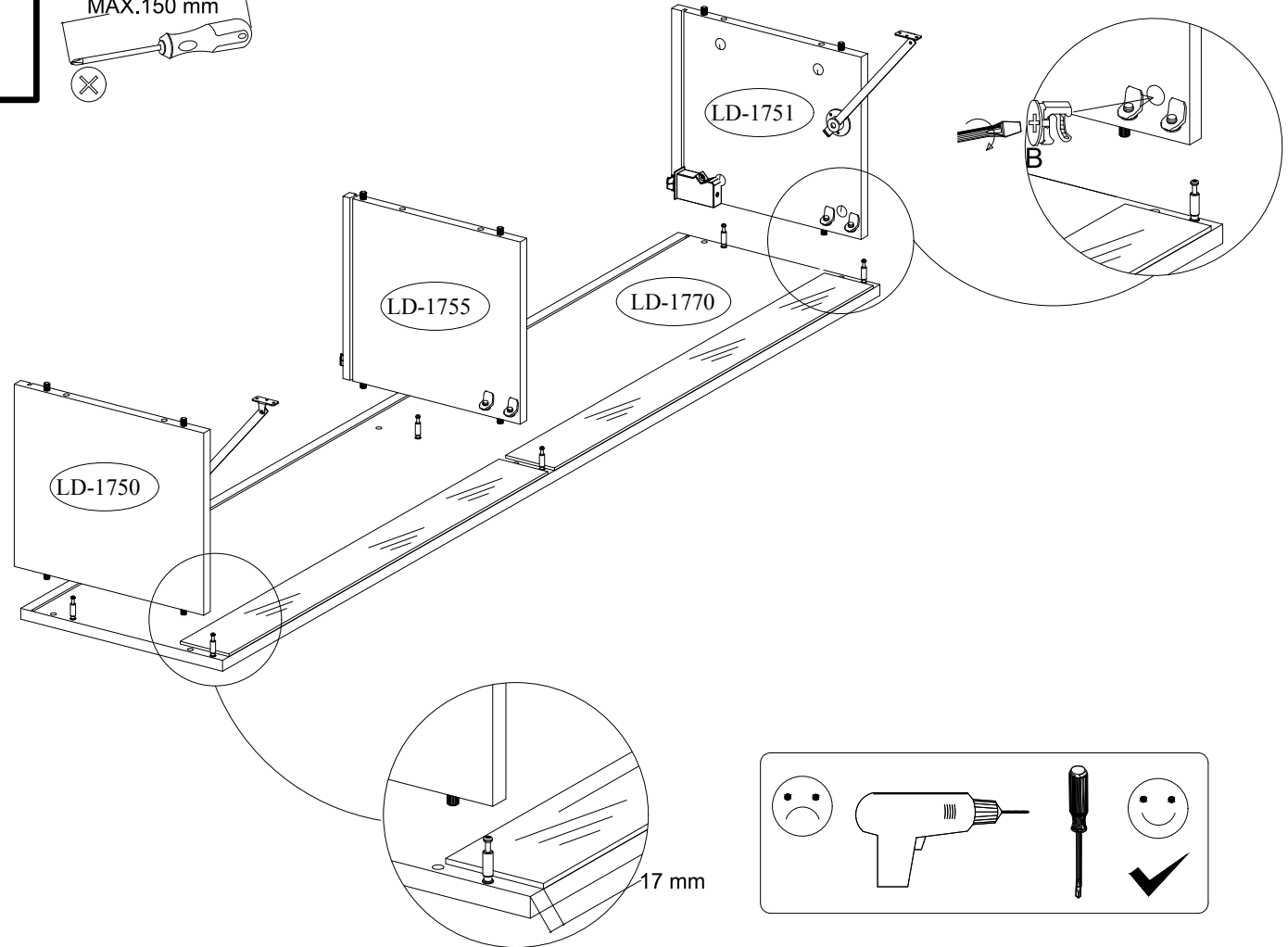
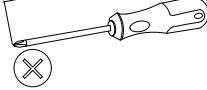
Z

4

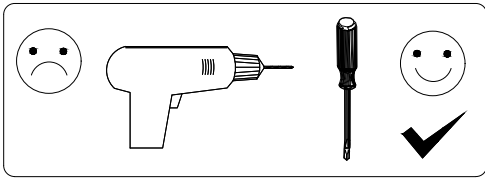


VI

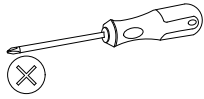
MAX.150 mm


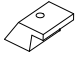


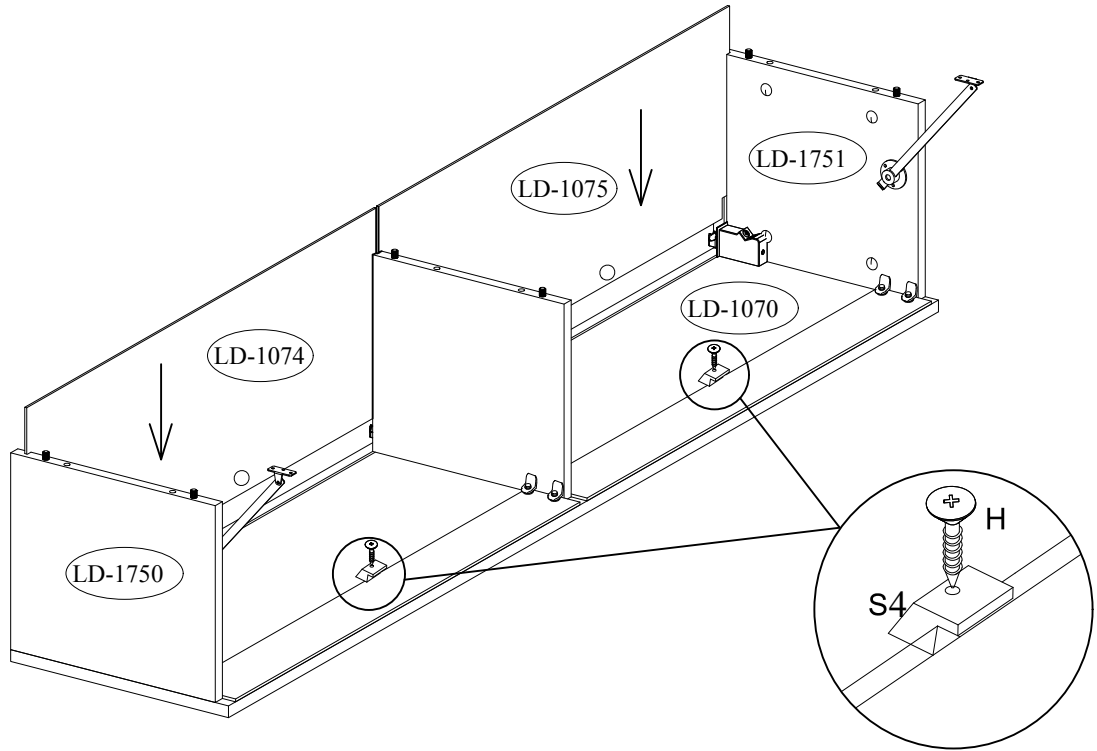
17 mm



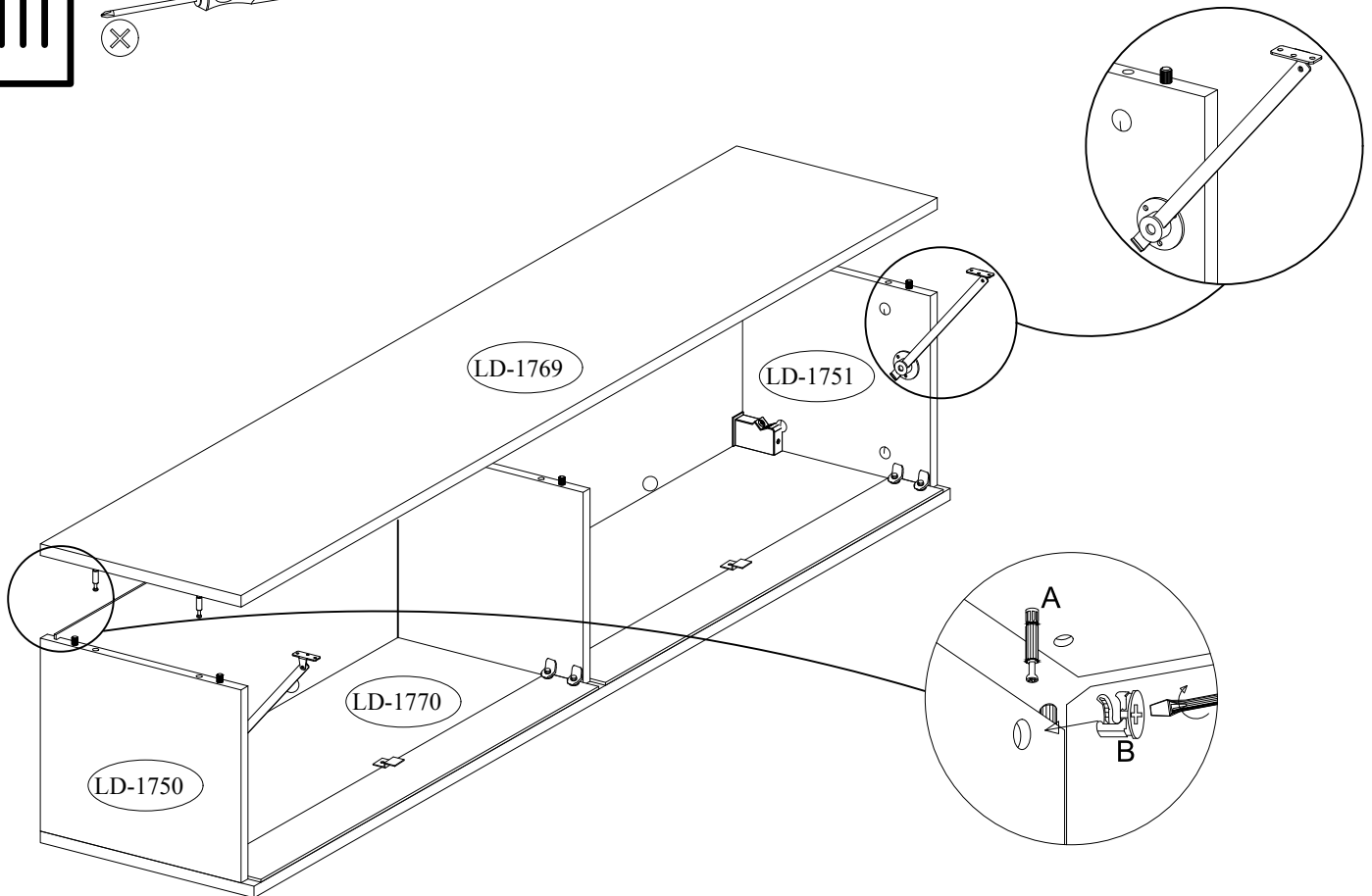
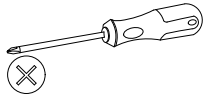
VII



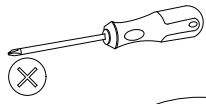
3.0x13  H	 S4
2	2

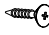



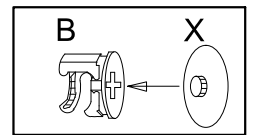
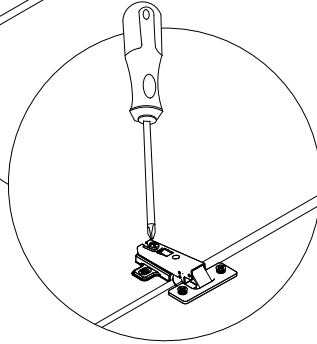
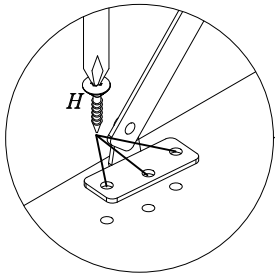
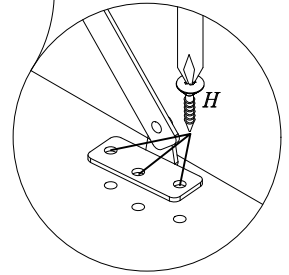
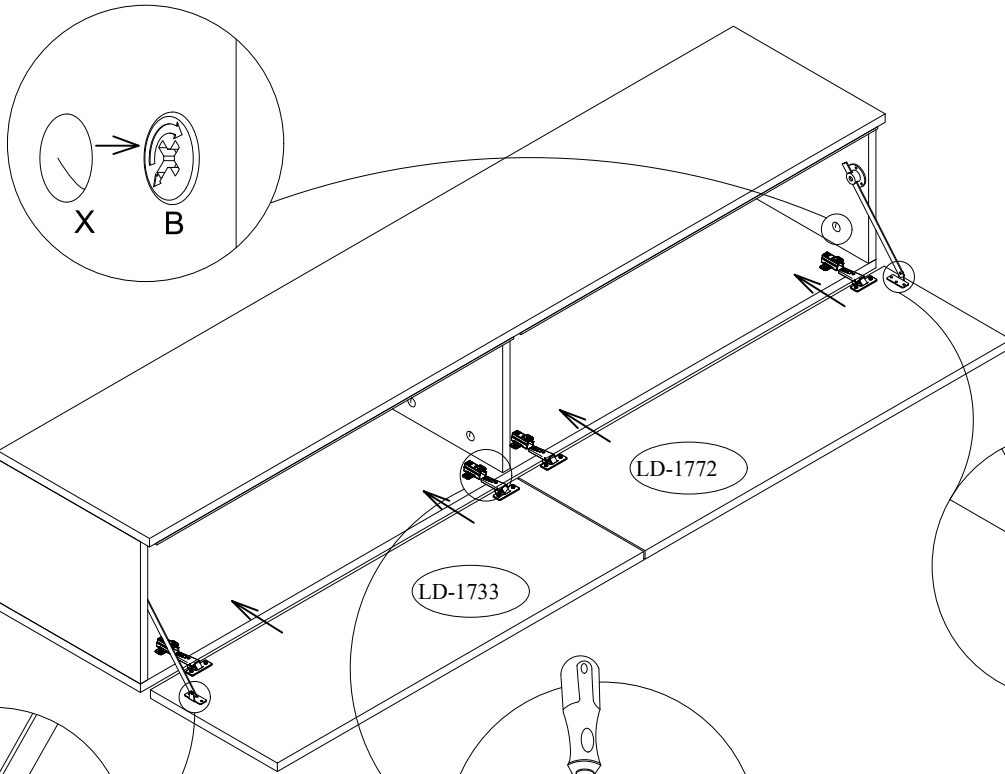
VIII



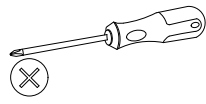
IX

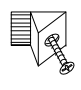


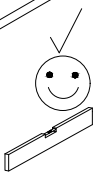
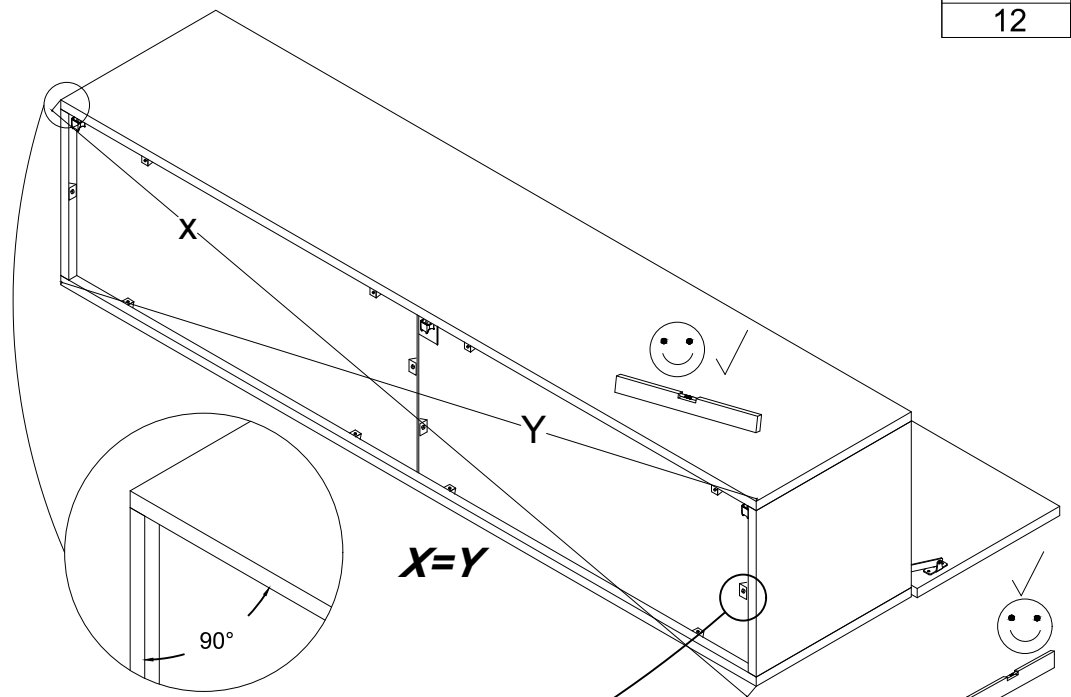
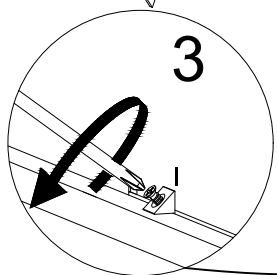
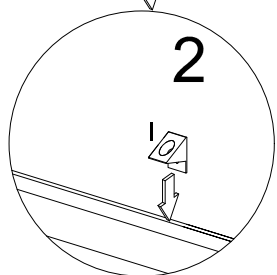
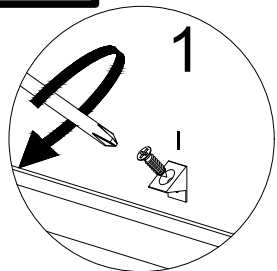
3.0x13  H	 X
6	12



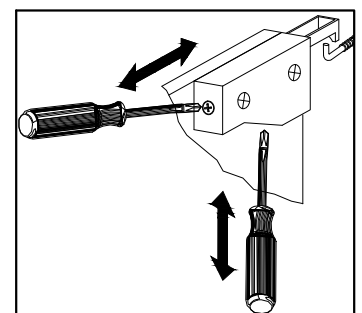
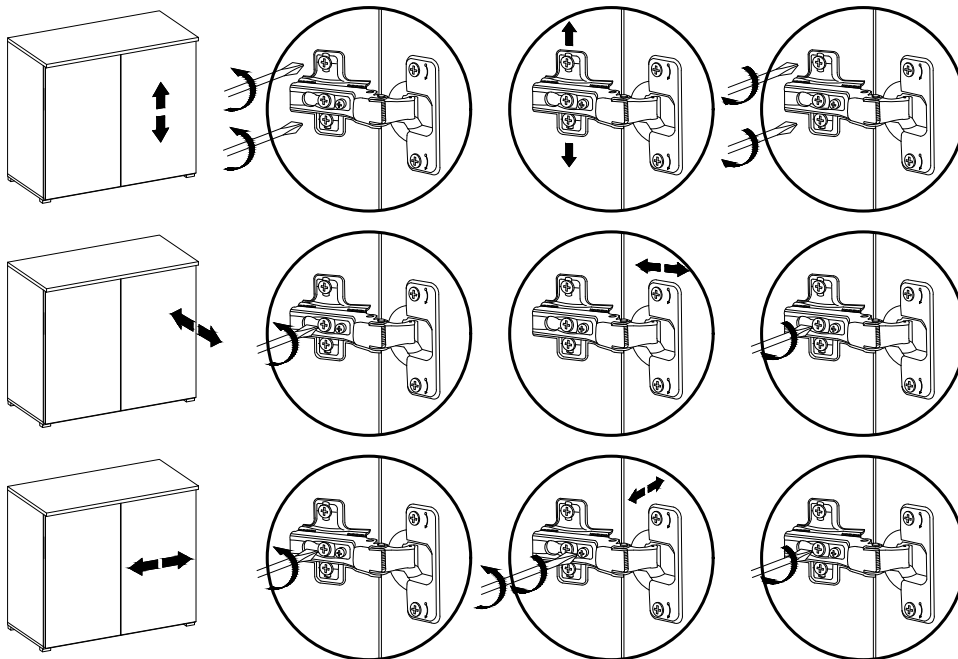
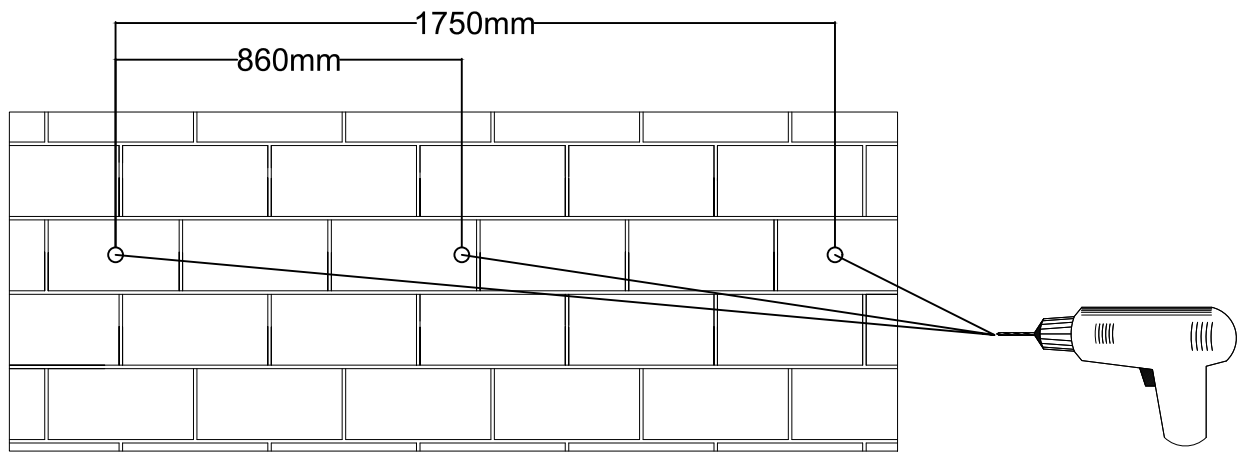
X

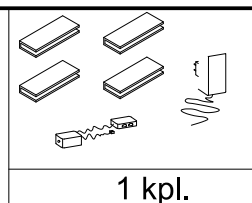
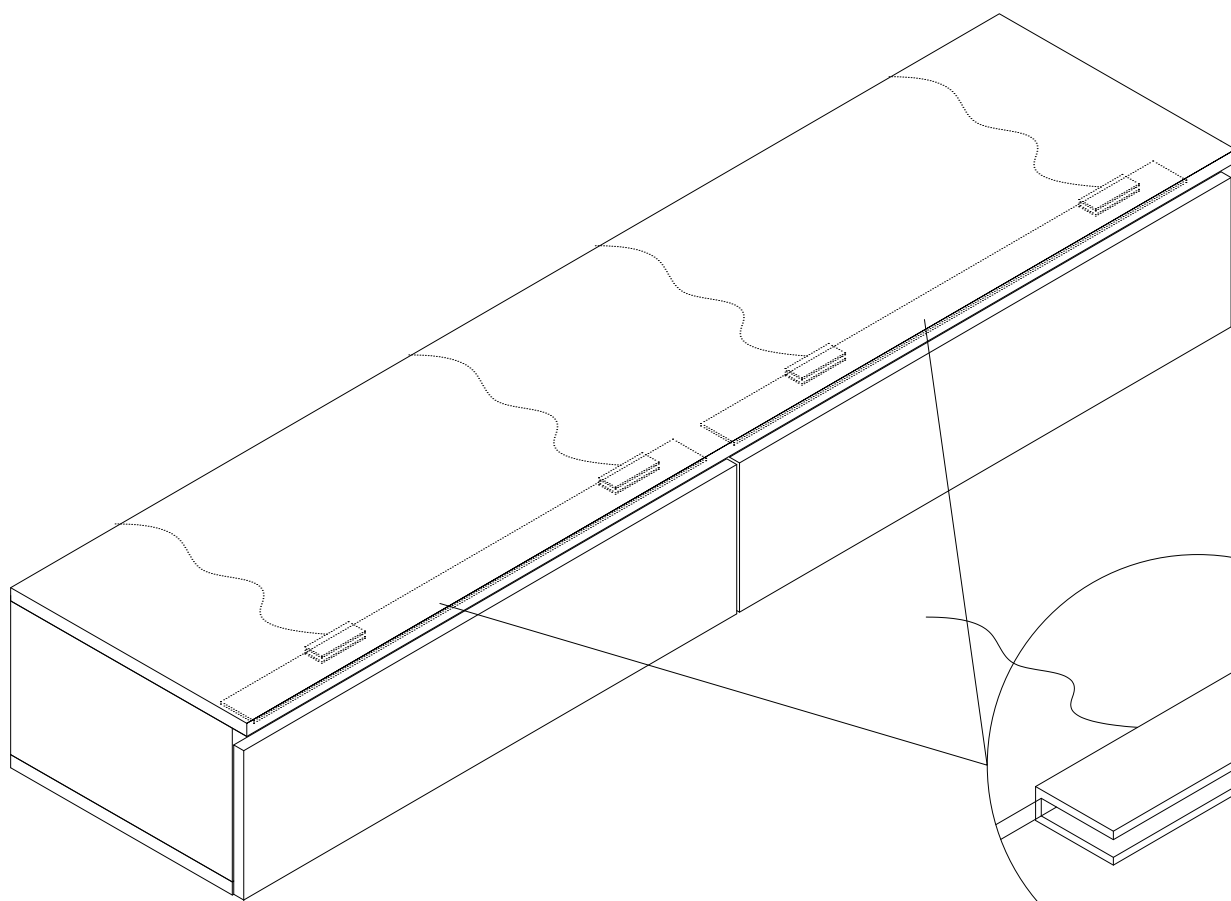


 I
12



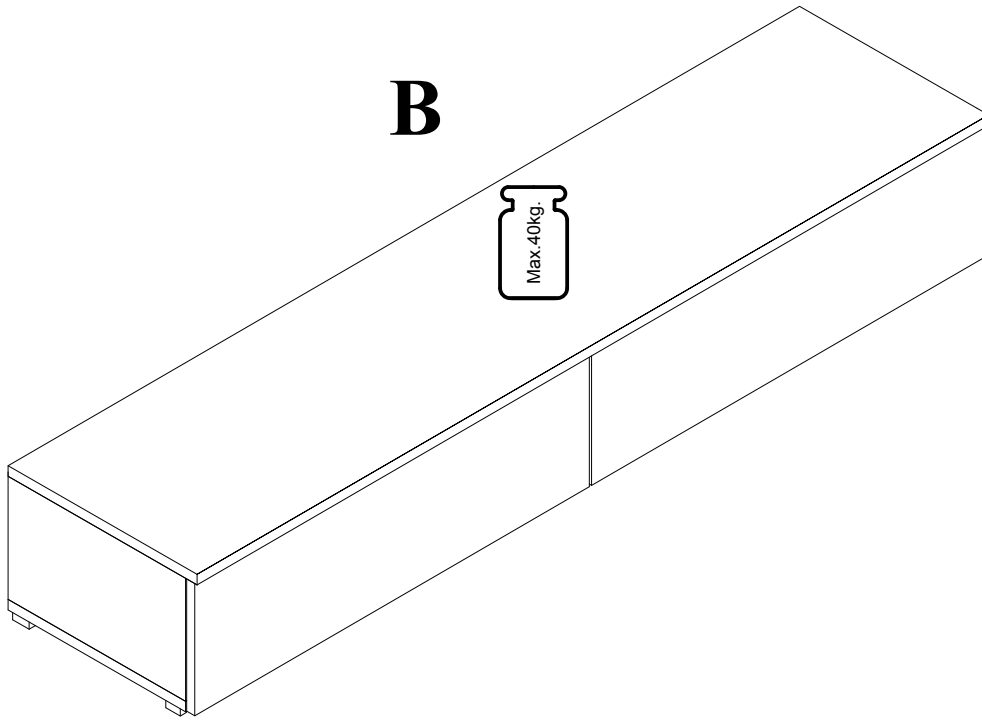
XI



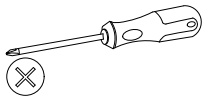




XII

B



XIII



 M	4.0x25  G
6	12

