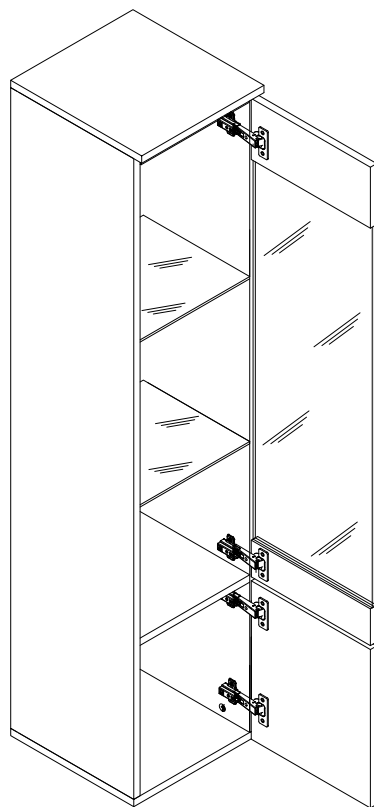
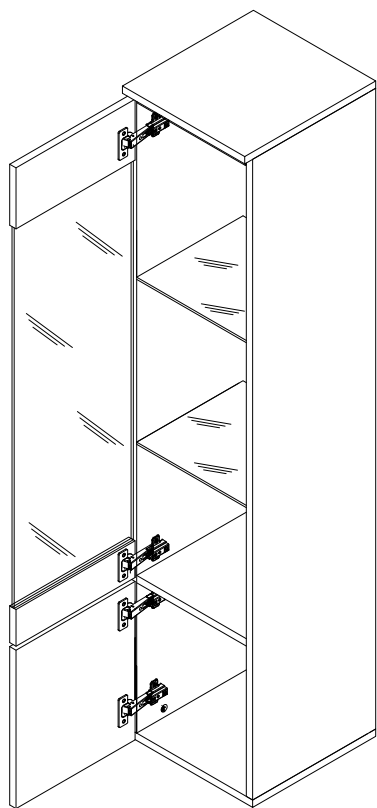
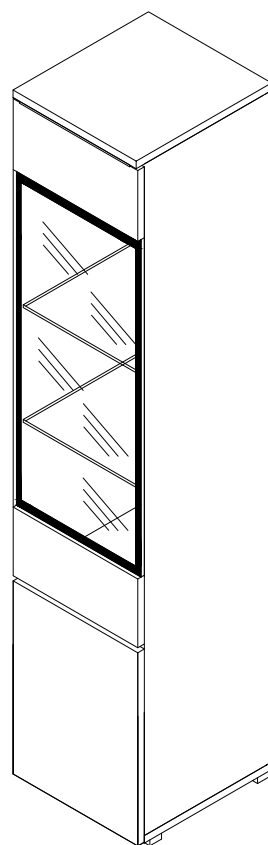
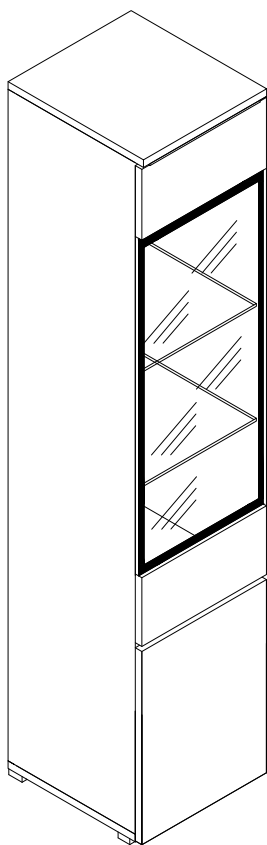
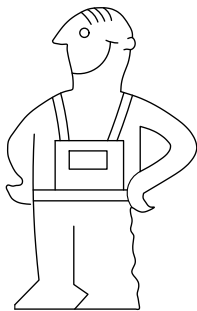
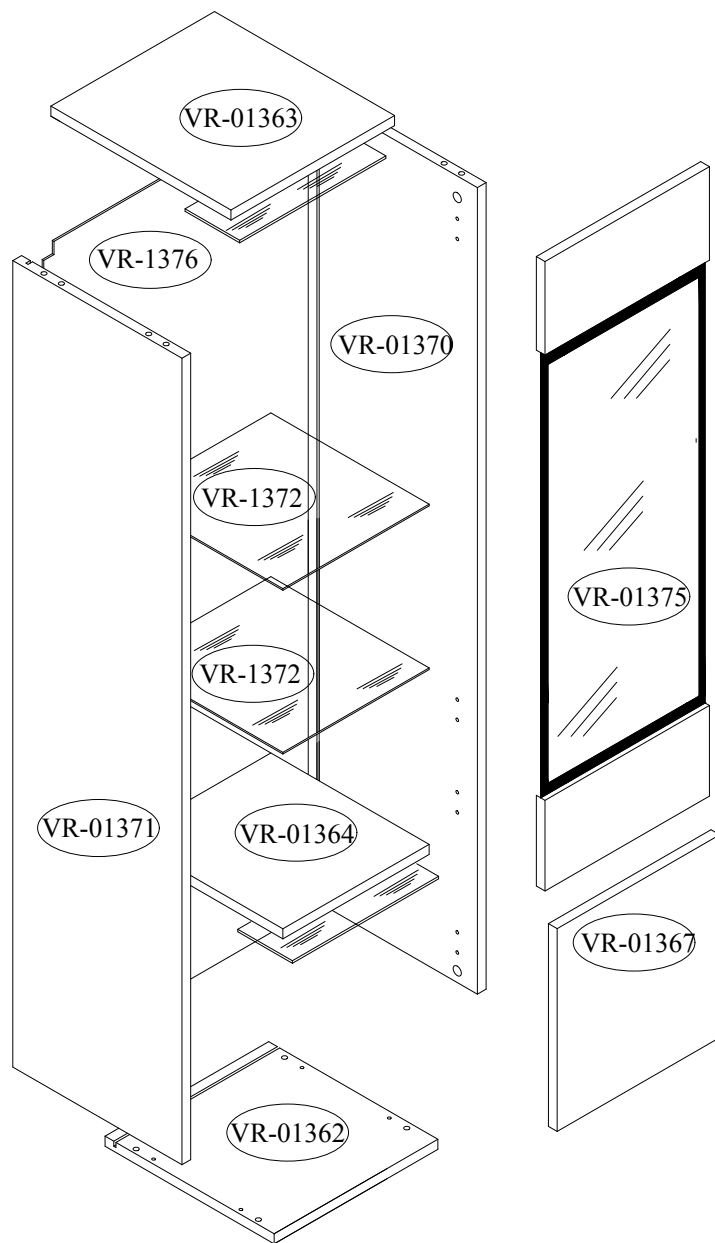
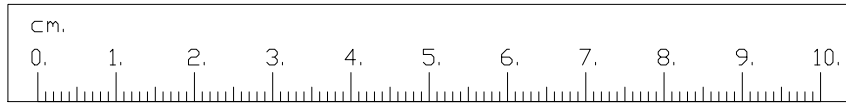
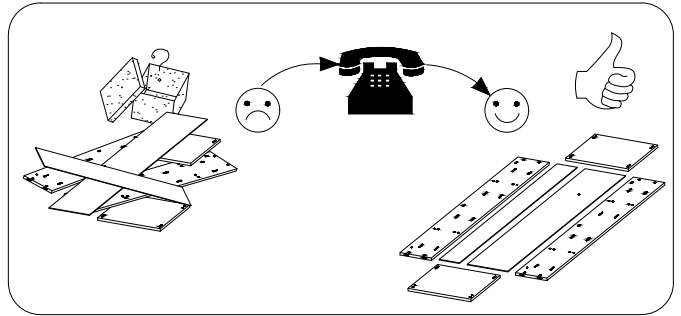
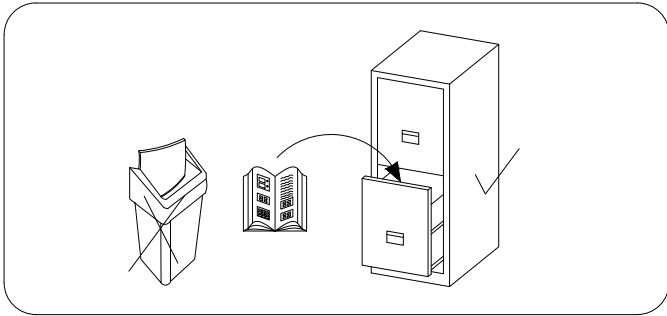




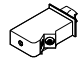

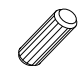

?


L



R


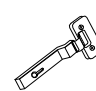




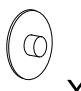
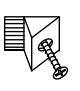







 A	 S3	 G	4.0x30  H1	8.0x30  D	 B
4	16	2	4	8	8

 A
8


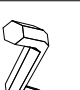


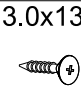


 B	8.0x30  D
4	4

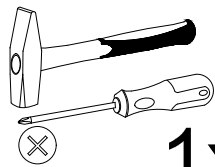
6.3X13  F	 Z
8	4

VII - VIII - X - XI

 X	 I	3.0x13  H	 S4	 M	4.0x25  G	 L	 MS	Ø-10.0  KR
8	8	2	2	4	8	4	1	1

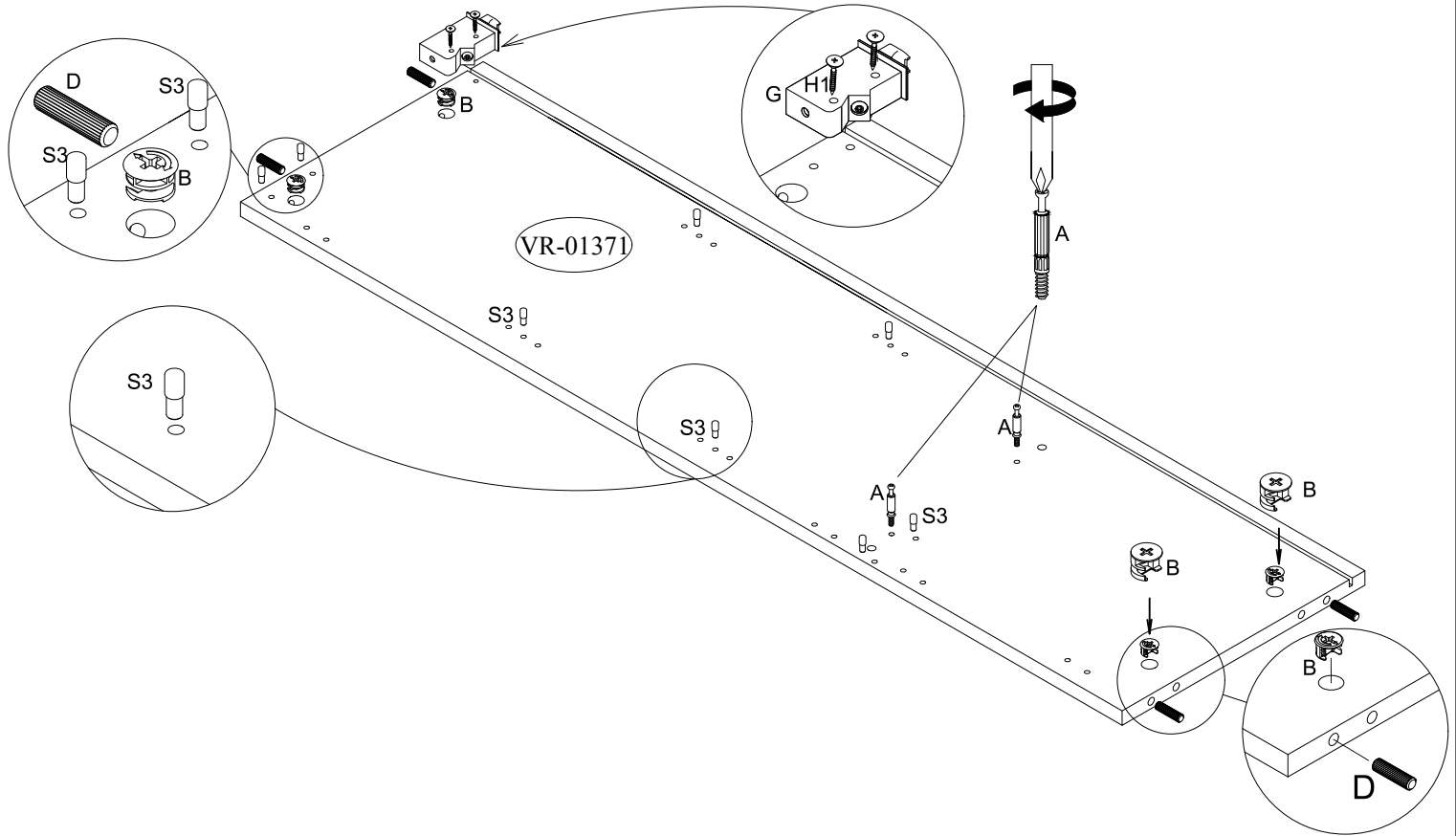
XII - XV

 O	 Q	 Y1	8.0x30  D	3.0x13  H1	 BP	Ø-10.0  KR
5	1	2	4	4	2	1

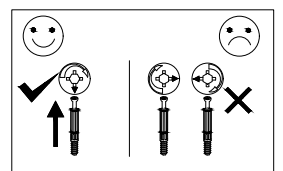
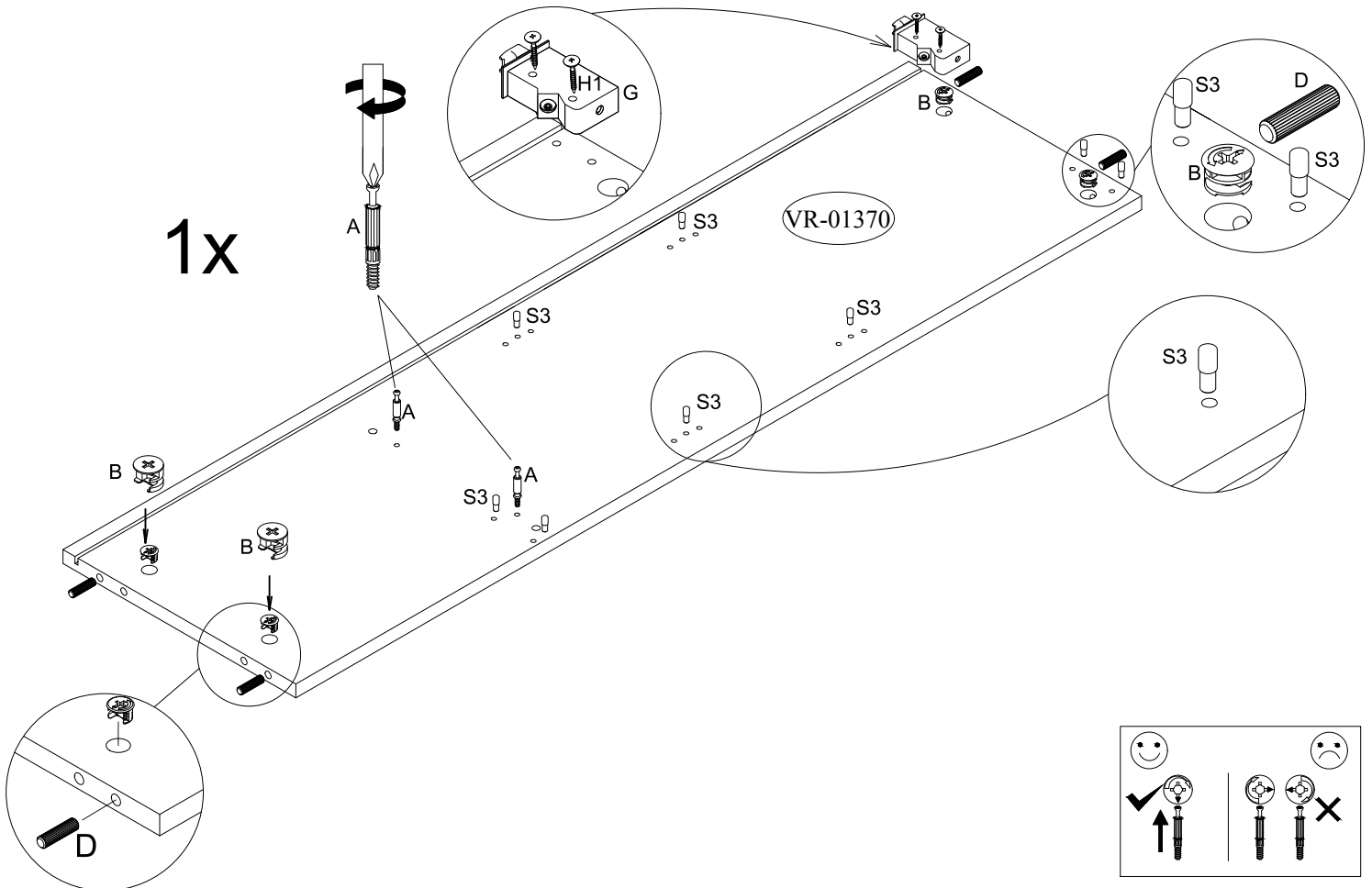


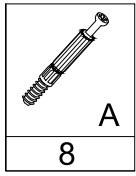
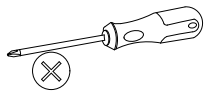
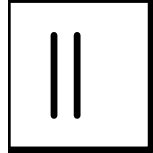
1x

			4.0x30 	8.0x30 	
A	S3	G	H1	D	B
4	16	2	4	8	8

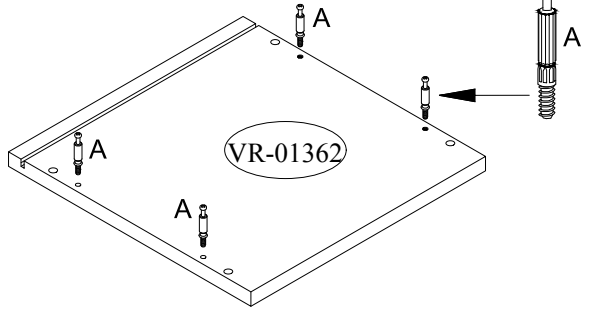


1x

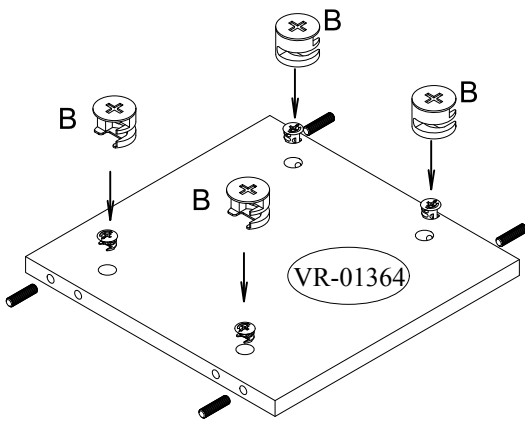
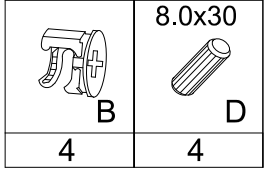
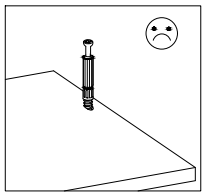
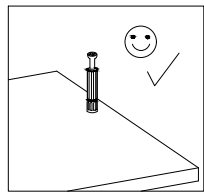
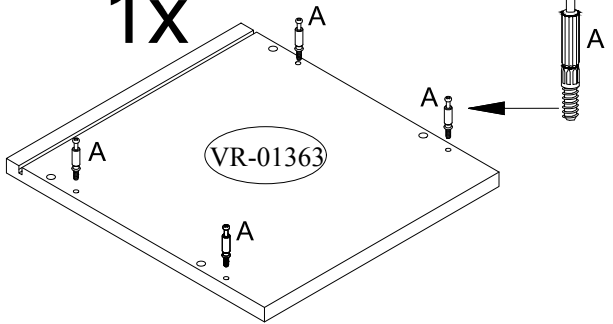




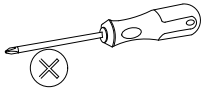
1x



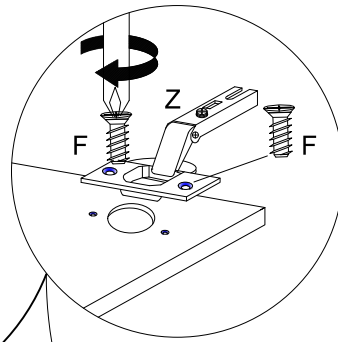
1x



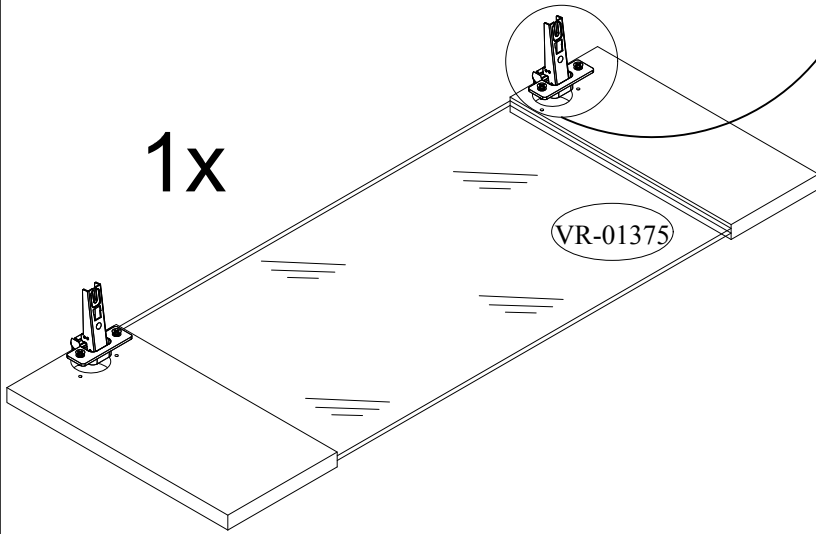
IV



6.3X13		
	F	Z
8		4

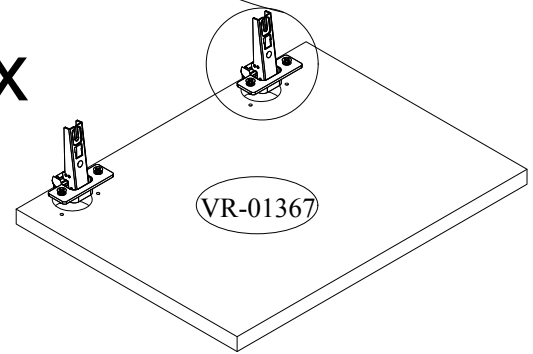


1x



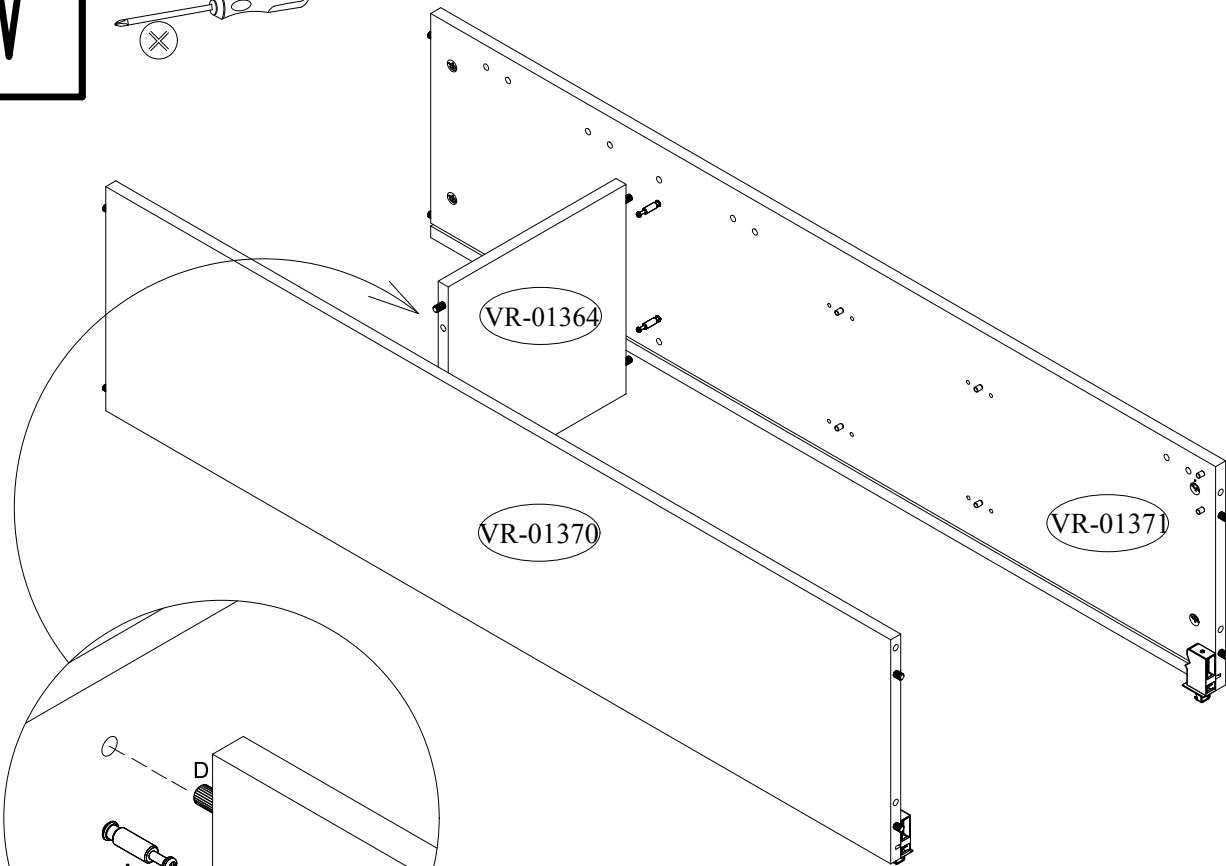
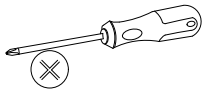
VR-01375

1x



VR-01367

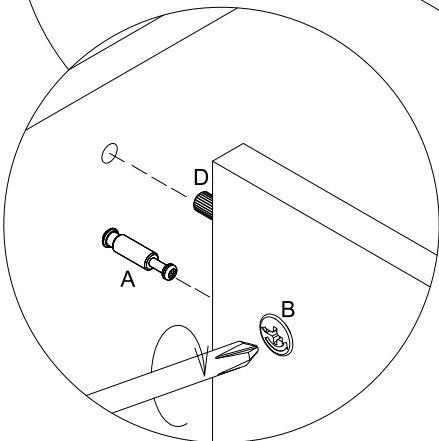
V



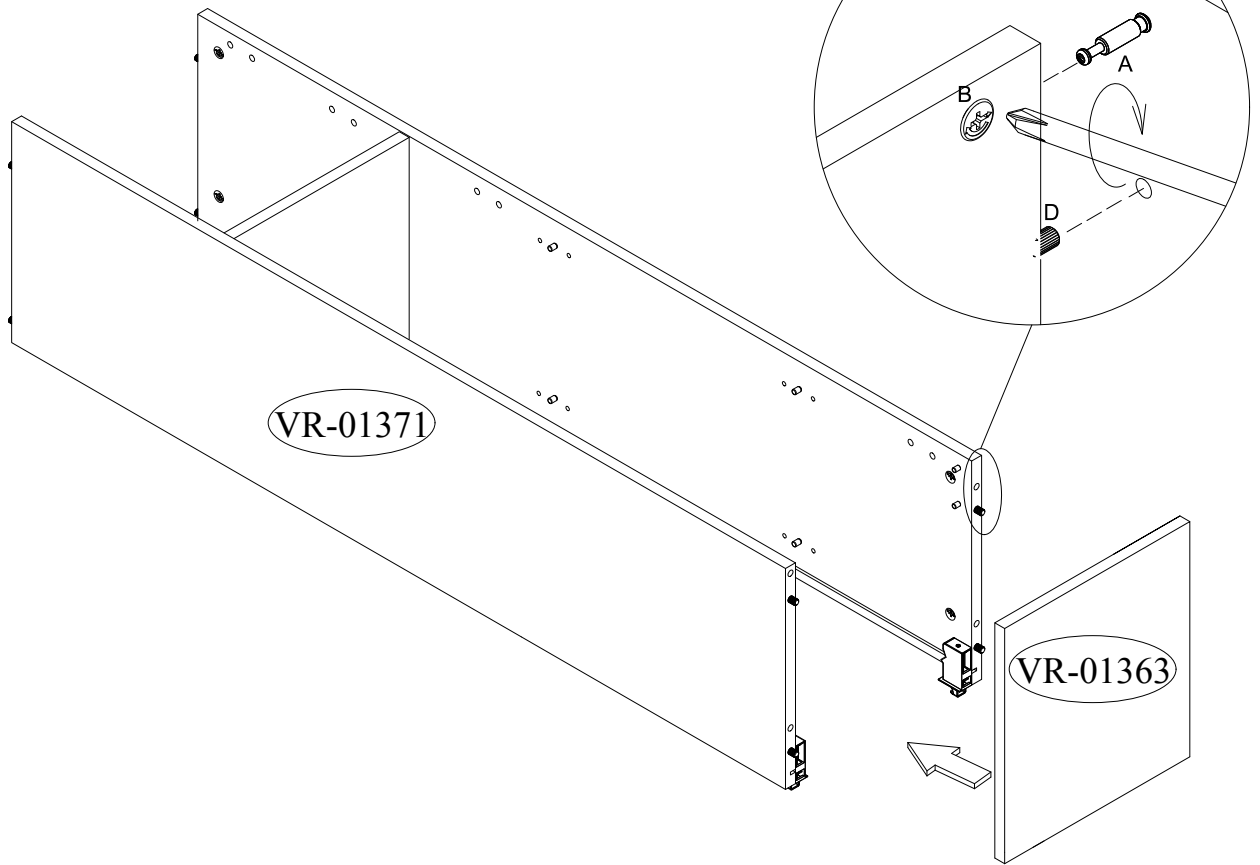
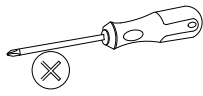
VR-01364

VR-01370

VR-01371



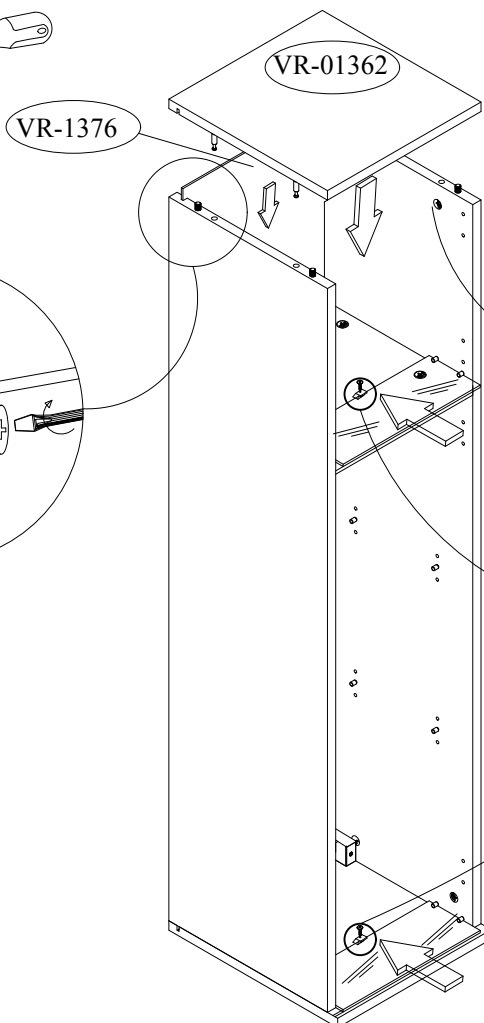
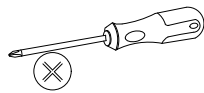
VI



VR-01371

VR-01363

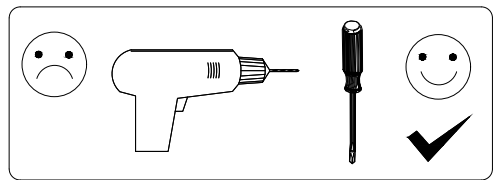
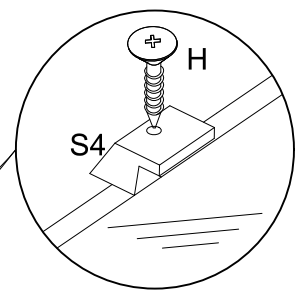
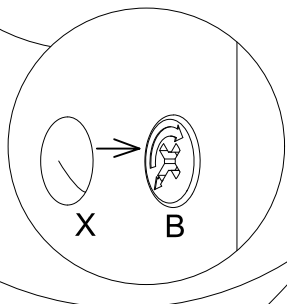
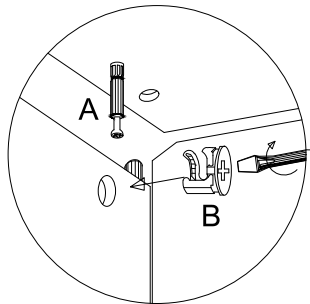
VII



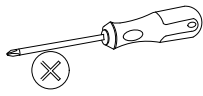
VR-01362

VR-1376

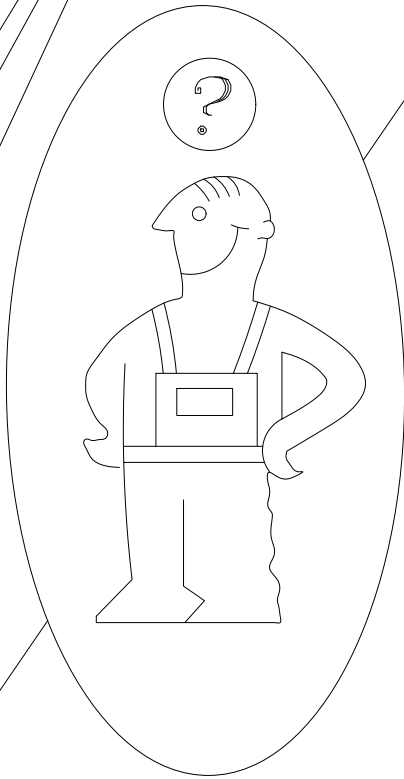
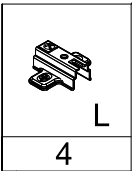
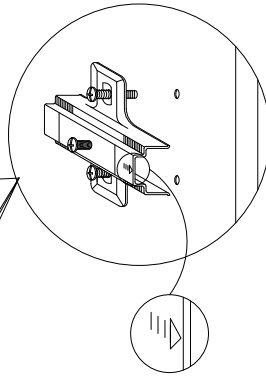
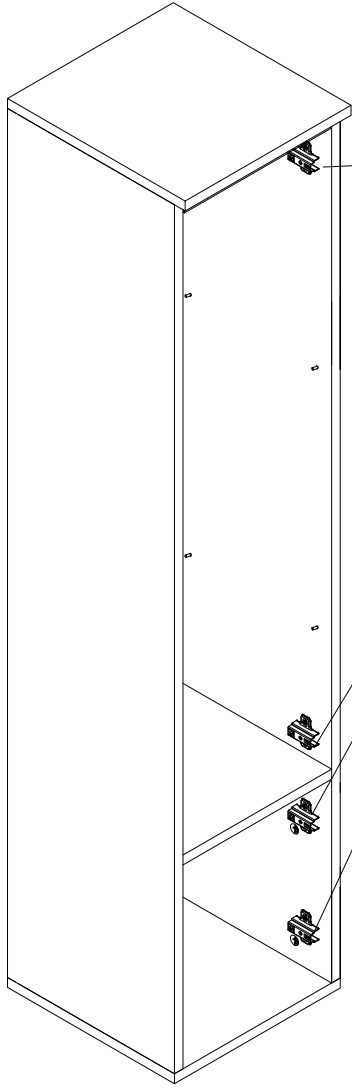
	3.0x13 	
X	H	S4
8	2	2



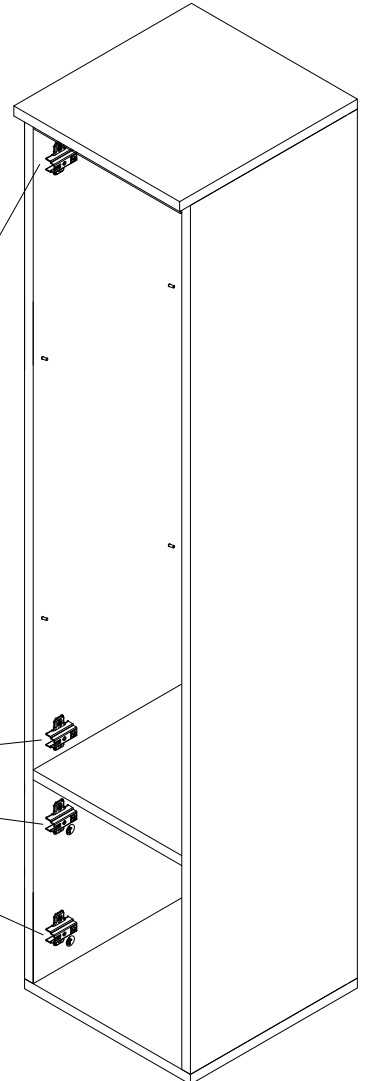
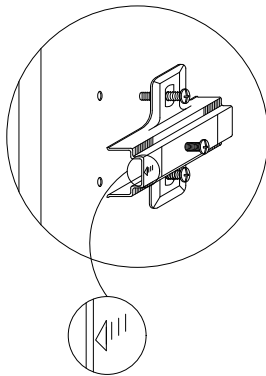
VIII



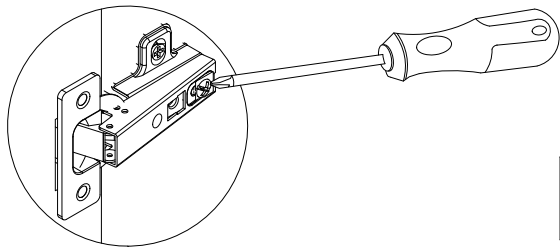
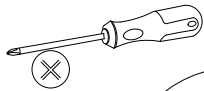
R



L

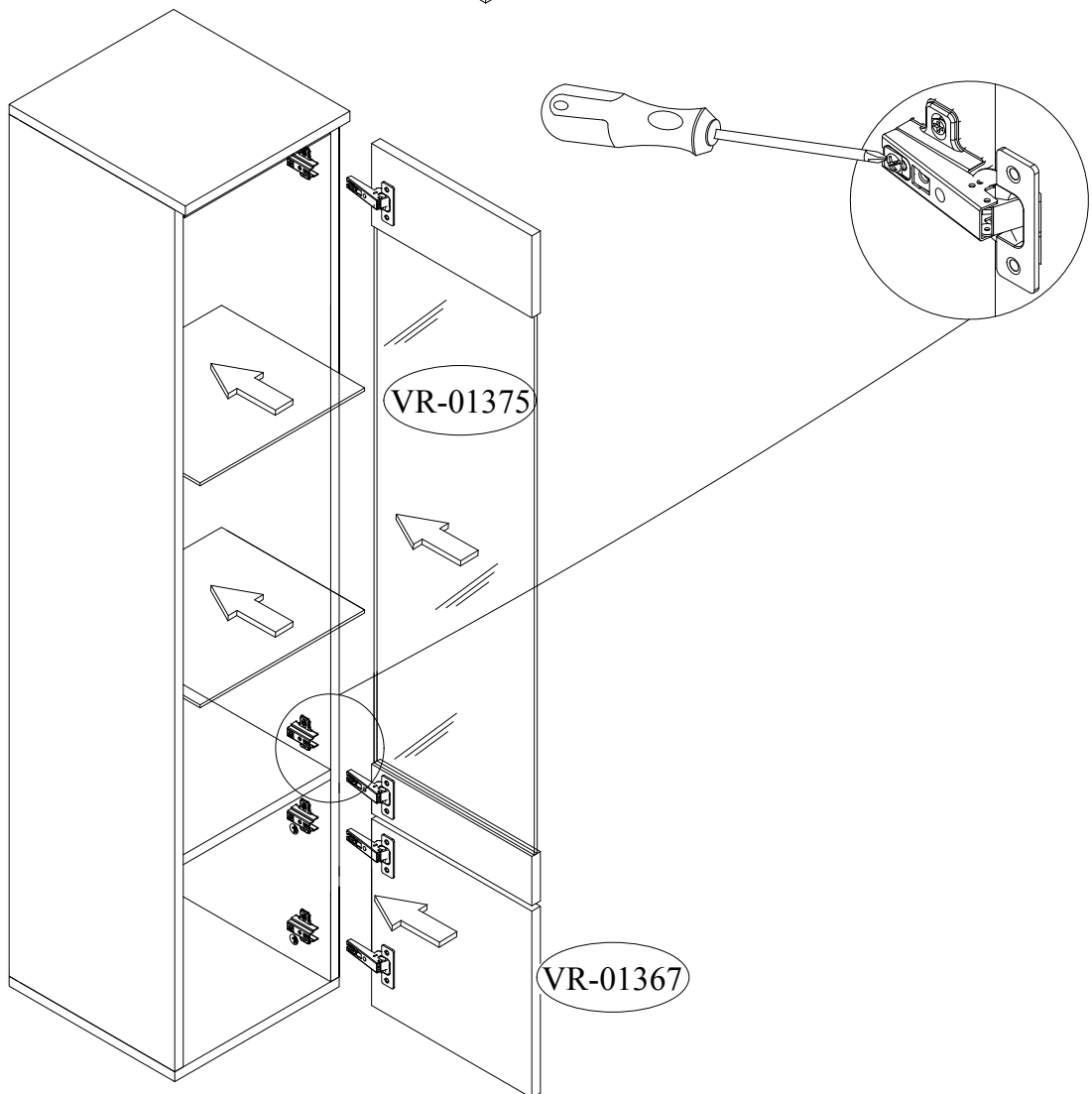


IX

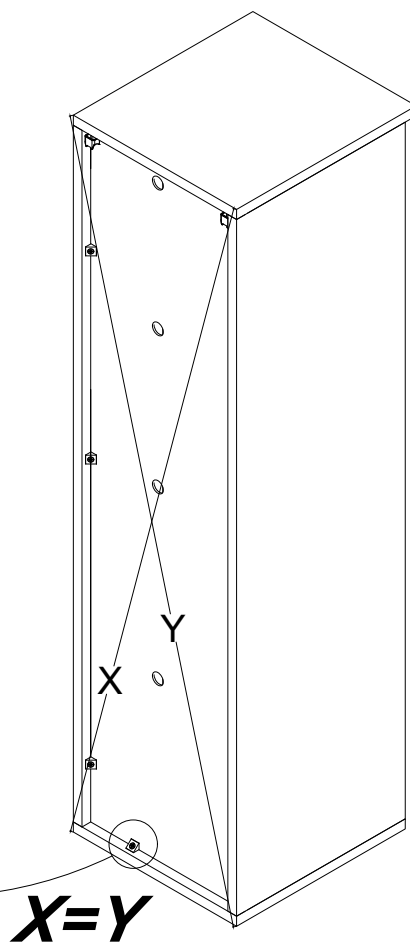
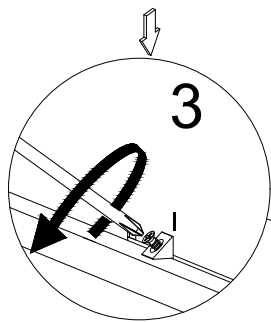
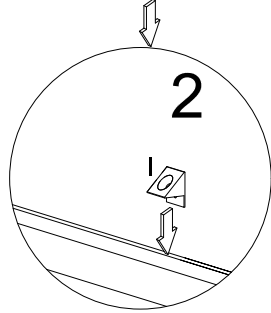
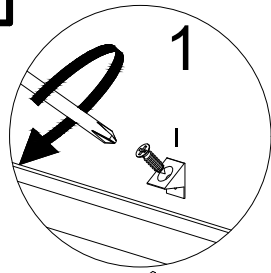
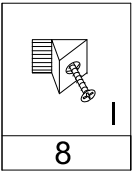
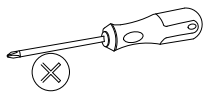


VR-01375

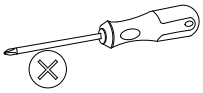
VR-01367




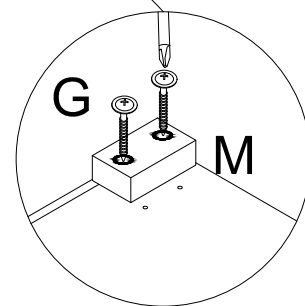
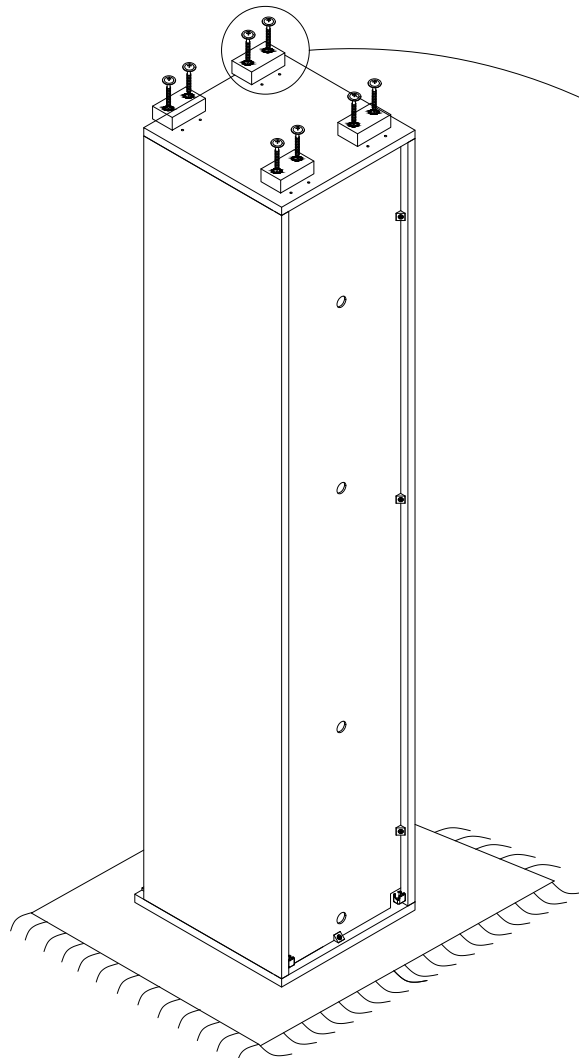
X

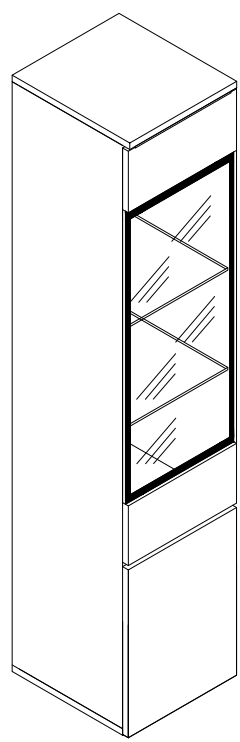
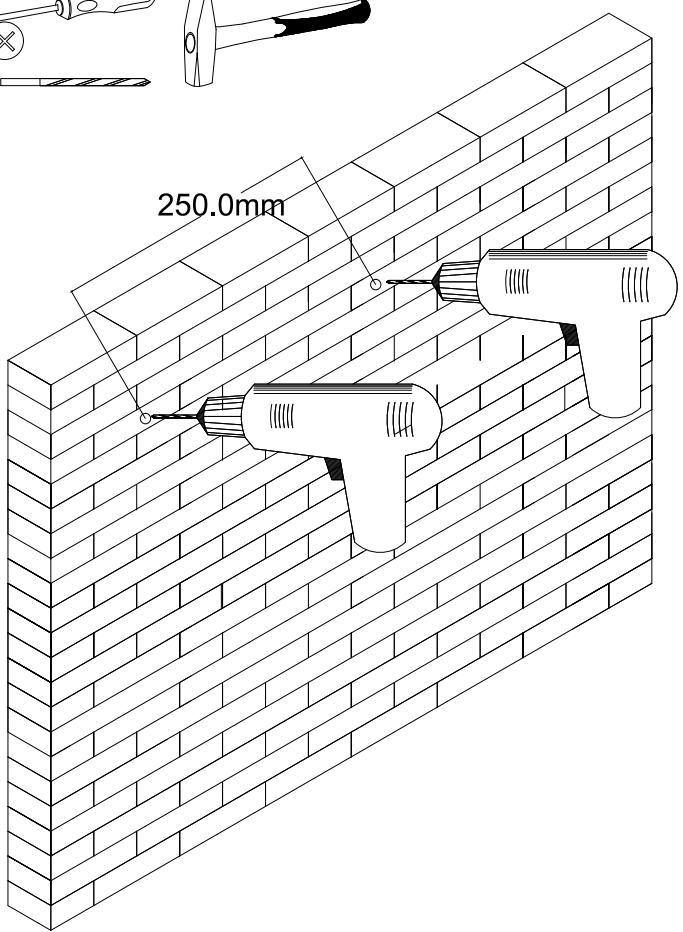
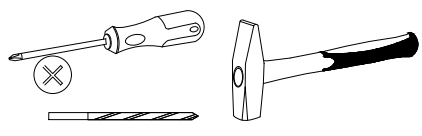
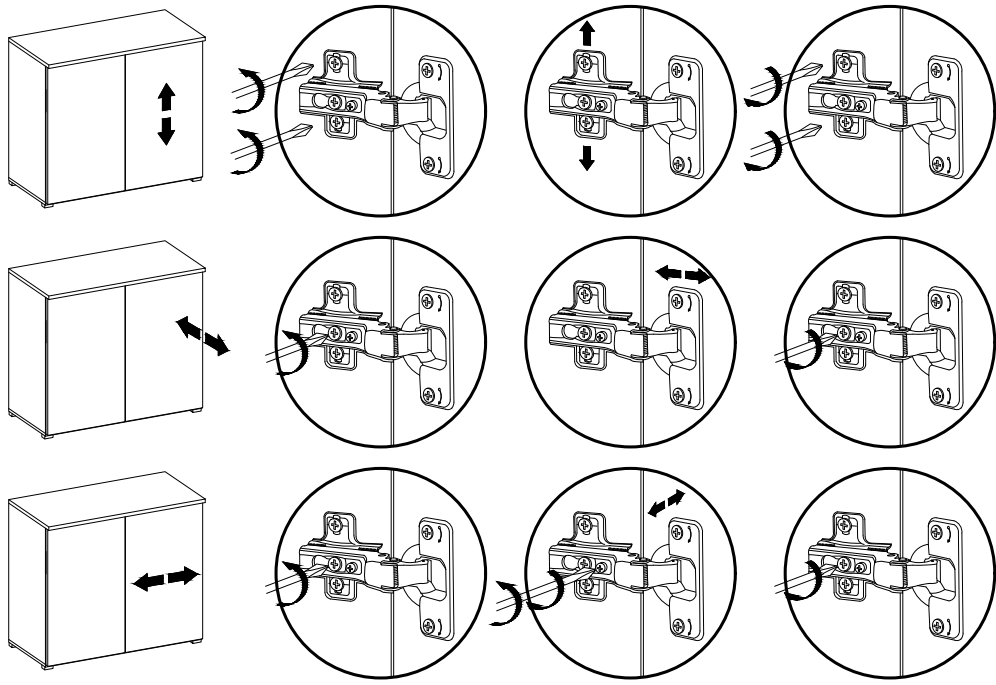


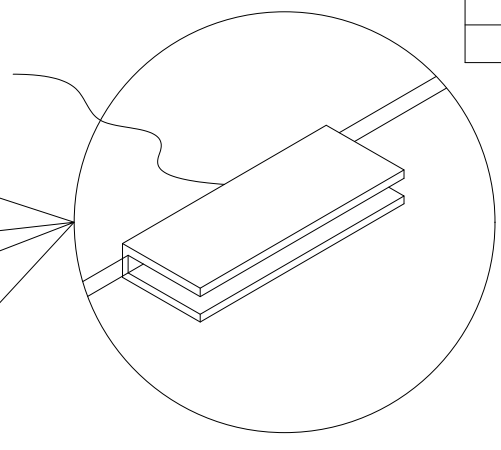
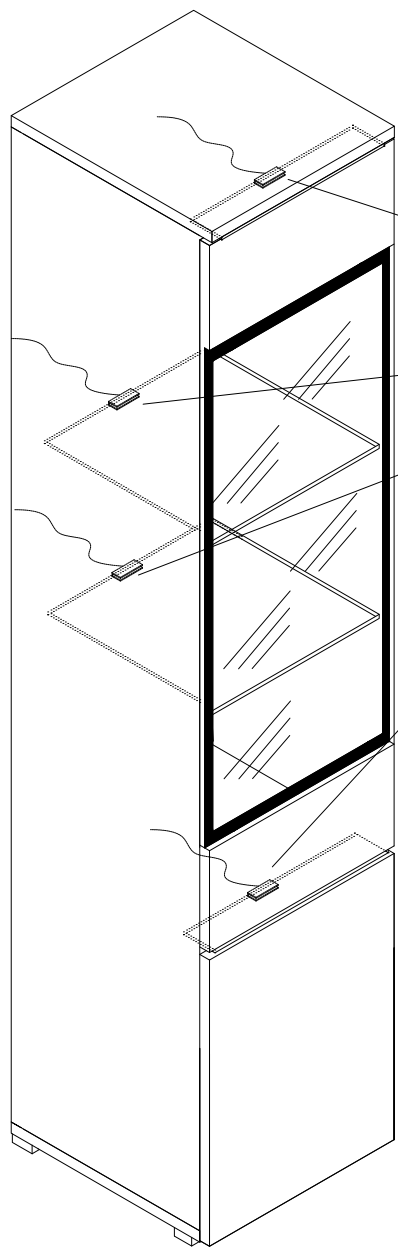
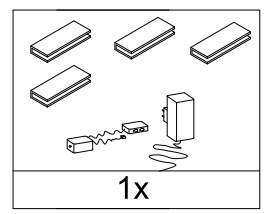
XI

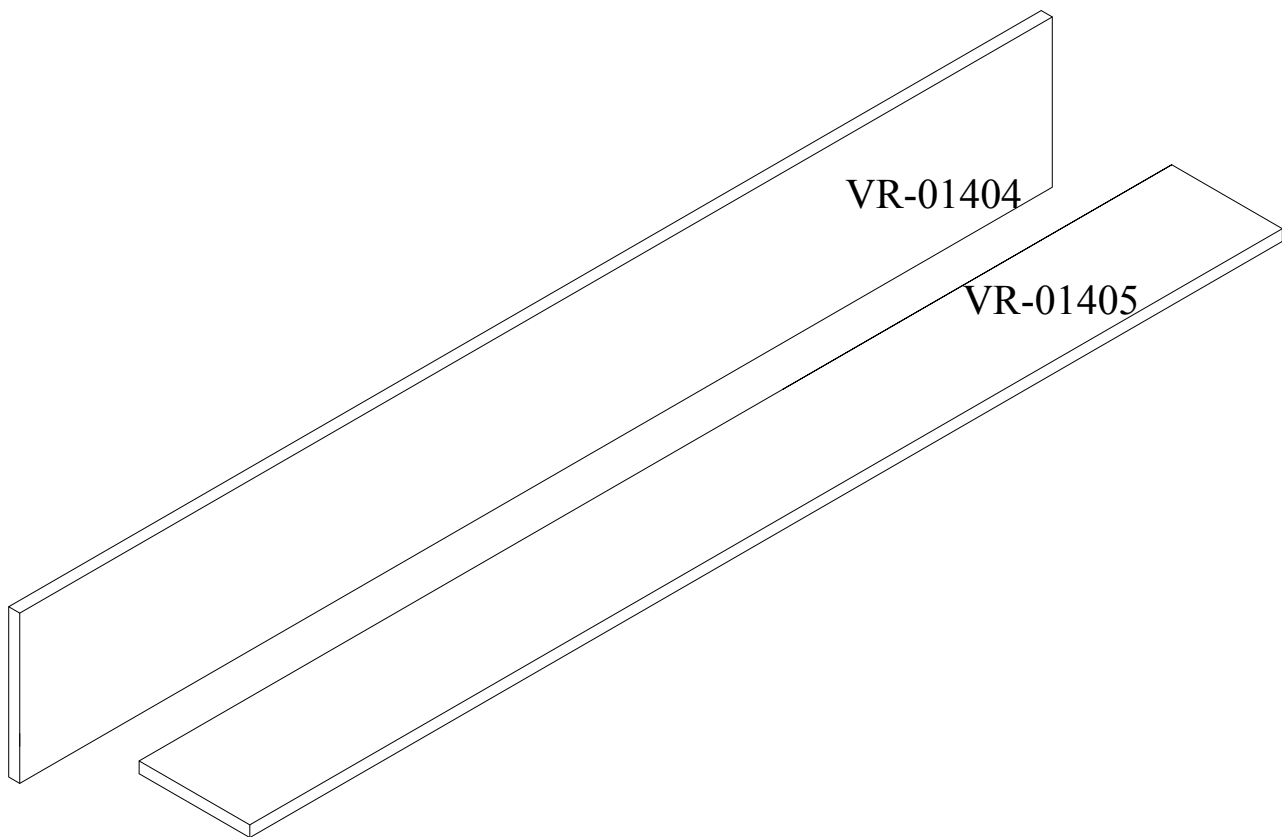


	4.0x25
M	G
4	8





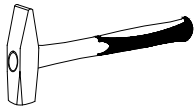




VR-01404

VR-01405

XII



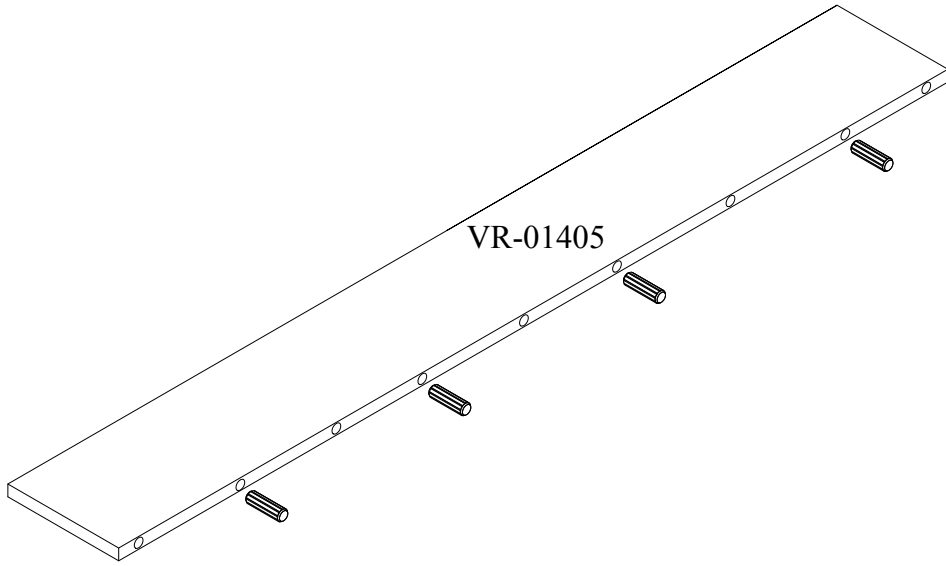
8.0x30



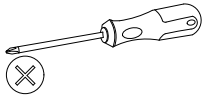
D

4

VR-01405



XIII



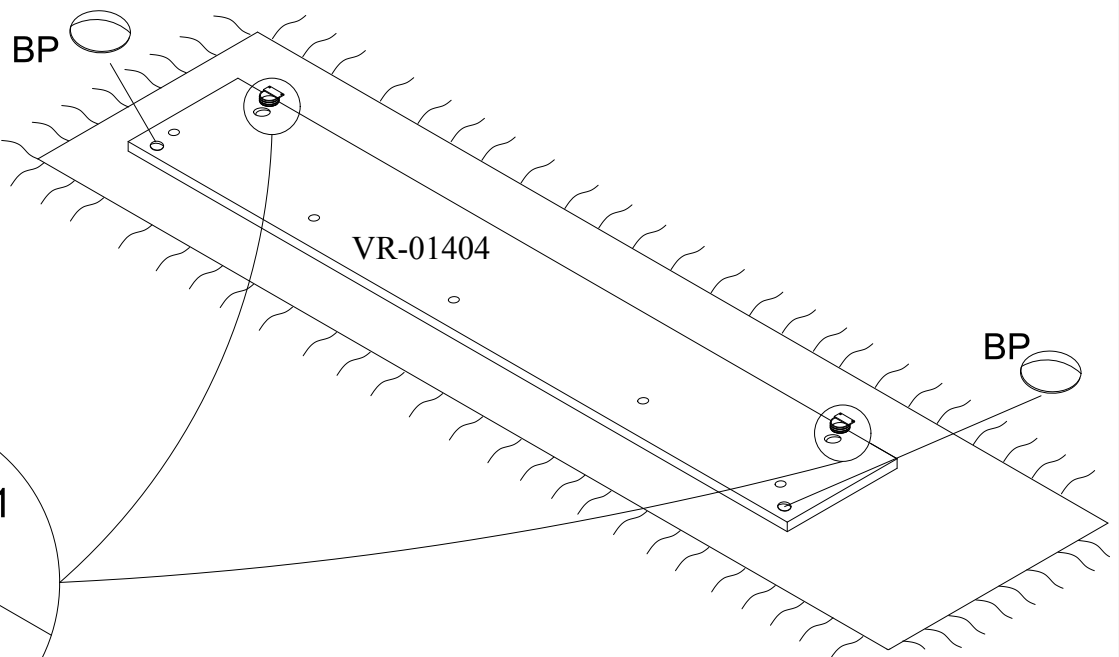
Y1

2



BP

2



VR-01404


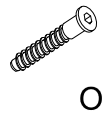
BP

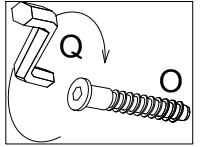
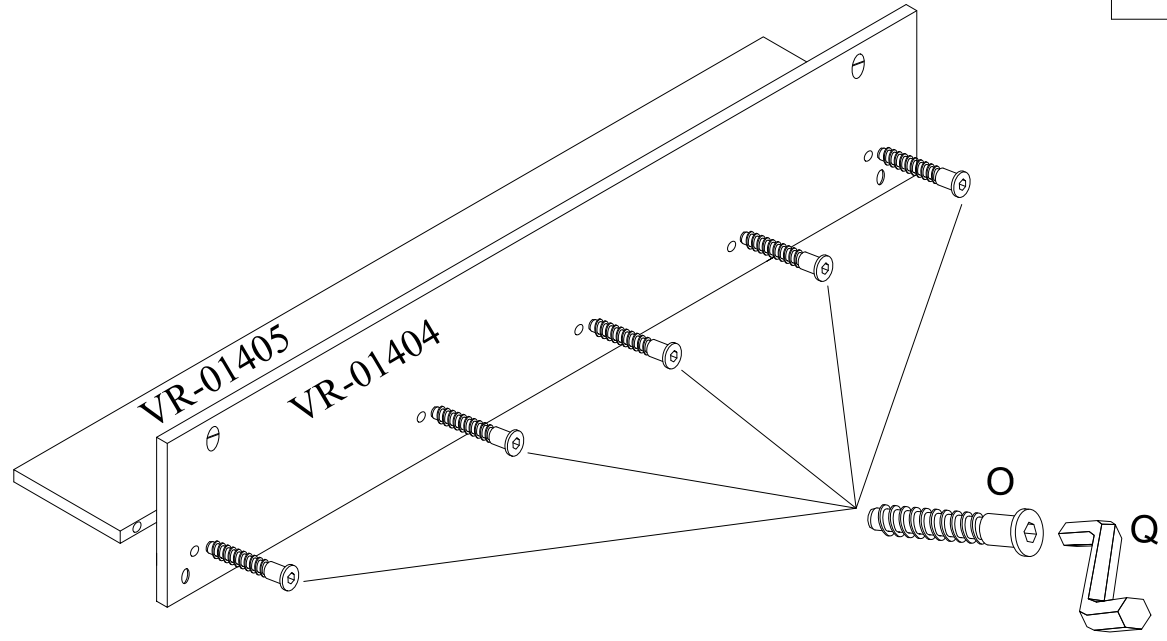
BP

H1

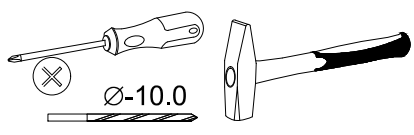
Y1


XIV

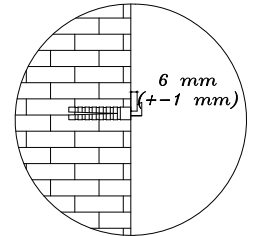
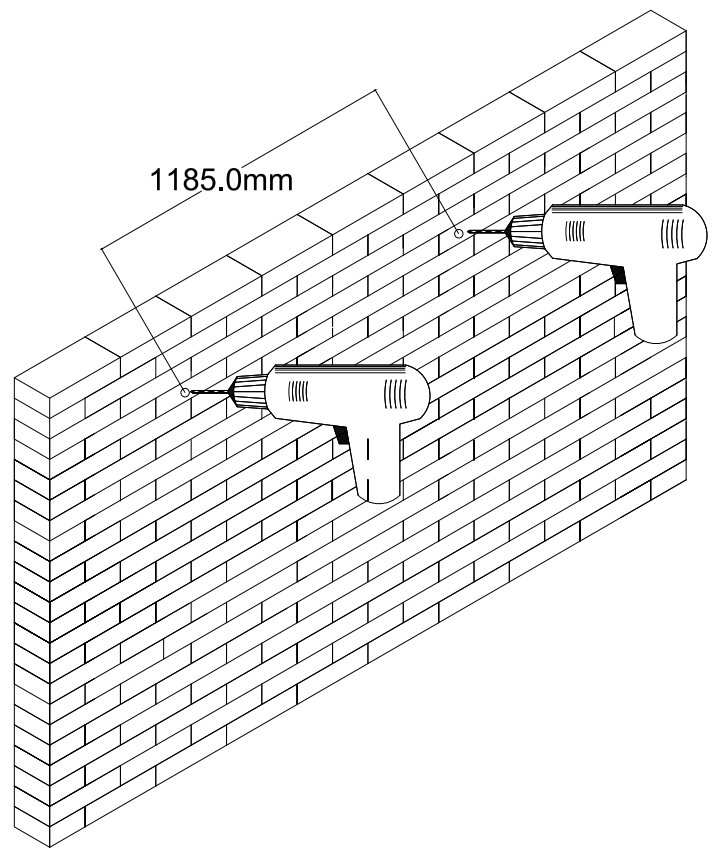
	
Q	O
1	5



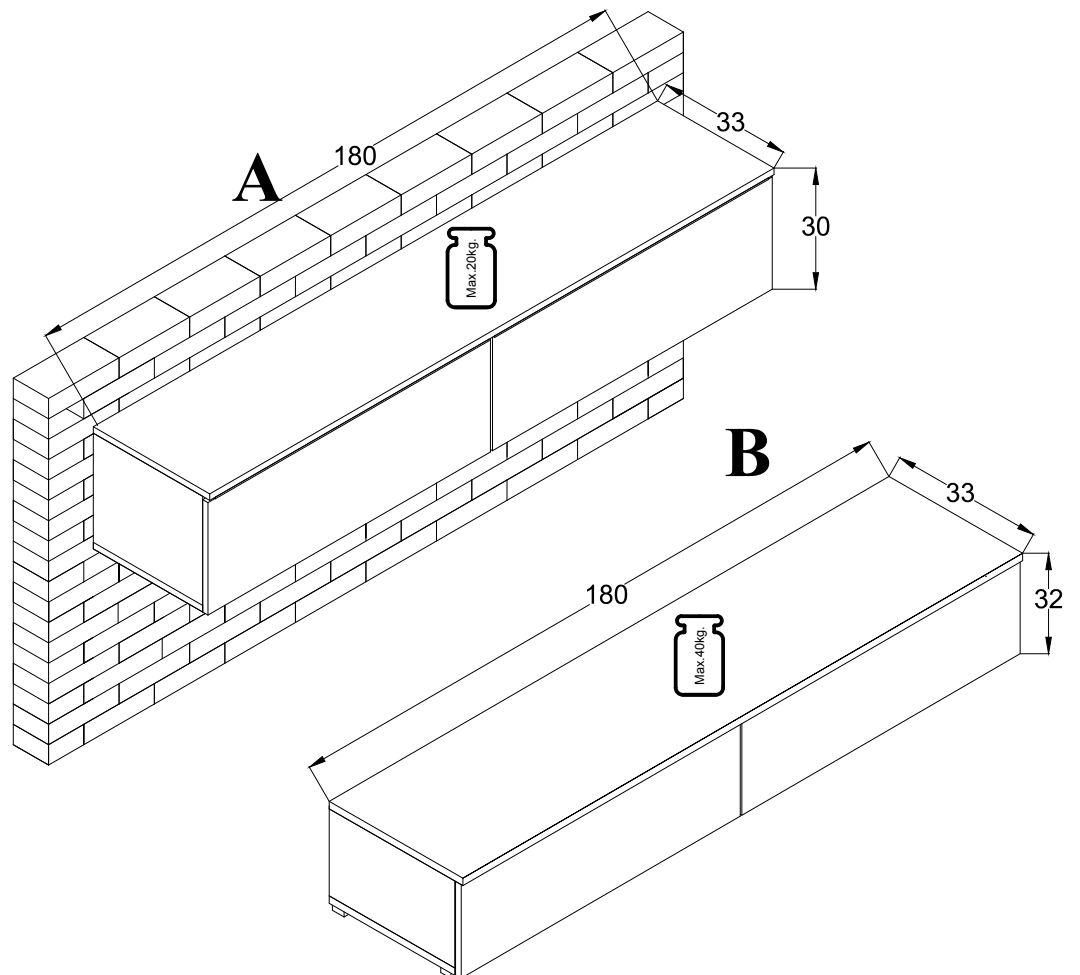
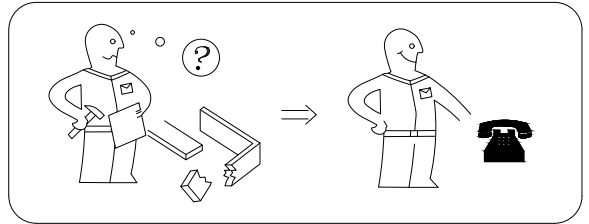
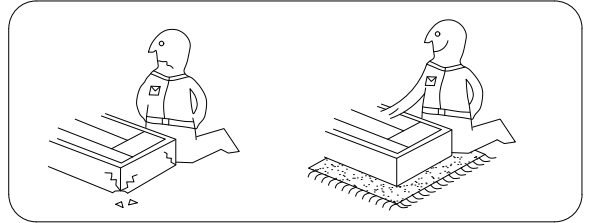
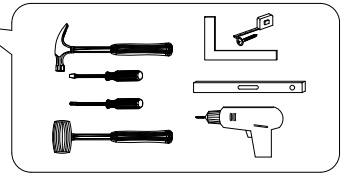
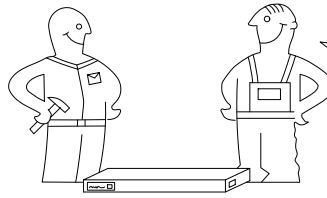
XV

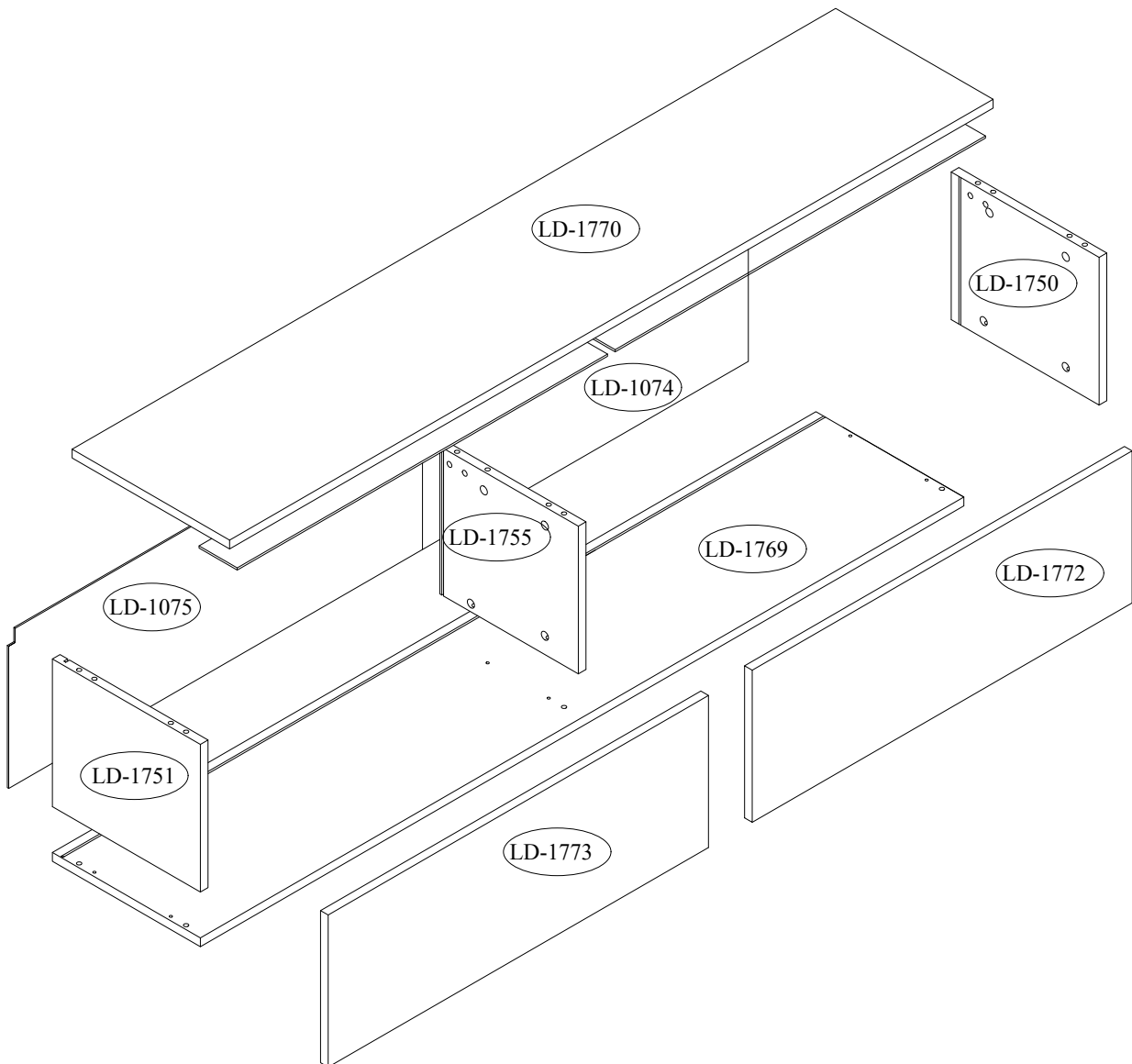
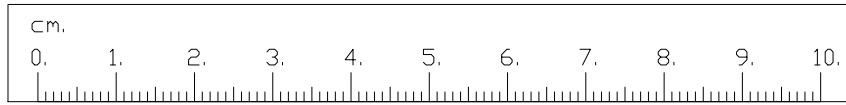
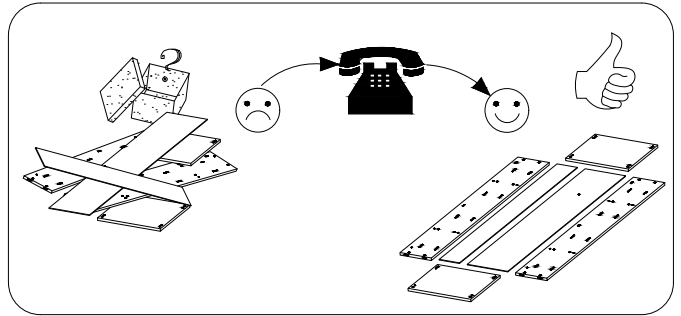
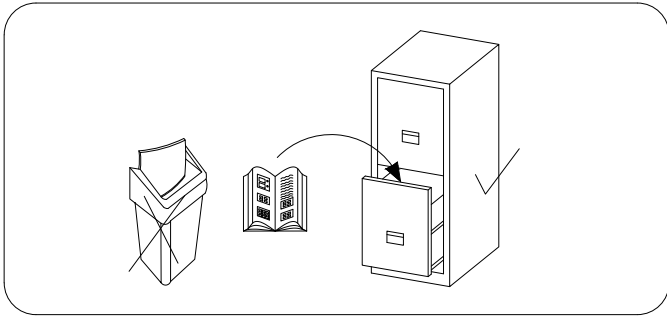





KR
1





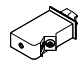
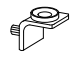
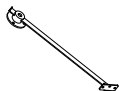
LOWBOARD D - 180


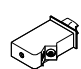
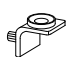









	
A	L
6	4



A
6

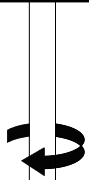
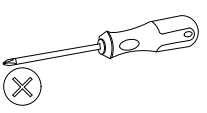
	8.0x30		3.0x13			4.0x30
B	D	G	H	S2	Q	H1
8	8	2	6	4	2	4

	8.0x30		4.0x30	
B	D	G	H1	S2
4	4	1	2	4

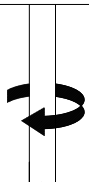
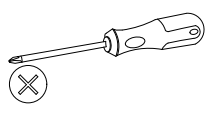
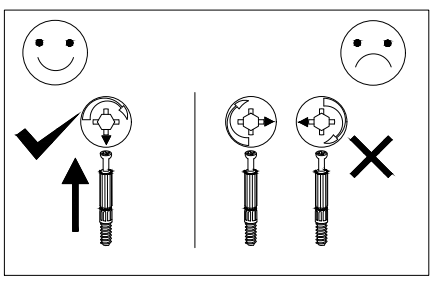
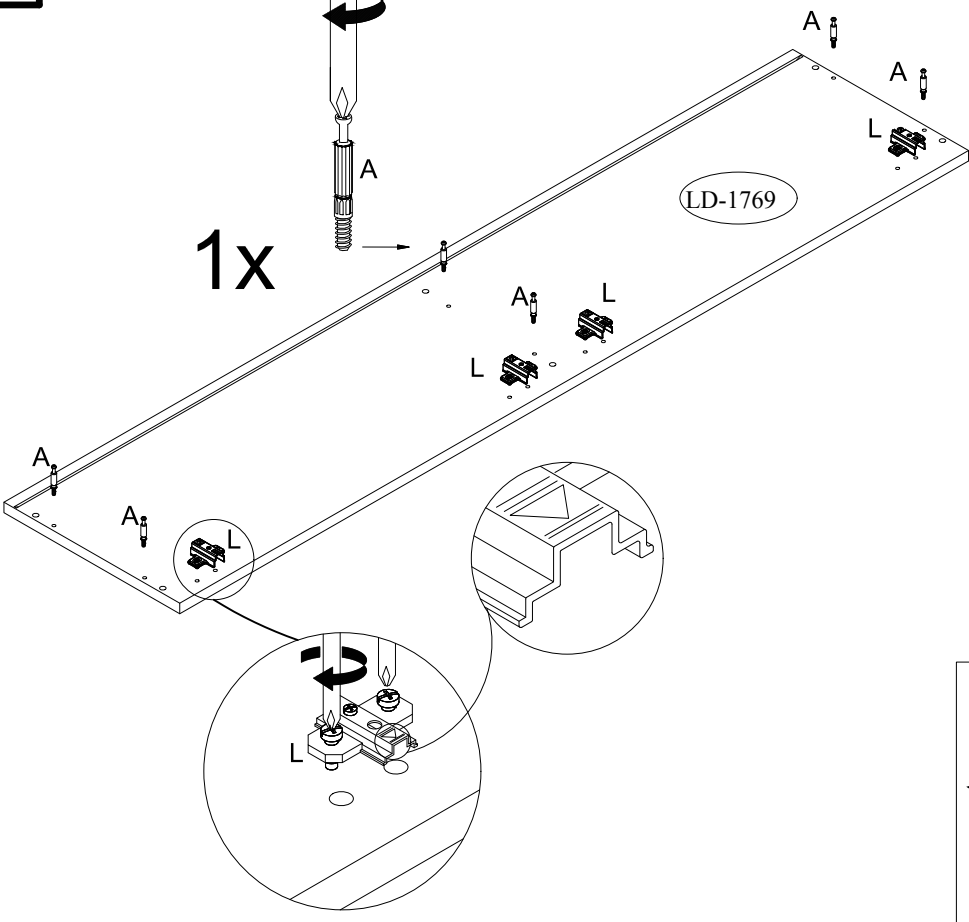
V-VII-IX-X-XIII

6.3X13				3.0x13			4.0x25
F	Z	X	I	H	S4	M	G
8	4	12	12	8	2	6	12

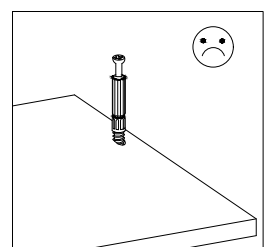
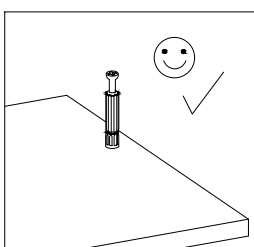
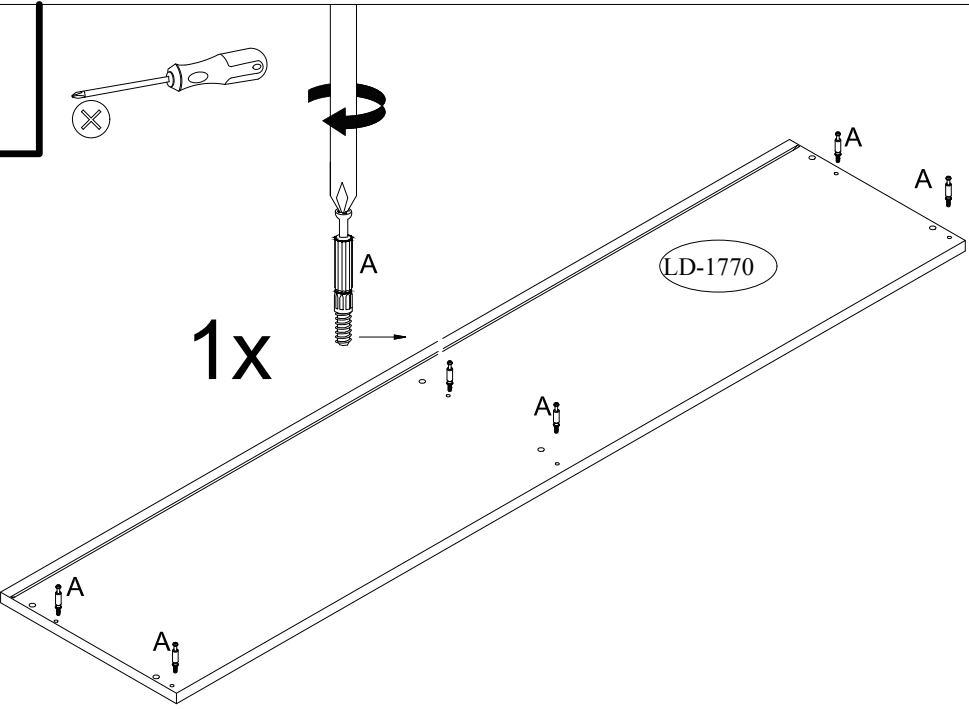
∅-10.0

KR
1

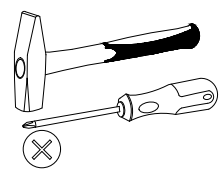


L	A
4	6



A
6

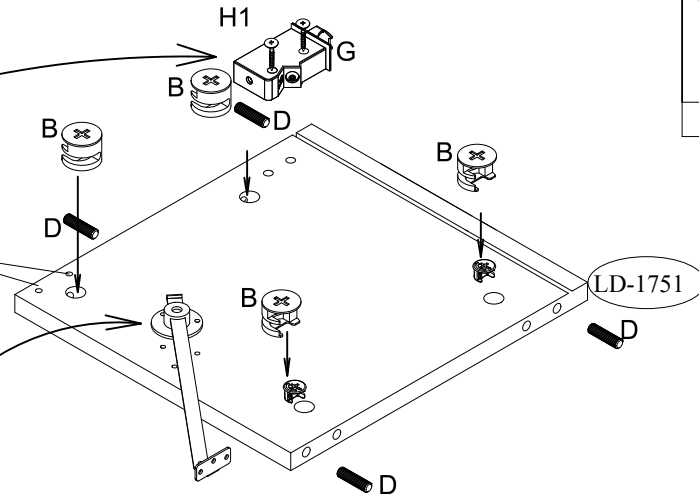
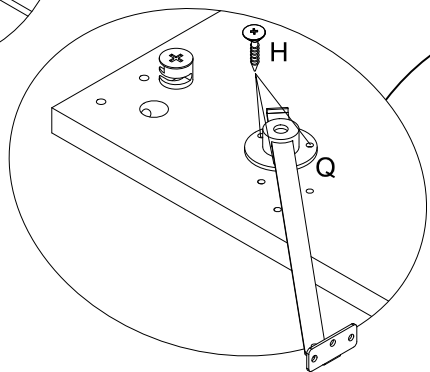
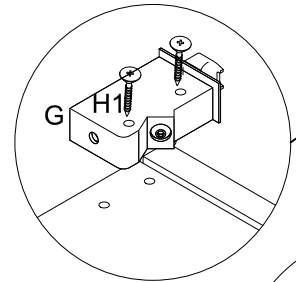




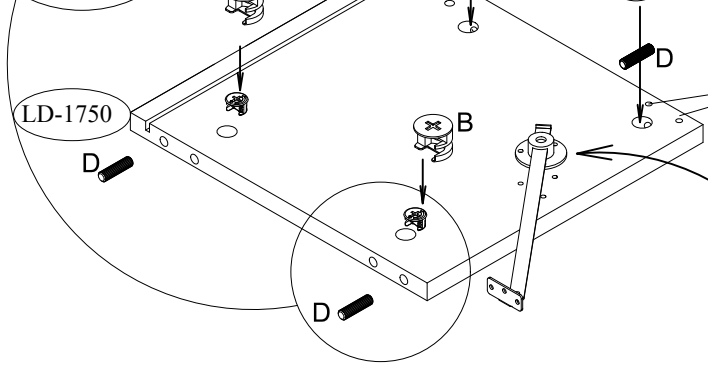
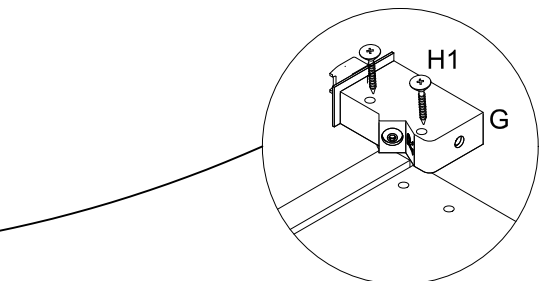
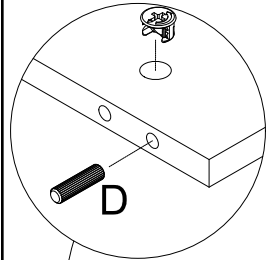
	3.0x13 		4.0x30 	8.0x30 	
S2	H	G	H1	D	B
4	6	2	4	8	8

Q
2

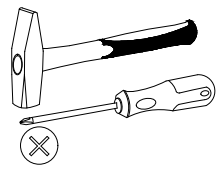
1x



1x

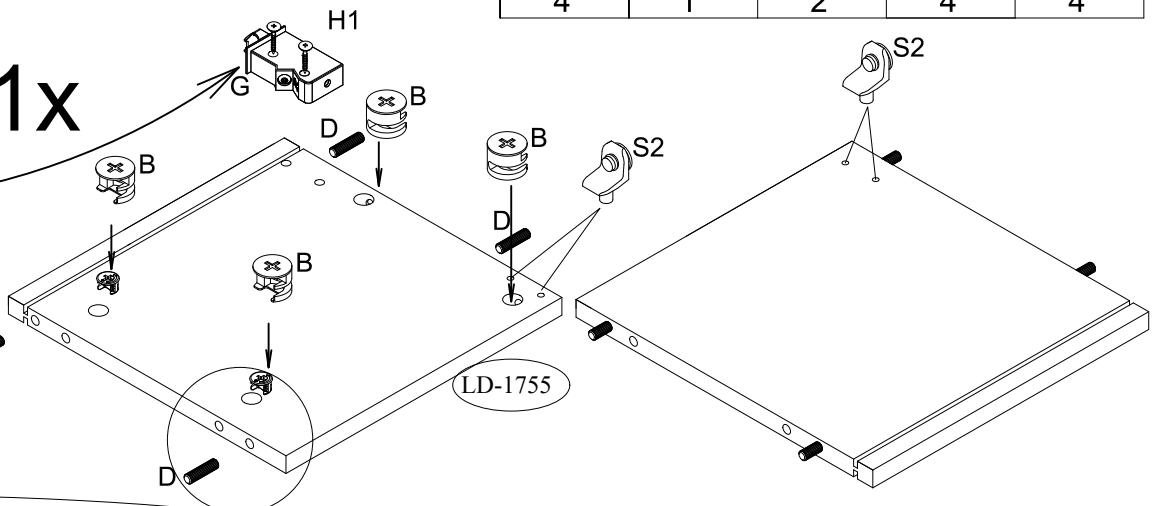
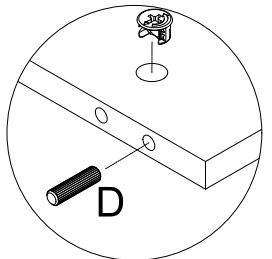
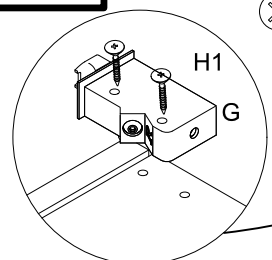


IV



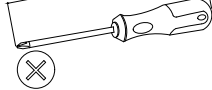
		4.0x30 	8.0x30 	
S2	G	H1	D	B
4	1	2	4	4

1x



V

MAX.150 mm



6.3X13



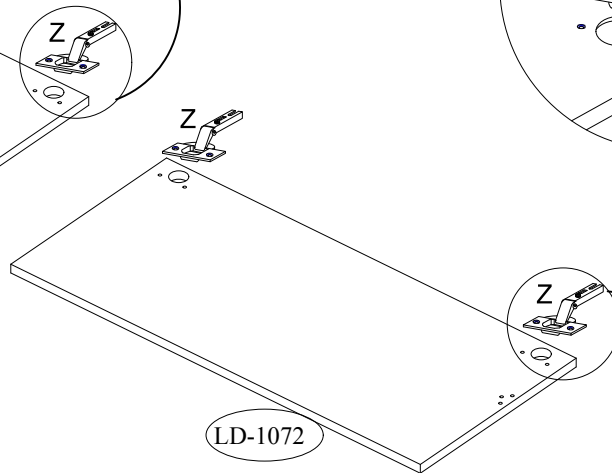
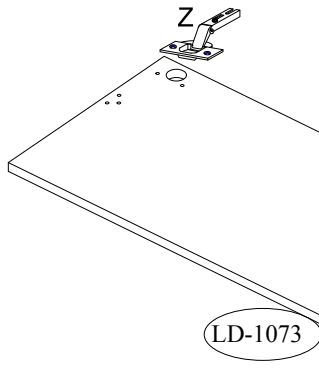
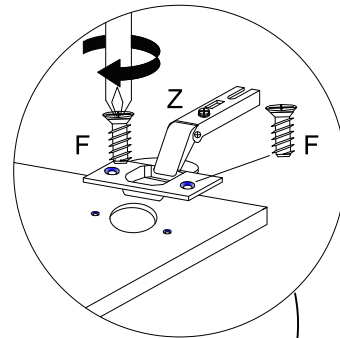
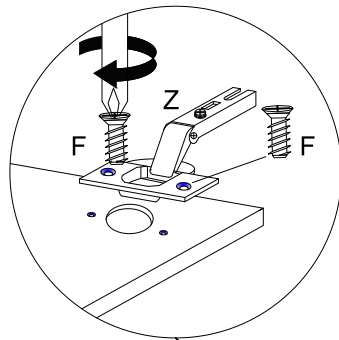
F

8



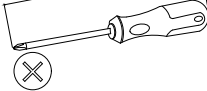
Z

4



VI

MAX.150 mm

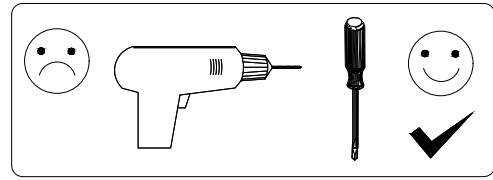
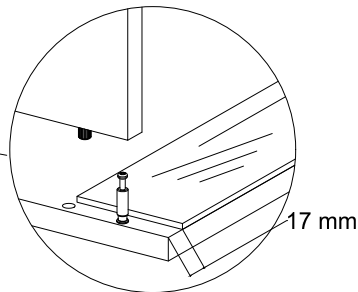
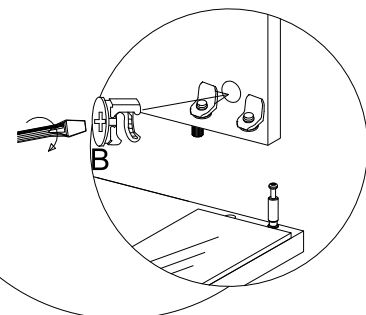


LD-1751

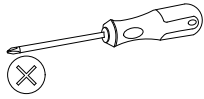
LD-1755


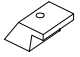
LD-1770

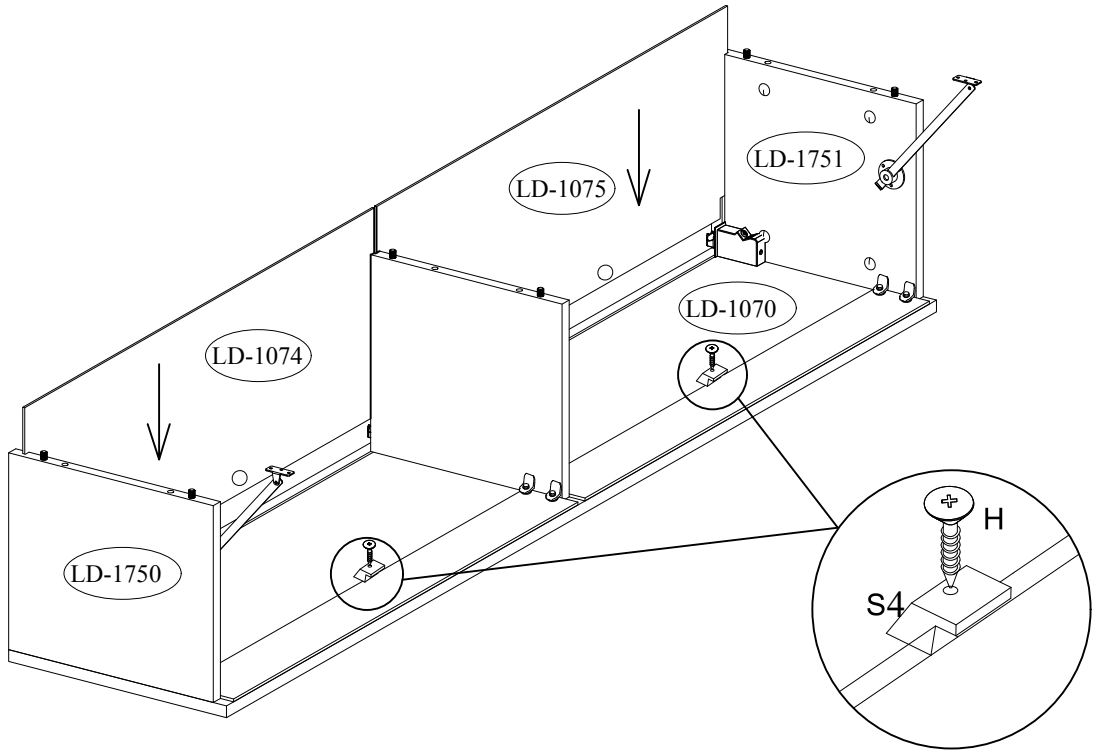
LD-1750



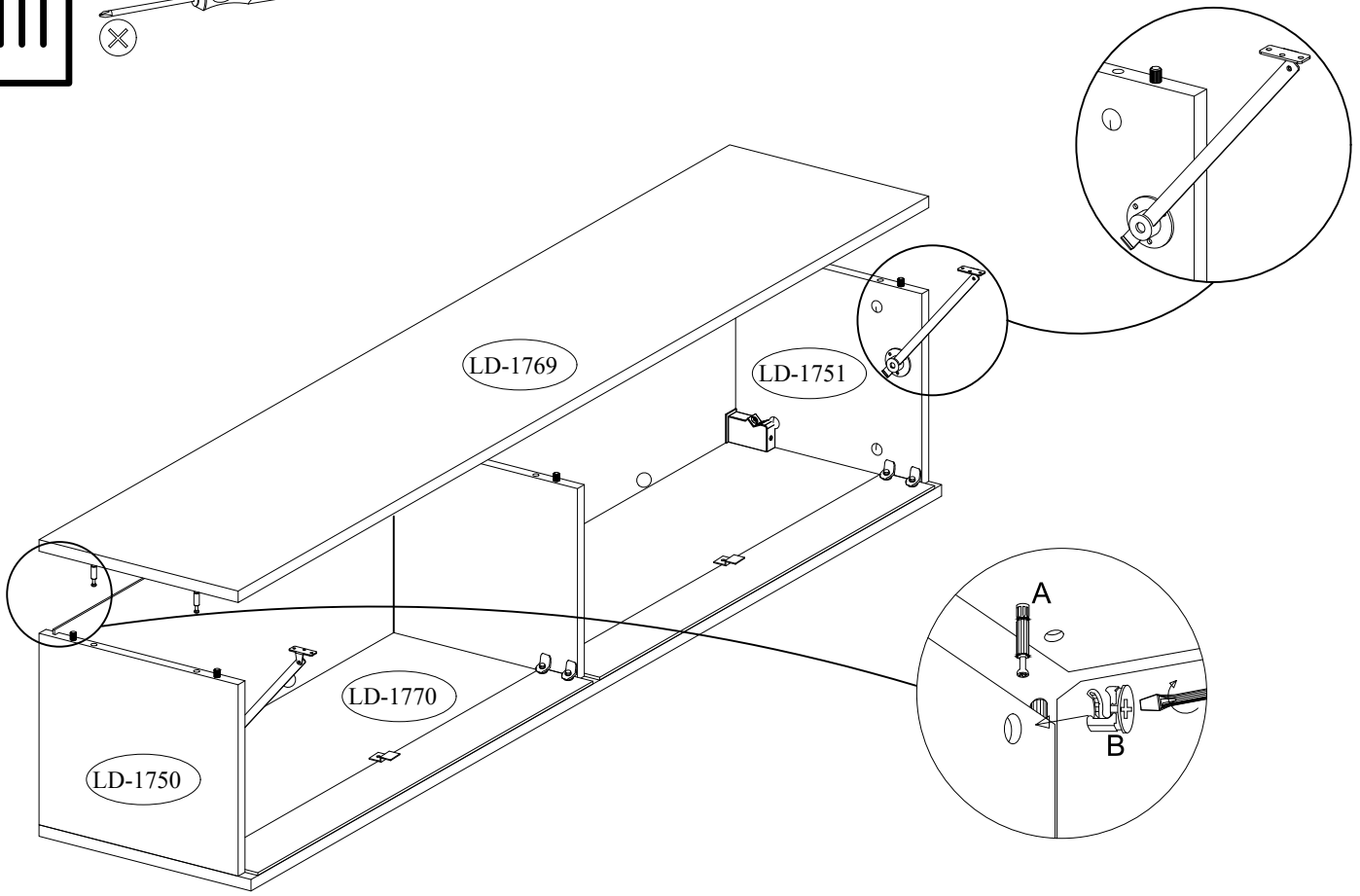
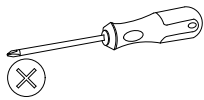
VII



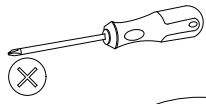
3.0x13		
	H	S4
2		2

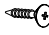



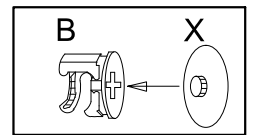
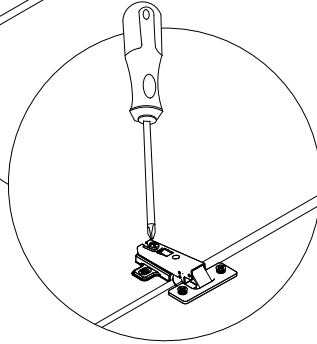
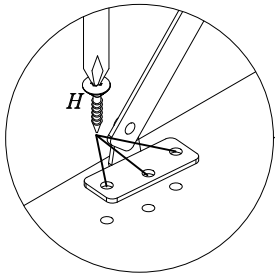
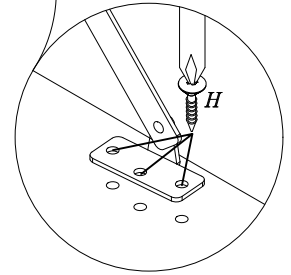
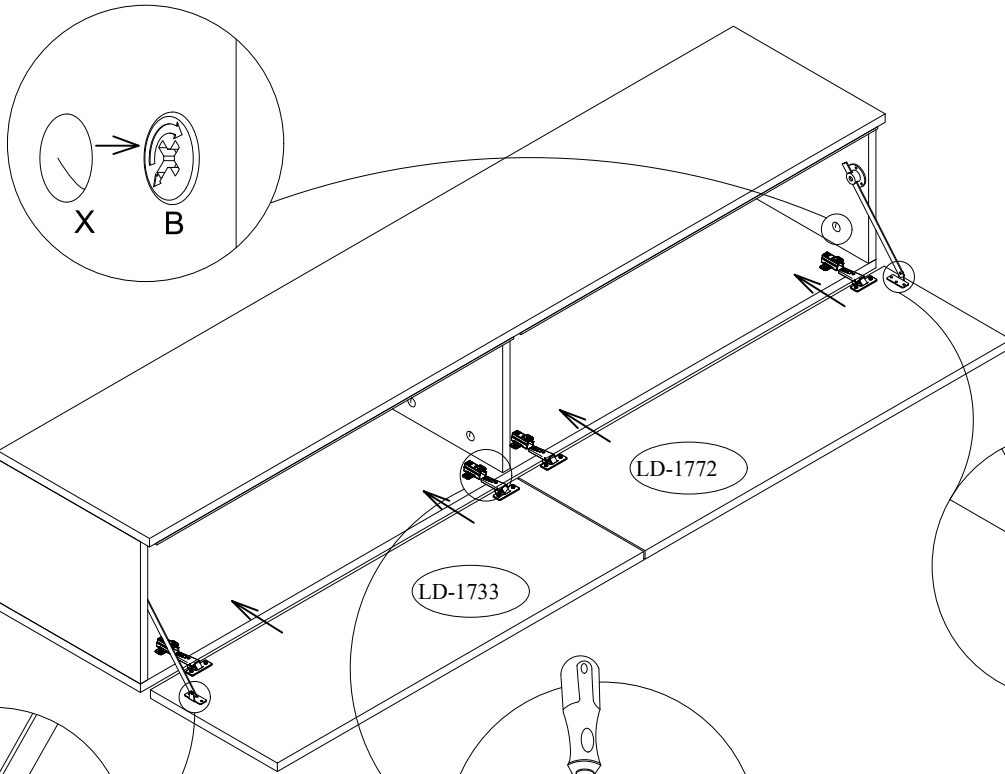
VIII



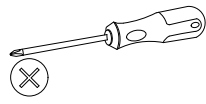
IX

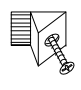


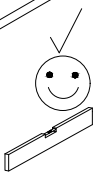
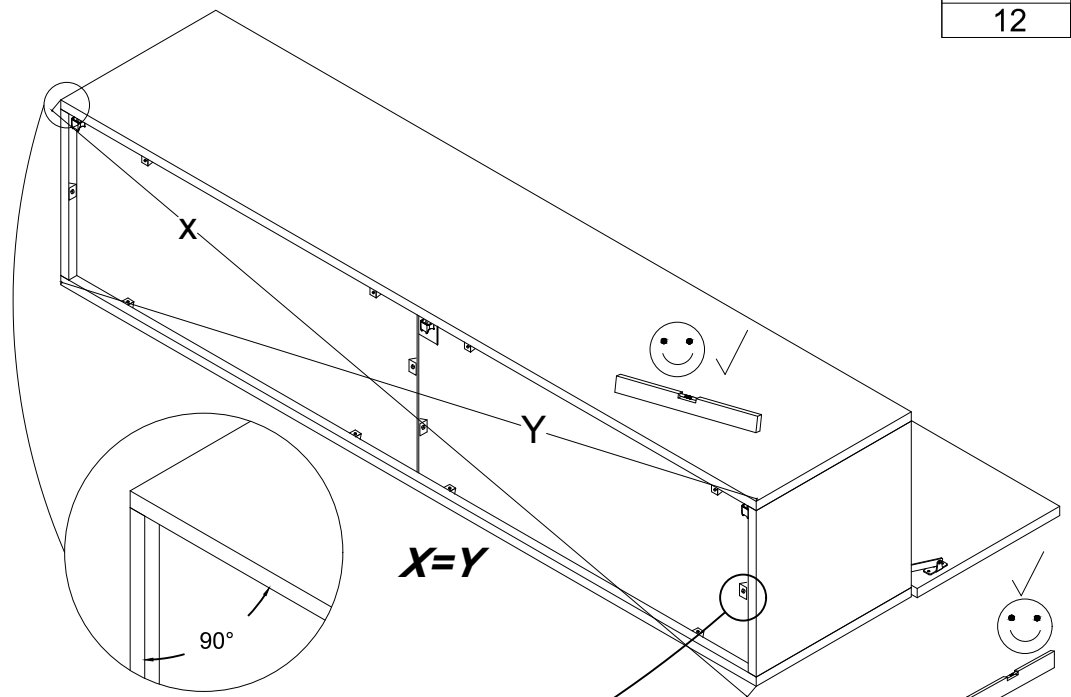
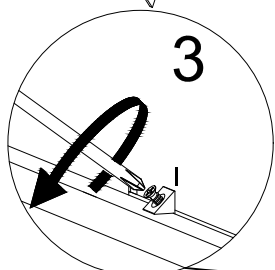
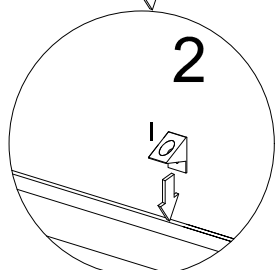
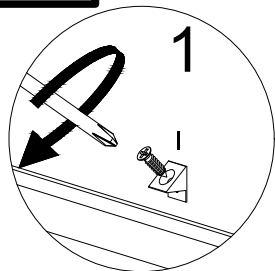
3.0x13  H	 X
6	12



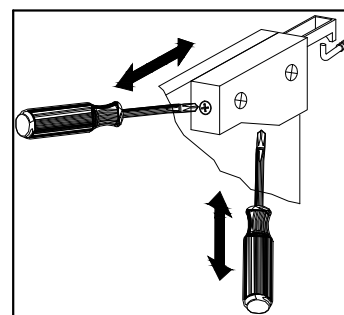
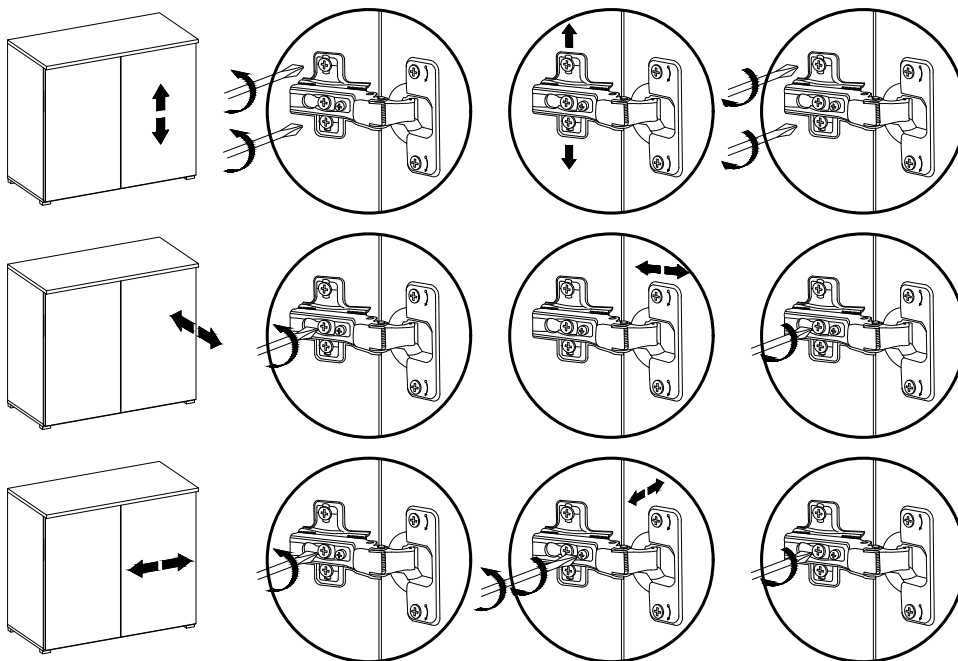
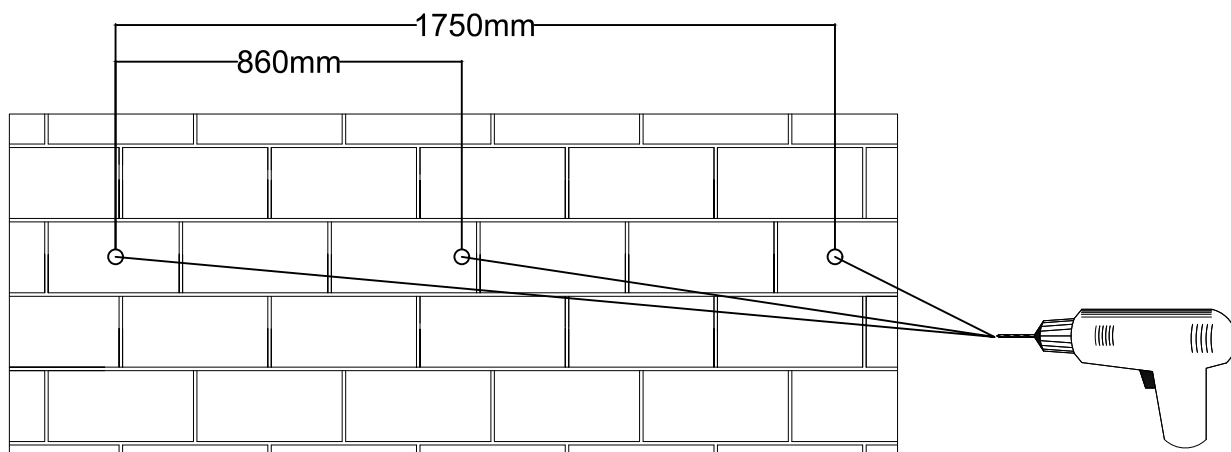
X

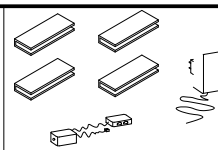
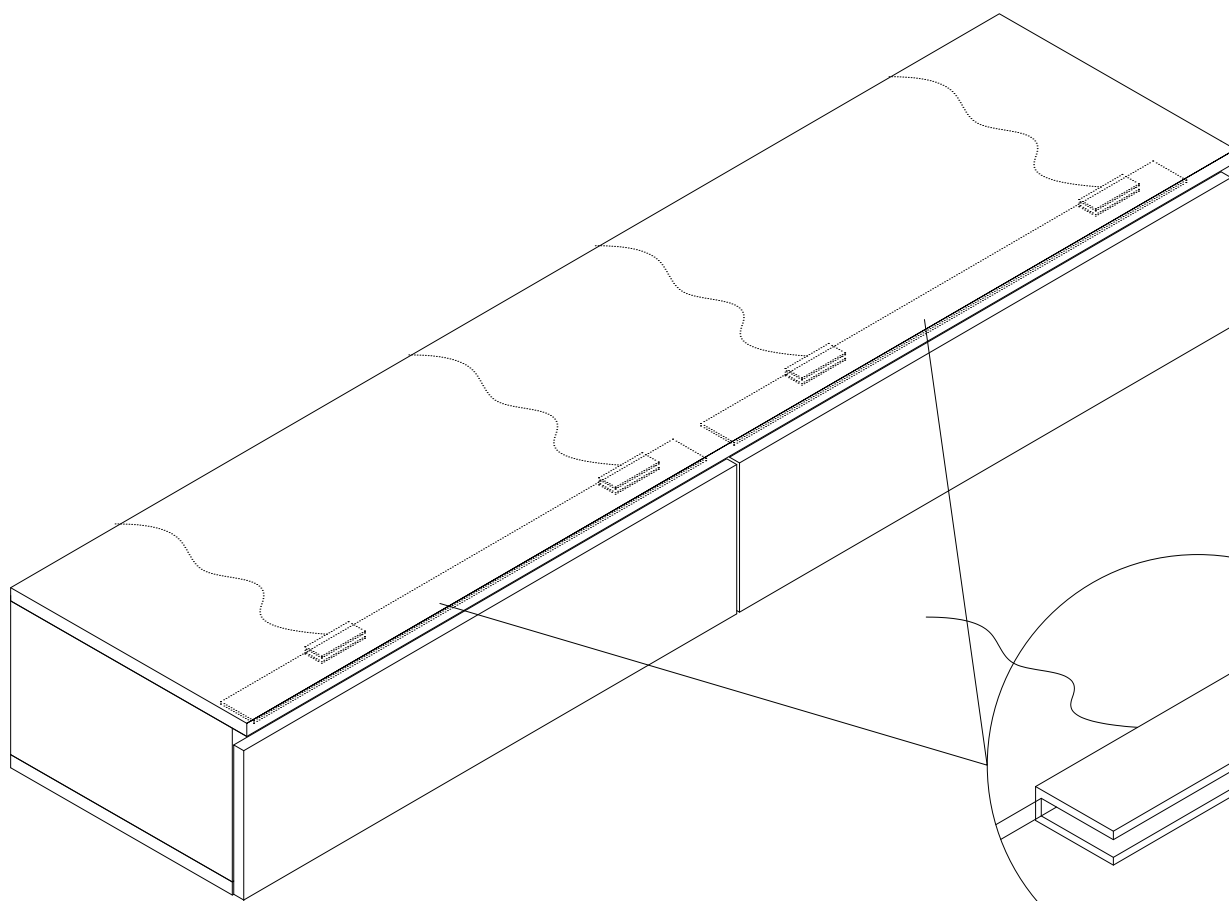


 I
12



XI

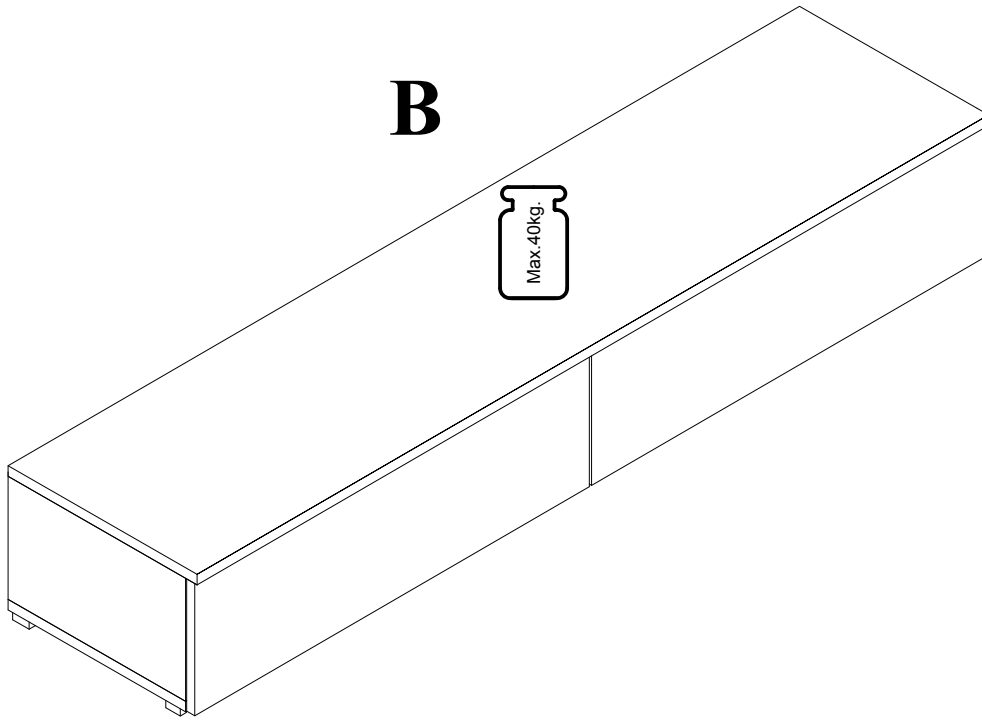




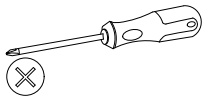
1 kpl.



XII

B



XIII



	4.0x25
M	
6	G
	12

