








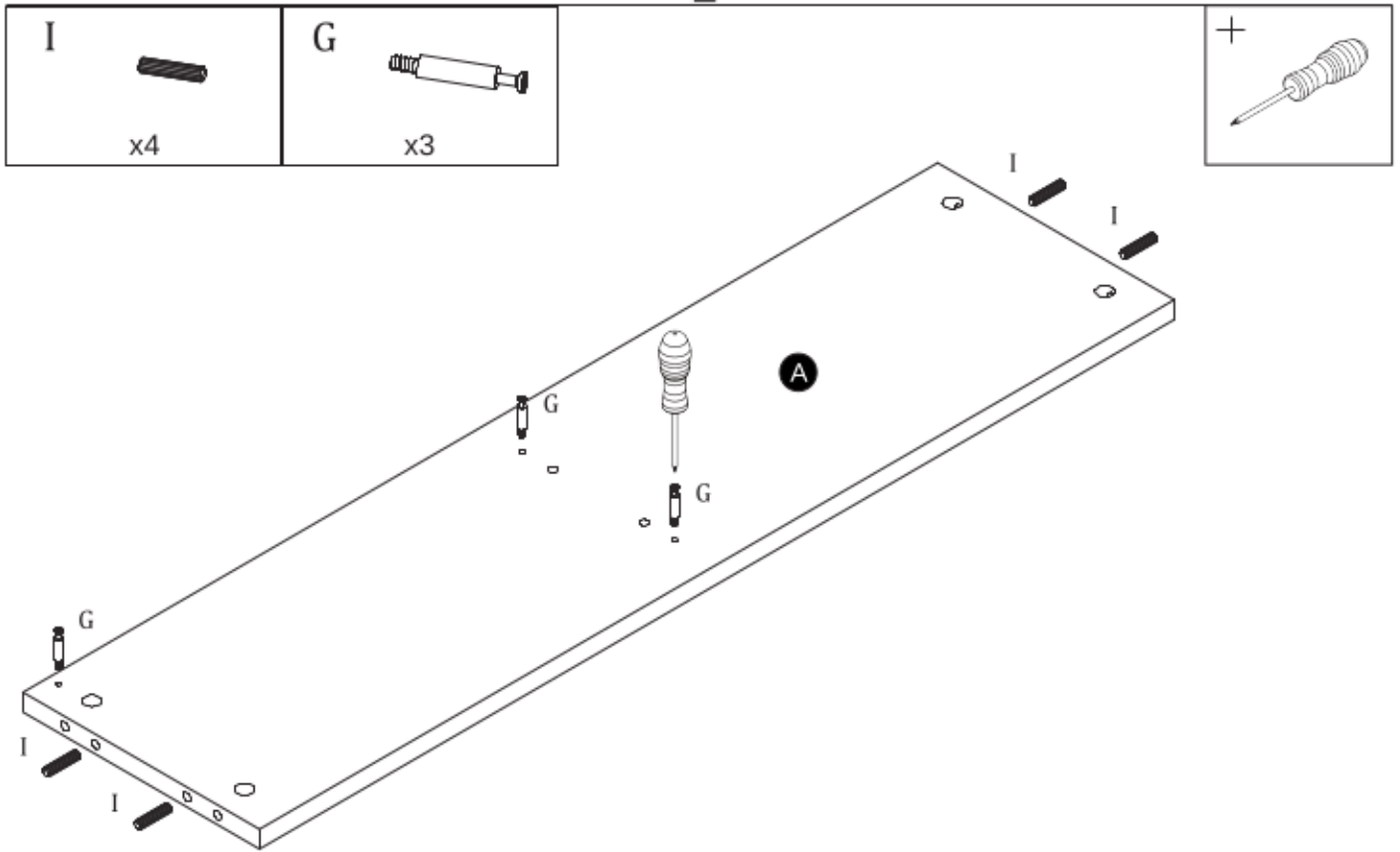
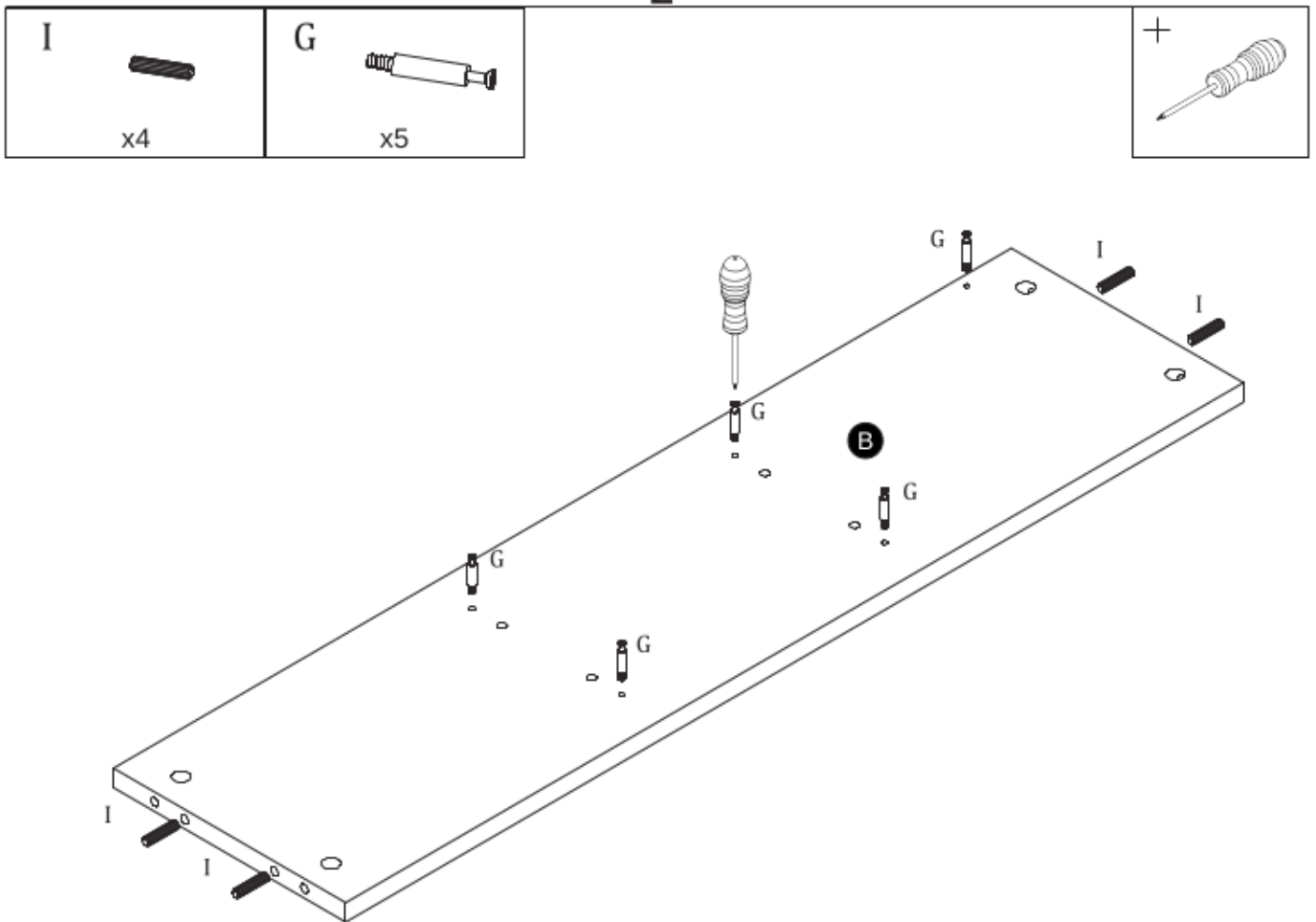


<p>I</p>  <p>Ø8x35mm x28</p>	<p>G</p>  <p>x32</p>	<p>H</p>  <p>x32</p>	<p>K</p>  <p>x32</p>	
<p>N</p>  <p>x4</p>	<p>J</p>  <p>x4</p>	<p>K2</p>  <p>x4</p>	<p>K1</p>  <p>x1</p>	<p>F1</p>  <p>x2</p>

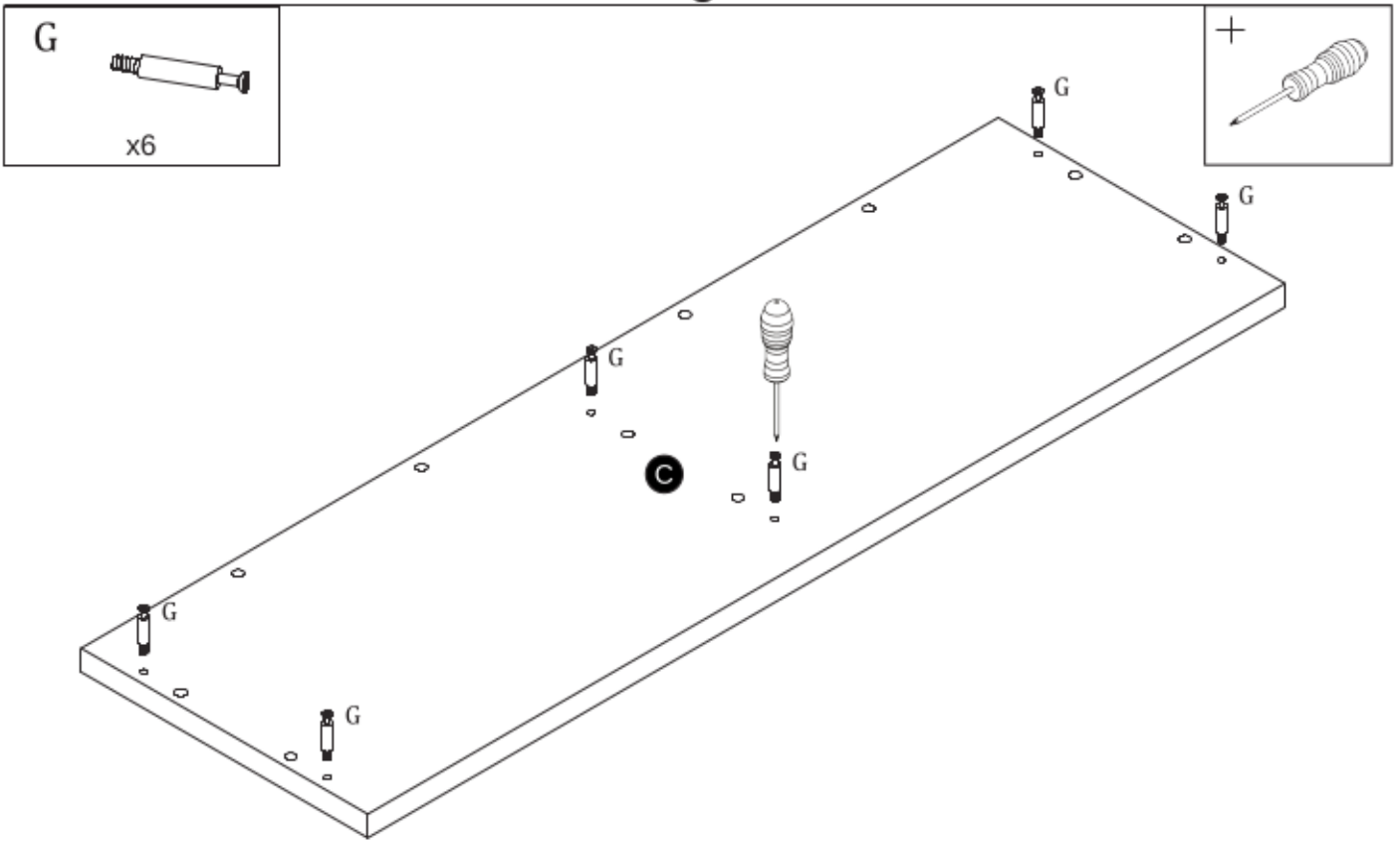
1



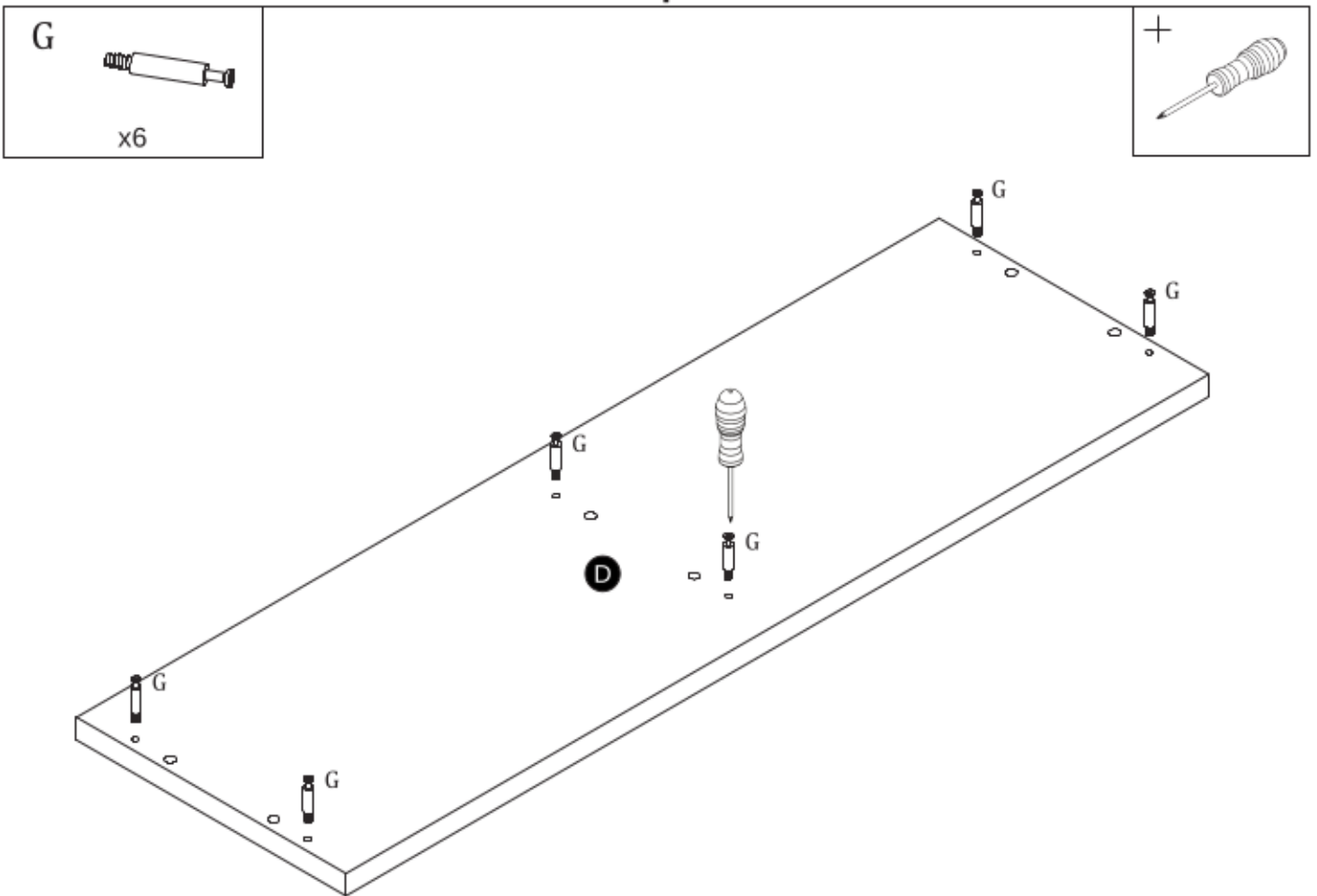
2



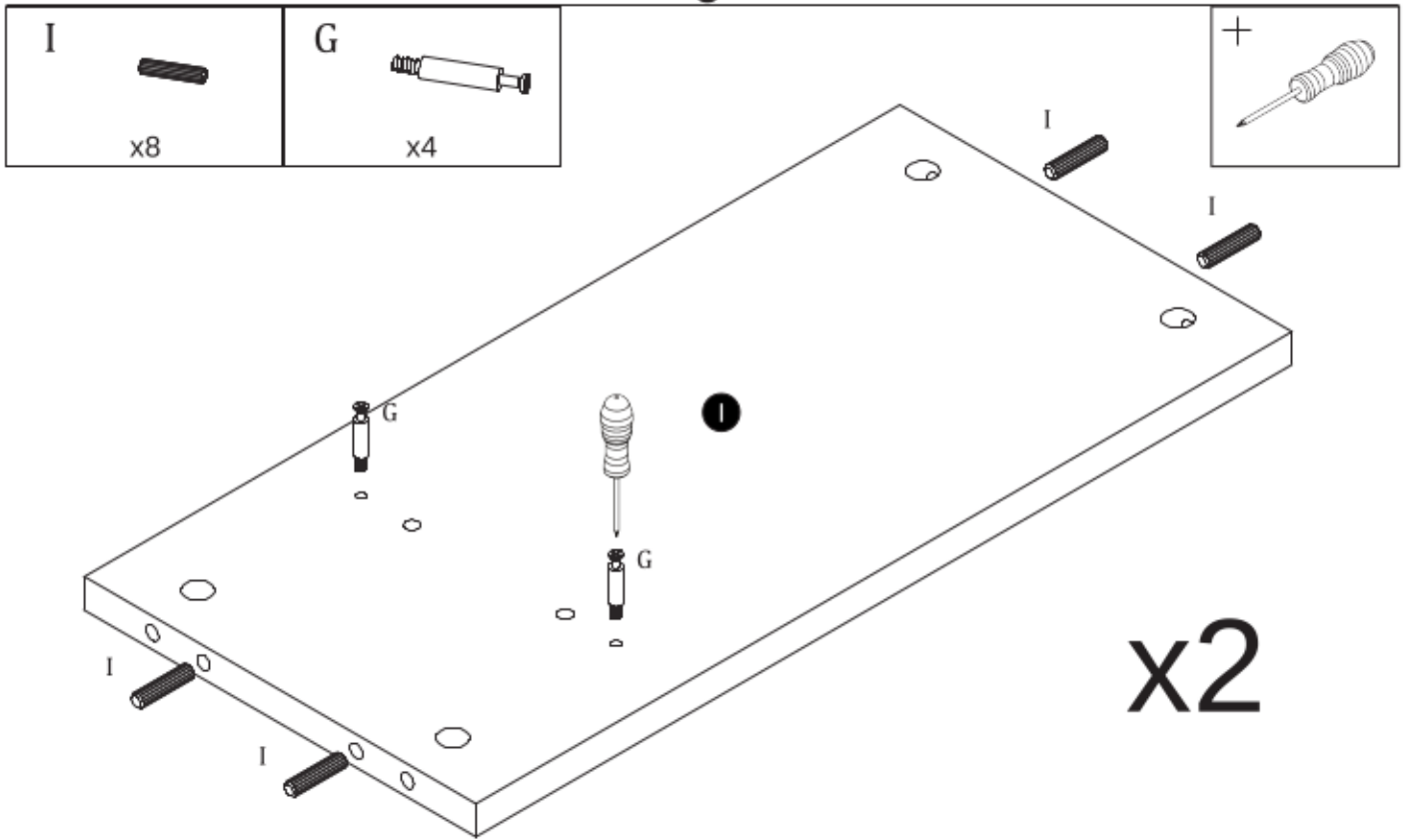
3



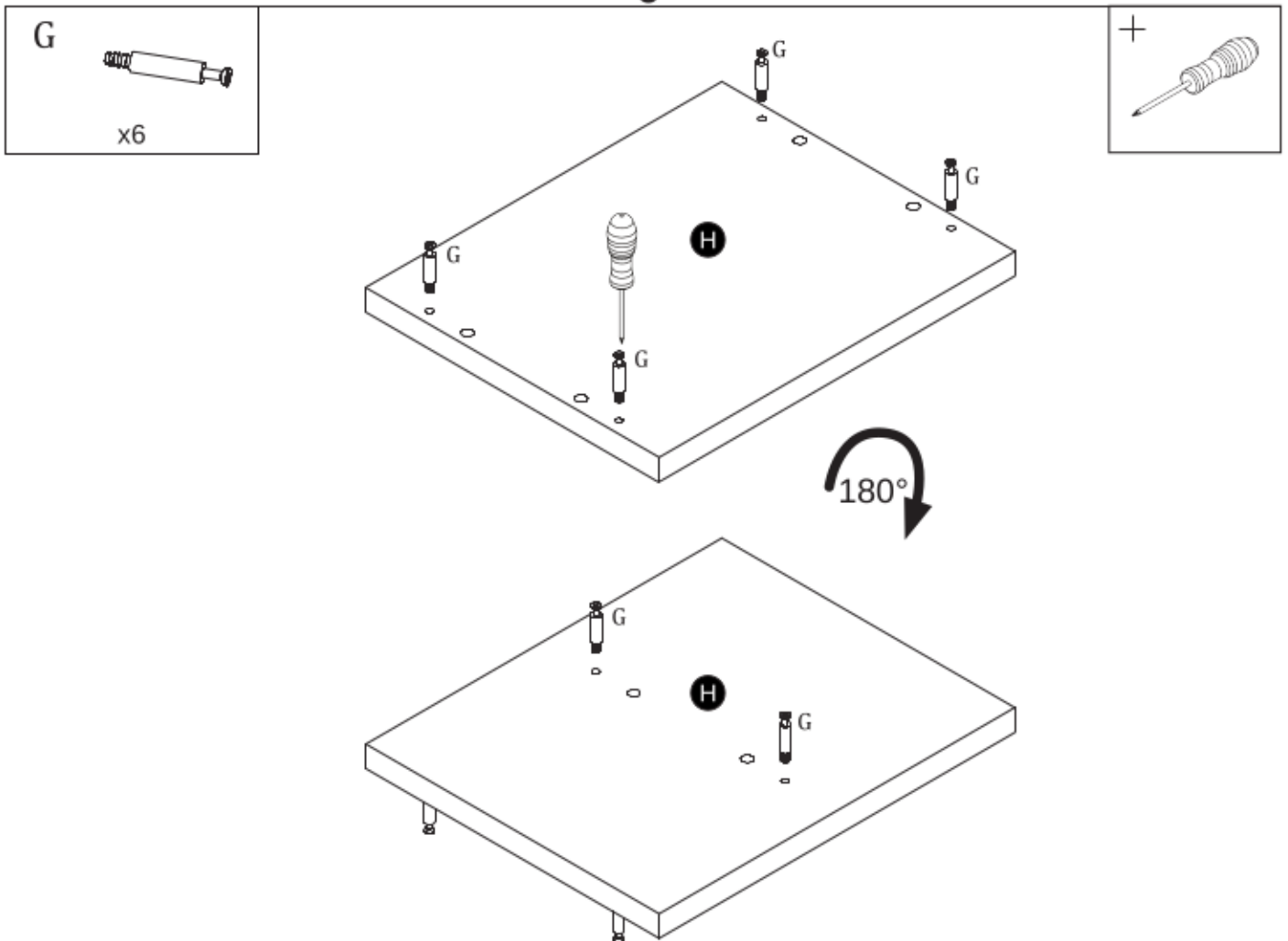
4



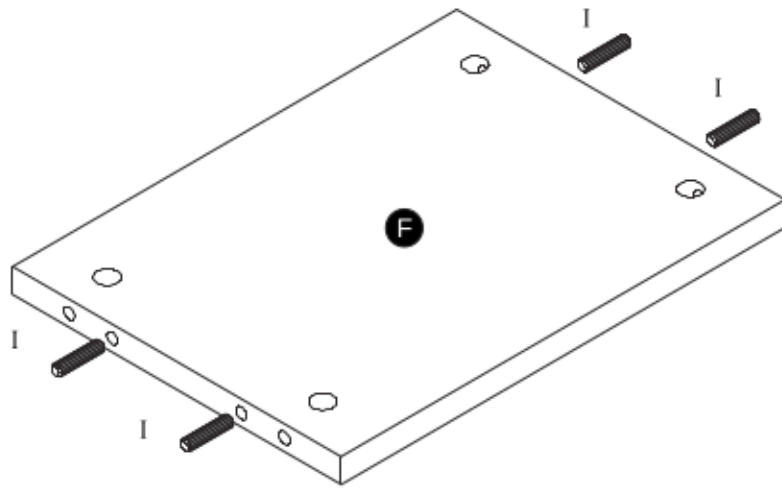
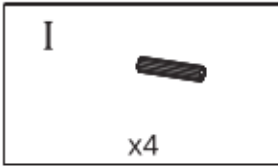
5



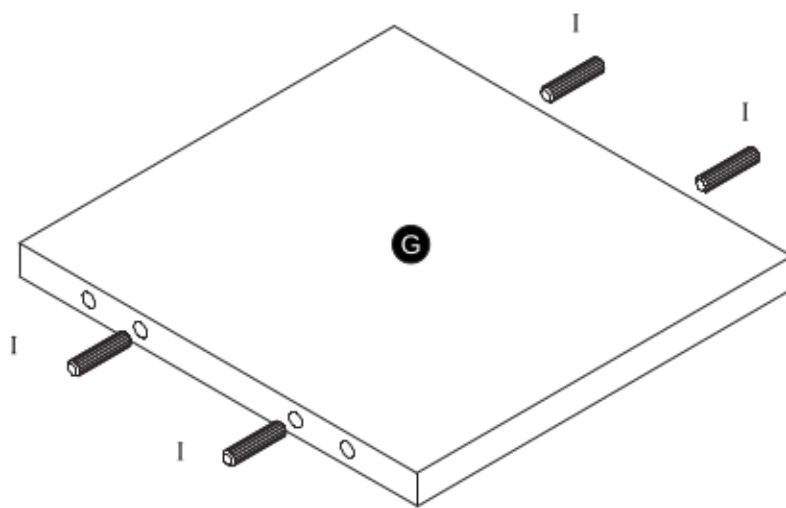
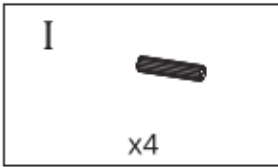
6



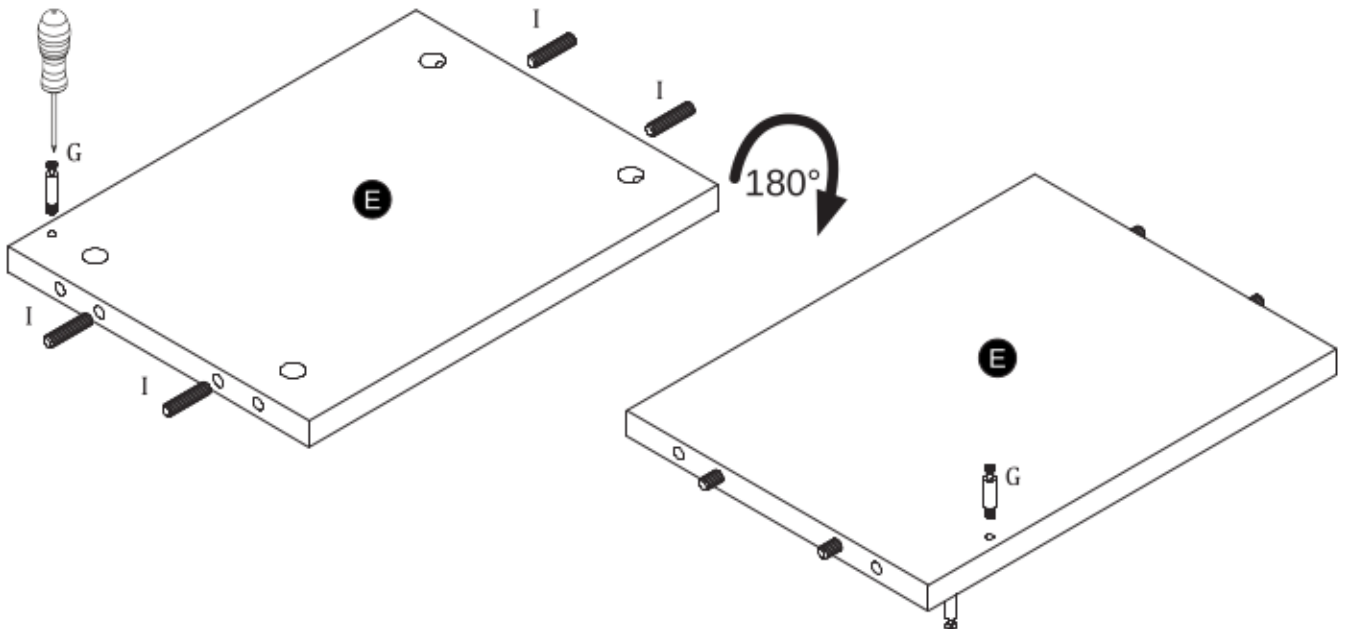
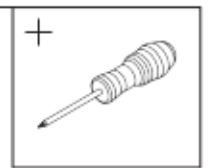
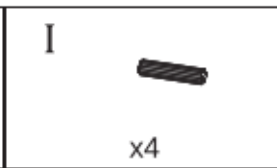
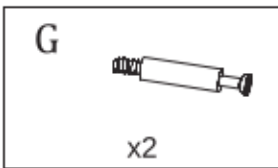
7



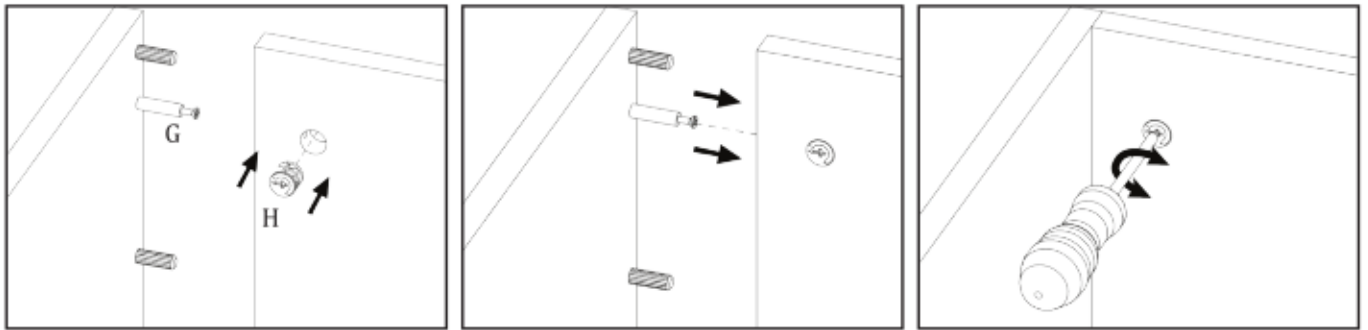
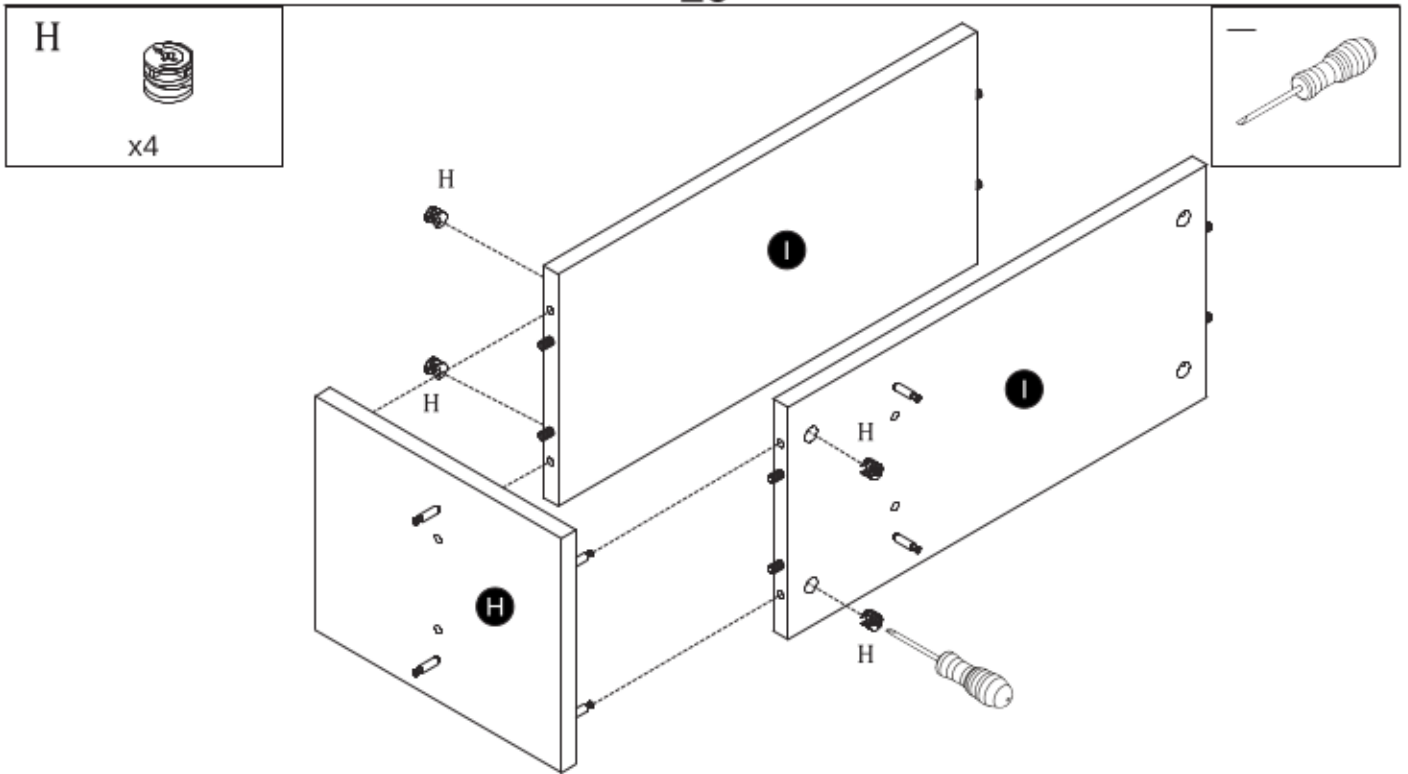
8



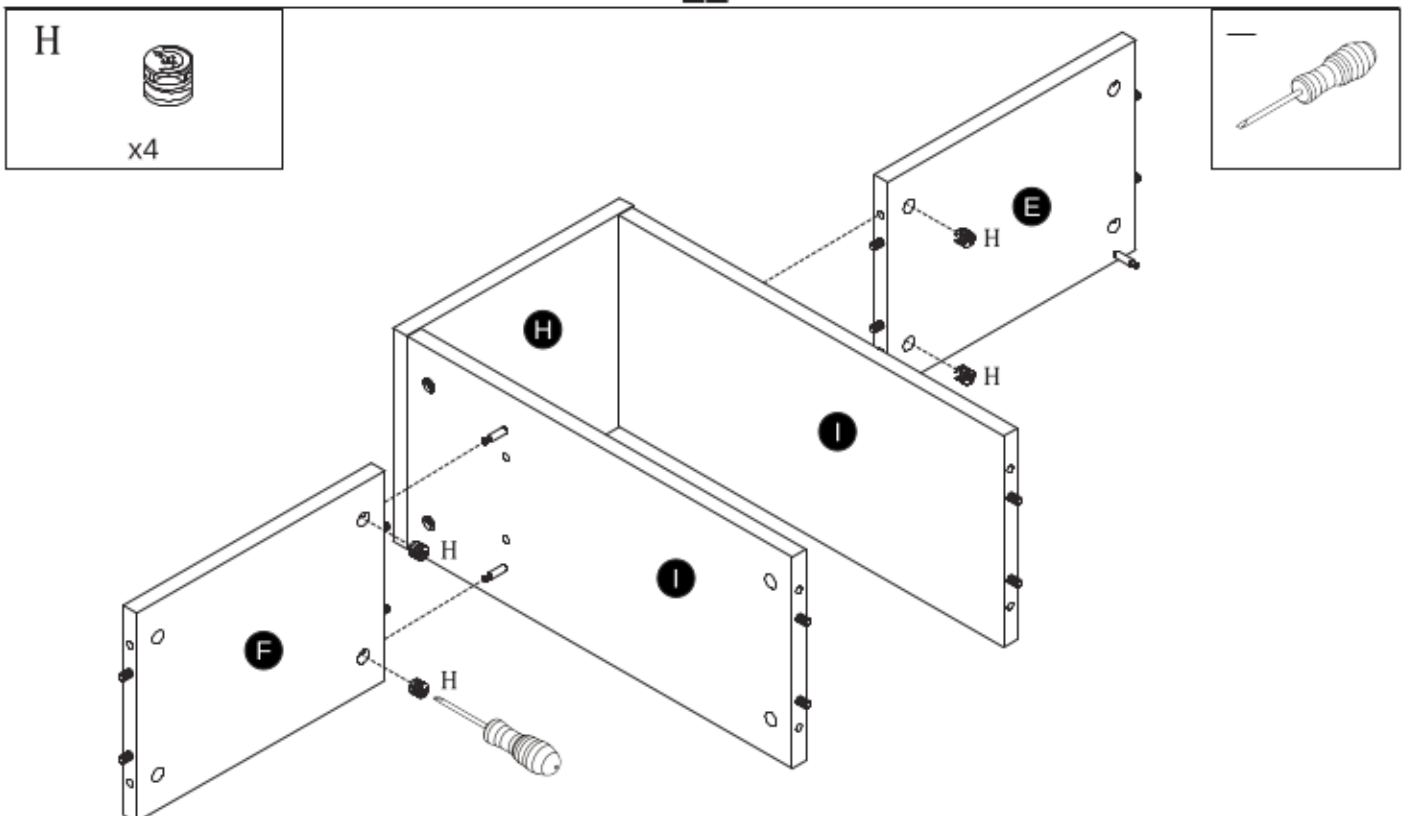
9



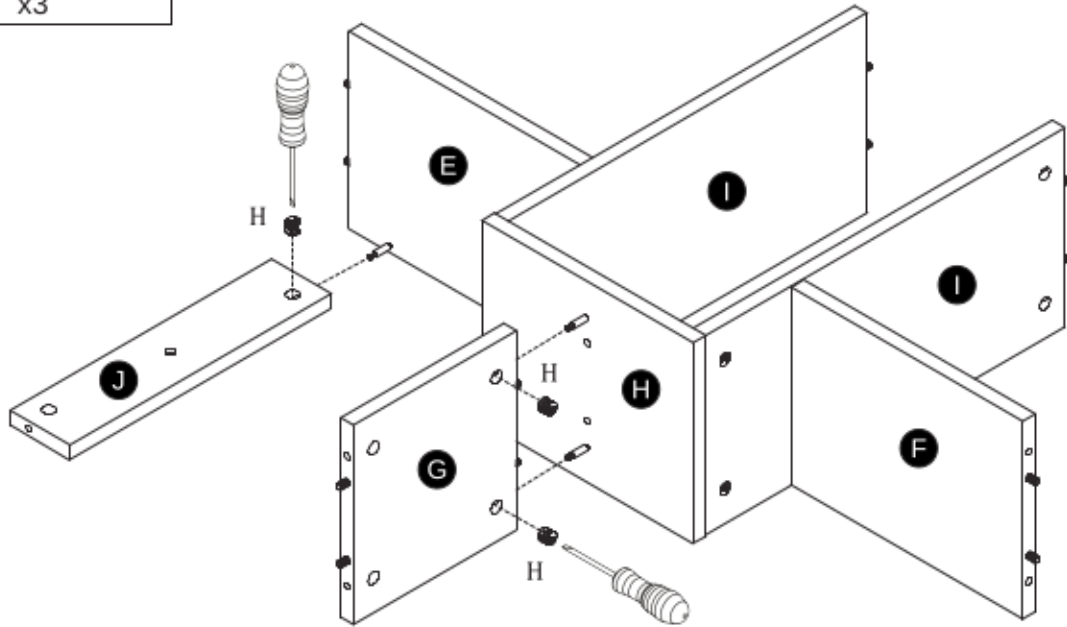
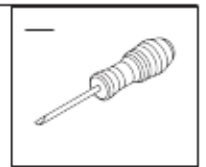
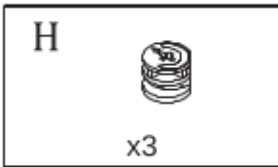
10



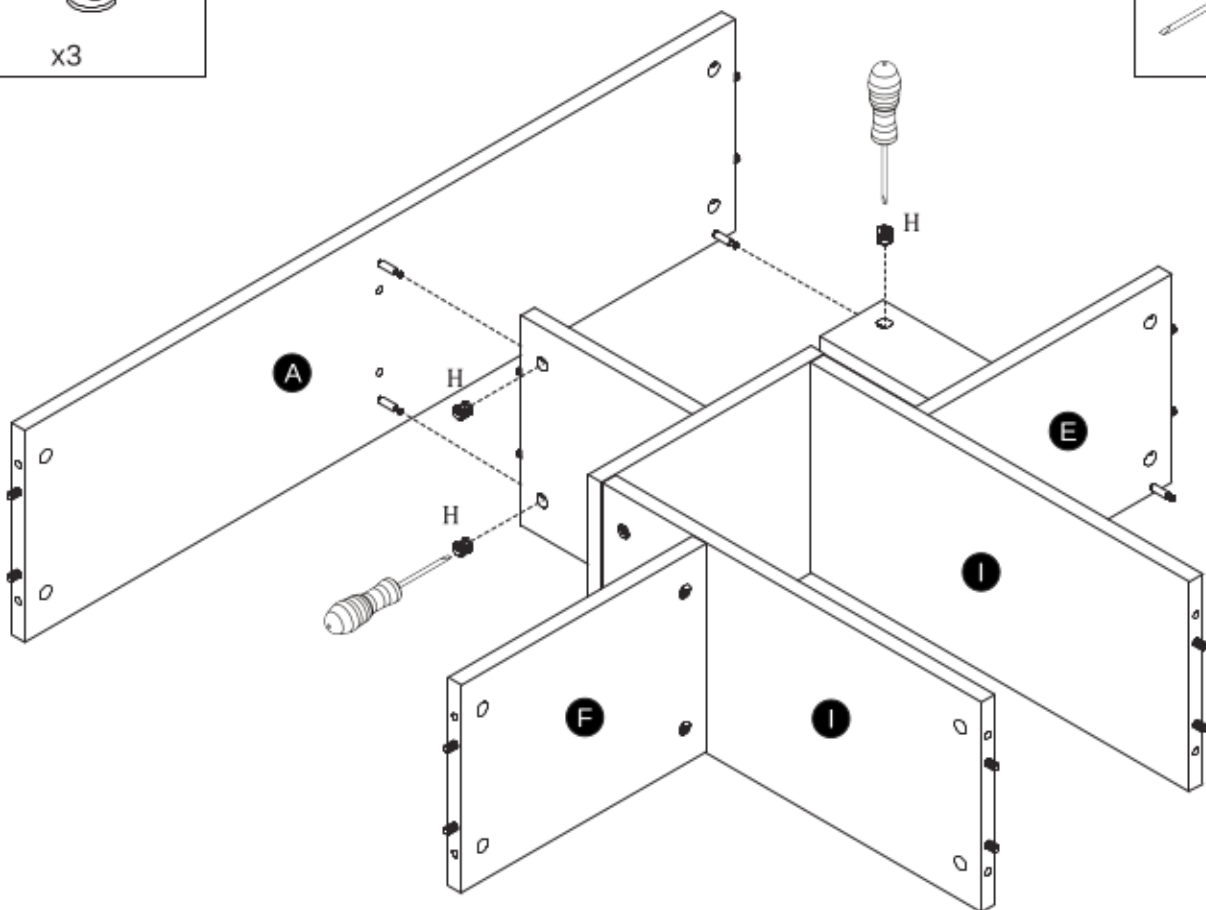
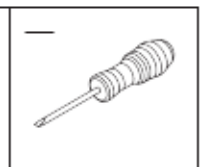
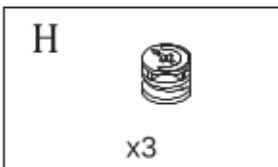
11



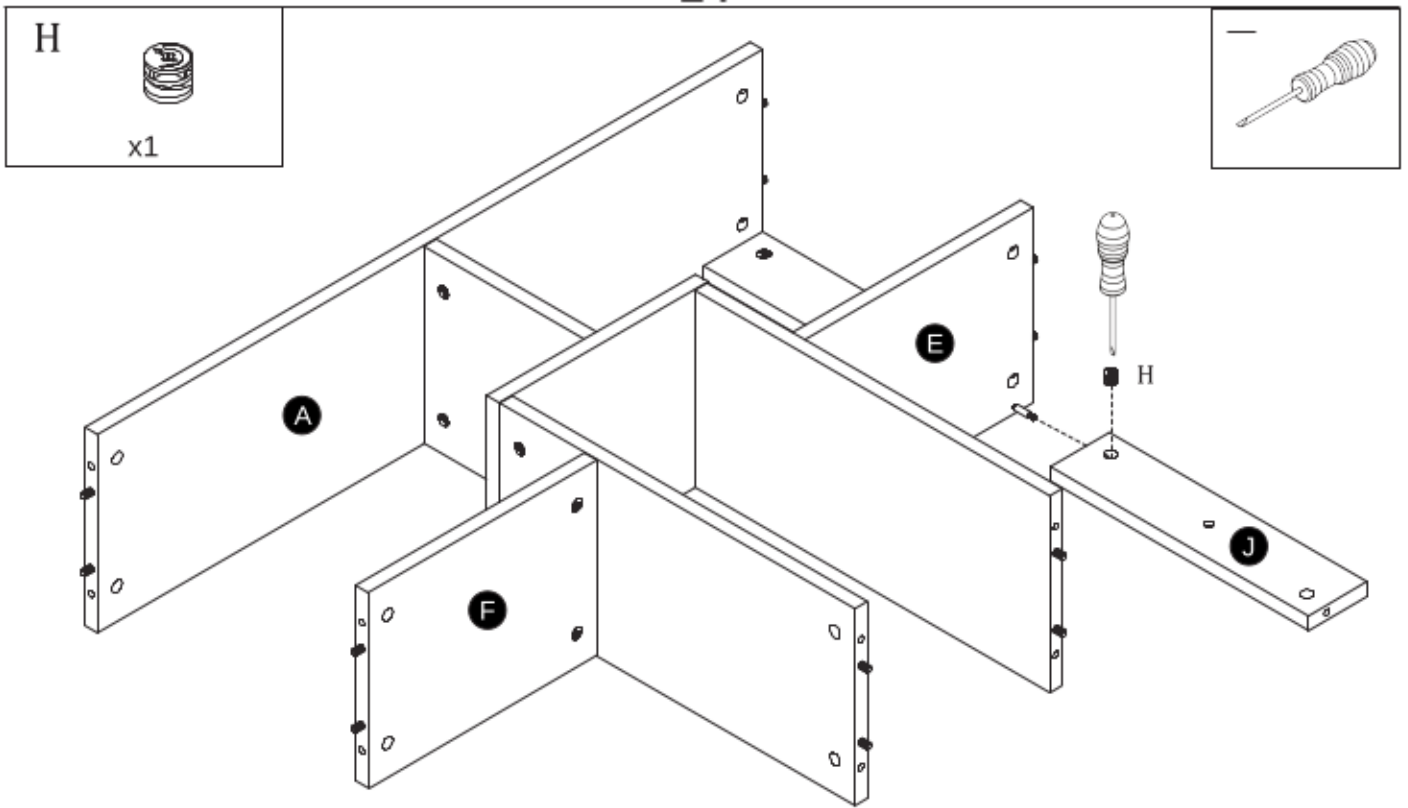
12



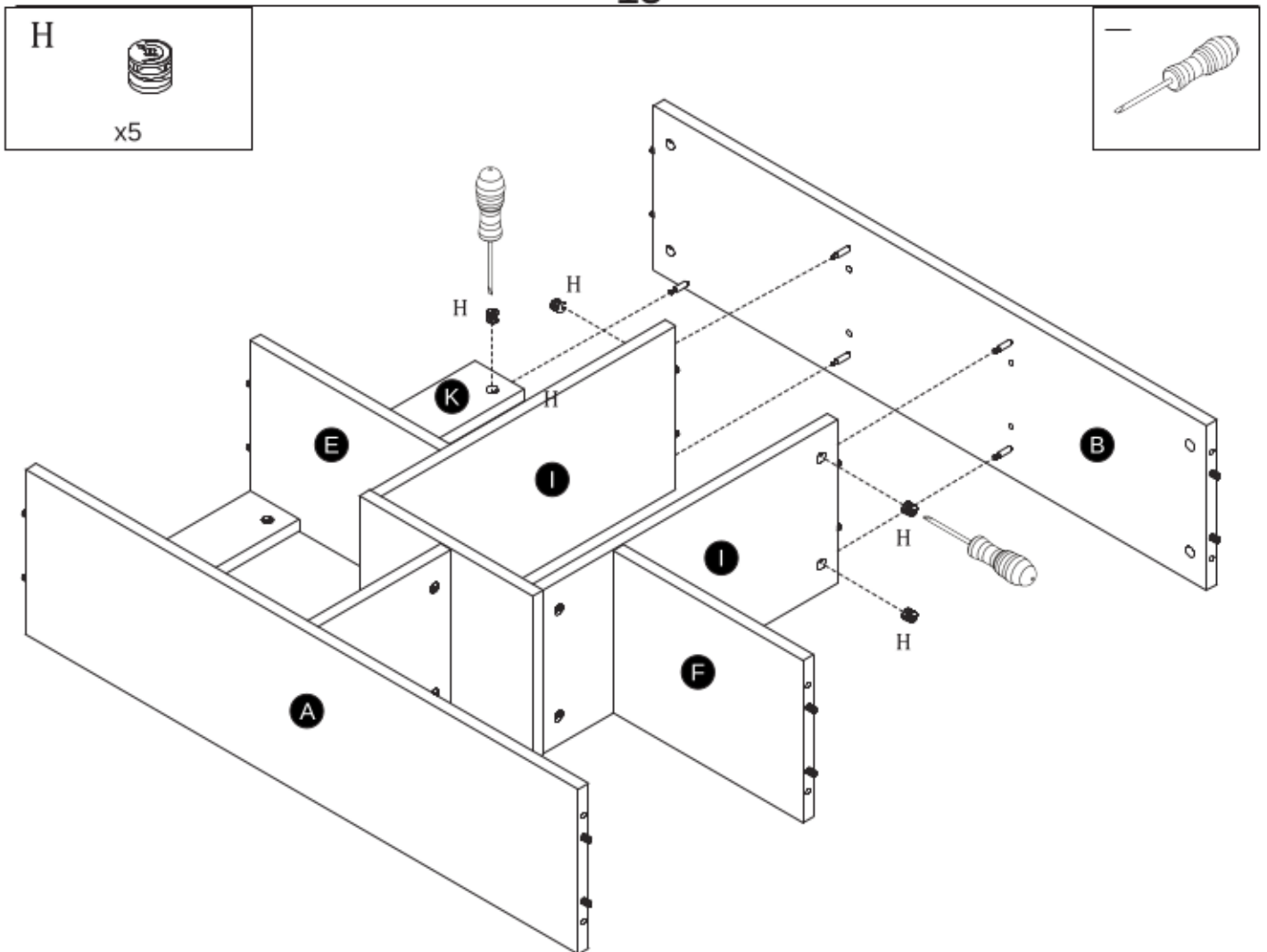
13






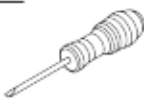
14

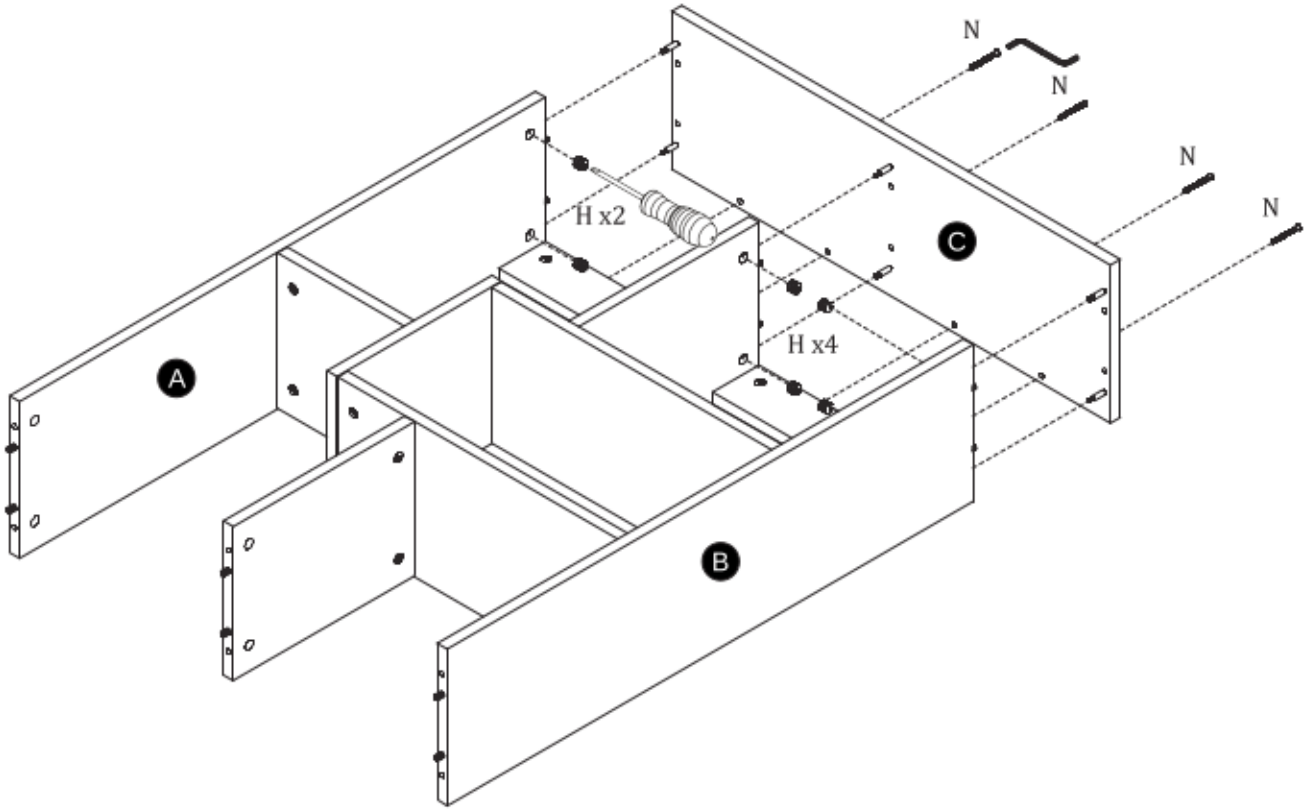


15

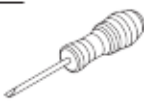


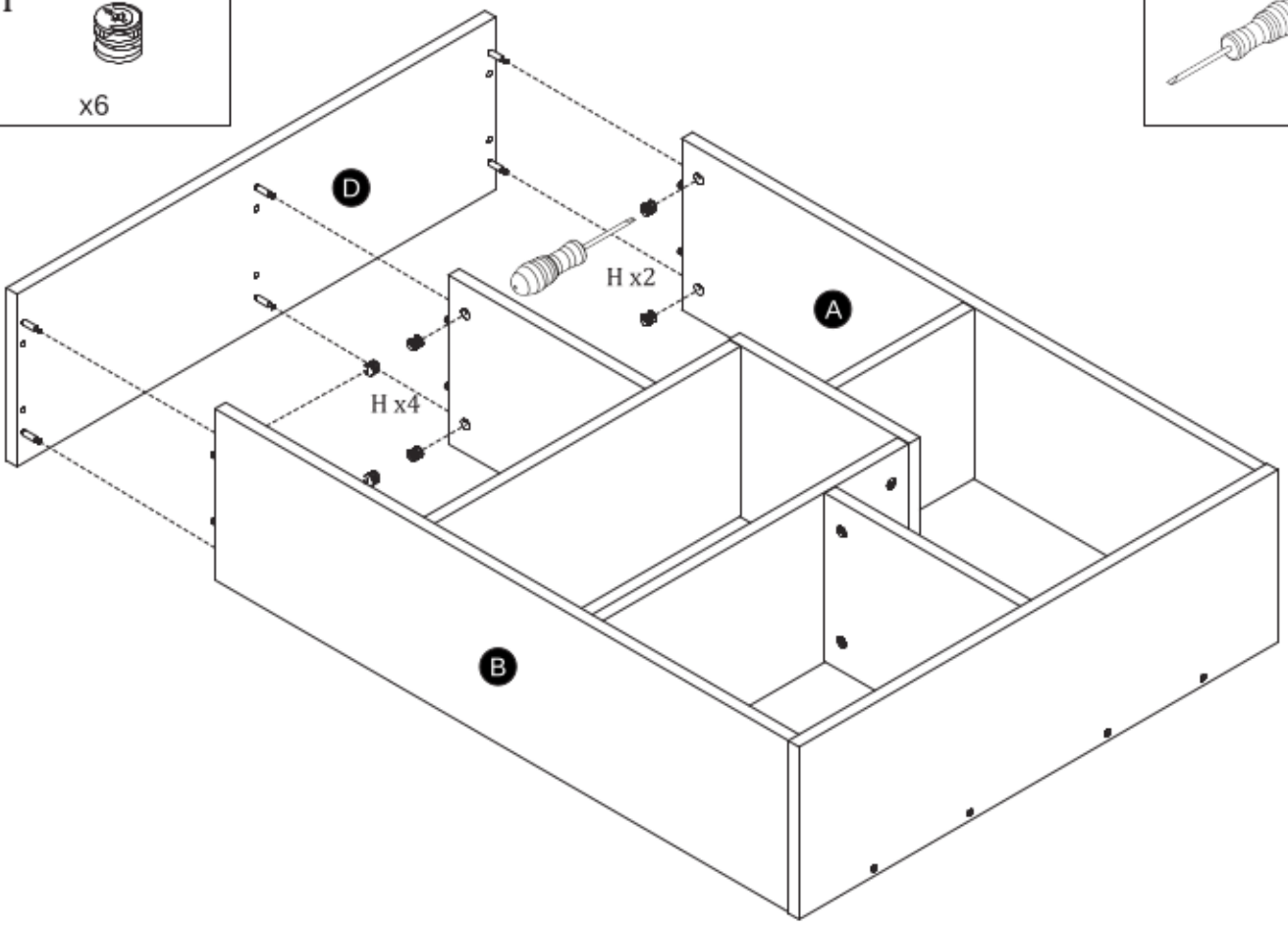
16

<p>H</p>  <p>x6</p>	<p>N</p>  <p>x4</p>	<p>K1</p>  <p>x1</p>	
--	--	---	---



17

<p>H</p>  <p>x6</p>	
--	---



J  x4	K  x32	K2  x4	
--	---	---	---

