

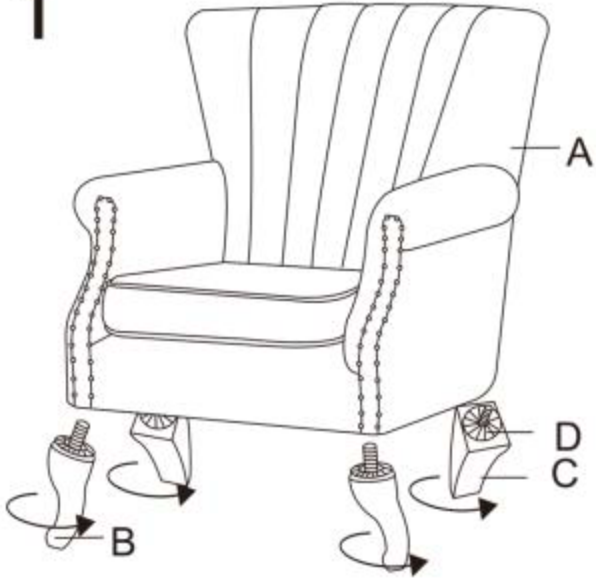
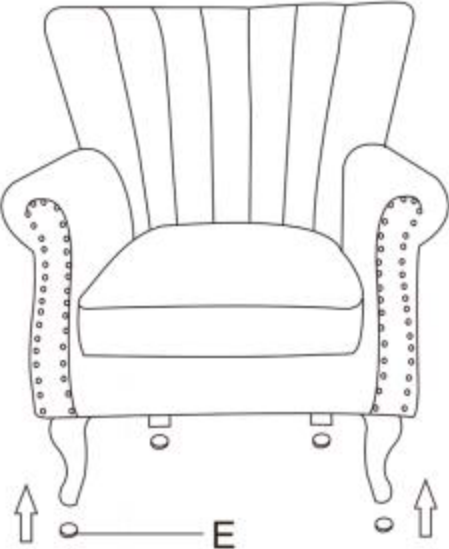


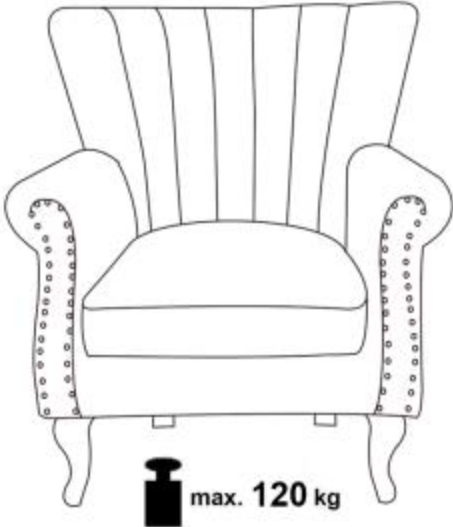


<p>A x 1</p> 	<p>D x 4</p> 	<p>1</p> 	<p>2</p> 
<p>B x 2</p> 	<p>E x 4</p> 	<p>3</p>  <p>max. 120 kg</p>	
<p>C x 2</p> 