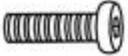


D	x5
	
M6x32mm	

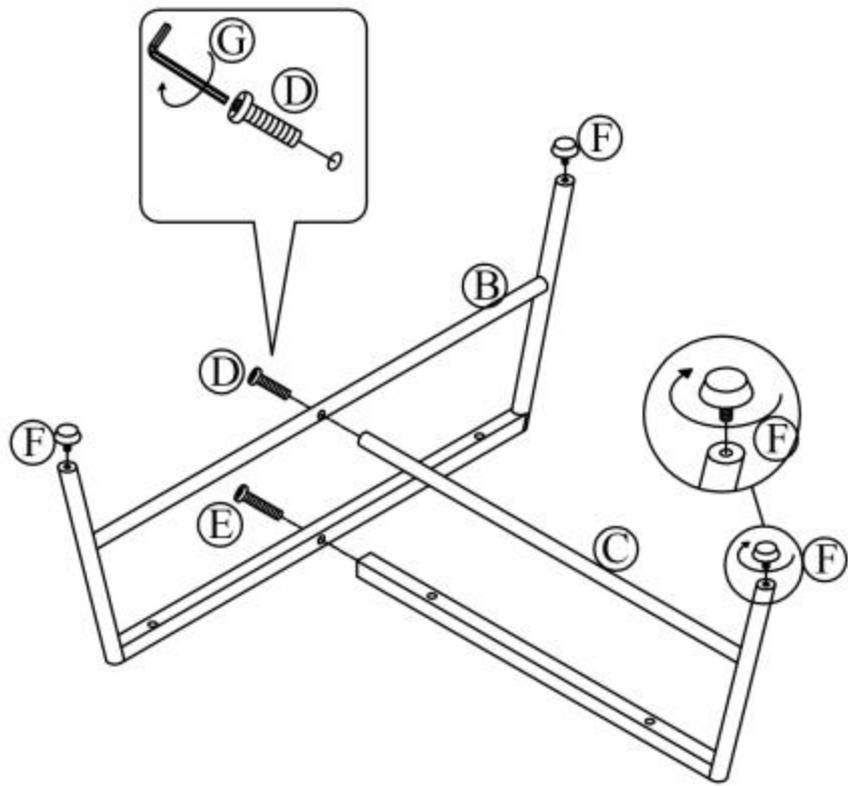
E	x1
	
M6x40mm	

F	x3
	

G	x1
	



1



2

