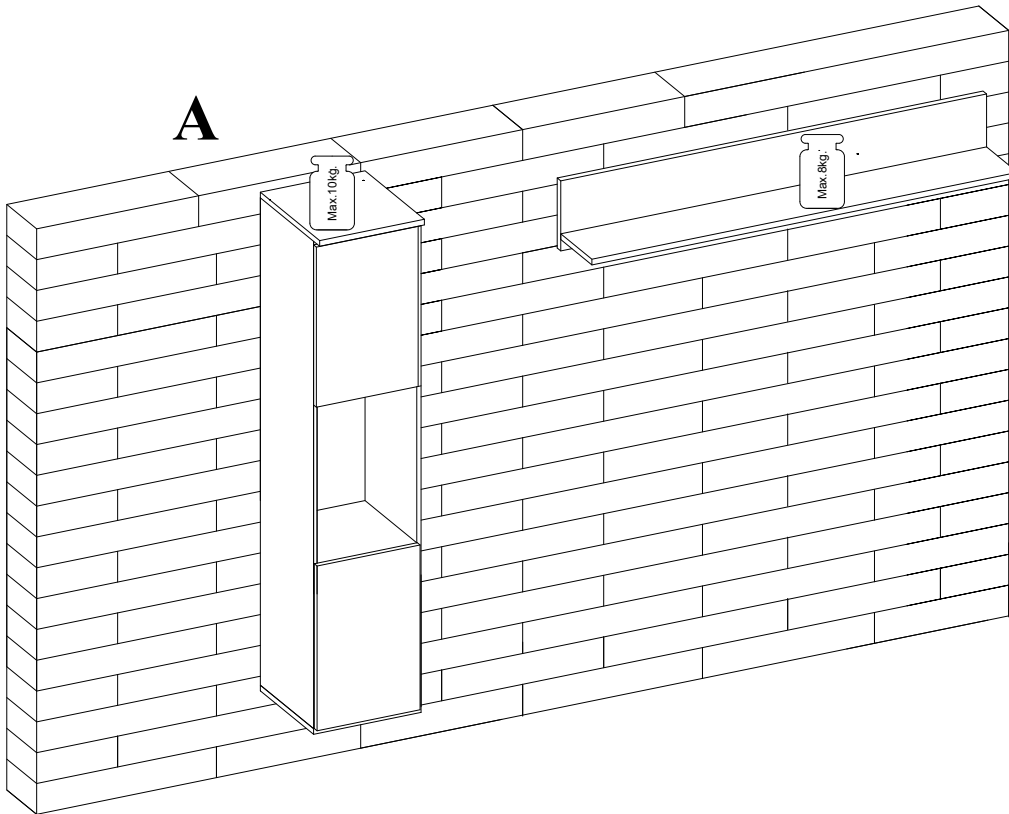
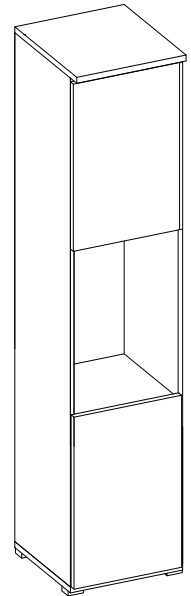
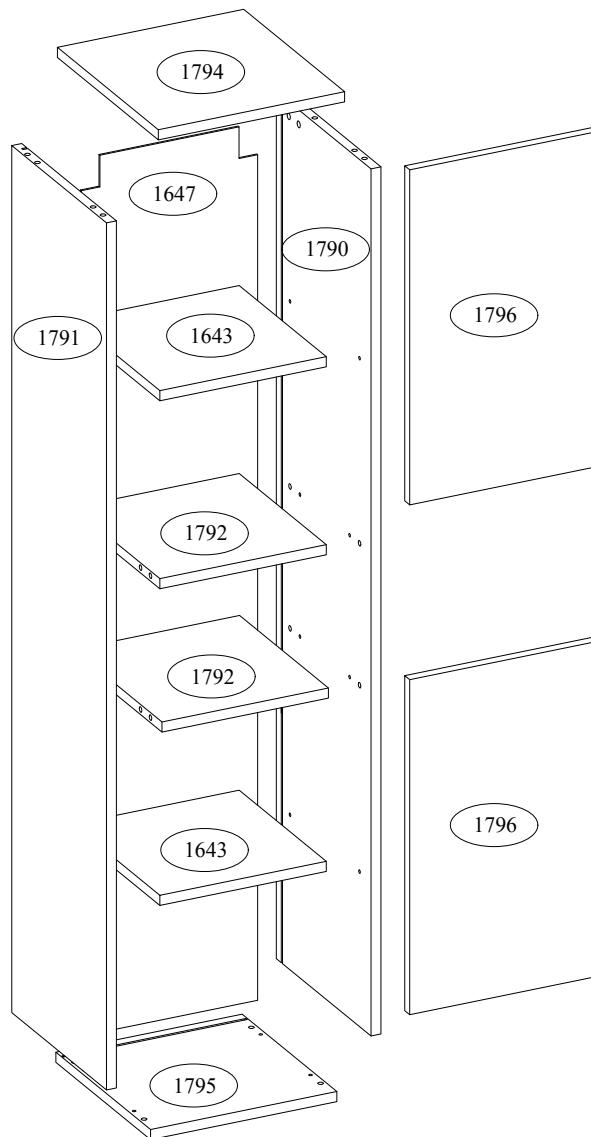
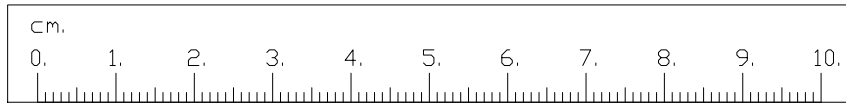
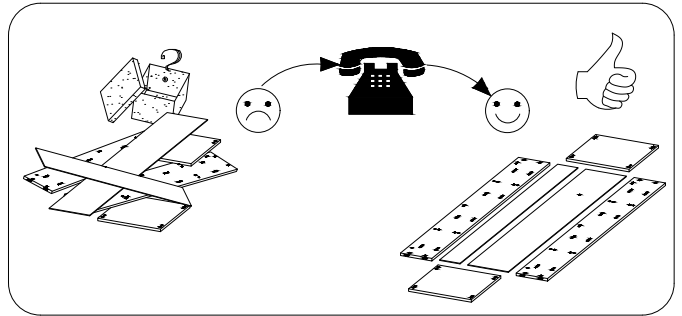
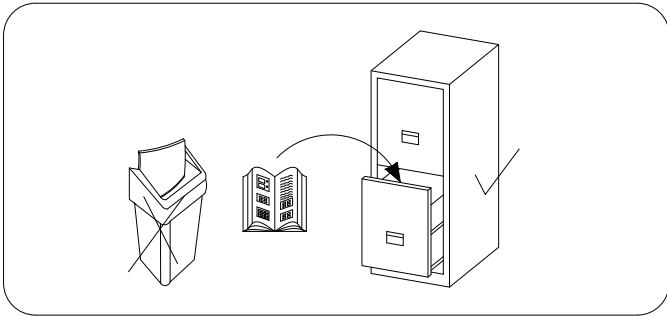


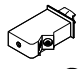





A



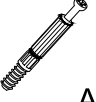


B





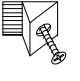
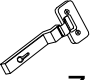



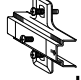


	4.0x30 			8.0x30 	
G	H1	A	S	D	B
2	4	8	8	8	8




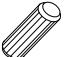




II - III

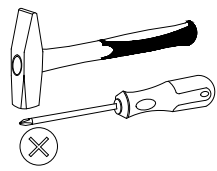
	8.0x30 	
A	D	B
8	8	8

IV - XIII

\varnothing -10.0 	6.3X13 					4.0x25 	
KR	F	I	Z	X	M	G	L
1	8	8	4	16	4	8	4

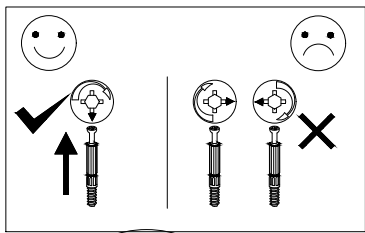
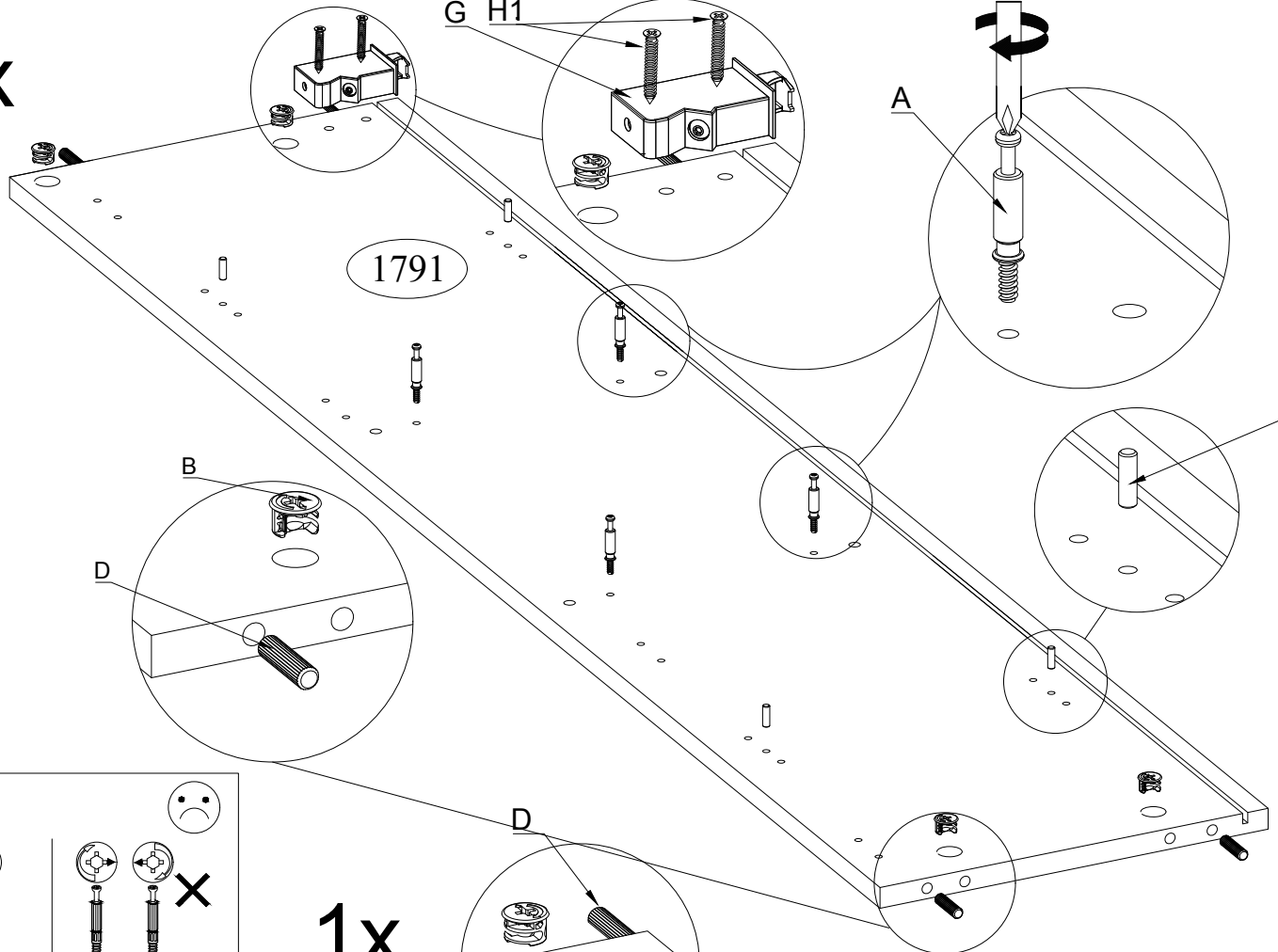
XIV - XVII

			8.0x30 	3.0x13 		\varnothing -10.0 	
O	Q	Y1	D	H1	BP	KR	MS
5	1	2	4	4	2	1	1

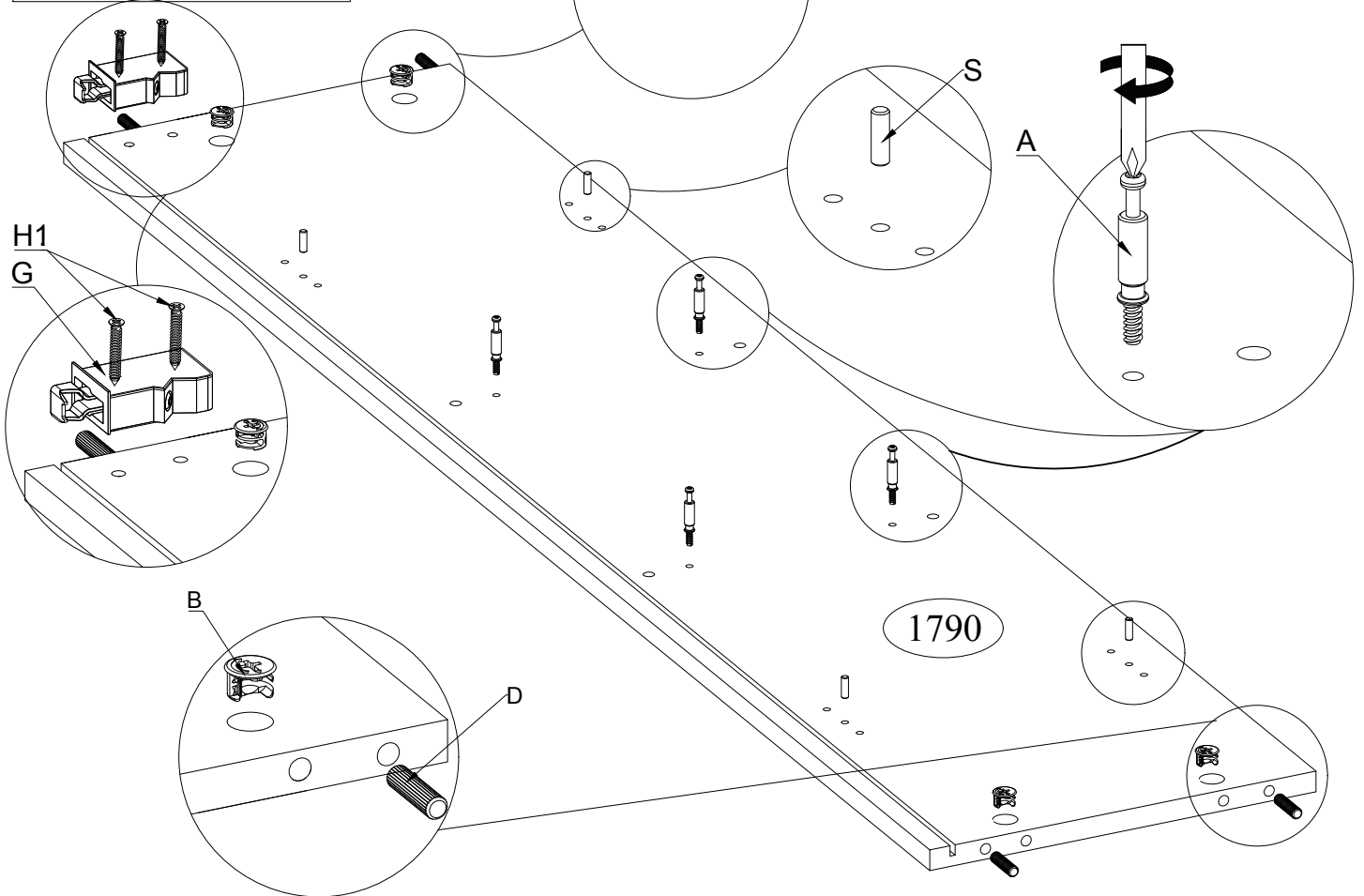


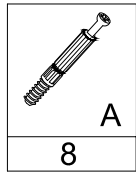
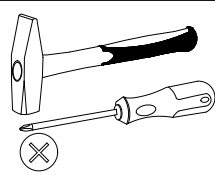
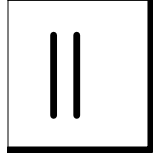
	4.0x30 			8.0x30 	
G	H1	A	S	D	B
2	4	8	8	8	8

1x

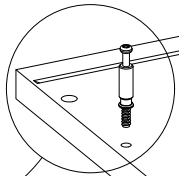
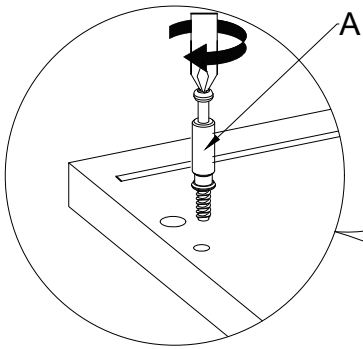


1x



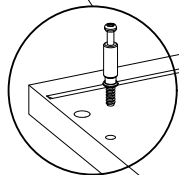


1x

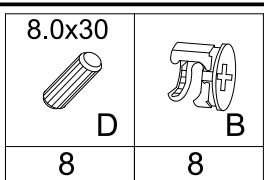
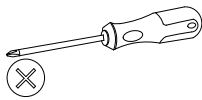
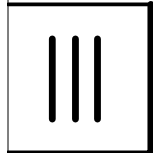


1794

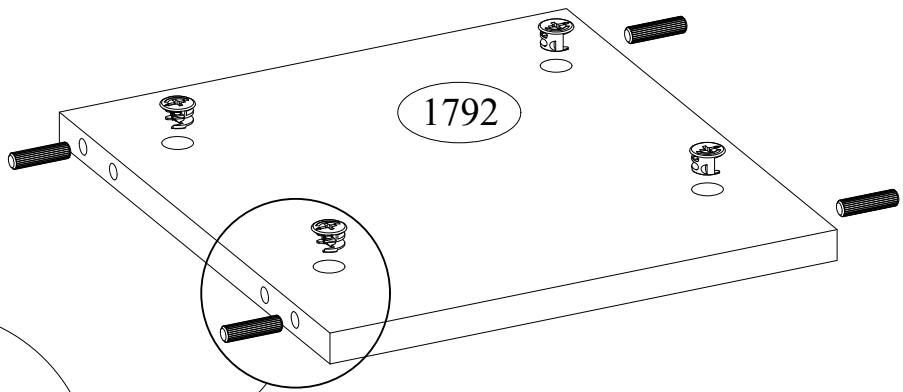
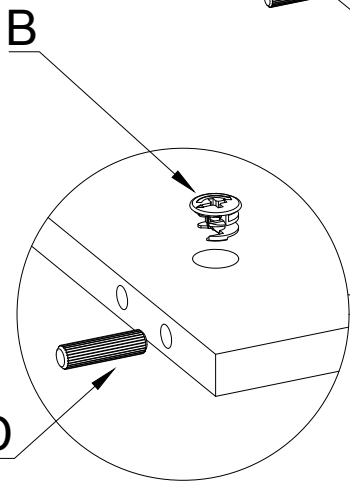
1x



1795

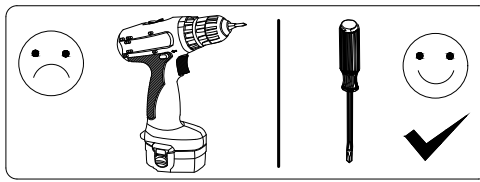
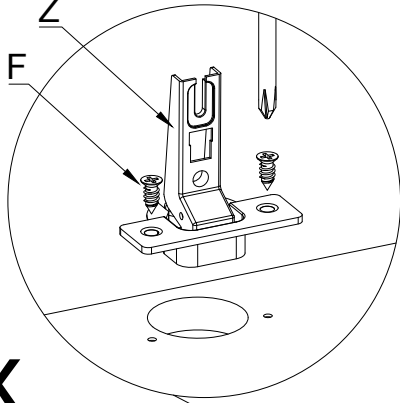
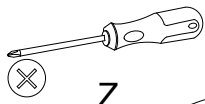


2x



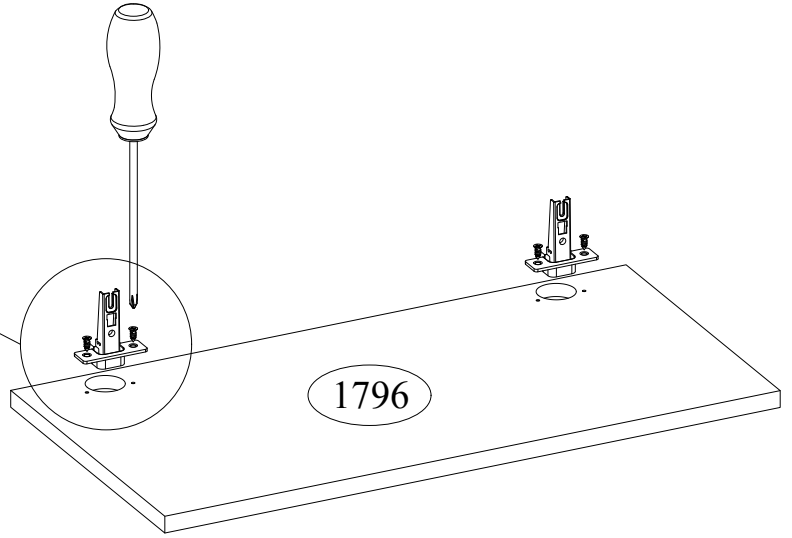
1792

IV

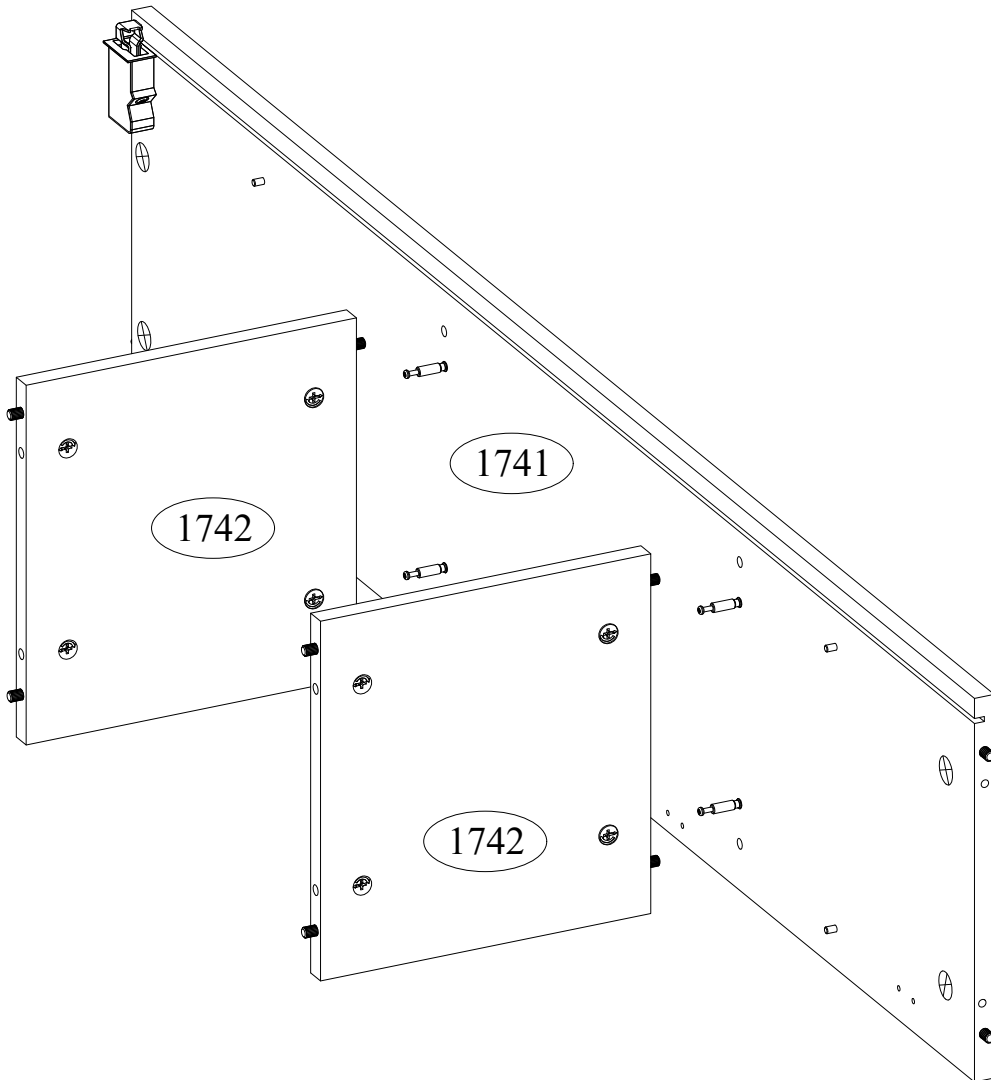
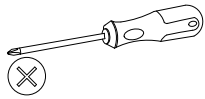


6.3X13		
	F	Z
8		4

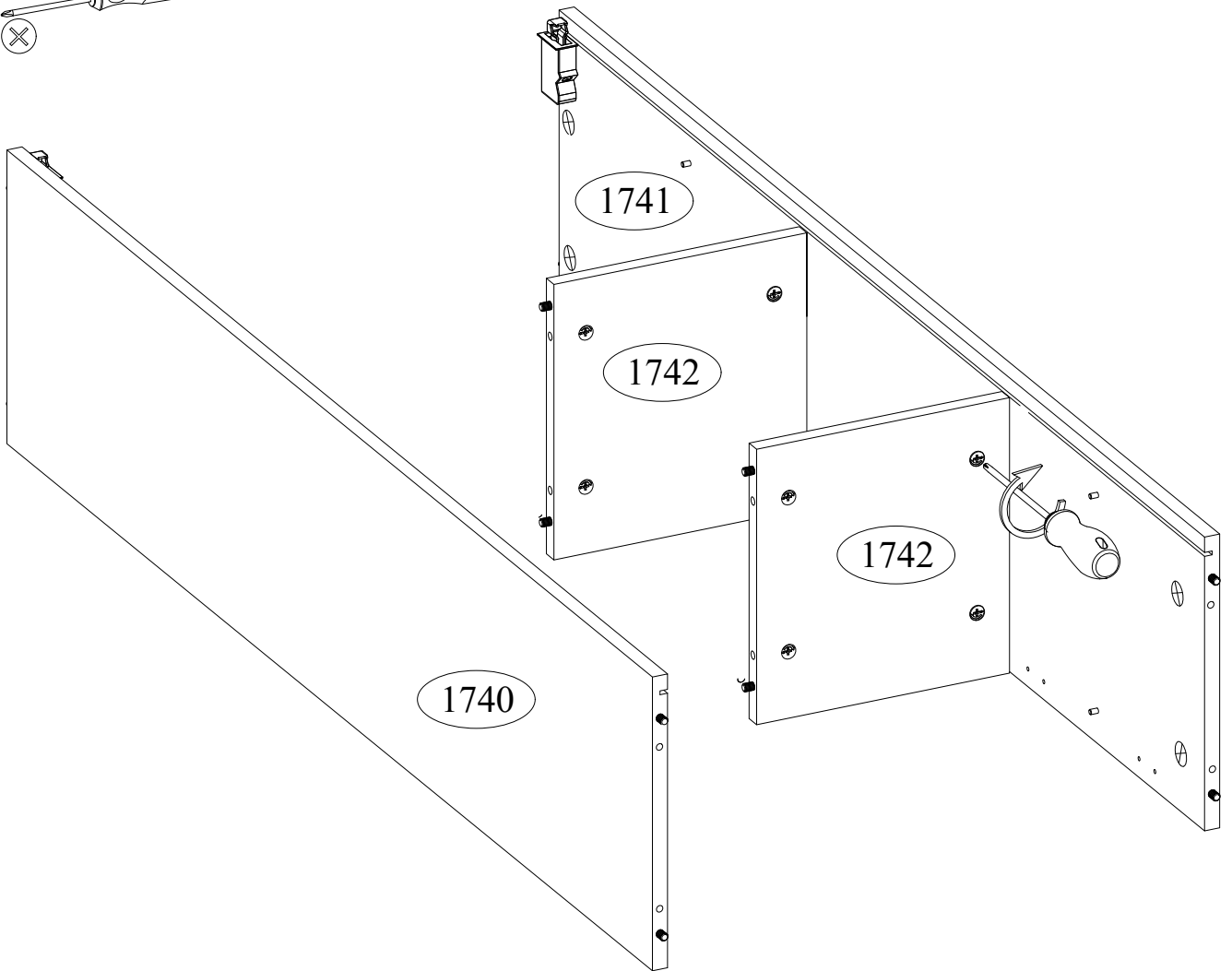
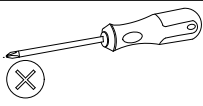
2 x



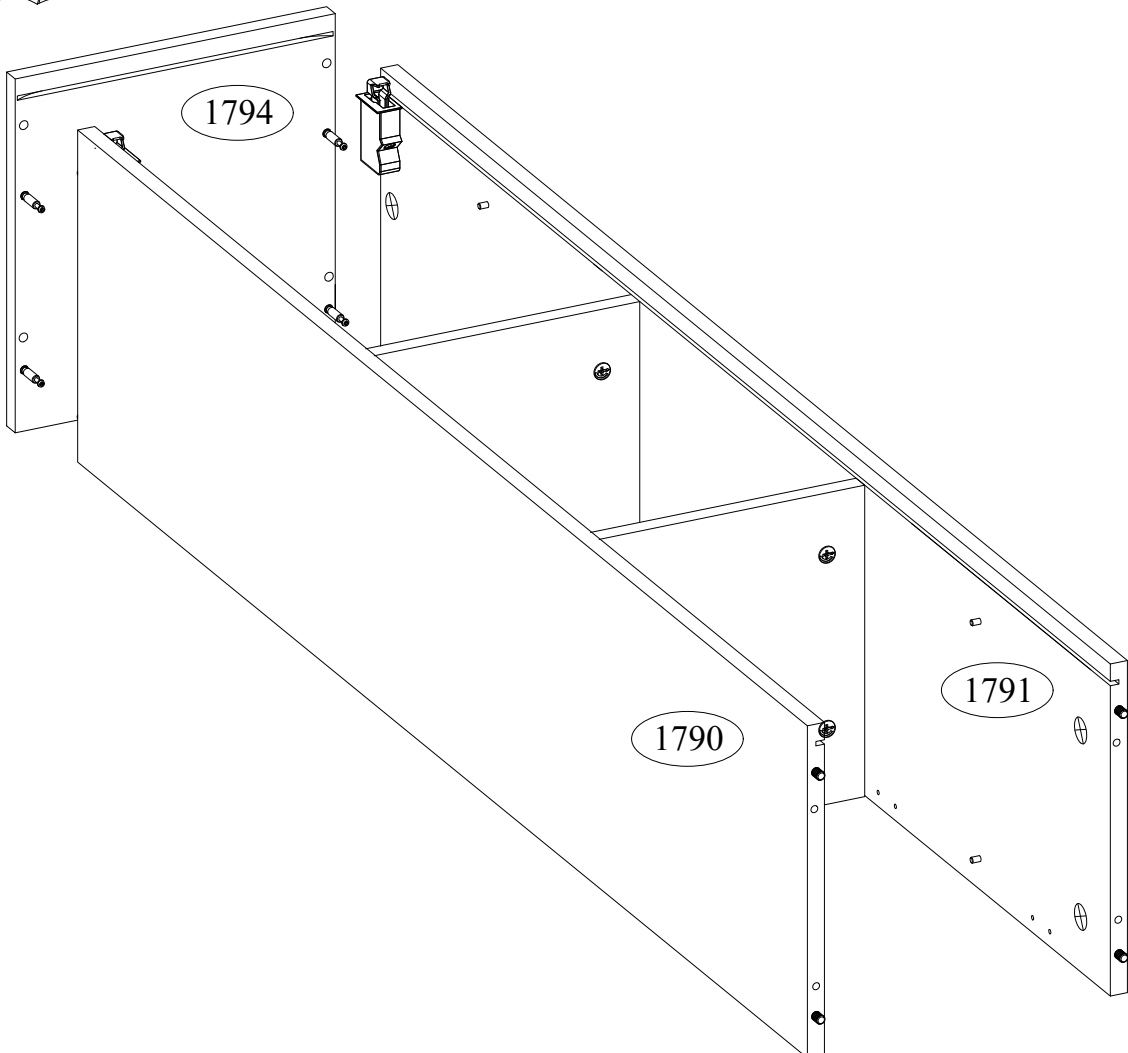
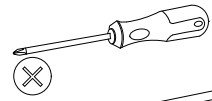
V



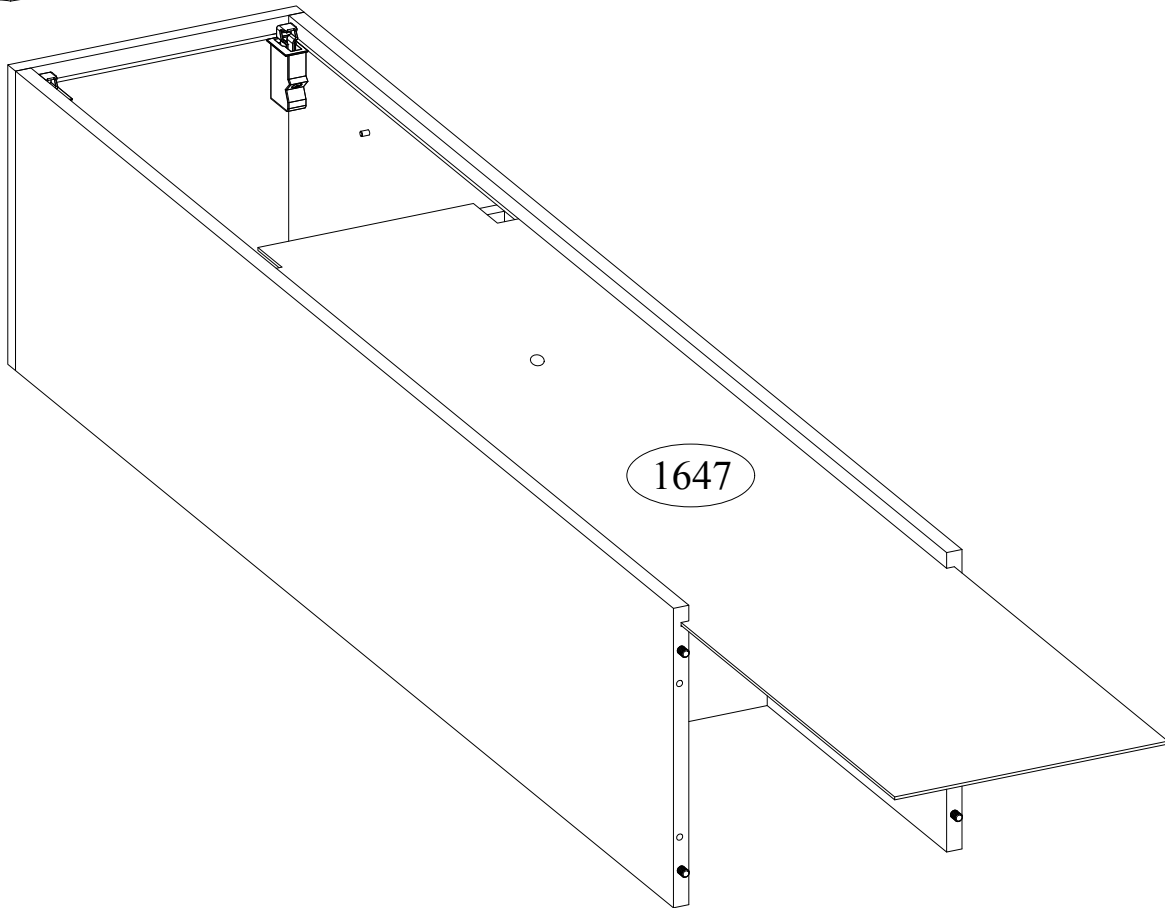
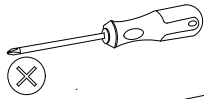
VI



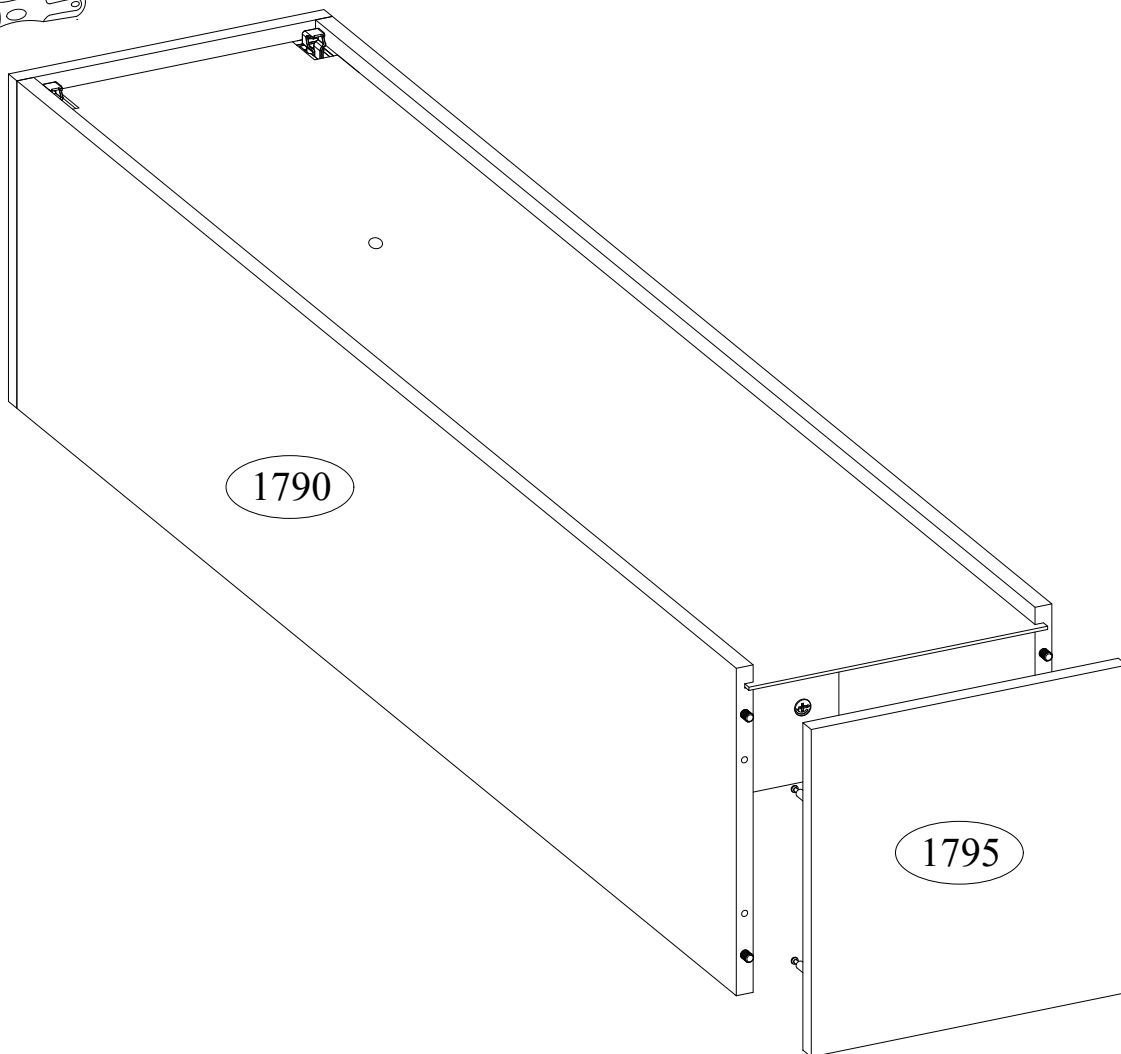
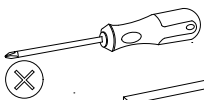
VII





VIII

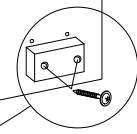
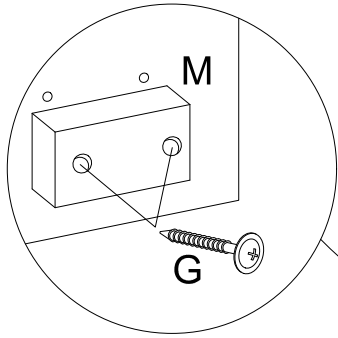
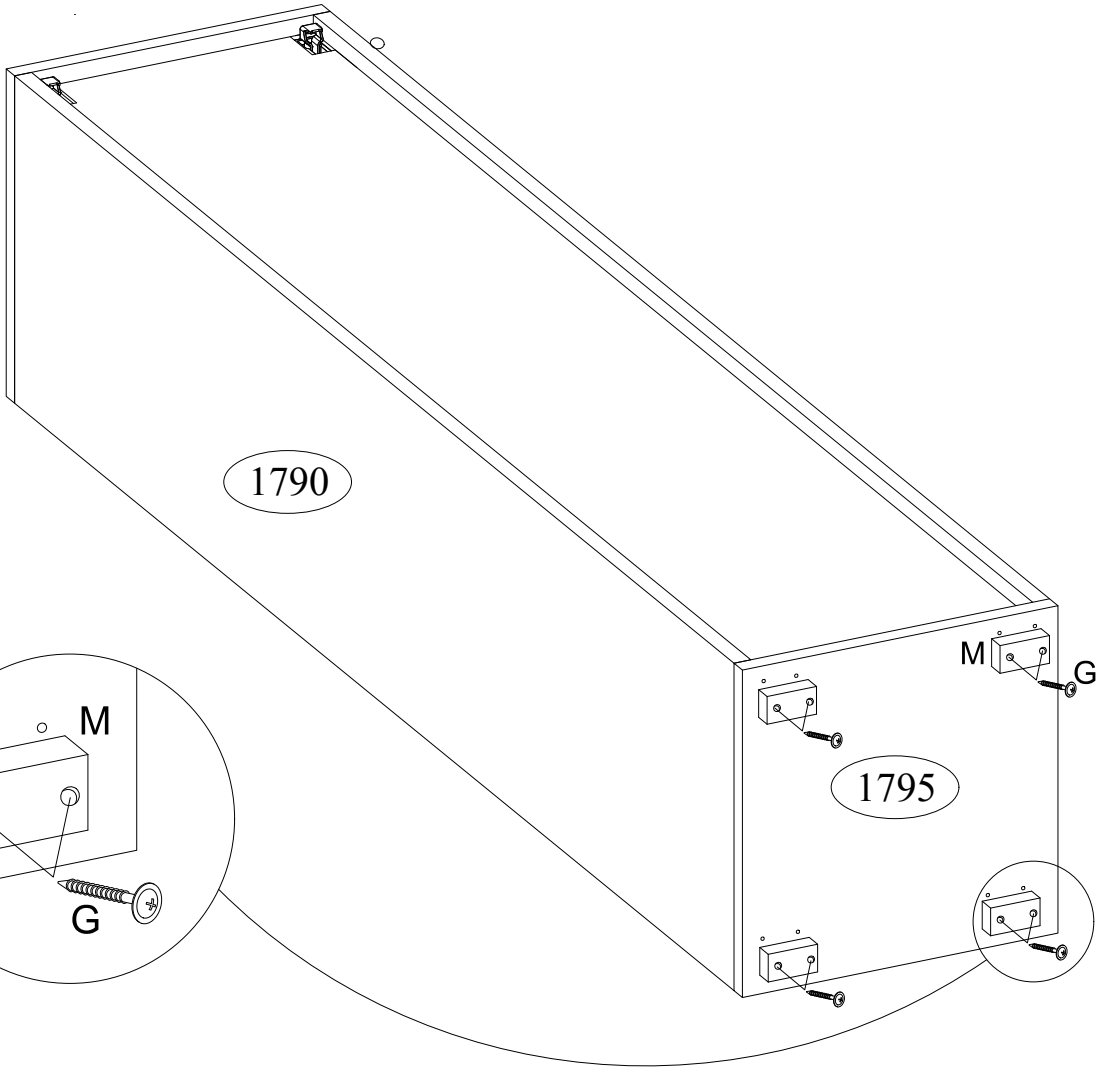


IX

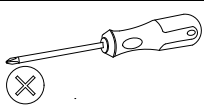


X

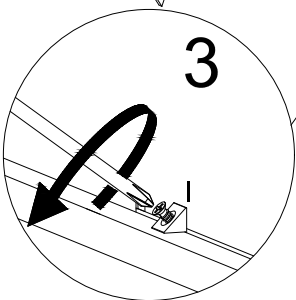
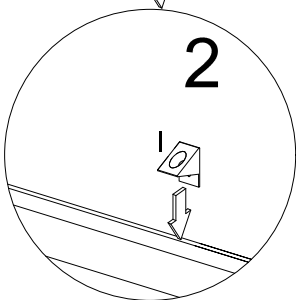
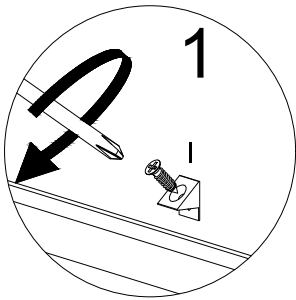
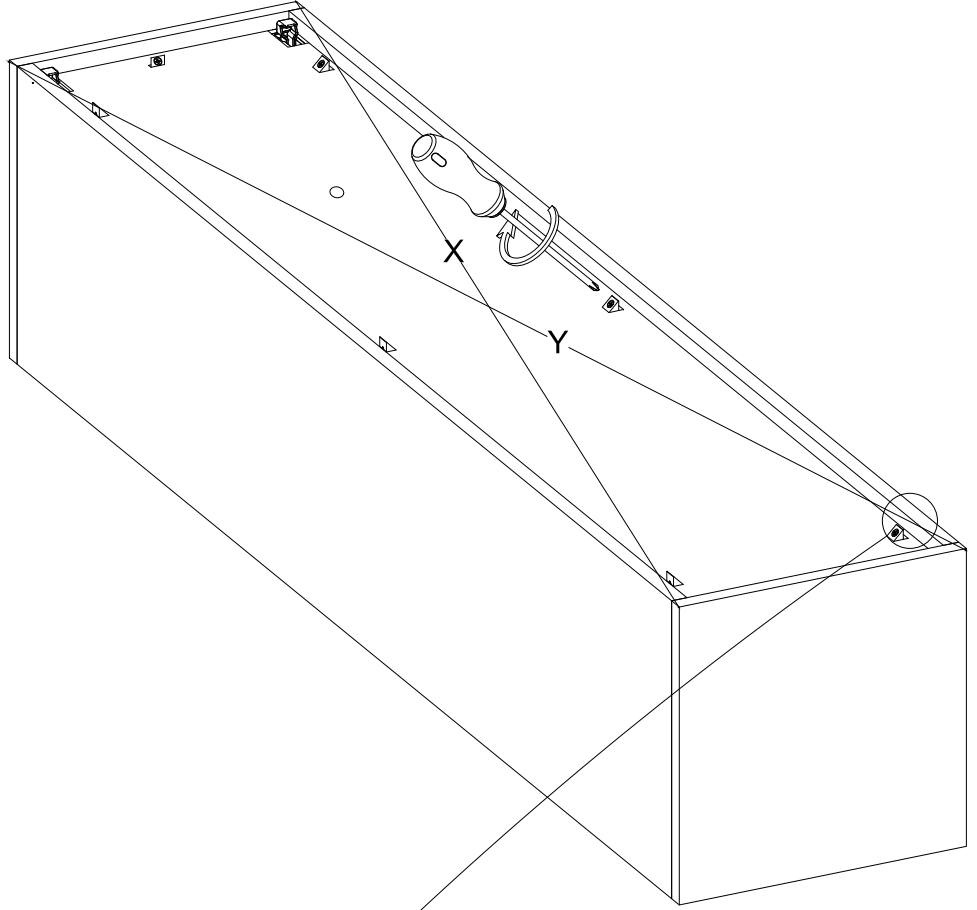
	
M	4.0x25
4	8



XI

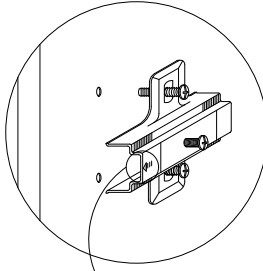
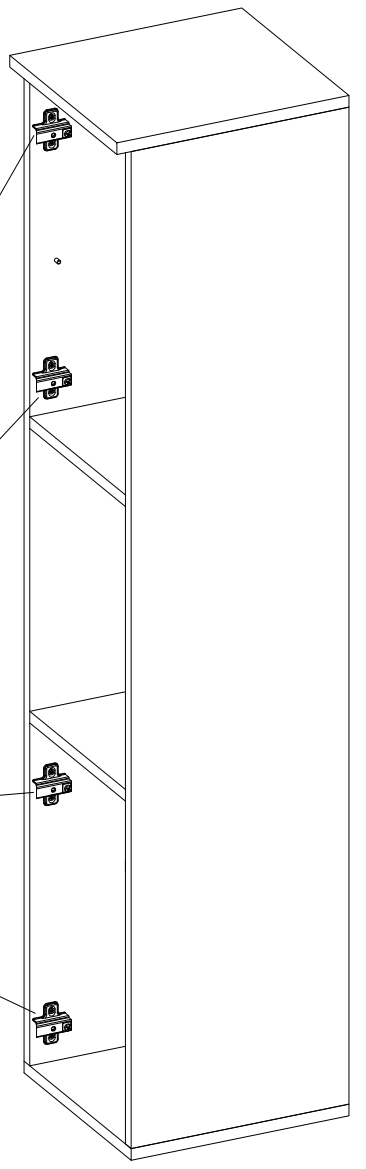
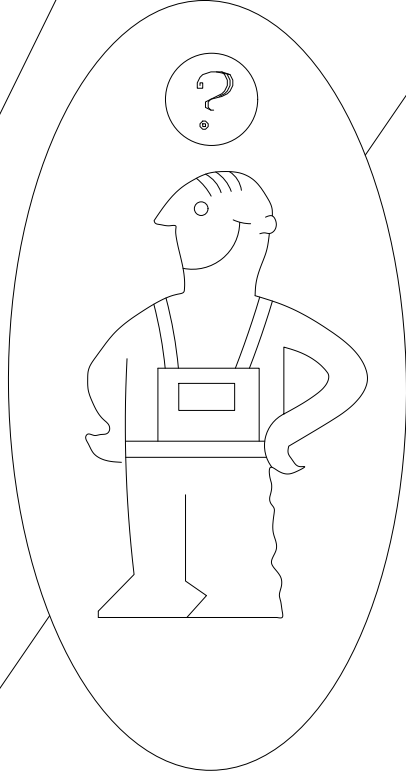
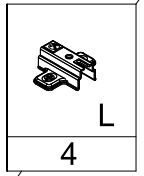
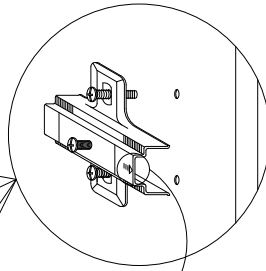
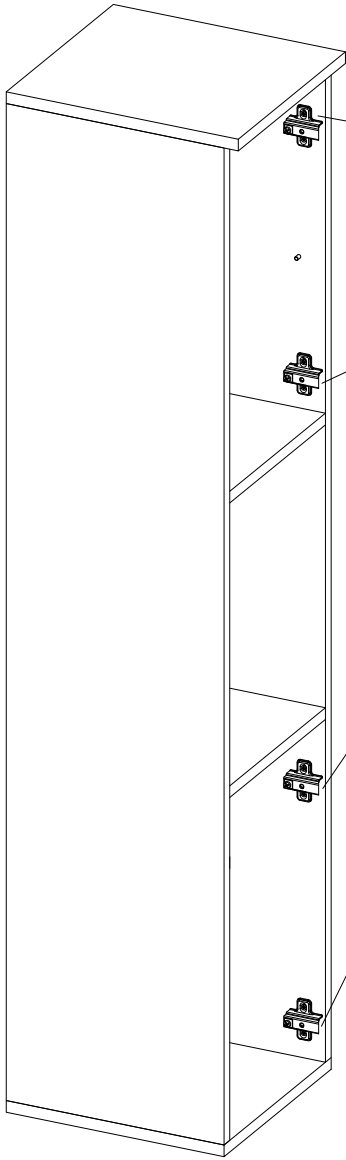
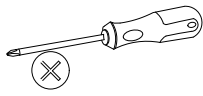


8

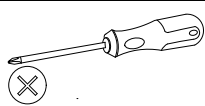


$X=Y$

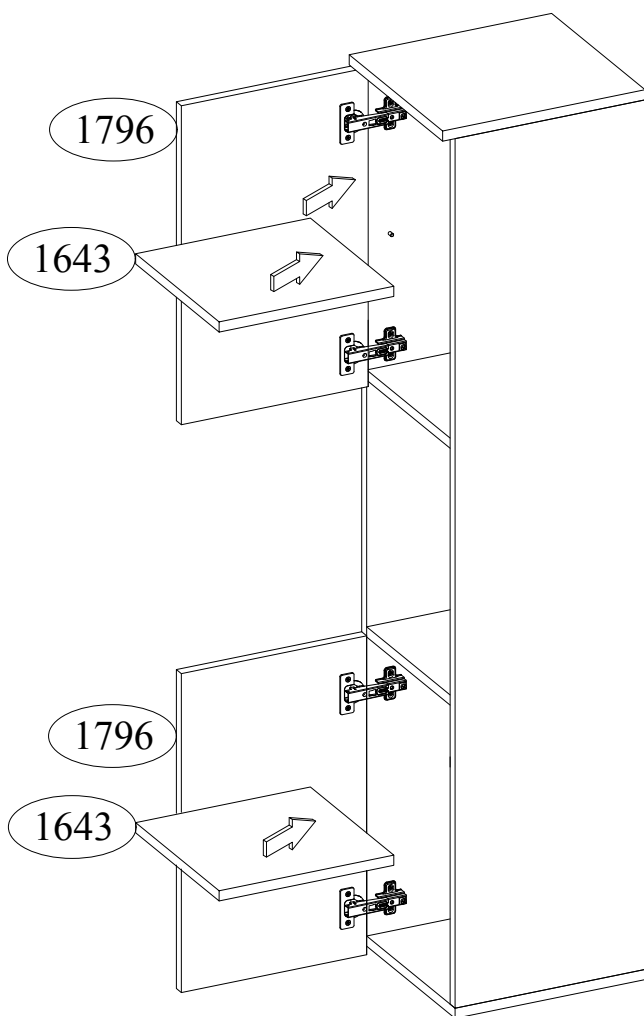
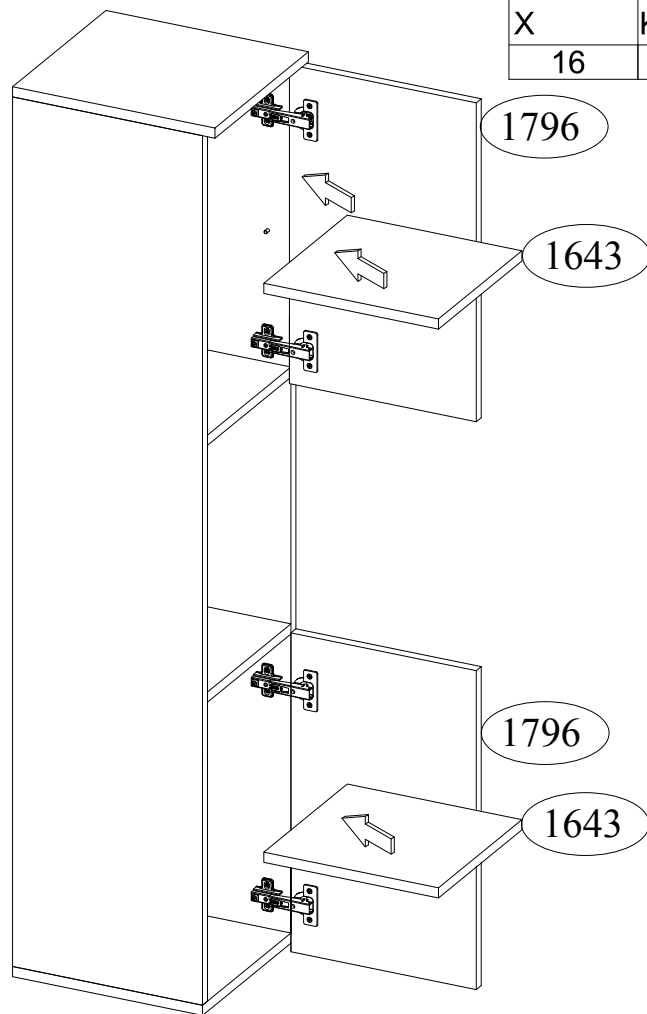
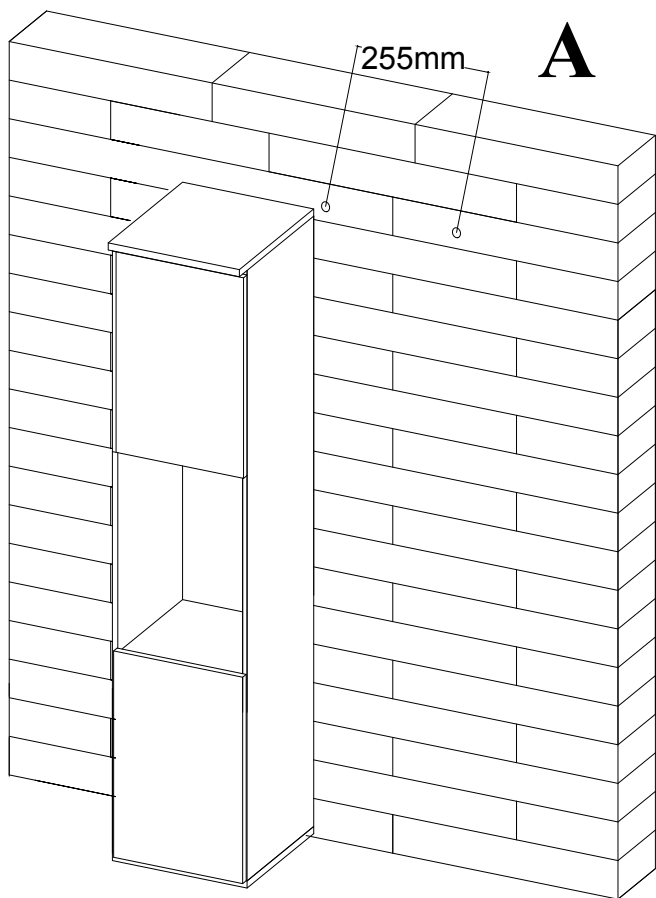
XII



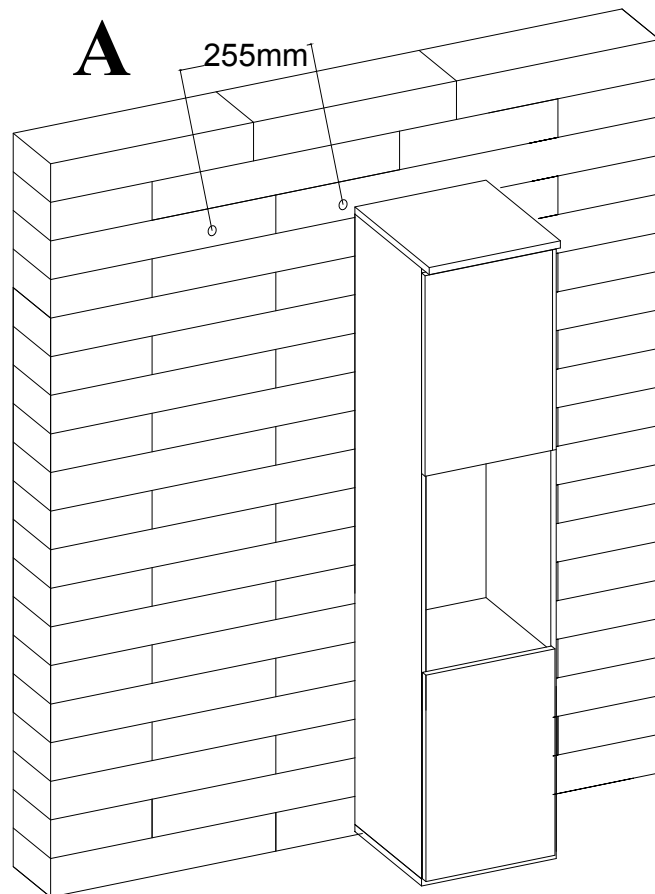
XIII

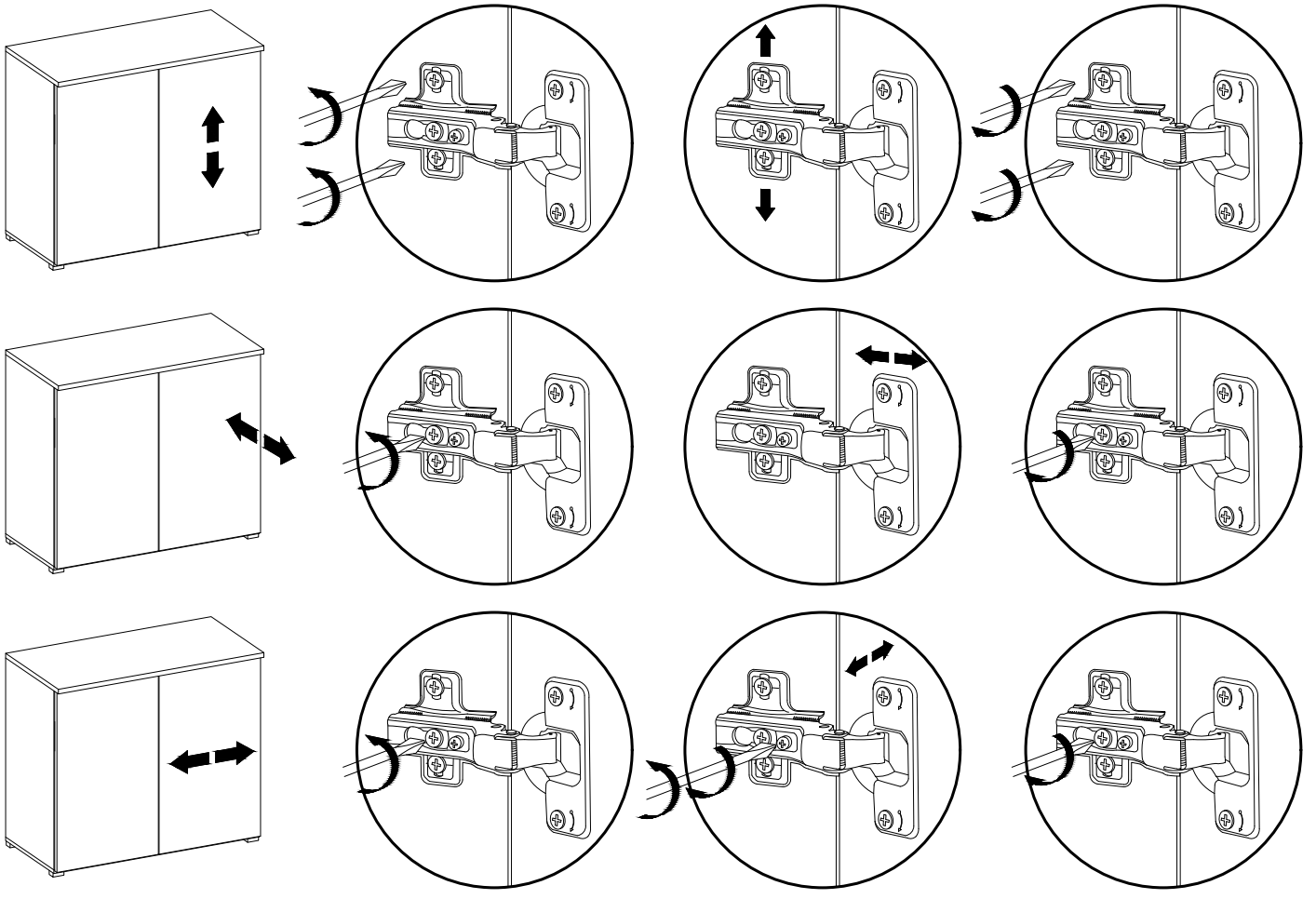


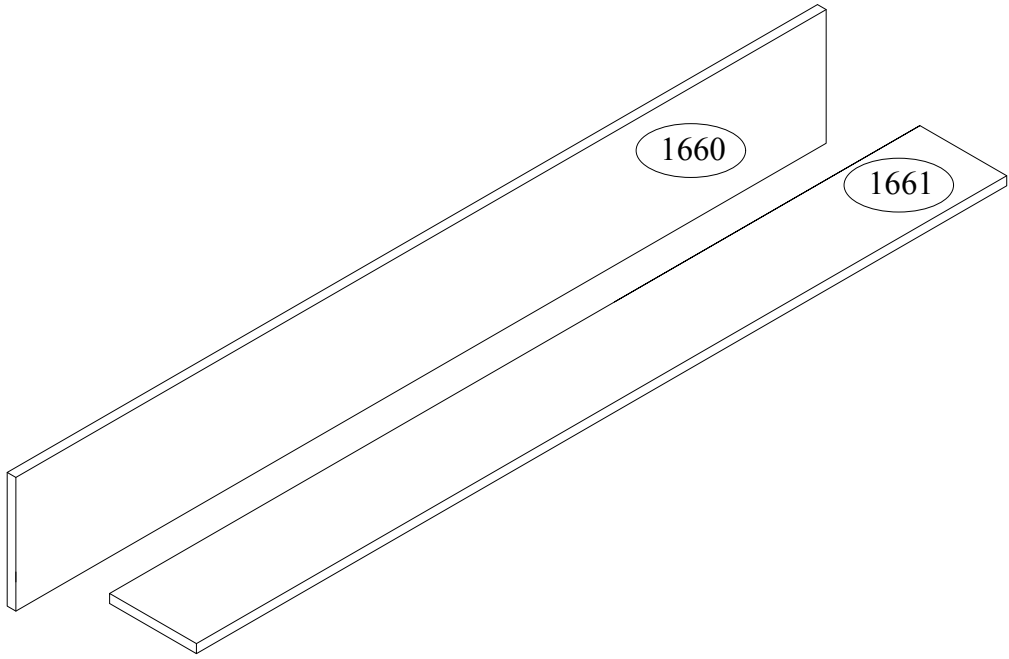
	$\varnothing-10.0$
X	KR
16	1



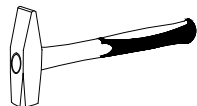
$\varnothing-10.0$	
KR	X
1	16







XIV

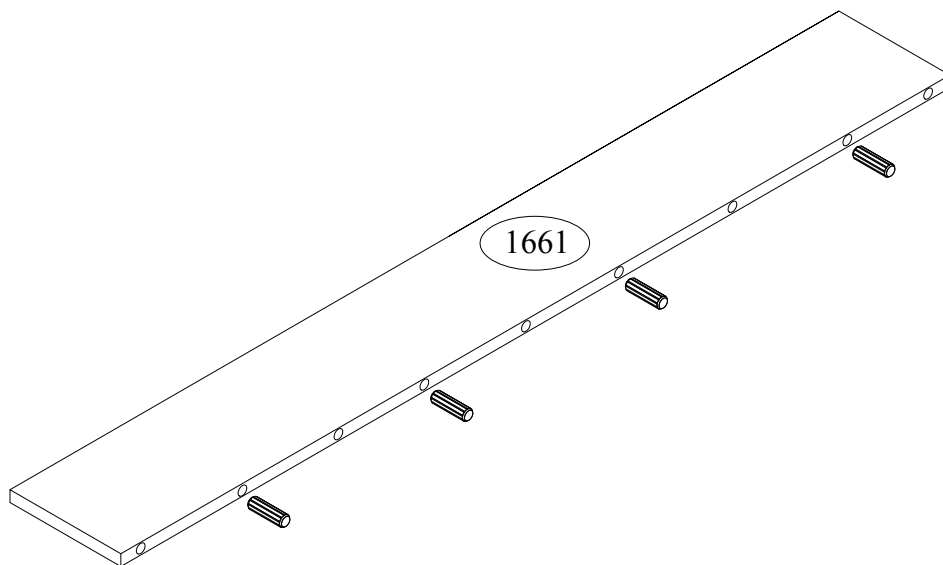


8.0x30

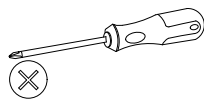


D

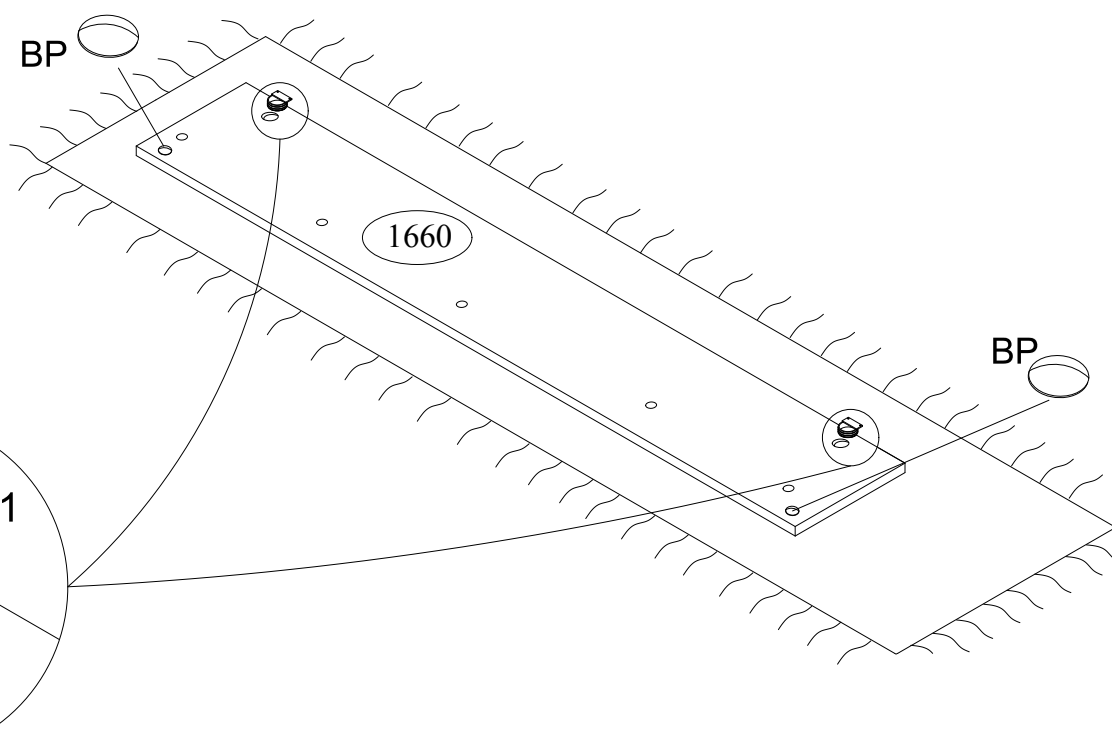
4





XV

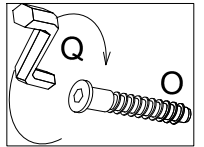
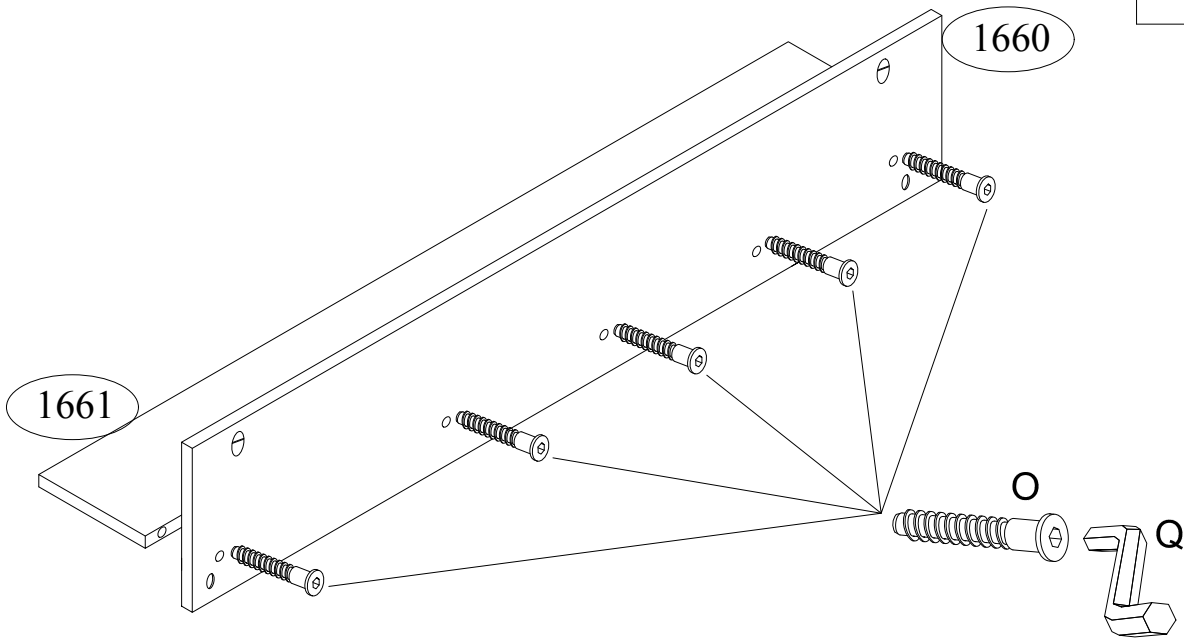


H1	Y1	BP
4	2	2

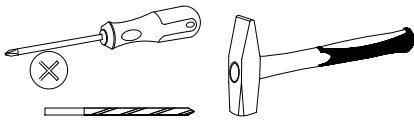



XVI

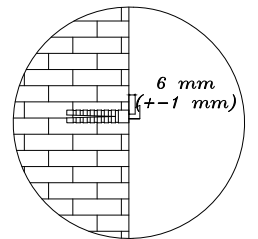
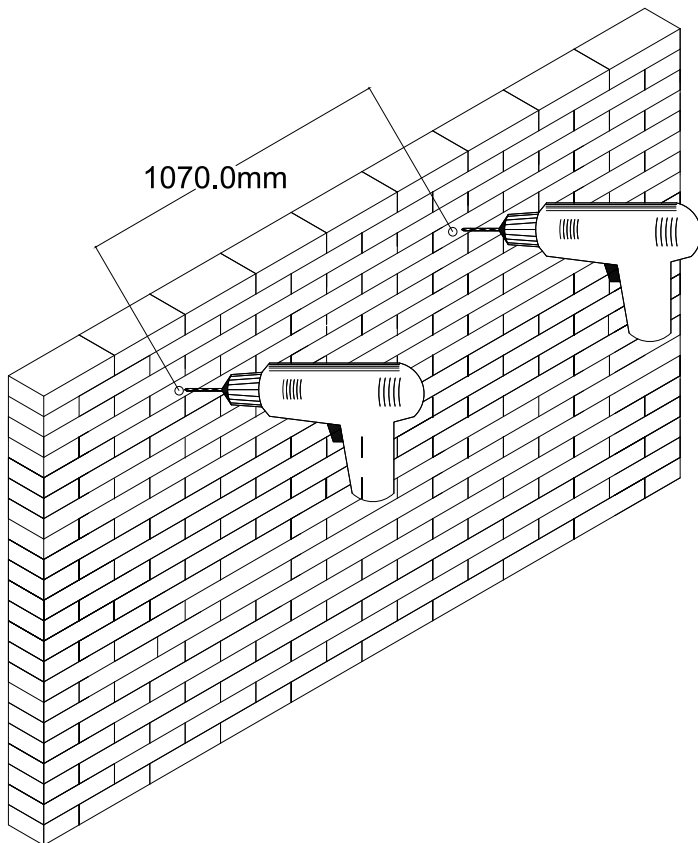
	
Q	O
1	5

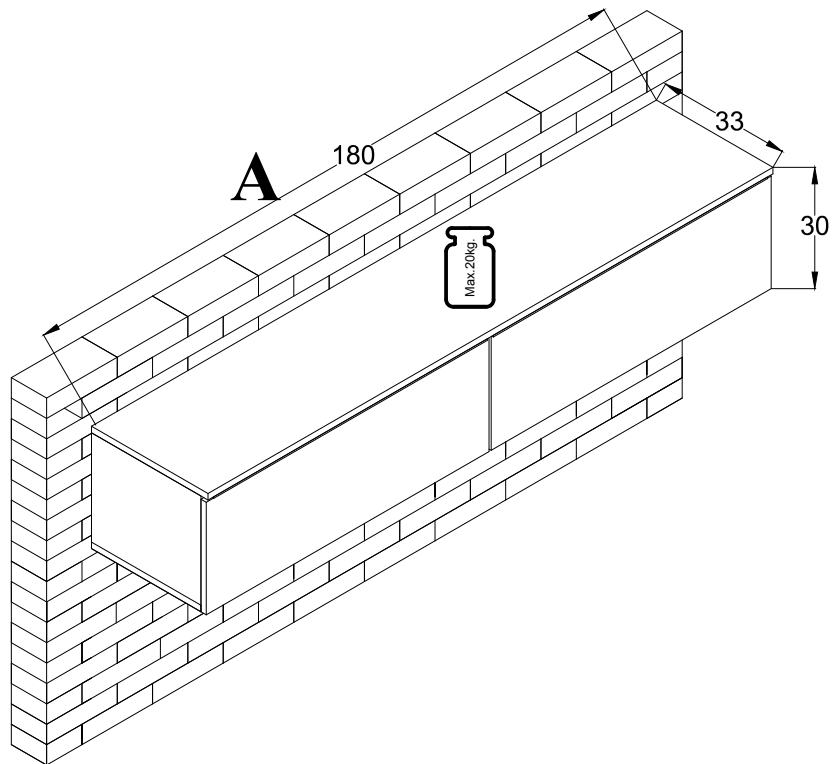
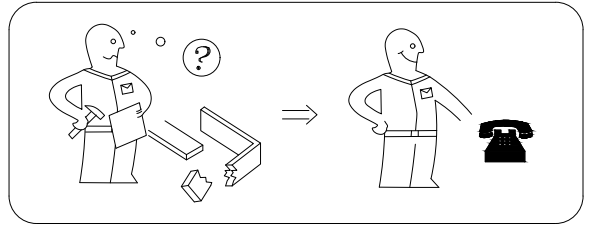
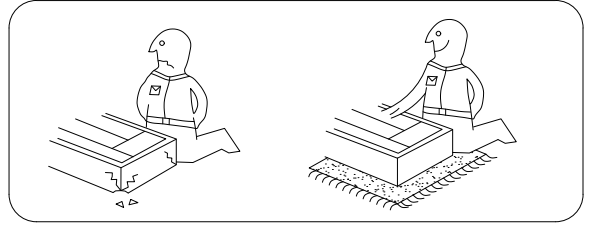
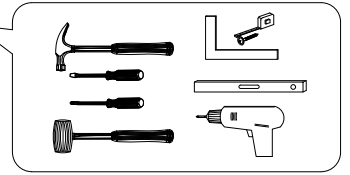
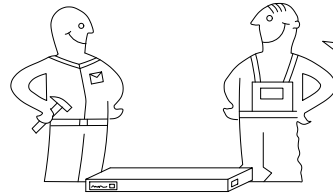
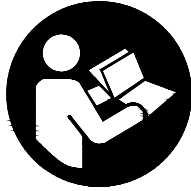


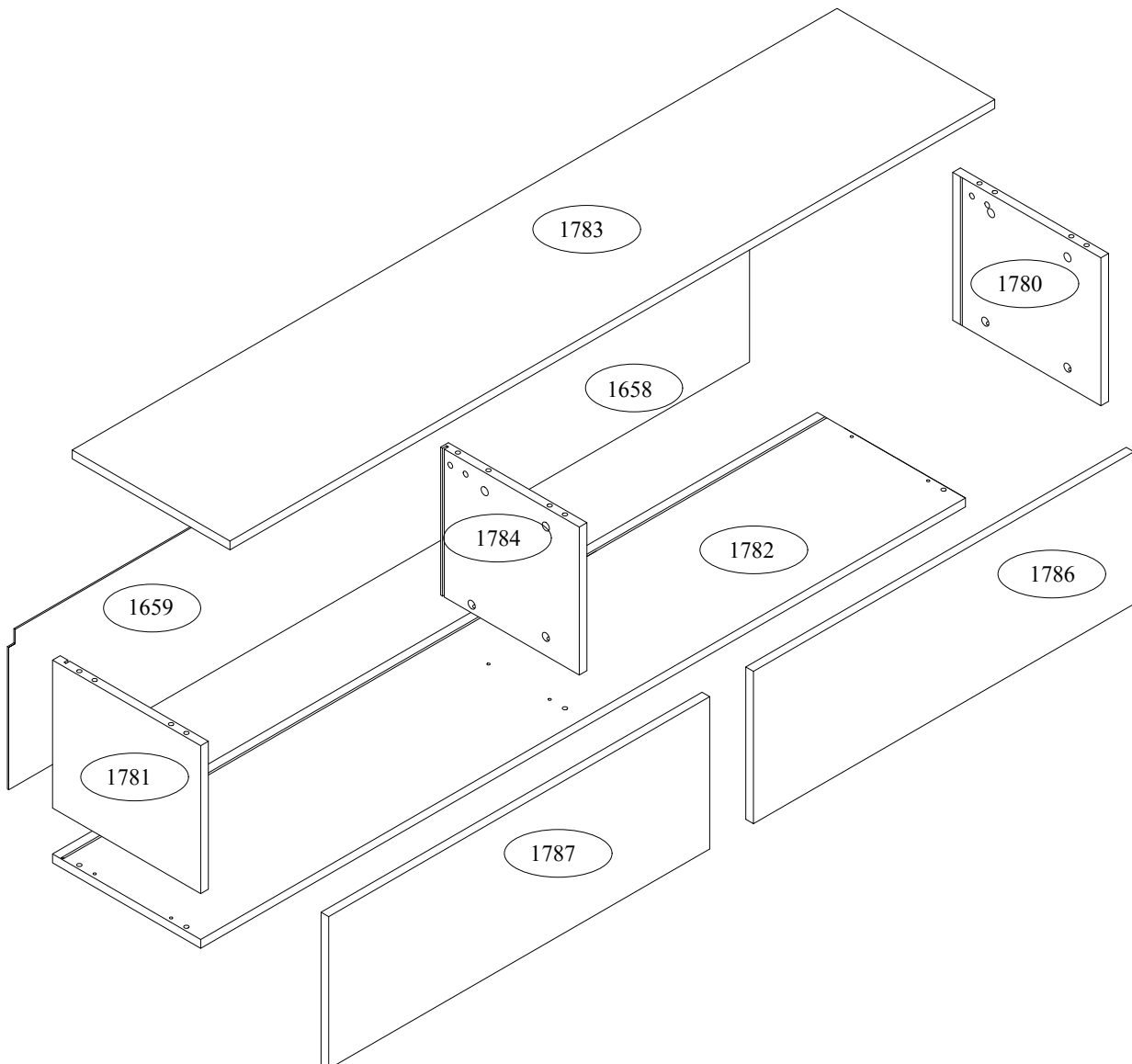
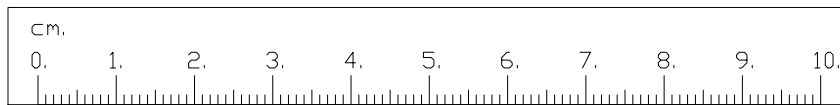
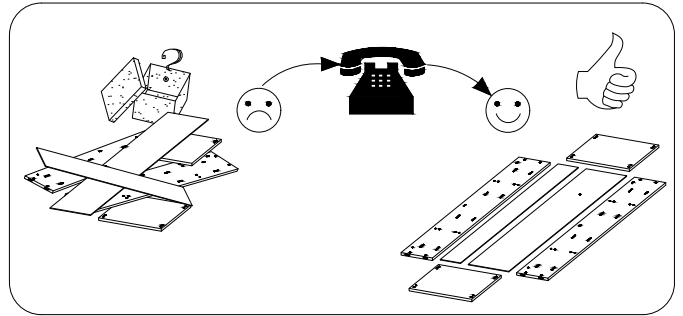
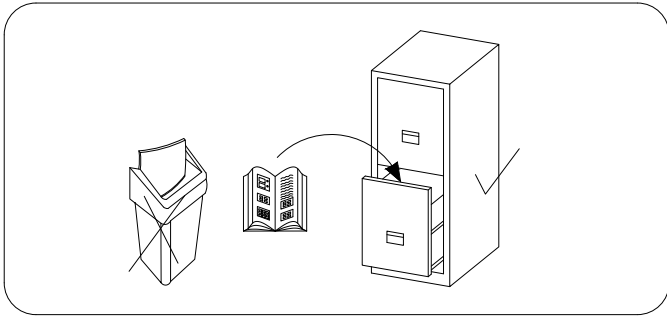
XVII






$\varnothing-10.0$

KR
1


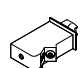
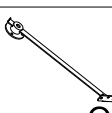








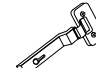

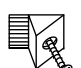

	
A	L
6	4



A
6

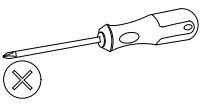
	8.0x30		3.0x13		4.0x30
B	D	G	H	Q	H1
8	8	2	6	2	4

	8.0x30		4.0x30
B	D	G	H1
4	4	1	2

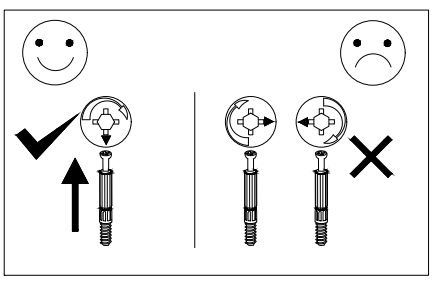
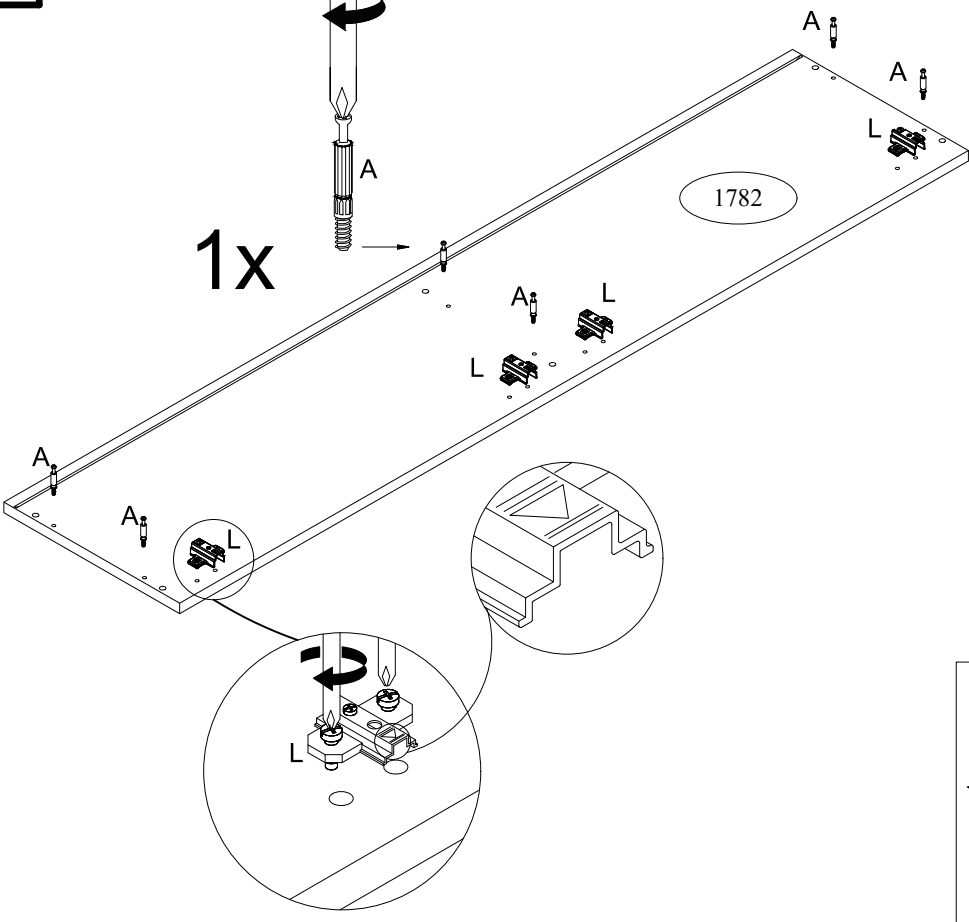
V-VII-IX-X-XIII

6.3x13				3.0x13		4.0x25
F	Z	X	I	H	M	G
8	4	12	12	6	6	12

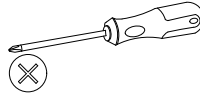
∅-10.0

KR
1



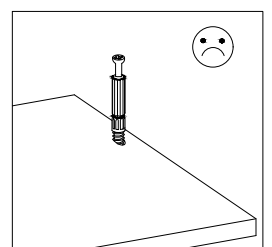
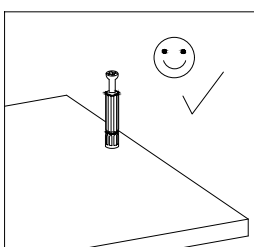
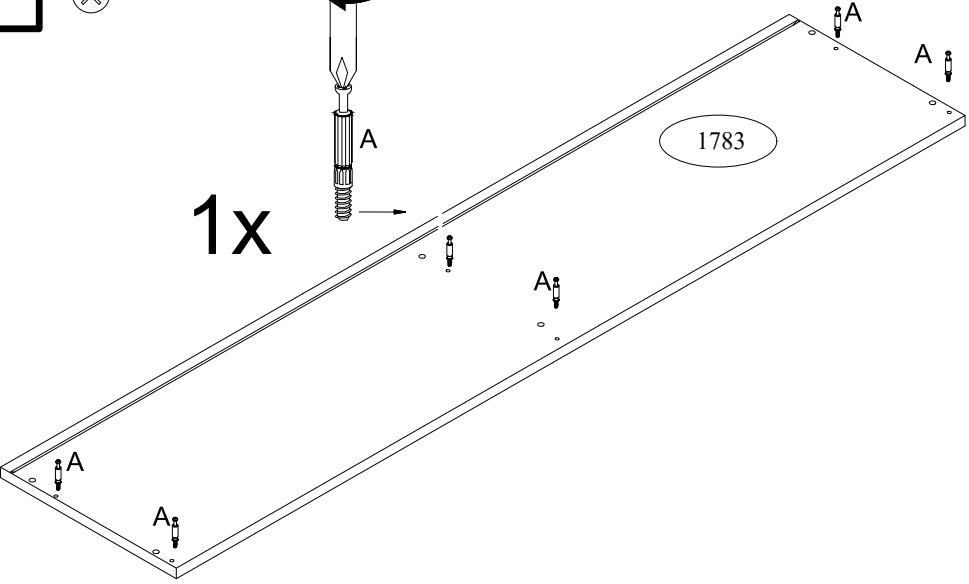
L	A
4	6

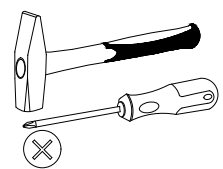
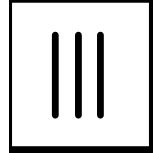


||



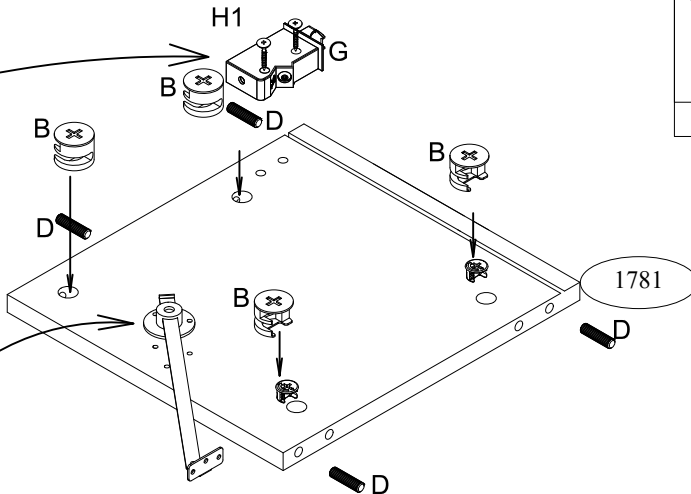
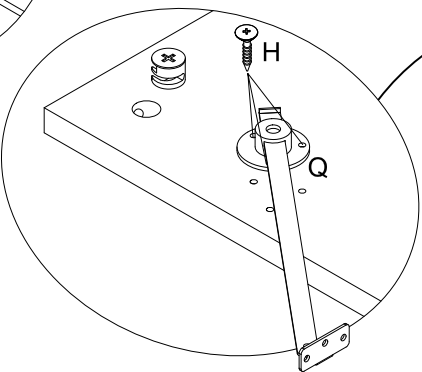
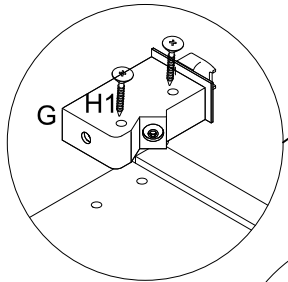
A
6





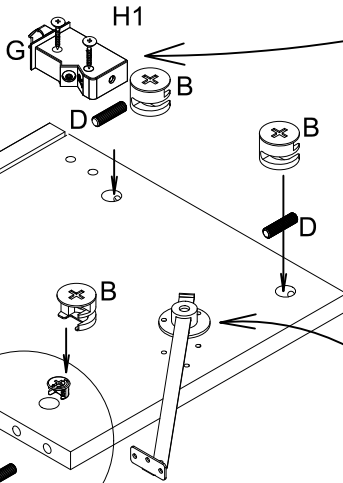
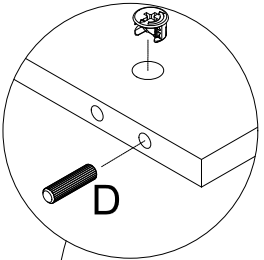
3.0x13 H	G	4.0x30 H1	8.0x30 D	B
6	2	4	8	8
				Q
				2

1x

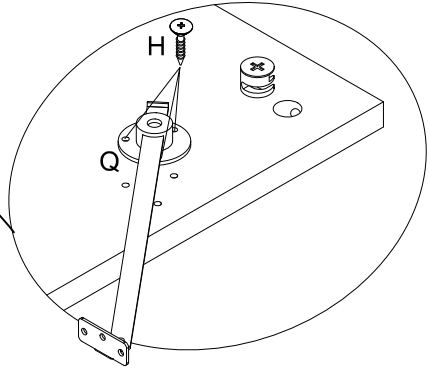


1781

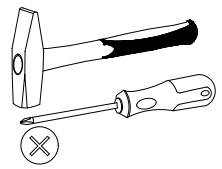
1x



1780

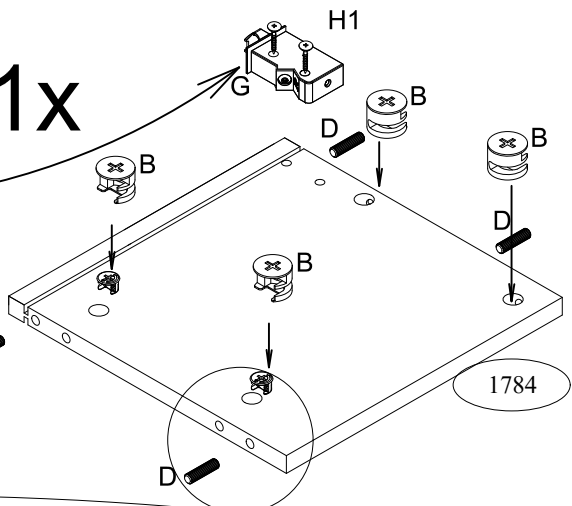
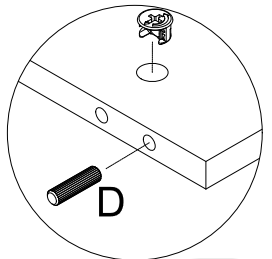
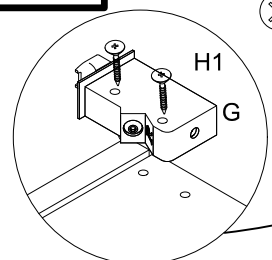


IV



G	4.0x30 H1	8.0x30 D	B
1	2	4	4

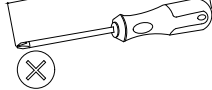
1x



1784

V

MAX.150 mm



6.3X13



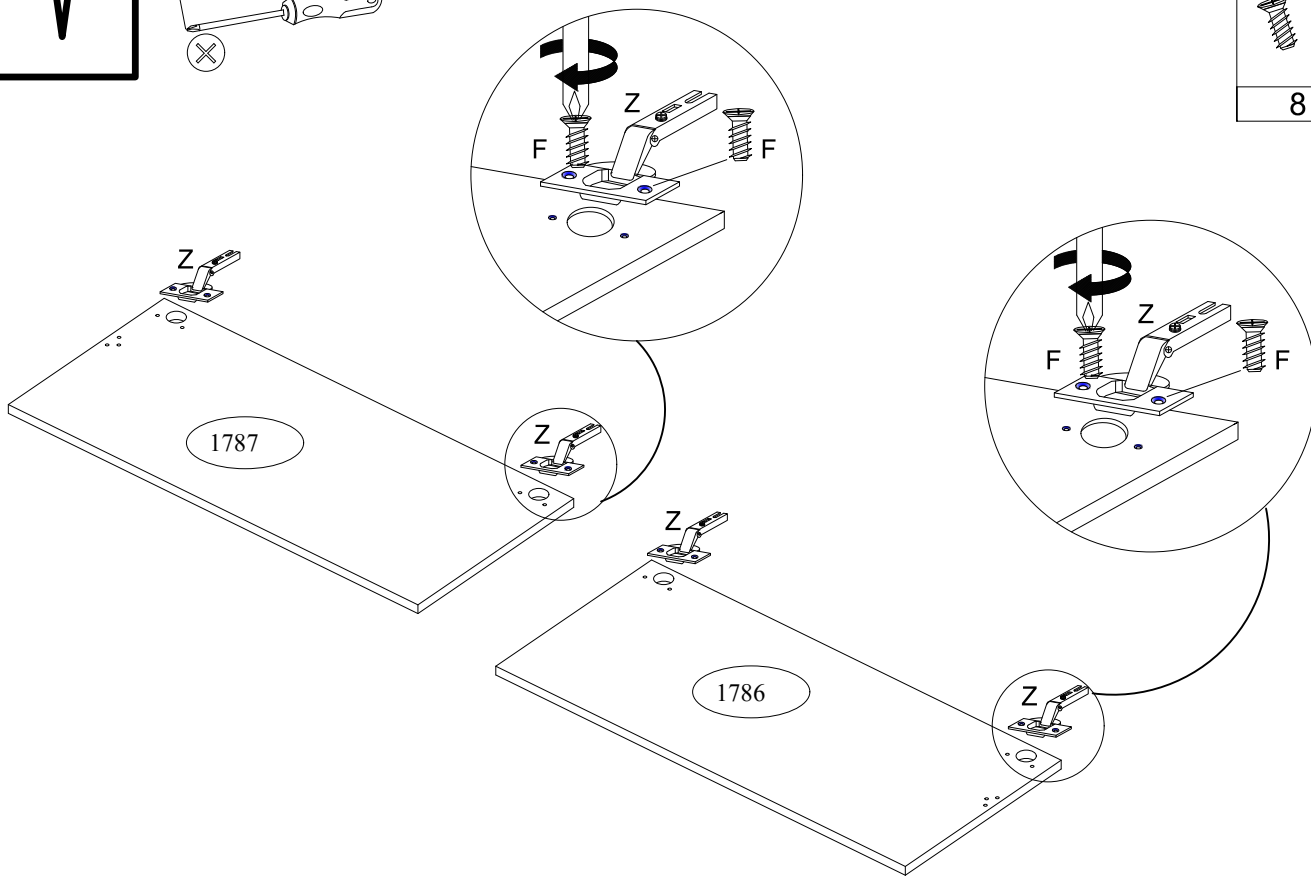
F

8



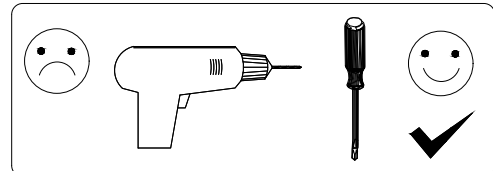
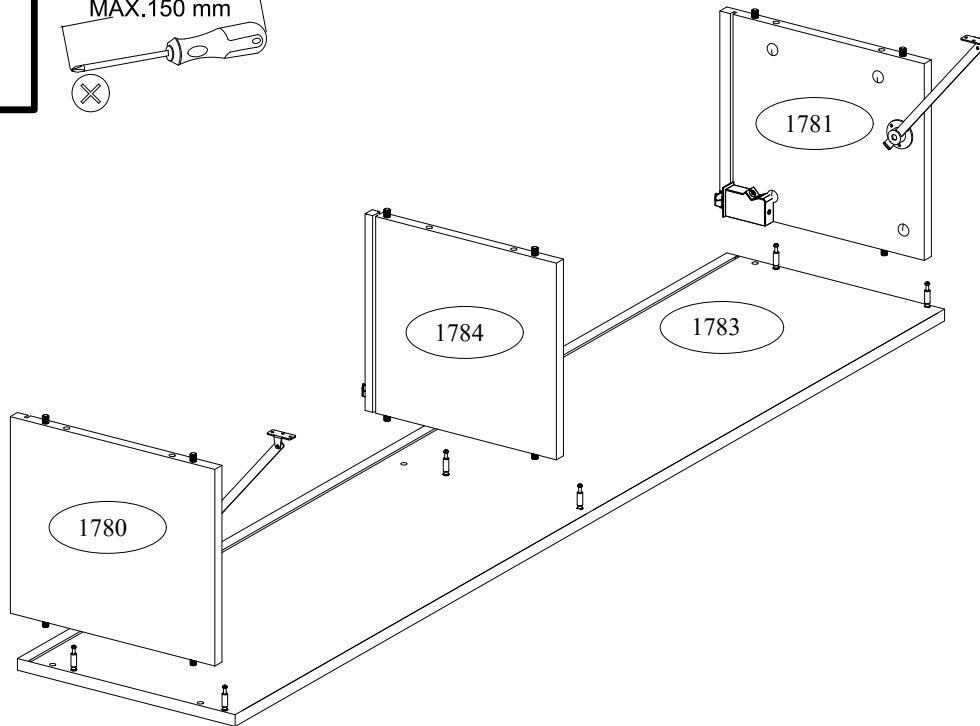
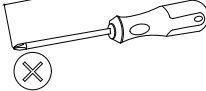
Z

4

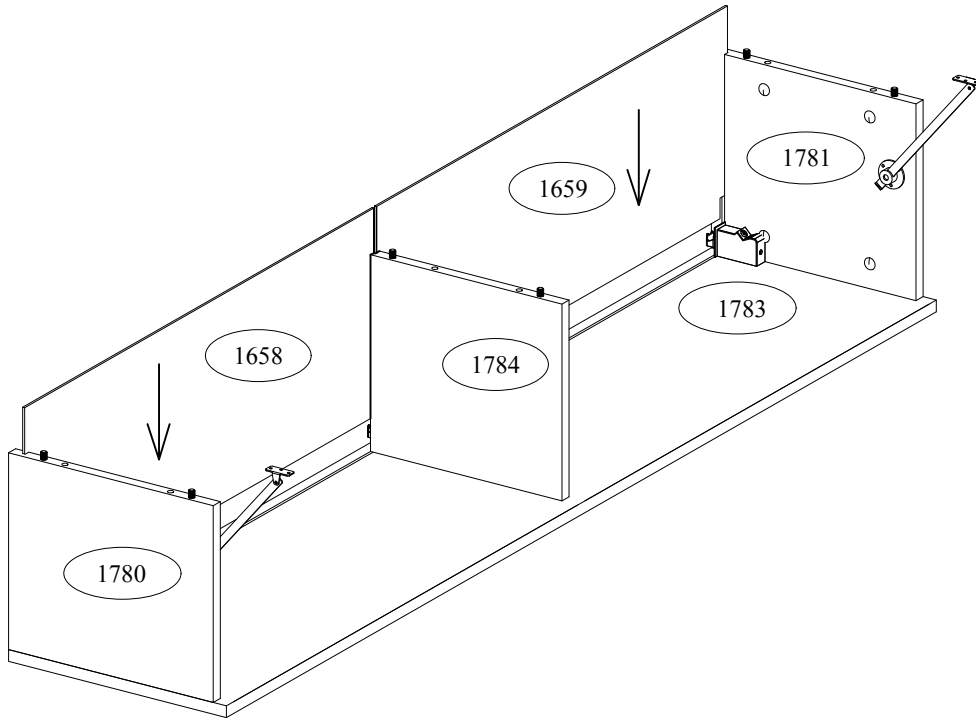
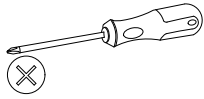


VI

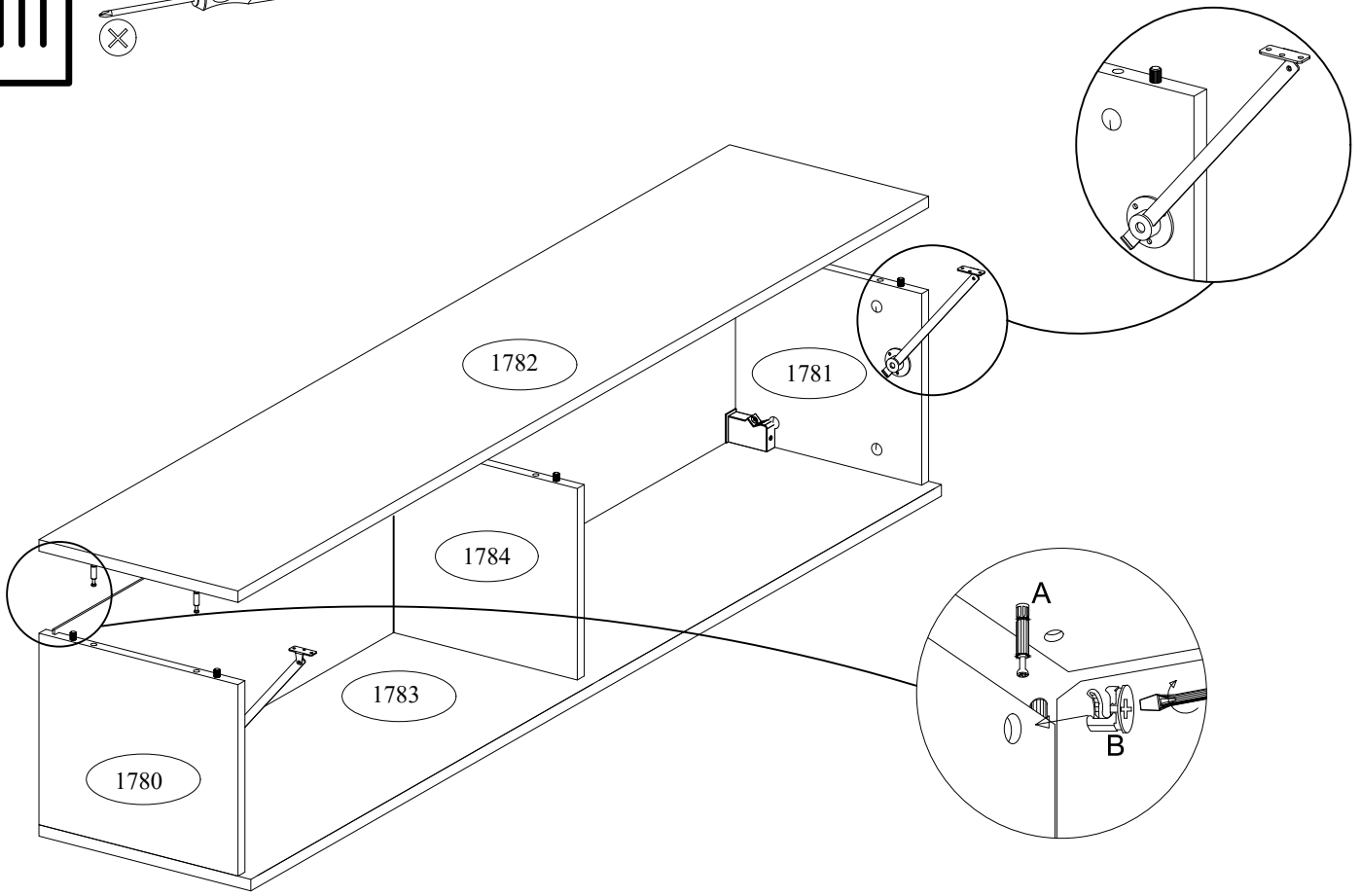
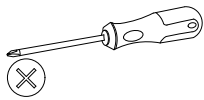
MAX.150 mm



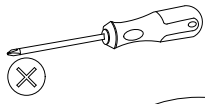
VII

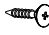
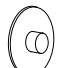


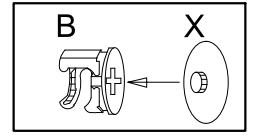
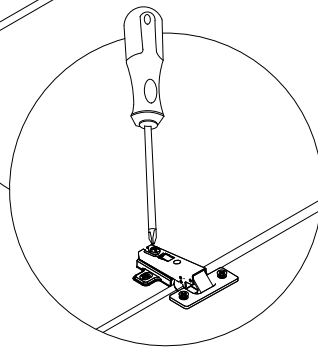
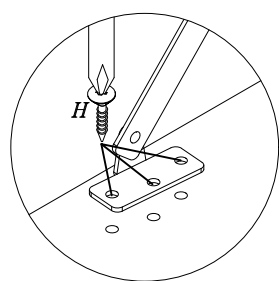
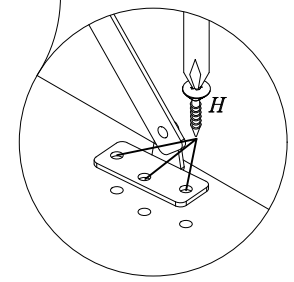
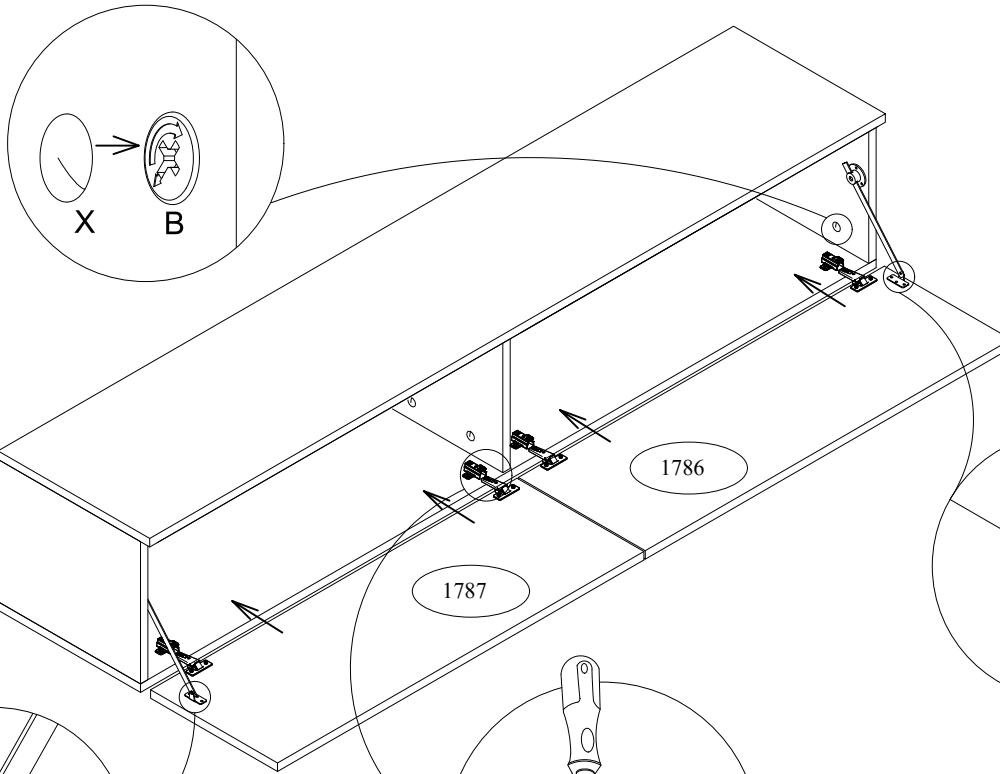
VIII



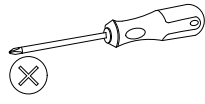
IX

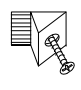


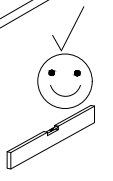
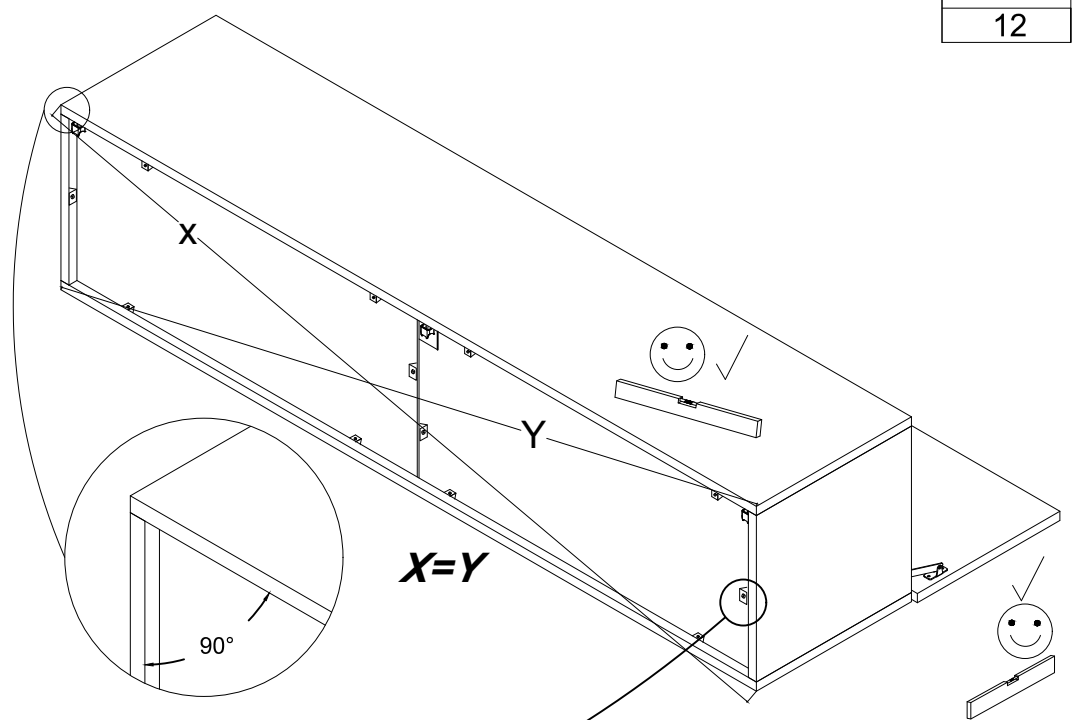
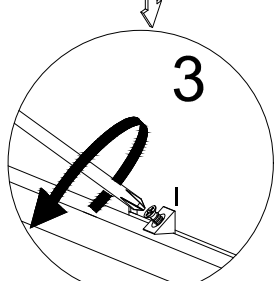
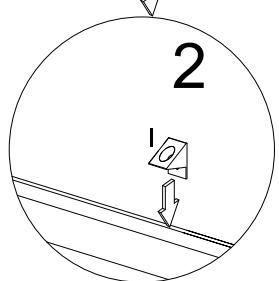
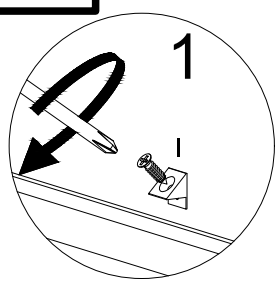
3.0x13  H	 X
6	12



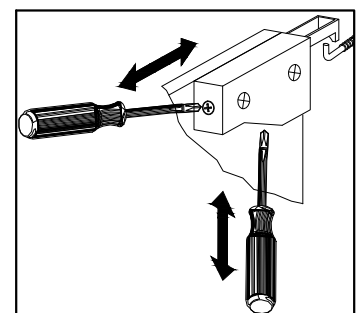
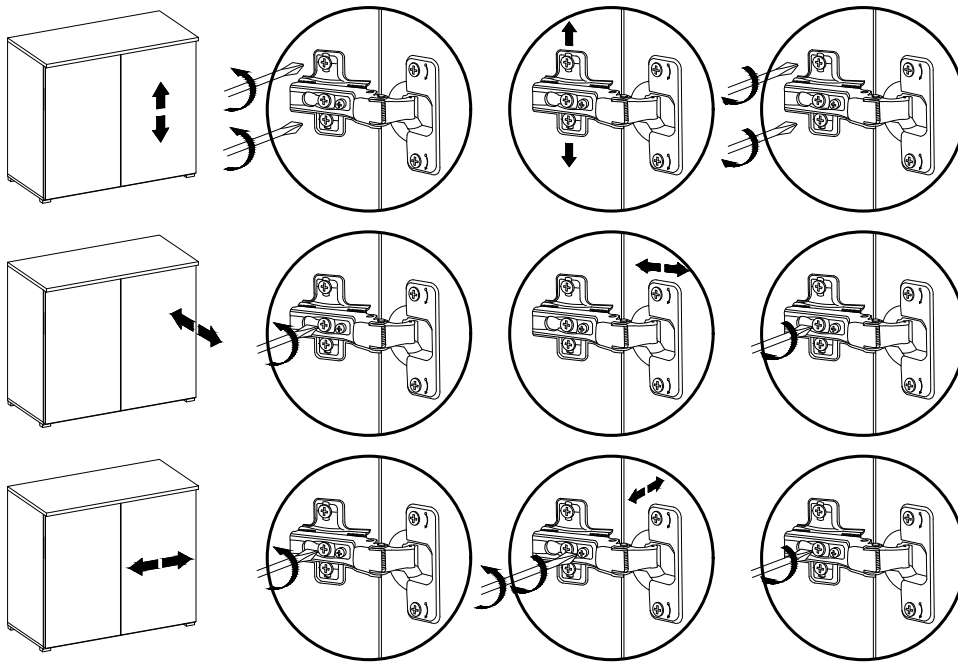
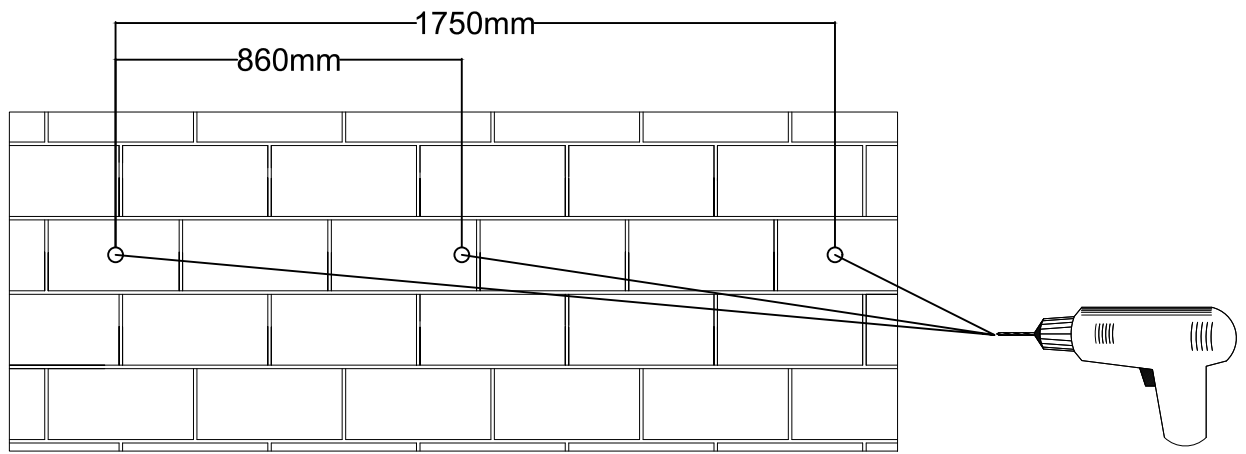
X



 I
12

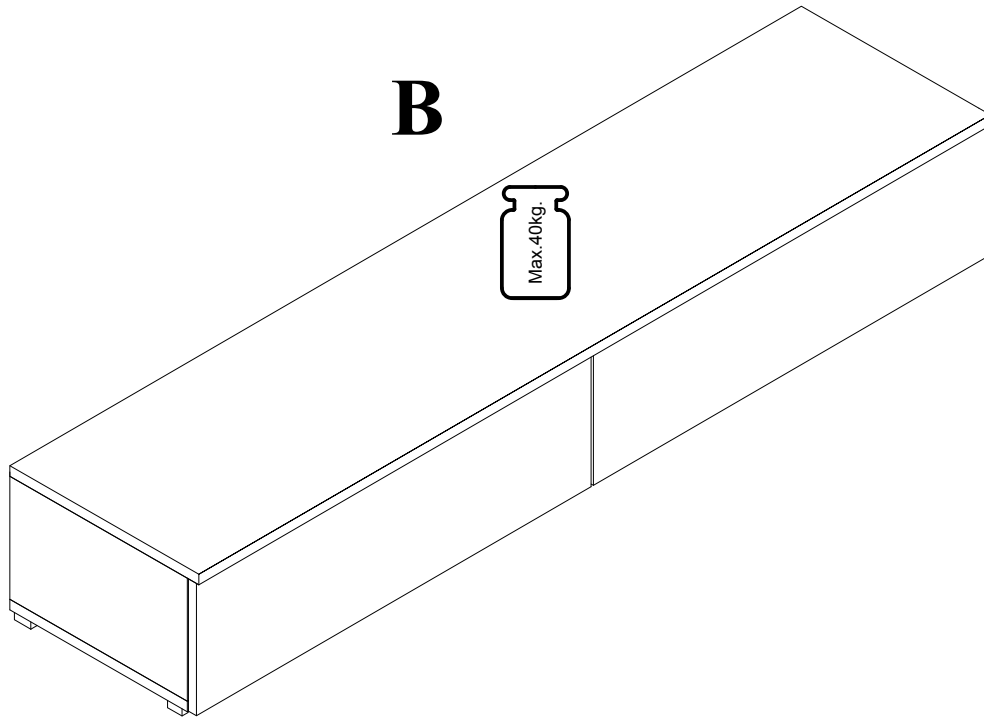


XI

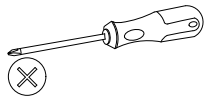




XII

B



XIII



	4.0x25 
M	G
6	12

