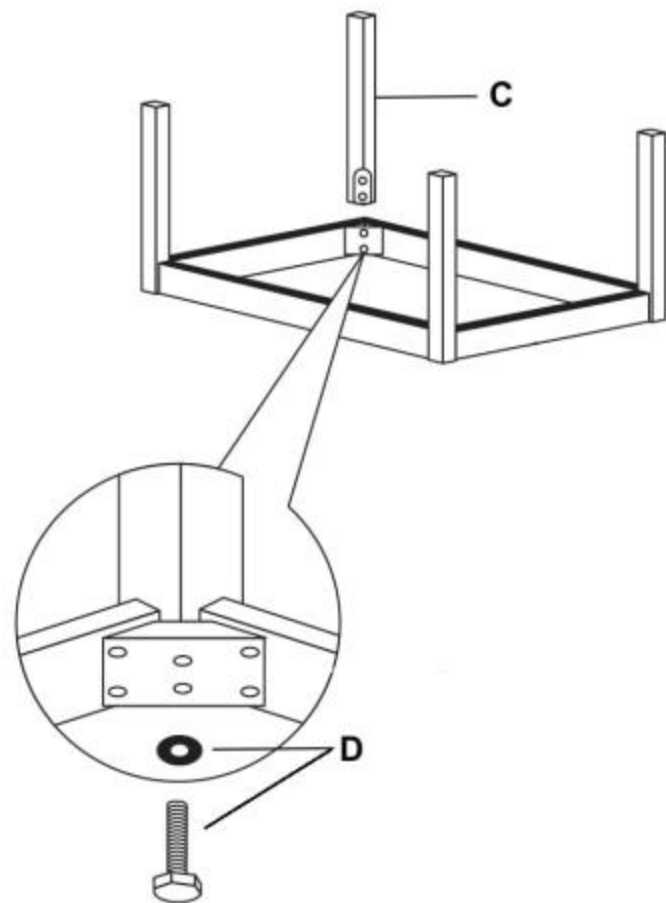
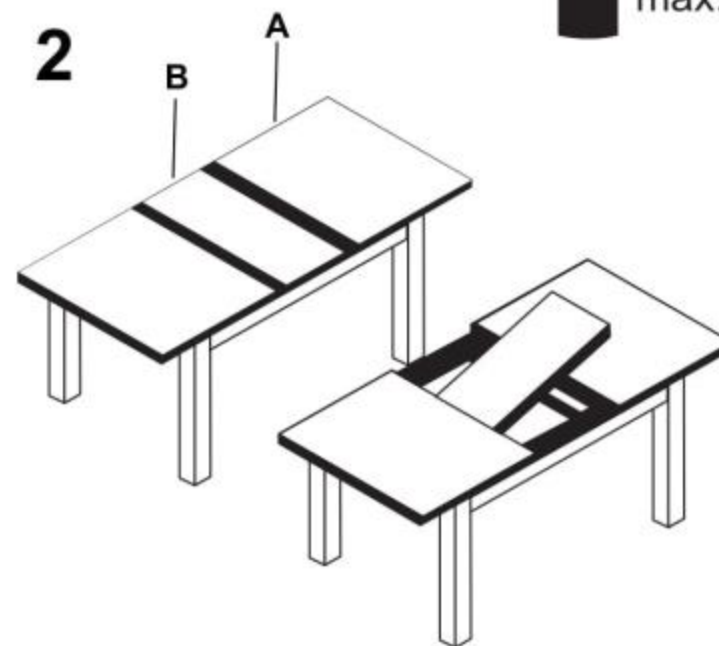


1



2



max. 40 kg



A		1
B		2
C		4
D		8