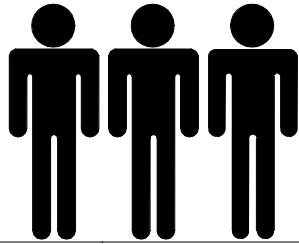


ASSEMBLY INSTRUCTION



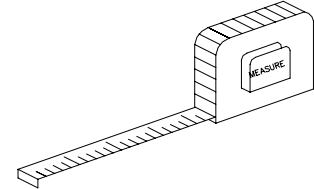
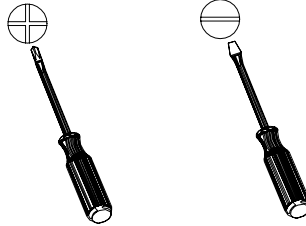
3 PERSON ASSEMBLY

FLOOR AREA
3.5M X 2.0M



CEILING HEIGHT
2.3M

(FLAT BULD)
REQUIRED ASSEMBLY SPACE



REQUIRED ASSEMBLY TOOLS

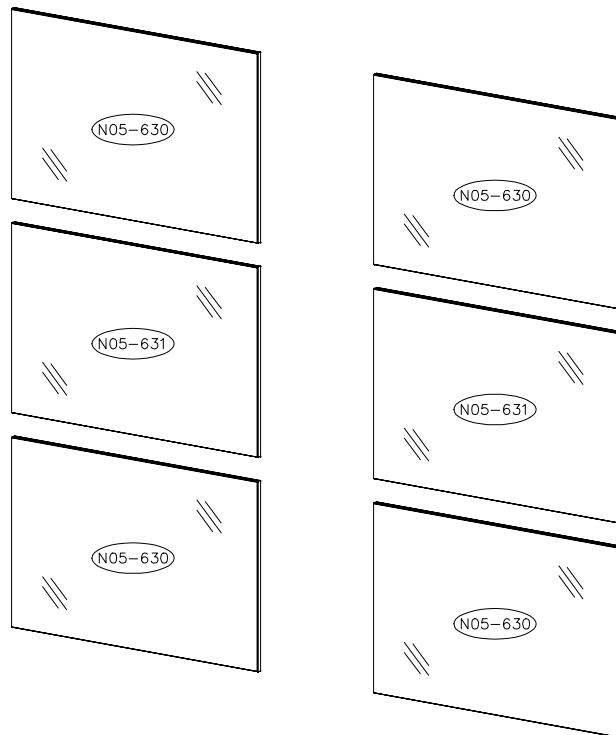
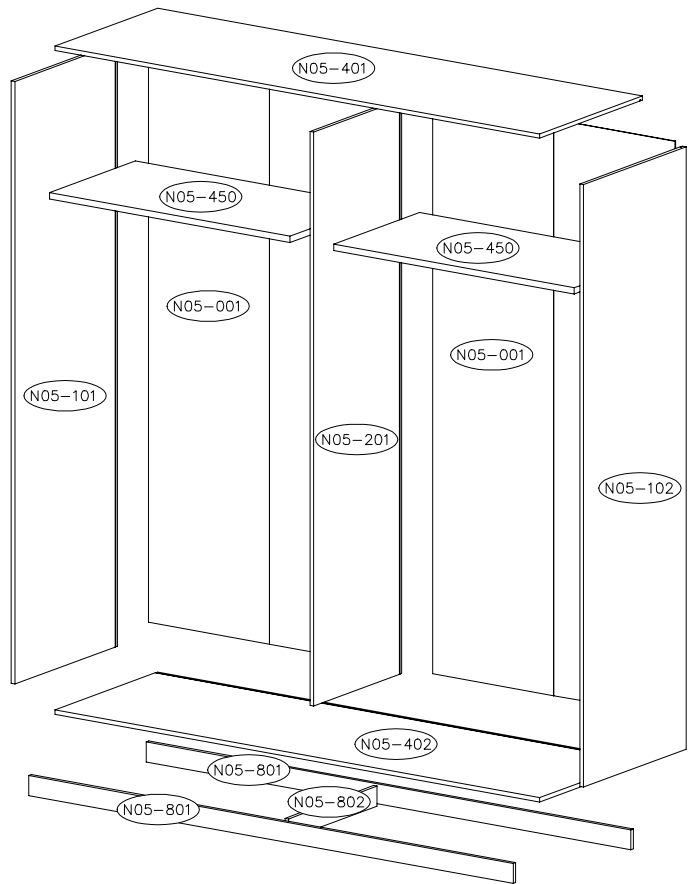
ASSEMBLED DIMENSIONS



SKYWAYS HOUSE, SPEKE ROAD, LIVERPOOL L70 1AB

PARTS LIST

NO.	PART LIST	QTY
101	LEFT SIDE	1
102	RIGHT SIDE	1
201	DASH PANEL	1
401	TOP PANEL	1
450	UPPER MIDDLE SHELF	2
402	BOTTOM PANEL	1
630	DOOR WITH MIRROR	4
631	DOOR WITH MIRROR	2
801	LONG PLINTH	2
802	SHORT PLINTH	1
001	BACK PANEL	2



PACK 1 CONSISTS OF PARTS:

001, 101, 102, 201, 801,
802, A1

PACK 2 CONSISTS OF PARTS:

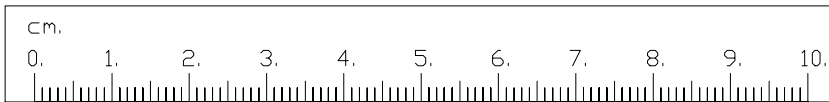
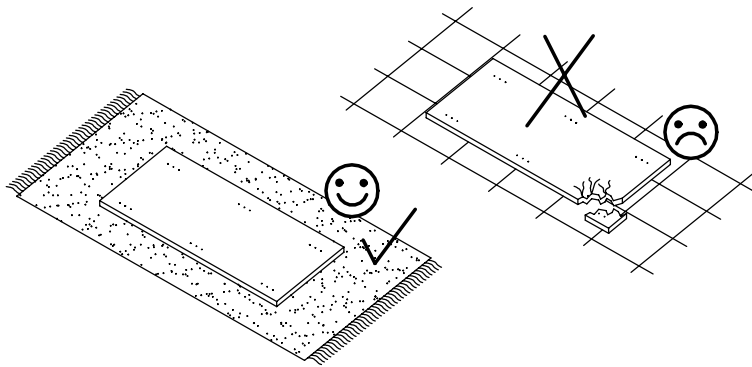
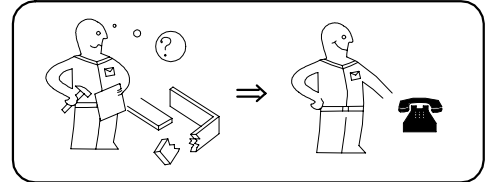
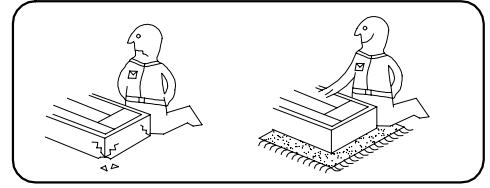
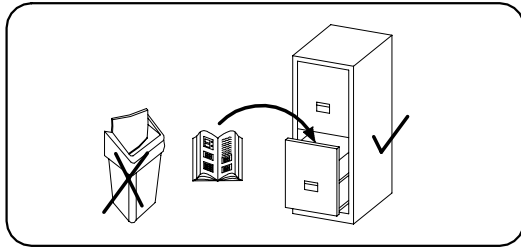
401, 402, 450, Fittings

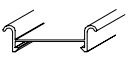








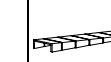

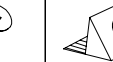
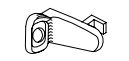



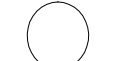




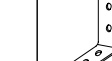

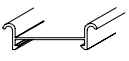
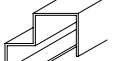
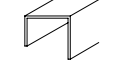





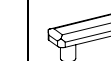
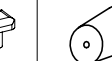

PACK 3 CONSISTS OF PARTS:

630

PACK 4 CONSISTS OF PARTS:

631



 S72 1										
 S68 2	 L-1978 S70 1	 C7 4	 L-2000 S71 1	 A4 2	 A2 12	 8.0x50 D2 2	 3.0x15 W4 4	 P18 2	 4.0x35 W6 1	 J 12
 J1 12	 6.3x11 F2 12	 A 16	 B 44	 C1 20	 8.0x30 D 30	 3.5x13 G7 32	 H 4	 3.0x13 W3 4	 J4 10	 4.0x16 W10 8
 S63 1	 S64 2	 S65 2	 S66 8	 S67 8	 L-987 H1 2	 4.0x13 V3 64	 T17 1	 P9 11	 S62 1	 J3 2

Top Tips before you start!

1. Please check that all parts are present before you start the assembly of your furniture, as once assembled, the furniture is exempt from our home approval policy.
2. For ease and speed of assembly, we recommend that before you commence each step of the assembly, that you identify all the parts required for that step.
3. For larger items, please ensure that you have sufficient space and people (as indicated on page 1) to assemble your product safely.
4. We recommend that, where possible, all items are assembled near to the area in which they will be placed in use, to avoid moving the product unnecessarily once assembled.
5. For the protection of your furniture, particularly items of high gloss finish, we recommend that the product is placed on a protected surface during assembly to prevent any damage.
6. During assembly please take care not to over-tighten any fittings, as this may damage the product.

Care and Maintenance of your Furniture

Please periodically check all fittings and re-tighten as necessary.

To clean your item, please use a damp cloth and wipe clean.

Never allow any kind of liquid to remain on your furniture. Absorption can cause wood to warp or finishes to de-laminate.

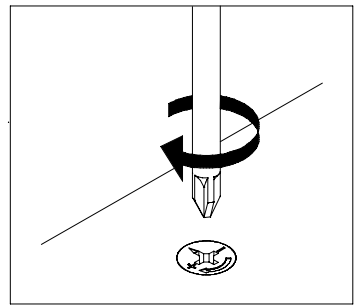
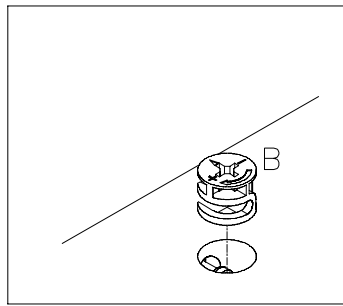
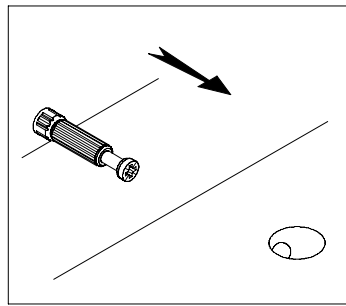
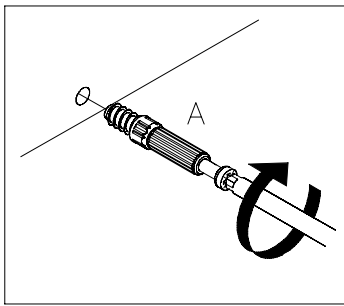
Please do not place hot items (e. g. hot drinks) directly on to the wood surface.

Please do not drag or pull your furniture.

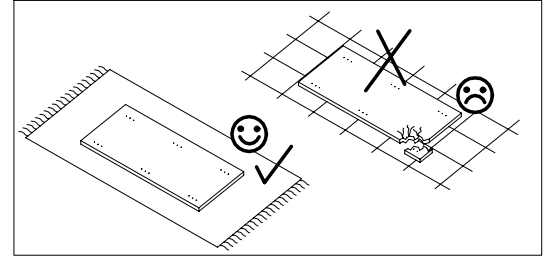
WARNING! IN ORDER TO HELP PREVENT OVERTURNING THIS PRODUCT MUST BE USED WITH THE WALL ATTACHMENT DEVICE PROVIDED

Free Standing Furniture with a height over 600mm

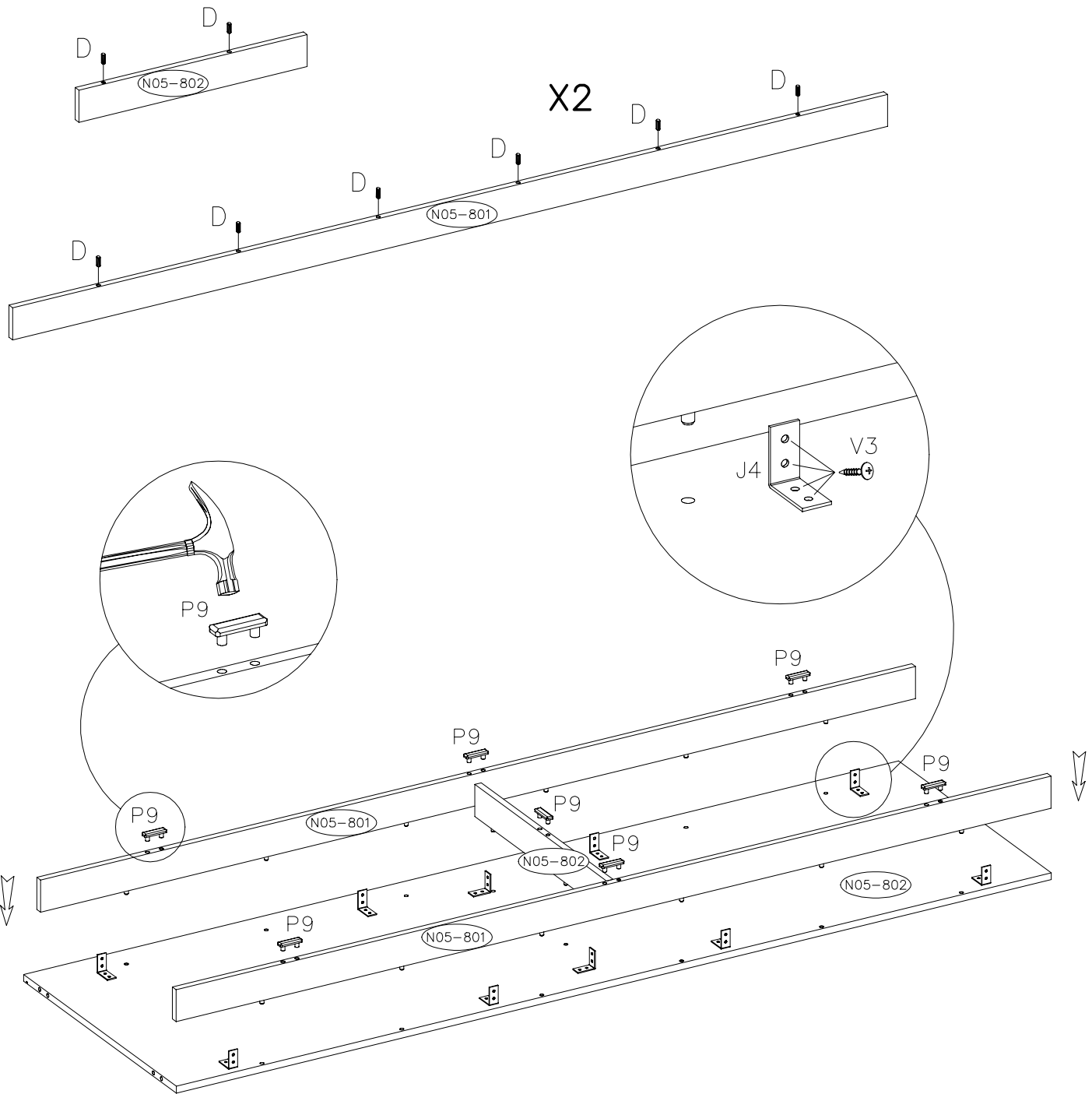
- Use the wall attachment device provided
- Never allow children to climb or hang on drawers, doors or shelves.
- Place heaviest items in the lower drawers or shelves
- Unless specifically designed to accommodate, do not set TV's or other heavy objects on top of this product.
- Never open more than one drawer at a time.



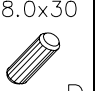

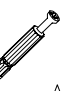


8.0x30 D 14	J4 10	P9 7	4.0x13 V3 40
-------------------	----------	---------	--------------------

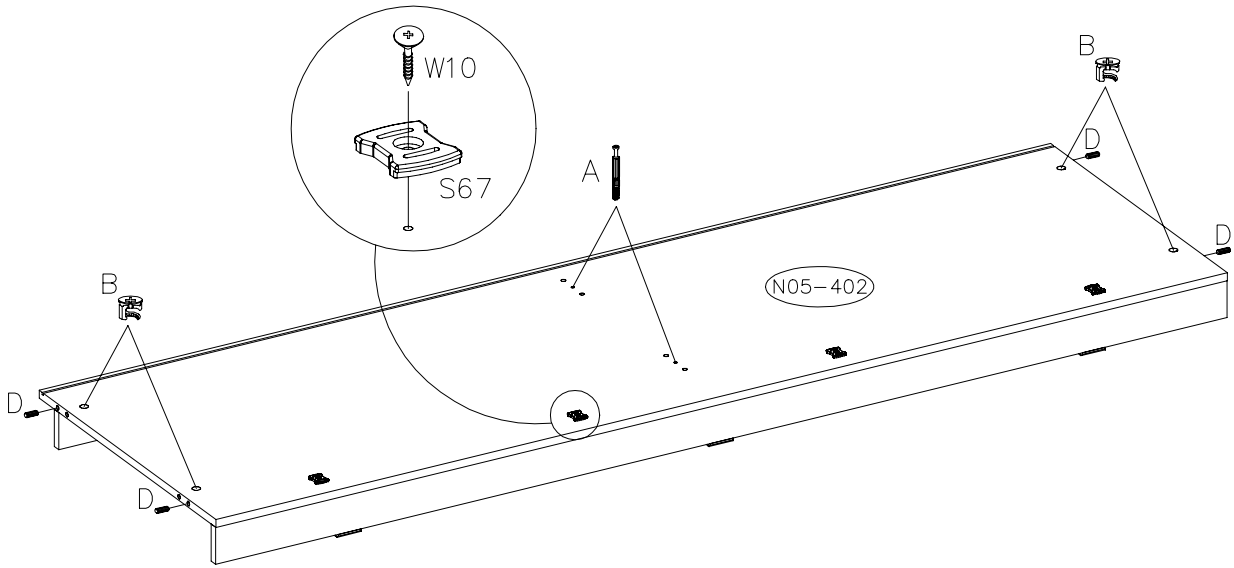


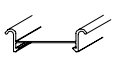
1



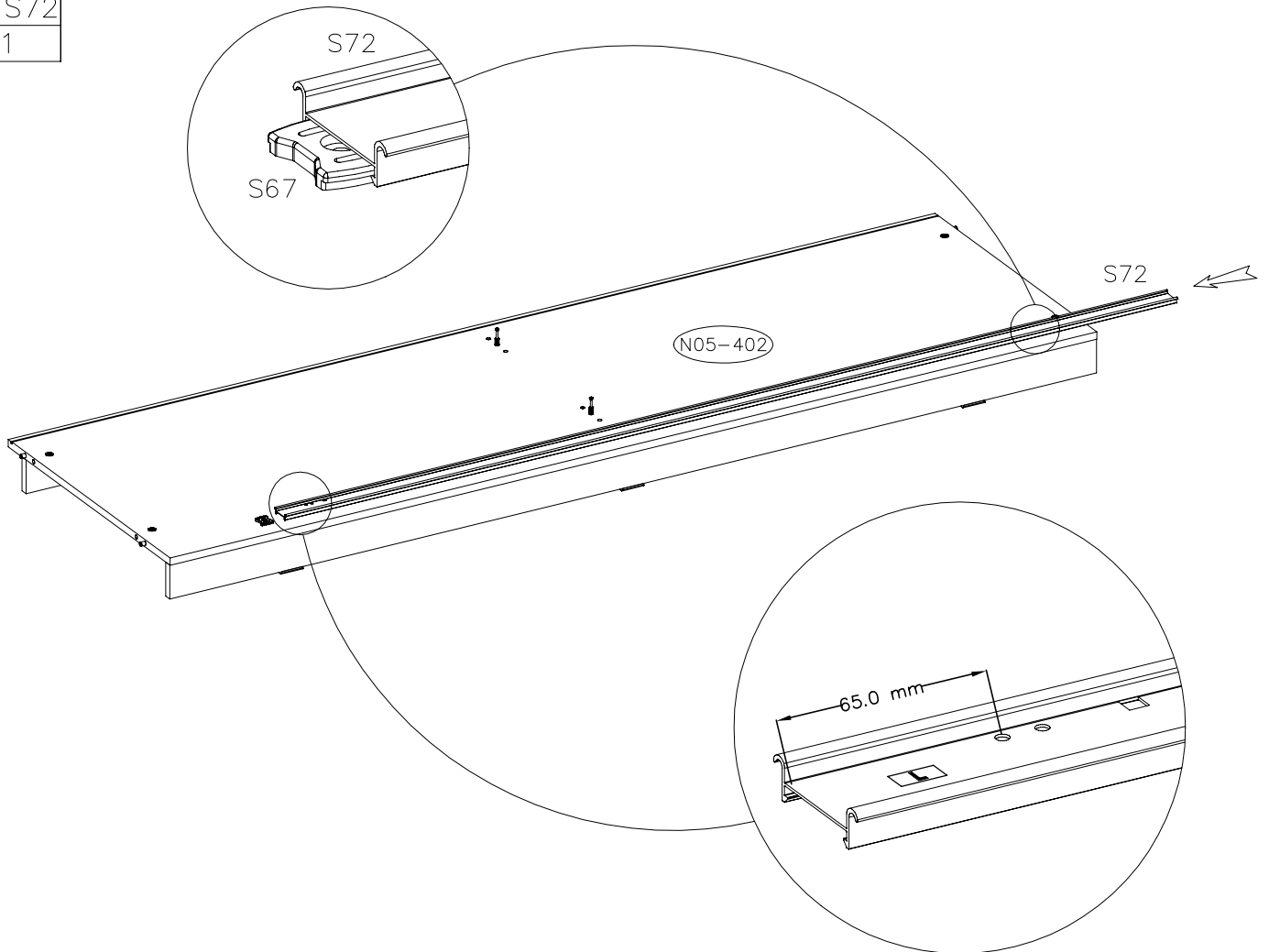
 B	 S67	 8.0x30 D	 4.0x16 W10	 A
4	4	4	4	2

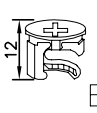

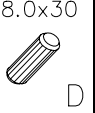


2



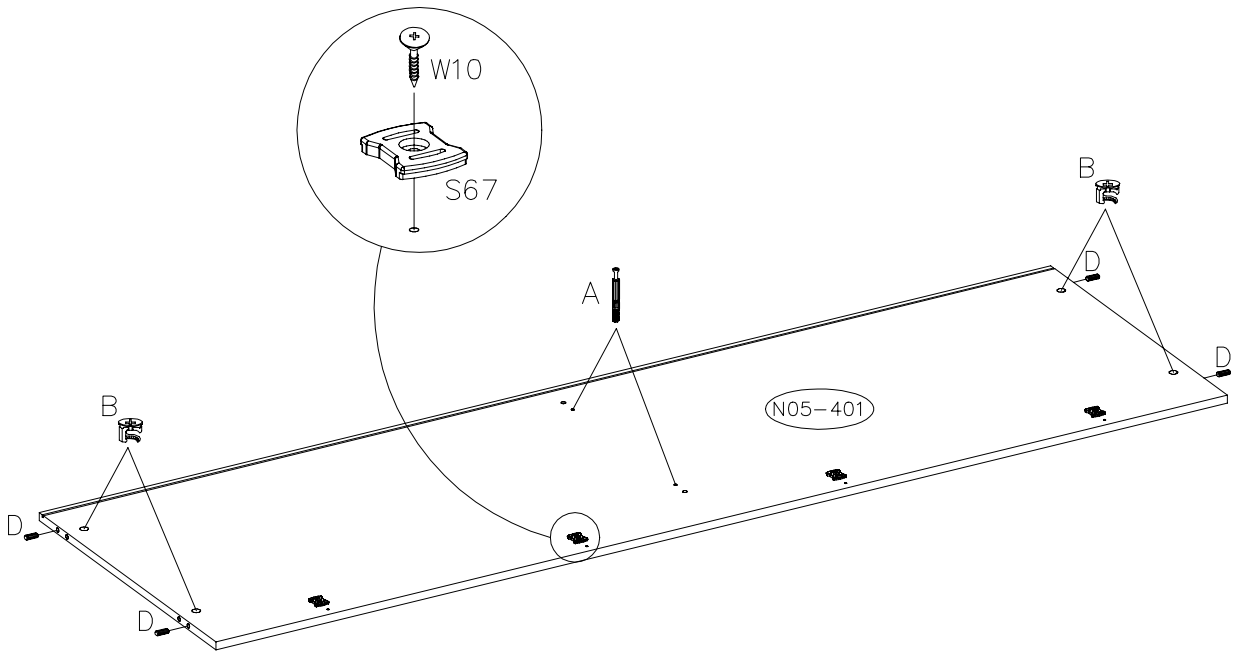
 S72
1

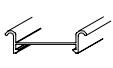
3



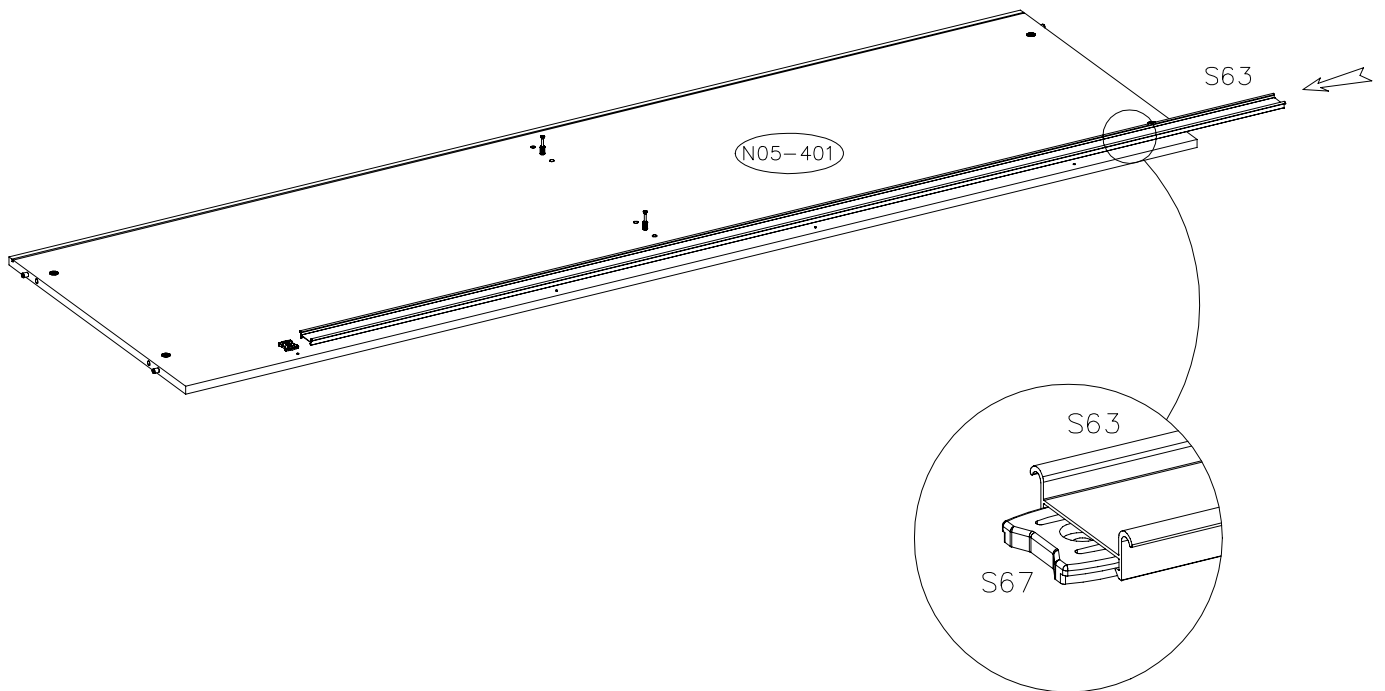
 B	 S67	 8.0x30 D	 4.0x16 W10	 A
4	4	4	4	2

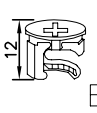
4

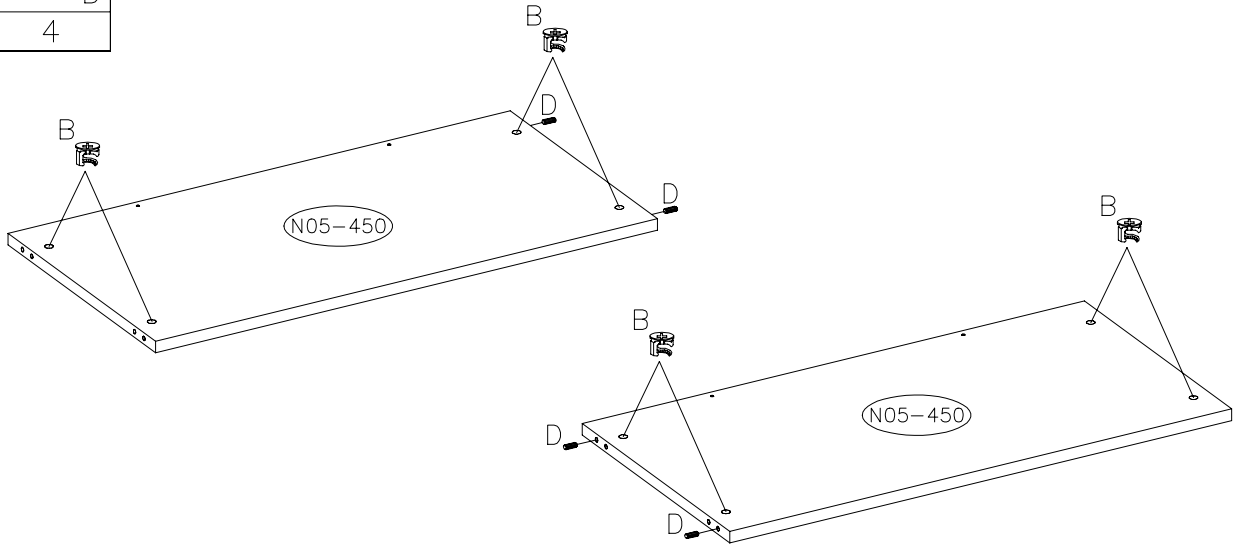



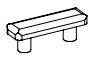
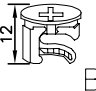

S63
1

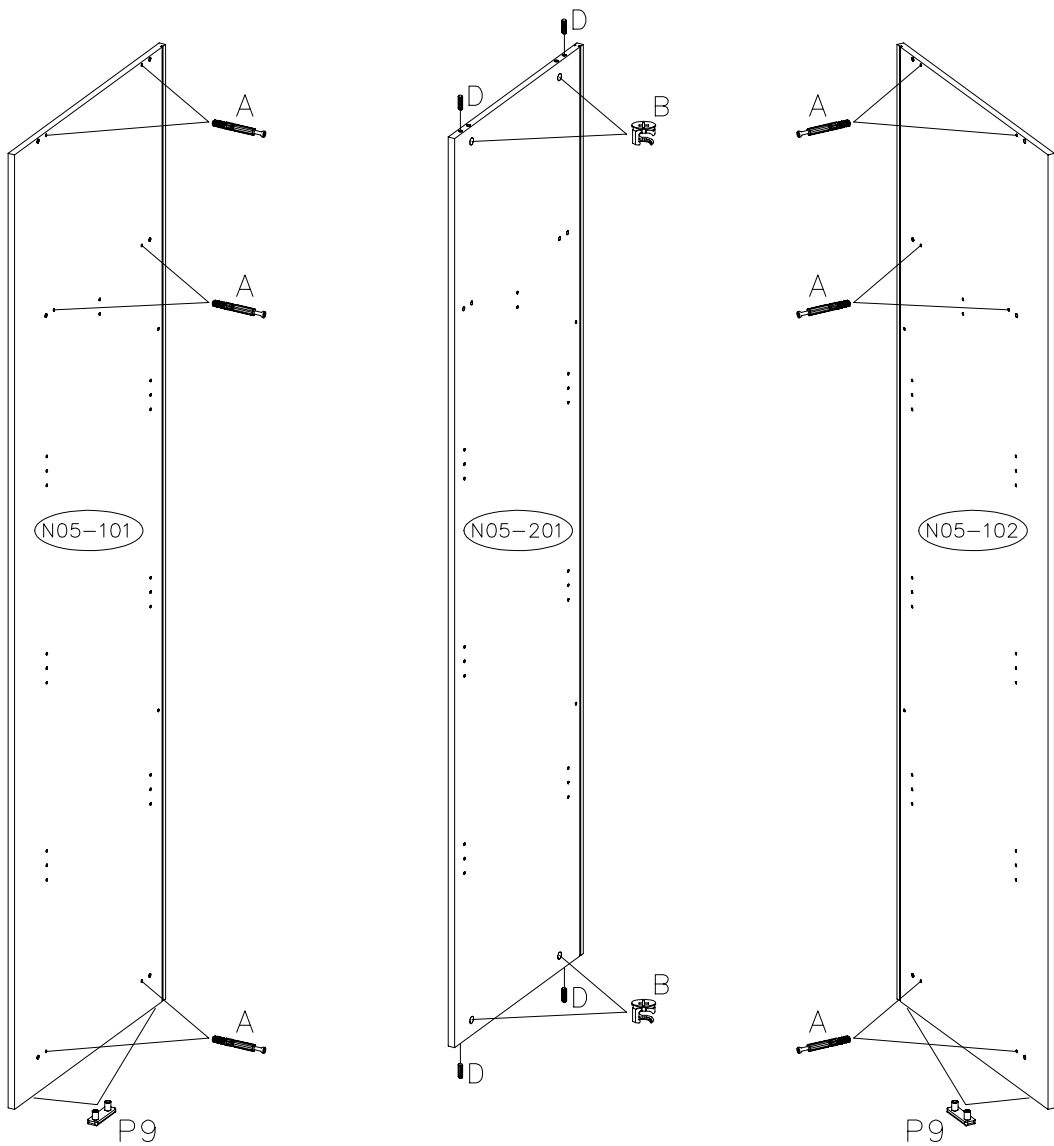
5



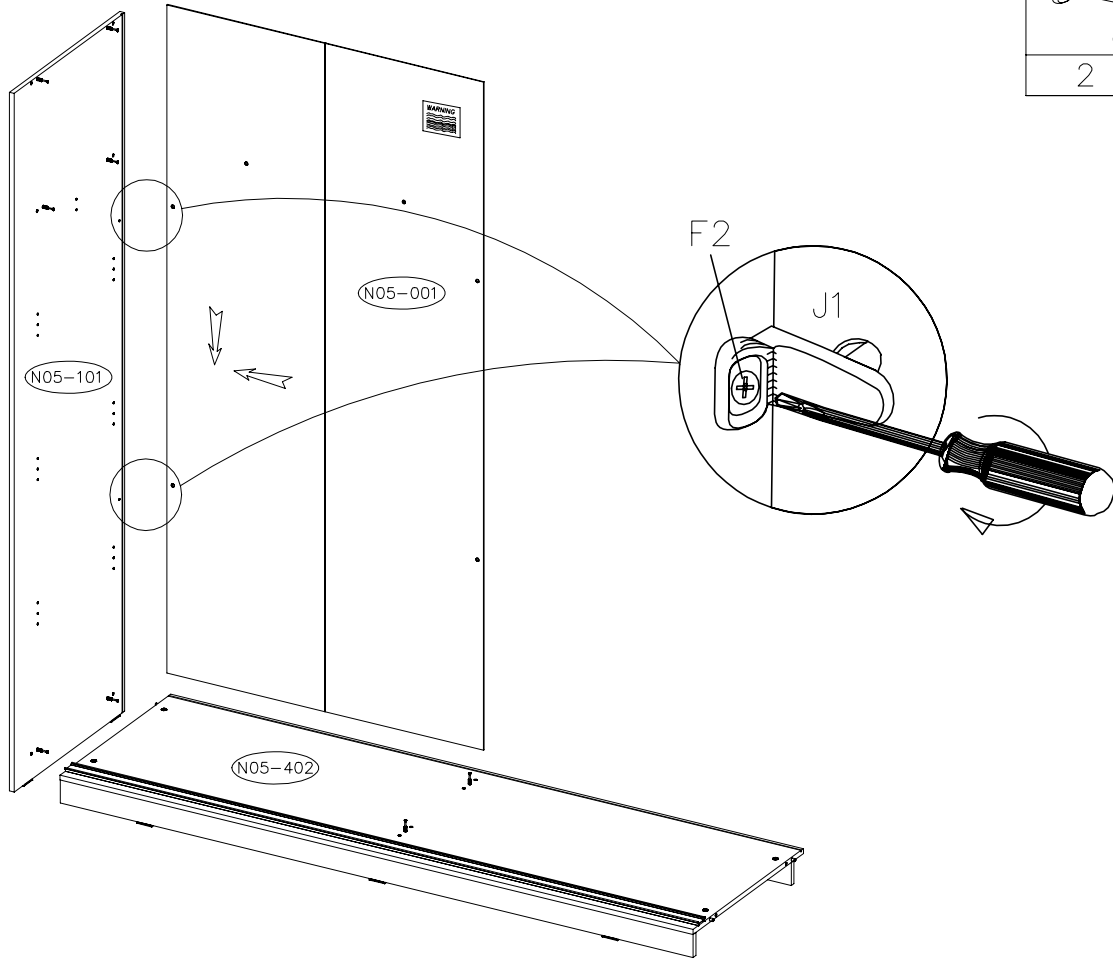
	8.0x30
B	D
8	4




			8.0x30
A	P9	B	D
6	2	4	4

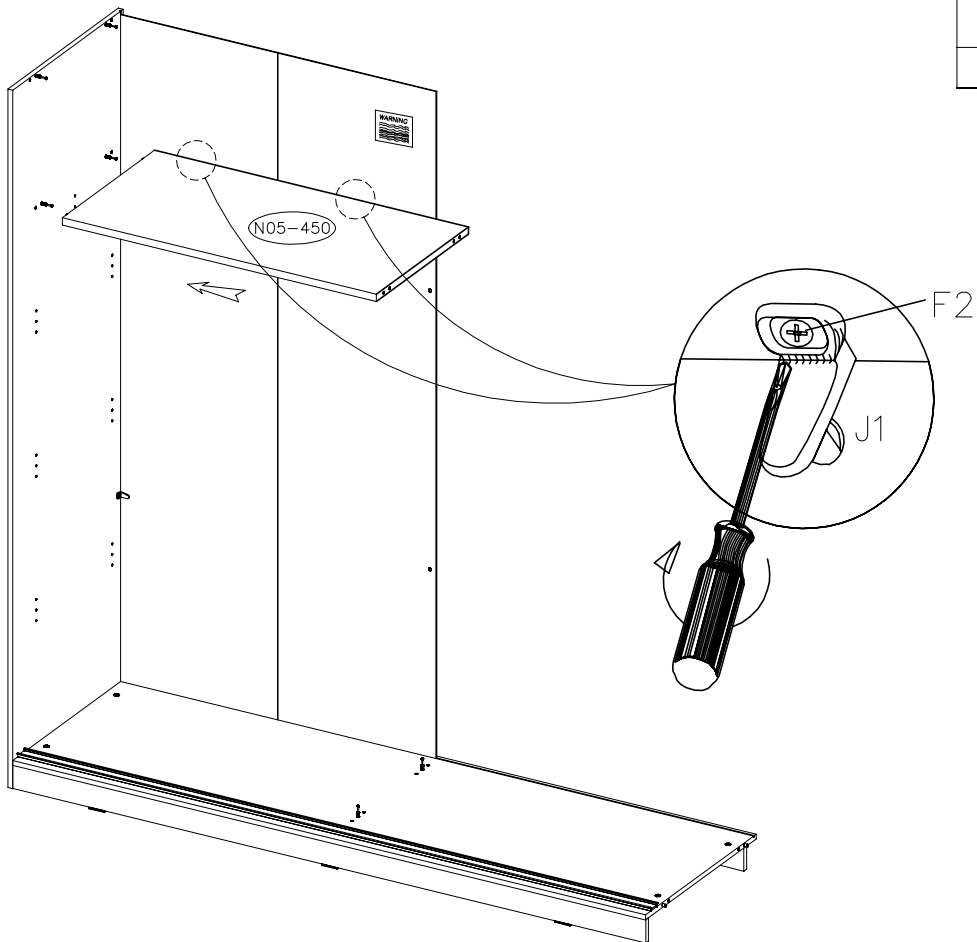



8





	6.3x11
J1	F2
2	2

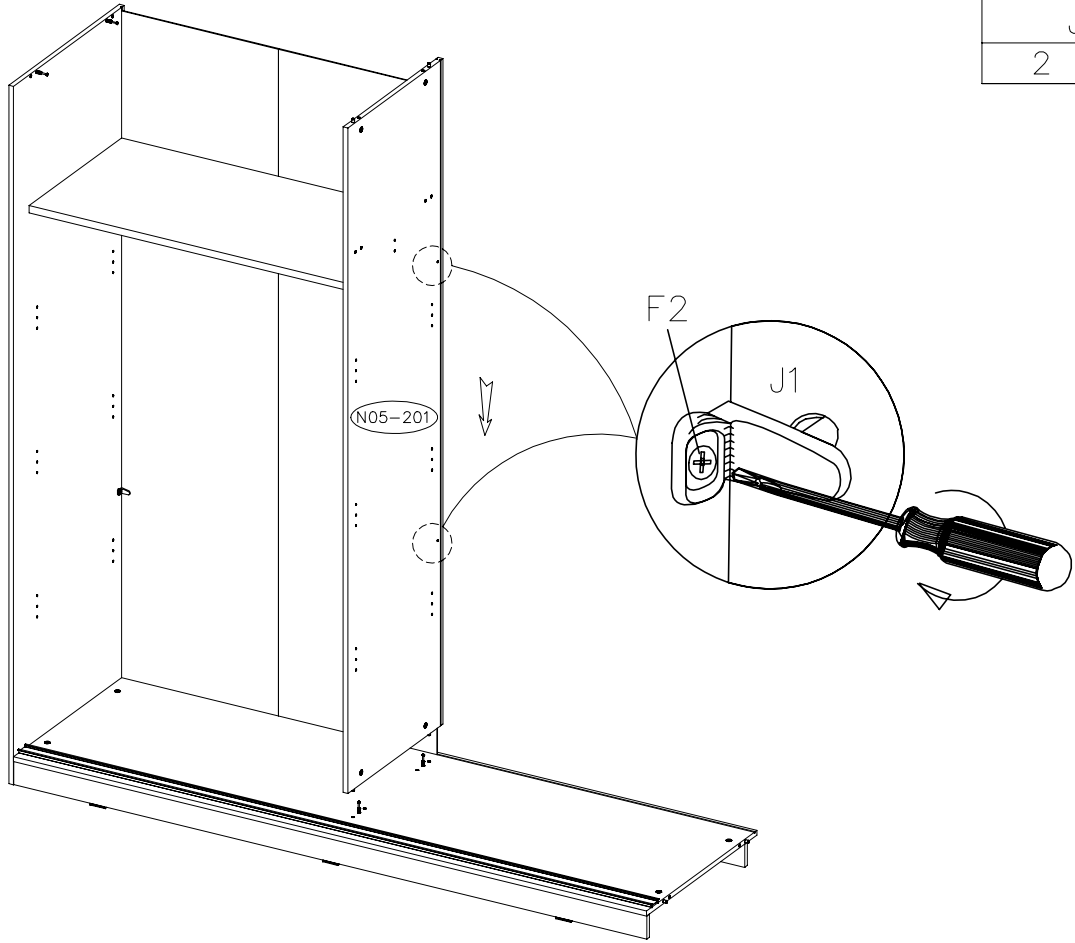
9



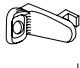

	6.3x11
J1	F2
2	2

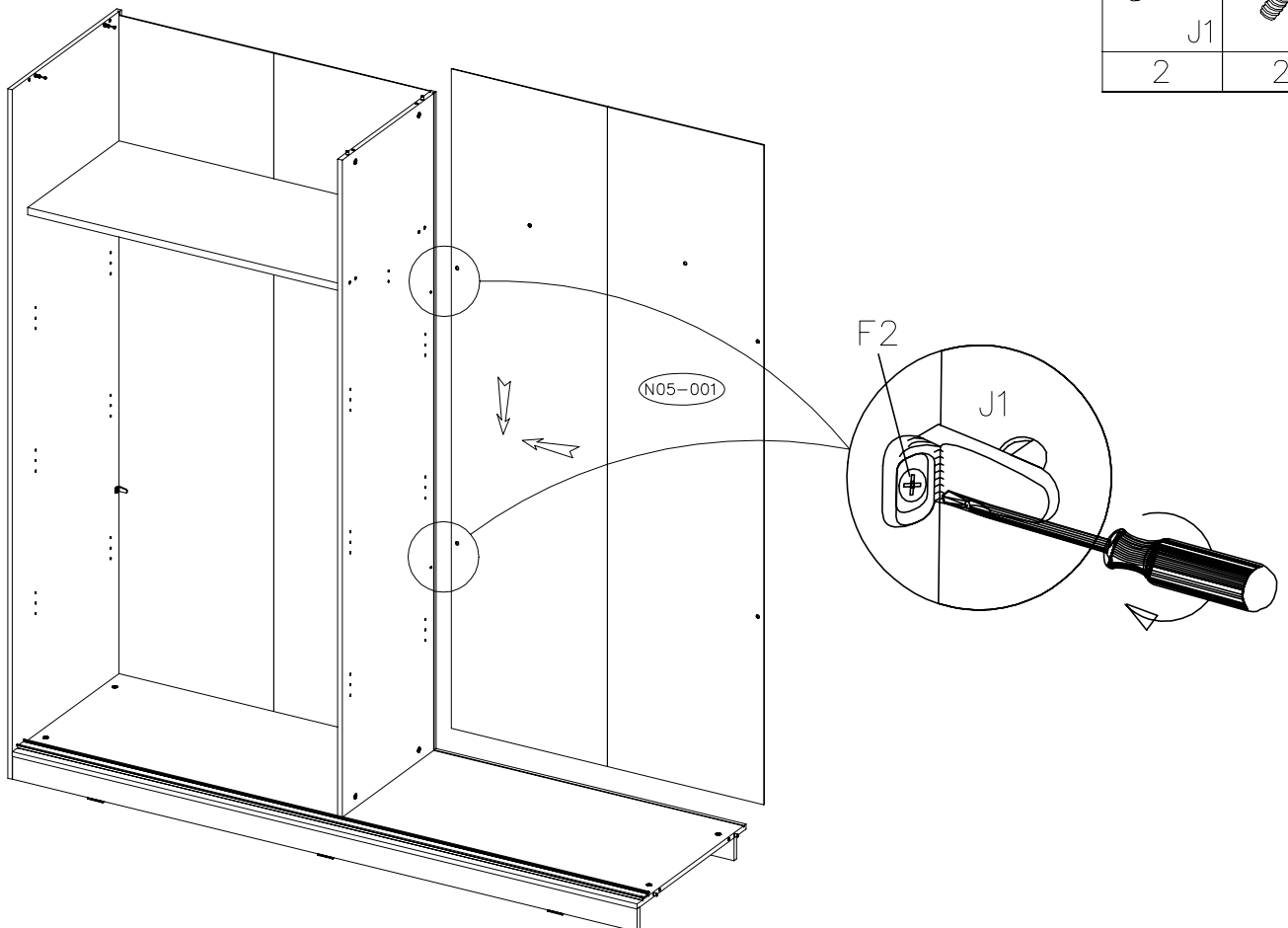
10

	6.3x11
J1	
2	2

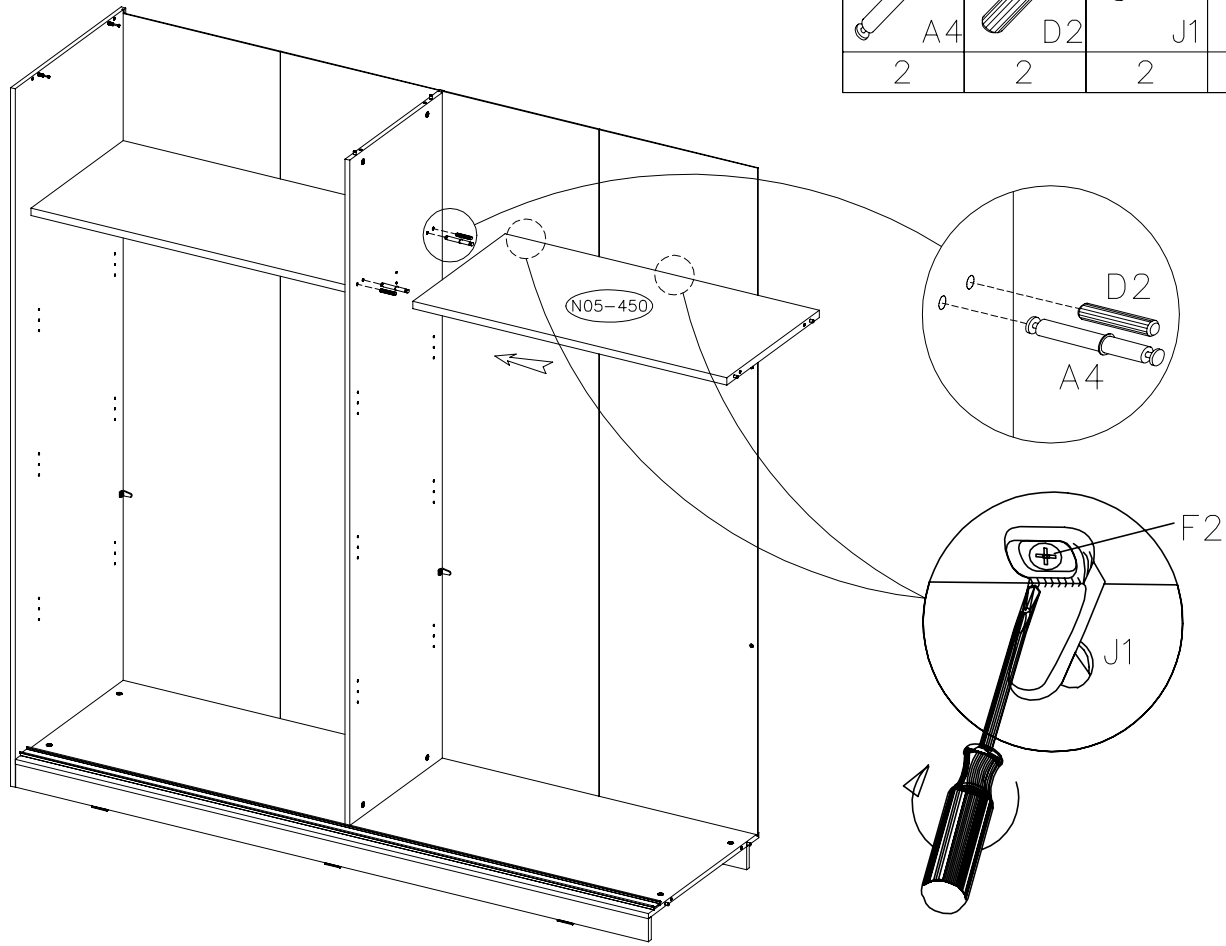


11

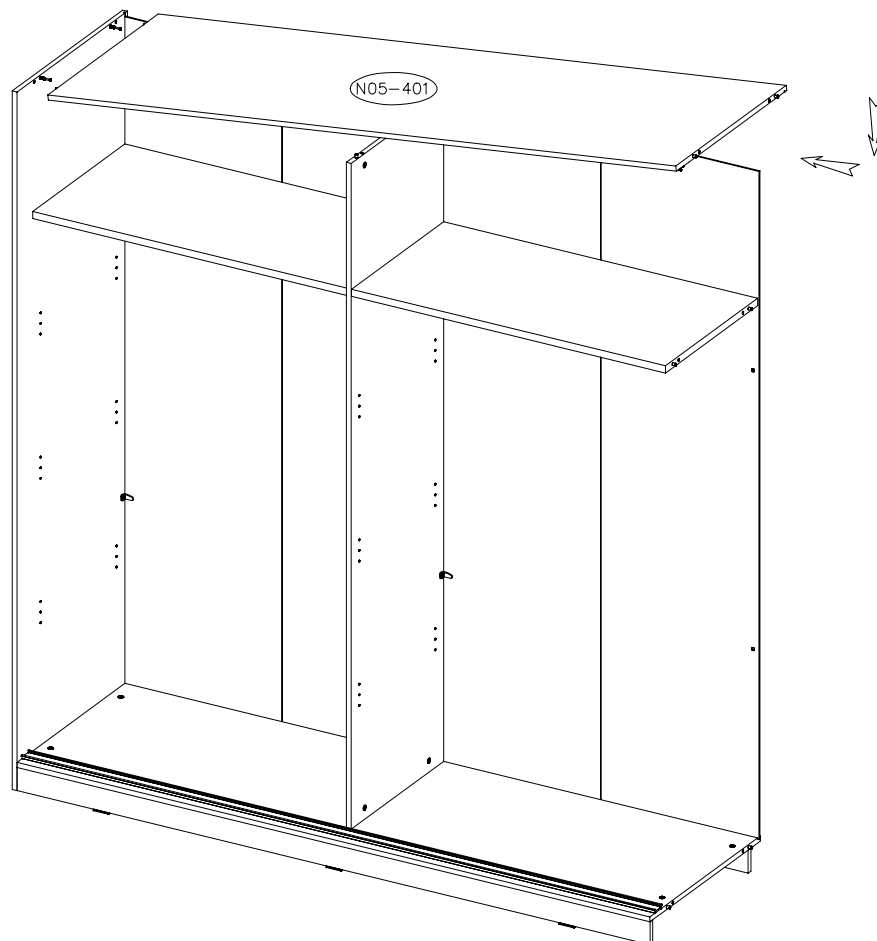
	6.3x11
J1	
2	2




12

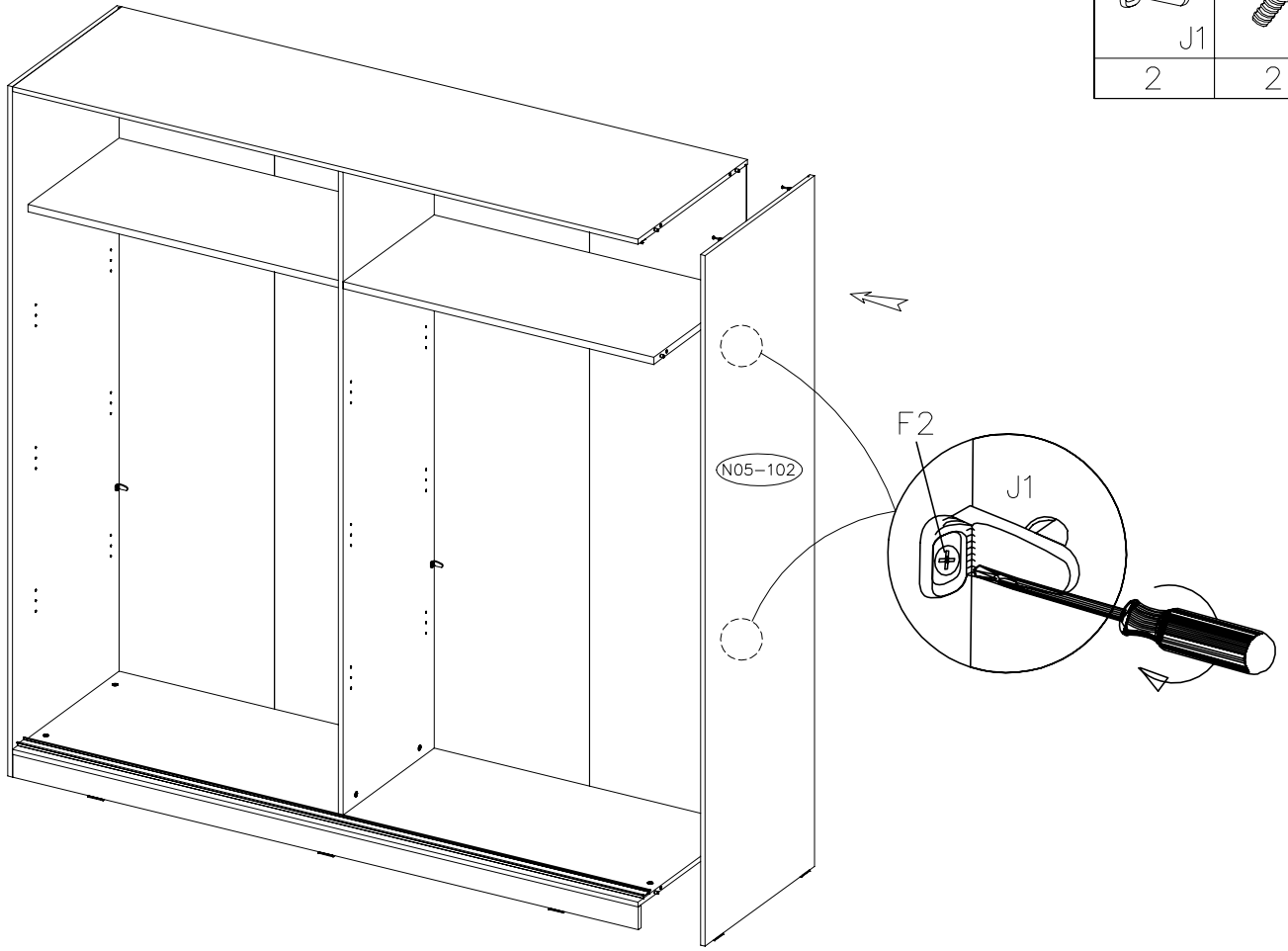


13


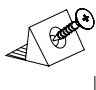


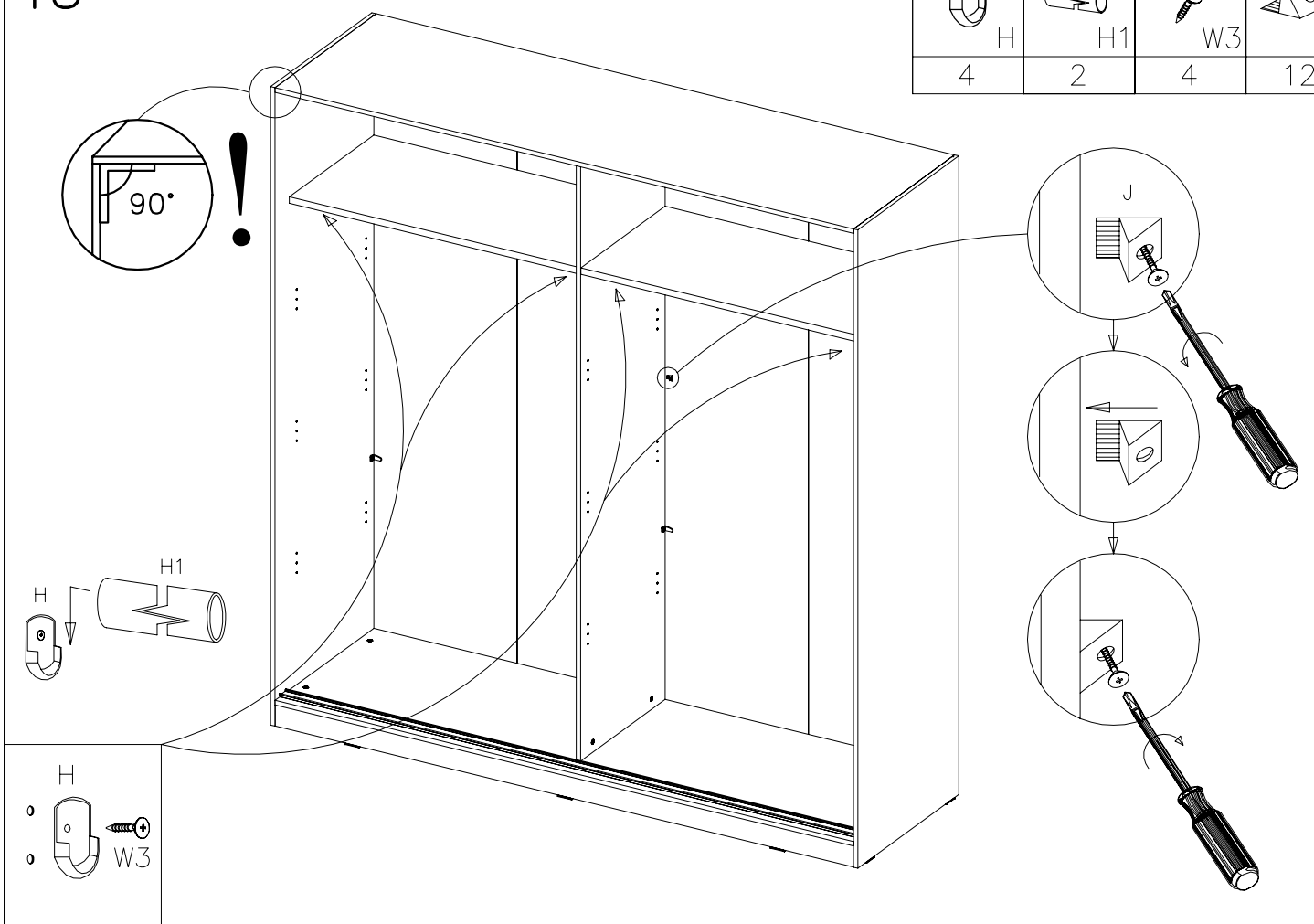
14

	6.3x11
J1	F2
2	2





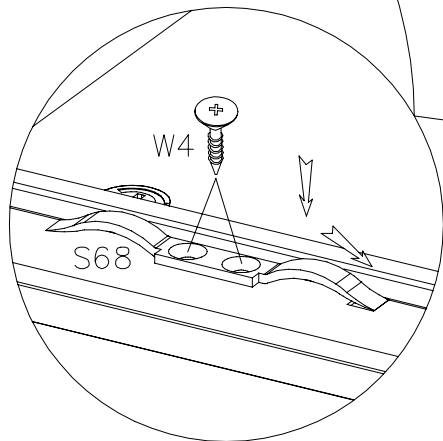
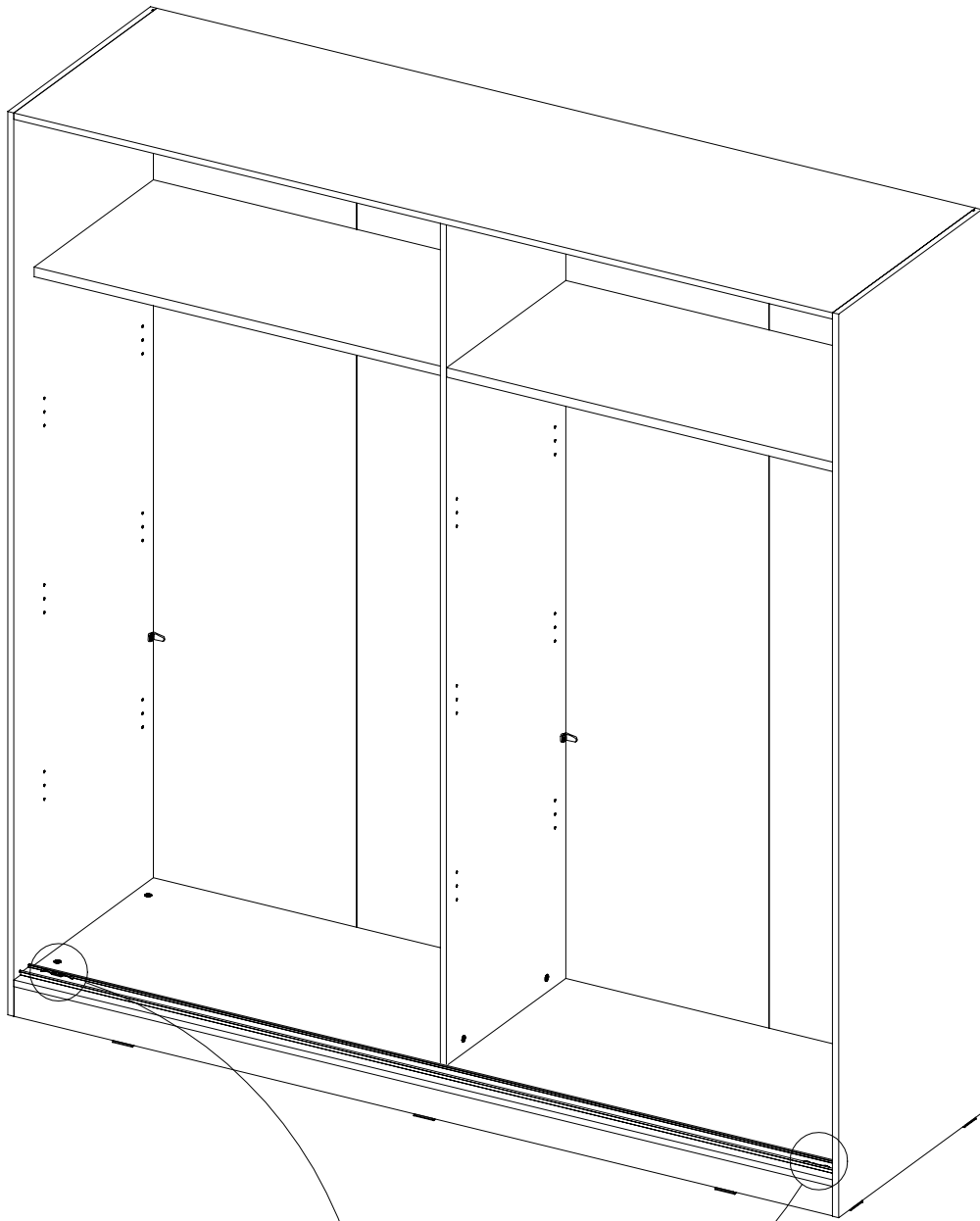
15

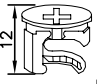
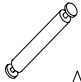
	L-987	3.0x13	
H	H1	W3	J
4	2	4	12

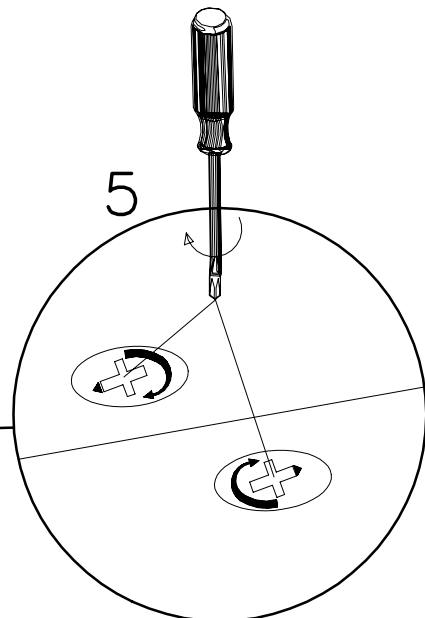
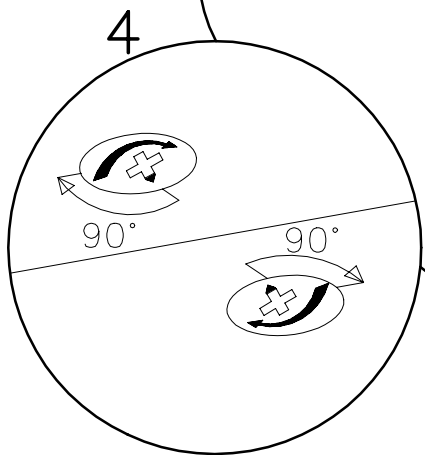
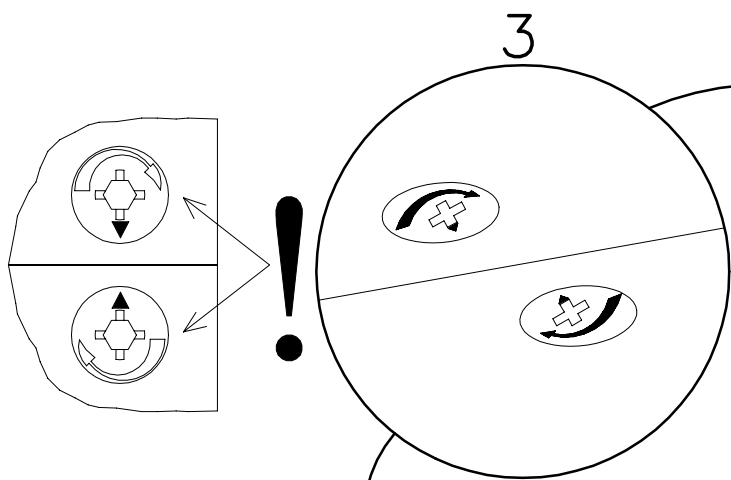
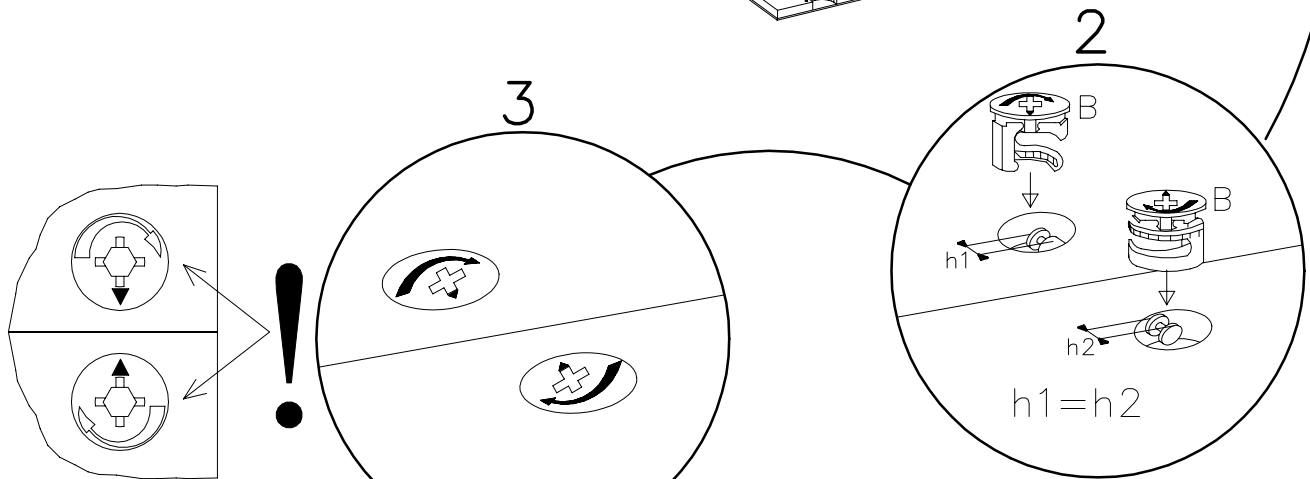
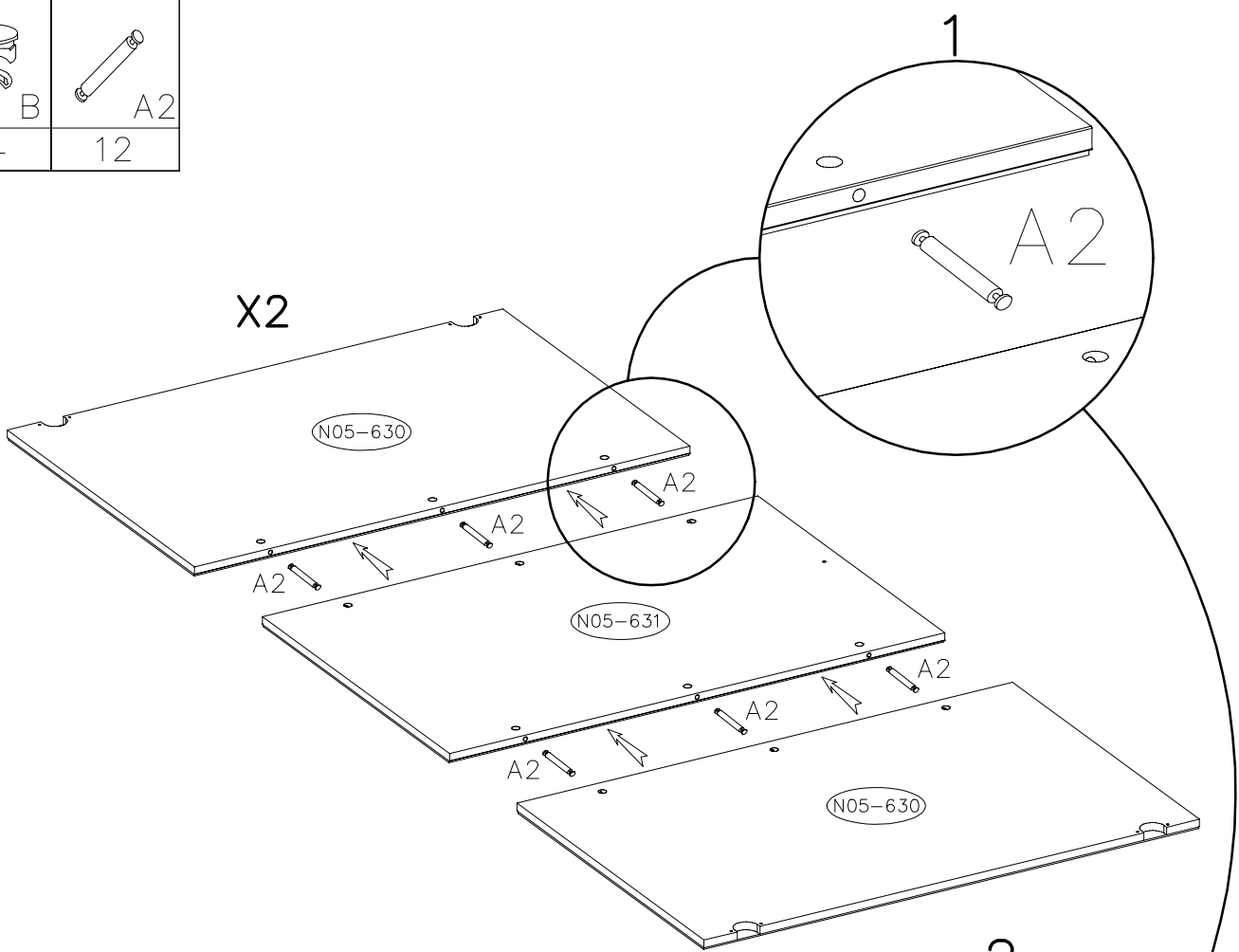


16

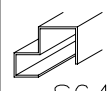


	3.0x15
S68	 W4
2	4

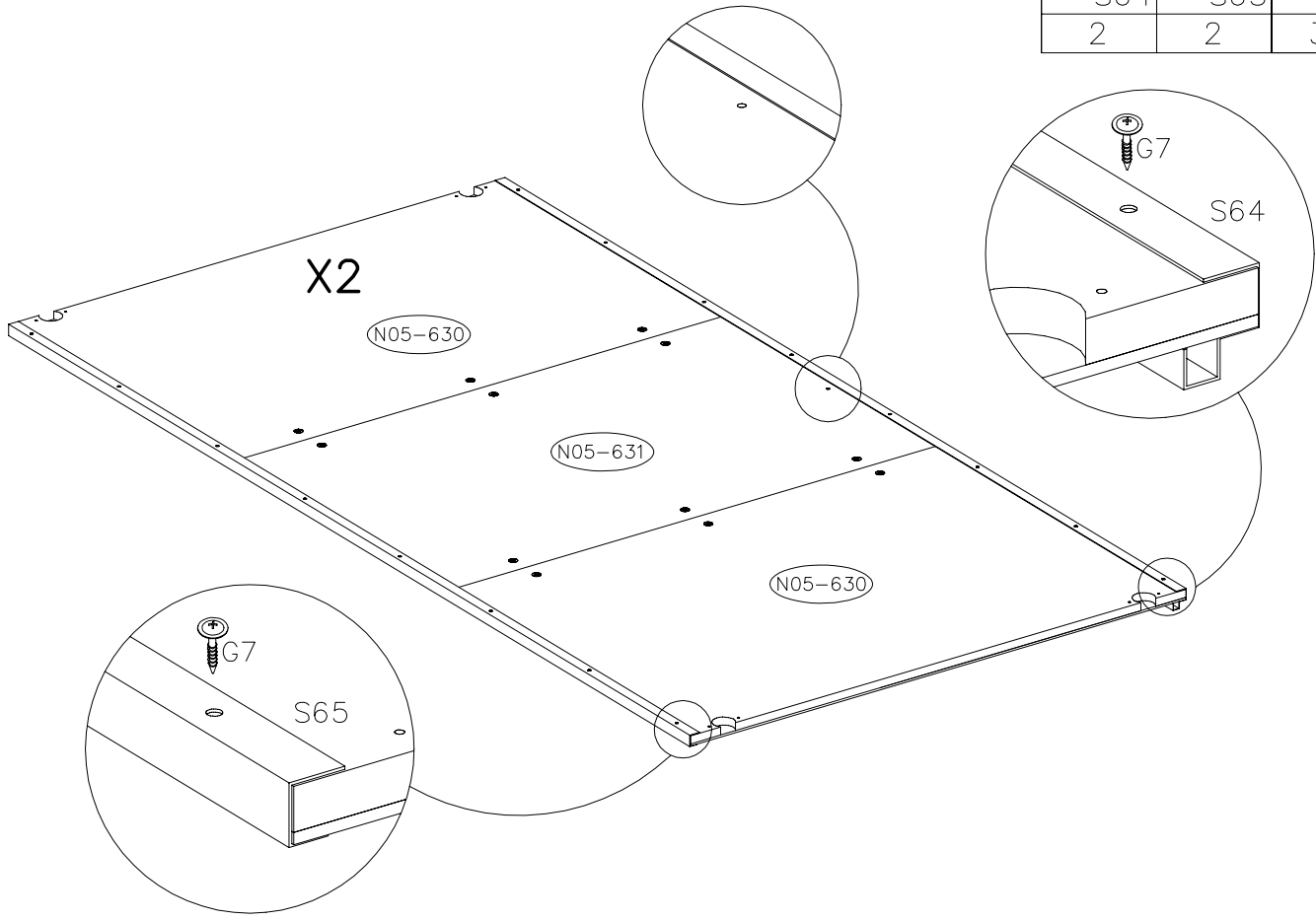


	
B	A2
24	12





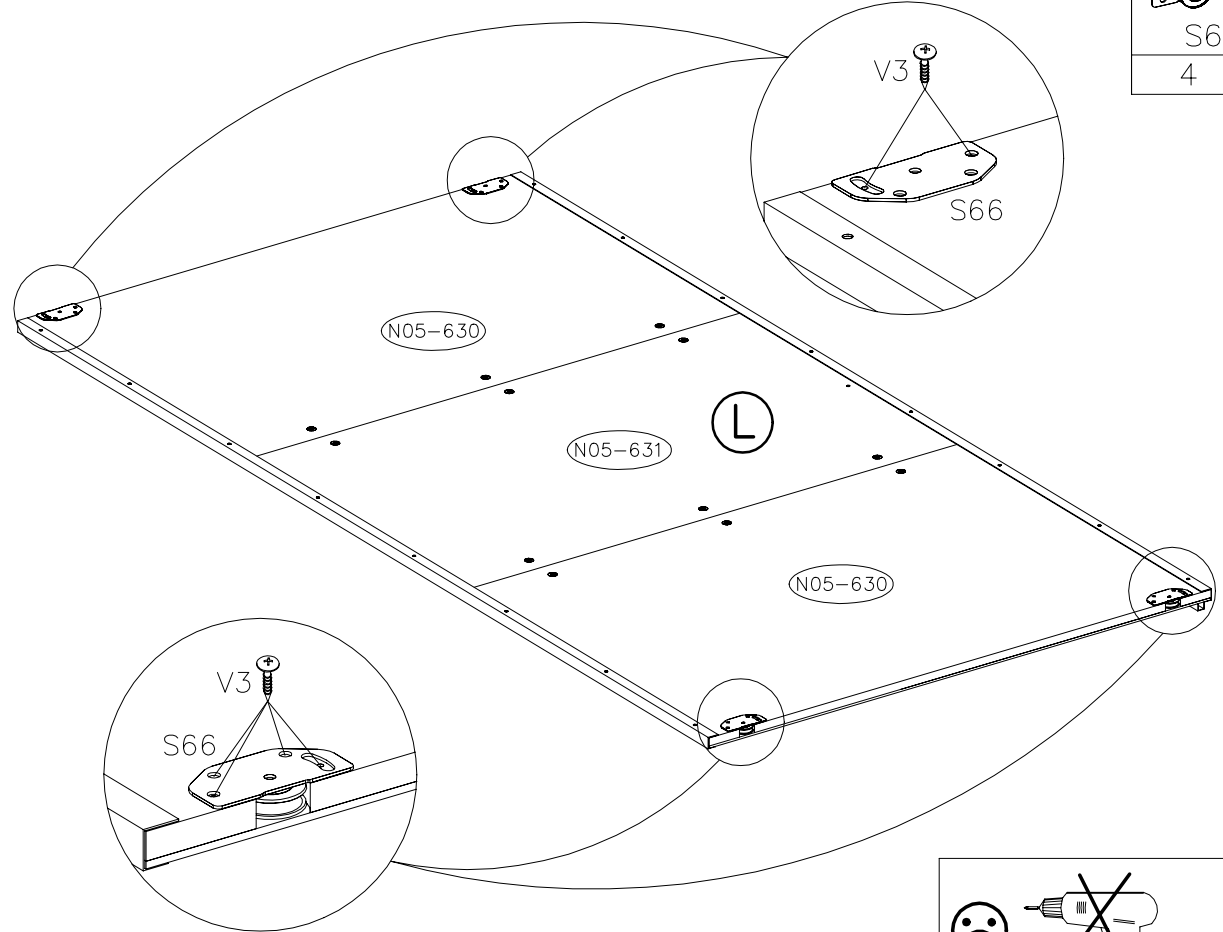
18


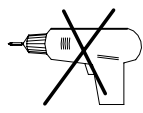
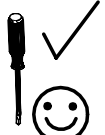

		
S64	S65	G7
2	2	32



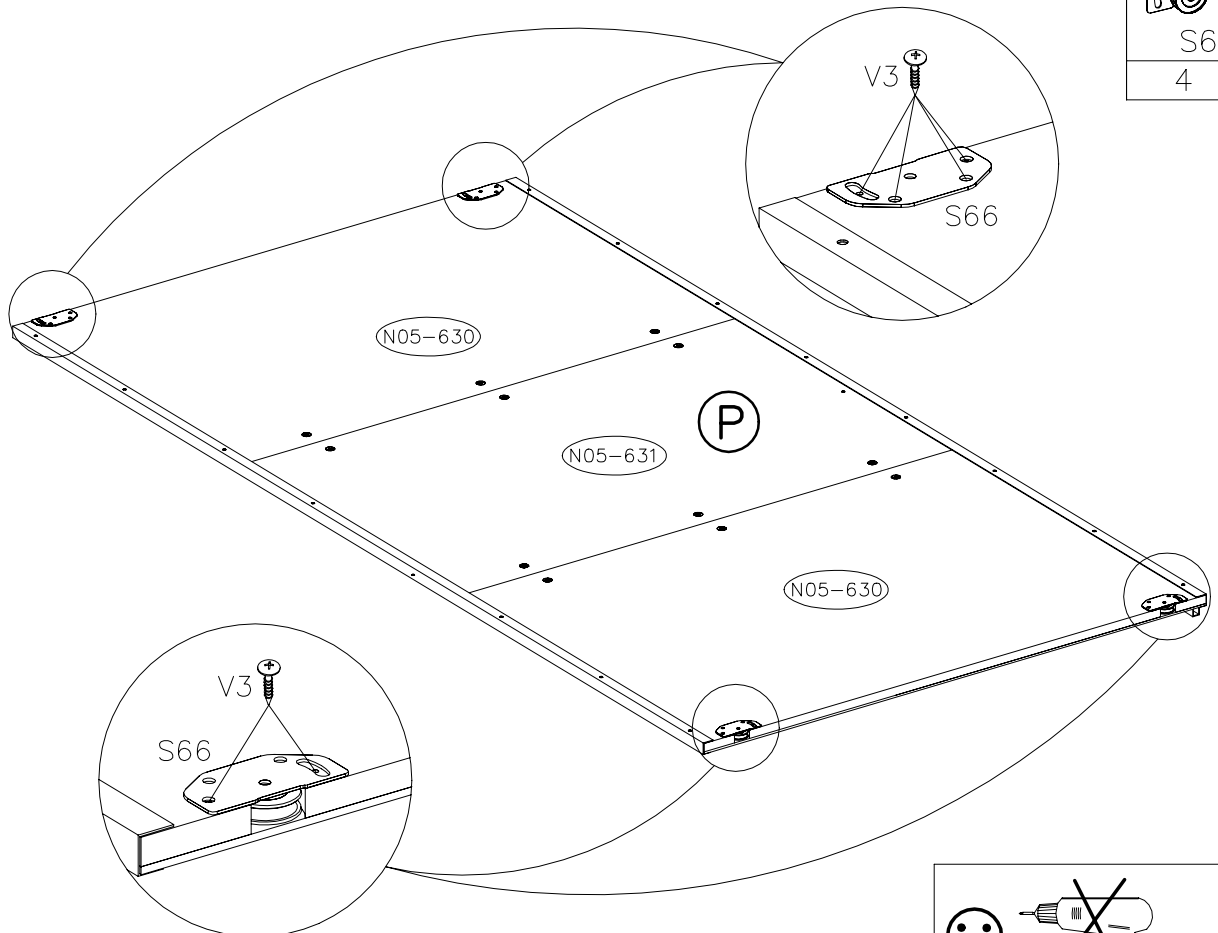
19


	
S66	V3
4	12


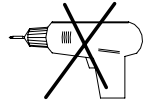




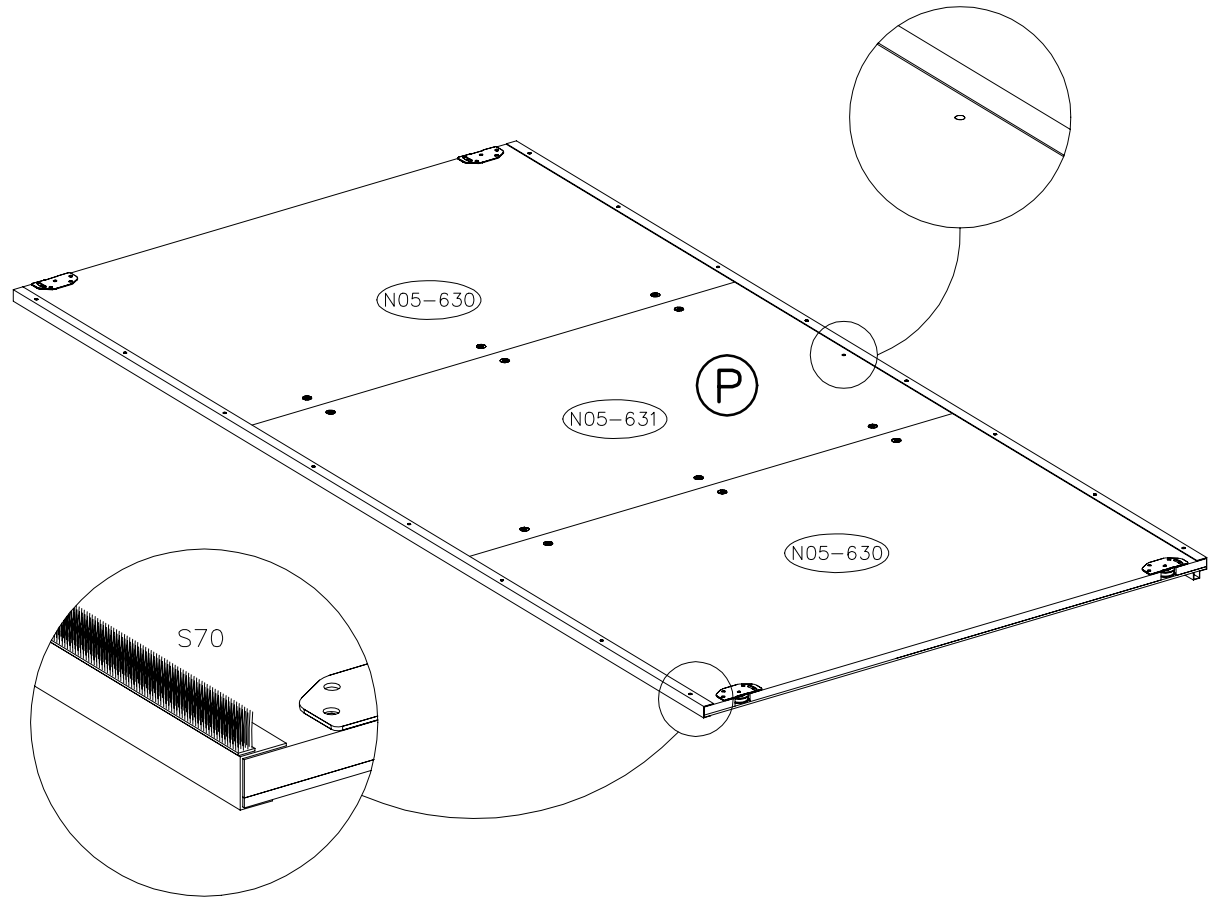
20

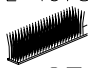


	4.0x13
S66	V3
4	12

21



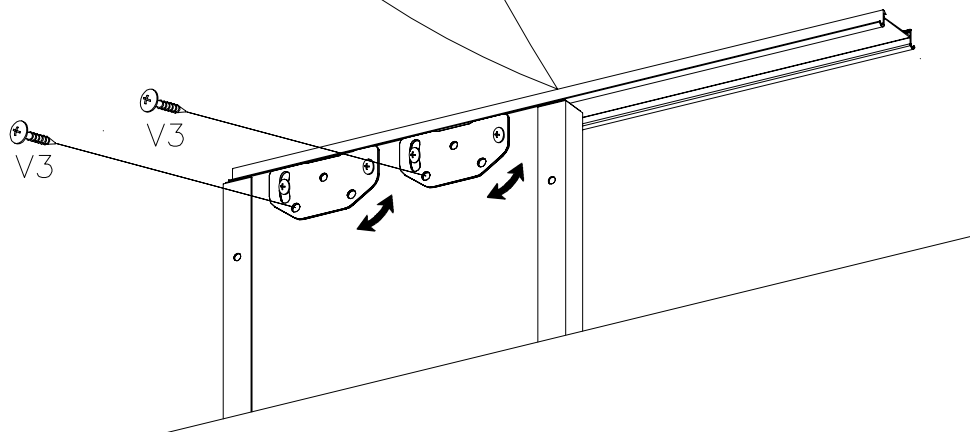
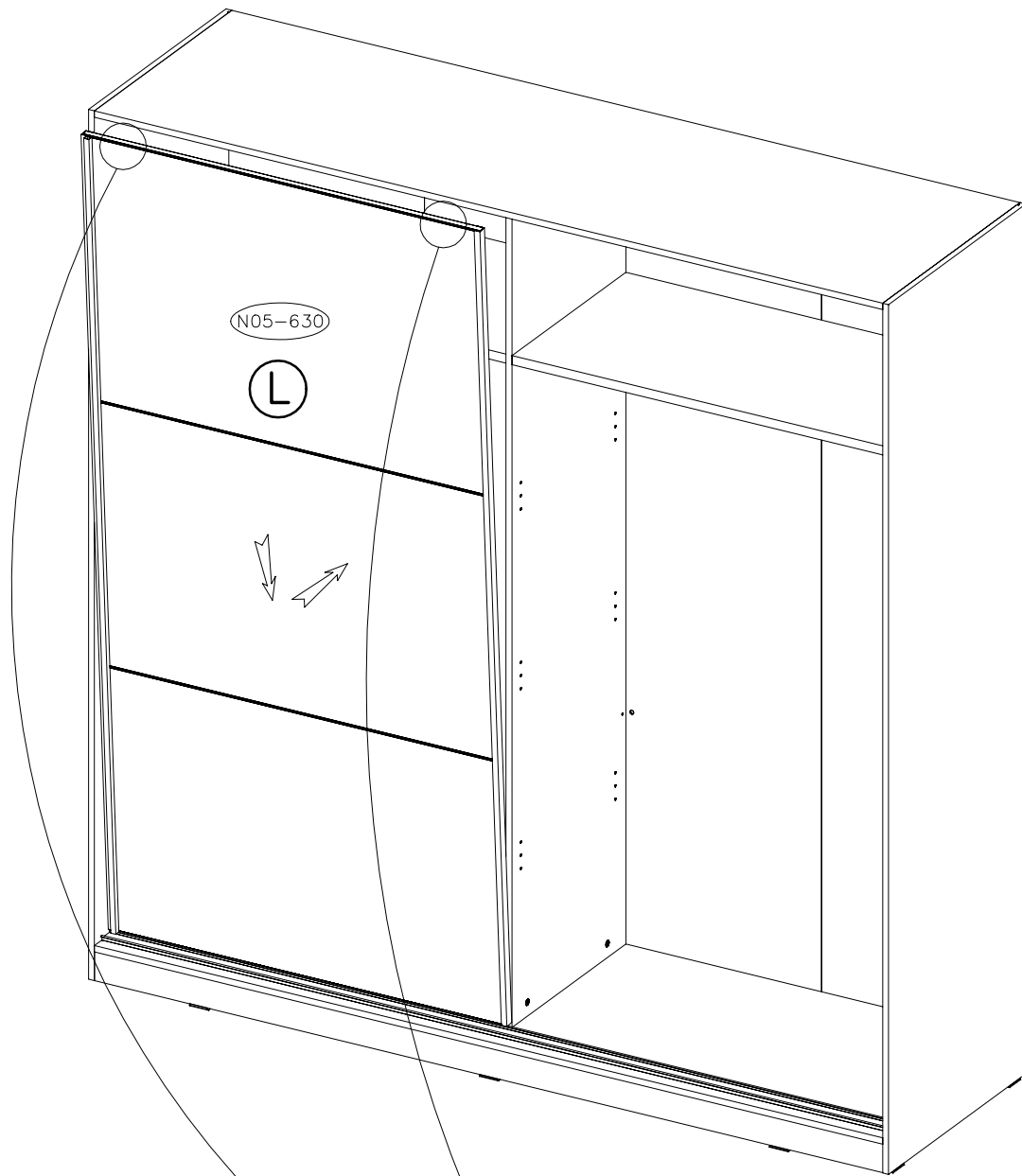
L-1978

S70
1



4.0x13

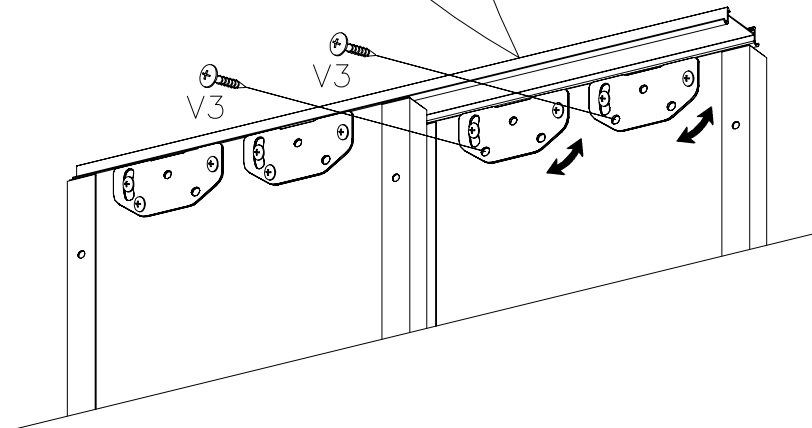
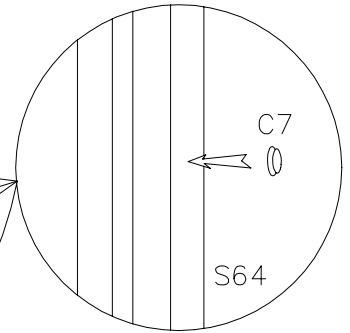
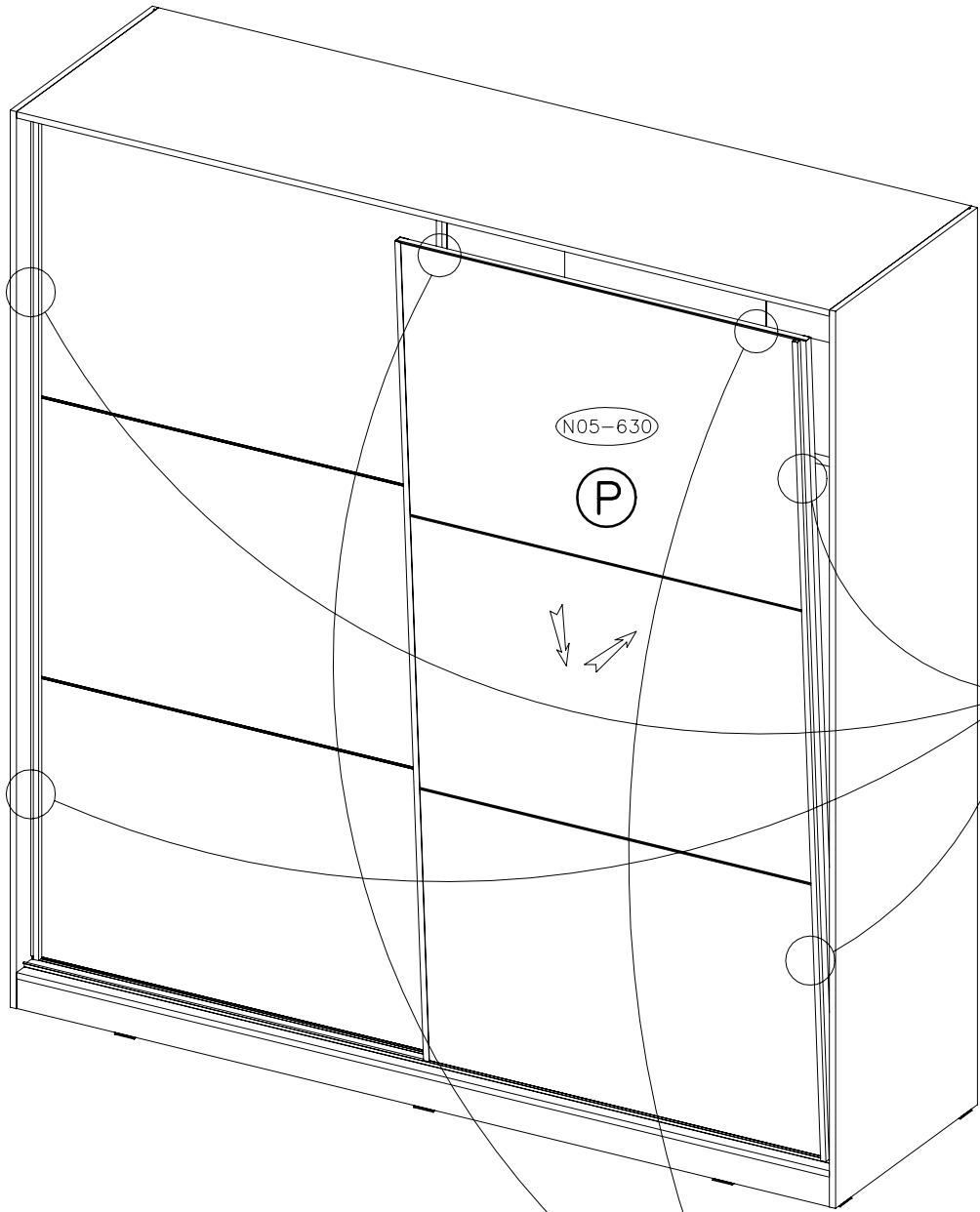


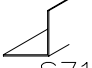

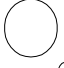



V3

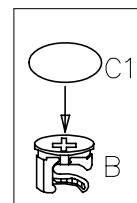
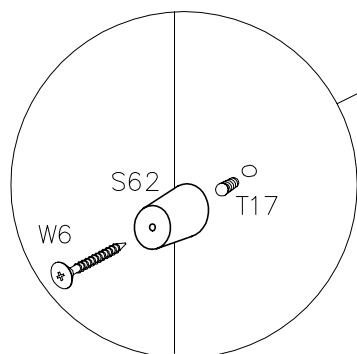
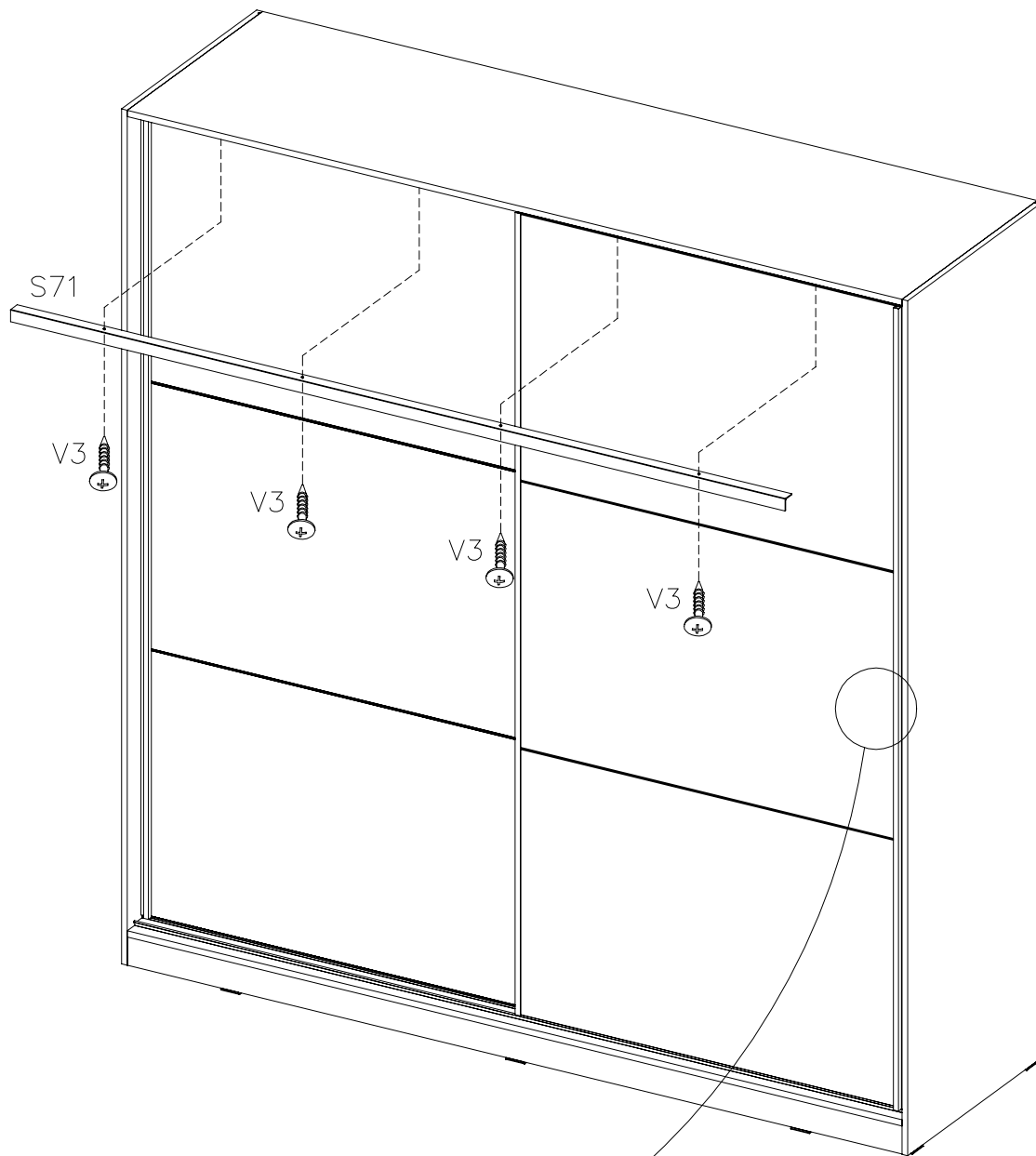
2

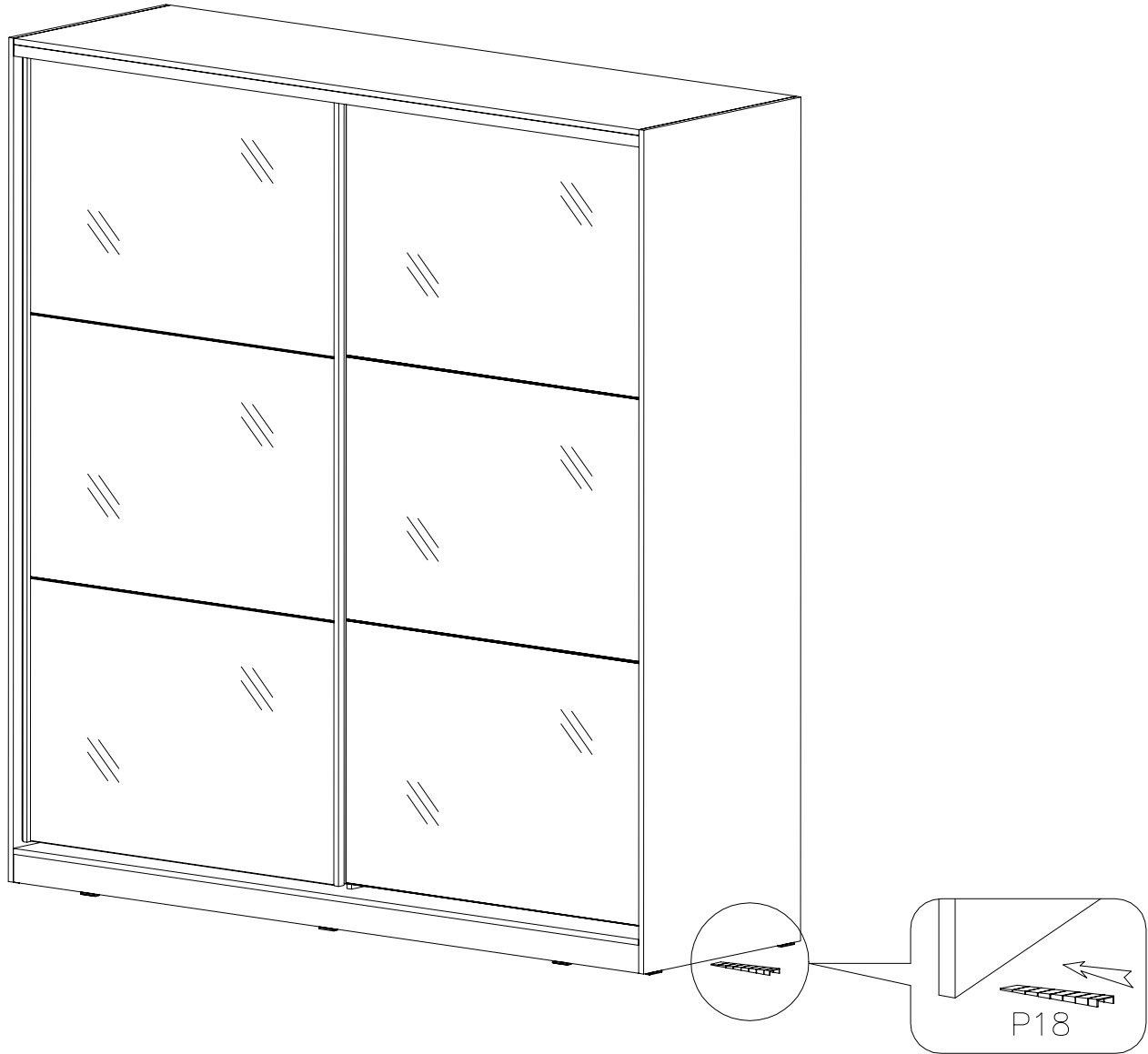


4.0x13  V3	 C7
2	4



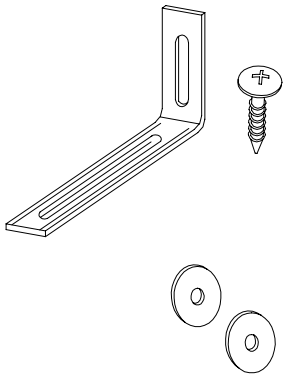
L-2000  S71	4.0x13  V3	 C1	 S62	4.0x35  W6	 T17
1	4	20	1	1	1





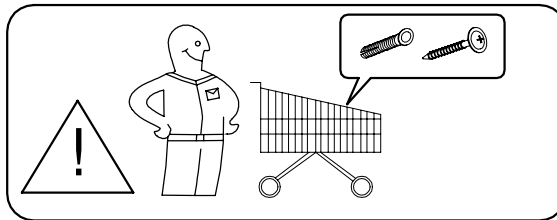
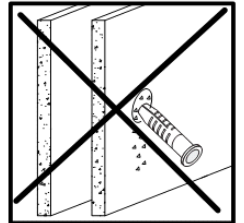
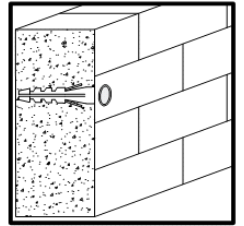


Dear customer once the unit has been assembled please place your piece of furniture in the desired place.
Please use the levelling wedges provided with the product to ensure the frame is sat level on your floor before the final stage of setting up the adjustable hinges on the doors.

1



 Uwaga • Upozornini • Achtung • Attention • Caution • Figyelem Attenzione • Opgelet • Внимание • Atentie • Upozornenie • Dikkat 	
PL	Mocowanie do ściany jest jednocześnie zabezpieczeniem przed przewróceniem – koniecznie zamontować!
CZ	Do některých druhů stěn koniečně použít speciální hmoždinka. Montáž na stěnu slouží jako ochrana proti převrácení – bezpodmínečně umístěte! U některých typů stěn může být zapotřebí speciální hmoždinka!
D	Wandbefestigung dient als Kippschutz – unbedingt anbringen! Bei einigen Wandtypen kann ein Spezialdübel erforderlich sein!
GB	The wall fastening serves to prevent tipping – be absolutely sure to mount it! For certain wall types, a special wall plug may be necessary!
FR	La fixation murale sert de protection contre le basculement – à installer impérativement ! Pour certains types de murs il faut des chevilles spéciales !
NL	Bevestiging aan de muur dient als kantelbescherming – zeker en vast bevestigen! Bij enkele muurtypen is een speciale plug misschien vereist!
IT	Il fissaggio alla parete serve da protezione anti-ribaltamento – attaccarla assolutamente! Per alcune strutture di parete può essere necessario un tassello speciale!
HU	A termékét a falhoz kel rögzíténi, különben az felborulhat! Egyes faltípusoknál speciális tiplít kell használni!
RU	Обязательно установите крепление на стене во избежание опрокидывания! Для некоторых типов стен может потребоваться специальный дюбель!
RO	Sistemul de fixare la perete serve, te ca protecție la răsucire – de montat obligatoriu!
SK	Pre niektoré typy stien, ktoré sú potrebné, je potrebné použiť špeciálnu hmoždinku. Upevnenie na stenu slouží ako ochrana proti prevráteniu – bezpodmienečne použite!
TR	Duvardaki sabitleme, devrilmeye karşı, bir emniyet tedbiridir ve mutlaka monte edilmelidir! Bazı duvar tiplerinde bunun için özel bir dübel gerekli olabilir!



2

